



Product Catalog 1050

ELECTRIC MOTORS, GEARMOTORS AND DRIVES
Sub-Fractional to 700 HP



FOCUSED ON THE FUTURE

A Regal Brand

REGAL

New Stock Ratings

High Efficient Eco-AG,
Farm Duty,
Single Phase Motors see page 172

Premium Efficient Eco-AG,
Farm Duty,
Three Phase Motors see page 172

Higher HP SST Stainless
Motors – to 30 HP
(Available 4th QTR. 2012)..... see page 156

Carbonator Pump Motors see page 116

Unit Handling Motors..... see page 252

Export Only Motors..... see page 253

Higher HP Explosion
Proof C Face Motors see page 101

Table of Contents

Agricultural Duty Motors

High Torque	Pages 171, 182
Eco-AG Series / Premium Efficient	172
Extra High Torque	173
Fan Duty / Crop Dryer.....	174
Grain Stirring	178
Catfish Pond	178
AG - Pump Duty.....	179
Milk Transfer Pump	179
Feed Auger Duty.....	180
Feather Picker.....	181
Hatchery / Fan Duty.....	181

Automotive Duty Motors104 - 111

Brakemotors

General Purpose	257
Washdown Duty	260
Breakmotor Kits	261

Definite Purpose Motors

Compressor Duty.....	231
Pressure Washer Duty.....	233
Woodworking Duty	235
Instant Reversing	237
Boat Hoist Duty	239
Two-Speed	240
Crusher / Quarry Duty.....	241
Elevator Duty	243
Unit Handling	252
Export Only	253

Explosion Proof Motors

Single Phase	98 - 100
Three Phase	101 - 103

General Purpose Motors

Single Phase Drip-Proof Motors

General Purpose	6 - 9
Premium Efficient - Fan Duty.....	10
Compressor Duty.....	11
Pressure Washer.....	12
Resilient Base	13

Single Phase Totally Enclosed Motors

General Purpose	16 - 17
Premium Efficient.....	18
Resilient Base Mount.....	19
Pressure Washer.....	19

Single Phase C Face Motors

General Purpose - Drip-Proof & TEFC	20 - 27
Pressure Washer.....	28
Unit Handling	29

Three Phase Drip-Proof Motors

General Purpose	30 - 38
Compressor Duty.....	39
Resilient Base Mount.....	40
F2 Mount.....	41
Automatic Overload Protected	41

Three Phase Totally Enclosed Motors

General Purpose	42 - 52
Resilient Base Mount.....	53
Compressor Duty.....	54
TENV Enclosure	55
F2 Mount.....	56
SUB-FHP Inverter Rated	57

Three Phase C Face Motors

General Purpose - Drip-Proof & TEFC	58 - 75
---	---------

HVAC / Fan Motors

Resilient Base	187
Premium Efficient.....	188
Multi-Speed	190

Table of Contents Continued

Aeration Fan	Page 192	IEC / Metric	288
Ventilation Fan	193	Low Voltage	Page 292
Condenser Fan	194	Low Voltage Metric	293
Split Phase	195	SUB-FHP Low Voltage	294
Pedestal Fan	196	Commercial Duty	295
Two-Speed	197	Stainless Washdown Duty	296
Agricultural Duty	199	Gearmotors	
Grain Dryer	201	DC Gearmotors	
Crop Dryer	202	Parallel Shaft, PZ SCR & Low Voltage	301
IEC / Metric Motors		Parallel Shaft, P300 - SCR & Low Voltage	303
B3 Flange	266	Parallel Shaft, OS300 - SCR & Low Voltage	305
B5 Flange	267	Parallel Shaft, PE350, SCR & Low Voltage	307
B14 Flange	268	Parallel Shaft, P1100	309
575 Volt	269	Right-Angle	311
Metric Motor Kits	270	Parallel Shaft, P300 - Washdown Duty	315
Metric Stainless Washdown	272	Parallel Shaft, PE350 Washdown Duty	317
DC Metric	273	Right-Angle, Washdown Duty	319
Commercial Duty	279	AC Gearmotors	
Inverter Duty Motors		Parallel Shaft PZ	321
General Purpose 2000 : 1 Speed Range	76 - 78	Parallel Shaft P240	323
2000 : 1 With Encoder Feedback	80 - 81	Parallel Shaft, P240 Washdown Duty	325
4 : 1 Speed Ratio	82 - 84	Parallel Shaft, PE350	327
10 : 1 Speed Ratio	85	Parallel Shaft, P1100	329
SUB-FHP - 10 : 1 Speed Ratio	86	Right Angle	330
Encoder Kits	79	Right-Angle Washdown Duty	331
Pump Motors		Inverter Rated - PZ Series	334
Jet Pump - Single & Three Phase	112 - 116	Kits & Accessories	332
JM Pump - ODP & TEFC	120 - 122	AC & DC Controls	
JP Pump - ODP & TEFC	119, 123	DC Drives	
Explosion Proof Jet Pump	116	DC SCR Rated	338, 340
Carbonator Pump	118	DC Low Voltage	340
Washdown Duty Pump	117	DC PWM	339
Fire Pump	124 - 129	DC Dual Mode	341
Severe Duty Motors		AC Drives	
IEEE 841 Motors	89	FHP Series	343
Mill & Chemical Duty	90 - 92	Micro Series NEMA 1	344
Multiguard Motors	93 - 97	Micro Series NEMA 4/12 & 4X	346
Special Voltage		Vector Series NEMA 1	350
575 Volt	209	Vector Series NEMA 4/12	353
200/400 Volt	221	SM Plus Series	354
50 Hz	224	SM Series	357
Medium Voltage	229	SM Vector Series	359
Washdown Duty Motors		Inverter Kits and Accessories	362
General Purpose Epoxy Painted -1 & 3 Phase	130 - 136	Motor Accessories / Kits	
Breakmotors - Epoxy Painted	138	D Flange Kits	364
DC Washdown - Epoxy Painted	142 - 143	C Flange Kits	365
Gearmotors - AC & DC Epoxy painted	144 - 151	Rodent Screen Kits	369
Pump Motors - Epoxy Painted	137	Cast Iron Fan Guard / Severe Duty Kits	369
575 Volt - Epoxy Painted	136	Drip-Cover Kits	370
Lincoln Wash-Thru™ Series	139 - 141	Blower Kits	371
Washdown II Series / Paint Free	153	Encoder Kits	372
SST Stainless - 1 & 3 Phase	154 - 157	Terminal Block Kits	373
Premium Stainless 1 & 3 Phase	158 - 161	Slide Base / Transition Bases	374
Brakemotors - Stainless Steel	162	CE Conversion Kits	375
IEC / Metric Stainless	163	Shaft Grounding Kits	376
DC Stainless	164 - 165	Motor Modifications, MOD-SQUAD	378
Extreme Duck Encapsulated Stainless	166 - 169	General Information	
DC Motors		Technical Information	509
NEMA Frame SCR Rated	282	Terms and Conditions	526
Explosion Proof	284	Cross References	392
Sub-Fractional HP	286	Index	451
SUB-FHP Washdown Duty	287	Dimension Information	506
		Notes Information	Inside back flap



FOCUSED ON THE FUTURE.

The LEESON EXPERIENCE

Our World Revolves Around You.

FIRST TO MARKET,
LAST TO REST.

1972-2012



FOCUSED ON THE FUTURE

Our New Corporate Identity is Simply "Regal"



SIMPLE.

Regal-Beloit Corporation, the parent of LEESON Electric, is in the midst of simplification. We are streamlining our business processes, standardizing our computer systems, and improving our communications – all with the idea of making it easier for customers to do business with us.

DYNAMIC.

As a corporation, we are becoming a more dynamic enterprise—continuously innovating and growing to reach more customers in more markets. And we are doing so with the confidence that comes with our years of industry experience.



BOLD.

As we bring life to the new Regal identity, our brand boldly reflects our corporate objective to become a more focused, integrated and customer centric company.

As a premier Regal brand, LEESON will continue as a dynamic and customer focused brand serving partners throughout North America. The LEESON brand promise remains giving customers the right product, in the right place at the right time, a service model that has been the hallmark of doing business with LEESON.

REGAL

Single Phase ODP Motors

Single Phase Motors – General Purpose – Drip-Proof – 115/208-230V

Rigid Mount – 1/12 HP – 10 HP – Frame sizes - 42 – 215T

Resilient Base Mount – ¼ HP – 2 HP – Frame sizes – 48 - 56



- Durable rolled steel construction
- NEMA design B performance
- Meets or exceeds NEMA service factors
- Double shielded ball bearings
- Continuous duty
- Thermally protected ratings
- UL recognized component listing and CSA certified
- 1-year warranty on general purpose motors
- 3-year warranty on Premium efficient motors

Applications:

- For use where water and dust exposure is minimal. Ideally suited for use on pumps, compressors, blowers, fans and other standard industrial applications



Single Phase ODP Motors

Capacitor Start – General Purpose

Single Phase – Drip-Proof – Rigid Base

HP	SYN RPM 60 Hz	NEMA Frame	▼ Catalog Number	Stock	List Price	Model Number	App. Wgt. (lbs)	Voltage	Over-load Prot.	F. L. Amps @ 230 V	Service Factor	"C" Dim. (Inches)	♥ Notes	
1/4	1800	48	101423.00	✓	361	M4C17DB33	16	115/208-230	Man.	2.7	1.35	8.87	S, MX	
	1800	48	LM24458	C/A	356	SPD4S0.25T1C6028TP1	17	115/208-230	Man.	2.5	1.35	9.84	S, MX	
	1800	48	100115.00	✓	299	A4C17DB1	16	115/208-230	Auto.	2.7	1.35	8.87	S, MX	
	1800	S56	100000.00	✓	341	A4C17DH1	17	115/208-230	Auto.	2.7	1.35	9.24	S, MX	
	1800	S56	LM24457	✓	353	SPD4S0.25T1C6028	17	115/208-230	None	2.5	1.35	9.84	S, MX	
1/3	3600	S56	100336.00	✓	279	C4C34DH11	26	115/208-230	None	2.8	1.35	8.99	S, MX	
	3600	48	LM24467	C/A	290	SPD2S0.33T1C6028	18	115/208-230	None	3.2	1.15	8.99	S, MX	
	1800	48	100116.00	✓	341	A4C17DB2	17	115/208-230	Auto.	3.3	1.35	8.87	S, MX	
	1800	S56	100006.00	✓	354	C4C17DH7	18	115/208-230	None	3.3	1.35	9.24	S, MX	
	1800	S56	LM24570	C/A	370	SRD4S0.33TICC6028	18	115/208-230	None	3.2	1.35	9.24	S, MX	
	1800	S56	100588.00	✓	405	M4C17DH46	18	115/208-230	Man.	3.3	1.35	9.24	S, MX	
	1800	S56	LM24550	✓	420	SRD4S0.33T1C6028TP1	18	115/208-230	Man.	3.2	1.35	10.22	S, MX	
	1800	S56	100001.00	✓	403	A4C17DH2	18	115/208-230	Auto.	3.3	1.35	9.24	S, MX	
	1800	S56	LM24549	C/A	416	SRD4S0.33T1C6028TP2	18	115/208-230	Auto.	3.2	1.35	10.22	S, MX	
	1200	56	110001.00	✓	509	C6C11DB1	29	115/208-230	None	3.9	1.35	10.88	S, US	
1200	S56	LM24540	C/A	532	SRD6S0.33T1C6028TP2	24	115/208-230	Auto.	8.4	1.15	11.97	S, MX		
1/2	3600	48	100184.00	✓	308	C4C34DB1	19	115/208-230	None	3.4	1.25	9.62	S, MX	
	3600	48	LM24465	✓	321	SPD2S0.5T1C6028	18	115/208-230	None	4.4	1.25	10.34	S, MX	
	3600	S56	100337.00	✓	308	C4C34DH12	20	115/208-230	None	3.4	1.25	9.99	S, MX	
	3600	S56	100052.00	✓	334	M4C34DH2	21	115/208-230	Man.	3.4	1.25	9.99	S, MX	
	1800	48	100338.00	✓	431	C4C17DB12	20	115/208-230	None	4.4	1.25	9.62	S, MX	
	1800	S56	100007.00	✓	389	C4C17DH8	21	115/208-230	None	4.4	1.25	9.99	S, MX	
	1800	S56	LM24551	✓	407	SRD4S0.5T1C6028	22	115/208-230	None	4.3	1.25	11.72	S, MX	
	1800	S56	100004.00	✓	477	M4C17DH5	21	115/208-230	Man.	4.4	1.25	9.99	S, MX	
	1800	S56	LM24553	C/A	499	SRD4S0.5T1C6028TP1	23	115/208-230	Man.	9.0	1.25	13.32	S, MX	
	1800	S56	100002.00	✓	453	A4C17DH3	20	115/208-230	Auto.	4.4	1.25	9.99	S, MX	
	1800	S56	LM24552	C/A	475	SRD4S0.5T1C6028TP2	22	115/208-230	Auto.	4.3	1.25	11.72	S, MX	
	1200	56	110002.00	✓	769	C6C11DB2	32	115/208-230	None	5.0	1.25	11.38	S, US	
	1200	56	LM24542	C/A	805	SRD6S0.5T1C6028	30	115/208-230	None	5.0	1.25	11.38	S, MX	
	3/4	3600	S56	100340.00	✓	376	C4C34DH13	24	115/208-230	None	4.9	1.25	10.49	S, MX
		3600	S56	LM24674	C/A	394	SRD2S0.75T1C6028	21	115/208-230	None	4.8	1.25	10.97	S, MX
3600		S56	100053.00	✓	420	M4C34DH3	24	115/208-230	Man.	4.9	1.25	10.49	S, MX	
1800		S56	100008.00	✓	481	C4C17DH9	26	115/208-230	None	5.4	1.25	10.99	S, MX	
1800		S56	LM24502	✓	502	SED4S0.75T1B6028	26	115/208-230	None	5.5	1.25	11.47	S, MX	
1800		S56	100005.00	✓	569	M4C17DH6	25	115/208-230	Man.	5.4	1.25	10.99	S, MX	
1800		S56	LM24504	✓	629	SRD4S0.75T1B6028TP1	18	115/208-230	Man.	5.5	1.25	11.47	S, MX	
1800		S56	101544.00	C/A	608	M4K17DH2	28	115/208-230	Man.	4.0	1.25	11.24	S, MX	
1800		S56	100003.00	✓	555	A4C17DH4	25	115/208-230	Auto.	5.4	1.25	10.99	S, MX	
1800		S56	LM24503	C/A	580	SRD4S0.75T1B6028TP2	25	115/208-230	Auto.	5.5	1.25	11.47	S, MX	
1200		56H	110003.00	✓	867	C6C11DB3	44	115/208-230	None	6.4	1.15	12.88	S, US	
1200		56	LM24543	C/A	909	SRD6S0.75T1C6028	38	115/208-230	None	6.4	1.15	12.44	S, MX	

▼ LM Numbers are Lincoln Models

♥ Note listing on inside back flap

C/A - Check Availability

Continued On Next Page

Specifications are subject to change without notice

View On-line Technical Information



Single Phase
ODP Motors

Single Phase
TEFC Motors

Single Phase
C Face Motors

Three Phase
ODP Motors

Three Phase
TEFC Motors

Three Phase
C Face Motors

Inverter Duty
Motors

Severe Duty
Motors

Explosion Proof
Motors

Single Phase ODP Motors

Capacitor Start – General Purpose

Single Phase – Drip-Proof – Rigid Base

HP	SYN RPM 60 Hz	NEMA Frame	▼ Catalog Number	Stock	List Price	Model Number	App. Wgt. (lbs)	Voltage	Over- load Prot.	F. L. Amps @ 230 V	Service Factor	"C" Dim. (Inches)	♥Notes
1	3600	56	110360.00	✓	396	C6C34DB19	28	115/208-230	None	6.0	1.25	10.84	S, US
	3600	S56	LM24525	C/A	415	SRD2S1T1B6028	23	115/208-230	None	5.3	1.25	11.72	S, MX, 53
	3600	56	110097.00	✓	435	M6C34DB3	28	115/208-230	Man.	6.0	1.25	10.84	S, US
	1800	56	110004.00	✓	524	C6C17DB2	28	115/208-230	None	6.4	1.15	10.88	S, US
	1800	56	LM24580	✓	548	SRD4SITIC6028TP1	20	115/208-230	None	6.7	1.15	11.44	S, MX
	1800	56	110167.00	✓	616	M6C17DB7	30	115/208-230	Man.	6.4	1.15	10.88	S, US
	1800	56	LM24582	✓	644	SRD4S1T1C6028TP1	29	115/208-230	Man.	6.7	1.15	11.44	S, MX
	1800	56	113630.00	✓	660	M6K17DB33	31	115/208-230	Man.	5.3	1.15	10.88	S, US, 53
	1800	56	110000.00	✓	592	A6C17DB1	28	115/208-230	Auto.	6.4	1.15	10.88	S, US
	1800	56	LM24581	C/A	616	SRD4S1TC6028TP2	29	115/208-230	Auto.	6.7	1.15	11.44	S, MX
	1800	143T	120044.00	✓	586	C143C17DB3	38	115/208-230	None	6.4	1.15	11.13	S, US
	1800	143T	LM24675	C/A	613	SSD4S1T1C6028	33	115/208-230	None	6.7	1.15	11.49	S, MX
1800	143T	120003.00	✓	616	M143C17DB2	33	115/208-230	Man.	6.4	1.15	11.13	S, US	
1800	143T	120000.00	✓	615	A143C17DB1	32	115/208-230	Auto.	6.4	1.15	11.13	S, US	
1 1/2	3600	56	110361.00	✓	560	C6C34DB20	29	115/208-230	None	8.2	1.15	10.84	S, US
	3600	56	LM24524	C/A	586	SRD2S1.5T1B6028	25	115/208-230	None	7.4	1.15	11.20	S, MX, 53
	3600	56	110110.00	✓	569	M6C34DB4	28	115/208-230	Man.	8.2	1.15	10.84	S, US
	3600	56	113631.00	✓	577	M6K34DB15	36	115/208-230	Man.	6.2	1.15	11.34	S, US, 53
	3600	143T	120107.00	C/A	560	C143C34DB1	32	115/208-230	None	8.2	1.15	11.28	S, US
	3600	143T	LM24676	C/A	586	SSD2S1.5T1C6028	30	115/208-230	None	9.4	1.15	10.99	S, MX
	1800	56H	110005.00	✓	681	C6K17DB1	37	115/208-230	None	8.6	1.15	11.84	S, US, 53
	1800	56H	LM24583	C/A	713	SRD4S1.5T1C6028	40	115/208-230	None	9.0	1.15	12.44	S, MX
	1800	56H	110006.00	✓	742	P6K17DB2	38	115/208-230	Man.	8.6	1.15	11.84	S, US, 53
	1800	56H	LM24585	C/A	779	SRD4S1.5T1C6028TP1	40	115/208-230	Man.	9.0	1.15	12.44	S, MX
	1800	56H	113266.00	✓	769	M6K17DB30	42	115/208-230	Man.	6.7	1.15	12.38	S, US, 53
	1800	145T	120042.00	✓	647	C145K17DB5	38	115/208-230	None	8.6	1.15	12.28	S, US, 53
1800	145T	LM24687	✓	678	SSD4S1.5T1C6028	41	115/208-230	None	9.0	1.15	12.44	S, MX	
1800	145T	120004.00	✓	822	P145K17DB3	40	115/208-230	Man.	8.6	1.15	12.28	S, US, 53	
1800	145T	120001.00	✓	822	U145K17DB1	40	115/208-230	Auto.	8.6	1.15	12.28	S, US, 53	
2	3600	56	110363.00	✓	742	C6C34DB22	37	115/208-230	None	10.0	1.15	11.84	S, US
	3600	56H	LM24624	C/A	779	SRD2S2T1B6028	35	115/208-230	None	9.6	1.15	11.44	S, MX, 53
	3600	56	110362.00	C/A	773	P6C34DB21	38	115/208-230	Man.	10.0	1.15	12.34	S, US
	3600	56	113632.00	✓	779	P6K34DB16	38	115/208-230	Man.	8.6	1.15	11.34	S, US, 53
	3600	145T	120106.00	✓	799	C145C34DB3	40	115/208-230	None	10.0	1.15	12.28	S, US
	3600	145T	LM24806	C/A	833	SSD2S2T1B6038	40	115/208-230	None	9.6	1.15	11.49	S, MX, 53
	1800	56H	116704.00	✓	822	P6K17DB47	45	115/208-203	Man.	8.6	1.15	12.88	S, US, 53
	1800	145T	120067.00	✓	771	C145K17DB9	42	115/230	None	10.5	1.15	13.28	S, US, 53
	1800	145T	LM24677	✓	807	SSD4S2T1B6028	49	115/208-230	None	10.5	1.15	13.49	S, MX, 53
	1800	145T	120879.00	✓	864	P145K17DB38	51	115/208-230	Man.	8.6	1.15	13.31	S, US, 53
	1800	145T	LM24685	C/A	895	SRD4S1.5T1C6028TP1	50	115/208-230	Man.	8.6	1.15	13.31	S, MX
	1800	182T	131515.00	✓	799	C182C17DB8	56	115/208-230	None	12.4	1.15	13.19	S, MX
1800	182T	131536.00	✓	855	P182C17DB10	63	115/208-230	Man.	12.4	1.15	13.19	S, MX	
1800	182T	131535.00	✓	851	U182C17DB9	63	115/208-230	Auto.	12.4	1.15	13.19	S, MX	

▼ LM Numbers are Lincoln Models

♥ Note listing on inside back flap

C/A - Check Availability

Continued On Next Page

Specifications are subject to change without notice



View On-line Technical Information



Single Phase ODP Motors

Capacitor Start – General Purpose

Single Phase – Drip-Proof – Rigid Base

HP	SYN RPM 60 Hz	NEMA Frame	▼ Catalog Number	Stock	List Price	Model Number	App. Wgt. (lbs)	Voltage	Over-load Prot.	F. L. Amps @ 230 V	Service Factor	"C" Dim. (Inches)	♥ Notes
3	3600	56H	116706.00	√	828	M6C34DB75	39	230	Man.	15.0	1.0	12.38	S, US
		182T	131636.00	√	919	C182K34DB3	74	115/208-230	None	14.0	1.15	14.18	S, MX, 53
	1800	184T	131534.00	√	865	C184C17DB19	69	115/230	None	16.9	1.15	14.19	S, MX
		184T	LM24680	C/A	888	SS184D4S3T1C6028	78	115/230	None	16.5	1.15	15.22	S, MX
		184T	131561.00	√	1,023	P184C17DB21	76	115/230	Man.	16.9	1.15	14.19	S, MX
		184T	131851.00	C/A	1,022	C184K17D0B40	72	208-230	Man.	13.7	1.15	15.22	S, MX, 53
		184T	131530.00	√	1,023	U184C17DB20	69	115/230	Auto.	16.9	1.15	14.19	S, MX
5	3600	56H	116708.00	√	847	P6K34DB26	45	230	Man.	20.8	1.0	13.34	S, US, 53
		184T	131616.00	√	1,093	C184K34DB3	84	208-230	None	22.0	1.15	14.69	S, MX, 53
	3600	184T	LM24681	C/A	1,121	SS184D2S5T1C6008	78	208-230	None	24.0	1.15	14.72	S, MX
	1800	184T	131537.00	√	1,038	C184K17DB31	83	208-230	None	21.0	1.15	14.69	S, MX, 53
		184T	LM24682	√	1,060	SSD4S5T1B6008	87	208-230	None	21.0	1.15	15.72	S, MX, 53
		184T	131560.00	√	1,038	C184K17DB32	82	208	None	23.2*	1.15	14.69	S, MX, 53
		184T	131622.00	√	1,241	P184K17DB33	82	208-230	Man.	21.0	1.15	14.69	S, MX, 53
7 1/2		3600	184T	132044.00	√	1,000	C184K34DB8	110	208-230	Tstat	31.0	1.15	16.69
7 1/2	3600	213T	140680.00	√	1,689	C213K34DB1	112	208-230	None	29.5	1.15	16.55	S, MX, 53
		1800	215T	140155.00	√	1,474	C215K17DB2	113	230	None	36.0	1.15	17.26
	1800	215T	LM24683	√	1,556	SS15D4S7.5T1B6008	118	208-230	None	34.5	1.15	18.05	S, MX, 53
		10	3600	215T	140681.00	√	2,135	C215K34DB1	135	208-230	None	37.0	1.15
10	1800	215TZ	140311.00	√	2,155	C215K17DB4	140	230	None	43.0	1.25	19.76	S, MX, 53
		215	LM24684	√	2,207	SSD4S10T1B6008	140	208-230	None	44.0	1.15	19.29	S, MX, 53

* F.L. Amps at 208V

♥ Note listing on inside back flap

▼ LM Numbers are Lincoln Models

C/A - Check Availability

Specifications are subject to change without notice

Single Phase
ODP Motors

Single Phase
TEFC Motors

Single Phase
C Face Motors

Three Phase
ODP Motors

Three Phase
TEFC Motors

Three Phase
C Face Motors

Inverter Duty
Motors

Severe Duty
Motors

Explosion Proof
Motors

View On-line Technical Information



Single Phase ODP Motors

Wattsaver® Premium Efficiency Fan Motors



Features Include:

- Premium Efficient
- Class F insulation
- Terminal boards
- Shielded ball bearings

Single Phase – Drip-Proof – Resilant Base

HP	SYN RPM 60 Hz	NEMA Frame	Catalog Number	Stock	List Price	Model Number	App. Wgt. (lbs)	Voltage	Over- load Prot.	F. L. Amps @ 115 V	Service Factor	% F. L. Eff.	"C" Dim. (Inches)	♥ Notes
1/4	1800	48	101602.00	√	392	A4K17DR7	19	115	Auto.	2.5	1.35	71.0	10.39	S, MX, 32, 53
1/3	1800	48	101405.00	√	464	A4K17DR5	19	115	Auto.	3.2	1.35	75.0	10.39	S, MX, 32, 53
1/2	1800	48	101585.00	√	530	A4K17DR6	25	115	Auto.	4.6	1.35	76.0	11.39	S, MX, 32, 53

Green items are Premium Efficient

♥ Note listing on inside back flap

Specifications are subject to change without notice



View On-line Technical Information



Single Phase ODP Motors

Compressor Duty Motors – Compressor – Pump and Fan & Blower Duty

General Specifications:

Motors designed for air compressor, pump, and fan and blower duty applications which require high breakdown torque and rugged mechanical construction.

Mechanical Features:

- Double shielded ball bearings
- Designed for belted loads

Electrical Features:

- High efficient Class “F” copper windings
- High starting and breakdown torque
- Dual rotation

Single Phase – Drip-Proof – Rigid Base

HP	SYN RPM 60 Hz	NEMA Frame	▼ Catalog Number	Stock	List Price	Model Number	App. Wgt. (lbs)	Voltage	Over-load Prot.	F. L. Amps @ 230 V	Service Factor	"C" Dim. (Inches)	♥ Notes
1	3600	56	110160.00	✓	430	M6C34DB6	27	115/230	Man.	6.7	SPEC	11.38	S, US
	1800	143T	120044.00	✓	586	C143C17DB3	38	115/208-230	None	6.4	1.15	11.28	S, US
	1800	143T	LM24675	C/A	613	SSD4S1T1C602	33	115/208-230	None	6.4	1.15	11.49	S, US
	1800	143T	120003.00	✓	616	M143C17DB2	33	115/208-230	Man.	6.4	1.15	11.13	S, US
1 1/2	3600	56	110161.00	✓	471	P6C34DB7	33	115/230	Man.	10.0	SPEC	11.88	S, US
	1800	145T	120042.00	✓	647	C145K17DB5	38	115/208-230	None	8.6	1.15	12.28	S, US, 53
	1800	145T	LM24687	C/A	678	SSD4S1.5T1C602	41	115/208-230	None	8.6	1.15	12.49	S, US
	1800	145T	120004.00	✓	822	P145K17DB3	40	115/208-230	Man.	8.6	1.15	12.28	S, US, 53
2	3600	56	110232.00	✓	492	M6C34DB11	33	115/230	Man.	11.0	SPEC	11.88	S, US
	1800	182T	131515.00	✓	799	C182C17DB8	56	115/208-230	None	12.4	1.15	13.19	S, MX
	1800	182T	LM24678	C/A	826	SS182D4S2T1C6028	65	115/208-230	None	12.4	1.15	13.19	S, MX
	1800	182T	131536.00	✓	855	P182C17DB10	63	115/208-230	Man.	8.8	1.15	10.66	S, MX
3	3600	56Y	110222.00	✓	552	M6C34DB13	38	230	Man.	15.0	1.15	12.38	S, US, 36
	1800	184T	131534.00	✓	865	C184C17DB19	69	115/230	None	16.9	1.15	14.19	S, MX
	1800	184T	LM24680	C/A	888	SS184D4S3T1C6028	78	115/208-230	None	16.9	1.15	14.19	S, MX
5SPL	3600	56	116523.00	✓	665	P6K34DB22	35	208-230	Man.	15.0	1.0	11.44	S, US, 53
5	3600	56Y	111275.00	✓	686	P6K34DB5	44	230	Man.	20.8	1.0	13.34	S, US, 36, 53
	3600	56Y	116789.00	✓	706	P6K34DB27	45	230	Man.	20.8	1.0	12.38	S, US, 10, 53
	3600	145T	120554.00	✓	694	P145K34DB1	46	230	Man.	20.8	1.0	13.12	S, US, 53
	1800	184T	131537.00	✓	1038	C184K17DB31	83	230	None	21.0	1.15	14.69	S, MX, 53
	1800	184T	LM24682	✓	1060	SSD4S5T1B600	87	208-230	None	21.0	1.15	14.69	S, MX, 53
	1800	184T	131622.00	✓	1241	P184K17DB33	82	230	Man.	21.0	1.15	14.69	S, MX, 53
7 1/2	3600	184T	132044.00	✓	1000	C184K34DB8	110	208-230	Tstat	31.0	1.15	16.69	S, MX, 53
	3600	213T	140680.00	✓	1689	C213K34DB1	112	208-230	None	29.5	1.15	16.55	S, MX, 53
	1800	215T	140155.00	✓	1474	C215K17DB2	113	230	None	36.0	1.15	17.26	S, MX, 53
	1800	215T	LM24683	✓	1556	SS215D4S7.5T1B600	118	208-230	None	36.0	1.15	17.26	S, MX, 53
10	3600	215T	140681.00	✓	2135	C215K34DB1	135	208-230	None	37.0	1.15	18.05	S, MX, 53
	1800	215TZ	140311.00	✓	2155	C215K17DB4	140	230	None	43.0	1.25	19.76	S, MX, 53
	1800	215TZ	LM24684	✓	2207	SSD4S10T1B600	140	208-230	None	43.0	1.15	19.76	S, MX, 53

▼ LM Numbers are Lincoln Models

♥ Note listing on inside back flap

C/A - Check Availability

Specifications are subject to change without notice

View On-line Technical Information



Single Phase
ODP Motors

Single Phase
TEFC Motors

Single Phase
C Face Motors

Three Phase
ODP Motors

Three Phase
TEFC Motors

Three Phase
C Face Motors

Inverter Duty
Motors

Severe Duty
Motors

Explosion Proof
Motors

Single Phase ODP Motors

Pressure Washer Pump Motors



General Specifications:

Motors specially suited for hot or cold pressure washer applications and other single phase installations requiring minimum starting and running amperages. Capacitor start, capacitor run construction for reduced amperage.

Mechanical Features:

- Double shielded ball bearings
- Dynamically balanced rotors

Electrical Features:

- Windings dipped in heavy duty varnish system
- Capacitor start / capacitor run designs to reduce amp draw
- Manual reset overload protection
- High service factor

Single Phase – Drip-Proof – Rigid Base

HP	SYN RPM 60 Hz	NEMA Frame	Catalog Number	Stock	List Price	Model Number	App. Wgt. (lbs)	Voltage	Over-load Prot.	F. L. Amps @ 230 V	Service Factor	"C" Dim. (Inches)	♥ Notes
3/4	3600	S56	100053.00	✓	420	M4C34DH3	24	115/208-230	Man.	4.9	1.25	10.49	S, MX
	1800	S56	101544.00	C/A	608	M4K17DH2	28	115/208-230	Man.	4.0	1.25	11.24	S, US, 53
1	3600	56	110097.00	✓	435	M6C34DB3	27	115/208-230	Man.	6.0	1.25	10.84	S, US
	1800	56	113630.00	✓	660	M6K17DB33	31	115/208-230	Man.	5.3	1.15	10.84	S, US, 53
1 1/2	3600	56	113631.00	✓	577	M6K34DB15	36	115/208-230	Man.	6.2	1.15	11.34	S, US, 53
	1800	56H	113266.00	✓	769	M6K17DB30	42	115/208-230	Man.	6.7	1.15	12.38	S, US, 6, 53
	1800	145T	120004.00	✓	822	P145K17DB3	40	115/208-230	Man.	8.6	1.15	12.28	S, US, 53
2	3600	56	113632.00	✓	779	P6K34DB16	36	115/208-230	Man.	8.6	1.15	11.34	S, US, 53
	1800	56H	116704.00	✓	822	P6K17DB47	45	115/208-230	Man.	8.6	1.15	12.88	S, US, 6, 53
	1800	145T	120879.00	✓	864	P145K17DB38	53	115/208-230	Man.	8.6	1.15	13.31	S, US
3	3600	56H	116706.00	✓	828	M6C34DB75	39	230	Man.	15.0	1.0	12.38	S, US, 6, 53
	1800	184T	131851.00	C/A	1,022	184TBDR7675A	72	208-230	Man.	13.7	1.15	15.22	S, MX, 9
5	3600	56H	116708.00	✓	847	P6K34DB26	45	230	Man.	20.8	1.0	13.34	S, US, 6, 53
	1800	184T	131622.00	✓	1,241	P184K17DB33	82	208-230	Man.	21.0	1.15	14.69	S, MX

C/A - Check Availability

♥ Note listing on inside back flap

Specifications are subject to change without notice



Single Phase ODP Motors

Resilient Base Motors – General Purpose or Fan Duty

General Specifications:

- Industrial quality resilient base
- Moderate starting torque
- Belt driven fans or fan on shaft applications
- Self ventilated designs

Drip-Proof – Single Phase – Resilient Base

HP	SYN RPM 60 Hz	NEMA Frame	Catalog Number	Stock	List Price	Model Number	App. Wgt. (lbs)	Voltage	Over-load Prot.	F. L. Amps @ 230 V	Service Factor	"C" Dim. (Inches)	♥ Notes
1/4	3600	48	101434.00	✓	301	A4C34DR8	16	115/208-230	Auto.	2.0	1.0	9.39	S, MX
	1800	48	100109.00	✓	353	A4C17DR1	17	115/208-230	Auto.	2.7	1.35	9.89	S, MX
	1800	48	100111.00	✓	305	A4C17DR3	17	115/208-230	Auto.	2.7	1.0	9.89	S, MX
	1800	48	102963.00	✓	353	A4C17DR47	17	277	Auto.	2.2*	1.35	9.89	S, MX
1/3	3600	48	101431.00	✓	309	A4C34DR11	17	115/208-230	Auto.	2.3	1.0	9.39	S, MX
	1800	48	100110.00	✓	432	A4C17DR2	18	115/208-230	Auto.	3.3	1.35	9.89	S, MX
	1800	48	101015.00	✓	353	A4C17DR31	18	115/208-230	Auto.	3.3	1.0	9.89	S, MX
	1800	S56	100014.00	✓	407	C4C17DJ5	19	115/208-230	None	3.3	1.35	10.31	S, MX
	1800	S56	100010.00	✓	432	A4C17DJ2	18	115/208-230	Auto.	3.3	1.35	10.31	S, MX
	1800	S56	100063.00	✓	353	A4C17DJ9	19	115/208-230	Auto.	3.3	1.0	10.31	S, MX
	1800	S56	102964.00	✓	432	A4C17DJ72	18	277	Auto.	2.8*	1.35	10.31	S, MX
	1800	S56	100015.00	✓	439	C4C17DJ6	21	115/208-230	None	4.4	1.25	10.81	S, MX
1/2	3600	48	101432.00	✓	341	A4C34DR10	20	115/208-230	Auto.	3.4	1.0	9.89	S, MX
	1800	S56	100015.00	✓	439	C4C17DJ6	21	115/208-230	None	4.4	1.25	10.81	S, MX
	1800	S56	100045.00	✓	420	M4C17DJ17	20	115/208-230	Man.	4.4	1.0	10.81	S, MX
	1800	S56	101611.00	✓	465	A4C17DJ57	22	115/208-230	Auto.	4.4	1.25	10.81	S, MX, 32
	1800	S56	100011.00	✓	465	A4C17DJ3	22	115/208-230	Auto.	4.4	1.25	10.81	S, MX
	1800	S56	100064.00	✓	422	A4C17DJ10	20	115/208-230	Auto.	4.4	1.0	10.81	S, MX
	1800	S56	102965.00	✓	465	A4C17DJ74	22	277	Auto.	3.7*	1.25	10.81	S, MX
	1800	S56H	100016.00	✓	551	C4C17DJ7	26	115/208-230	None	5.4	1.25	11.81	S, MX
3/4	3600	48	101433.00	✓	402	A4C34DR9	22	115/208-230	Auto.	4.8	1.0	10.39	S, MX
	3600	S56H	100603.00	✓	428	A4C34DJ7	26	115/208-230	Auto.	4.9	1.25	11.31	S, MX
	1800	S56H	100016.00	✓	551	C4C17DJ7	26	115/208-230	None	5.4	1.25	11.81	S, MX
	1800	S56H	100046.00	✓	575	M4C17DJ18	26	115/208-230	Man.	5.4	1.25	11.81	S, MX
	1800	S56H	100047.00	✓	481	M4C17DJ19	25	115/208-230	Man.	5.5	1.0	11.81	S, MX
	1800	S56H	101839.00	✓	575	A4C17DJ67	28	115/208-230	Auto.	5.4	1.25	11.81	S, MX, 32
	1800	S56H	100012.00	✓	575	A4C17DJ4	26	115/208-230	Auto.	5.4	1.25	11.81	S, MX
	1800	S56H	100065.00	✓	476	A4C17DJ11	25	115/208-230	Auto.	5.5	1.0	11.81	S, MX
1	3600	56H	110478.00	✓	494	A6C34DR6	28	115/208-230	Auto.	6.0	1.25	11.85	S, US
	1800	56H	113027.00	✓	599	C6C17DR37	30	115/208-230	None	6.4	1.15	11.81	S, US
	1800	56H	110007.00	✓	623	A6C17DR1	29	115/208-230	Auto.	6.4	1.15	11.81	S, US
	1800	56H	110054.00	✓	609	A6C17DR2	32	115/208-230	Auto.	6.4	1.0	11.81	S, US
	1800	56H	116599.00	✓	623	A6C17DR54	29	277	Auto.	5.4*	1.2	11.82	S, US
	1800	56H	116599.00	✓	623	A6C17DR54	29	277	Auto.	5.4*	1.2	11.82	S, US
1 1/2	3600	56H	110479.00	✓	635	A6C34DR7	30	115/230	Auto.	8.2	1.15	11.82	S, US
	1800	56H	110579.00	✓	754	A6K17DR6	38	115/208-230	Auto	7.2	1.15	12.82	S, US, 6, 53
	1800	56H	116600.00	✓	754	A6K17DR41	38	277	Auto	6.0*	1.15	12.82	S, US
2	3600	56H	113633.00	✓	795	U6C34DR21	38	115/208-230	Auto.	10.0	1.15	13.82	S, US
	1800	56H	113608.00	✓	803	A6K17DR28	45	115/208-230	Auto.	10.0	1.15	13.81	S, US, 6, 53
	1800	56H	116601.00	✓	803	A6K17DR42	45	277	Auto.	8.7*	1.15	13.82	S, US

* F.L. Amps at 277V

♥ Note listing on inside back flap

Specifications are subject to change without notice

View On-line Technical Information



Single Phase ODP Motors

Single Phase TEFC Motors

Single Phase C Face Motors

Three Phase ODP Motors

Three Phase TEFC Motors

Three Phase C Face Motors

Inverter Duty Motors

Severe Duty Motors

Explosion Proof Motors

Single Phase TEFC Motors

Standard and Premium Efficiency –

General Purpose – 115/208-230 Volt

Rigid Mount – 1/12 HP – 10 HP – 42 through 215T frame

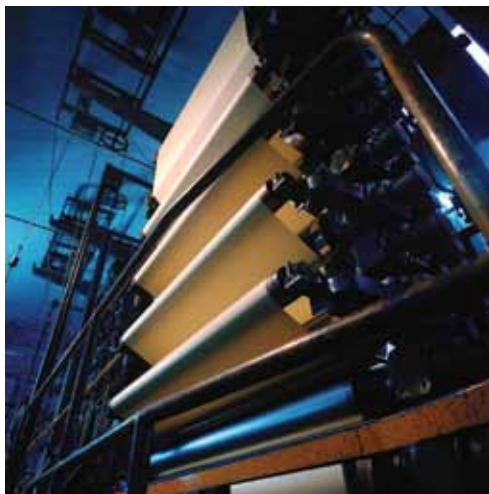
Resilient Mount – ½ HP – 1 HP – 56 frame



- Durable rolled steel construction
- NEMA Design B performance
- Meets or exceed NEMA service factors
- Double shielded ball bearings
- Continuous duty
- Thermally protected ratings
- 1-year warranty on general purpose motors
- 3-year warranty on Premium efficient motors
- UL recognized component listing and CSA certified

Applications:

For use where exposure to water, dust and dirt exists. Ideally suited for use on pumps, compressors, fans, conveyors and other industrial equipment.



Single Phase TEFC Motors

Capacitor Start – General Purpose

Single Phase - TEFC - Rigid Base

HP	SYN RPM 60 Hz	NEMA Frame	▼ Catalog Number	Stock	List Price	Model Number	App. Wgt. (lbs)	Voltage	Over-load Prot.	F. L. Amps @ 230 V	Service Factor	"C" Dim. (Inches)	♥ Notes	
1/12	1800	42	092111.00	✓	308	C42C17FB3	14	115/208-230	None	1.1	1.15	8.94	S, US	
1/8	1800	42	092114.00	✓	320	C42C17FB2	16	115/208-230	None	1.6	1.15	9.44	S, US	
1/6	1800	42	092116.00	✓	351	C42C17FB1	17	115/208-230	None	2.1	1.15	9.44	S, US	
	1800	48	102012.00	✓	348	C4C17FB23	17	115/208-230	None	2.0	1.15	9.06	S, MX	
	1200	48	102013.00	✓	494	C4C11FB3	23	115/208-230	None	1.9	1.15	10.31	S, MX	
1/4	3600	42	092112.00	✓	355	C42C34FB3	19	115/208-230	None	2.1	1.15	9.94	S, US	
	1800	48	102014.00	✓	341	C4C17FB21	20	115/208-230	None	2.7	1.15	9.06	S, MX	
	1800	48	101446.00	✓	393	M4C17FB10	18	115/208-230	Man.	2.7	1.15	9.06	S, MX	
	1800	S56	LM24606	C/A	465	SRF4S0.25T1C6028	18	115/208-230	None	2.1	1.15	10.22	S, MX	
	1200	48	102015.00	✓	526	C4C11FB4	23	115/208-230	None	3.2	1.15	11.31	S, MX	
	1200	56	114617.00	✓	555	C6C11FB7	30	115/208-230	None	2.8	1.15	11.81	S, US	
	1200	56	LM24545	C/A	580	SRF6S0.25T1C6028	25	115/208-230	None	3.4	1.15	11.82	S, MX	
1/3	3600	48	102016.00	✓	326	C4C34FB10	21	115/208-230	None	2.8	1.15	9.06	S, MX	
	3600	S56	LM24705	C/A	339	SRF2S0.33T1C6028	19	115/208-230	None	2.8	1.15	9.06	S, MX	
	1800	48	100955.00	✓	378	C4C17FB3	19	115/208-230	None	3.3	1.15	9.56	S, MX	
	1800	48	102018.00	✓	434	M4C17FB22	20	115/208-230	Man.	3.3	1.15	9.56	S, MX	
	1800	S56	102931.00	✓	376	C4C17FH31	23	115/208-230	None	3.1	1.15	10.44	S, MX	
	1800	56	LM24597	✓	397	SRF4S0.33T1C6028	19	115/208-230	None	3.1	1.15	10.44	S, MX	
	1800	S56	102933.00	✓	430	M4C17FH33	23	115/208-230	Man.	3.1	1.15	10.44	S, MX	
	1800	S56	LM24602	C/A	453	SRF3S0.33T1C6028TP1	20	115/208-230	Man.	3.0	1.15	10.47	S, MX	
	1800	S56	102932.00	✓	444	A4C17FH32	23	115/208-230	Auto.	3.1	1.15	10.44	S, MX	
	1800	S56	LM24601	C/A	464	SRF4S0.33T1C6028TP2	19	115/208-230	Auto.	3.0	1.15	10.47	S, MX	
	1800	56	113765.00	✓	522	M6K17FB33	27	115/208-230	Man.	1.7	1.15	10.81	S, US, 53	
	1200	48	102019.00	✓	580	C4C11FB5	28	115/208-230	None	3.1	1.0	11.56	S, MX	
	1200	56	110009.00	✓	580	C6C11FB1	34	115/208-230	None	3.6	1.0	12.31	S, US	
	1200	56	LM24546	✓	608	SRF6S0.33T1C6028	28	115/208-230	None	3.9	1.15	12.32	S, MX	
	1/2	3600	48	102020.00	✓	373	C4C34FB9	27	115/208-230	None	3.5	1.15	9.31	S, MX
		3600	S56	102905.00	✓	371	C4C34FH8	22	115/208-230	None	3.5	1.15	9.94	S, MX
		3600	56	LM24706	C/A	389	SRF2S0.5T1C6028	23	115/208-230	None	4.2	1.15	11.82	S, MX
3600		S56	102904.00	✓	397	M4C34FH7	25	115/208-230	Man.	3.5	1.15	9.94	S, MX	
3600		56	LM24743	✓	416	SRF2S0.5T1C6028TP1	23	115/208-230	Man.	4.2	1.15	11.82	S, MX	
1800		48	100956.00	✓	434	C4C17FB4	22	115/208-230	None	4.0	1.15	10.31	S, MX	
1800		S56	102906.00	✓	430	C4C17FH28	22	115/208-230	None	4.0	1.15	10.69	S, MX	
1800		S56	LM24627	✓	453	SRF4S0.5T1C6028	24	115/208-230	None	4.0	1.15	11.22	S, MX	
1800		S56	102909.00	✓	503	M4C17FH30	22	115/208-230	Man.	4.0	1.15	10.69	S, MX	
1800		S56	LM24604	C/A	532	SRF2S0.5T1C6028TP1	24	115/208-230	Man.	4.0	1.15	11.22	S, MX	
1800		S56	102908.00	✓	516	A4C17FH29	25	115/208-230	Auto.	4.0	1.15	10.69	S, MX	
1800		S56	LM24603	C/A	541	SRF4S0.5T1C6038TP1	24	115/208-230	Auto.	4.0	1.15	11.22	S, MX	
1800		56	113766.00	✓	580	M6K17FB34	30	115/208-230	Man.	2.5	1.15	11.31	S, US, 53	
1200		56	110011.00	✓	825	C6C11FB2	38	115/208-230	None	4.9	1.0	12.81	S, US	
1200		56	LM24496	C/A	865	SRF6S0.5T1B6028	36	115/208-230	None	4.8	1.15	13.32	S, MX, 53	

Green items are Premium Efficient

♥ Note listing on inside back flap

▼ LM Numbers are Lincoln Models

Continued On Next Page

C/A - Check Availability

Specifications are subject to change without notice

View On-line Technical Information



Single Phase
ODP Motors

Single Phase
TEFC Motors

Single Phase
C Face Motors

Three Phase
ODP Motors

Three Phase
TEFC Motors

Three Phase
C Face Motors

Inverter Duty
Motors

Severe Duty
Motors

Explosion Proof
Motors

Single Phase TEFC Motors

Capacitor Start – General Purpose

Single Phase - TEFC - Rigid Base

HP	SYN RPM 60 Hz	NEMA Frame	▼ Catalog Number	Stock	List Price	Model Number	App. Wgt. (lbs)	Voltage	Over- load Prot.	F. L. Amps @ 230 V	Service Factor	"C" Dim. (Inches)	♥ Notes
3/4	3600	56	110276.00	√	416	C6C34FB15	26	115/208-230	None	5.0	1.15	11.31	S, US
	3600	56	LM24707	C/A	432	SRF2S0.75T1C6028	28	115/208-230	None	5.3	1.15	12.32	S, MX
	3600	56	110108.00	√	443	M6C34FB7	26	115/208-230	Man.	5.0	1.15	11.31	S, US
	3600	56	LM24744	√	461	SRF2S0.75T1C6028TP1	26	115/208-230	Man.	5.3	1.15	12.32	S, MX
	1800	56	110013.00	√	516	C6C17FB2	29	115/208-230	None	5.4	1.15	11.31	S, US
	1800	56	LM24607	√	538	SRF4S0.75T1C6028	30	115/208-230	None	5.5	1.15	12.32	S, MX
	1800	56	110022.00	√	602	M6C17FB7	29	115/208-230	Man.	5.4	1.15	11.31	S, US
	1800	56	LM24609	C/A	626	SRF4S0.75T1C6028TP1	30	115/208-230	Man.	5.5	1.15	12.32	S, MX
	1800	56	110017.00	√	629	A6C17FB4	26	115/208-230	Auto.	5.4	1.15	11.31	S, US
	1800	56	LM24608	C/A	659	SRF4S0.75T1C6028TP2	30	115/208-230	Auto.	5.5	1.15	12.32	S, MX
1	1800	56	113767.00	√	684	M6K17FB35	35	115/208-230	Man.	3.2	1.15	11.81	S, US, 53
	1200	56H	110400.00	√	955	C6K11FB1	43	115/208-230	None	5.3	1.0	13.31	S, US, 53
	1200	56	LM24497	√	1000	SRF6S0.75T1B6028	41	115/208-230	None	5.7	1.15	13.82	S, MX, 53
	3600	56	110059.00	√	485	C6C34FB5	28	115/208-230	None	6.0	1.15	11.81	S, US
	3600	56	LM24708	C/A	507	SRF2S1TC6028	30	115/208-230	None	6.2	1.15	12.32	S, MX
	3600	56	110142.00	√	542	M6C34FB2	28	115/208-230	Man.	6.0	1.15	11.81	S, US
	3600	56	LM24745	√	570	SRF2S1T1C6028TP1	31	115/208-230	Man.	6.2	1.15	12.32	S, MX
	1800	56	110209.00	√	591	C6C17FB17	30	115/208-230	None	7.0	1.15	11.81	S, US
	1800	56	LM24610	√	621	SRF4SITIC6028	32	115/208-230	None	6.7	1.15	12.82	S, MX
	1800	56	110023.00	√	681	M6C17FB8	29	115/208-230	Man.	6.4	1.15	11.81	S, US
1 1/2	1800	56	LM24612	C/A	713	SRF4S1T1C6028TP1	32	115/208-230	Man.	6.7	1.15	12.82	S, MX
	1800	56	110018.00	√	704	A6C17FB5	29	115/208-230	Auto.	6.4	1.15	12.31	S, US
	1800	56	LM24611	C/A	738	SRF4S1T1C6028TP2	32	115/208-230	Auto.	6.7	1.15	12.82	S, MX
	1800	56	113768.00	√	785	M6K17FB36	37	115/208-230	Man.	4.2	1.15	12.31	S, US, 53
	1800	143T	120025.00	√	652	C143C17FB3	34	115/208-230	None	6.4	1.15	12.75	S, US
	1800	143T	LM24709	C/A	683	SSF4S1T1C6028	34	115/208-230	None	6.7	1.15	12.87	S, MX
	1800	143T	120008.00	√	681	M143C17FB2	31	115/208-230	Man.	6.4	1.15	12.75	S, US
	1200	145T	120043.00	√	1093	C145K11FB1	49	115/230	None	6.7	1.0	14.25	S, US, 53
	3600	56	110094.00	√	637	C6C34FB6	32	115/208-230	None	8.5	1.0	12.31	S, US
	3600	56H	LM24531	√	665	SRF2S1.5T1B6028	35	115/208-230	None	7.1	1.15	12.82	S, MX, 53
3600	56	110109.00	√	746	M6C34FB8	31	115/208-230	Man.	8.5	1.0	12.31	S, US	
3600	56H	LM24532	√	780	SRF2S1.51B6028TP1	35	115/208-230	Man.	7.1	1.15	12.82	S, MX, 53	
3600	143T	120130.00	√	637	C143C34FB1	36	115/208-230	None	8.5	1.0	13.25	S, US	
3600	143T	LM24710	C/A	665	SRF4S1.5T1B6028	39	115/208-230	None	7.1	1.15	12.87	S, MX, 53	
1800	56H	110253.00	√	672	C6K17FB9	38	115/208-230	None	8.6	1.0	12.81	S, US, 53	
1800	56H	LM24513	√	702	SSF4S1.5T1B6028	41	115/208-230	None	7.6	1.15	13.82	S, MX, 53	
1800	56H	113333.00	√	771	M6K17FB32	38	115/208-230	Man.	8.6	1.0	12.81	S, US, 53	
1800	56H	LM24515	C/A	807	SRF3S1.5T1B6028TP1	41	115/208-230	Man.	7.6	1.15	13.82	S, MX, 53	
1800	56H	110019.00	√	837	U6K17FB1	38	115/208-230	Auto.	8.6	1.0	12.81	S, US, 53	
1800	56H	LM24514	C/A	877	SRF3S1.5T1B6028TP2	41	115/208-230	Auto.	7.6	1.15	13.82	S, MX, 53	
1800	56H	113769.00	√	892	M6K17FB37	43	115/208-231	Man.	6.5	1.15	13.31	S, US, 53	
1800	145T	120026.00	√	672	C145K17FB3	44	115/208-230	None	8.6	1.0	13.25	S, US, 53	
1800	145T	LM24711	C/A	702	SSF4S1.5T1B6028	42	115/208-230	None	7.6	1.15	13.87	S, MX, 53	
1800	145T	120009.00	√	771	M145K17FB2	42	115/208-230	Man.	8.6	1.0	13.25	S, US, 53	
1800	145T	LM24746	C/A	807	SSF4S1.5T1B6028TP1	43	115/208-230	Man.	7.6	1.15	13.87	S, MX, 53	
1200	184T	131526.00	√	1773	C184C11FB2	69	115/208-230	None	11.0	1.0	15.46	S, MX	

Green items are Premium Efficient

♥ Note listing on inside back flap

▼ LM Numbers are Lincoln Models

Continued On Next Page

C/A - Check Availability

Specifications are subject to change without notice



View On-line Technical Information



Single Phase TEFC Motors

Capacitor Start – General Purpose

Single Phase - TEFC - Rigid Base

HP	SYN RPM 60 Hz	NEMA Frame	▼ Catalog Number	Stock	List Price	Model Number	App. Wgt. (lbs)	Voltage	Over-load Prot.	F. L. Amps @ 230 V	Service Factor	"C" Dim. (Inches)	♥ Notes
2	3600	56H	110352.00	√	831	C6C34FB21	41	115/208-230	None	10.0	1.0	13.31	S, US
	3600	56H	LM24533	C/A	869	SRF2ST1B6028	40	115/208-230	None	9.0	1.15	13.32	S, MX, 53
	3600	56H	110402.00	√	871	P6C34FB23	41	115/208-230	Man.	10.0	1.0	13.31	S, US
	3600	56H	LM24534	C/A	914	SRF2S2T1B6028TP1	40	115/208-230	Man.	9.0	1.15	13.32	S, MX, 53
	3600	145T	120036.00	√	837	C145C34FB1	42	115/208-230	None	10.0	1.0	13.75	S, US
	3600	145T	LM24712	C/A	869	SRF2ST1B6028	54	115/208-230	None	9.0	1.15	13.37	S, MX, 53
	3600	145T	120395.00	√	880	P145C34FB5	44	115/208-230	Man.	10.0	1.0	13.75	S, US
	3600	145T	LM24747	C/A	914	SSF2S2T1B6028TP1	40	115/208-230	Man.	9.0	1.15	13.37	S, MX, 53
1800	56HZ	113770.00	√	1227	M6K17FB38	49	115/208-230	Man.	8.2	1.15	14.25	S, US, 3, 53	
	145T	121507.00	√	1098	C145K17FB24	48	115/208-230	None	9.2	1.15	13.75	S, US, 53	
	145T	120867.00	√	1107	P145K17FB22	48	115/208-230	Man.	9.2	1.0	13.75	S, US, 53	
	182T	131509.00	√	963	C182C17FB11	65	115/208-230	None	12.4	1.0	14.46	S, MX	
	182T	LM24713	√	996	SS18F4S21B028	54	115/208-230	None	12.4	1.15	14.46	S, MX, 53	
	1200	215T	140747.00	√	2630	C215K11FB3A	118	115/208-230	None	11.2	1.15	18.71	S, MX, 53
3	3600	56H	116705.00	√	908	P6K34FB31	53	208-230	Man.	14.0	1.0	13.81	S, US, 53
	3600	145T	LM24748	√	936	SS145F2S3T1B6028TP1	48	208-230	Man.	11.8	1.15	14.87	S, MX, 53
	3600	145T	120341.00	√	903	C145K34FB3	46	230	None	13.0	1.0	14.25	S, US, 53
	3600	145T	LM24714	√	936	SS14F2S3T1B6008	48	208-230	None	11.8	1.15	14.87	S, MX, 53
	3600	182T	131637.00	√	994	C182K34FB2	78	115/208-230	None	13.4	1.15	14.96	S, MX, 53
	3600	182T	LM24715	C/A	1017	SSF2S3T1B6028	69	115/208-230	None	12.3	1.00	16.15	S, MX, 53
	1800	184T	131533.00	√	1136	C184C17FB12	83	115/230	None	16.8	1.0	16.46	S, MX
	1800	184T	LM24716	C/A	1164	SS184F4S3T1C6028	99	115/208-230	None	16.8	1.00	16.46	S, MX
5	1800	184T	131855.00	√	1227	P184K17FB26	88	230	Man.	13.6	1.15	14.96	S, MX, 53
	3600	184T	131549.00	√	1375	C184K34FB6	93	230	None	19.8	1.15	16.96	S, MX, 53
	3600	184T	LM24717	C/A	1407	SSF2S5T1B6008	98	208-230	None	22.4	1.00	17.36	S, MX, 53
	3600	184T	132042.00	√	1533	P184K34FB9	103	230	Man.	19.8	1.15	16.97	S, MX, 53
	1800	184T	131538.00	√	1382	C184K17FB15	95	230	None	23.0	1.0	17.46	S, MX, 53
	1800	184T	LM24718	√	1389	SSF4S5T1B6008	98	208-230	None	21.7	1.00	17.46	S, MX, 53
	1800	184T	131856.00	√	1426	P184K17FB25	95	230	Man.	21.0	1.0	15.96	S, MX, 53
7 1/2	3600	213T	140684.00	√	1766	C213K34FB1	120	208-230	None	32.0	1.0	18.34	S, MX, 53
	3600	213T	LM24719	√	1903	DDF2S7.51B6008	120	208-230	None	32.0	1.00	18.73	S, MX, 53
	1800	215T	140120.00	√	1793	N215K17FB1	169	230	None	33.6	1.15	20.21	S, MX, 53
	1800	215T	LM24720	√	1837	SS215F4S7.5T1B6008	133	208-230	None	30.0	1.00	21.09	S, MX, 53
10	3600	215T	140685.00	√	2167	C215K34FB1	138	208-230	None	41.5	1.0	19.84	S, MX, 53
	3600	215T	LM24721	√	2335	SSF2S10T1B6008	138	208-230	None	41.5	1.00	20.23	S, MX, 53
	1800	215T	140581.00	√	2058	C215K17FB12	202	230	None	40.0	1.15	20.71	S, MX, 53
	1800	215T	LM24722	√	2384	SSF4S10T1B66	155	230	None	41.5	1.00	21.09	S, MX, 53

Green items are Premium Efficient

♥ Note listing on inside back flap

▼ LM Numbers are Lincoln Models

C/A - Check Availability

Specifications are subject to change without notice

View On-line Technical Information



Single Phase
ODP Motors

Single Phase
TEFC Motors

Single Phase
C Face Motors

Three Phase
ODP Motors

Three Phase
TEFC Motors

Three Phase
C Face Motors

Inverter Duty
Motors

Severe Duty
Motors

Explosion Proof
Motors

Single Phase TEFC Motors

Wattsaver e® Premium Efficiency Motors

Features:

- High starting torque
- Capacitor start / capacitor run designs for higher efficiency
- Reduced running amps
- Energy saving designs



Single Phase - TEFC - Rigid Base

HP	SYN RPM 60 Hz	NEMA Frame	Catalog Number	Stock	List Price	Model Number	App. Wgt. (lbs)	Voltage	Over-load Prot.	F. L. Amps @ 230 V	Service Factor	% F.L. Eff.	"C" Dim. (Inches)	♥ Notes
1/3	1800	56	113765.00	✓	522	M6K17FB33	27	115/208-230	Man.	1.7	1.15	76	10.81	S, US
1/2	1800	56	113766.00	✓	580	M6K17FB34	30	115/208-230	Man.	2.5	1.15	78	11.31	S, US
3/4	1800	56	113767.00	✓	684	M6K17FB35	35	115/208-230	Man.	3.2	1.15	82	11.81	S, US
1	1800	56	113768.00	✓	785	M6K17FB36	37	115/208-230	Man.	4.2	1.15	83	12.31	S, US
1 1/2	1800	56H	113769.00	✓	892	M6K17FB37	43	115/208-230	Man.	6.5	1.15	84	13.31	S, US
2	1800	56HZ	113770.00	✓	1227	M6K17FB38	49	230	Man.	8.2	1.15	85	14.25	S, US

Green items are Premium Efficient

♥ Note listing on inside back flap

Specifications are subject to change without notice

Single Phase TENV - General Purpose

Single Phase - TENV - Rigid Base

HP	SYN RPM 60 Hz	NEMA Frame	Catalog Number	Stock	List Price	Model Number	App. Wgt. (lbs)	Voltage	Over-load Prot.	F. L. Amps @ 230 V	Service Factor	"C" Dim. (Inches)	♥ Notes
1/6	3600	42	092011.00	✓	332	C42C34NB1	16	115/208-230	None	1.0	1.0	9.56	S, US
	1800	42	092012.00	C/A	352	C42C17NB1	21	115/208-230	None	1.8	1.0	10.56	S, US
1/4	3600	42	092013.00	C/A	356	C42C34NB2	21	115/208-230	None	1.7	1.0	10.56	S, US
	1800	48	100361.00	✓	341	C4C17NB4	17	115/208-230	None	2.2	1.15	9.43	S, MX
	1800	S56	102914.00	✓	345	C4C17NH9	24	115/208-230	None	2.3	1.15	9.81	S, MX
	1800	S56	102915.00	✓	389	A4C17NH10	23	115/208-230	Auto.	2.3	1.15	9.81	S, MX
1/3	3600	48	100362.00	✓	328	C4C34NB2	24	115/208-230	None	2.0	1.0	9.93	S, MX
	1800	S56	102912.00	✓	378	C4C17NH7	25	115/208-230	None	2.6	1.15	10.81	S, MX
	1800	S56	102913.00	✓	433	M4C17NH8	25	115/208-230	Man.	2.6	1.15	10.31	S, MX
	1800	S56	102911.00	✓	429	A4C17NH6	24	115/208-230	Auto.	2.6	1.15	10.31	S, MX
1/2	3600	48	100366.00	✓	376	C4C34NB3	27	115/208-230	None	2.9	1.0	10.43	S, MX

C/A - Check Availability

♥ Note listing on inside back flap

Specifications are subject to change without notice



View On-line Technical Information

Single Phase TEFC Motors

Pressure Washer Pump Motors - Resilient Base Motors

General Specifications:

Motors specially suited for hot or cold pressure washer applications and other single phase installations requiring minimum starting and running amperages.



Mechanical Features:

- Double shielded ball bearings
- Dynamically balanced rotors

Electrical Features:

- Windings dipped in heavy duty varnish system
- Capacitor start / capacitor run designs to reduce amp draw
- Manual reset overload protection

Single Phase - TEFC - Rigid Base

HP	SYN RPM 60 Hz	NEMA Frame	Catalog Number	Stock	List Price	Model Number	App. Wgt. (lbs)	Voltage	Over-load Prot.	F. L. Amps @ 230 V	Service Factor	"C" Dim. (Inches)	♥ Notes
3/4	3600	56	110108.00	✓	443	M6C34FB7	26	115/208-230	Man.	5.0	1.15	11.31	S, US
	1800	56	110022.00	✓	602	M6C17FB7	29	115/208-230	Man.	5.4	1.15	11.31	S, US
1	3600	56	110142.00	✓	542	M6C34FB2	28	115/208-230	Man.	6.0	1.15	11.81	S, US
	1800	56	110023.00	✓	681	M6C17FB8	29	115/208-230	Man.	6.4	1.15	11.81	S, US
	1800	143T	120008.00	✓	681	M143C17FB2	31	115/208-230	Man.	6.4	1.15	12.75	S, US
1 1/2	3600	56	110109.00	✓	746	M6C34FB8	31	115/208-230	Man.	8.5	1.0	12.31	S, US
	1800	56H	113333.00	✓	771	M6K17FB32	38	115/208-230	Man.	8.6	1.0	12.81	S, US, 6, 53
	1800	145T	120009.00	✓	771	M145K17FB2	42	115/208-230	Man.	8.6	1.0	13.25	S, US, 53
2	3600	56H	110402.00	✓	871	P6C34FB23	41	115/208-230	Man.	10.0	1.0	13.31	S, US, 6, 53
	3600	145T	120395.00	✓	880	P145C34FB5	44	115/208-230	Man.	10.0	1.0	13.75	S, US
	1800	145T	120867.00	✓	1,107	P145K17FB22	48	115/208-230	Man.	9.2	1.0	13.75	S, US, 53
3	3600	56H	116705.00	✓	908	P6K34FB31	53	230	Man.	14.0	1.0	13.81	S, US, 6, 53
	1800	184T	131855.00	✓	1,227	P184K17FB26	88	230	Man.	13.7	1.15	16.86	S, MX, 53
5	3600	184T	132042.00	✓	1,533	P184K34FB9	103	230	Man.	19.8	1.15	16.97	S, MX, 53
	1800	184T	131856.00	✓	1,426	P184K17FB25	95	230	Man.	21.0	1.0	17.86	S, MX, 53

Specifications are subject to change without notice

♥ Note listing on inside back flap

Resilient Base Motors - Single Phase - General Purpose or Fan Duty

General Specifications:

- Industrial quality resilient base
- Moderate starting torque
- Belt driven fans or fan on shaft applications
- Capacitor start designs

Single Phase - TEFC • Resilient Base



HP	SYN RPM 60 Hz	NEMA Frame	Catalog Number	Stock	List Price	Model Number	App. Wgt. (lbs)	Voltage	Over-load Prot.	F. L. Amps @ 230 V	Service Factor	"C" Dim. (Inches)	♥ Notes
1/2	1800	56	110025.00	✓	527	A6C17FR1	26	115/208-230	Auto.	4.4	1.15	11.96	S, US
3/4	1800	56	110026.00	✓	631	A6C17FR2	28	115/208-230	Auto.	5.4	1.15	12.46	S, US
1	1800	56H	111915.00	✓	717	A6C17FR10	31	115/208-230	Auto.	6.4	1.15	12.96	S, US, 6

Specifications are subject to change without notice

♥ Note listing on inside back flap

View On-line Technical Information



Single Phase
ODP Motors

Single Phase
TEFC Motors

Single Phase
C Face Motors

Three Phase
ODP Motors

Three Phase
TEFC Motors

Three Phase
C Face Motors

Inverter Duty
Motors

Severe Duty
Motors

Explosion Proof
Motors

Single Phase C Face Motors

**General Purpose – Drip-Proof & Totally Enclosed -
115/208-230V – Rigid Mount and Round Body
1/6 HP – 10 HP – Frame sizes - 48 – 215T**



- Durable rolled steel construction
- NEMA Design B performance
- Meets or exceed NEMA service factors
- Double shielded ball bearings
- Continuous duty
- Thermally protected ratings
- UL recognized component listing and CSA certified
- 1-year warranty on general purpose motors

Applications:

Same applications as used on our general purpose ODP and enclosed single phase motors, only having NEMA C Face mount, which allows direct mounting to a pump or gear reducer or other direct coupled equipment.



Single Phase - C Face Motors

Drip-Proof - Capacitor Start

General Purpose - C Face Less Base

Single Phase - Drip-Proof - C Face Less Base

HP	SYN RPM 60 Hz	NEMA Frame	▼ Catalog Number	Stock	List Price	Model Number	App. Wgt. (lbs)	Voltage	Over-load Prot.	F. L. Amps @ 230 V	Service Factor	"C" Dim. (Inches)	♥ Notes	
1/4	1800	S56C	100023.00	✓	344	C4C17DC7	17	115/208-230	None	2.7	1.35	9.24	S, MX	
	1800	S56C	LM24569	C/A	352	SRD4S0.25TLCN1C6028	17	115/208-230	None	2.5	1.35	10.69	S, MX	
	1800	S56C	101521.00	✓	362	A4C17DC79	17	115/208-230	Auto.	2.7	1.35	9.24	S, MX	
1/3	3600	S56C	100354.00	✓	293	C4C34DC11	17	115/208-230	None	2.8	1.35	8.99	S, MX	
	3600	S56C	LM24688	C/A	306	SRD2S0.33TLCN1C6028	16	115/208-230	None	2.2	1.15	10.19	S, MX	
	3600	S56C	100355.00	✓	308	A4C34DC12	17	115/208-230	Auto.	2.8	1.35	8.99	S, MX	
1800	S56C	100024.00	✓	388	C4C17DC8	17	115/208-230	None	3.3	1.35	9.24	S, MX		
	S56C	LM24571	✓	403	SRD4S0.33TLCN1C6028	17	115/208-230	None	3.2	1.35	10.69	S, MX		
	S56C	100018.00	✓	419	M4C17DC2	18	115/208-230	Man.	3.3	1.35	9.24	S, MX		
	S56C	101522.00	✓	410	A4C17DC81	17	115/208-230	Auto.	3.3	1.35	9.24	S, MX		
	1/2	3600	S56C	100356.00	✓	308	C4C34DC13	19	115/208-230	None	3.4	1.25	9.99	S, MX
		3600	S56C	LM24689	C/A	321	SRD2S0.5TLCN1C6028	17	115/208-230	None	4.2	1.25	10.69	S, MX
3600		S56C	100054.00	✓	332	A4C34DC1	18	115/208-230	Auto.	3.4	1.25	9.99	S, MX	
1800	S56C	100025.00	✓	440	C4C17DC9	19	115/208-230	None	4.4	1.25	9.99	S, MX		
	S56C	LM24555	C/A	461	SRDAS0.5TLCN1C6028	21	115/208-230	None	4.3	1.25	11.19	S, MX		
	S56C	100019.00	✓	474	M4C17DC3	21	115/208-230	Man.	4.4	1.25	9.99	S, MX		
	S56C	100020.00	✓	464	A4C17DC4	20	115/208-230	Auto.	4.4	1.25	9.99	S, MX		
	1200	56C	110381.00	✓	800	C6C11DC2	32	115/208-230	None	5.0	1.25	11.38	S, US	
	1200	56C	LM24544	C/A	837	SRD6S0.5LCN1C6028	33	115/208-230	None	5.3	1.25	11.94	S, MX	
3/4	3600	S56C	100357.00	✓	397	C4C34DC14	24	115/208-230	None	4.9	1.25	10.49	S, MX	
	3600	S56C	LM24690	C/A	416	SRD2S0.75TLCN1C6028	19	115/208-230	None	4.8	1.25	10.9	S, MX	
	3600	S56C	100055.00	✓	435	A4C34DC2	24	115/208-230	Auto.	4.9	1.25	10.49	S, MX	
1800	S56C	100026.00	✓	531	C4C17DC10	24	115/208-230	None	5.4	1.25	10.99	S, MX		
	S56C	LM24505	✓	557	SRD4S0.75TLCN1B6028	25	115/208-230	None	5.5	1.25	11.72	S, MX, 53		
	S56C	100021.00	✓	572	M4C17DC5	24	115/208-230	Man.	5.4	1.25	10.99	S, MX		
	S56C	101523.00	✓	567	A4C17DC80	26	115/208-230	Auto.	5.4	1.25	10.99	S, MX		
	1200	56C	110382.00	✓	890	C6C11DC3	46	115/208-230	None	6.4	1.15	12.88	S, US	
	1200	56C	LM24691	C/A	935	SRD6S0.75TLCN1C6028	37	115/208-230	None	6.4	1.15	12.88	S, MX	
1	3600	56C	110384.00	✓	424	C6C34DC24	28	115/208-230	None	6.0	1.25	10.88	S, US	
	3600	S56C	LM24526	C/A	440	SRD2S1TLCN1B6028	24	115/208-230	None	5.3	1.25	11.69	S, MX, 53	
	3600	56C	113337.00	C/A	474	A6C34DC53	28	115/208-230	Auto.	6.0	1.25	10.84	S, US	
1800	56C	110220.00	✓	564	C6C17DC3	30	115/208-230	None	6.4	1.15	10.88	S, US		
	56C	LM24586	C/A	588	SRD4S1TLCN1C6028	29	115/208-230	None	6.7	1.15	11.44	S, MX		
	56C	110036.00	✓	594	M6C17DC1	27	115/208-230	Man.	6.4	1.15	10.88	S, US		
	143TC	121002.00	✓	610	C143C17DC2	31	115/208-230	None	6.4	1.15	11.28	S, US		
	143TC	LM24692	C/A	639	SSD4S1TLCN1C6028	32	115/208-230	None	6.4	1.15	11.28	S, MX		

▼ LM Numbers are Lincoln Models

♥ Note listing on inside back flap

C/A - Check Availability

Continued On Next Page

Specifications are subject to change without notice

View On-line Technical Information



Single Phase
ODP Motors

Single Phase
TEFC Motors

Single Phase
C Face Motors

Three Phase
ODP Motors

Three Phase
TEFC Motors

Three Phase
C Face Motors

Inverter Duty
Motors

Severe Duty
Motors

Explosion Proof
Motors

Single Phase - C Face Motors

Drip-Proof - Capacitor Start

General Purpose - C Face Less Base

Single Phase - Drip-Proof - C Face Less Base

HP	SYN RPM 60 Hz	NEMA Frame	▼ Catalog Number	Stock	List Price	Model Number	App. Wgt. (lbs)	Voltage	Over- load Prot.	F. L. Amps @ 230 V	Service Factor	"C" Dim. (Inches)	♥ Notes
1 1/2	3600	56C	110387.00	√	585	C6C34DC26	28	115/208-230	None	8.2	1.15	10.84	S, US
	3600	56C	LM24523	C/A	610	SRD2S1.5TLCN1B6028	26	115/208-230	None	8.2	1.15	10.84	S, MX, 53
	3600	56C	113336.00	√	619	A6C34DC52	28	115/208-230	Auto.	8.2	1.15	10.84	S, US
	1800	56C	110388.00	√	681	C6K17DC4	38	115/208-230	None	8.6	1.15	11.84	S, US, 53
	1800	56HC	LM24587	C/A	713	SRD4S1.5TLCN1C6028	39	115/208-230	None	9.0	1.15	12.44	S, MX
	1800	56C	110037.00	√	715	P6K17DC1	39	115/208-230	Man.	8.6	1.15	11.84	S, US, 53
2	3600	56C	110390.00	√	766	C6C34DC28	37	115/208-230	None	10.0	1.15	11.84	S, US
	3600	56HC	LM24527	C/A	799	SRD2S2TLCN1B6028	33	115/208-230	None	9.6	1.15	11.44	S, MX, 53
	3600	56C	113335.00	C/A	800	U6C34DC51	36	115/208-230	Auto.	10.0	1.15	11.84	S, US
	3600	145TC	121184.00	√	780	C145C34DC4	37	115/208-230	None	10.0	1.15	12.28	S, US
	3600	145TC	LM24693	C/A	807	SSD2S2TLCN1B6028	40	115/208-230	None	10.0	1.15	12.28	S, MX, 53
	1800	56C	LM24507	√	803	SRD4S2TLCN1B6028	48	115/208-230	None	10.5	1.15	13.44	S, MX, 53
1800	145TC	120073.00	√	773	C145K17DC4	49	115/208-230	None	10.5	1.15	13.28	S, US, 53	
	145TC	LM24694	C/A	808	SSD4S2TLCN1B6028	50	115/208-230	None	10.5	1.15	13.49	S, MX, 53	
	3600	56C	113334.00	√	815	P6C34DC50	36	230	Auto.	15.0	1.0	11.84	S, US
3	1800	184TC	131544.00	√	900	C184C17DC5	73	115/208-230	None	16.9	1.15	14.19	S, MX
	1800	184TC	LM24695	C/A	918	SS184D4S3TLCN1C6028	78	115/208-230	None	16.5	1.15	16.07	S, MX
	5	3600	184TC	131777.00	√	1205	C184K34DC2	70	208-230	None	22.2	1.15	14.69
5	1800	184TC	131539.00	√	1253	C184K17DC6	81	230	None	21.0	1.15	14.69	S, MX, 53
	1800	184TC	LM24696	C/A	1286	SSD4S5TLCN1B6008	94	208-230	None	21.0	1.15	16.46	S, MX, 53

▼ LM Numbers are Lincoln Models

♥ Note listing on inside back flap

C/A - Check Availability

Specifications are subject to change without notice



View On-line Technical Information



Single Phase - C Face Motors

Drip-Proof - Capacitor Start

Single Phase
ODP Motors

Single Phase
TEFC Motors

Single Phase
C Face Motors

Three Phase
ODP Motors

Three Phase
TEFC Motors

Three Phase
C Face Motors

Inverter Duty
Motors

Severe Duty
Motors

Explosion Proof
Motors

Single Phase - Drip-Proof - C Face With Base

HP	SYN RPM 60 Hz	NEMA Frame	▼ Catalog Number	Stock	List Price	Model Number	App. Wgt. (lbs)	Voltage	Over-load Prot.	F. L. Amps @ 230 V	Service Factor	"C" Dim. (Inches)	♥Notes
1/3	1800	S56C	103023.00	√	398	C4C17DK32	18	115/208-230	None	3.3	1.35	9.24	S, MX
	1800	S56C	103083.00	√	398	M4C17DK37	18	115/208-230	Man.	3.3	1.35	9.24	S, MX
1/2	3600	S56C	103024.00	√	361	C4C34DK10	20	115/208-230	None	3.4	1.25	9.99	S, MX
	1800	S56C	101651.00	√	481	C4C17DK18	21	115/208-230	None	4.4	1.25	9.99	S, MX
	1800	56C	LM24697	C/A	502	SRD4S0.5TLC1C6028	22	115/208-230	None	4.4	1.25	10.44	S, MX
	1800	S56C	103084.00	√	481	M4C17DK38	21	115/208-230	Man.	4.4	1.25	9.99	S, MX
3/4	3600	S56C	103025.00	√	424	C4C34DK11	24	115/208-230	None	4.9	1.25	10.49	S, MX
	1800	S56C	101650.00	√	557	C4C17DK19	27	115/208-230	None	5.4	1.25	10.99	S, MX
	1800	56C	LM24699	C/A	583	SRD4S0.75TLC1B6028	26	115/208-230	None	6.0	1.25	10.94	S, MX, 53
	1800	S56C	103086.00	√	557	M4C17DK39	27	115/208-230	Man.	5.4	1.25	10.99	S, MX
1	3600	56C	116769.00	√	449	C6C34DK6	28	115/208-230	None	6.0	1.25	10.84	S, US
	1800	56C	113930.00	√	637	C6C17DK11	34	115/208-230	None	6.4	1.15	10.88	S, US
	1800	56C	LM24700	C/A	665	SRD4S1TLC1C6028	30	115/208-230	None	6.7	1.15	11.44	S, MX
1 1/2	3600	56C	116770.00	C/A	604	C6K34DK19	35	115/208-230	None	6.2	1.15	11.34	S, US, 53
	3600	56C	114214.00	√	615	M6K34DK8	35	115/208-230	Man.	6.2	1.15	11.34	S, US, 53
	1800	56HC	113932.00	√	687	C6K17DK16	39	115/208-230	None	8.6	1.15	11.84	S, US, 53
	1800	145TC	LM24701	C/A	711	SRD4S1.5TLC1C6028		115/208-230	None	7.2	1.15	11.84	S, MX
	1800	56HC	113700.00	√	812	M6K17DK15	38	115/208-230	Man.	7.2	1.15	11.84	S, US, 53
2	3600	56C	116771.00	√	768	C6K34DK20	35	115/208-230	None	8.6	1.15	11.34	S, US, 53
	3600	56C	114215.00	√	780	P6K34DK9	35	115/208-230	Man.	8.6	1.15	11.34	S, US, 53
	1800	56HC	113281.00	√	841	P6K17DK12	45	115/208-230	Man.	8.6	1.15	12.88	S, US, 53
	1800	145TC	120992.00	√	735	C145K17DK7	45	115/230	None	10.5	1.15	13.28	S, US, 53
	1800	145TC	LM24698	C/A	765	SSD4S2TLC1B6028		115/208-230	None	10.5	1.15	13.28	S, MX, 53
3	3600	56HC	116707.00	√	852	M6C34DK5	41	230	Man.	15.0	1.0	12.38	S, US
	3600	182TC	132083.00	√	959	C182K34DK2	74	115/208-230	None	14.0	1.15	14.18	S, MX, 53
	1800	184TC	131629.00	√	1023	P184C17DK3	70	115/208-230	Man.	16.9	1.15	14.19	S, MX
	1800	184TC	131853.00	√	1022	C184K17DK18	87	208-230	Man.	15.4	1.15	15.96	S, MX, 53
5	3600	56HC	116709.00	√	872	P6K34DK18	46	230	Man.	20.8	1.0	13.34	S, US, 53
	3600	184TC	131781.00	√	1209	C184K34DK4	70	208-230	None	22.2	1.15	14.19	S, MX, 53
	1800	184TC	131630.00	√	1257	M184K17DK13	77	208-230	Man.	21.0	1.15	14.69	S, MX, 53
7 1/2	3600	184TC	132043.00	√	1254	C184K34DK8	112	208-230	Auto.	31.0	1.15	16.69	S, MX, 53
	1800	215TC	140806.00	√	1292	C215K17DB5	120	208-230	None	36.0	1.15	17.26	S, MX, 53

▼ LM Numbers are Lincoln Models

♥ Note listing on inside back flap

C/A - Check Availability

Specifications are subject to change without notice

View On-line Technical Information



Single Phase - C Face Motors

Totally Enclosed - Capacitor Start - General Purpose

Single Phase - Totally Enclosed - C Face Less Base

HP	SYN RPM 60 Hz	NEMA Frame	▼ Catalog Number	Stock	List Price	Model Number	App. Wgt. (lbs)	Voltage	Over- load Prot.	F. L. Amps @ 230 V	Service Factor	"C" Dim. (Inches)	♥Notes
1/6	1800	48CZ	102661.00	√	341	C4C17FC25	14	115/208-230	None	2.0	1.15	9.19	S, MX, 25
1/4	1800	48CZ	101765.00	√	389	C4C17FC10	18	115/208-230	None	2.7	1.15	9.19	S, MX, 25
		S56C	102868.00	√	387	C4C17NC26	22	115/208-230	None	2.3	1.15	9.8	S, MX
	1800	S56C	LM24733	√	371	SRN4S0.25TLCN1C6028	18	115/208-230	None	2.1	1.0	9.94	S, MX
	1800	S56C	102866.00	√	387	C4C17FC34	18	115/208-230	None	2.7	1.15	9.44	S, MX
1/3	3600	S56C	102870.00	√	332	C4C34FC13	20	115/208-230	None	2.8	1.15	9.44	S, MX
		S56C	102873.00	√	332	C4C34NC15	24	115/208-230	None	1.9	1.0	9.3	S, MX
		S56C	LM24734	√	369	SRN2S0.33TLCN1C6028	20	115/208-230	None	2.2	1.15	10.19	S, MX
	1800	48CZ	102663.00	√	403	C4C17FC26	19	115/208-230	None	3.3	1.15	9.69	S, MX, 25
		S56C	101766.00	√	419	C4C17FC9	22	115/208-230	None	3.3	1.15	9.94	S, MX
		S56C	102867.00	√	416	C4C17NC25	23	115/208-230	None	2.6	1.15	10.3	S, MX
1800	S56C	LM24598	√	403	SRF4S0.33TLCN1C6028	19	115/208-230	None	3.9	1.15	12.32	S, MX	
	S56C	102869.00	√	439	M4C17NC27	25	115/208-230	Man.	2.6	1.15	10.3	S, MX	
1200	56C	LM24735	√	616	SRF6S0.33TLCN1C6028	28	115/208-230	None	3.9	1.15	12.32	S, MX	
1/2	3600	S56C	102864.00	√	374	C4C34FC12	22	115/208-230	None	3.5	1.15	9.94	S, MX
		56C	LM24736	√	419	SRF2S0.5TLCN1C6028	23	115/208-230	None	4.2	1.15	11.82	S, MX
	3600	S56C	102872.00	√	398	M4C34FC14	25	115/208-230	Man.	3.5	1.15	9.94	S, MX
	1800	48CZ	102665.00	√	470	C4C17FC27	22	115/208-230	None	4.0	1.0	10.44	S, MX, 25
S56C		102862.00	√	481	C4C17FC32	21	115/208-230	None	4.0	1.15	10.69	S, MX	
56C		LM24599	√	478	SRF4S0.5TLCN1C6028	24	115/208-230	None	4.4	1.15	11.19	S, MX	
S56C		102865.00	√	509	M4C17FC33	22	115/208-230	Man.	4.0	1.15	10.69	S, MX	
S56C		102871.00	√	502	A4C17FC35	24	115/208-230	Auto.	4.0	1.15	10.69	S, MX	
1200		56C	110411.00	√	848	C6C11FC1	37	115/208-230	None	4.9	1.0	12.81	S, US
1200	S56C	LM24737	C/A	663	SRF6S0.5TLCN1B6028	36	115/208-230	None	5.1	1.15	13.32	S, MX	
3/4	3600	56C	110413.00	√	439	C6C34FC8	26	115/208-230	None	5.0	1.15	11.31	S, US
		56C	LM24738	√	439	SRF2S0.75TLCN1C5028	30	115/208-230	None	5.3	1.15	12.32	S, MX
		56C	110412.00	√	456	M6C34FC7	28	115/208-230	Man.	5.0	1.15	11.31	S, US
	1800	56C	110057.00	√	572	C6C17FC6	25	115/208-230	None	5.4	1.15	11.31	S, US
		56C	LM24613	√	510	SRF4S0.75TLCN1C6028	30	115/208-230	None	5.5	1.15	12.32	S, MX
		56C	110040.00	√	603	M6C17FC2	26	115/208-230	Man.	5.4	1.15	11.31	S, US
1800	56C	110308.00	√	594	A6C17FC8	28	115/208-230	Auto.	5.4	1.15	11.31	S, US	
	1200	56C	110414.00	√	955	C6K11FC2	42	115/208-230	None	5.3	1.0	13.31	S, US, 53
	1200	56C	LM24739	√	695	SRF60.75TLCN1B6028	41	115/208-230	None	5.7	1.15	13.82	S, MX, 53

▼ LM Numbers are Lincoln Models

♥ Note listing on inside back flap

C/A - Check Availability

Continued On Next Page

Specifications are subject to change without notice



View On-line Technical Information

Single Phase - C Face Motors

Totally Enclosed - Capacitor Start - General Purpose

Single Phase - Totally Enclosed - C Face Less Base

HP	SYN RPM 60 Hz	NEMA Frame	▼ Catalog Number	Stock	List Price	Model Number	App. Wgt. (lbs)	Voltage	Over-load Prot.	F. L. Amps @ 230 V	Service Factor	"C" Dim. (Inches)	♥Notes	
1	3600	56C	110416.00	✓	514	C6C34FC10	28	115/208-230	None	6.0	1.15	11.81	S, US	
	3600	56C	LM24740	✓	520	SRF2S1TLCN1C6028	31	115/208-230	None	6.2	1.15	12.32	S, MX	
	3600	56C	110415.00	✓	563	M6C34FC9	28	115/208-230	Man.	6.0	1.15	11.81	S, US	
	1800	56C	110058.00	✓	659	C6C17FC7	33	115/208-230	None	6.4	1.15	11.81	S, US	
	1800	56C	LM24614	✓	545	SRF4S1TLCN1C6028	32	115/208-230	None	6.7	1.15	12.82	S, MX	
	1800	56C	110041.00	✓	688	M6C17FC3	29	115/208-230	Man.	6.4	1.15	11.81	S, US	
	1800	143TC	121001.00	✓	747	C143C17FC2	32	115/208-230	None	6.4	1.15	12.25	S, US	
	1800	143TC	LM24741	C/A	545	SSF4S1TLCN1C6028	35	115/208-230	None	6.7	1.15	12.87	S, MX	
	1 1/2	3600	56C	110419.00	✓	661	C6C34FC12	31	115/208-230	None	8.5	1.0	12.31	S, US
3600		56C	LM24535	✓	570	SRF2S1.5TLCN1B6028	35	115/208-230	None	7.1	1.15	12.82	S, MX, 53	
3600		56C	110418.00	✓	693	M6C34FC11	31	115/208-230	Man.	8.5	1.0	12.31	S, US	
3600		143TC	120101.00	✓	747	C143C34FC1	36	115/208-230	None	8.5	1.0	12.75	S, US	
1800		56C	110420.00	✓	742	C6K17FC2	37	115/208-230	None	8.6	1.0	12.81	S, US, 53	
1800		56C	LM24622	✓	578	SRF4S1.5TLCN1B6028	41	115/208-230	None	7.6	1.15	13.82	S, MX, 53	
1800		56C	110042.00	✓	773	M6K17FC1	40	115/208-230	Man.	8.6	1.0	12.81	S, US	
1800		145TC	120017.00	✓	845	C145K17FC3	40	115/208-230	None	8.6	1.0	13.75	S, US, 53	
2		3600	56C	110422.00	✓	841	C6C34FC14	40	115/208-230	None	10.0	1.0	13.31	S, US
	3600	56C	LM24530	✓	650	SRF2S2TLCNB6038	40	115/208-230	None	9.0	1.15	13.32	S, MX, 53	
	3600	56C	110421.00	✓	871	P6C34FC13	41	115/208-230	Man.	10.0	1.0	13.31	S, US	
	3600	145TC	120102.00	✓	872	C145C34FC2	43	115/208-230	None	10.0	1.0	13.75	S, US	
	1800	56C	112136.00	✓	994	C6K17FC9	41	115/230	None	9.2	1.0	13.31	S, US, 53	
	1800	145TC	120060.00	✓	1017	P145K17FC2	45	115/230	Man.	10.0	1.0	14.25	S, US, 53	
	1800	182TC	131516.00	✓	1324	C182C17FC3	64	115/208-230	None	12.4	1.0	14.47	S, MX	
	3	3600	145TC	120824.00	✓	976	P145K34FC6	56	230	Man.	13.0	1.0	14.25	S, US, 53
		3600	145TC	LM24742	C/A	742	SS145F2S3TLCN1B6008	48	115/208-230	None	11.8	1.15	14.87	S, MX, 53
1800		184TC	131545.00	✓	1560	C184C17FC4	82	115/208-230	None	16.8	1.0	16.47	S, MX	
5	3600	184TC	131778.00	✓	1566	C184K34FC2	81	208-230	None	19.8	1.15	16.97	S, MX, 53	
	1800	184TC	131540.00	✓	1625	C184K17FC6	104	230	None	23.0	1.0	17.47	S, MX, 53	

▼ LM Numbers are Lincoln Models

♥ Note listing on inside back flap

C/A - Check Availability

Continued On Next Page

Specifications are subject to change without notice

View On-line Technical Information



Single Phase
ODP Motors

Single Phase
TEFC Motors

Single Phase
C Face Motors

Three Phase
ODP Motors

Three Phase
TEFC Motors

Three Phase
C Face Motors

Inverter Duty
Motors

Severe Duty
Motors

Explosion Proof
Motors

Single Phase C Face Motors

Totally Enclosed - Capacitor Start - General Purpose

Single Phase - Totally Enclosed - C Face With Base

HP	SYN RPM 60 Hz	NEMA Frame	▼ Catalog Number	Stock	List Price	Model Number	App. Wgt. (lbs)	Voltage	Over-load Prot.	F. L. Amps @ 230 V	Service Factor	"C" Dim. (Inches)	♥ Notes
1/4	1800	S56C	102916.00	√	396	C4C17FK4	22	115/208-230	None	2.7	1.15	9.69	S, MX
	1800	S56C	LM24723	√	415	SRF4S0.25TLC6028	17	115/208-230	None	2.1	1.15	10.19	S, MX
1/3	3600	S56C	102929.00	√	393	C4C34FK16	22	115/208-230	None	2.8	1.15	9.69	S, MX
	3600	56C	LM24724	C/A	410	SRF2S0.33TLC1C6028	21	115/208-230	None	3.5	1.15	11.82	S, MX
1/2	1800	S56C	102930.00	√	420	C4C17FK6	24	115/208-230	None	3.1	1.15	10.44	S, MX
	1800	S56C	LM24600	√	440	SRF4S0.33TLC1C6028	23	115/208-230	None	3.0	1.15	10.44	S, MX
	1800	S56C	103082.00	√	420	M4C17FK7	24	115/208-230	Man.	3.1	1.15	10.31	S, MX
	1800	S56C	102910.00	√	420	C4C17NK2	25	115/208-230	None	2.6	1.15	10.31	S, MX
	3600	S56C	102903.00	√	394	C4C34FK17	25	115/208-230	None	3.5	1.15	9.94	S, MX
	3600	56C	LM24725	√	416	SRF2S0.5TLC1C6028	23	115/208-230	None	4.2	1.15	11.82	S, MX
3/4	1800	S56C	102907.00	√	505	C4C17FK5	22	115/208-230	None	4.0	1.15	10.69	S, MX
	1800	S56C	LM24628	√	533	SRF4S0.5TLC6028	24	115/208-230	None	4.0	1.15	11.19	S, MX
	1800	S56C	103085.00	√	505	M4C17FK8	22	115/208-230	Man.	4.0	1.15	10.69	S, MX
	3600	56C	112135.00	√	449	C6C34FK36	26	115/208-230	None	5.0	1.15	11.31	S, US
1	3600	56C	LM24726	√	469	SRF2S0.75TLC1C6028	30	115/208-230	None	5.3	1.15	12.32	S, MX
	1800	56C	110905.00	√	610	C6C17FK4	26	115/208-230	None	5.4	1.15	11.31	S, US
	1800	56C	LM24615	√	640	SRF2S0.75TLC1C6028	30	115/208-230	None	5.5	1.15	12.32	S, MX
	1800	56C	116922.00	√	610	M6C17FK86	26	115/208-230	Man.	5.4	1.15	11.31	S, US
	3600	56C	110180.00	√	518	C6C34FK1	28	115/208-230	None	6.0	1.15	11.81	S, US
	3600	56C	LM24727	√	539	SRF2S1TLC1C6028	32	115/208-230	None	6.2	1.15	12.32	S, MX
1 1/2	3600	56C	115877.00	√	518	M6C34FK78	28	115/208-230	Man.	6.0	1.15	11.81	S, US
	1800	56C	110908.00	√	691	C6C17FK5	30	115/208-230	None	6.4	1.15	11.81	S, US
	1800	56C	LM24616	√	723	SRF4S1TLC6028	35	115/208-230	None	6.7	1.15	12.82	S, MX
	1800	56C	115879.00	√	691	M6C17FK80	32	115/208-230	Man.	6.4	1.15	11.81	S, US
	1800	143TC	121680.00	√	691	C143C17FK1	32	115/208-230	None	6.4	1.15	12.25	S, US
	3600	56C	110909.00	√	671	C6C34FK19	34	115/208-230	None	8.5	1.0	12.31	S, US
Inverter Duty Motors	3600	56HC	LM24539	√	701	SRF2S1.5TLC1B6028	35	115/208-230	None	7.1	1.15	12.82	S, MX
	3600	56C	115024.00	√	704	M6K34FK16	35	115/208-230	Man.	6.2	1.15	12.31	S, US
	1800	56HC	110910.00	√	821	C6K17FK2	39	115/208-230	None	8.6	1.0	12.81	S, US
	1800	56HC	LM24728	√	854	SRF2S1.5TLC1B6028	41	115/208-230	None	7.6	1.15	13.82	S, MX
	1800	56HC	116703.00	√	825	M6K17FK50	42	115/208-230	Man.	8.6	1.15	12.81	S, US
1800	145TC	121681.00	√	821	C145K17FK13	40	115/208-230	None	8.6	1.0	13.75	S, US	

▼ LM Numbers are Lincoln Models

♥ Note listing on inside back flap

C/A - Check Availability

Continued On Next Page

Specifications are subject to change without notice



View On-line Technical Information



Single Phase C Face Motors

Totally Enclosed - Capacitor Start - General Purpose

Single Phase - Totally Enclosed - C Face With Base

HP	SYN RPM 60 Hz	NEMA Frame	▼ Catalog Number	Stock	List Price	Model Number	App. Wgt. (lbs)	Voltage	Over-load Prot.	F. L. Amps @ 230 V	Service Factor	"C" Dim. (Inches)	♥ Notes
2	3600	56HC	113931.00	√	879	C6C34FK52	46	115/208-230	None	10.0	1.0	13.31	S, US
	3600	56HC	LM24729	√	920	SRF2S2TLC1B6028	40	115/208-230	None	9.0	1.15	13.32	S, MX, 53
	3600	56HC	114995.00	√	838	P6K34FK15	42	115/208-230	Man.	9.2	1.15	13.31	S, US, 53
	3600	56HC	115878.00	C/A	879	P6C34FK79	43	115/208-230	Man.	10.0	1.0	13.31	S, US
	3600	145TC	121008.00	√	879	C145C34FK2	43	115/208-230	None	10.0	1.0	13.75	S, US
	3600	145TC	LM24730	C/A	920	SSF2STLC1B6028	40	115/208-230	None	8.3	1.15	13.37	S, MX, 53
1800	145TC	120274.00	√	1107	C145K17FK2	49	115/230	None	9.2	1.0	14.25	S, US, 53	
	145TC	LM24731		1159	SSF4S2TLC1B6028	52	115/230	None	9.5	1.15	14.87	S, MX, 53	
	145TC	121465.00	√	1107	P145K17FK10	44	115/208-230	Man.	9.2	1.0	13.75	S, US, 53	
3	3600	145TC	121825.00	√	928	C145K34FK9	47	230	None	13.0	1.0	14.43	S, US, 53
	3600	145TC	LM29441	C/A	1023	SS145F2S3TLC1B6008TP1	48	208-230	None	11.8	1.15	14.87	S, MX, 53
	3600	56HC	115048.00	√	916	P6K34FK17	53	208-230	Man.	14.0	1.0	13.31	S, US, 53
	3600	145TC	121060.00	√	985	P145K34FK4	51	230	Man.	13.0	1.0	14.25	S, US, 53
	1800	184TC	131631.00	√	1564	P184C17FK9	84	115/208-230	Man.	16.8	1.0	16.47	S, MX
	1800	184TC	131857.00	√	1564	P14K17FK14	104	230	Man.	13.7	1.15	17.61	S, MX, 53
5	3600	184TC	131632.00	√	1572	P184K34FK2	103	230	Man.	19.8	1.15	16.97	S, MX, 53
	1800	184TC	131633.00	√	1638	P184K17FK11	86	230	Man.	23.0	1.0	16.97	S, MX, 53
7 1/2	3600	213TC	140694.00	√	1845	C213K34FK1	120	208-230	None	32.0	1.0	19.07	S, MX, 53
	1800	215TC	140807.00	√	1884	C215K17FK6	171	208-230	None	33.6	1.15	20.21	S, MX, 53
10	3600	215TC	140695.00	√	2202	C215K34FK1	138	208-230	None	41.5	1.0	20.57	S, MX, 53
	1800	215TC	140678.00	√	2132	C215K17FK4	152	230	None	40.0	1.15	20.71	S, MX, 53

▼ LM Numbers are Lincoln Models

♥ Note listing on inside back flap

C/A - Check Availability

Specifications are subject to change without notice

View On-line Technical Information



Single Phase
ODP Motors

Single Phase
TEFC Motors

Single Phase
C Face Motors

Three Phase
ODP Motors

Three Phase
TEFC Motors

Three Phase
C Face Motors

Inverter Duty
Motors

Severe Duty
Motors

Explosion Proof
Motors

Single Phase - C Face Motors

Pressure Washer Pump Motors

Application Information:

Motors specially suited for hot or cold pressure washer applications and other single phase installations requiring minimum starting and running amperages.



Mechanical Features:

- Double shielded ball bearings
- Dynamically balanced rotors

Electrical Features:

- Windings dipped in heavy duty varnish system
- Capacitor start / capacitor run designs to reduce amp draw
- Manual reset overload protection
- High service factor

Single Phase - TEFC - C-Face With Base

HP	SYN RPM 60 Hz	NEMA Frame	Catalog Number	Stock	List Price	Model Number	App. Wgt. (lbs)	Voltage	Over-load Prot.	F. L. Amps @ 230 V	Service Factor	"C" Dim. (Inches)	♥Notes
1/3	1800	56C	116485.00	C/A	616	M6C17FK81	29	115/208-230	Man.	3.2	1.15	10.81	S, US, 57
1/2	1800	56C	116486.00	√	706	M6C17FK80	23	115/208-230	Man.	4.4	1.15	10.81	S, US, 57
3/4	1800	56C	116487.00	√	822	M6C17FK79	30	115/208-230	Man.	5.4	1.15	11.31	S, US, 57
1	3600	56C	115877.00	√	518	M6C34FK78	28	115/208-230	Man.	6.0	1.15	11.81	S, US
	1800	56C	115879.00	√	691	M6C17FK80	32	115/208-230	Man.	6.4	1.15	11.81	S, US
1 1/2	3600	56C	115024.00	√	704	M6K34FK16	35	115/208-230	Man.	6.2	1.15	12.31	S, US, 53
	1800	56HC	116703.00	√	825	M6K17FK50	39	115/208-230	Man.	8.6	1.15	12.81	S, US, 53
2	3600	56HC	114995.00	√	838	P6K34FK15	42	115/208-230	Man.	9.2	1.15	13.31	S, US, 53
	1800	145TC	121465.00	√	1107	P145K17FK10	44	115/208-230	Man.	9.2	1.0	13.75	S, US, 53
3	3600	56HC	115048.00	√	916	P6K34FK17	53	115/208-230	Man.	14.0	1.0	13.81	S, US, 53
	1800	184TC	131857.00	√	1564	P14K17FK14	104	230	Man.	13.7	1.15	17.61	S, MX, 53
5	3600	184TC	131632.00	√	1572	P184K34FK2	103	230	Man.	19.8	1.15	16.97	S, MX, 53
	1800	184TC	131633.00	√	1638	P184K17FK11	989	230	Man.	23.0	1.0	16.97	S, MX, 53

C/A - Check Availability

♥ Note listing on inside back flap

Specifications are subject to change without notice

Single Phase - Drip-Proof - C-Face With Base

HP	SYN RPM 60 Hz	NEMA Frame	Catalog Number	Stock	List Price	Model Number	App. Wgt. (lbs)	Voltage	Over-load Prot.	F. L. Amps @ 230 V	Service Factor	"C" Dim. (Inches)	♥Notes
1 1/2	3600	56C	114214.00	√	615	M6K34DK8	35	115/208-230	Man.	6.2	1.15	11.34	S, US, 53
	1800	56HC	113700.00	√	812	M6K17DK15	38	115/208-230	Man.	7.2	1.15	11.84	S, US, 6, 53
2	3600	56C	114215.00	√	780	P6K34DK9	45	115/208-230	Man.	8.6	1.15	11.34	S, US, 53
	1800	56HC	113281.00	√	841	P6K17DK12	45	115/208-230	Man.	8.6	1.15	12.88	S, US, 6, 53
3	3600	56HC	116707.00	√	852	M6C34DK5	41	230	Man.	15.0	1.0	12.38	S, US, 6, 53
	1800	184TC	131853.00	√	1022	C184K17DK18	87	208-230	Man.	15.4	1.15	15.96	S, MX, 53
5	3600	56HC	116709.00	√	872	P6K34DK18	46	230	Man.	20.8	1.0	13.54	S, US, 6, 53
	1800	184TC	131630.00	√	1257	M184K17DK13	77	208-230	Man.	21.0	1.15	14.69	S, MX, 53

Specifications are subject to change without notice

♥ Note listing on inside back flap



View On-line Technical Information

Single Phase C Face Motors Unit Handling Motors



Applications Include:

Unit and baggage handling, conveyors, packaging equipment machine tools, elevators and door openers where a conduit box at 12:00 position is needed due to mounting size restrictions

Features include:

- Low profile conduit box at the 12:00 position
- Base includes both 56H and 143-5T mounting holes and slots

Single Phase - TEFC - C Face With Base

HP	RPM	Frame	Catalog Number	Stock	List Price	Model Number	App. Wgt. (lbs)	Voltage	F. L. Amps @ 230 V	Service Factor	"C" Dim. (Inches)	♥ Notes
1/2	1800	56C	117701.00	√	505	C6C17FK92	22	115/208-230	4.4	1.15	12.48	S, US
3/4	1800	56C	117702.00	√	550	C6C17FK94	26	115/208-230	5.4	1.15	12.98	S, US
1	1800	56C	117703.00	√	596	C6C17FK93	30	115/208-230	6.4	1.15	12.98	S, US

Specifications are subject to change without notice

♥ Note listing on inside back flap

Single Phase - TEFC - Rigid C Face Less Base

HP	RPM	Frame	Catalog Number	Stock	List Price	Model Number	App. Wgt. (lbs)	Voltage	F. L. Amps @ 230 V	Service Factor	"C" Dim. (Inches)	♥ Notes
1/2	1800	56C	117704.00	√	485	C6C17FC175	21	115/208-230	4.4	1.15	10.98	S, US
3/4	1800	56C	117705.00	√	530	C6C17FC176	25	115/208-230	5.4	1.15	11.48	S, US
1	1800	56C	117706.00	√	570	C6C17FC177	29	115/208-230	6.4	1.15	11.48	S, US

Specifications are subject to change without notice

♥ Note listing on inside back flap

View On-line Technical Information



Single Phase
ODP Motors

Single Phase
TEFC Motors

Single Phase
C Face Motors

Three Phase
ODP Motors

Three Phase
TEFC Motors

Three Phase
C Face Motors

Inverter Duty
Motors

Severe Duty
Motors

Explosion Proof
Motors

Single Phase
ODP MotorsSingle Phase
TEFC MotorsSingle Phase
C Face MotorsThree Phase
ODP MotorsThree Phase
TEFC MotorsThree Phase
C Face MotorsInverter Duty
MotorsSevere Duty
MotorsExplosion Proof
Motors

Three Phase - Cast Iron - Three Phase Motors

150 & 170 Series - Rigid Base - General Purpose

**NEMA
Premium**

For reliable performance in heavy-duty industrial applications, nothing beats the LEESON Heavyweights. With their cast iron construction and 1.15 Service Factor, they are ideal for "tough to handle" applications.

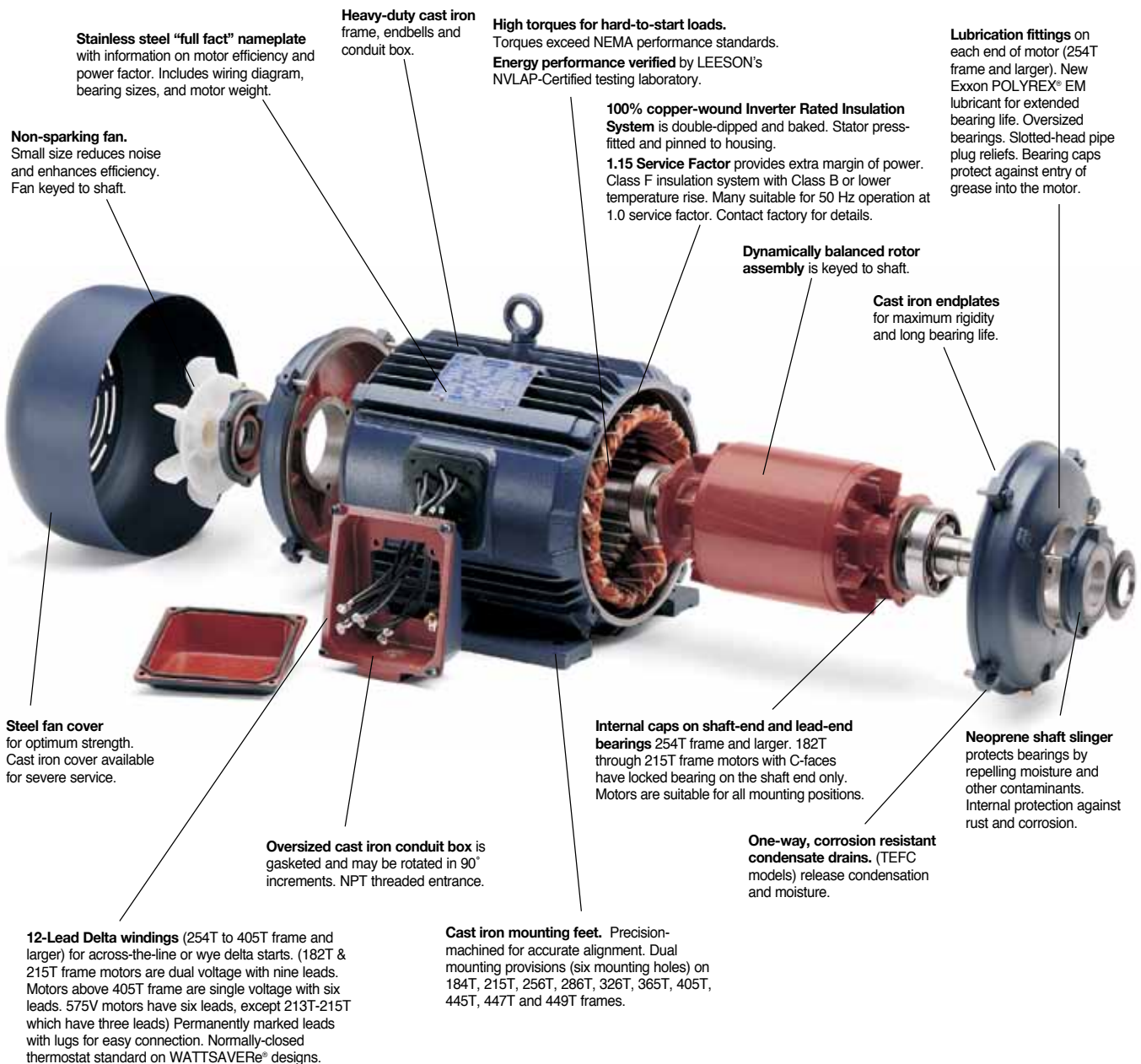
But that's only part of the story. LEESON 150 and 170-series cast iron motors are extremely versatile and can be field converted in minutes to a number of different configurations, including:

- Severe Duty TEFC (using cast iron fan guard kit)
- F2 mounting 180 frame or larger (by re-assembly)
- C face with rigid base (from stock or using C face kit)
- D flange with base (using D flange kit)

UL recognized and CSA certified.

LEESON's Inverter Rated Insulation System (IRIS™)

provides superior motor protection against voltage spikes induced by variable frequency drives. This *total insulation system* protects better than spike-resistant magnet wire alone. Specially formed phase insulation, cushioned and sleeved connections (from the leads all the way into the turns), and deep-penetrating, non-hygroscopic, high temperature varnish are just a few features contributing to the extra protection. All this plus second generation, spike-resistant magnet wire. The IRIS™ *total insulation system* is standard at no extra cost in all LEESON stock NEMA three-phase motors, 1 HP and larger.


LEESON

Three Phase - WattSaver® Premium Efficiency Motors

General Purpose

WATTSAVER^e

NEMA
Premium

The WATTSAYER^e line of premium efficiency motors is LEESON's unique IRIS™ voltage-spike-resistant insulation system is standard at no extra cost. WATTSAYER^e motors carry a three-year warranty in general purpose and inverter fed applications. These motors meet or exceed most utility rebate programs and the EPACT federally mandated efficiency levels. The efficiency ratings have been verified to IEEE

112B test standards by LEESON's NVLAP-Certified lab.

Cast iron 170 series motors can be field modified for forced ventilation service to extend the inverter-fed operating range and an encoder package is stocked for closed-loop vector inverter systems. These motors can be converted to IEEE841 compliant using the Custom PDQ Program. Contact LEESON.

Rugged cast iron construction on three phase, 1-350 HP models. These motors share features with normal efficiency 150 Series motors detailed on page 18. Add an optional cast iron fan guard for severe duty applications.

Efficiencies meet or exceed NEMA Premium on all WATTSAYER^e motors.

Both 3/4 and full load efficiencies are listed on the stainless steel nameplate for your convenience in calculating realistic energy savings. Unique serial number identifies each motor and is stamped clearly on the metal nameplate.

Independently verified efficiencies by the Canadian Standards Association, an internationally recognized testing laboratory. CSA Report Number EEV78720-1.

Premium efficiency motors finished with primer and chemical resistant green acrylic matte enamel. IP44 enclosure protection.

Modification to meet IEEE 841 available through Custom PDQ. (See page 114). Includes addition of watertight Inpro shaft seals, two-part epoxy finish, and plated hardware.

One-way, corrosion resistant condensate drains. (TEFC models) release condensation and moisture.

Second-generation, high temperature, spike-resistant magnet wire for extended motor life. Stator impregnated with extra-heavy varnish system. 1.25 Service Factor. All WATTSAYER^e motors have Class F insulation with a Class B rise. Motors rated at 40 degrees C ambient.

Meets or exceeds the 1997 mandated efficiency standards of the Energy Policy Act of 1992. Also meets or exceeds efficiency requirements of most electric utility rebate programs.

WATTSAYER^e motors comply with EISA 2007

Three phase models suitable for inverter duty, as well as both 50 Hz and 60 Hz operation.



UL and CSA Recognition

LEESON's Inverter Rated Insulation System (IRIS™) provides superior protection against voltage spikes induced by variable frequency drives. This protects better than spike-resistant magnet wire alone. Specially formed phase insulation, cushioned and sleeved connections (from the leads all

the way into the turns), and deep-penetrating, non-hygroscopic, high temperature varnish are just a few features contributing to extra protection. All this plus second generation spike-resistant magnet wire. The IRIS™ is standard at no extra cost in all LEESON stock NEMA three-phase motors, 1 HP and larger.



Single Phase
ODP Motors

Single Phase
TEFC Motors

Single Phase
C Face Motors

Three Phase
ODP Motors

Three Phase
TEFC Motors

Three Phase
C Face Motors

Inverter Duty
Motors

Severe Duty
Motors

Explosion Proof
Motors

Three Phase ODP Motors

General Purpose – Drip-Proof –

208-230/460V & 460V Rigid Mount – ¼ HP – 500 HP



- Standard, EPACT and Premium efficient ratings
- Inverter-rated
- Nameplated for 50 Hz operation
- 1-year warranty on Standard efficient motors
- 2-year warranty on EPACT efficient motors
- 3-year warranty on Premium efficient motors
- Class B insulation systems, Class F 140 frame and higher
- Shielded ball bearings for direct coupled applications
Contact your local sales office for belted load applications
- Rolled steel and cast iron designs
- UL recognized and CSA certified



Applications:

For use where water and dust exposure is minimal. Ideally suited for use on pumps, compressors, blowers, fans and other standard industrial applications.





Three Phase ODP Motors

General Purpose - Standard, EPACT and Premium Efficient Motors

Three Phase - Drip-Proof - Rigid Base

HP	SYN RPM 60 Hz	NEMA Frame	▼ Catalog Number	Stock	List Price	Model Number	App. Wgt. (lbs)	Voltage	F. L. Amps @ 230 V	% F.L. Eff.	Service Factor	"C" Dim. (Inches)	Inverter speed range	♥ Notes
1/4	1800	S56	100027.00	✓	303	C4T17DH1	16	208-230/460	1.4	58.0	1.0	9.2	2 : 1	S, MX
	1800	48	LM24866	C/A	315	SPD4S0.25T61	19	230/460	1.3	62.0	1.35	9.3	2 : 1	S, US
1/3	3600	48	101447.00	✓	308	C4T34DB3	14	208-230/460	1.4	68.0	1.35	9.0	2 : 1	S, US
	3600	56	LM24867	C/A	321	SRD2S0.33T61	19	230/460	1.4	66.0	1.35	10.0	2 : 1	S, MX
1/3	1800	48	100446.00	✓	326	C4T17DB2	17	208-230/460	1.6	64.3	1.35	9.1	2 : 1	S, MX
	1800	S56	100028.00	✓	320	C4T17DH2	18	208-230/460	1.6	64.3	1.35	9.5	2 : 1	S, MX
	1800	S56	LM24152	✓	339	SRD4S0.33T61	15	230/460	1.6	67.0	1.35	11.0	2 : 1	S, MX
	1800	S56	103017.00	✓	428	C4T17DH39	23	208-230/460	1.3	77.0	1.25	10.2	2 : 1	S, MX
	1200	56	110425.00	✓	518	C6T11DB3	23	208-230/460	1.6	65.0	1.15	9.9	2 : 1	S, US
	1200	56	LM24868	C/A	539	SRD6S0.33T61	22	230/460	1.6	62.0	1.35	10.0	2 : 1	S, MX
	1/2	3600	S56	101448.00	✓	326	C4T34DH7	17	208-230/460	1.8	69.0	1.25	9.4	2 : 1
1/2	3600	56	LM24869	C/A	339	SRD2S0.5T61	22	230/460	2.2	66.0	1.25	10.4	2 : 1	S, US
	1800	S56	100029.00	✓	365	C4T17DH3	20	208-230/460	2.0	68.0	1.25	10.0	2 : 1	S, MX
	1800	56	LM24098	✓	391	SRD4S0.5T61	17	230/460	2.2	70.0	1.25	10.5	2 : 1	S, MX
	1800	S56	103018.00	✓	459	C4T17DH40	26	208-230/460	1.8	77.0	1.25	10.7	2 : 1	S, MX
	1200	56	110027.00	✓	570	C6T11DB1	22	208-230/460	2.8	66.0	1.15	10.4	2 : 1	S, US
	1200	56	LM24146	C/A	594	SRD6S0.5T61	22	230/460	3.0	68.0	1.25	10.4	2 : 1	S, MX
	3/4	3600	S56	101449.00	✓	387	C4T34DH8	20	208-230/460	2.4	79.0	1.25	9.9	2 : 1
3600		56	LM24870	✓	400	SRD2S0.75T61	21	230/460	3.2	74.0	1.25	10.4	2 : 1	S, US
1800		S56	100030.00	✓	408	C4T17DH4	24	208-230/460	2.8	75.0	1.25	10.5	2 : 1	S, MX
1800		S56	LM24099	✓	433	SRD4S0.75T61	20	230/460	2.8	75.5	1.25	11.0	2 : 1	S, MX
1800		56	116738.00	✓	465	C6T17DB95	30	208-230/460	2.4	81.5	1.25	10.9	2 : 1	S, US
1200		56	110028.00	✓	616	C6T11DB2	17	208-230/460	3.4	75.5	1.15	10.9	2 : 1	S, US
1200		56	LM24162	C/A	644	SRD6S0.75T61	26	230/460	3.2	76.5	1.15	10.9	2 : 1	S, US
1	3600	56	110426.00	✓	443	C6T34DB1	22	208-230/460	3.2	77.0	1.25	9.8	2 : 1	S, US
	3600	56	LM24155	✓	464	SRD2S1T61	24	230/460	3.7	74.0	1.25	10.4	2 : 1	S, US
	3600	56	116128.00	C/A	560	C6T34DB30	24	208-230/460	2.8	80.0	1.25	10.2	2 : 1	S, US
	1800	56	110029.00	✓	460	C6T17DB1	22	208-230/460	4.2	78.5	1.15	10.4	2 : 1	S, US
	1800	S56	LM24111	✓	450	SRD4S1T61	22	230/460	3.4	76.5	1.15	10.5	2 : 1	S, MX
	1800	56HZ	115827.00	✓	440	C6T17DB77	24	208-230/460	4.2	78.5	1.15	11.1	2 : 1	S, US, 5
	1800	56	116752.00	✓	639	C6T17DB92	36	208-230/460	3.2	85.5	1.25	11.7	2 : 1	S, US
	1800	143T	121003.00	✓	639	C143T17DB10	36	208-230/460	3.2	85.5	1.25	12.1	2 : 1	S, US
	1800	143T	LM24871	✓	527	SSD4B1T61	35	230/460	3.2	85.5	1.15	12.0	2 : 1	S, MX
	1200	145T	121517.00	✓	744	C145T11DB7	41	208-230/460	3.8	82.5	1.25	12.6	2 : 1	S, US
	1200	56H	LM24872	C/A	613	SRD6S1T61	29	230/460	4.2	75.5	1.15	11.4	2 : 1	S, US, 6
1	1200	145T	LM32726	C/A	745	SSDB1T61	48	230/460	4.2	82.5	1.25	12.0	2 : 1	S, US
	900	182T	LM33126	C/A	929	SSD8PIT61	55	230/460	--	74.0	1.15		2 : 1	S, MX

Green items are Premium Efficient

♥ Note listing on inside back flap

▼ LM Numbers are Lincoln Models

Continued On Next Page

C/A - Check Availability

Specifications are subject to change without notice

View On-line Technical Information



Single Phase
ODP Motors

Single Phase
TEFC Motors

Single Phase
C Face Motors

Three Phase
ODP Motors

Three Phase
TEFC Motors

Three Phase
C Face Motors

Inverter Duty
Motors

Severe Duty
Motors

Explosion Proof
Motors

Three Phase ODP Motors

General Purpose - Standard,
EPACT and Premium Efficient Motors

Three Phase - Drip-Proof - Rigid Base

HP	SYN RPM 60 Hz	NEMA Frame	▼ Catalog Number	Stock	List Price	Model Number	App. Wgt. (lbs)	Voltage	F. L. Amps @ 230 V	% F.L. Eff.	Service Factor	"C" Dim. (Inches)	Inverter speed range	♥Notes
1 1/2	3600	56	110429.00	✓	496	C6T34DB2	29	208-230/460	4.2	81.5	1.15	10.8	2 : 1	S, US
	3600	56	LM16753.00	✓	624	C6T34DB31	36	208-230/460	4.0	84.0	1.25	11.8	2 : 1	S, US
	3600	143T	LM121514.00	✓	624	C143T34DB4	36	208-230/460	4.0	84.0	1.25	12.3	10 : 1	S, US
	3600	182T	LM32727	C/A	626	SSD2B1.5T61	28	230/460	—	84.0	1.25	—	10 : 1	S, MX
	1800	56	110430.00	✓	531	C6T17DB7	27	208-230/460	5.6	78.5	1.15	10.9	2 : 1	S, US
	1800	56H	LM24117	✓	478	SRD4S1.5T61	28	230/460	4.8	80.0	1.15	10.9	2 : 1	S, MX, 6
	1800	56	111309.00	C/A	587	A6T17DB26E	33	208-230/460	5.6	78.5	1.15	10.9	2 : 1	S, US
	1800	56HZ	115825.00	✓	470	C6T17DB79	34	208-230/460	5.6	78.5	1.15	11.1	2 : 1	S, US, 5
	1800	56	LM16754.00	✓	667	C6T17DB91	35	208-230/460	4.8	86.5	1.25	12.2	10 : 1	S, US
	1800	145T	LM121004.00	✓	667	C145T17DB32	35	208-230/460	4.8	86.5	1.25	12.6	10 : 1	S, US
	1800	145T	LM24875	✓	551	SSD4B1.5T61	45	230/460	5.0	85.5	1.15	13.0	10 : 1	S, MX
	1200	182T	LM131971.00	✓	876	C182T11DB9	82	208-230/460	5.6	86.5	1.15	14.7	10 : 1	S, MX
900	184T	LM32728	C/A	1128	SSD8P1.5T61	88	230/460	—	75.5	1.15	—	2 : 1	S, MX	
2	3600	56	113292.00	✓	584	C6T34DB16	33	208-230/460	5.6	82.5	1.15	11.3	2 : 1	S, US
	3600	56	LM16755.00	✓	735	C6T34DB32	—	208-230/460	4.8	82.5	1.25	12.2	10 : 1	S, US
	3600	56H	LM24877	✓	608	SRD2S2T61	25	230/460	6.2	80.0	1.15	10.4	2 : 1	S, US, 6
	3600	145T	LM121515.00	✓	735	C145T34DB15	43	208-230/460	4.8	85.5	1.25	12.6	10 : 1	S, US
	3600	145T	LM33137	C/A	739	SSD2BT61	28	230/460	6.4	85.5	1.25	13.0	10 : 1	S, US
	1800	56H	113025.00	✓	555	C6T17DB40	32	208-230/460	6.2	78.5	1.15	11.4	2 : 1	S, MX, 6
	1800	56H	LM24106	✓	515	SRD4S2T61	36	230/460	6.8	81.5	1.15	11.9	2 : 1	S, MX, 47
	1800	56HZ	115826.00	✓	505	C6T17DB78	33	208-230/460	6.2	78.5	1.15	11.6	2 : 1	S, US, 5
	1800	56H	111310.00	✓	677	A6T17DB27	36	208-230/460	6.2	78.7	1.15	11.4	2 : 1	S, US, 6, 33
	1800	56H	LM16756.00	✓	755	C6T17DB96	37	208-230/460	5.8	86.5	1.25	13.2	10 : 1	S, US, 6
	1800	145T	LM121005.00	✓	755	C145T17DB33	37	208-230/460	5.8	86.5	1.25	13.6	10 : 1	S, US
	1800	145T	LM24169	✓	610	SSD4BT61	48	230/460	6.0	86.5	1.25	13.0	10 : 1	S, MX
1200	184T	LM131972.00	✓	890	C184T11DB9	88	208-230/460	7.2	87.5	1.15	15.2	10 : 1	S, MX	
900	213T	LM32730	C/A	1482	SSD8P2T61	115	230/460	9.0	85.5	1.15	17.3	2 : 1	S, MX	
3	3600	56H	113293.00	✓	602	C6T34DB17	38	208-230/460	7.6	84.0	1.15	11.8	2 : 1	S, US, 6
	3600	56H	LM24878	C/A	580	SRD2S3T161	33	230/460	8.2	84.0	1.15	11.4	10 : 1	S, US, 6
	3600	145T	LM121516.00	✓	744	C145T34DB16	45	208-230/460	7.2	86.5	1.25	12.6	10 : 1	S, US
	3600	145T	LM32731	✓	677	SSD2B3T61	33	230/460	7.2	85.5	1.25	12.7	10 : 1	S, US
	1800	56HZ	116595.00	✓	602	C6T17DB90	44	208-230/460	8.6	82.5	1.15	13.1	2 : 1	S, US, 5
	1800	182T	LM131519.00	✓	773	C182T17DB37	75	208-230/460	7.9	89.5	1.25	13.7	10 : 1	S, MX
	1800	182T	LM24222	C/A	796	SSD4B3T61	56	230/460	8.0	89.5	1.25	13.2	10 : 1	S, MX
	1200	213T	LM171574.60	✓	1155	C213T11DB2	154	208-230/460	10.0	88.5	1.25	16.4	10 : 1	C, CN
1200	213T	LM32733	C/A	1222	SSD6B3T61	104	230/460	9.0	88.5	1.25	17.3	10 : 1	S, US	
900	254T	LM32688	C/A	1763	SSD8P3T61	134	230/460	10.0	86.5	1.15	18.5	2 : 1	S, US	

Green items are Premium Efficient

▼ LM Numbers are Lincoln Models

C/A - Check Availability

Specifications are subject to change without notice

♥ Note listing on inside back flap

Continued On Next Page



View On-line Technical Information



Three Phase ODP Motors

General Purpose - Standard, EPACT and Premium Efficient Motors

Three Phase - Drip-Proof - Rigid Base

HP	SYN RPM 60 Hz	NEMA Frame	▼ Catalog Number	Stock	List Price	Model Number	App. Wgt. (lbs)	Voltage	F. L. Amps @ 230 V	% F.L. Eff.	Service Factor	"C" Dim. (Inches)	Inverter speed range	♥ Notes
5	3600	184T	131986.00	✓	816	C184T34DB11	86	208-230/460	12.0	86.5	1.15	15.2	10 : 1	S, MX
		182T	LM32734	C/A	725	SSD2B5T61	88	230/460	12.0	86.5	1.25	15.2	10 : 1	S, MX
	1800	184T	131520.00	✓	871	C184T17DB44	86	208-230/460	12.8	89.5	1.25	15.2	10 : 1	S, MX
		184T	LM24202	✓	892	SSD4BT61	91	230/460	12.6	89.5	1.25	15.2	10 : 1	S, MX
	1200	215T	171575.60	✓	1461	C215T11DB6	188	208-230/460	15.0	90.2	1.25	16.4	10 : 1	C, CN
		215T	LM32735	C/A	1329	SSD6B5T61	135	230/460	17.0	87.5	1.25	18.5	10 : 1	S, MX
900	254T	LM32736	C/A	2437	SSD8P5T61	175	230/460	—	87.5	1.15	—	2 : 1	S, US	
7 1/2	3600	184T	131988.00	✓	1180	C184T34DB12	106	208-230/460	17.6	88.5	1.15	16.2	10 : 1	S, MX
		184T	LM32737	C/A	1028	SSD2B7.5T61	88	230/460	17.6	88.5	1.15	16.2	10 : 1	S, MX
	1800	213T	140470.00	✓	1093	C213T17DB2	133	208-230/460	20.6	91.0	1.25	16.3	10 : 1	S, MX
		213T	LM24194	✓	1256	SSD4B7.5T61	121	230/460	19.2	91.0	1.25	18.5	10 : 1	S, US
	1800	213T	170142.60	✓	1159	C213T17DB44	160	208-230/460	19.8	91.0	1.25	16.4	10 : 1	C, CN
		254T	LM32738	C/A	1641	SSD6B7.5T61	150	230/460	22.4	90.2	1.25	21.0	10 : 1	S, US
	1200	256T	LM33314	C/A	3102	CCD8P7.5T61	281	230/460	22.0	88.5	1.15	24.6	2 : 1	S, US
		254T	170145.60	✓	1830	C254T11DB43	291	208-230/460	22.4	91.7	1.25	20.94	10 : 1	C, CN
10	3600	213T	140753.00	✓	1243	C213T34DB4	160	208-230/460	23.4	89.5	1.15	17.3	10 : 1	S, MX
		213T	LM32740	C/A	1314	SSD2B10T61	138	230/460	24.0	89.5	1.25	18.0	10 : 1	S, US
	3600	213T	170143.60	✓	1323	C213T34DB45	150	208-230/460	23.6	91.0	1.15	16.4	10 : 1	C, CN
		215T	140472.00	✓	1291	C215T17DB15	144	208-230/460	26.8	91.7	1.25	17.3	10 : 1	S, MX
	1800	215T	LM24193	✓	1403	SSDB10T61	155	230/460	25.0	91.7	1.25	18.5	10 : 1	S, US
		215T	170144.60	✓	1367	C215T17DB49	200	208-230/460	25.6	91.7	1.25	17.9	10 : 1	C, CN
	1200	256T	170146.60	✓	2280	C256T11DB45	305	208-230/460	29.6	91.7	1.25	22.6	10 : 1	C, CN
		256T	LM33555		2450	CCD6B10T61	310	230/460	29.6	91.7	1.25	24.2	10 : 1	S, US
15	3600	215T	140754.00	✓	1652	C215T34DB4	170	208-230/460	35.0	91.0	1.15	18.6	10 : 1	S, MX
		215T	LM32743	✓	1756	SSD2B15T61	135	230/460	35.0	90.2	1.25	18.5	10 : 1	S, US
	3600	215T	170064.60	✓	1777	C215T34DB3	175	208-230/460	34.6	91.0	1.25	17.9	10 : 1	C, CN
		254T	170065.60	✓	1821	C254T17DB9	279	208-230/460	37.0	93.0	1.25	20.9	10 : 1	C, CN
	1800	254T	LM24190	✓	2526	CCD4B15T61	300	230/460	37.0	93.0	1.25	22.9	10 : 1	C, US
		1200	284T	LM31244	C/A	3159	CCD6B15T61Y	420	230/460	41.0	91.7	1.25	24.9	10 : 1
1200	284T	170067.60	✓	3002	C284T11DB7	414	208-230/460	39.4	92.4	1.15	23.5	10 : 1	S, CN	
20	3600	254T	170032.60	✓	2232	C254T34DB5	275	208-230/460	46.0	93.0	1.25	20.9	10 : 1	C, CN
		254T	LM33315	C/A	2211	CCD2B20T61	296	230/460	46.0	91.7	1.25	22.9	10 : 1	S, US
	1800	256T	170006.60	✓	2224	C256T17DB5	324	208-230/460	51.0	93.0	1.25	22.6	10 : 1	C, CN
		256T	LM24199	✓	2415	CCD4B20T61	350	230/460	48.0	93.0	1.25	24.4	10 : 1	C, US
	1800	286T	LM32746	✓	2294	SSD4B20T61	233	230/460	48.0	93.0	1.25	25.2	10 : 1	S, US
		1200	286T	LM30273	✓	3795	CCD6B20T61Y	462	230/460	52.0	92.4	1.25	26.8	10 : 1
1200	286T	170000.60	✓	3657	C286T11DB1	467	208-230/460	55.0	92.4	1.25	25.00	10 : 1	C, CN	

Green items are Premium Efficient

▼ LM Numbers are Lincoln Models

C/A - Check Availability

Specifications are subject to change without notice

♥ Note listing on inside back flap

Continued On Next Page

View On-line Technical Information



Single Phase ODP Motors

Single Phase TEFC Motors

Single Phase C Face Motors

Three Phase ODP Motors

Three Phase TEFC Motors

Three Phase C Face Motors

Inverter Duty Motors

Severe Duty Motors

Explosion Proof Motors

Single Phase
ODP MotorsSingle Phase
TEFC MotorsSingle Phase
C Face MotorsThree Phase
ODP MotorsThree Phase
TEFC MotorsThree Phase
C Face MotorsInverter Duty
MotorsSevere Duty
MotorsExplosion Proof
Motors

Three Phase ODP Motors

General Purpose - Standard,
EPACT and Premium Efficient Motors

Three Phase - Drip-Proof - Rigid Base

HP	SYN RPM 60 Hz	NEMA Frame	▼ Catalog Number	Stock	List Price	Model Number	App. Wgt. (lbs)	Voltage	F. L. Amps @ 230 V	% F.L. Eff.	Service Factor	"C" Dim. (Inches)	Inverter speed range	♥Notes
25	3600	256T	170034.60	✓	2770	C256T34DB5	327	208-230/460	52.4	93.0	1.25	22.6	10 : 1	C, CN
	3600	256T	LM33309	C/A	2693	CCD2B25T61	310	230/460	58.0	92.4	1.25	24.4	10 : 1	S, US
	1800	284T	170009.60	✓	2770	C284T17DB7	404	208-230/460	59.6	93.6	1.25	23.5	10 : 1	C, CN
	1800	284T	LM29576	✓	3083	CCD4B25T61Y	350	230/460	64.0	93.6	1.25	24.9	10 : 1	C, US
	1800	284TS	LM32748	C/A	3083	CCD4B25TS61Y	348	230/460	64.0	93.6	1.25	23.6	10 : 1	C, US
	1200	324T	LM13809	C/A	5031	SD6B25T61Y	469	230/460	64.0	93.0	1.25	25.8	10 : 1	S, US
30	1200	324T	170002.60	✓	4355	C324T11DB5	670	208-230/460	67.0	93.0	1.25	26.02	10 : 1	C, CN
	3600	284TS	170036.60	✓	3216	C284T34DB4	396	208-230/460	67.0	94.1	1.25	22.2	10 : 1	C, CN
	3600	284TS	LM13966	C/A	5973	SD2B30TS61Y	348	230/460	68.0	93.0	1.25	21.8	10 : 1	S, US
	3600	284T	LM32687	C/A	5973	SD2B30T61Y	348	230/460	67.0	91.7	1.25	23.0	10 : 1	S, US
	1800	286T	170013.60	✓	3002	C286T17DB8	471	208-230/460	71.0	94.1	1.25	25.0	10 : 1	C, CN
	1800	286T	LM29577	✓	3573	CCD4B30T61Y	400	230/460	74.0	94.1	1.25	26.8	10 : 1	C, US
40	1800	286TS	LM32749	C/A	3573	CCD4B39TS61Y	400	230/460	73.0	94.1	1.25	25.4	10 : 1	C, US
	1200	326T	170004.60	✓	4542	C326T11DB1	760	208-230/460	78.0	93.6	1.15	27.5	10 : 1	C, CN
	1200	326T	LM13810	C/A	6990	SD6B30T61Y	522	230/460	78.0	93.6	1.25	27.5	10 : 1	S, US
	3600	286TS	170038.60	✓	4233	C286T34DB3	441	208-230/460	91.2	93.6	1.15	23.6	10 : 1	C, CN
	3600	286TS	LM13969	C/A	6328	SD2B40TS61Y	389	230/460	90.0	93.6	1.25	23.3	10 : 1	S, US
	3600	286T	LM32750	✓	6328	SD2B40T61Y	389	230/460	90.0	92.4	1.25	24.5	10 : 1	S, US
50	1800	324T	170017.60	✓	3956	C324T17DB8	560	208-230/460	96.0	94.1	1.25	26.0	10 : 1	C, CN
	1800	324T	LM13811	✓	5925	SD4B40T61Y	469	230/460	104.0	94.1	1.25	25.8	10 : 1	S, US
	1800	324TS	LM32751	C/A	5925	SD4B40TS61Y	469	230/460	103.0	94.1	1.25	24.3	10 : 1	S, US
	1200	364T	170147.60	✓	6477	C364T11DB1	892	208-230/460	103.0	94.1	1.15	28.0	10 : 1	C, CN
	1200	364T	LM13924	C/A	7998	SDB40T61Y	712	230/460	112.0	94.1	1.25	28.4	10 : 1	S, US
	3600	324TS	170040.60	✓	5163	C324T34DB3	548	208-230/460	112.0	94.1	1.25	24.5	10 : 1	C, CN
60	3600	324TS	LM13812	C/A	6392	SD2B50TS61Y	469	230/460	122.0	94.1	1.25	24.3	10 : 1	S, US
	3600	324T	LM32752	C/A	6392	SD2B50T61Y	469	230/460	122.0	93.0	1.25	25.8	10 : 1	S, US
	1800	326T	170021.60	✓	4779	C326T17DB5	614	208-230/460	118.0	94.5	1.25	27.5	10 : 1	C, CN
	1800	326T	LM13813	✓	6966	SD4B50T61Y	522	230/460	131.0	95.0	1.25	27.3	10 : 1	S, US
	1800	326TS	LM32674	✓	6966	SD4B50T61Y	522	230/460	131.0	94.5	1.25	25.8	10 : 1	S, US
	1200	365T	170148.60	✓	7409	C365T11DB1	918	208-230/460	128.0	94.5	1.15	33.6	10 : 1	C, CN
Inverter Duty Motors	1200	365T	LM13927	C/A	9029	SD6B50T61Y	763	230/460	138.0	94.5	1.25	29.4	10 : 1	S, US
	3600	326TS	170042.60	✓	6175	C326T34DB5	590	208-230/460	136.0	94.1	1.25	26.0	10 : 1	C, CN
	3600	326TS	LM13814	✓	6481	SD2B60TS61Y	522	230/460	136.0	94.5	1.25	25.8	10 : 1	S, US
	3600	326T	LM32682	C/A	6486	SDB60T61Y	522	230/460	136.0	93.6	1.25	27.3	10 : 1	S, US
	1800	364T	170025.60	✓	5262	C364T17DB7	716	208-230/460	139.0	94.1	1.25	31.5	10 : 1	C, CN
	1800	364T	LM14813	✓	9518	SD4B60T61Y	712	230/460	140.0	95.0	1.25	28.4	10 : 1	S, US
Severe Duty Motors	1800	364TS	LM32753	✓	9518	SD4B60TS61Y	712	230/460	140.0	95.0	1.25	26.3	10 : 1	S, US
	1200	404T	170149.60	✓	8201	C404T11DB5	1031	208-230/460	159.0	94.5	1.25	32.8	2 : 1	C, CN
1200	404T	LM13944	C/A	10359	SD6B60T61Y	882	230/460	159.0	94.5	1.25	32.8	2 : 1	S, US	

Green items are Premium Efficient

♥ Note listing on inside back flap

▼ LM Numbers are Lincoln Models

Continued On Next Page

C/A - Check Availability

Specifications are subject to change without notice



View On-line Technical Information



Three Phase ODP Motors

General Purpose - Standard, EPACT and Premium Efficient Motors

Three Phase - Drip-Proof - Rigid Base

HP	SYN RPM 60 Hz	NEMA Frame	▼ Catalog Number	Stock	List Price	Model Number	App. Wgt. (lbs)	Voltage	F. L. Amps @ 230 V	% F.L. Eff.	Service Factor	"C" Dim. (Inches)	Inverter speed range	♥ Notes	
75	3600	364TS	170044.60	✓	8158	C364T34DB3	720	208-230/460	170.0	94.1	1.15	26.9	10 : 1	C, CN	
	3600	364TS	LM14812	✓	10466	SD2B75TS61Y	712	230/460	164.0	94.5	1.25	26.9	10 : 1	S, US	
	3600	364T	LM32754	C/A	10466	SD2B75T61Y	712	230/460	164.0	93.6	1.25	28.4	10 : 1	S, US	
	1800	365T	170029.60	✓	6488	C365T17DB5	766	208-230/460	174.0	94.5	1.25	31.2	10 : 1	C, CN	
	1800	365T	LM14815	✓	9742	SD4B75T61Y	763	230/460	176.0	95.0	1.25	28.4	10 : 1	S, US	
	1800	365TS	LM32755	✓	9742	SD4B75TS61Y	763	230/460	180.0	95.0	1.25	27.3	10 : 1	S, US	
	1200	405T	170150.60	✓	9720	C405T11DB6	1095	208-230/460	199.0	94.5	1.25	34.3	2 : 1	C, CN	
	1200	405T	LM13947	✓	13282	SD6B75T61Y	958	230/460	210.0	94.5	1.25	33.3	2 : 1	S, US	
	100	3600	365TS	170151.60	✓	9223	C365T34DB4	775	208-230/460	226.0	94.5	1.15	29.1	10 : 1	C, CN
3600		365TS	LM14814	C/A	10271	SD2B100TS61Y	763	230/460	220.0	95.0	1.25	27.3	10 : 1	S, US	
3600		365T	LM32756	C/A	10271	SD2B100T61Y	763	230/460	220.0	93.6	1.25	29.4	10 : 1	S, US	
1800		404T	170152.60	✓	8878	C404T17DB5	1141	208-230/460	225.0	95.4	1.25	32.8	2 : 1	C, CN	
1800		405T	LM13943	✓	10004	SD4B100T61Y	882	230/460	244.0	95.4	1.25	31.8	2 : 1	S, US	
1800		405TS	LM32757	✓	10004	SD4B100TS61Y	882	230/460	260.0	95.4	1.25	29.2	2 : 1	S, US	
1200		444T	170255.60	✓	11480	C444T11DB4	1975	460	118.0*	95.4	1.25	40.0	2 : 1	C, CN	
1200		444T	LM13815	C/A	15227	SD6B100T64Y	1277	460	274.0*	95.4	1.15	37.4	2 : 1	S, US	
125		3600	404TS	170154.60	✓	10661	C404T34DB1	1015	208-230/460	284.0	94.5	1.25	29.8	2 : 1	C, CN
	3600	404TS	LM13942	✓	12474	SD2B125TS61Y	882	230/460	276.0	95.0	1.25	29.2	2 : 1	S, US	
	3600	404T	LM32758	C/A	12474	SD2B125T61Y	882	230/460	276.0	94.1	1.25	32.0	2 : 1	S, US	
	1800	405T	170155.60	✓	11235	C405T17DB6	1292	230/460	280.0	95.4	1.25	34.3	2 : 1	C, CN	
	1800	405T	LM13946	✓	10303	SD4B125T61Y	958	230/460	304.0	95.4	1.25	33.3	2 : 1	S, US	
	1800	405TS	LM32759	✓	10303	SD4B125TS61Y	958	230/460	306.0	95.4	1.25	30.7	2 : 1	S, US	
	1200	445T	170259.60	✓	14923	C445T11DB4	2022	460	148.0*	95.8	1.25	40.0	2 : 1	C, CN	
	1200	445T	LM13816	C/A	16509	SD6B125T64Y	1438	460	168.0*	95.4	1.15	39.4	2 : 1	S, US	
	150	3600	405TS	171449.60	✓	13153	C405T34DB2	1085	460	169.0*	94.5	1.15	31.3	2 : 1	C, CN
3600		405TS	LM13945	C/A	16674	SD2B150TS61Y	958	230/460	338.0	95.4	1.25	30.7	2 : 1	S, US	
1800		444T	171522.60	✓	13267	C444T17DB2	2000	460	164.0*	95.8	1.15	40.0	2 : 1	C, CN	
1800		444T	LM13817	✓	15178	SD4B150T64Y	1277	460	170.0*	95.8	1.25	37.4	2 : 1	S, US	
1800		444TS	LM32760	✓	15178	SD4B150TS64Y	277	460	170.0*	95.8	1.25	33.5	2 : 1	S, US	
1200		445T	171576.60	✓	16010	C445T11DB5	2040	460	178.0*	95.8	1.25	40.0	2 : 1	C, CN	
1200		445T	LM13818	✓	20309	SD6B150T64Y	1438	460	200.0*	95.4	1.15	42.9	2 : 1	S, US	
200		3600	444TS	171573.60	✓	14906	C444T35DB1	1765	460	216.0*	95.4	1.25	36.3	2 : 1	C, CN
		3600	444TS	LM13819	✓	20436	SD2B200TS64Y	1277	460	216.0*	95.8	1.25	33.5	2 : 1	S, US
	1800	445T	171523.60	✓	15301	C445T17DB14	2037	460	220.0*	95.8	1.25	40.0	2 : 1	C, CN	
	1800	445T	LM13820	✓	18668	SD4B200T64Y	1438	460	233.0*	96.2	1.25	39.4	2 : 1	S, US	
	1800	445TS	LM32761	✓	18668	SD4B200TS64Y	1449	460	233.0*	96.2	1.25	35.5	2 : 1	S, US	
	1200	447T	171577.60	✓	21046	C447T11DB1	2820	460	239.0*	96.2	1.25	43.1	2 : 1	C, CN	
	1200	449T	LM16239	✓	20930	SDB200T64Y	2112	460	255.0*	95.8	1.15	47.9	2 : 1	S, US	

Green items are Premium Efficient

♥ Note listing on inside back flap

* F.L. Amps at 460V

Continued On Next Page

▼ LM Numbers are Lincoln Models

C/A - Check Availability

Specifications are subject to change without notice

View On-line Technical Information



Single Phase ODP Motors

Single Phase TEFC Motors

Single Phase C Face Motors

Three Phase ODP Motors

Three Phase TEFC Motors

Three Phase C Face Motors

Inverter Duty Motors

Severe Duty Motors

Explosion Proof Motors

Three Phase ODP Motors

General Purpose - Standard,
EPACT and Premium Efficient Motors

Three Phase - Drip-Proof - Rigid Base

HP	SYN RPM 60 Hz	NEMA Frame	▼ Catalog Number	Stock	List Price	Model Number	App. Wgt. (lbs)	Voltage	F. L. Amps @ 460 V	% F.L. Eff.	Service Factor	"C" Dim. (Inches)	Inverter speed range	♥Notes
250	3600	445TS	LM13822	C/A	27250	SD2B250TS64Y	1438	460	267.0	95.8	1.15	35.5	2 : 1	S, US
	3600	445TS	LM13761	√	21793	SD2P250TS64Y	1438	460	266.0	94.5	1.15	35.5	2 : 1	S, US
	1800	445T	G151524.60	√	17175	C445T17DB10	1940	460	284.0	95.4	1.15	40.0	2 : 1	C, CN
	1800	445T	LM13823	C/A	26140	SD4B250T64Y	1438	460	293.0	96.2	1.15	39.4	2 : 1	S, US
	1800	447T	LM16235	C/A	26648	SD4B250T64Y	1745	460	293.0	96.2	1.15	39.4	2 : 1	S, US
	1800	445T	LM13762	√	20100	SD4P250T64Y	1438	460	293.0	95.4	1.15	39.4	2 : 1	S, US
	1800	445TS	LM15466	C/A	20100	SD4P250TS64Y	1438	460	293.0	95.4	1.15	35.5	2 : 1	S, US
	1200	447T	LM33553	C/A	33205	CCD6B250T64Y	2345	460	300.0	95.4	1.15	43.3	2 : 1	S, US
	1200	449T	LM17958	C/A	32745	SD6B250T64Y	2112	460	335.0	95.8	1.15	47.9	2 : 1	S, US
300	3600	447TS	LM13825	C/A	32102	SD2B300TS64Y	1745	460	316.0	96.2	1.15	39.0	2 : 1	S, US
	3600	447TS	LM13764	C/A	25422	SD2P300TS64Y	1745	460	316.0	95.4	1.15	39.0	2 : 1	S, US
	1800	447T	LM13826	√	27056	SD4B300T64Y	1745	460	348.0	95.8	1.15	42.9	2 : 1	S, US
	1800	449T	LM16238	C/A	28408	SD4B300T64Y	2112	460	342.0	96.5	1.15	47.9	2 : 1	S, US
	1800	447T	LM13765	√	21221	SD4P300T64Y	1745	460	349.0	95.4	1.15	42.9	2 : 1	S, US
	1800	449T	LM16227	C/A	22752	SD4P300T64Y	2112	460	342.0	95.4	1.15	47.9	2 : 1	S, US
	1800	447TS	LM22758	C/A	21221	SD4P300TS64Y	1745	460	349.0	95.4	1.15	39.0	2 : 1	S, US
	1800	445T	G151525.60	√	19703	C445T17DB11	1962	460	329.0	95.4	1.15	40.0	2 : 1	C, CN
	350	3600	447TS	LM13828	C/A	36340	SD2B350TS64Y	1745	460	369.0	95.8	1.15	39.0	2 : 1
3600		449TS	LM16237	C/A	38155	SD2B350TS64Y	2112	460	368.0	95.8	1.15	44.0	2 : 1	S, US
3600		447TS	LM13767	C/A	28776	SD2P350TS64Y	1745	460	369.0	95.4	1.15	39.0	2 : 1	S, US
3600		449TS	LM16226	C/A	30218	SD2P350TS64Y	2112	460	370.0	95.0	1.15	44.0	2 : 1	S, US
1800		447T	LM13829	C/A	33980	SD4B350T64Y	1745	460	405.0	95.8	1.15	42.9	2 : 1	S, US
1800		449T	LM17957	C/A	35680	SD4B350T64Y	2112	460	405.0	96.2	1.15	42.9	2 : 1	S, US
1800		447T	LM13768	√	24420	SD4P350T64Y	1745	460	406.0	95.4	1.0	42.9	2 : 1	S, US
1800		449T	LM17954	C/A	26135	SD4P350T64Y	2112	460	395.0	95.4	1.15	47.9	2 : 1	S, US
1800		447TS	LM15159	C/A	24420	SD4P350T64Y	1745	460	406.0	95.4	1.0	39.0	2 : 1	S, US
400	1800	447T	G151518.60	√	21745	N445T17DB9	2041	460	392.0	94.1	1.15	40.0	2 : 1	C, CN
	3600	449TS	LM13831	C/A	42003	SD2B400TS64Y	2112	460	430.0	95.8	1.15	44.0	2 : 1	S, US
	3600	449TS	LM13770	C/A	32553	SD2P400TS64Y	2112	460	420.0	95.4	1.15	44.0	2 : 1	S, US
	1800	449T	LM13832	C/A	40761	SD4B400T64Y	2112	460	445.0	96.2	1.15	47.9	2 : 1	S, US
	1800	449T	LM13771	C/A	30508	SD4P400T64Y	2112	460	460.0	95.8	1.15	47.9	2 : 1	S, US
	1800	449TS	LM22759	C/A	30508	SD4P400TS64Y	2112	460	460.0	95.8	1.15	44.0	2 : 1	S, US

Green items are Premium Efficient

♥ Note listing on inside back flap

▼ LM Numbers are Lincoln Models

Continued On Next Page

C/A - Check Availability

Specifications are subject to change without notice



View On-line Technical Information



Three Phase ODP Motors Compressor Duty

General Specifications:

Motors designed for air compressor, pump, and fan and blower duty applications which require high breakdown torque and rugged mechanical construction.

Mechanical Features:

- Double shielded ball bearings
- Designed for belted loads
- Class F Insulation



Three Phase - Drip-Proof - Rigid Base

HP	SYN RPM 60 Hz	NEMA Frame	▼ Catalog Number	Stock	List Price	Model Number	App. Wgt. (lbs)	Voltage	F. L. Amps @ 230 V	% F.L. Eff.	Service Factor	"C" Dim. (Inches)	Inverter speed range	♥Notes
1	1800	143T	121003.00	✓	639	C143T17DB10	36	208-230/460	3.2	85.5	1.25	12.1	10 : 1	S, US
			LM24871	✓	527	SSD4B1T6	35	208-230/460	3.2	85.5	1.25	12.0	10 : 1	S, MX
1 1/2	1800	145T	121004.00	✓	667	C145T17DB32	35	208-230/460	4.8	86.5	1.25	12.6	10 : 1	S, US
			LM24875	✓	551	SSD4B1.5T6	45	208-230/460	4.4	86.5	1.25	13.0	10 : 1	S, MX
2	1800	145T	121005.00	✓	755	C145T17DB33	37	208-230/460	5.8	86.5	1.25	13.6	10 : 1	S, US
			LM24169	✓	610	SSD4B2T6	48	208-230/460	6.0	86.5	1.25	11.5	10 : 1	S, MX
3	1800	182T	131519.00	✓	773	C182T17DB37	75	208-230/460	7.8	89.5	1.25	13.7	10 : 1	S, MX
			LM24222	C/A	796	SSD4B3T61	75	208-230/460	8.0	89.5	1.25	13.2	10 : 1	S, MX
5	1800	184T	131520.00	✓	871	C184T17DB44	86	208-230/460	12.8	89.5	1.25	14.7	10 : 1	S, MX
			LM24202	✓	892	SSD4B5T61	91	208-230/460	12.6	89.5	1.25	14.2	10 : 1	S, MX
7 1/2	1800	213T	140470.00	✓	1093	C213T17DB2	133	208-230/460	20.6	91.0	1.25	16.3	10 : 1	S, MX
			LM24194	✓	1256	SSD4B7.5T6	125	208-230/460	19.2	91.0	1.25	18.5	10 : 1	S, US
10	1800	215T	140472.00	✓	1291	C215T17DB15	144	208-230/460	26.8	91.7	1.25	17.3	10 : 1	S, MX
			LM24193	✓	1403	SSD4B10T6	155	208-230/460	25.0	91.7	1.25	18.5	10 : 1	S, US
20	1800	256T	170006.60	✓	2224	C256T17DB5	324	208-230/460	51.0	93.0	1.25	22.6	10 : 1	C, CN
			LM24199	✓	2415	CCD4B20T6	350	208-230/460	48.0	93.0	1.25	24.4	10 : 1	C, US

Green items are Premium Efficient

♥ Note listing on inside back flap

▼ LM Numbers are Lincoln Models

Specifications are subject to change without notice



Single Phase
ODP Motors

Single Phase
TEFC Motors

Single Phase
C Face Motors

Three Phase
ODP Motors

Three Phase
TEFC Motors

Three Phase
C Face Motors

Inverter Duty
Motors

Severe Duty
Motors

Explosion Proof
Motors

Three Phase ODP Motors

Resilient Base Motors - General Purpose or Fan & Blower Service - Moderate Starting Torque

General Specifications:

- Industrial quality resilient base
- Moderate starting torque
- Double shielded ball bearings
- Belt-Driven or fan-on-shaft applications



Drip-Proof - Three Phase - Resilient Base

HP	SYN RPM 60 Hz	NEMA Frame	Catalog Number	Stock	List Price	Model Number	App. Wgt. (lbs)	Voltage	Over- load Prot.	F. L. Amps @ 230	Service Factor	% F.L. Eff.	"C" Dim. (Inches)	♥Notes
1/3	3600	S56	101639.00	✓	359	A4T34DJ4	17	208-230/460	Auto.	1.7	1.35	61.0	10.31	S, US, 33
	1800	S56	100210.00	✓	392	C4T17DJ3	18	208-230/460	None	1.6	1.35	64.3	10.31	S, MX
	1800	S56	101520.00	✓	476	A4T17DJ18	19	208-230/460	Auto.	1.6	1.35	64.3	10.81	S, MX, 33
1/2	3600	S56	101640.00	C/A	432	A4T34DJ3	18	208-230/460	Auto.	2.4	1.25	69.0	10.31	S, US, 33
	1800	S56	100145.00	✓	449	C4T17DJ1	22	208-230/460	None	2.0	1.25	68.0	10.81	S, MX
	1800	S56	100796.00	✓	523	A4T17DJ10	22	208-230/460	Auto.	2.0	1.25	68.0	11.31	S, MX
3/4	3600	S56	101773.00	✓	451	C4T34DJ8	20	208-230/460	None	2.4	1.25	79.0	10.81	S, US
	3600	S56	101641.00	✓	527	A4T34DJ5	20	208-230/460	Auto.	2.4	1.25	79.0	11.31	S, US, 33
	1800	S56	100146.00	✓	499	C4T17DJ2	25	208-230/460	None	2.8	1.25	75.0	11.31	S, MX
	1800	S56	100908.00	✓	567	A4T17DJ13	26	208-230/460	Auto.	2.8	1.25	75.0	11.81	S, US, 33
1	3600	56	114192.00	✓	481	C6T34DR35	24	208-230/460	None	3.2	1.25	77.0	10.82	S, US
	3600	56	113895.00	✓	556	A6T34DR30	25	208-230/460	Auto.	3.2	1.25	77.0	10.82	S, US, 33
	1800	56	110052.00	✓	524	C6T17DR1	23	208-230/460	None	4.2	1.15	78.5	11.31	S, US
	1800	56H	111311.00	✓	589	A6T17DR11	27	208-230/460	Auto.	4.2	1.15	78.5	11.31	S, US, 33
1 1/2	3600	56H	114194.00	C/A	586	C6T34DR36	31	208-230/460	None	4.2	1.15	81.5	11.82	S, US
	3600	56H	113896.00	✓	630	A6T34DR31	29	208-230/460	Auto.	4.2	1.15	81.5	11.82	S, US, 33
	1800	56H	110433.00	✓	603	C6T17DR4	32	208-230/460	None	5.6	1.15	78.5	11.81	S, US
	1800	56H	113846.00	✓	625	A6T17DR25	29	208-230/460	Auto.	5.6	1.15	78.5	11.81	S, US, 33
2	3600	56H	114196.00	✓	678	C6T34DR37	36	208-230/460	None	5.6	1.15	82.9	12.32	S, US
	3600	56H	113897.00	✓	731	A6T34DR32	39	208-230/460	Auto.	5.6	1.15	82.9	12.32	S, US, 33
	1800	56H	114197.00	✓	655	C6T17DR29	37	208-230/460	None	6.2	1.15	78.5	12.31	S, US
	1800	56H	113847.00	✓	717	A6T17DR26	34	208-230/460	Auto.	6.2	1.15	78.5	12.31	S, US, 33
3	3600	56HZ	113926.00	✓	722	U6T34DR33	40	208-230/460	Auto.	7.6	1.0	84.0	13.19	S, US, 33
	1800	56HZ	116593.00	✓	786	A6T17DR33	47	230/460	Auto.	8.6	1.15	82.5	14.19	S, US, 33

C/A - Check Availability

♥ Note listing on inside back flap

Specifications are subject to change without notice



View On-line Technical Information

Three Phase ODP Motors F2 Conduit Box Mount Motors - General Purpose

Three Phase - ODP - Rigid Base

HP	SYN RPM 60 Hz	NEMA Frame	Catalog Number	Stock	List Price	Model Number	App. Wgt. (lbs)	Voltage	F. L. Amps @ 230	Service Factor	% F.L. Eff.	"C" Dim. (Inches)	Notes
3	1800	182T	132232.00	√	773	C182T17DB57	75	208-230/460	7.2	1.15	89.5	13.7	S, MX
5	1800	184T	132233.00	√	871	C184T17DB77	86	208-230/460	12.8	1.15	89.5	14.7	S, MX
7 1/2	1800	213T	140831.00	C/A	1093	C213T17DB14	133	208-230/460	20.6	1.25	91	16.3	S, MX

Green items are Premium Efficient

♥ Note listing on inside back flap

C/A - Check Availability

Specifications are subject to change without notice

Three Phase ODP Motors

Three Phase - Automatic Overload Protected Motors

General Specifications:

- General purpose
- Automatic reset protection
- Not for use with variable frequency inverters



Three Phase - Drip-Proof - Rigid Base

HP	SYN RPM 60 Hz	NEMA Frame	Catalog Number	Stock	List Price	Model Number	App. Wgt. (lbs)	Voltage	Over-load Prot.	F. L. Amps @ 230	Service Factor	% F.L. Eff.	"C" Dim. (Inches)	Notes
3	1800	182T	132234.00	√	931	U182T17DB61	58	208-230/460	Auto	8.4	1.15	86.5	12.69	S, MX
5	1800	184T	132235.00	√	1045	U184T17DB82	78	208-230/460	Auto	13.2	1.15	87.5	13.69	S, MX

Green items are Premium Efficient

♥ Note listing on inside back flap

Specifications are subject to change without notice

View On-line Technical Information



Single Phase
ODP Motors

Single Phase
TEFC Motors

Single Phase
C Face Motors

Three Phase
ODP Motors

Three Phase
TEFC Motors

Three Phase
C Face Motors

Inverter Duty
Motors

Severe Duty
Motors

Explosion Proof
Motors

Three Phase Motors Totally Enclosed

**Three Phase Motors – General Purpose – Totally Enclosed –
208-230/460V & 460V Rigid Mount – ¼ HP – 400 HP
Steel Frame – Aluminum Frame – Cast Iron Frame**



- Standard, EPACT and Premium efficient ratings
- Inverter-rated
- Class B insulation systems – 42, 48 and 56 frames
- Class F insulation system – 140 frame and higher
- Shielded ball bearings for direct coupled applications
Contact your local sales office for belted load applications
- Continuous duty
- Dynamically balanced rotors
- 1-year warranty on Standard efficient motors
- 2-year warranty on EPACT efficient motors
- 3-year warranty on Premium efficient motors
- Torques exceed NEMA performance standards
- UL recognized and CSA certified



Applications:

- For use where exposure to water, dust and corrosives exists. Ideally suited for use on pumps, compressors, fans, blowers, conveyors, machine tools and other industrial applications.



Three Phase Motors Totally Enclosed

General Purpose - Standard, Epact and Premium Efficient - Three Phase Motors

Three Phase - Totally Enclosed - Rigid Base

HP	SYN RPM 60 Hz	NEMA Frame	▼ Catalog Number	Stock	List Price	Model Number	App. Wgt. (lbs)	Voltage	F. L. Amps @ 230 V	% F.L. Eff.	Service Factor	"C" Dim. (Inches)	Inverter speed range	♥ Notes
1/4	1800	48	101646.00	✓	331	C4T17FB9	18	208-230/460	1.4	58.0	1.15	9.31	2 : 1	S, MX
	1800	48	LM24929	✓	348	SPF4S0.25T61	17	230/460	1.3	62.5	1.15	9.59	2 : 1	S, MX
1/3	3600	48	102684.00	✓	328	C4T34FB5	18	208-230/460	1.4	68.0	1.0	8.81	2 : 1	S, US
	1800	48	101647.00	✓	396	C4T17FB10	21	208-230/460	1.6	64.3	1.15	9.31	2 : 1	S, MX
	1800	48	LM24930	C/A	414	SPF4S0.33T61	20	230/460	1.6	65.5	1.15	9.84	2 : 1	S, US
	1800	S56	101079.00	✓	363	C4T17FH6	22	208-230/460	1.6	64.3	1.15	9.69	2 : 1	S, MX
	1800	S56	LM24107	✓	389	SRF4S0.33T61	16	230/460	1.6	65.5	1.15	10.22	2 : 1	S, MX
	1800	S56	103019.00	✓	531	C4T17FH12	24	208-230/460	1.3	77.0	1.25	10.19	2 : 1	S, MX
	1200	56	110441.00	✓	571	C6T11FB5	23	208-230/460	1.6	65.0	1.15	10.81	2 : 1	S, US
	1200	56	LM24931	C/A	595	SRF6S0.33T61	22	208-230/460	2.2	62.0	1.15	11.32	2 : 1	S, MX
1/2	3600	48	100905.00	✓	384	C4T34FB2	18	208-230/460	1.8	69.0	1.0	9.94	2 : 1	S, US
	3600	56	LM24165	✓	397	SRF2S0.5T61	22	230/460	2.2	69.0	1.15	11.82	2 : 1	S, US
	1800	48	100961.00	✓	464	C4T17FB4	21	208-230/460	2.0	73.0	1.15	9.56	2 : 1	S, MX
	1800	48	LM24932	C/A	484	SPF4S0.5T61	23	230/460	2.2	70.0	1.15	10.34	2 : 1	S, US
	1800	S56	100913.00	✓	416	C4T17FH1	24	208-230/460	2.0	73.0	1.15	9.94	2 : 1	S, MX
	1800	S56	LM24073	✓	445	SRF4S0.5T61	18	230/460	2.2	70.0	1.15	10.72	2 : 1	S, MX
	1800	S56	103020.00	✓	563	C4T17FH13	27	208-230/460	1.8	77.0	1.25	10.69	10 : 1	S, MX
	1200	56	110353.00	✓	616	C6T11FB2	26	208-230/460	2.4	70.0	1.15	11.31	2 : 1	S, US
	1200	56	LM24105	✓	644	SRF6S0.5T61	24	230/460	2.7	68.0	1.15	11.82	2 : 1	S, MX
	900	56	114618.00	✓	907	C6T8FB11	31	208-230/460	2.4	69.0	1.15	11.81	2 : 1	S, US
	900	143T	LM24291	✓	946	SSF8S0.5T61	31	230/460	2.6	66.0	1.15	13.37	2 : 1	S, US
	3/4	3600	48	100960.00	✓	422	C4T34FB3	21	208-230/460	2.4	79.0	1.0	10.44	2 : 1
3600		56	110313.00	✓	422	C6T34FB2	22	208-230/460	2.4	75.5	1.15	10.81	2 : 1	S, US
3600		56	LM24133	✓	439	SEF2S0.75T61	23	230/460	3.2	74.0	1.15	11.82	2 : 1	S, US
1800		56	110034.00	✓	444	C6T17FB1	22	208-230/460	2.8	77.0	1.15	10.81	2 : 1	S, US
1800		S56	LM24075	✓	478	SRF4S0.75T61	30	230/460	2.8	75.5	1.15	11.22	2 : 1	S, MX
1800		56	116739.00	✓	592	C6T17FB152	31	208-230/460	2.4	81.5	1.25	11.31	10 : 1	S, US
1200		56	110275.00	✓	616	C6T11FB3	33	208-230/460	3.0	75.5	1.15	11.81	2 : 1	S, US
1200		56	LM24136	✓	659	SRF6S0.75T61	28	230/460	3.2	74.0	1.15	12.32	2 : 1	S, MX
1200		143T	121009.00	✓	629	C143T11FB2	34	208-230/460	3.0	75.5	1.15	12.75	2 : 1	S, US
1200		143T	LM24103	✓	659	SSF6S0.75T61	29	230/460	3.2	74.0	1.15	12.37	2 : 1	S, MX
900		145T	121199.00	✓	1045	C145T8FB5	21	208-230/460	3.1	70.0	1.15	12.75	2 : 1	S, US
900		145T	LM24276	✓	1084	SSF8S0.75T61	49	230/460	4.8	70.0	1.15	14.87	2 : 1	S, US

Green items are Premium Efficient

♥ Note listing on inside back flap

▼ LM Numbers are Lincoln Models

Continued On Next Page

C/A - Check Availability

Specifications are subject to change without notice

View On-line Technical Information



Single Phase
ODP Motors

Single Phase
TEFC Motors

Single Phase
C Face Motors

Three Phase
ODP Motors

Three Phase
TEFC Motors

Three Phase
C Face Motors

Inverter Duty
Motors

Severe Duty
Motors

Explosion Proof
Motors

Single Phase
ODP MotorsSingle Phase
TEFC MotorsSingle Phase
C Face MotorsThree Phase
ODP MotorsThree Phase
TEFC MotorsThree Phase
C Face MotorsInverter Duty
MotorsSevere Duty
MotorsExplosion Proof
Motors

Three Phase Motors Totally Enclosed

General Purpose - Standard,
Epack and Premium Efficient - Three Phase Motors

Three Phase - Totally Enclosed - Rigid Base

HP	SYN RPM 60 Hz	NEMA Frame	▼ Catalog Number	Stock	List Price	Model Number	App. Wgt. (lbs)	Voltage	F. L. Amps @ 230 V	% F.L. Eff.	Service Factor	"C" Dim. (Inches)	Inverter speed range	♥ Notes
1	3600	56	110145.00	✓	494	C6T34FB1	24	208-230/460	3.2	77.0	1.15	10.81	10 : 1	S, US
	3600	56	LM24094	✓	516	SRF2S1T61	24	230/460	3.7	74.0	1.15	11.82	2 : 1	S, US
	3600	56	116129.00	✓	654	C6T34FB49	24	208-230/460	2.8	80.0	1.25	11.31	10 : 1	S, US
	1800	56	110035.00	✓	464	C6T17FB2	30	208-230/460	3.8	77.0	1.15	11.31	2 : 1	S, US
	1800	56	LM24078	✓	495	SRF4S1T61	27	230/460	3.6	77.0	1.15	12.32	2 : 1	S, MX
	1800	56	116757.00	✓	727	C6T17FB151	32	208-230/460	3.2	85.5	1.25	12.81	10 : 1	S, US
	1800	56HZ	115830.00	✓	492	C6T17FB120	33	208-230/460	3.8	77.0	1.15	12.75	2 : 1	S, US, 5
	1800	143T	120921.00	✓	727	C143T17FB13	32	208-230/460	3.2	85.5	1.25	13.25	10 : 1	S, US
	1800	143T	LM32796	✓	718	SSF4B1T61	41	230/460	3.2	85.5	1.25	12.93	10 : 1	S, MX
	1800	143T	171640.60	✓	780	C145T17FB25	50	208-230/460	3.2	85.5	1.15	13.46	10 : 1	C, CN
	1800	143T	LM24102	✓	799	CCN3BIT61	56	230/460	3.0	85.5	1.25	10.43	10 : 1	C, US
	1200	56	113933.00	✓	638	C6T11FB13	35	208-230/460	4.0	77.0	1.15	12.31	2 : 1	S, US
1200	56H	LM24159	✓	665	SRF6S1T61	35	230/460	4.0	78.5	1.15	12.82	2 : 1	S, MX	
1200	145T	121520.00	✓	859	C145T11FB20	47	208-230/460	3.8	82.5	1.25	13.75	10 : 1	S, US	
1200	145T	LM33121	✓	824	SSF6B1T61	35	230/460	3.8	82.5	1.15	14.87	10 : 1	S, MX	
1200	145T	171643.60	✓	918	C145T11FB25	58	208-230/460	3.8	82.5	1.25	13.46	10 : 1	C, CN	
900	182T	G131478.00	✓	1288	C182T8FB9	57	230/460	4.2	74.0	1.15	12.96	2 : 1	S, MX	
900	182T	LM32662	✓	1205	AAF8P1T61	64	230/460	4.4	74.0	1.15	14.19	2 : 1	A, US	
900	182T	LM33560	C/A	1205	AAF8P1T61AP26	64	230/460	4.4	74.0	1.15	14.19	2 : 1	A, MX	
1 1/2	3600	56	110745.00	✓	540	C6T34FB16	30	208-230/460	4.2	81.5	1.15	11.81	2 : 1	S, US
	3600	56	LM24144	✓	566	SRF2S1.5T61	34	230/460	4.6	80.0	1.15	11.82	2 : 1	S, US
	3600	56	116758.00	✓	742	C6T34FB50B	33	208-230/460	4.0	84.0	1.25	12.81	10 : 1	S, US
	3600	143T	121518.00	✓	742	C143T34FB1	33	208-230/460	4.0	84.0	1.25	13.25	10 : 1	S, US
	3600	143T	LM33122	✓	742	SSF2B1.5T61	32	230/460	4.0	84.0	1.25	13.37	10 : 1	S, US
	3600	143T	171642.60	✓	795	C143T34FB5	49	208-230/460	4.0	84.0	1.25	13.46	10 : 1	C, CN
	3600	143T	LM15854	C/A	1012	CCF2B1.5T61	54	230/460	4.0	84.0	1.15	13.46	10 : 1	C, US
	1800	56	110444.00	✓	522	C6T17FB14	30	208-230/460	5.0	78.5	1.15	11.81	2 : 1	S, US
	1800	56H	LM24118	✓	526	SRF4S1.5T61	30	230/460	4.8	80.0	1.15	12.32	2 : 1	S, MX
	1800	56	116759.00	✓	742	C6T17FB150	34	208-230/460	4.8	86.5	1.25	13.31	10 : 1	S, US
	1800	56HZ	115829.00	✓	496	C6T17FB121B	37	208-230/460	5.0	78.5	1.15	12.75	2 : 1	S, US, 5
	1800	145T	120922.00	✓	754	C145T17FB33	34	208-230/460	4.8	86.5	1.15	13.75	10 : 1	S, US
	1800	145T	LM33123	✓	754	SSF4B1.5T61	45	230/460	4.8	86.5	1.25	13.43	10 : 1	S, MX
	1800	145T	171646.60	✓	805	C145T17FB78	54	208-230/460	4.8	86.5	1.15	13.46	10 : 1	C, CN
	1800	145T	LM25637	✓	852	CCN4B1.5T61	62	230/460	4.4	84.0	1.25	11.43	2 : 1	C, US
	1200	56H	114930.00	✓	733	C6T11FB17	48	208-230/460	5.7	77.0	1.15	13.31	2 : 1	S, US
	1200	56HZ	116591.00	✓	733	C6T11FB24B	45	208-230/460	5.7	77.0	1.15	13.75	2 : 1	S, US, 5
	1200	182T	131980.00	✓	1252	C182T11FB9	89	208-230/460	5.6	87.5	1.15	15.96	10 : 1	S, MX
	1200	182T	LM15648	✓	972	AAF6B1.5T61	83	230/460	4.4	87.7	1.25	15.19	10 : 1	A, US
	1200	182T	LM33561	✓	972	AAF6B1.5T61AP26	83	230/460	4.4	87.7	1.25	15.19	10 : 1	A, MX
	1200	182T	LM15868	C/A	1060	CCF6B1.5T61	112	230/460	—	87.5	1.15	—	10 : 1	C, US
	900	184T	G131479.00	✓	1530	C184T8FB6	68	230/460	5.6	77.0	1.15	13.96	2 : 1	S, MX
	900	184T	LM32798	✓	1428	AAF8P1.5T61	71	230/460	6.2	77.0	1.15	15.19	2 : 1	A, US
	900	184T	LM33562	✓	1428	AAF8P1.5T61	71	230/460	6.2	77.0	1.15	15.19	2 : 1	A, MX

Green items are Premium Efficient

♥ Note listing on inside back flap

▼ LM Numbers are Lincoln Models

Continued On Next Page

C/A - Check Availability

Specifications are subject to change without notice



View On-line Technical Information



Three Phase Motors Totally Enclosed

General Purpose - Standard, Epact and Premium Efficient - Three Phase Motors

Three Phase - Totally Enclosed - Rigid Base

HP	SYN RPM 60 Hz	NEMA Frame	▼ Catalog Number	Stock	List Price	Model Number	App. Wgt. (lbs)	Voltage	F. L. Amps @ 230 V	% F.L. Eff.	Service Factor	"C" Dim. (Inches)	Inverter speed range	♥Notes
2	3600	56	111916.00	✓	608	C6T34FB24	33	208-230/460	5.6	82.5	1.15	12.31	2 : 1	S, US
	3600	56H	LM24347	✓	634	SRF2S2T61	39	230/460	6.0	82.5	1.15	12.32	2 : 1	S, US
	3600	56	116760.00	✓	812	C6T34FB518	44	208-230/460	4.8	85.5	1.25	13.31	2 : 1	S, US
	3600	145T	121519.00	✓	812	C145T34FB33	44	208-230/460	4.8	85.5	1.25	13.75	10 : 1	S, US
	3600	145T	LM33124	✓	812	SSF2BT61	31	230/460	4.8	85.5	1.25	13.43	10 : 1	S, US
	3600	145T	171648.60	✓	868	C145T34FB37	56	208-230/460	4.8	85.5	1.25	13.46	10 : 1	C, CN
	3600	145T	LM15857	C/A	1116	CCN2B2T61	71	230/460	5.0	85.5	1.15	14.29	10 : 1	C, US
	1800	56H	113026.00	✓	567	C6T17FB65	35	208-230/460	6.2	81.5	1.15	12.31	2 : 1	S, US
	1800	56H	LM24097	✓	558	SRF4S2T61	40	230/460	5.8	82.5	1.15	13.82	2 : 1	S, MX
	1800	56HZ	115828.00	✓	526	C6T17FB119	37	208-230/460	6.2	81.5	1.15	12.75	2 : 1	S, US
	1800	56H	116761.00	✓	785	C6T17FB154	45	208-230/460	5.8	86.5	1.25	14.32	10 : 1	S, US
	1800	145T	120923.00	✓	785	C145T17FB32	45	208-230/460	5.8	86.5	1.25	14.76	10 : 1	S, US
	1800	145T	LM33125	✓	679	SSF4B2T61	41	230/460	6.5	86.5	1.25	13.93	10 : 1	S, MX
	1800	145T	171647.60	✓	839	C145T17FB79	58	208-230/460	5.8	86.5	1.0	13.46	10 : 1	C, CN
	1800	145T	LM24127	✓	897	CCN4B2T61	64	230/460	6.0	85.5	1.15	11.43	10 : 1	C, US
	1200	184T	131981.00	✓	1275	C184T11FB20	89	208-230/460	7.2	88.5	1.15	15.96	10 : 1	S, MX
	1200	184T	LM15651	✓	1081	AAF6B2T61	92	230/460	6.0	88.5	1.25	16.19	10 : 1	A, US
	1200	184T	LM33563	✓	1081	AAF6B2T61AP26	92	230/460	6.0	88.5	1.25	16.19	10 : 1	A, MX
1200	184T	LM15871	C/A	1368	CCN6B2T61	126	230/460	—	88.5	1.15	—	10 : 1	C, US	
900	213T	G140516.00	✓	2114	C213T8FB3	114	230/460	8.0	82.5	1.15	18.22	2 : 1	S, MX	
900	213T	LM32799	✓	1694	AF8P2T61	101	230/460	7.3	82.5	1.15	17.20	10 : 1	A, US	
3	3600	56H	114614.00	✓	707	C6T34FB35	40	208-230/460	7.6	84.0	1.15	13.25	2 : 1	S, US, 5
	3600	56H	LM24935	C/A	742	SRF2S3T61	51	230/460	7.6	84.0	1.15	13.52	2 : 1	S, US
	3600	182T	131985.00	✓	1008	C182T34FB72	66	208-230/460	7.6	86.5	1.25	13.96	10 : 1	S, MX
	3600	182T	LM15646	✓	1283	AAF2B3T61	83	230/460	7.6	87.5	1.25	15.19	10 : 1	A, US
	3600	182T	LM33564	C/A	1283	AAF2B3T61AP26	83	230/460	7.6	87.5	1.25	15.19	10 : 1	A, MX
	3600	182T	LM33262	C/A	1008	SSF2B3T61	75	230/460	7.6	87.5	1.15	13.46	10 : 1	S, MX
	3600	182T	LM15866	C/A	1167	CCN2B3T61	107	230/460	7.6	86.5	1.15	15.50	10 : 1	C, US
	1800	56HZ	116594.00	✓	622	C6T17FB144	45	208-230/460	8.6	82.5	1.0	14.26	2 : 1	S, US
	1800	182T	131463.00	✓	888	C215T11FB11AA	80	208-230/460	7.8	89.5	1.15	14.96	10 : 1	S, MX
	1800	182T	LM15647	✓	928	AAF4B3T61	83	230/460	8.0	89.5	1.25	15.19	10 : 1	A, US
	1800	182T	LM33486	✓	928	AAF4B3T61AP26	83	230/460	8.0	89.5	1.25	15.19	10 : 1	A, MX
	1800	182T	LM32741	✓	1261	SSF4B3T61	77	230/460	7.8	89.5	1.15	13.96	10 : 1	S, MX
	1800	182T	171320.60	✓	997	C182T17FB42	104	208-230/460	7.8	89.5	1.25	15.89	10 : 1	C, CN
	1800	182T	LM25638	C/A	1119	CCF4B3T61	82	230/460	8.0	90.2	1.25	14.81	10 : 1	C, US
	1800	182T	LM60026	✓	947	CCF4B3T61AP21	104	230/460	8.4	90.2	1.15	15.00	10 : 1	C, CN
	1200	213T	171378.60	✓	1410	C213T11FB1	171	208-230/460	9.4	89.5	1.25	18.19	10 : 1	C, CN
	1200	213T	LM16030	✓	1553	AF6B3T61	127	230/460	9.0	87.5	1.15	17.20	10 : 1	A, US
	1200	213T	LM15880	C/A	1791	CCF6B3T61	173	230/460	9.6	89.5	1.25	18.19	10 : 1	C, US
	1200	213T	LM60027	✓	1339	CCF6B3T61AP21	170	230/460	9.6	89.5	1.25	18.19	10 : 1	C, CN
	900	215T	G151809.22	C/A	3300	C215T8FB1	171	208-230/460	11.4	84.0	1.15	19.61	10 : 1	C, CA

Green items are Premium Efficient

♥ Note listing on inside back flap

▼ LM Numbers are Lincoln Models

Continued On Next Page

C/A - Check Availability

Specifications are subject to change without notice

View On-line Technical Information



Single Phase
ODP Motors

Single Phase
TEFC Motors

Single Phase
C Face Motors

Three Phase
ODP Motors

Three Phase
TEFC Motors

Three Phase
C Face Motors

Inverter Duty
Motors

Severe Duty
Motors

Explosion Proof
Motors

Three Phase Motors Totally Enclosed

General Purpose - Standard,
Epack and Premium Efficient - Three Phase Motors

Three Phase - Totally Enclosed - Rigid Base

HP	SYN RPM 60 Hz	NEMA Frame	▼ Catalog Number	Stock	List Price	Model Number	App. Wgt. (lbs)	Voltage	F. L. Amps @ 230 V	% F.L. Eff.	Service Factor	"C" Dim. (Inches)	Inverter speed range	♥Notes
5	3600	184T	131987.00	√	1127	C184T34FB20	88	208-230/460	12.0	88.5	1.25	16.46	10 : 1	S, MX
	3600	184T	LM15649	√	1376	AAF2BT61	89	230/460	11.8	89.5	1.25	16.19	10 : 1	A, US
	3600	184T	LM33565	√	1376	AAF2BT61AP26	89	230/460	11.8	89.5	1.25	16.19	10 : 1	A, MX
	3600	184T	LM33263	√	1127	SSF2B5TC61	83	230/460	12.0	88.5	1.25	16.46	10 : 1	S, MX
	3600	184T	LM15869	C/A	1315	CCF2BT61	108	230/460	11.8	88.5	1.15	15.81	10 : 1	C, US
1800	184T	131464.00	√	976	C184T17FB42	87	208-230/460	12.8	89.5	1.15	15.96	10 : 1	S, MX	
	184T	LM15650	√	1086	AAF4B5T61	104	230/460	12.4	90.2	1.25	16.19	10 : 1	A, US	
	184T	LM33487	√	1086	AAF4B5T61AP26	104	230/460	12.4	90.2	1.25	16.19	10 : 1	A, MX	
	184T	LM33266	√	976	SSF4BT61	87	230/460	13.8	87.5	1.15	14.96	10 : 1	S, MX	
	184T	171322.60	√	1036	C184T17FB43	109	208-230/460	12.8	89.5	1.25	16.80	10 : 1	C, CN	
	184T	LM24195	√	1227	CCF4B5T61	117	230/460	12.4	90.2	1.25	15.81	10 : 1	C, US	
1200	184T	LM60029	√	983	CCF3B5T61AP21	109	230/460	12.8	89.5	1.15	16.80	10 : 1	C, CN	
	215T	171379.60	√	1572	C215T11FB1	176	208-230/460	14.4	89.5	1.25	19.61	10 : 1	C, CN	
	215T	LM16033	√	1801	AF6B5T61	138	230/460	13.8	89.5	1.15	18.70	10 : 1	A, US	
	215T	LM32802	√	1551	SSF6BT61	140	230/460	14.0	90.2	1.15	20.23	10 : 1	S, US	
	215T	LM15883	C/A	2000	CCF6BT61	203	230/460	14.4	89.5	1.15	19.61	10 : 1	C, US	
900	215T	LM60030	√	1493	CCF6B5T61AP21	176	230/460	14.4	89.5	1.25	19.61	10 : 1	C, CN	
	254T	G151355.22	√	3407	C254T8FB5A	188	208-230/460	14.4	88.3	1.15	23.23	10 : 1	C, CA	
7 1/2	900	254T	LM32803	√	2521	AF8P5T61	159	230/460	15.0	87.5	1.15	23.40	2 : 1	A, US
	3600	213T	170158.60	√	1438	C215T11FB11AA	147	208-230/460	18.0	91.0	1.25	18.19	10 : 1	C, CN
	3600	213T	LM28968	√	1481	AF2B7.5T61	127	230/460	17.8	91.7	1.25	20.65	10 : 1	A, US
	3600	213T	LM15878	C/A	1368	CCF2B7.5T61	192	230/460	18.3	89.5	1.15	18.19	10 : 1	C, US
	3600	213T	LM60031	√	1366	CCF2B7.5T61AP21	147	230/460	20.0	91.0	1.15	18.19	10 : 1	C, CN
	3600	213T	140756.00	√	1358	C213T34FB1	156	208-230/460	17.8	90.2	1.15	19.84	10 : 1	S, MX
	3600	213T	LM32804	√	1344	SSF2B7.5T61	109	230/460	17.8	90.2	1.15	20.23	10 : 1	S, US
1800	213T	140450.00	√	1254	C213T17FB6	153	208-230/460	21.4	91.7	1.25	18.70	10 : 1	S, MX	
	213T	LM32805	√	1158	SSF4B7.5T61	144	230/460	19.4	91.7	1.15	20.23	10 : 1	S, US	
	213T	LM16029	√	1427	AF4B7.5T61	127	230/460	19.2	91.1	1.25	18.70	10 : 1	A, US	
	213T	170157.60	√	1385	C213T17FB43	155	208-230/460	18.6	91.7	1.25	18.19	10 : 1	C, CN	
	213T	LM24209	√	1477	CCF4B7.5T61	180	230/460	19.2	91.7	1.25	19.70	10 : 1	C, US	
	213T	LM60032	√	1317	CCF4B7.5T61AP21	155	230/460	18.8	91.9	1.15	18.19	10 : 1	C, CN	
1200	254T	170122.60	√	2049	C254T11FB3	249	208-230/460	22.2	91.7	1.25	23.19	10 : 1	C, CN	
	254T	LM15672	√	2648	AF6B7.5T61	209	230/460	19.8	91.0	1.25	23.40	10 : 1	A, US	
	254T	LM15892	C/A	2699	CCF6B7.5T61	223	230/460	22.0	91.0	1.15	23.19	10 : 1	C, US	
	254T	LM60033	√	1947	CCF6B7.5T61AP21	249	230/460	22.0	91.7	1.22	23.19	10 : 1	C, CN	
	900	256T	G151356.22	√	3702	C256T8FB42	300	208-230/460	20.0	87.7	1.15	24.96	10 : 1	C, CA
900	256T	LM32807	√	2983	AF8P7.5T61	195	230/460	23.0	86.5	1.15	25.15	2 : 1	A, US	

Green items are Premium Efficient

▼ LM Numbers are Lincoln Models

C/A - Check Availability

Specifications are subject to change without notice

♥ Note listing on inside back flap

Continued On Next Page



View On-line Technical Information



Three Phase Motors Totally Enclosed

General Purpose - Standard, Epack and Premium Efficient - Three Phase Motors

Three Phase - Totally Enclosed - Rigid Base

HP	SYN RPM 60 Hz	NEMA Frame	▼ Catalog Number	Stock	List Price	Model Number	App. Wgt. (lbs)	Voltage	F. L. Amps @ 230 V	% F.L. Eff.	Service Factor	"C" Dim. (Inches)	Inverter speed range	♥ Notes
10	3600	215T	140755.00	✓	1577	C215T34FB11	170	208-230/460	23.6	91.7	1.15	21.09	10 : 1	S, MX
	3600	215T	LM32808	✓	1709	SSF2B10T61	172	230/460	23.6	91.7	1.15	21.48	10 : 1	S, US
	3600	215T	170159.60	✓	1703	C215T34FB47	181	208-230/460	23.4	91.7	1.25	19.61	10 : 1	C, CN
	3600	215T	LM16031	✓	1799	AF2B10T61	185	230/460	23.6	91.7	1.25	19.70	10 : 1	A, US
	3600	215T	LM15881	C/A	1945	CCF2B10T61	218	230/460	23.6	90.2	1.15	21.48	10 : 1	C, US
	3600	215T	LM60034	✓	1617	CCF2B10T61AP21	181	230/460	23.4	91.5	1.15	19.61	10 : 1	C, CN
	1800	215T	140451.00	✓	1517	C215T17FB18	161	208-230/460	26.6	91.7	1.25	19.70	10 : 1	S, MX
	1800	215T	LM32809	✓	1431	SSF4B10T61	168	230/460	26.0	91.7	1.25	21.48	10 : 1	S, US
	1800	215T	170140.60	✓	1653	C215T17FB43	177	208-230/460	25.0	91.7	1.25	19.61	10 : 1	C, CN
	1800	215T	LM16032	✓	1591	AF4B10T61	160	230/460	26.9	91.7	1.25	18.70	10 : 1	A, US
	1800	215T	LM24213	C/A	1922	CCF4B10T61	213	230/460	25.0	91.7	1.15	20.95	10 : 1	C, US
	1800	215T	LM60035	✓	1570	CCF4B10T61AP21	177	230/460	25.0	91.7	1.15	19.61	10 : 1	C, CN
	1200	256T	170123.60	✓	2930	C256T11FB4	300	208-230/460	29.0	91.7	1.25	24.92	10 : 1	C, CN
	1200	256T	LM15675	✓	3111	AF6B10T61	236	230/460	26.2	91.0	1.25	25.15	10 : 1	A, US
	1200	256T	LM15895	C/A	3342	CCF6B10T61	368	230/460	28.0	91.0	1.15	24.92	10 : 1	C, US
	1200	256T	LM60036	✓	2784	CCF6B10T61AP21	300	230/460	28.0	92.1	1.15	24.92	10 : 1	C, CN
	900	284T	G150282.22	✓	4752	C284T8FB2A	346	208-230/460	26.0	88.8	1.15	26.26	10 : 1	C, CA
15	3600	215T	170615.60	✓	2141	C215T34FB13	200	208-230/460	35.0	92.4	1.15	19.61	10 : 1	C, CN
	3600	254T	170062.60	✓	2313	C254T34FB4	282	208-230/460	35.0	92.4	1.25	23.19	10 : 1	C, CN
	3600	254T	LM15670	✓	2467	AAF2B15T61	215	230/460	35.0	91.7	1.25	23.40	10 : 1	A, US
	3600	254T	LM15890	C/A	2729	CCF2B15T611AP21	384	230/460	34.5	92.4	1.25	23.19	10 : 1	C, US
	3600	254T	LM60037	✓	2198	CCF2B15T61AP21	282	230/460	34.5	92.4	1.25	23.19	10 : 1	C, CN
	1800	254T	170066.60	✓	2238	C254T17FB10	280	208-230/460	36.0	92.4	1.25	23.19	10 : 1	C, CN
	1800	254T	LM15671	✓	2211	AAF4B15T61	209	230/460	37.5	92.4	1.25	23.40	10 : 1	A, US
	1800	254T	LM24208	✓	2500	CCF4B15T61	322	230/460	37.5	92.4	1.25	23.52	10 : 1	C, US
	1800	254T	LM60038	✓	2126	CCF4515T61AP21	280	230/460	36.5	93.4	1.15	23.19	10 : 1	C, CN
	1200	284T	170068.60	✓	3966	C284T11FB4	333	208-230/460	40.6	92.4	1.25	26.26	10 : 1	C, CN
	1200	284T	LM13962	C/A	4166	AF6B15T61Y	363	230/460	47.0	91.7	1.25	26.62	10 : 1	A, US
	1200	284T	LM15793	C/A	4554	CCF6B15T611Y	483	230/460	40.5	91.7	1.15	26.26	10 : 1	C, US
	1200	284T	LM60039	C/A	3767	CCF6B15T61AP21	333	230/460	40.5	92.4	1.25	26.26	10 : 1	C, CN
	900	286T	G150261.22	✓	5614	G150261.22	480	208-230/460	40.0	91.0	1.15	27.83	10 : 1	C, CA
20	3600	256T	170033.60	✓	2828	C256T34FB10	316	208-230/460	46.0	92.4	1.25	24.92	10 : 1	C, CN
	3600	256T	LM15673	✓	2876	AF2B0T61	325	230/460	47.0	92.4	1.25	--	10 : 1	A, US
	3600	256T	LM15893	C/A	3342	CCF2B20T61	385	230/460	46.0	92.4	1.15	24.92	10 : 1	C, US
	3600	256T	LM60040	✓	2685	CCF2B20T61AP21	316	230/460	46.0	92.4	1.15	24.92	10 : 1	C, CN
	1800	256T	170007.60	✓	2800	C256T17FB4	322	208-230/460	49.0	93.0	1.15	24.92	10 : 1	C, CN
	1800	256T	LM15674	✓	2775	AAF4B20T61	295	230/460	48.0	93.0	1.25	25.15	10 : 1	A, US
	1800	256T	LM24207	C/A	3037	CCF4B20T61	368	230/460	48.0	93.6	1.25	25.27	10 : 1	C, US
	1800	256T	LM60041	✓	2660	CCF4B20T61AP21	322	230/460	49.0	93.0	1.15	24.92	10 : 1	C, CN
	1200	286T	170001.60	✓	4960	C286T11FB6	392	208-230/460	54.0	91.7	1.25	27.83	10 : 1	C, CN
	1200	286T	LM13965	✓	4916	AF6B20T61Y	485	230/460	61.0	91.7	1.25	28.12	10 : 1	A, US
	1200	286T	LM15796	C/A	5312	CCF6B20T61Y	515	230/460	53.5	91.7	1.25	27.84	10 : 1	C, US
	1200	286T	LM60042	C/A	4712	CCF6B20T61AP21	392	230/460	53.5	92.4	1.15	27.83	10 : 1	C, CN
	900	324T	G150263.22	C/A	6751	C324T8FB3A	640	208-230/460	54.0	91.0	1.15	29.53	10 : 1	C, CA

Green items are Premium Efficient

♥ Note listing on inside back flap

▼ LM Numbers are Lincoln Models

Continued On Next Page

C/A - Check Availability

Specifications are subject to change without notice

View On-line Technical Information



Single Phase
ODP Motors

Single Phase
TEFC Motors

Single Phase
C Face Motors

Three Phase
ODP Motors

Three Phase
TEFC Motors

Three Phase
C Face Motors

Inverter Duty
Motors

Severe Duty
Motors

Explosion Proof
Motors

Single Phase
ODP Motors

Three Phase Motors Totally Enclosed

General Purpose - Standard,
Epact and Premium Efficient - Three Phase Motors

Three Phase - Totally Enclosed - Rigid Base

HP	SYN RPM 60 Hz	NEMA Frame	▼ Catalog Number	Stock	List Price	Model Number	App. Wgt. (lbs)	Voltage	F. L. Amps @ 230 V	% F.L. Eff.	Service Factor	"C" Dim. (Inches)	Inverter speed range	♥ Notes
25	3600	284TS	170035.60	√	3677	C284T34FB5	383	208-230/460	56.8	93.0	1.25	24.88	10 : 1	C, CN
	3600	284TS	LM13960	√	4367	AF2B25TS61Y	385	230/460	56.0	92.4	1.25	25.25	10 : 1	A, US
	3600	284T	LM32811	C/A	4367	AF2B25T61Y	433	230/460	56.0	92.4	1.25	26.62	10 : 1	A, US
	3600	284TS	LM15791	C/A	4148	CCF2B25TS61Y	461	230/460	56.0	93.6	1.15	24.97	10 : 1	C, US
	3600	284TS	LM60043	√	3493	CCF2B25T61AP21	383	230/460	56.5	93.0	1.15	24.86	10 : 1	C, CN
1800	284T	170011.60	√	3473	C284T17FB5	385	208-230/460	59.0	93.6	1.25	26.26	10 : 1	C, CN	
	284T	LM13961	√	3713	AF4B25T61Y	495	230/460	64.0	93.6	1.25	26.62	10 : 1	A, US	
	284TS	LM32812	C/A	3713	AF4B25TS61Y	363	230/460	64.0	93.6	1.25	25.24	10 : 1	A, US	
	284T	LM15792	C/A	3795	CCF4B25T61Y	495	230/460	62.0	93.6	1.25	26.34	10 : 1	C, US	
	284T	LM60044	√	3299	CCF4B25T61AP21	385	230/460	58.0	93.6	1.15	26.26	10 : 1	C, CN	
1200	324T	170003.60	√	5804	C324T11FB3	545	208-230/460	66.0	93.0	1.25	29.53	10 : 1	C, CN	
	324T	LM13696	C/A	6864	SF6B25T61Y	519	230/460	64.0	92.4	1.25	28.50	10 : 1	S, US	
	324T	LM19747	C/A	6638	CCF6B25T61Y	637	230/460	65.0	93.0	1.15	28.87	10 : 1	C, US	
	324T	LM60045	√	5513	CCF6B25T61AP21	545	230/460	66.0	93.6	1.15	29.53	10 : 1	C, CN	
900	326T	G150265.22	C/A	7872	C326T8FB2A	700	208-230/460	63.0	90.2	1.15	31.02	10 : 1	C, CA	
30	286TS	170037.60	√	4341	C286T34FB4	385	208-230/460	67.0	93.0	1.25	26.46	10 : 1	C, CN	
	286TS	LM13963	√	4766	AF2B30TS61Y	602	230/460	66.0	92.4	1.25	26.75	10 : 1	A, US	
	286T	LM32813	√	4766	AF2B30T61Y	438	230/460	66.0	92.4	1.25	28.12	10 : 1	A, US	
	286TS	LM15794	C/A	4909	CCF2B30TS61Y	496	230/460	70.0	93.0	1.25	26.47	10 : 1	C, US	
	286TS	LM60046	√	4124	CCF2B30TS61AP21	385	230/460	69.0	94.1	1.15	26.36	10 : 1	C, CN	
	1800	286T	170015.60	√	4046	C286T17FB5	432	208-230/460	70.0	94.1	1.25	27.83	10 : 1	C, CN
	1800	286T	LM13964	√	4263	AF4B30T61Y	426	230/460	75.0	93.6	1.25	28.12	10 : 1	A, US
	1800	286TS	LM32814	C/A	4263	AF4B30TS61Y	408	230/460	75.0	93.6	1.25	26.75	10 : 1	A, US
	1800	286T	LM15795	C/A	4479	CCF4B30T61Y	519	230/460	73.0	94.1	1.15	27.84	10 : 1	C, US
	1800	286T	LM60047	√	3844	CCF4B0T161AP21	432	230/460	70.0	93.6	1.15	27.83	10 : 1	C, CN
	1200	326T	170005.60	√	6514	C326T11FB3	615	208-230/460	77.0	93.6	1.25	31.02	10 : 1	C, CN
	1200	326T	LM13697	C/A	6901	SF6B30T61Y	558	230/460	76.0	93.0	1.25	30.00	10 : 1	S, US
	1200	326T	LM19748	0	7535	CCF6B30T61Y	689	230/460	77.0	93.0	1.15	31.00	10 : 1	C, US
1200	326T	LM60048	√	6188	CCF6B30T61AP21	615	230/460	77.0	93.6	1.25	31.02	10 : 1	C, CN	

Green items are Premium Efficient

▼ LM Numbers are Lincoln Models

C/A - Check Availability

Specifications are subject to change without notice

♥ Note listing on inside back flap

Continued On Next Page

Inverter Duty
MotorsSevere Duty
MotorsExplosion Proof
Motors

View On-line Technical Information



Three Phase Motors Totally Enclosed

General Purpose - Standard, Epack and Premium Efficient - Three Phase Motors

Three Phase - Totally Enclosed - Rigid Base

HP	SYN RPM 60 Hz	NEMA Frame	▼ Catalog Number	Stock	List Price	Model Number	App. Wgt. (lbs)	Voltage	F. L. Amps @ 230 V	% F.L. Eff.	Service Factor	"C" Dim. (Inches)	Inverter speed range	♥ Notes
40	3600	324TS	170039.60	✓	5414	C324T34FB3	504	208-230/460	89.0	93.6	1.25	28.03	10 : 1	C, CN
		324TS	LM13698	C/A	7036	SF2B40TS61Y	504	230/460	88.0	93.6	1.25	27.00	10 : 1	S, US
		324T	LM32671	C/A	7036	SF2B40T61Y	535	230/460	88.0	93.6	1.25	28.50	10 : 1	S, US
		324TS	LM19749	C/A	6262	CCF2B40TS61Y	664	230/460	94.0	93.6	1.15	27.37	10 : 1	C, US
		324TS	LM60049	✓	5144	CCF2B40TS61AP21	504	230/460	90.0	93.6	1.15	38.03	10 : 1	C, CN
	1800	324T	170019.60	✓	5375	C324T17FB5	528	230/460	92.0	94.1	1.25	29.53	10 : 1	C, CN
		324T	LM13699	✓	7490	SF4B40T61Y	504	230/460	101.0	94.1	1.25	28.50	10 : 1	S, US
		324TS	LM32686	✓	7490	SF4B40TS61Y	504	230/460	101.0	94.1	1.25	27.00	10 : 1	S, US
		324T	LM19750	✓	5766	CCF4B40T61Y	602	230/460	95.0	94.1	1.15	30.37	10 : 1	C, US
		324T	LM60050	✓	5106	CCF4B40T61AP21	528	230/460	92.0	94.1	1.15	29.53	10 : 1	C, CN
	1200	364T	170096.60	✓	8930	C364T11FB4	636	208-230/460	102.0	94.1	1.15	32.64	10 : 1	C, CN
		364T	LM13918	✓	9359	SF6B40T61Y	765	230/460	112.0	93.6	1.25	31.90	10 : 1	S, US
		364T	LM19751	C/A	9709	CCF6B40T61Y	835	230/460	101.0	94.1	1.15	32.00	10 : 1	C, US
		364T	LM60051	✓	8484	CCF6B40T61AP21	636	230/460	101.0	94.1	1.15	32.00	10 : 1	C, CN
		50	3600	326TS	170041.60	✓	6575	C326T34FB4	554	208-230/460	111.0	94.5	1.25	29.53
326TS	LM13700			C/A	7346	SF2B50TS61Y	558	230/460	111.0	94.1	1.25	28.50	10 : 1	S, US
326T	LM32669			C/A	7346	SF2B50T61Y	558	230/460	111.0	94.1	1.25	30.00	10 : 1	S, US
326TS	LM19752			C/A	8045	CCF2B50TS61Y	732	230/460	111.0	93.0	1.15	28.50	10 : 1	C, US
326TS	LM60052			✓	6247	CCF2B50TS61AP21	554	230/460	112.0	94.1	1.15	29.53	10 : 1	C, CN
1800	326T		170023.60	✓	6492	C326T17FB7	587	208-230/460	117.0	94.5	1.25	31.02	10 : 1	C, CN
	326T		LM13701	✓	7012	SF4B50T61Y	585	230/460	127.0	94.5	1.25	36.00	10 : 1	S, US
	326TS		LM32815	0	7012	SF4B50TS61Y	558	230/460	127.0	94.5	1.25	34.50	10 : 1	S, US
	326T		LM19753	C/A	7200	CCF4B50T61Y	744	230/460	120.0	94.5	1.15	30.37	10 : 1	C, US
	326T		LM60053	✓	6167	CCF4B50T61AP21	587	230/460	117.0	94.5	1.15	31.02	10 : 1	C, CN
1200	365T		170097.60	✓	10717	C365T11FB5	672	208-230/460	124.0	94.1	1.15	33.62	10 : 1	C, CN
	365T		LM13921	C/A	10118	SF6B50T61Y	822	230/460	138.0	94.1	1.25	32.90	10 : 1	S, US
	365T		LM19754	C/A	11476	CCF6B50T61Y	955	230/460	123.0	94.5	1.25	32.50	10 : 1	C, US
	365T		LM60054	✓	10181	CCF6B50T61AP21	672	230/460	126.0	94.1	1.15	32.50	10 : 1	C, CN
	60		3600	364TS	170043.60	✓	9754	C364T34FB3	735	208-230/460	136.0	94.1	1.15	30.51
364TS		LM14808		C/A	10683	SF2B60TS61Y	765	230/460	132.0	94.5	1.25	29.77	10 : 1	S, US
364T		LM32816		C/A	10683	SF2B60T61Y	765	230/460	132.0	94.5	1.25	31.90	10 : 1	S, US
364TS		LM19755		C/A	10360	CCF2B60TS61Y	918	230/460	134.0	93.6	1.15	31.90	10 : 1	C, US
364TS		LM60055		✓	9265	CCF2B60TS61AP21	735	230/460	134.0	94.1	1.15	31.90	10 : 1	C, CN
1800		364T	170027.60	✓	9234	C364T17FB6	666	208-230/460	137.0	95.4	1.15	32.64	10 : 1	C, CN
		364T	LM14809	✓	9856	SF4B60T61Y	765	230/460	144.0	95.0	1.25	31.90	10 : 1	S, US
		364TS	LM32676	C/A	9856	SF4B60TS61Y	765	230/460	145.0	95.0	1.25	29.77	10 : 1	S, US
		364T	LM19756	C/A	10550	CCF4B60T61Y	980	230/460	140.0	95.0	1.15	31.50	10 : 1	C, US
		364T	LM60056	✓	8772	CCF4B60T61AP21	666	230/460	139.0	95.4	1.15	31.50	10 : 1	C, CN
1200		404T	170098.60	✓	12641	C404T11FB3	870	208-230/460	142.0	94.5	1.25	36.42	10 : 1	C, CN
		404T	LM13938	C/A	11890	SF6B60T61Y	918	230/460	171.0	94.5	1.15	36.90	2 : 1	S, US
		404T	LM19757	C/A	10591	CCF6B60T61Y	1156	230/460	142.0	94.5	1.15	36.42	2 : 1	C, US
		404T	LM60057	✓	12009	CCF6B60T61AP21	870	230/460	142.0	95.0	1.15	36.42	10 : 1	C, CN

Green items are Premium Efficient

♥ Note listing on inside back flap

▼ LM Numbers are Lincoln Models

Continued On Next Page

C/A - Check Availability

Specifications are subject to change without notice

View On-line Technical Information



Single Phase
ODP Motors

Single Phase
TEFC Motors

Single Phase
C Face Motors

Three Phase
ODP Motors

Three Phase
TEFC Motors

Three Phase
C Face Motors

Inverter Duty
Motors

Severe Duty
Motors

Explosion Proof
Motors

Single Phase
ODP MotorsSingle Phase
TEFC MotorsSingle Phase
C Face MotorsThree Phase
ODP MotorsThree Phase
TEFC MotorsThree Phase
C Face MotorsInverter Duty
MotorsSevere Duty
MotorsExplosion Proof
Motors

Three Phase Motors Totally Enclosed

General Purpose - Standard,
Epack and Premium Efficient - Three Phase Motors

Three Phase - Totally Enclosed - Rigid Base

HP	SYN RPM 60 Hz	NEMA Frame	▼ Catalog Number	Stock	List Price	Model Number	App. Wgt. (lbs)	Voltage	F. L. Amps @ 460V	% F.L. Eff.	Service Factor	"C" Dim. (Inches)	Inverter speed range	♥ Notes
75	3600	365TS	170045.60	✓	11947	C365T34FB3	780	208-230/460	169.0*	94.5	1.15	31.50	10 : 1	C, CN
	3600	365TS	LM14810	C/A	11592	SF2B75TS61Y	822	230/460	164.0*	95.0	1.25	30.77	2 : 1	S, US
	3600	365T	LM32729	C/A	11592	SF2B75T61Y	822	230/460	164.0*	95.0	1.25	32.90	2 : 1	S, US
	3600	365TS	LM19758	C/A	13128	CCF2B75TS61Y	1001	230/460	167.0*	93.6	1.15	31.50	2 : 1	C, US
	3600	365TS	LM60058	✓	11350	CCF2B75TS61AP21	780	230/460	167.0*	94.5	1.15	31.50	10 : 1	C, CN
1800	365T	170031.60	✓	11523	C365T17FB4	733	208-230/460	171.0*	95.8	1.15	33.62	2 : 1	C, CN	
	365T	LM14811	✓	11295	SF4B75T61Y	822	230/460	178.0*	95.4	1.15	32.90	2 : 1	S, US	
	365TS	LM32672	✓	11295	SF4B75TS61Y	822	230/460	178.0*	95.4	1.25	30.77	2 : 1	S, US	
	365T	LM19759	C/A	12598	CCF4B75T61Y	1018	230/460	171.0*	95.4	1.15	33.62	2 : 1	C, US	
	365T	LM60059	✓	10947	CCF4B75T61AP21	733	230/460	171.0*	95.8	1.15	33.62	10 : 1	C, CN	
1200	405T	170099.60	✓	13324	C405T11FB5	975	208-230/460	176.0*	95.0	1.25	37.91	10 : 1	C, CN	
	405T	LM13941	C/A	15433	SF6B75T61Y	1002	230/460	210.0*	94.5	1.15	38.40	2 : 1	S, US	
	405T	LM19760	C/A	16421	CCF6B75T61Y	1280	230/460	176.0*	94.5	1.15	37.91	2 : 1	C, US	
	405T	LM60060	C/A	12657	CCF6B75T61AP21	975	230/460	176.0*	95.0	1.15	37.91	10 : 1	C, CN	
	100	3600	405TS	170160.60	✓	14711	C449T11FB1AA	955	208-230/460	218.0*	95.0	1.25	34.92	10 : 1
3600		405TS	LM13939	C/A	16494	SF2B100TS61Y	1002	230/460	210.0*	94.5	1.15	35.40	2 : 1	S, US
3600		405T	LM32818	C/A	16494	SF2B100T61Y	1002	230/460	210.0*	94.5	1.15	38.40	2 : 1	S, US
3600		405TS	LM60061	✓	13975	CCF2B100TS61AP21	955	230/460	218.0*	95.0	1.15	34.92	10 : 1	C, CN
1800		405T	170087.60	✓	14329	C405T17FB4	1070	208-230/460	225.0*	95.4	1.15	37.91	10 : 1	C, CN
1800	405T	LM13940	✓	13646	SF4B100T61Y	1052	230/460	244.0*	95.4	1.15	38.40	2 : 1	S, US	
	405TS	LM32819	✓	13646	SF4B100TS61Y	1052	230/460	244.0*	95.4	1.15	35.40	2 : 1	S, US	
	405T	LM19762	✓	15937	CCF4B100T61Y	1338	230/460	226.0*	95.4	1.15	37.14	2 : 1	C, US	
	405T	LM60062	✓	13613	CCF4B100T61AP21	1070	230/460	226.0*	95.4	1.15	37.91	10 : 1	C, CN	
	1200	444T	170256.60	✓	18967	C444T11FB6	1457	460	121.0	95.0	1.25	42.87	10 : 1	C, CN
1200	444T	LM13702	C/A	19723	SF6B100T64Y	1351	460	136.0	95.0	1.15	41.58	2 : 1	S, US	
	444T	LM60063	✓	18019	CCF6B100T64AP21	1457	460	121.0	95.0	1.15	40.50	10 : 1	C, CN	
	3600	444TS	171580.60	✓	17565	C444T34FB8	1316	460	132.0	95.0	1.25	39.10	10 : 1	C, CN
	3600	444TS	LM13703	C/A	21148	SF2B125TS64Y	1351	460	133.0	95.0	1.15	37.49	2 : 1	S, US
	3600	444TS	LM60064	✓	16687	CCF2B125TS64AP21	1950	460	136.0	95.4	1.25	37.00	10 : 1	C, CN
1800	444T	170369.60	✓	19025	C444T17FB5	1950	460	137.0	95.4	1.25	42.87	10 : 1	C, CN	
	444T	LM13704	✓	18241	SF4B125T64Y	1351	460	146.0	96.2	1.15	41.58	2 : 1	S, US	
	444TS	LM32820	C/A	18241	SF4B125TS64Y	1351	460	146.0	96.2	1.15	37.83	2 : 1	S, US	
	444T	LM19765	C/A	20338	CCF4B125T64Y	1874	460	138.0	95.4	1.15	42.87	10 : 1	C, US	
	444T	L60065	✓	18074	CCF4B125T64AP21	1950	460	137	95.4	1.15	42.87	10 : 1	C, CN	
1200	445T	170260.60	✓	21431	C445T11FB5	1596	460	155.0	95.4	1.25	44.88	10 : 1	C, CN	
	445T	LM13705	C/A	23932	SF6B125T64Y	1531	460	168.0	94.5	1.15	43.58	2 : 1	S, US	
	445T	LM60066	✓	20359	CCF6B125T64AP21	1316	460	160.0	95.5	1.15	43.00	10 : 1	C, CN	

Green items are Premium Efficient

♥ Note listing on inside back flap

* F.L. Amps at 230V

Continued On Next Page

▼ LM Numbers are Lincoln Models

C/A - Check Availability

Specifications are subject to change without notice



View On-line Technical Information



Three Phase Motors Totally Enclosed

General Purpose - Standard, Epack and Premium Efficient - Three Phase Motors

Three Phase - Totally Enclosed - Rigid Base

HP	SYN RPM 60 Hz	NEMA Frame	▼ Catalog Number	Stock	List Price	Model Number	App. Wgt. (lbs)	Voltage	F. L. Amps @ 460 V	% F.L. Eff.	Service Factor	"C" Dim. (Inches)	Inverter speed range	♥Notes	
150	3600	445TS	171578.60	√	21679	C445T34FB3	1445	460	161.0	95.0	1.15	44.88	10 : 1	C, CN	
		445TS	LM13706	C/A	26176	SF2B150TS64Y	1531	460	163.0	95.8	1.15	39.49	2 : 1	S, US	
		445TS	LM60067	√	20595	CCF2B150T64AP21	1627	460	163.0	95.0	1.15	39.49	10 : 1	C, CN	
	1800	445T	170371.60	√	21767	C445T17FB8	1627	460	163.0	95.8	1.15	44.88	10 : 1	C, CN	
		445T	LM13707	√	21158	SF4B150T64Y	1531	460	168.0	96.2	1.15	43.58	2 : 1	S, US	
		445TS	LM32679	C/A	21158	SF4B150TS64Y	1504	460	168.0	96.2	1.15	39.49	2 : 1	S, US	
		445T	LM19768	C/A	23781	CCF4B150T64Y	2070	460	164.0	95.8	1.15	43.00	2 : 1	C, US	
		445T	LM60068	√	20678	CCF4B150T64AP21	2230	460	164.0	95.8	1.15	43.00	10 : 1	C, CN	
		447T	171315.60	√	24166	C447T11FB1	2230	460	185.0	95.8	1.25	48.00	10 : 1	C, CN	
	1200	447T	LM16231	C/A	29450	SF6B150T64Y	1812	460	196.0	95.8	1.15	47.08	2 : 1	S, US	
		447T	LM60069	√	22958	CCF6B150T64AP21	1445	460	186.0	96.2	1.15	46.50	10 : 1	C, CN	
		447TS	171579.60	√	24969	C447T34FB3	1977	460	216.0	95.4	1.25	48.00	10 : 1	C, CN	
	200	3600	447TS	LM16229	C/A	34830	SF2B200TS64Y	1812	460	211.0	95.4	1.15	39.49	2 : 1	S, US
			445TS	LM13709	C/A	33170	SF2B200TS64Y	1531	460	211.0	95.4	1.15	39.49	2 : 1	S, US
			447T	LM60070	√	23720	CCF2B200T64AP21	2227	460	216.0	95.4	1.15	51.00	10 : 1	C, CN
		1800	447T	170352.60	√	24930	C447T17FB8	2227	460	216.0	96.2	1.15	48.00	10 : 1	C, CN
			447T	LM16230	C/A	28985	SF4B200T64Y	1812	460	227.0	96.2	1.15	43.58	2 : 1	S, US
			445T	LM13710	√	26167	SF4B200T64Y	1531	460	227.0	95.0	1.15	43.58	2 : 1	S, US
445TS			LM32821	C/A	26167	SF4B200TS64Y	1504	460	227.0	96.2	1.15	39.83	2 : 1	S, US	
445T			LM60071	√	23684	CCF4B200T64AP21	2542	460	219.0	96.2	1.15	43.00	10 : 1	C, CN	
449T			171316.60	√	31653	C449T11FB1	2542	460	241.0	96.2	1.25	52.80	10 : 1	C, CN	
1200		447T	LM13711	C/A	32055	SF6B200T64Y	1812	460	260.0	95.8	1.15	52.08	2 : 1	S, US	
		447/9T	LM60072	√	30070	CCF6B200T64AP21	1977	460	241.0	96.8	1.15	48.00	10 : 1	C, CN	
		449TS	LM16232	C/A	42075	SF2B250TS64Y	2185	460	264.0	96.5	1.15	42.99	2 : 1	S, US	
250	3600	447TS	LM13712	C/A	40073	SF2B250TS64Y	1812	460	264.0	95.8	1.15	42.99	2 : 1	S, US	
		449TS	LM16222	C/A	33318	SF2P250TS64Y	2185	460	263.0	95.8	1.15	47.99	2 : 1	S, US	
		4447TS	LM13556	C/A	31733	SF2P250TS64Y	1812	460	263.0	95.4	1.15	42.99	2 : 1	S, US	
	1800	449TS	LM19571	C/A	35921	CCF2P250TS64Y	2685	460	264.0	95.4	1.15	48.00	2 : 1	C, US	
		449T	G151516.60	√	26952	C449T17FB3	2425	460	274.0	95.0	1.15	52.80	2 : 1	C, CN	
		449T	LM16233	C/A	34594	SF4B250T64Y	2185	460	278.0	96.5	1.15	52.00	2 : 1	S, US	
		447T	LM13713	C/A	32944	SF4B250T64Y	1812	460	282.0	95.4	1.15	47.08	2 : 1	S, US	
		449T	LM16223	C/A	28644	SF4P250T64Y	2185	460	278.0	95.0	1.15	52.08	2 : 1	S, US	
		447T	LM13557	√	27278	SF4P250T64Y	1812	460	283.0	95.0	1.15	47.08	2 : 1	S, US	
	1800	447TS	LM14751	C/A	27278	SF4P250TS64Y	1812	460	283.0	95.0	1.15	42.99	2 : 1	S, US	
		449T	LM19572	C/A	29525	CCF4P250T64Y	2760	460	290.0	95.0	1.15	51.86	2 : 1	C, US	
		449T	LM30826	C/A	35921	CCF6P250T64Y	3408	460	300.0	95.4	1.15	51.86	2 : 1	C, US	

Green items are Premium Efficient

▼ LM Numbers are Lincoln Models

C/A - Check Availability

Specifications are subject to change without notice

♥ Note listing on inside back flap

Continued On Next Page

View On-line Technical Information



Single Phase
ODP Motors

Single Phase
TEFC Motors

Single Phase
C Face Motors

Three Phase
ODP Motors

Three Phase
TEFC Motors

Three Phase
C Face Motors

Inverter Duty
Motors

Severe Duty
Motors

Explosion Proof
Motors

Single Phase
ODP Motors

Three Phase Motors Totally Enclosed

General Purpose - Standard,
Epack and Premium Efficient - Three Phase Motors

Single Phase
TEFC MotorsSingle Phase
C Face MotorsThree Phase
ODP MotorsThree Phase
TEFC MotorsThree Phase
C Face MotorsInverter Duty
MotorsSevere Duty
MotorsExplosion Proof
Motors

Three Phase - Totally Enclosed - Rigid Base

HP	SYN RPM 60 Hz	NEMA Frame	▼ Catalog Number	Stock	List Price	Model Number	App. Wgt. (lbs)	Voltage	F. L. Amps @ 460 V	% F.L. Eff.	Service Factor	"C" Dim. (Inches)	Inverter speed range	♥Notes	
300	3600	449TS	LM13715	C/A	49885	SF2B300TS64Y	2185	460	314.0	95.8	1.15	47.99	2 : 1	S, US	
		449TS	LM13559	C/A	38784	SF2P300TS64Y	2185	460	315.0	95.4	1.15	47.99	2 : 1	S, US	
		449TS	LM19574	C/A	43907	CCF2P300TS64Y	2850	460	327.0	95.4	1.15	52.80	2 : 1	C, US	
	1800	449T	G151529.60	√	30313	C449T17FB9	2558	460	327.0	95.4	1.15	52.80	2 : 1	C, CN	
		449T	LM17956	C/A	36064	SF4B300T64Y	2185	460	337.0	96.2	1.15	52.08	2 : 1	S, US	
		447T	LM13716	C/A	36064	SF4B300T64Y	2185	460	352.0	95.8	1.15	47.08	2 : 1	S, US	
	1800	447T	LM17953	√	28519	SF4P300T64Y	1812	460	338.0	95.4	1.15	52.08	2 : 1	S, US	
		449T	LM18347	C/A	28519	SF4P300TS64Y	2185	460	338.0	95.0	1.15	47.99	2 : 1	S, US	
		449TS	LM13560	√	28519	SF4P300T64Y	2185	460	353.0	95.4	1.00	47.08	2 : 1	S, US	
447T		LM18319	C/A	28519	SF4P300TS64Y	1812	460	353.0	95.4	1.00	42.99	2 : 1	S, US		
449T		LM19575	C/A	31639	CCF4P300T64Y	2980	460	360.0	95.0	1.00	51.88	2 : 1	C, US		
350		3600	449TS	LM13719	C/A	54320	SFB350TS64Y	2185	460	370.0	95.8	1.15	47.99	2 : 1	S, US
	449TS		LM13562	C/A	43013	SF2350TS64Y	2185	460	367.0	95.4	1.00	47.99	2 : 1	S, US	
	449TS		LM19577	C/A	48695	CCF2P350TS64Y	3050	460	380.0	95.4	1.15	48.09	2 : 1	C, US	
	1800	449T	G151530.60	√	31586	C449T17FB10	2710	460	402.0	95.4	1.15	52.80	2 : 1	C, CN	
		449T	LM13720	C/A	44525	SF4B350T64Y	2185	460	403.0	95.8	1.15	52.08	2 : 1	S, US	
		449T	LM13563	C/A	29538	SF4P350T64Y	2185	460	395.0	95.4	1.15	52.08	2 : 1	S, US	
	1800	449T	LM19578	C/A	35023	CCF4P350T64Y	3218	460	402.0	95.4	1.15	52.80	2 : 1	C, US	
	400	3600	449TS	LM13721	C/A	66339	SF2B400TS64Y	2185	460	420.0	95.4	1.00	47.99	2 : 1	S, US
			449TS	LM13564	C/A	52538	SF2P400TS64Y	2185	460	424.0	94.1	1.00	47.99	2 : 1	S, US
1800		449T	LM13722	C/A	51201	SF4B400T64Y	2185	460	449.0	96.2	1.15	52.00	2 : 1	S, US	
449T		LM13565	C/A	39066	SF4P400T64Y	2185	460	447.0	95.4	1.00	52.08	2 : 1	S, US		
1800		449T	LM19580	C/A	44661	CCF4P400T64Y	3263	460	469.0	95.8	1.00	51.86	2 : 1	C, US	

Green items are Premium Efficient

♥ Note listing on inside back flap

▼ LM Numbers are Lincoln Models

C/A - Check Availability

Specifications are subject to change without notice



View On-line Technical Information



Three Phase Motors Totally Enclosed

Resilient Base Motors - Three Phase General Purpose or Fan & Blower Service

Features:

- Industrial duty designs
- Suitable for belt driven or fan-on-shaft applications
- Ball bearings



Three Phase - TEFC - Resilient Base

HP	SYN RPM 60 Hz	NEMA Frame	Catalog Number	Stock	List Price	Model Number	App. Wgt. (lbs)	Voltage	F. L. Amps @ 230 V	% F.L. Eff.	Service Factor	"C" Dim. (Inches)	Inverter speed range	♥Notes
1/2	1800	56	111917.00	√	501	C6T17NR1	25	208-230/460	1.8	78.5	1.15	11.31	2 : 1	S, US, 6, 12
1	1800	56	111918.00	√	564	C6T17FR1	29	208-230/460	3.8	77	1.15	12.46	2 : 1	S, US, 6, 13

Specifications are subject to change without notice

♥ Note listing on inside back flap

Single Phase
ODP Motors

Single Phase
TEFC Motors

Single Phase
C Face Motors

Three Phase
ODP Motors

Three Phase
TEFC Motors

Three Phase
C Face Motors

Inverter Duty
Motors

Severe Duty
Motors

Explosion Proof
Motors

View On-line Technical Information



Three Phase Motors Totally Enclosed Compressor Duty

General Specifications:

Motors designed for air compressor, pump, and fan and blower duty applications which require high breakdown torque and rugged mechanical construction.



Mechanical Features:

- Double shielded ball bearings
- Designed for belted loads
- Class F insulation

Three Phase - TEFC - Rigid Base

HP	SYN RPM 60 Hz	NEMA Frame	▼ Catalog Number	Stock	List Price	Model Number	App. Wgt. (lbs)	Voltage	F. L. Amps @ 230 V	% F.L. Eff.	Service Factor	"C" Dim. (Inches)	Inverter speed range	♥ Notes
3	1800	182T	131463.00	√	888	C182T17FB32	80	208-230/460	7.8	89.5	1.15	14.96	10 : 1	S, MX
		182T	LM32741	√	1,261	SSF4B3T61	77	208-230/460	7.8	89.5	1.15	13.96	10 : 1	S, MX
5	1800	182T	131464.00	√	976	C184T17FB42	94	208-230/460	12.8	89.5	1.15	15.96	10 : 1	S, MX
		182T	LM33266	√	976	SSF4B5T61	85	208-230/460	12.6	89.5	1.15	14.96	10 : 1	S, MX
7 1/2	1800	213T	140450.00	√	1,254	C213T17FB6	144	208-230/460	21.4	91.7	1.25	18.70	10 : 1	S, MX
		213T	LM32805	√	1,158	SSF4B7.5T6	115	208-230/460	19.4	91.7	1.25	20.23	10 : 1	S, US
10	1800	215T	140451.00	√	1,517	C215T17FB18	161	208-230/460	26.6	91.7	1.25	19.70	10 : 1	S, MX
		215T	LM32809	√	1,431	SSF4B10T6	135	208-230/460	26.0	91.7	1.25	21.48	10 : 1	S, US
15	1800	254T	170066.60	√	2,238	C254T17FB10	280	208-230/460	36.0	92.4	1.25	23.19	10 : 1	C, CN
		254T	LM24208	√	2,500	CCF4B15T6	322	208-230/460	37.5	92.4	1.25	25.27	10 : 1	C, US
20	1800	256T	170007.60	√	2,800	C256T17FB4	322	208-230/460	49.0	93.0	1.15	24.92	10 : 1	C, CN
		256T	LM24207	C/A	3,037	CCF4B20T61	368	208-230/460	48.0	93.0	1.15	25.27	10 : 1	C, US

Green items are Premium Efficient

♥ Note listing on inside back flap

▼ LM Numbers are Lincoln Models

C/A - Check Availability

Specifications are subject to change without notice

Three Phase Motors Totally Enclosed TENV Motors - Three Phase - Rigid Base



Three Phase - TENV - Rigid Base

HP	SYN RPM 60 Hz	NEMA Frame	Catalog Number	Stock	List Price	Model Number	App. Wgt. (lbs)	Voltage	F. L. Amps @ 230 V	% F.L. Eff.	Service Factor	"C" Dim. (Inches)	Inverter speed range	♥ Notes
1/6	3600	42	092014.00	√	405	C42T34NB2	13	208-230/460	0.7	65.0	1.0	7.56	100 : 1	S, US
	1800	42	092015.00	√	449	C42T17NB1	14	208-230/460	0.9	61.0	1.0	7.81	100 : 1	S, US
1/4	3600	42	092016.00	√	428	C42T34NB3	15	208-230/460	0.9	62.0	1.0	8.06	100 : 1	S, US
	1800	48	100123.00	√	341	C4T17NB3	16	208-230/460	1.0	78.0	1.15	9.18	100 : 1	S, MX
	1800	S56	101649.00	√	341	C4T17NH8	16	208-230/460	1.0	78.0	1.15	9.56	100 : 1	S, MX
1/3	3600	48	101013.00	√	322	C4T34NB3	17	208-230/460	1.2	72.0	1.15	9.06	100 : 1	S, US
	1800	48	100443.00	√	378	C4T17NB5	19	208-230/460	1.4	78.0	1.15	9.56	100 : 1	S, MX
	1800	S56	102920.00	√	376	C4T17NH13	20	208-230/460	1.3	77.0	1.15	9.56	100 : 1	S, MX
1/2	3600	56	110143.00	√	373	C6T34NB1	25	208-230/460	1.5	67.0	1.15	10.38	100 : 1	S, US
	1800	S56	102918.00	√	439	C4T17NH12	21	208-230/460	1.8	77.0	1.15	10.06	100 : 1	S, MX
3/4	1800	56	114309.00	√	477	C6T17NB53	30	208-230/460	2.5	80.0	1.15	10.89	100 : 1	S, US
1	1800	143T	121098.00	√	547	C143T17NB6	35	208-230/460	3.2	80.0	1.15	11.83	100 : 1	S, US
1 1/2	1800	145T	121099.00	√	572	C145T17NB9	47	208-230/460	4.2	80.0	1.15	13.33	100 : 1	S, US

Specifications are subject to change without notice

♥ Note listing on inside back flap

View On-line Technical Information



Single Phase
ODP Motors

Single Phase
TEFC Motors

Single Phase
C Face Motors

Three Phase
ODP Motors

Three Phase
TEFC Motors

Three Phase
C Face Motors

Inverter Duty
Motors

Severe Duty
Motors

Explosion Proof
Motors

Three Phase Motors Totally Enclosed

F2 Conduit Box Mount Motors - TEFC - Three Phase

General Purpose Applications



Three Phase - TEFC - Rigid Base

HP	SYN RPM 60 Hz	NEMA Frame	Catalog Number	Stock	List Price	Model Number	App. Wgt. (lbs)	Voltage	F. L. Amps @ 230 V	% F.L. Eff.	Service Factor	"C" Dim. (Inches)	Inverter speed range	♥Notes
3	1800	182T	132237.00	√	888	C182T17FB50	80	208-230/460	7.8	89.5	1.15	14.96	10 : 1	S, MX
5	1800	184T	132236.00	√	976	C184T17FB62	94	208-230/460	12.8	89.5	1.15	15.96	10 : 1	S, MX
7 1/2	1800	213T	140832.00	C/A	1,254	C213T17FB18	154	208-230/460	21.4	91.7	1.25	18.7	10 : 1	S, MX

Green items are Premium Efficient

♥ Note listing on inside back flap

Note: For larger F2 mount motors, G150 & 170 Series cast iron motors may be converted to F2 by reassembly.
Contact factory for F2 mounting for Lincoln Brand motors

C/A - Check Availability

Specifications are subject to change without notice



View On-line Technical Information

Three Phase Motors Totally Enclosed

SUB-FHP MOTORS - Inverter Rated - Three Phase

Features:

- Designed with the exclusive inverter rated insulation system (IRIS)
- Provides superior protection against voltage spikes induced by variable frequency drives
- Double shielded motor ball bearings
- Needle bearings in the parallel shaft gearboxes
- Ball bearings in the Right angle (worm) gearboxes
- Steel conduit box provided as standard
- Finished in high gloss hardened black enamel paint

Application Notes:

- Designed with high temperature insulation (Class F) to prevent overheating when operated with a PWM inverter down to a 10:1 speed range from the printed gearmotor RPM
- These gearmotors are designed for mounting at any angle, but motor below the reducer should be avoided to prevent leakage of lubricant into the motor should the motor shaft seal fail
- Overhung load capacities shown are at center of output shaft
- For additional information, see Bulletin 1830

Three Phase - 230 Volt - Totally Enclosed

HP	SYN RPM 60 Hz	NEMA Frame	Catalog Number	Stock	List Price	Model Number	App. Wgt. (lbs)	Voltage	F. L. Amps @ 230	♥Notes
1/15	1725	38	M1140171.00	√	340	CM38T17NK1	7	230	0.4	S, US, 12
1/6	1725	38	M1140173.00	C/A	367	CM38T17NK2	8	230	0.72	S, US, 12
1/4	1725	38	M1140172.00	√	394	CM38T17FK3	9	230	1.1	S, US, 12

C/A - Check Availability

♥ Note listing on inside back flap

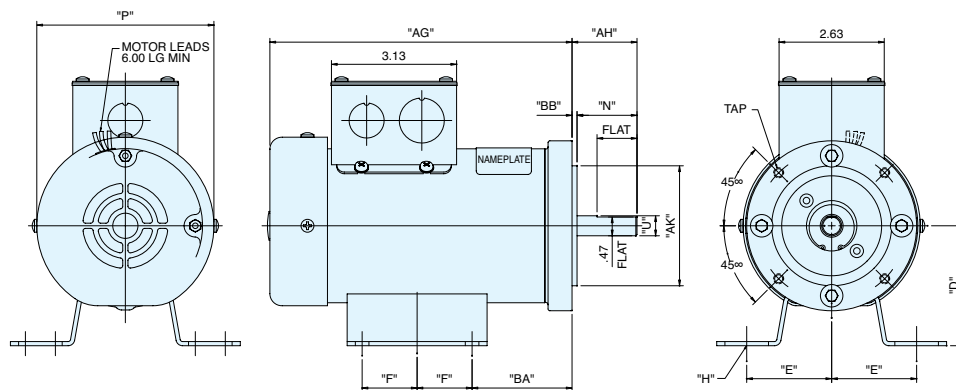
Specifications are subject to change without notice

38 Frame NEMA C-Face With Base Dimensions

Catalog Number	AG	P	U	AH	BB	AJ	TAP	R	AK	BB	D	BA	E	F	H
M1140171.00	5.14	3.85	0.5	1.63	1	3.75	1/3/16	4.25	3	0.13	3	2.5	2.125	1.375	11/32 Slot
M1140173.00	6.14	3.85	0.5	1.63	1	3.75	1/3/16	4.25	3	0.13	3	2.5	2.125	1.375	11/32 Slot
M1140172.00	7.56	4.43	0.5	1.63	1	3.75	1/3/16	4.25	3	0.13	3	2.5	2.125	1.375	11/32 Slot

Specifications are subject to change without notice

AC 38 48C ALL DIMENSIONS IN INCHES



Both motors only and gearmotors will have inverter rated printed on the nameplate. UL and CSA recognition for both motors only and gearmotors

View On-line Technical Information



Single Phase
ODP Motors

Single Phase
TEFC Motors

Single Phase
C Face Motors

Three Phase
ODP Motors

Three Phase
TEFC Motors

Three Phase
C Face Motors

Inverter Duty
Motors

Severe Duty
Motors

Explosion Proof
Motors

Three Phase C Face Motors

**Three Phase C Face Motors – General Purpose – Open-Drip & Totally Enclosed – 208-230/460V & 460V Rigid Mount – ¼ HP – 400 HP
Steel Frame – Aluminum Frame – Cast Iron Frame**



- Standard, EPACT and Premium efficient ratings
- Inverter-rated
- Class B insulation systems – 42, 48 and 56 frames
- Class F insulation system – 140 frame and higher
- Shielded ball bearings for direct coupled applications
- Continuous duty
- Dynamically balanced rotors
- Torques exceed NEMA performance standards
- 1-year warranty on Standard efficient motors
- 2-year warranty on EPACT efficient motors
- 3-year warranty on Premium efficient motors
- UL recognized and CSA certified

Applications:

- Same applications as used on our general purpose ODP and enclosed, three phase motors, only having NEMA C Face mount, which allows direct mounting to a pump or gear reducer or other direct coupled equipment.



Three Phase C Face Motors

Drip-Proof - General Purpose

Three Phase - Drip-Proof - C Face Less Base

HP	SYN RPM 60 Hz	NEMA Frame	▼ Catalog Number	Stock	List Price	Model Number	App. Wgt. (lbs)	Voltage	F. L. Amps @ 230 V	% F.L. Eff.	Service Factor	"C" Dim. (Inches)	Inverter speed range	♥Notes
1/4	1800	S56C	103014.00	√	305	C4T17DC47	19	208-230/460	1.4	58.0	1.35	9.24	2:1	S, MX
1/3	3600	S56C	100375.00	√	307	C4T34DC2	15	208-230/460	1.4	68.0	1.35	9.31	2:1	S, US
	3600	S56C	LM24909	C/A	326	SRD2S0.33TCN61	18	230/460	1.1	66.0	1.35	9.94	2:1	S, US
	1800	S56C	100048.00	√	336	C4T17DC1	17	208-230/460	1.6	64.3	1.35	9.49	2:1	S, MX
	1800	S56C	LM24910	C/A	358	SRD4S0.33TCN61	15	230/460	1.6	66.0	1.35	9.80	2:1	S, US
1/2	1800	S56C	102695.00	√	422	C4T17DC45	22	208-230/460	1.3	77.0	1.25	10.24	2:1	S, MX
	3600	S56C	100056.00	√	328	C4T34DC1	17	208-230/460	1.8	69.0	1.25	9.31	2:1	S, US
3/4	3600	56C	LM24911	C/A	346	SRD2S0.5TCN61	19	230/460	2.2	66.0	1.25	10.44	2:1	S, US
	1800	S56C	100049.00	√	388	C4T17DC2	21	208-230/460	2.0	68.0	1.25	9.99	2:1	S, MX
	1800	S56C	LM24912	C/A	415	SRD4S0.5TCN61	17	230/460	2.2	70.0	1.25	10.30	2:1	S, MX
	1800	S56C	102200.00	√	451	C4T17DC39	25	208-230/460	1.8	77.0	1.25	10.74	2:1	S, MX
	1200	56C	110434.00	√	573	C6T11DC1F	26	208-230/460	2.8	66.0	1.15	10.38	2:1	S, US
	1200	56C	LM24913	C/A	602	SRD6S0.5TCN61	21	230/460	2.8	68.0	1.25	10.38	2:1	S, MX
	3600	S56C	100378.00	√	391	C4T34DC3	20	208-230/460	2.4	79.0	1.25	9.81	2:1	S, US
	3600	56C	LM24914	C/A	407	SRD2S0.75TCN61	20	230/460	3.2	74.0	1.25	10.44	2:1	S, US
1	1800	S56C	100050.00	√	431	C4T17DC3	24	208-230/460	2.8	75.0	1.25	10.49	2:1	S, MX
	1800	56C	LM24915	√	463	SRD4S0.75TCN61	20	230/460	3.0	75.5	1.15	10.44	2:1	S, US
	1800	56C	114934.00	√	484	C6T17DC68	29	208-230/460	2.4	81.5	1.25	10.86	2:1	S, US
	1200	143TC	120063.00	√	622	C143T11DC1	20	208-230/460	3.0	80.0	1.15	12.12	2:1	S, US
	1200	56C	116728.00	C/A	622	C6T11DC11A	35	208-230/460	3.4	75.5	1.15	10.88	2:1	S, US
	3600	56C	110111.00	√	449	C6T34DC7	22	208-230/460	3.2	77.0	1.25	9.88	2:1	S, US
	3600	56C	LM24916	C/A	469	SRD2S1TCN61	22	230/460	3.7	74.0	1.25	10.44	2:1	S, US
	1800	143TC	G120172.00	√	533	C143T17DC13	30	208-230/460	3.1	82.5	1.15	11.68	2:1	S, US
	1800	143TC	LM32790	C/A	570	SSD4P1TCN61	27	230/460	3.1	77.0	1.15	11.68	2:1	S, MX
	1800	56C	110043.00	√	471	C6T17DC1	22	208-230/460	4.2	78.5	1.15	10.38	2:1	S, US
1 1/2	1800	S56C	LM24917	√	500	SRD4S1TCN61	22	230/460	3.4	76.5	1.15	11.30	2:1	S, MX
	1800	56C	116740.00	√	702	C6T17DC80	32	208-230/460	3.4	85.5	1.25	11.68	10:1	S, US
	1800	143TC	121064.00	√	702	C143T17DC12	32	208-230/460	3.4	85.5	1.25	12.12	10:1	S, US
	1200	145TC	G120082.00	√	735	C145T11DC5	35	208-230/460	3.6	80.0	1.15	12.62	2:1	S, US
	3600	143TC	G121668.00	√	572	C143T34DC5	35	208-230/460	4.0	82.5	1.5	11.78	2:1	S, US
	3600	56C	110437.00	√	521	C6T34DC12	27	208-230/460	4.2	81.5	1.15	10.84	2:1	S, US
	3600	56C	LM24919	C/A	545	SRD2S1.5TCN61	23	230/460	5.0	80.0	1.15	10.44	2:1	S, US
	1800	145TC	G120081.00	√	571	C145T17DC42	37	208-230/460	4.4	84.0	1.15	12.12	2:1	S, US
1 1/2	1800	145TC	LM32791	C/A	668	SSD4P1.5TCN61	29	230/460	4.4	84.0	1.15	12.49	2:1	S, MX
	1800	56C	110044.00	√	549	C6T17DC2	27	208-230/460	5.6	78.5	1.15	10.88	2:1	S, US
	1800	56HC	LM24160	C/A	586	SRD4S1.5TCN61	27	230/460	4.8	80.0	1.15	12.49	2:1	S, MX
	1800	56C	116741.00	√	733	C6T17DC81	36	208-230/460	5.6	86.5	1.25	12.68	10:1	S, US
	1800	143TC	121063.00	√	733	C145T17DC30	36	208-230/460	5.6	86.5	1.25	13.12	10:1	S, US
	1200	182TC	G132250.00	C/A	768	C182T11DC4	60	208-230/460	5.7	84.0	1.15	12.70	2:1	S, MX

Green items are Premium Efficient

♥ Note listing on inside back flap

▼ LM Numbers are Lincoln Models

Continued On Next Page

C/A - Check Availability

Specifications are subject to change without notice

View On-line Technical Information



Single Phase
ODP Motors

Single Phase
TEFC Motors

Single Phase
C Face Motors

Three Phase
ODP Motors

Three Phase
TEFC Motors

Three Phase
C Face Motors

Inverter Duty
Motors

Severe Duty
Motors

Explosion Proof
Motors

Three Phase C Face Motors

Drip-Proof - General Purpose

Three Phase - Drip-Proof - C Face Less Base

HP	SYN RPM 60 Hz	NEMA Frame	▼ Catalog Number	Stock	List Price	Model Number	App. Wgt. (lbs)	Voltage	F. L. Amps @ 230 V	% F.L. Eff.	Service Factor	"C" Dim. (Inches)	Inverter speed range	♥Notes
2	3600	143TC	G121670.00	✓	642	C145T34DC12	45	208-230/460	5.2	84.0	1.15	12.18	2:1	S, US
	3600	56C	113894.00	✓	603	C6T34DC63	31	208-230/460	5.6	82.5	1.15	11.34	2:1	S, US
	3600	56HC	LM24921	✓	628	SRD2S2TCN61	25	230/460	6.2	80.0	1.15	10.44	2:1	S, US
	1800	145TC	G120035.00	✓	616	C145T17DC41	39	208-230/460	6.4	84.0	1.15	12.69	2:1	S, US
	1800	56C	115553.00	✓	587	C6T17DC77	32	208-230/460	6.2	78.5	1.15	11.19	2:1	S, US
	1800	56C	LM24131	C/A	628	SRD4S2TCN61	33	208-230/460	6.2	81.5	1.15	11.94	2:1	S, US
	1800	56C	116742.00	✓	824	C6T17DC82	41	208-230/460	5.8	86.5	1.25	13.18	2:1	S, US
	1800	145TC	121071.00	✓	824	C145T17DC31	41	208-230/460	5.8	86.5	1.25	13.62	2:1	S, US
1200	184TC	G132059.00	C/A	788	C184T1IDC5	81	208-230/460	7.2	85.5	1.15	13.63	2:1	S, MX	
3	3600	145TC	G121187.00	✓	661	C145T34DC10	45	208-230/460	7.6	84.0	1.15	13.63	2:1	S, US
	3600	145TC	LM32793	✓	765	SSD2P3TCN61	33	230/460	7.6	84.0	1.15	11.99	2:1	S, US
	3600	56C	114420.00	✓	641	C6T34DC68	37	208-230/460	7.6	84.0	1.15	11.84	2:1	S, US
	3600	56C	LM24923	C/A	671	SRD2S3TCN61	31	230/460	8.4	84.0	1.15	11.44	2:1	S, US
	1800	182TC	G131489.00	✓	722	C182T17DC28	57	208-230/460	8.4	86.5	1.15	12.69	2:1	S, MX
	1800	182TC	LM32794	C/A	745	SSD4P3TCN61	63	230/460	8.4	81.5	1.15	13.00	2:1	S, MX
	1800	182TC	131518.00	✓	884	C182T17DC20	75	208-230/460	7.8	89.5	1.25	13.20	2:1	S, MX
	1200	213TC	G140765.00	C/A	1038	C213T11DC5	140	208-230/460	11.6	86.5	1.15	13.75	2:1	S, MX
5	3600	145TC	G121664.00	✓	698	C145T34DC11	47	208-230/460	12.4	85.5	1.15	13.75	2:1	S, US
	3600	182TC	G131779.00	✓	732	C182T34DC11	64	208-230/460	12.2	85.5	1.15	13.20	2:1	S, MX
	1800	184TC	G131490.00	✓	759	C184T17DC27	69	208-230/460	13.2	87.5	1.15	13.69	2:1	S, MX
	1800	184TC	LM24234	✓	816	SSD4P5TCN61	93	230/460	13.2	87.5	1.25	15.78	2:1	S, MX
	1800	184TC	131517.00	✓	1038	C184T17DC16	96	208-230/460	12.8	89.5	1.25	15.20	2:1	S, MX
7 1/2	3600	184TC	G131780.00	✓	1069	C184T34DC9	78	208-230/460	17.6	87.5	1.15	14.70	2:1	S, MX
	1800	213TC	G140580.00	✓	1005	C213T17DC11	144	208-230/460	20.6	88.5	1.15	15.75	2:1	S, MX
	1800	213TC	LM32800	C/A	1155	SSD4P7.5TCN61	95	230/460	20.6	88.5	1.15	16.25	2:1	S, MX
	1800	213TC	140483.00	✓	1150	C213T17DC7	132	208-230/460	20.6	91.0	1.25	16.25	2:1	S, MX
	10	3600	213TC	G140688.00	✓	1219	C213T34DC1	138	208-230/460	23.4	88.5	1.15	16.53	2:1
10	1800	215TC	G140108.00	✓	1237	C215T17DC8	132	208-230/460	28.0	89.5	1.15	16.75	2:1	S, MX
	1800	215TC	LM32801	C/A	1454	SSD4P10TCN61	128	230/460	28.0	89.5	1.15	16.75	2:1	S, MX
	1800	215TC	140485.00	C/A	1300	C213T17DC5	144	208-230/460	26.8	91.9	1.25	17.25	2:1	S, MX
	15	3600	215TC	G140689.00	✓	1689	C215T34DC2	145	208-230/460	34.0	89.5	1.15	19.28	2:1
20	1800	254TC	G151682.60	✓	1811	C254T17DC3	265	208-230/460	37.6	91.0	1.15	21.32	2:1	C, CN
	3600	254TC	G151683.60	✓	2149	C254T34DC3	258	208-230/460	46.6	90.2	1.15	21.38	2:1	C, CN
25	1800	256TC	G151684.60	✓	2213	C256T17DC5	307	208-230/460	48.0	91.0	1.15	23.03	2:1	C, CN
	3600	256TC	G151685.60	✓	2499	C256T34DC2	292	208-230/460	57.0	91.0	1.15	22.60	2:1	C, CN
	1800	284TC	G151686.60	✓	2698	C284T17DC2	388	208-230/460	59.6	91.7	1.15	23.54	2:1	C, CN
30	3500	284TSC	G151687.60	✓	2914	C283T34DC3	373	208-230/460	70.4	91.0	1.15	25.00	2:1	C, CN

▼ LM Numbers are Lincoln Models

♥ Note listing on inside back flap

C/A - Check Availability

Specifications are subject to change without notice



View On-line Technical Information

Three Phase C Face Motors

Drip-Proof - General Purpose

Three Phase - Drip-Proof - C Face With Base

HP	SYN RPM 60 Hz	NEMA Frame	▼ Catalog Number	Stock	List Price	Model Number	App. Wgt. (lbs)	Voltage	F. L. Amps @ 230 V	% F.L. Eff.	Service Factor	"C" Dim. (Inches)	Inverter speed range	♥ Notes	
1/3	1800	S56C	100599.00	✓	382	C4T17DK1	18	208-230/460	1.6	64.3	1.35	9.49	2 : 1	S, MX	
	1800	S56C	LM24277	✓	388	SRDAS0.33TC61	15	230/460	2.2	67.0	1.35	9.80	2 : 1	S, MX	
	1800	S56C	103021.00	✓	444	C4T17DK9A	23	208-230/460	1.3	77.0	1.25	10.24	2 : 1	S, MX	
1/2	3600	S56C	100600.00	✓	363	C4T34DK1	17	208-230/460	2.4	69.0	1.25	9.31	2 : 1	S, US	
	3600	56C	LM24879	C/A	391	SRD2S0.5TC61	18	230/460	2.2	66.0	1.25	10.44	2 : 1	S, MX	
	1800	S56C	100601.00	✓	432	C4T17DK2	23	208-230/460	2.2	68	1.15	9.99	2 : 1	S, MX	
	1800	S56C	LM24880	C/A	440	SRD4S0.5TC61	17	230/460	2.2	70.0	1.25	10.30	2 : 1	S, MX	
	1800	S56C	103022.00	✓	468	C4T17DK10	26	208-230/460	1.8	77.0	1.25	10.74	2 : 1	S, MX	
	1200	56C	LM24881	C/A	645	SRD6S0.5TC61	33	230/460	---	68.0	1.25	---	2 : 1	S, MX	
3/4	3600	S56C	102971.00	✓	412	C4T34DK9	21	208-230/460	2.4	79.0	1.25	9.85	2 : 1	S, US	
	3600	56C	LM24882	C/A	451	SRD2S0.75TC61	21	230/460	3.2	74.0	1.25	10.44	2 : 1	S, US	
	1800	S56C	100602.00	✓	480	C4T17DK3	25	208-230/460	2.8	75.0	1.25	10.49	2 : 1	S, MX	
	1800	S56C	LM24267	✓	485	SRD4S0.75TC61	20	230/460	2.8	75.5	1.25	10.80	2 : 1	S, MX	
	1800	56C	116762.00	✓	496	C6T17DK30	30	208-230/460	2.4	81.5	1.25	10.86	2 : 1	S, US	
	1200	56C	LM24883	C/A	694	SRD6S0.75TC61	26	230/460	---	76.5	1.15	---	2 : 1	S, MX	
1	3600	56C	116784.00	✓	471	C6T34DK16	23	208-230/460	3.2	77.0	1.15	9.84	2 : 1	S, US	
	3600	56C	LM24884	C/A	516	SRD2S1TC61	24	230/460	1.9	74.0	1.25	10.44	2 : 1	S, US	
	1800	56C	110901.00	✓	563	C6T17DK3	28	208-230/460	4.2	78.5	1.15	10.38	2 : 1	S, US	
	1800	S56C	LM24346	✓	500	SRD4S1TC61	22	230/460	3.4	76.5	1.15	11.30	2 : 1	S, MX	
	1800	56C	116763.00	✓	709	C6T17DK33	33	208-230/460	3.4	85.5	1.25	11.68	2 : 1	S, US	
	1800	145TC	121935.00	✓	652	C143T17DK6	34	208-230/460	3.2	85.5	1.25	12.12	10 : 1	S, US	
	1800	143TC	LM32762	C/A	624	SSD4B1TC61	34	230/460	3.0	85.5	1.25	12.99	10 : 1	S, US	
	1200	56HC	LM24885	C/A	663	SRD6S1TC61	29	230/460	---	75.5	1.15	---	2 : 1	S, MX, 6	
	1200	145TC	LM32763	C/A	802	SSD6B1TC61	48	230/460	---	80.0	1.25	---	10 : 1	S, MX	
	1 1/2	3600	56C	116785.00	✓	558	C6T34DK17	28	208-230/460	4.2	81.5	1.15	10.84	2 : 1	S, US
3600		56C	LM24887	C/A	570	SRD2S1.5TC61	23	230/460	5.0	80.0	1.25	10.44	2 : 1	S, US	
3600		145TC	LM32764	C/A	683	SSD2B1.5TC61	28	230/460	---	84.0	1.25	---	10 : 1	S, US	
1800		56C	110902.00	✓	592	C6T17DK4	29	208-230/460	5.6	78.5	1.15	10.88	2 : 1	S, US	
1800		56HC	LM24889	✓	527	SRD4S1.5TC61	28	230/460	4.8	80.0	1.15	10.94	2 : 1	S, US, 6	
1800		56C	116764.00	✓	735	C6T17DK32	37	208-230/460	5.6	86.5	1.15	12.68	10 : 1	S, US	
1800		143TC	121674.00	✓	709	C143T17DK5	34	208-230/460	3.4	85.5	1.25	12.12	10 : 1	S, US	
1800		145TC	121675.00	✓	735	C145T17DK22	37	208-230/460	5.6	86.5	1.25	13.12	10 : 1	S, US	
1800		145TC	LM32765	C/A	656	SRD4S1.5TC61	40	230/460	---	86.5	1.15	---	10 : 1	S, US	
1200		182TC	LM32766	C/A	1011	SSD6B1.5TC61	80	230/460	---	86.5	1.15	---	10 : 1	S, US	
2		3600	56C	114218.00	✓	692	C6T34DK8	34	208-230/460	5.6	82.5	1.15	11.40	2 : 1	S, US
		3600	56HC	LM24891	C/A	629	SRD2S2TC61	25	230/460	6.4	80.0	1.15	10.44	2 : 1	S, US, 6
	3600	145TC	LM32767	C/A	795	SSD2B2TC61	28	230/460	---	85.5	1.25	---	10 : 1	S, MX	
	1800	56HC	116630.00	✓	622	C6T17DK28	32	208-230/460	6.2	78.5	1.15	11.38	2 : 1	S, US, 6	
	1800	56HC	LM24345	✓	626	SRD4S2TC61	36	230/460	6.2	81.5	1.15	11.94	2 : 1	S, US, 6	
	1800	56HC	116765.00	✓	831	C6T17DK31	42	208-230/460	5.8	86.5	1.25	13.18	10 : 1	S, US, 6	
	1800	145TC	121676.00	✓	831	C145T17DK21	42	208-230/460	5.8	86.5	1.25	13.62	10 : 1	S, US	
	1800	145TC	LM32768	C/A	701	SSD4B2TC61	44	230/460	6.0	86.5	1.25	13.49	10 : 1	S, MX	
	1200	184TC	LM32769	C/A	995	SSD6B2TC61	74	230/460	---	87.5	1.25	---	10 : 1	S, MX	

Green items are Premium Efficient

♥ Note listing on inside back flap

▼ LM Numbers are Lincoln Models

Continued On Next Page

C/A - Check Availability

Specifications are subject to change without notice

View On-line Technical Information



Single Phase
ODP Motors

Single Phase
TEFC Motors

Single Phase
C Face Motors

Three Phase
ODP Motors

Three Phase
TEFC Motors

Three Phase
C Face Motors

Inverter Duty
Motors

Severe Duty
Motors

Explosion Proof
Motors

Three Phase C Face Motors

Drip-Proof - General Purpose

Three Phase - Drip-Proof - C Face With Base

HP	SYN RPM 60 Hz	NEMA Frame	▼ Catalog Number	Stock	List Price	Model Number	App. Wgt. (lbs)	Voltage	F. L. Amps @ 230 V	% F.L. Eff.	Service Factor	"C" Dim. (Inches)	Inverter speed range	♥Notes
3	3600	56HC	LM24894	C/A	1990	SRD2S3TC61	33	230/460	8.4	84.0	1.15	11.44	2 : 1	S, US, 6
	3600	145TC	LM1928.00	✓	755	C145T34DK16	45	230/460	7.2	85.5	1.25	13.76	10 : 1	S, US
	3600	145TC	LM32770	C/A	733	SSD2B3TC61	33	230/460	—	85.5	1.25	—	10 : 1	S, MX
	1800	56HCZ	116631.00	✓	719	C6T17DK29	38	208-230/460	8.6	82.5	1.15	13.62	2 : 1	S, US, 6
	1800	182TC	LM32081.00	✓	900	C182T17DK17	76	208-230/460	7.8	89.5	1.25	14.20	10 : 1	S, MX
	1800	182TC	LM32771	C/A	838	SSD4B3TC61	83	230/460	8.0	89.5	1.25	13.19	10 : 1	S, MX
5	1200	213TC	LM32772	C/A	1207	SSD6B3TC61	104	230/460	—	88.5	1.25	—	10 : 1	S, MX
	3600	182TC	LM32242.00	✓	816	C184T34DK20	92	208-230/460	12.2	86.5	1.15	15.19	10 : 1	S, MX
	3600	182TC	LM32773	C/A	881	SSD2B5TC61	83	230/460	—	86.5	1.15	—	10 : 1	S, MX
	1800	184TC	LM32082.00	✓	1054	C184T17DK26	97	208-230/460	12.8	89.5	1.25	15.20	10 : 1	S, MX
	1800	184TC	LM32774	C/A	939	SSD4B8TC61	93	230/460	—	89.5	1.25	—	10 : 1	S, MX
	1200	215TC	LM32775	C/A	1454	SSD6B5TC61	135	230/460	13.8	89.5	1.25	19.28	10 : 1	S, MX
7 1/2	3600	184TC	LM32244.00	✓	1233	C184T34DK21	106	208-230/460	17.6	88.5	1.15	16.19	10 : 1	S, MX
	3600	184TC	LM32776	C/A	1303	SSDB7.5TC61	105	230/460	—	88.5	1.15	—	10 : 1	S, MX
	1800	213TC	LM32767.00	C/A	1159	C213T17DK7	132	208-230/460	20.8	91.0	1.25	16.25	10 : 1	S, MX
	1800	213TC	LM32666	✓	1231	SSD4B7.5C61	115	230/460	19.2	91.0	1.25	19.28	10 : 1	S, MX
	1800	213TC	LM32777.00	✓	1126	C213T17DK15	165	208-230/460	19.8	91.0	1.15	16.38	10 : 1	C, CN
	1200	254TC	LM32777	C/A	1804	SSD6B7.5TC61	150	230/460	—	90.2	1.25	—	10 : 1	S, US
10	3600	213TC	LM32778.00	✓	1367	C213T34DK6	160	208-230/460	23.4	89.5	1.15	17.30	10 : 1	S, MX
	3600	213TC	LM32778	C/A	1440	SSD2B10TC61	138	230/460	26.8	89.5	1.25	17.25	10 : 1	S, MX
	3600	213TC	LM32779.00	✓	1483	C213T3DK7	192	208-230/460	27.6	89.5	1.15	16.38	10 : 1	C, CN
	1800	215TC	LM32780.00	✓	1315	C215T17DK6	144	208-230/460	26.8	91.9	1.25	17.25	10 : 1	S, MX
	1800	215TC	LM32649	✓	1516	SSD4B10TC61	138	230/460	25.0	91.7	1.25	19.28	10 : 1	S, MX
	1800	215TC	LM32781.00	✓	1471	C215T17DK13	198	208-230/460	25.6	91.7	1.15	18.62	10 : 1	C, CN
15	3600	215TC	LM32782.00	✓	2049	C215T34DK9	200	208-230/460	34.6	90.2	1.15	17.87	10 : 1	C, CN
	3600	215TC	LM32783.00	✓	1766	C215T34DK3	170	208-230/460	35.0	91.0	1.15	18.55	10 : 1	S, MX
	3600	215TC	LM32780	✓	1889	SSD2B15TC61	135	230/460	35.0	90.2	1.25	—	10 : 1	S, MX
	1800	254TC	LM32784.00	✓	2101	C254T17DK7	276	208-230/460	37.0	93.0	1.15	20.94	10 : 1	C, CN
	1800	254TC	LM32781	✓	2383	CCD4B15TC61	326	230/460	37.0	93.0	1.25	23.31	10 : 1	S, US
	1200	284TC	LM31247	C/A	3365	CCD6B15TC61Y	420	230/460	41.0	91.7	1.25	—	10 : 1	C, US
20	1200	284TC	LM32806	C/A	3198	SSD6B15TC61Y	355	230/460	41.0	91.7	1.25	—	10 : 1	S, US
	3600	254TC	LM32785.00	✓	2477	C254T34DK6	275	208-230/460	46.6	91.0	1.15	20.94	10 : 1	C, CN
	3600	254TC	LM32782	C/A	2383	CCD2B20TC61	300	230/460	46.0	91.0	1.25	—	10 : 1	S, US
	1800	256TC	LM32786.00	✓	2557	C256T17DK6	324	208-230/460	51.0	93.0	1.15	22.60	10 : 1	C, CN
	1800	286TC	LM32783	✓	2468	SSD4B20TC61	233	230/460	48.0	93.0	1.25	29.19	10 : 1	S, US
	1200	286TC	LM31248	C/A	3766	CCD6B20TC61Y	462	230/460	52.0	92.4	1.25	—	10 : 1	C, US

Green items are Premium Efficient

▼ LM Numbers are Lincoln Models

C/A - Check Availability

Specifications are subject to change without notice

♥ Note listing on inside back flap

Continued On Next Page



View On-line Technical Information



Three Phase C Face Motors

Drip-Proof - General Purpose

Three Phase - Drip-Proof - C Face With Base

HP	SYN RPM 60 Hz	NEMA Frame	▼ Catalog Number	Stock	List Price	Model Number	App. Wgt. (lbs)	Voltage	F. L. Amps @ 230 V	% F.L. Eff.	Service Factor	"C" Dim. (Inches)	Inverter speed range	♥Notes
25	3600	256TC	171688.60	✓	3100	C256T34DK6	327	208-230/460	57.0	92.5	1.15	23.03	10 : 1	C, CN
	3600	256TC	LM32784	C/A	2875	CCD2B25TC61	420	230/460	58.0	92.4	1.25	24.81	10 : 1	C, US
	1800	284TC	170073.60	✓	3187	C284T17DK4	404	208-230/460	59.6	93.6	1.15	23.54	10 : 1	C, CN
	1800	284TC	LM31245	✓	3380	CCD4B25TC61Y	428	230/460	62.0	93.6	1.25	24.95	10 : 1	C, US
	1800	284TSC	LM32785	✓	3380	CCD4B25TSC61Y	447	230/460	62.0	93.6	1.25	23.57	10 : 1	C, US
	1200	324TC	LM14535	✓	5429	SD6B25TC61Y	479	230/460	65.0	93.0	1.25	28.00	10 : 1	S, US
30	3600	284TSC	LM17382	✓	4091	SD2B30TSC61Y	355	230/460	67.0	93.0	1.25	21.78	10 : 1	S, US
	1800	286TC	171377.60	✓	3648	C286T17DK5	471	208-230/460	71.0	94.1	1.15	25.00	10 : 1	C, CN
	1800	286TC	LM31246	C/A	4091	SD4B30TC61Y	400	230/460	74.0	94.1	1.25	--	10 : 1	S, US
	1800	286TSC	LM32786	✓	3914	CCD4B30TSC61Y	400	230/460	74.0	94.1	1.25	25.44	10 : 1	C, US
40	1200	326TC	LM13836	C/A	6232	SD6B30TC61Y	532	230/460	78.0	93.6	1.25	--	10 : 1	S, US
	3600	286TSC	LM17384	✓	6409	SD2B40TSC61Y	406	230/460	90.0	93.6	1.25	23.28	10 : 1	S, US
	1800	324TC	170378.60	✓	4624	C324T17DK10	560	208-230/460	96.0	94.1	1.15	26.02	10 : 1	C, CN
	1800	324TC	LM13837	C/A	5950	SD4B40TC61Y	479	230/460	103.0	94.1	1.25	25.91	10 : 1	S, US
50	1800	324TSC	LM32684	C/A	5950	SD4B40TSC61Y	479	230/460	104.0	94.1	1.25	--	10 : 1	S, US
	1200	364TC	LM15571	C/A	8641	SD6B40TC61Y	724	230/460	112.0	94.1	1.25	28.35	10 : 1	S, US
	3600	324TSC	LM13838	✓	6369	SD2B50TSC61Y	479	230/460	110.0	94.1	1.25	24.41	10 : 1	S, US
	1800	326TC	170379.60	✓	5476	C326T17DK4	614	208-230/460	118.0	94.5	1.15	27.52	10 : 1	C, CN
	1800	326TC	LM13839	✓	7005	SD4B50TC61Y	479	230/460	130.0	94.5	1.25	27.41	10 : 1	S, US
	1800	326TSC	LM32655	✓	7005	SD4B50TSC61Y	532	230/460	131.0	94.5	1.25	25.91	10 : 1	S, US
60	1200	365TC	LM15574	C/A	9681	SD6B50TC61Y	775	230/460	138.0	94.5	1.25	--	10 : 1	S, US
	3600	326TSC	LM13840	C/A	6707	SD2B60TSC61Y	535	230/460	136.0	93.6	1.25	25.91	10 : 1	S, US
	1800	364TC	171689.60	✓	6874	C364T17DK2	716	208-230/460	139.0	95.0	1.15	28.01	10 : 1	C, CN
	1800	364TSC	LM32787	✓	9550	SD4B60TSC61Y	724	230/460	140.0	94.5	1.25	28.35	10 : 1	S, US
	1800	364TC	LM15570	C/A	9550	SD4B60TC61Y	724	230/460	140.0	95.0	1.25	28.35	10 : 1	S, US
75	1200	404TC	LM17385	C/A	10723	SD6B60TC61Y	898	230/460	159.0	94.5	1.25	--	2 : 1	S, US
	3600	364TSC	LM15569	✓	10095	SD2B75TSC61Y	724	230/460	164.0	95.0	1.25	26.27	10 : 1	S, US
	1800	365TC	171690.60	✓	8349	C365T17BK2	766	208-230/460	172.0	95.0	1.15	31.18	10 : 1	C, CN
	1800	365TC	LM15573	✓	9800	SD4B75TC61Y	775	230/460	176.0	95.0	1.25	27.27	10 : 1	S, US
	1800	365TSC	LM32656	✓	9800	SD4B75TSC61Y	775	230/460	176.0	95.0	1.25	27.27	10 : 1	S, US
	1200	405TC	LM17386	C/A	13695	SD6B75TC61Y	974	230/460	210.0	95.4	1.25	--	2 : 1	S, US
100	3600	365TSC	LM15572	C/A	11507	SD2B100TSC61Y	775	230/460	110.0	95.4	1.25	27.27	10 : 1	S, US
	1800	404TC	171691.60	✓	10626	C404T17DK2	1141	208-230/460	225.0	95.4	1.15	32.76	2 : 1	C, CN
	1800	404TC	LM17387	C/A	10025	SD4B100TC61Y	898	230/460	122.0	95.4	1.25	32.16	2 : 1	S, US
	1800	404TSC	LM32788	✓	10025	SD4B100TSC1Y	898	230/460	130.0	95.4	1.25	29.16	2 : 1	S, US
	1200	444TC	LM13791	C/A	16055	SD6B100TC64Y	1298	460	137.0*	95.4	1.25	37.25	2 : 1	S, US
125	3600	404TSC	LM17388	C/A	14735	SD2B125TSC61Y	898	230/460	138.0	95.0	1.25	29.16	2 : 1	S, US
	1800	405TSC	LM32657	✓	11248	SD4B125TSC61Y	974	230/460	153.0	95.4	1.25	30.66	2 : 1	S, US
	1800	405TC	LM17389	C/A	11248	SD4B125TC61Y	974	230/460	153.0	95.4	1.25	33.66	2 : 1	S, US
	1200	445TC	LM13792	C/A	17339	SD6B125TC64Y	1459	460	168.0*	95.4	1.15	39.25	2 : 1	S, US
150	3600	405TSC	LM17390	C/A	17342	SD2B150TSC61Y	974	230/460	169.0	94.1	1.25	30.66	2 : 1	S, US
	1800	444TC	LM13793	C/A	15205	SD4B150TC64Y	1298	460	170.0*	95.8	1.25	--	2 : 1	S, US
	1800	444TSC	LM32789	✓	15205	SD4B150TSC64Y	1298	460	170.0*	95.8	1.25	33.50	2 : 1	S, US
	1200	447TC	LM13794	C/A	20545	SD6B150TC64Y	1459	460	200.0*	95.4	1.15	42.75	2 : 1	S, US

Green items are Premium Efficient

♥ Note listing on inside back flap

* F.L. Amps at 460V

Continued On Next Page

▼ LM Numbers are Lincoln Models

C/A - Check Availability

Specifications are subject to change without notice

View On-line Technical Information



Single Phase
ODP Motors

Single Phase
TEFC Motors

Single Phase
C Face Motors

Three Phase
ODP Motors

Three Phase
TEFC Motors

Three Phase
C Face Motors

Inverter Duty
Motors

Severe Duty
Motors

Explosion Proof
Motors

Three Phase C Face Motors

Drip-Proof - General Purpose

Three Phase - Drip-Proof - C Face With Base

HP	SYN RPM 60 Hz	NEMA Frame	▼ Catalog Number	Stock	List Price	Model Number	App. Wgt. (lbs)	Voltage	F. L. Amps @ 230 V	% F.L. Eff.	Service Factor	"C" Dim. (Inches)	Inverter speed range	♥Notes
200	3600	444TSC	LM13795	C/A	21255	SD2B200TSC64Y	1298	460	216.0*	95.8	1.25	33.50	2 : 1	S, US
	1800	445TC	LM13796	C/A	18708	SD4B200TC64Y	1459	460	233.0*	96.2	1.25	--	2 : 1	S, US
	1800	445TSC	LM32677	✓	18708	SD4B200TSC64Y	1470	460	233.0*	96.2	1.25	35.50	2 : 1	S, US
	1200	447TC	LM13797	C/A	24274	SD6B200TC64Y	1766	460	255.0*	95.4	1.15	--	2 : 1	S, US
250	3600	445TSC	LM13798	C/A	28067	SD2B250TSC64Y	1459	460	267.0*	95.8	1.15	--	2 : 1	S, US
	3600	445TSC	LM13787	C/A	22618	SD2P250TSC64Y	1459	460	266.0*	94.5	1.15	39.74	2 : 1	S, US
	1800	445TC	LM13799	C/A	26953	SD4B250TC64Y	1459	460	293.0*	96.2	1.15	--	2 : 1	S, US
	1800	445TC	LM13788	C/A	20900	SD4P250TC64Y	1449	460	293.0*	95.4	1.25	39.25	2 : 1	S, US
	1800	445TSC	LM20695	C/A	20900	SD4P250TSC64Y	1459	460	293.0*	95.4	1.15	35.50	2 : 1	S, US
	1200	449TC	LM13841	C/A	32068	SD6B250TC64Y	1766	460	335.0*	95.4	1.00	--	2 : 1	S, US
300	3600	447TSC	LM13842	C/A	32986	SD2B300TSC64Y	1766	460	316.0*	95.8	1.15	--	2 : 1	S, US
	3600	447TSC	LM13790	C/A	26307	SD2P300TSC64Y	1766	460	316.0*	95.0	1.15	--	2 : 1	S, US
	1800	447TC	LM13843	C/A	27939	SD4B300TC64Y	1766	460	348.0*	96.2	1.15	--	2 : 1	S, US
	1800	447TC	LM15312	C/A	22097	SD4P300TC64Y	1766	460	342.0*	95.4	1.15	--	2 : 1	S, US
350	3600	447TSC	LM13845	C/A	37250	SD2B350TSC64Y	1766	460	369.0*	95.8	1.15	--	2 : 1	S, US
	3600	447TSC	LM13802	C/A	29693	SD2P350TSC64Y	1766	460	370.0*	95.0	1.15	--	2 : 1	S, US
	1800	447TC	LM13846	C/A	34890	SD4B350TC64Y	1766	460	405.0*	96.2	1.15	--	2 : 1	S, US
	1800	447TC	LM13803	C/A	25330	SD4P350TC64Y	1766	460	406.0*	95.4	1.15	--	2 : 1	S, US
400	3600	449TSC	LM13848	C/A	41702	SD2B400TSC64Y	2133	460	430.0*	96.2	1.15	--	2 : 1	S, US
	3600	449TSC	LM13805	C/A	32516	2D2P400TSC64Y	2133	460	420.0*	95.4	1.15	44.00	2 : 1	S, US
	1800	449TC	LM13849	C/A	40492	SD4B400TC64Y	2133	460	445.0*	95.8	1.15	--	2 : 1	S, US
	1800	449TC	LM13806	C/A	31394	SD4P400TC64Y	2133	460	460.0*	95.4	1.15	47.75	2 : 1	S, US

Green items are Premium Efficient

♥ Note listing on inside back flap

* F.L. Amps at 460V

▼ LM Numbers are Lincoln Models

C/A - Check Availability

Specifications are subject to change without notice



View On-line Technical Information

Three Phase C Face Motors

Totally Enclosed - General Purpose

Three Phase - Totally Enclosed - C Face Less Base - Three Phase

HP	SYN RPM 60 Hz	NEMA Frame	▼ Catalog Number	Stock	List Price	Model Number	App. Wgt. (lbs)	Voltage	F. L. Amps @ 230 V	% F.L. Eff.	Service Factor	"C" Dim. (Inches)	Inverter speed range	♥Notes	
1/6	1800	48CZ	102662.00	✓	316	C4T17FC31	15	208-230/460	0.7	71.0	1.0	9.44	2 : 1	S, MX	
1/4	3600	48CZ	101965.00	✓	410	C4T34NC11	15	208-230/460	1.0	67.0	1.0	9.03	2 : 1	S, US, 12	
	1800	48CZ	101966.00	✓	358	C4T17NC35	18	208-230/460	1.0	78.0	1.15	9.31	2 : 1	S, MX, 12	
	1800	48CZ	101981.00	✓	358	C4T17FC19	17	208-230/460	1.4	58.0	1.15	8.94	2 : 1	S, MX	
	1800	S56C	101648.00	✓	351	C4T17NC28	17	208-230/460	1.0	78.0	1.15	9.56	2 : 1	S, MX, 12	
	1800	S56C	101767.00	✓	351	C4T17FC9	19	208-230/460	1.4	58.0	1.15	9.69	2 : 1	S, MX	
1/3	1800	56C	LM24964	✓	373	SRF4S0.25TCN61	14	230/460	1.1	71.0	1.15	11.32	2 : 1	S, US	
	3600	56C	110446.00	✓	345	C6T34NC2	20	208-230/460	1.2	77.0	1.15	9.90	2 : 1	S, US, 12	
	1800	48CZ	102664.00	✓	365	C4T17FC30	20	208-230/460	1.6	64.3	1.15	9.19	2 : 1	S, MX	
	1800	S56C	101769.00	✓	378	C4T17FC10	20	208-230/460	1.6	64.3	1.15	9.69	2 : 1	S, MX	
	1800	S56C	LM24093	✓	403	SRF4S0.33TCN61	15	230/460	1.6	65.5	1.15	10.19	2 : 1	S, MX	
	1800	S56C	102863.00	✓	387	C4T17NC47	19	208-230/460	1.3	77.0	1.15	9.56	2 : 1	S, MX, 12	
	1800	S56C	102696.00	✓	529	C4T17FC33	22	208-230/460	1.3	77.0	1.25	10.19	2 : 1	S, MX	
	1200	48C	101291.00	✓	589	C4T11NC1	20	208-230/460	1.8	73.0	1.0	9.56	2 : 1	S, MX	
	1200	56C	113311.00	✓	589	C6T11FC16	22	208-230/460	1.6	65.0	1.15	10.81	2 : 1	S, US	
	1200	56C	LM24858	✓	616	SRF6S0.33TCN61	21	230/460	2.2	62.0	1.15	11.32	2 : 1	S, MX	
1/2	3600	48C	100449.00	✓	403	C4T34NC4	23	208-230/460	1.6	67.0	1.0	10.06	2 : 1	S, US, 12	
	3600	56C	110144.00	✓	403	C6T34NC1	25	208-230/460	1.6	82.5	1.15	10.40	2 : 1	S, US, 12	
	3600	56C	114176.00	✓	403	C6T34FC42	19	208-230/460	2.0	72.0	1.15	10.31	2 : 1	S, US	
	3600	56C	LM24138	C/A	419	SRF2S0.5TCN61	22	230/460	2.2	66.0	1.15	11.82	2 : 1	S, US	
	1800	48CZ	100486.00	✓	460	C4T17NC11	24	208-230/460	1.6	78.0	1.0	10.31	2 : 1	S, MX, 12	
	1800	48CZ	102666.00	✓	441	C4T17FC32	24	208-230/460	2.0	73.0	1.15	9.69	2 : 1	S, MX	
	1800	S56C	102861.00	✓	458	C4T17NC46	23	208-230/460	1.8	77.0	1.15	10.06	2 : 1	S, MX, 12	
	1800	S56C	102860.00	✓	441	C4T17FC40	19	208-230/460	2.0	73.0	1.15	10.19	2 : 1	S, MX	
	1800	S56C	LM24083	✓	492	SRF4S0.5TCN61	17	230/460	2.2	70.0	1.15	10.69	2 : 1	S, MX	
	1800	S56C	101780.00	✓	567	C4T17FC12	25	208-230/460	1.8	77.0	1.15	10.69	2 : 1	S, MX	
	1200	56C	110163.00	✓	637	C6T11FC1	25	208-230/460	2.4	70.0	1.15	11.31	2 : 1	S, US	
	1200	56C	LM24128	✓	663	SRF6S0.5TCN61	23	230/460	2.7	68.0	1.15	11.82	2 : 1	S, MX	
	900	143TC	LM24965	✓	996	SSF8S0.5TCN61	31	230/460	2.6	66.0	1.15	13.37	2 : 1	S, US	
	3/4	3600	56C	110448.00	✓	422	C6T34FC9	21	208-230/460	2.4	75.5	1.15	10.81	2 : 1	S, US
		3600	56C	LM24151	✓	439	SRF2S0.75TCN61	22	230/460	3.2	74.0	1.15	11.82	2 : 1	S, US
1800		56C	110047.00	✓	477	C6T17FC1	22	208-230/460	2.8	77.0	1.15	10.81	2 : 1	S, US	
1800		S56C	LM24077	✓	510	SRF4S0.75TCN61	21	230/460	2.8	75.5	1.15	11.19	2 : 1	S, MX	
1800		56C	114213.00	✓	610	C6T17FC114	27	208-230/460	2.7	81.5	1.15	11.31	2 : 1	S, US	
1200		143TC	120097.00	✓	667	C143T11FC1	32	208-230/460	3.0	80.0	1.15	10.88	2 : 1	S, US	
1200		143TC	LM24966	C/A	694	SSF6S0.75TCN61	29	230/460	3.2	74.0	1.15	12.37	2 : 1	S, US	
1200		56C	112378.00	✓	667	C6T11FC10	29	208-230/460	3.0	75.5	1.15	11.81	2 : 1	S, US	
1200		56C	LM24153	C/A	694	SRF6S0.75TCN61	26	230/460	3.2	74.0	1.15	14.20	2 : 1	S, MX	
900		145TC	LM24967	✓	1134	SSF8S0.75TCN61	49	230/460	4.2	70.0	1.15	14.87	2 : 1	S, US	

▼ LM Numbers are Lincoln Models

♥ Note listing on inside back flap

C/A - Check Availability

Continued On Next Page

Specifications are subject to change without notice

View On-line Technical Information



Single Phase
ODP Motors

Single Phase
TEFC Motors

Single Phase
C Face Motors

Three Phase
ODP Motors

Three Phase
TEFC Motors

Three Phase
C Face Motors

Inverter Duty
Motors

Severe Duty
Motors

Explosion Proof
Motors

Three Phase C Face Motors

Totally Enclosed - General Purpose

Three Phase - Totally Enclosed - C Face Less Base - Three Phase

HP	SYN RPM 60 Hz	NEMA Frame	▼ Catalog Number	Stock	List Price	Model Number	App. Wgt. (lbs)	Voltage	F. L. Amps @ 230 V	% F.L. Eff.	Service Factor	"C" Dim. (Inches)	Inverter speed range	♥Notes	
1	3600	56C	110112.00	✓	496	C6T34FC6	21	208-230/460	3.2	77.0	1.15	10.81	10 : 1	S, US	
	3600	56C	LM24139	✓	520	SRF2S1TCN61	24	230/460	3.7	74.0	1.15	11.82	2 : 1	S, US	
	3600	56C	116748.00	✓	670	C6T34FC97	29	208-230/460	2.8	80.0	1.25	11.31	10 : 1	S, US	
	1800	143TC	G120024.00	✓	579	C143T17FC23	34	208-230/460	3.1	82.5	1.15	11.28	10 : 1	S, US	
	1800	143TC	LM24148	✓	629	SSF4P1TCN61	28	230/460	3.6	82.5	1.25	12.87	10 : 1	S, MX	
	1800	56C	110048.00	✓	509	C6T17FC2	24	208-230/460	3.8	77.0	1.15	11.31	2 : 1	S, US	
	1800	56C	LM24080	✓	545	SRF3S1TCN61	27	230/460	3.6	77.0	1.15	12.32	2 : 1	S, MX	
	1800	56C	114638.00	✓	849	C6T17FC132	34	208-230/460	3.4	85.5	1.15	12.81	10 : 1	S, US	
	1800	143TC	121067.00	✓	849	C143T17FC16	36	208-230/460	3.4	85.5	1.15	13.25	10 : 1	S, US	
1 1/2	1200	145TC	G120098.00	✓	718	C145T11FC9	35	208-230/460	3.6	80.0	1.15	12.28	10 : 1	S, US	
	1200	145TC	LM32846	✓	783	SSF6P1TCN61	33	230/460	3.6	82.5	1.15	12.50	10 : 1	S, US	
	1200	56C	112379.00	✓	654	C6T11FC11	32	208-230/460	4.0	77.0	1.15	12.31	2 : 1	S, US	
	1200	56HC	LM24130	✓	684	SRF6S1TCN61	33	230/460	4.0	78.5	1.15	12.82	2 : 1	S, MX	
	1200	56C	116749.00	✓	892	C6T11FC29	47	208-230/460	3.8	82.5	1.25	13.75	10 : 1	S, US	
	3600	143TC	G120105.00	✓	622	C143T34FC18	27	208-230/460	4.0	82.5	1.15	11.78	10 : 1	S, US	
	3600	143TC	LM32810	C/A	648	SSF2P1.5TCN61	27	230/460	--	82.5	1.15	--	10 : 1	S, MX	
	3600	56C	110192.00	✓	547	C6T34FC5	28	208-230/460	4.2	81.5	1.15	11.81	2 : 1	S, US	
	3600	56C	LM24096	✓	570	SRF2S1.5TCN61	26	230/460	4.6	80.0	1.15	13.82	2 : 1	S, US	
	3600	56C	116750.00	✓	761	C6T34FC98C	33	208-230/460	4.0	84.0	1.25	11.98	2 : 1	S, US	
	1800	145TC	G120037.00	✓	604	C145T17FC62	36	208-230/460	4.4	84.0	1.15	12.13	10 : 1	S, US	
	1800	145TC	LM24149	✓	447	SSF4P1.5TCN61	31	230/460	4.4	84.0	1.25	14.37	2 : 1	S, MX	
	1800	56C	110125.00	✓	539	C6T17FC3	29	208-230/460	5.0	78.5	1.15	11.81	2 : 1	S, US	
	1800	56C	LM24112	✓	578	SRF4S1.5TCN61	29	230/460	4.8	80.0	1.15	12.32	2 : 1	S, MX	
	1800	56C	116743.00	✓	895	C6T17FC209	41	208-230/460	4.8	86.5	1.25	13.31	10 : 1	S, US	
	1800	145TC	121066.00	✓	895	C145T17FC37	41	208-230/460	4.8	86.5	1.15	13.75	10 : 1	S, US	
	2	1200	182TC	G132249.00	✓	839	C182T11FC4	82	208-230/460	5.6	85.5	1.15	14.96	10 : 1	S, MX
		1200	56C	113634.00	✓	746	C6T11FC18	39	208-230/460	5.7	77.0	1.15	13.31	2 : 1	S, US
1200		182TC	LM32847	C/A	924	SSF6S1.5TCN61	69	230/460	5.9	85.5	1.15	15.10	10 : 1	S, MX	
3600		145TC	G120061.00	✓	686	C145T34FC38	44	208-230/460	5.2	84.0	1.15	11.78	10 : 1	S, US	
3600		145TC	LM32678	C/A	745	SSF2P2TCN61	45	230/460	5.2	84.0	1.15	13.37	10 : 1	S, US	
3600		56C	111273.00	✓	622	C6T34FC22	36	208-230/460	5.6	82.5	1.15	12.31	2 : 1	S, US	
3600		56C	LM24132	✓	650	SRF2S2TCN61	29	230/460	6.0	82.5	1.15	12.32	2 : 1	S, US	
3600		56C	116751.00	✓	880	C6T34FC94	44	208-230/460	4.8	85.5	1.25	14.25	10 : 1	S, US	
1800		145TC	G120038.00	✓	621	C145T17FC105	44	208-230/460	5.6	84.0	1.15	12.12	10 : 1	S, US	
1800		145TC	LM24125	✓	683	SSF4P2TCN61	39	230/460	5.6	84.0	1.25	13.87	10 : 1	S, MX	
1800		56C	110451.00	✓	573	C6T17FC9	34	208-230/460	6.2	81.5	1.15	12.81	2 : 1	S, US	
1800		56C	LM24084	✓	616	SRF4S2TCN61	39	230/460	5.8	82.5	1.15	13.82	2 : 1	S, MX	
1800	56C	116744.00	✓	940	C6T17FC210	45	208-230/460	5.8	86.5	1.25	13.82	10 : 1	S, US		
1800	145TC	121065.00	✓	940	C145T17FC38	45	208-230/460	5.8	86.5	1.25	14.26	10 : 1	S, US		
1200	184TC	G131525.00	✓	914	C184T11FC10	75	208-230/460	7.4	86.5	1.15	13.97	10 : 1	S, MX		

Green items are Premium Efficient

♥ Note listing on inside back flap

▼ LM Numbers are Lincoln Models

Continued On Next Page

C/A - Check Availability

Specifications are subject to change without notice



View On-line Technical Information



Three Phase C Face Motors

Totally Enclosed - General Purpose

Three Phase - Totally Enclosed - C Face Less Base - Three Phase

HP	SYN RPM 60 Hz	NEMA Frame	▼ Catalog Number	Stock	List Price	Model Number	App. Wgt. (lbs)	Voltage	F. L. Amps @ 230 V	% F.L. Eff.	Service Factor	"C" Dim. (Inches)	Inverter speed range	♥ Notes	
3	3600	145TC	G120993.00	✓	776	C145T34FC39	60	208-230/460	8.4	85.5	1.15	13.42	2 : 1	S, US	
	3600	145TC	LM32848	✓	850	SSF2S3TCN61	40	208-230/460	7.6	85.5	1.15	13.42	2 : 1	S, US	
	3600	56C	111630.00	✓	707	C6T34FC28	37	208-230/460	7.6	84.0	1.15	12.81	2 : 1	S, US	
	3600	56C	LM24975	C/A	742	SRF2S3TCN61	40	230/460	7.6	84.0	1.15	13.32	2 : 1	S, US	
	3600	182TC	G131513.00	✓	856	C182T34FC6A	55	208-230/460	8.0	84.0	1.15	13.97	2 : 1	S, MX	
	1800	182TC	G131491.00	✓	770	C182T17FC35A	67	208-230/460	8.2	87.5	1.15	13.96	2 : 1	S, MX	
	1800	182TC	LM16298	✓	823	AAF4P3TCN61	91	230/460	8.4	87.5	1.25	14.94	2 : 1	A, US	
	1800	182TC	LM33574	✓	823	AAF4P3TCN61AP26	91	230/460	8.4	87.5	1.25	14.94	2 : 1	A, MX	
	1800	56C	113890.00	✓	765	C6T17FC91	43	208-230/460	8.6	82.5	1.0	13.81	2 : 1	S, US	
	1800	182TC	LM33337	C/A	770	SSF4P3TCN61	67	230/460	8.2	87.5	1.15	13.96	2 : 1	S, MX	
	1800	182TC	131503.00	✓	1007	C182T17FC26	72	208-230/460	7.8	89.5	1.15	14.96	10 : 1	S, MX	
	1800	182TC	LM33573	✓	1007	AAF4B3TCN61AP26	95	230/460	8.0	89.5	1.25	15.94	10 : 1	A, MX	
	1800	182TC	LM16824	✓	1007	AAF4B3TCN61	95	230/460	8.0	89.5	1.25	15.94	10 : 1	A, US	
	1200	213TC	G141114.00	✓	1300	C213T11FC1	133	208-230/460	14.4	87.5	1.15	17.71	2 : 1	S, MX	
	1200	213TC	LM32850	C/A	1292	SSF6P3TCN61	75	230/460	9.2	87.5	1.15	20.96	2 : 1	S, MX	
	5	3600	184TC	G131514.00	✓	908	C184T34FC23A	79	208-230/460	12.0	87.5	1.15	14.47	10 : 1	S, MX
		1800	184TC	G131492.00	✓	887	C184T17FC46	80	208-230/460	12.8	87.5	1.15	14.97	2 : 1	S, MX
		1800	184TC	LM16299	✓	941	AAF4P5TCN61	104	230/460	13.0	87.5	1.25	15.94	2 : 1	A, US
1800		184TC	LM33489	✓	941	AAF4P5TCN61AP26	104	230/460	13.0	87.5	—	15.94	2 : 1	A, MX	
1800		184TC	131501.00	✓	1088	C184T17FC29	90	208-230/460	12.8	89.5	1.15	15.97	10 : 1	S, MX	
1800		184TC	LM33575	✓	1167	AAF4B5TCN61AP26	104	208-230/460	13.7	90.2	1.25	16.94	10 : 1	A, MX	
1800		184TC	LM16825	✓	1167	AAF4B5TCN61	104	208-230/460	13.7	90.2	1.25	16.94	10 : 1	A, US	
1200		215TC	G140535.00	✓	1500	C215T11FC3	142	208-230/460	17.6	87.5	1.15	18.21	2 : 1	S, MX	
1200		215TC	LM32851	C/A	1751	SSF6P5TCN61	80	230/460	—	87.5	1.15	—	2 : 1	S, MX	
7 1/2		3600	184TC	G131510.00	✓	1115	C184T34FC22A	90	208-230/460	16.8	88.5	1.0	15.97	2 : 1	S, MX
	3600	S213TC	G131912.00	✓	1145	C184T34FC24A	91	208-230/460	16.8	88.5	1.0	16.96	2 : 1	S, MX	
	3600	213TC	G151345.60	✓	1224	C213T34FC43	150	208-230/460	17.8	88.5	1.25	18.95	2 : 1	C, CN	
	3600	213TC	LM32852	C/A	1409	SSF2P7.5TCN61	80	230/460	—	88.5	1.15	—	2 : 1	S, MX	
	1800	213TC	G141113.00	✓	1101	C213T17FC9	144	208-230/460	20.4	89.5	1.15	17.71	2 : 1	S, MX	
	1800	213TC	LM16300	C/A	1191	AF4P7.5TCN61	138	230/460	20.0	89.5	1.25	17.20	2 : 1	A, US	
	1800	213TC	LM32853	✓	1237	SSF4P7.5TCN61	103	230/460	20.0	89.5	1.15	19.46	2 : 1	S, MX	
	1800	213TC	G151346.60	✓	1151	C213T17FC42	153	208-230/460	19.2	89.5	1.25	18.95	2 : 1	C, CN	
	1800	213TC	140486.00	✓	1265	C213T17FC7	144	208-230/460	21.4	91.7	1.25	18.70	2 : 1	S, MX	
	1800	213TC	LM16826	C/A	1598	AF4B7.5TCN61	138	230/460	20.0	91.0	1.25	17.48	2 : 1	A, US	
	10	3600	213TC	G140690.00	✓	1408	C215T34FC4	112	208-230/460	23.6	90.2	1.15	20.57	2 : 1	S, MX
		3600	215TC	G151347.60	✓	1437	C215T34FC43	160	208-230/460	23.6	90.2	1.25	20.36	2 : 1	C, CN
3600		215TC	LM24987	C/A	1408	SSF2P10TCN61	102	230/460	24.0	89.5	1.15	20.96	2 : 1	S, MX	
1800		215TC	G140109.00	✓	1272	C215T17FC10	158	208-230/460	26.0	91.0	1.15	20.57	2 : 1	S, MX	
1800		215TC	LM16827	C/A	1889	AF4B10TCN61	149	230/460	—	91.0	1.25	—	10 : 1	A, US	
1800		215TC	LM32855	C/A	1487	SSF4P10TCN61	135	230/460	—	89.5	1.15	—	2 : 1	S, MX	
1800		215TC	140484.00	✓	1527	C215T17FC4	160	208-230/460	26.6	91.7	1.25	19.70	10 : 1	S, MX	
1800		215TC	G151348.60	✓	1354	C215T17FC42	173	208-230/460	25.2	91.0	1.25	20.36	2 : 1	C, CN	
1800		215TC	LM16301	✓	1427	AF4P10TCN61	149	230/460	27.0	89.5	1.25	19.63	2 : 1	A, US	

Green items are Premium Efficient

♥ Note listing on inside back flap

▼ LM Numbers are Lincoln Models

Continued On Next Page

C/A - Check Availability

Specifications are subject to change without notice

View On-line Technical Information



Single Phase
ODP Motors

Single Phase
TEFC Motors

Single Phase
C Face Motors

Three Phase
ODP Motors

Three Phase
TEFC Motors

Three Phase
C Face Motors

Inverter Duty
Motors

Severe Duty
Motors

Explosion Proof
Motors

Three Phase C Face Motors

Totally Enclosed - General Purpose

Three Phase - Totally Enclosed - C Face Less Base - Three Phase

HP	SYN RPM 60 Hz	NEMA Frame	▼ Catalog Number	Stock	List Price	Model Number	App. Wgt. (lbs)	Voltage	F. L. Amps @ 230 V	% F.L. Eff.	Service Factor	"C" Dim. (Inches)	Inverter speed range	♥Notes
15	3600	215TC	G140691.00	√	1891	C215T34FC5	158	208-230/460	36.0	90.2	1.15	20.57	2 : 1	S, MX
		215TC	LM32832	C/A	2283	SSF2P15TCN61	125	230/460	—	90.2	1.15	—	2 : 1	S, MX
		215TC	G151349.60	√	2005	C215T34FC44	240	208-230/460	35.0	90.2	1.25	23.80	2 : 1	C, CN
1800	3600	254TC	G151350.60	√	1942	C254T17FC5	262	208-230/460	37.0	91.0	1.25	23.80	2 : 1	C, CN
		254TC	LM16828	C/A	2586	AF4B15TCN61	221	230/460	40.0	92.4	1.25	23.90	10 : 1	A, US
		254TC	LM16302	√	2090	AF4P15TCN61	221	230/460	39.0	91.0	1.25	23.40	2 : 1	A, US
20	3600	256TC	G151351.60	√	2546	C256T34FC5	252	208-230/460	46.2	90.2	1.25	25.50	2 : 1	C, CN
		256TC	G151352.60	√	2390	C256T17FC4	315	208-230/460	48.2	91.0	1.25	25.50	2 : 1	C, CN
		256TC	LM16829	C/A	3099	AF4B20TCN61	248	230/460	52.0	93.0	1.25	25.57	10 : 1	A, US
		256TC	LM16303	C/A	2460	AF4P20TCN61	248	230/460	54.0	91.0	1.25	25.57	2 : 1	A, US
25	1800	284TC	G151507.60	√	3048	C284T17FC5A	355	208-230/460	58.8	92.4	1.15	26.26	2 : 1	C, CN
		286TC	G151508.60	√	3637	C286T17FC5	422	208-230/460	69.8	92.4	1.15	27.83	2 : 1	C, CN
		324TC	G151509.60	√	4643	C324T17FC5	562	208-230/460	94.0	93.0	1.15	29.53	2 : 1	C, CN
		326TC	G151510.60	√	5375	C326T17FC5	620	208-230/460	118.0	93.0	1.15	31.02	2 : 1	C, CN
		364TC	G151519.60	√	8104	C364T17FC10	689	208-230/460	138.0	95.4	1.15	32.64	2 : 1	C, CN
		30	1800	286TC	G151508.60	√	3637	C286T17FC5	422	208-230/460	69.8	92.4	1.15	27.83

Green items are Premium Efficient

♥ Note listing on inside back flap

▼ LM Numbers are Lincoln Models

C/A - Check Availability

Specifications are subject to change without notice



View On-line Technical Information



Three Phase C Face Motors

Totally Enclosed - General Purpose

Three Phase - Totally Enclosed - C Face With Base

HP	SYN RPM 60 Hz	NEMA Frame	▼ Catalog Number	Stock	List Price	Model Number	App. Wgt. (lbs)	Voltage	F. L. Amps @ 230 V	% F.L. Eff.	Service Factor	"C" Dim. (Inches)	Inverter speed range	♥Notes	
1/4	1800	S56	LM24946	C/A	397	SRF4S0.25TC61	21	230/460	1.3	62.5	1.15	9.94	2 : 1	S, US	
1/3	1800	S56C	102921.00	✓	422	C4T17NK3	18	208-230/460	1.3	77.0	1.15	9.56	2 : 1	S, 12, MX	
	1800	S56C	102922.00	✓	420	C4T17FK11	19	208-230/460	1.3	77.0	1.15	10.19	2 : 1	S, MX	
	1800	S56C	LM24114	✓	439	SRF4S0.33TC61	21	230/460	1.6	65.5	1.15	10.10	2 : 1	S, MX	
	1800	S56C	102697.00	✓	539	C4T17FK5	22	208-230/460	1.3	77.0	1.25	10.19	2 : 1	S, MX	
1200	56C	LM24948	C/A	647	SRF6S0.33TC61	22	230/460	2.2	62.0	1.15	11.31	2 : 1	S, US		
1/2	3600	56C	110182.00	✓	417	C6T344NK1	26	208-230/460	1.6	82.5	1.15	10.40	2 : 1	S, 12, US	
	3600	56C	114142.00	✓	417	C6T34FK46	21	208-230/460	2.6	68.0	1.15	10.81	2 : 1	S, US	
	3600	56C	LM24129	✓	447	SRF2S0.5TC61	22	230/460	2.2	69.0	1.15	11.81	2 : 1	S, US	
	1800	S56C	102919.00	✓	487	C4T17NK2	22	208-230/460	2.0	77.0	1.15	10.06	2 : 1	S, 12, MX	
	1800	S56C	102917.00	✓	487	C4T17FK10	19	208-230/460	2.0	73.0	1.15	10.19	2 : 1	S, MX	
	1800	S56C	LM24074	✓	494	SRF4S0.5TC61	18	230/460	2.2	70.0	1.15	10.69	2 : 1	S, MX	
	1800	S56C	102024.00	✓	580	C4T17FK2	23	208-230/460	1.8	77.0	1.15	10.69	2 : 1	S, MX	
	1200	56C	110914.00	✓	655	C6T11FK1	25	208-230/460	2.4	70.0	1.15	11.31	2 : 1	S, US	
	1200	56C	LM24104	✓	694	SRF6S0.5TC61	24	230/460	2.7	68.0	1.15	11.81	2 : 1	S, MX	
	900	143TC	LM24949	✓	996	SSF8S0.5TC61	31	230/460	2.6	66.0	1.15	13.37	2 : 1	S, US	
3/4	3600	56C	110915.00	✓	451	C6T34FK6	23	208-230/460	2.4	75.5	1.15	10.81	2 : 1	S, US	
	3600	56C	LM24134	✓	491	SRF2S0.75TC61	22	230/460	3.2	74.0	1.15	11.81	2 : 1	S, US	
	1800	56C	110916.00	✓	524	C6T17FK5	22	208-230/460	2.8	77.0	1.15	10.81	2 : 1	S, US	
	1800	S56C	LM24076	✓	527	SRF4S0.75TC61	20	230/460	2.8	75.5	1.15	11.19	2 : 1	S, MX	
	1800	56C	114624.00	✓	623	C6T17FK58	25	208-230/460	2.7	81.5	1.25	11.31	2 : 1	S, US	
	1200	56C	116340.00	✓	686	C6T11FK12	29	208-230/460	3.0	75.5	1.15	11.81	2 : 1	S, US	
	1200	56C	LM24140	✓	709	SRF6S0.75TC61	26	230/460	3.2	74.0	1.15	12.31	2 : 1	S, MX	
	1200	143TC	120485.00	✓	686	C143T11FK2	34	208-230/460	3.0	75.5	1.15	13.25	2 : 1	S, US	
	1200	143TC	LM24273	✓	709	SSF6S0.75TC61	28	230/460	3.2	74.0	1.15	12.37	2 : 1	S, MX	
	900	145TC	LM24265	✓	1134	SSF8S0.75TC61	49	230/460	4.8	70.0	1.15	14.87	2 : 1	S, US	
	1	3600	56C	110181.00	✓	535	C6T34FK1	24	208-230/460	3.2	77.0	1.15	10.81	10 : 1	S, US
		3600	56C	LM24126	✓	566	SRF2S1TC61	25	230/460	3.7	74.0	1.15	11.81	2 : 1	S, US
1800		56C	110912.00	✓	558	C6T17FK6	24	208-230/460	3.6	77.0	1.15	11.31	2 : 1	S, US	
1800		56C	LM24079	✓	546	SRF4S1TC61	28	230/460	3.6	77.0	1.15	12.31	2 : 1	S, MX	
1800		56C	116745.00	✓	878	C6T17FK98	34	208-230/460	3.4	85.5	1.25	12.81	10 : 1	S, US	
1800		143TC	121179.00	✓	878	C143T17FK9	34	208-230/460	3.4	85.5	1.15	13.25	10 : 1	S, US	
1800		143TC	LM32822	✓	741	SSF4B1TC61	41	208-230/460	3.2	85.5	1.25	12.93	10 : 1	S, US	
1800		145TC	121936.00	✓	859	C145T11FK7	47	208-230/460	3.8	81.5	1.25	13.75	10 : 1	S, US	
1200		56HC	LM24349	✓	716	SRF6S1TC61	38	230/460	4.0	78.5	1.15	12.82	2 : 1	S, MX	
1200		145TC	LM32823	✓	884	SSF6B1TC61	47	230/460	3.8	82.5	1.25	14.87	10 : 1	S, US	
900		182TC	LM32692	C/A	1269	AAF8P1TC61	75	230/460	--	74.0	1.15	--	2 : 1	A, US	
900		182TC	LM33566	C/A	1269	AAF8P1TC61AP26	75	230/460	--	74.0	1.15	--	2 : 1	A, MX	

Green items are Premium Efficient

▼ LM Numbers are Lincoln Models

C/A - Check Availability

Specifications are subject to change without notice

♥ Note listing on inside back flap

Continued On Next Page

View On-line Technical Information



Single Phase
ODP Motors

Single Phase
TEFC Motors

Single Phase
C Face Motors

Three Phase
ODP Motors

Three Phase
TEFC Motors

Three Phase
C Face Motors

Inverter Duty
Motors

Severe Duty
Motors

Explosion Proof
Motors

Single Phase
ODP MotorsSingle Phase
TEFC MotorsSingle Phase
C Face MotorsThree Phase
ODP MotorsThree Phase
TEFC MotorsThree Phase
C Face MotorsInverter Duty
MotorsSevere Duty
MotorsExplosion Proof
Motors

Three Phase C Face Motors

Totally Enclosed - General Purpose

Three Phase - Totally Enclosed - C Face With Base

HP	SYN RPM 60 Hz	NEMA Frame	▼ Catalog Number	Stock	List Price	Model Number	App. Wgt. (lbs)	Voltage	F. L. Amps @ 230 V	% F.L. Eff.	Service Factor	"C" Dim. (Inches)	Inverter speed range	♥Notes
1 1/2	3600	56C	110917.00	✓	600	C6T34FK7	29	208-230/460	4.2	81.5	1.15	11.81	2 : 1	S, US
		56C	LM24135	✓	616	SRF2S1.5TC61	41	230/460	4.6	80.0	1.15	11.82	2 : 1	S, US
	3600	143TC	121672.00	✓	793	C143T34FK15	33	208-230/460	3.6	84.0	1.25	13.25	10 : 1	S, US
		143TC	LM32824	C/A	745	SSF2B1.5TC61	41	230/460	4.0	84.0	1.15	13.37	10 : 1	S, US
	1800	56C	110918.00	✓	589	C6T17FK7	30	208-230/460	5.0	78.5	1.15	11.81	2 : 1	S, US
		56HC	LM24095	✓	577	SRF4S1.5TC61	31	230/460	4.8	80.0	1.15	12.32	2 : 1	S, MX
	1800	56C	116746.00	✓	910	C6T17FK96	37	208-230/460	5.6	86.5	1.25	13.31	10 : 1	S, US
		145TC	121180.00	✓	910	C145T17FK26	37	208-230/460	5.6	86.5	1.15	13.75	10 : 1	S, US
	1800	145TC	LM32825	✓	775	SSF4B1.5TC51	44	230/460	4.6	86.5	1.15	14.37	10 : 1	S, US
		56HC	114198.00	✓	790	C6T11FK6	41	208-230/460	5.7	77.0	1.15	13.31	2 : 1	S, US, 47
1200	56HCZ	116592.00	✓	790	C6T11FK15	44	208-230/460	5.7	77.0	1.15	13.75	2 : 1	S, US, 32	
	182TC	LM16728	✓	1048	AAF6B1.5TC61	95	230/460	4.4	87.5	1.25	15.83	10 : 1	A, US	
1200	182TC	LM33567	C/A	1048	AAF6B1.5TC61AP26	95	230/460	4.4	87.5	1.25	15.83	10 : 1	A, MX	
	182TC	LM32826	C/A	1043	SSF6B1.5TC61	54	230/460	--	87.5	1.15	--	10 : 1	S, MX	
900	184TC	LM32827	C/A	1525	AAF8P1.5TC61	75	230/460	--	77.0	1.15	--	2 : 1	A, US	
	184TC	LM33568	C/A	1525	AAF8P1.5TC61AP26	75	230/460	--	77.0	1.15	--	2 : 1	A, MX	
2	3600	56C	113927.00	✓	679	C6T34FK44	34	208-230/460	5.6	82.5	1.15	12.31	2 : 1	S, US
		56HC	LM24121	✓	684	SRF2S2TC61	38	230/460	6.0	82.5	1.15	12.32	2 : 1	S, US
	3600	145TC	121673.00	✓	812	C145T34FK39	44	208-230/460	4.8	85.5	1.25	13.75	10 : 1	S, US
		145TC	LM32828	✓	849	SSF2B2TC61	40	208-230/460	4.8	85.5	1.25	13.43	10 : 1	S, US
	1800	56HC	116106.00	✓	629	C6T17FK76	36	208-230/460	6.2	81.5	1.15	12.81	2 : 1	S, US
		56HC	LM24081	✓	586	SRF4S2TC61	50	230/460	5.2	82.5	1.15	13.82	2 : 1	S, MX
	1800	56HC	116747.00	✓	951	C6T17FK97	43	208-230/460	5.8	86.5	1.25	13.82	10 : 1	S, US
		145TC	121181.00	✓	951	C145T17FK27	43	208-230/460	5.8	86.5	1.25	14.26	10 : 1	S, US
	1800	145TC	LM32829	✓	841	SSF4B2TC61	46	230/460	6.0	86.5	1.15	14.87	10 : 1	S, MX
		184TC	132243.00	✓	1086	C184T11FK6	93	208-230/460	7.2	88.5	1.15	15.96	10 : 1	S, MX
1200	184TC	LM16739	✓	1158	AAF6B2TC61	104	230/460	6.0	88.5	1.25	16.83	10 : 1	A, US	
	184TC	LM33569	C/A	1158	AAF6B2TC61AP26	104	230/460	6.0	88.5	1.25	16.83	10 : 1	A, MX	
1200	184TC	LM32830	C/A	1116	SSF6B2TC61	56	230/460	--	88.5	1.15	--	--	S, MX	
	900	213TC	LM32831	C/A	1802	AAF8P2TC61	107	230/460	7.3	82.5	1.15	17.95	10 : 1	A, US

Green items are Premium Efficient

▼ LM Numbers are Lincoln Models

C/A - Check Availability

Specifications are subject to change without notice

♥ Note listing on inside back flap

Continued On Next Page



View On-line Technical Information



Three Phase C Face Motors

Totally Enclosed - General Purpose

Three Phase - Totally Enclosed - C Face With Base

HP	SYN RPM 60 Hz	NEMA Frame	▼ Catalog Number	Stock	List Price	Model Number	App. Wgt. (lbs)	Voltage	F. L. Amps @ 230 V	% F.L. Eff.	Service Factor	"C" Dim. (Inches)	Inverter speed range	♥ Notes	
3	3600	56HC	114615.00	✓	757	C6T34FK55	38	208-230/460	7.6	84.0	1.15	12.81	2 : 1	S, US, 47	
	3600	56HC	LM24953	C/A	791	SRF2S3TC61	53	230-460	7.2	84.0	1.15	13.32	2 : 1	S, US	
	3600	145TC	121929.00	✓	997	C145T34FK43	45	208-230/460	7.6	86.5	1.15	13.76	10 : 1	S, US	
	3600	182TC	132079.00	✓	1173	C182T34FK10	70	208-230/460	7.6	86.5	1.25	13.96	10 : 1	S, MX	
	3600	182TC	LM16741	✓	1147	AAF2B3TC61	95	230/460	7.6	87.5	1.25	15.83	10 : 1	A, US	
	3600	182TC	LM33570	✓	1147	AAF2B3TC61AP26	95	230/460	7.6	87.5	1.25	15.83	10 : 1	A, MX	
	3600	182TC	171564.60	✓	1163	C182T34FK14A	90	208-230/460	7.6	86.5	1.15	15.89	10 : 1	C, CN	
	3600	182TC	LM62016	✓	1105	CCF2B3TC61AP21	97	230/460	—	86.5	1.25	—	—	C, CN	
	1800	56HC	116107.00	✓	797	C6T17FK77	45	208-230/460	8.6	82.5	1.0	13.81	2 : 1	S, US, 47	
	1800	56HCZ	116388.00	✓	797	C6T17FK90	46	208-230/460	8.6	82.5	1.0	14.25	2 : 1	S, US, 32	
	1800	182TC	131504.00	✓	1027	C182T17FK14	75	208-230/460	7.8	89.5	1.15	14.96	10 : 1	S, MX	
	1800	182TC	LM16742	✓	1007	AAF4B3TC61	75	230/460	8.0	89.5	1.25	15.83	10 : 1	A, US	
	1800	182TC	LM33485	✓	1007	AAF4B3TC61AP26	75	230/460	8.0	89.5	1.25	15.83	10 : 1	A, MX	
	1800	182TC	171565.60	✓	1144	C182T17FK27	104	208-230/460	7.8	89.5	1.15	15.89	10 : 1	C, CN	
	1800	182TC	LM62017	✓	1086	CCF4B3TC61AP21	104	230/460	8.0	90.2	1.15	16.93	10 : 1	C, CN	
	1200	215TC	140834.00	✓	1467	C215T11FK9	170	230/460	9.4	89.5	1.15	18.21	10 : 1	S, MX	
	1200	213TC	LM16744	✓	1648	AF6B3TC61	90	230/460	—	89.5	1.15	—	10 : 1	S, MX	
	1200	213TC	LM32833	C/A	1395	SSF6B3TC61	90	230/460	—	89.5	1.15	—	10 : 1	S, MX	
900	215TC	LM32834	C/A	1905	AF8P3TC61	125	230/460	—	84.0	1.15	—	2 : 1	A, US		
5	3600	184TC	171446.60	✓	1209	C184T34FK44	105	208-230/460	12.0	88.5	1.15	16.80	10 : 1	C, CN	
	3600	184TC	132080.00	✓	1159	C184T34FK32	100	208-230/460	12.0	88.5	1.25	16.46	10 : 1	S, MX	
	3600	184TC	LM16745	✓	1298	AAF2B5TC61	104	230/460	11.8	89.5	1.25	16.83	10 : 1	A, US	
	3600	184TC	LM62019	✓	1148	CCF2B5TC61AP21	105	230/460	12.0	88.5	1.15	16.80	10 : 1	C, CN	
	1800	184TC	171566.60	✓	1187	C184T17FK35	109	208-230/460	12.8	89.5	1.15	16.80	10 : 1	C, CN	
	1800	184TC	131502.00	✓	1112	C184T17FK15	99	208-230/460	12.8	89.5	1.15	15.97	10 : 1	S, MX	
	1800	184TC	LM16747	✓	1167	AAF4B5TC61	104	230/460	12.4	90.2	1.25	16.83	10 : 1	A, US	
	1800	184TC	LM33484	✓	1167	AAF4B5TC61AP26	104	230/460	12.4	90.2	1.25	16.83	10 : 1	A, MX	
	1800	184TC	LM62020	✓	1128	CCF4B5TC61AP21	109	230/460	12.8	89.5	1.25	16.80	10 : 1	C, CN	
	1200	215TC	171116.60	✓	1827	C215T11FB11	180	208-230/460	14.4	89.5	1.15	19.61	10 : 1	C, CN	
	1200	215TC	LM16748	✓	1889	AF6B5TC61	149	230/460	13.8	89.5	1.25	19.45	10 : 1	A, US	
	1200	215TC	LM32835	C/A	1658	SSF6B5TC61	149	230/460	—	89.5	1.15	—	10 : 1	S, MX	
	900	254TC	LM32836	C/A	2666	AF8P5TC61	167	230/460	15.0	87.5	1.15	23.40	10 : 1	A, US	
	7 1/2	3600	184TC	132313.00	C/A	1260	C184T34FK48	103	208-230/460	17.6	89.5	1.15	13.97	10 : 1	S, MX
		3600	213TC	140770.00	✓	1431	C215T34FK11	160	208-230/460	17.8	90.2	1.15	19.64	10 : 1	S, MX
		3600	213TC	LM16750	C/A	1569	AAF2B7.5TC61	138	230/460	17.8	90.2	1.25	19.45	10 : 1	A, US
		3600	213TC	LM32837	✓	1452	SSF2B7.5TC61	110	230/460	17.8	90.2	1.25	20.97	10 : 1	S, MX
		3600	213TC	170166.60	✓	1424	C213T34FK5	156	208-230/460	18.0	89.5	1.15	18.19	10 : 1	C, CN
3600		213TC	LM62085	✓	1352	CCF2B7.5TC61AP21	155	230/460	18.0	89.5	1.25	18.19	10 : 1	C, CN	
1800		213TC	140521.00	✓	1271	C213T17FK7	144	208-230/460	21.4	91.7	1.25	18.70	10 : 1	S, MX	
1800		213TC	LM32838	C/A	1378	SSF4B7.5TC61	135	230/460	18.8	91.7	1.15	19.47	10 : 1	S, MX	
1800		213TC	170165.60	✓	1364	C286T17DK5AA	155	208-230/460	18.6	91.7	1.15	18.19	10 : 1	C, CN	
1800		213TC	LM16752	✓	1535	AF4B7.5TC61	138	230/460	19.2	91.6	1.25	19.45	10 : 1	A, US	
1800		213TC	LM62024	✓	1296	CCF4B7.5TC61AP21	160	230/460	18.6	91.7	1.25	18.19	10 : 1	C, CN	
1200		254TC	170138.60	✓	2631	C254T11FB9	249	208-230/460	22.2	91.0	1.15	23.19	10 : 1	C, CN	
1200		254TC	LM16753	✓	2585	AAF6B7.5TC61	221	230/460	19.8	91.0	1.25	23.40	10 : 1	A, US	
900		256TC	LM32839	✓	3133	AF8P7.5TC61	203	230/460	23.0	86.5	1.15	25.15	10 : 1	A, US	

Green items are Premium Efficient

▼ LM Numbers are Lincoln Models

C/A - Check Availability

Specifications are subject to change without notice

♥ Note listing on inside back flap

Continued On Next Page

View On-line Technical Information



Single Phase
ODP Motors

Single Phase
TEFC Motors

Single Phase
C Face Motors

Three Phase
ODP Motors

Three Phase
TEFC Motors

Three Phase
C Face Motors

Inverter Duty
Motors

Severe Duty
Motors

Explosion Proof
Motors

Three Phase C Face Motors

Totally Enclosed - General Purpose

Three Phase - Totally Enclosed - C Face With Base

HP	SYN RPM 60 Hz	NEMA Frame	▼ Catalog Number	Stock	List Price	Model Number	App. Wgt. (lbs)	Voltage	F. L. Amps @ 230 V	% F.L. Eff.	Service Factor	"C" Dim. (Inches)	Inverter speed range	♥ Notes
10	3600	215TC	140769.00	✓	1618	C213T34FK1	175	208-230/460	23.6	91.7	1.15	21.09	10 : 1	S, MX
	3600	215TC	LM32840	✓	1817	SSF2B10TC1	125	230/460	23.6	91.7	1.25	22.22	10 : 1	S, MX
	3600	215TC	170168.60	✓	1668	C215T34FK15	181	208-230/460	23.4	90.2	1.15	19.61	10 : 1	C, CN
	3600	215TC	LM16755	✓	1889	AF2B10TC61	149	230/460	23.6	91.7	1.25	20.45	10 : 1	A, US
	3600	213TC	LM62025	✓	1585	CCF2B10TC61AP21	181	230/460	—	90.2	1.25	19.61	10 : 1	C, CN
1800	215TC	140522.00	✓	1535	C215T17FK3	160	208-230/460	26.6	91.7	1.25	19.70	10 : 1	S, MX	
	215TC	LM32841	✓	1522	SSF4B10TC61	135	230/460	25.6	91.7	1.25	20.97	10 : 1	S, MX	
	215TC	170167.60	✓	1561	C215T17FK20	177	208-230/460	25.0	91.7	1.15	19.61	10 : 1	C, CN	
	215TC	LM16757	✓	1888	AF4B10TC61A	149	230/460	25.0	91.7	1.25	—	10 : 1	A, US	
	215TC	LM62026	✓	1515	CCF4B10TC61AP21	181	230/460	—	91.7	1.25	19.61	10 : 1	C, CN	
1200	256TC	170139.60	✓	2932	C256T11FB11	300	208-230/460	29.0	91.0	1.15	24.92	10 : 1	C, CN	
	256TC	LM16759	✓	3231	AF6B10TC61	248	230/460	26.2	91.0	1.25	25.15	—	A, US	
15	3600	254TC	171586.60	✓	2560	C254T34FK8	292	208-230/460	34.6	91.7	1.25	23.19	10 : 1	C, CN
	3600	254TC	LM16761	C/A	2585	AF2B15TC61	221	230/460	35.0	91.7	1.25	23.40	—	A, US
	3600	254TC	LM62028	✓	2432	CCF2B15TC61AP21	282	230/460	34.5	92.4	1.25	23.75	10 : 1	C, CN
	1800	254TC	171587.60	✓	2683	C254T17FK8	290	208-230/460	36.0	92.4	1.25	23.19	10 : 1	C, CN
	1800	254TC	LM16762	✓	2660	AF4B15TC61	221	230/460	37.5	92.4	1.25	23.40	10 : 1	A, US
	1800	254TC	LM62029	✓	2550	CCF4B15TC61AP21	280	208-230/460	36.0	92.4	1.25	23.19	10 : 1	C, CN
1200	284TC	170104.60	✓	4368	C284T11FB9	333	208-230/460	40.6	91.7	1.15	26.26	10 : 1	C, CN	
	284TC	LM16764	C/A	4371	AF6B15TC61Y	370	230/460	47.0	1.7	1.25	26.51	10 : 1	A, US	
20	3600	256TC	171588.60	✓	3145	C256T34FK3	326	208-230/460	46.0	92.4	1.25	24.92	10 : 1	C, CN
	3600	256TC	LM16766	C/A	3253	AF2B20TC61	248	230/460	44.0	91.7	1.25	25.57	10 : 1	A, US
	3600	256TC	LM62031	✓	2988	CCF2B20TC61AP21	316	230/460	46.0	92.4	1.15	25.48	10 : 1	C, CN
	1800	256TC	171589.60	✓	3204	C256T17FK8	332	208-230/460	49.0	93.0	1.25	24.92	10 : 1	C, CN
	1800	256TC	LM16767	✓	2892	AF4B20TC61	248	230/460	48.0	93.0	1.25	25.15	10 : 1	A, US
	1800	256TC	LM62032	✓	3043	CCF4B20TC61AP21	332	230/460	50.0	93.0	1.25	25.48	10 : 1	C, CN
1200	286TC	LM16769	✓	5673	AF6B20TC61Y	415	230/460	61.0	91.7	1.25	28.01	10 : 1	A, US	
25	3600	284TC	170619.60	✓	3469	C284T34FK8	393	208-230/460	56.8	93.0	1.15	24.88	10 : 1	C, CN
	3600	284TSC	171590.60	✓	3952	C284T34FK5	393	208-230/460	56.8	93.0	1.25	25.88	10 : 1	C, CN
	3600	284TSC	LM16770	C/A	4375	AF2B25TSC61Y	370	230/460	56.0	91.7	1.25	25.13	10 : 1	A, US
	3600	284TSC	LM62034	✓	3754	CCF2B25TSC61AP21	383	230/460	56.8	91.7	1.25	24.88	10 : 1	C, CN
	1800	284TC	171591.60	✓	4089	C284T17FK5	395	208-230/460	59.0	94.0	1.25	26.26	10 : 1	C, CN
	1800	284TC	LM16772	✓	3878	AF4B25TC61Y	370	230/460	64.0	93.6	1.25	26.51	10 : 1	A, US
	1800	284TSC	LM32654	✓	3855	AF4B25TSC61Y	370	230/460	65.0	93.6	1.25	25.13	10 : 1	A, US
	1800	284TC	LM62035	✓	3885	CCF4B25TC61AP21	385	230/460	59.0	93.6	1.25	26.26	10 : 1	C, CN
1200	324TC	LM13723	C/A	6880	SF6B25TC61Y	514	230/460	64.0	92.4	1.25	28.94	10 : 1	S, US	

Green items are Premium Efficient

♥ Note listing on inside back flap

▼ LM Numbers are Lincoln Models

Continued On Next Page

C/A - Check Availability

Specifications are subject to change without notice



View On-line Technical Information



Three Phase C Face Motors

Totally Enclosed - General Purpose

Three Phase - Totally Enclosed - C Face With Base

HP	SYN RPM 60 Hz	NEMA Frame	▼ Catalog Number	Stock	List Price	Model Number	App. Wgt. (lbs)	Voltage	F. L. Amps @ 230 V	% F.L. Eff.	Service Factor	"C" Dim. (Inches)	Inverter speed range	♥ Notes
30	3600	286TSC	170108.60	✓	4093	C286T34FK14	400	208-230/460	69.2	93.0	1.15	27.83	10 : 1	C, CN
	3600	286TSC	LM16773	C/A	5035	AF2B30TSC61Y	415	230/460	66.0	92.4	1.25	26.63	10 : 1	A, US
	3600	286TC	170620.60	✓	4093	C286T34FK11	400	208-230/460	69.2	93.0	1.15	26.46	10 : 1	C, CN
	1800	286TC	171592.60	✓	4927	C286T17FK4	442	208-230/460	70.0	93.6	1.25	27.83	10 : 1	C, CN
	1800	286TC	LM16774	✓	5039	AF4B30TC61Y	415	230/460	75.0	93.6	1.25	28.01	10 : 1	A, US
	1800	286TSC	LM32842	✓	5039	AF430TSC61Y	415	230/460	75.0	93.6	1.25	26.63	10 : 1	A, US
	1800	286TC	LM62038	✓	4680	CCF4B30TC61AP21	432	230/460	70.0	93.6	1.25	27.83	10 : 1	C, CN
	1200	326TC	LM13724	C/A	7241	SF6B30TC61Y	568	230/460	76.0	93.0	1.25	30.44	10 : 1	S, US
40	3600	324TSC	170110.60	✓	6036	C324T34FK8	574	208-230/460	89.0	93.6	1.15	28.03	10 : 1	C, CN
	3600	324TSC	LM13725	C/A	7519	SF2B40TSC61Y	514	230/460	110.0	93.6	1.25	27.44	10 : 1	S, US
	1800	324TC	171593.60	✓	6369	C324T17FK5	538	208-230/460	92.0	94.1	1.15	29.53	10 : 1	C, CN
	1800	324TC	LM13726	✓	7294	SF4B40TC61Y	514	230/460	101.0	94.1	1.25	28.94	10 : 1	S, US
	1800	324TSC	LM32652	✓	7294	SF4B40TSC61Y	574	230/460	102.0	94.1	1.25	27.44	10 : 1	S, US
	1800	324TC	LM62041	✓	6051	CCF4B40TC61AP21	530	230/460	92.0	94.1	1.15	29.53	10 : 1	C, CN
	1200	364TC	LM15565	✓	9553	SF6B40TC61Y	777	230/460	112.0	93.6	1.25	31.89	10 : 1	S, US
50	3600	326TSC	170112.60	✓	6212	C326T34FK5	604	208-230/460	112.0	93.0	1.15	29.53	10 : 1	C, CN
	3600	326TSC	LM13727	✓	7686	SF2B50TSC61Y	568	230/460	111.0	94.1	1.25	28.94	10 : 1	S, US
	1800	326TC	171594.60	✓	6997	C326T17FK5	597	208-230/460	117.0	94.5	1.25	31.02	10 : 1	C, CN
	1800	326TC	LM13728	✓	7018	SF4B59TC61Y	568	230/460	127.0	94.5	1.25	30.44	10 : 1	S, US
	1800	326TSC	LM32843	✓	7018	SF4B50TSC61Y	568	230/460	122.0	94.5	1.25	28.94	10 : 1	S, US
	1800	326TC	LM62044	✓	6646	CCF4B50TC61AP21	590	230/460	117.0	94.5	1.25	31.02	10 : 1	C, CN
	1200	365TC	LM15568	✓	10664	SF6B50TC61Y	834	230/460	138.0	94.1	1.25	32.89	10 : 1	S, US
60	3600	364TSC	170114.60	✓	10154	C364T34FK3	860	208-230/460	139.0	93.6	1.15	30.51	10 : 1	C, CN
	3600	364TSC	LM15562	C/A	10705	SF2B60TSCC61Y	777	230/460	164.0	95.0	1.25	29.77	10 : 1	S, US
	1800	364TC	171595.60	✓	11095	C364T17FK5	676	208-230/460	137.0	95.4	1.25	32.64	10 : 1	C, CN
	1800	364TC	LM15563	✓	9870	SF4B60TC61Y	777	230/460	145.0	95.0	1.25	31.89	10 : 1	S, US
	1800	364TSC	LM32665	✓	9870	SF4B60TSC61Y	777	230/460	145.0	95.0	1.25	29.77	10 : 1	S, US
	1800	364TC	LM62047	✓	10540	CCF4B60TC61AP21	666	230/460	137.0	95.0	1.25	32.64	10 : 1	C, CN
	1200	404TC	LM16716	C/A	12536	SF6B60TC61Y	834	230/460	171.0	94.5	1.15	35.37	2 : 1	S, US
	75	3600	365TSC	171115.60	✓	12192	C365T34FK3	773	208-230/460	172.0	93.6	1.15	31.49	10 : 1
3600		365TSC	LM15566	C/A	12284	SF2B75TSC61Y	834	230/460	164.0	95.0	1.25	30.77	10 : 1	S, US
1800		365TC	171596.60	✓	12766	C365T17FK6	743	208-230/460	170.0	95.8	1.25	33.62	10 : 1	C, CN
1800		365TC	LM15567	✓	11919	SF4B75TC61Y	834	230/460	178.0	95.4	1.15	32.89	10 : 1	S, US
1800		365TSC	LM32653	✓	11919	SF4B75TSC61Y	834	230/460	178.0	95.4	1.15	30.77	10 : 1	S, US
1800		365TC	LM62050	✓	12128	CCF4B75TC61AP21	733	230/460	170.0	95.8	1.25	33.62	10 : 1	C, CN
1200		405TC	LM16717	C/A	16078	SF6B75TC61Y	1018	230/460	--	94.5	--	--	--	S, US

Green items are Premium Efficient

▼ LM Numbers are Lincoln Models

C/A - Check Availability

Specifications are subject to change without notice

♥ Note listing on inside back flap

Continued On Next Page

View On-line Technical Information



Single Phase
ODP Motors

Single Phase
TEFC Motors

Single Phase
C Face Motors

Three Phase
ODP Motors

Three Phase
TEFC Motors

Three Phase
C Face Motors

Inverter Duty
Motors

Severe Duty
Motors

Explosion Proof
Motors

Three Phase C Face Motors

Totally Enclosed - General Purpose

Three Phase - Totally Enclosed - C Face With Base

HP	SYN RPM 60 Hz	NEMA Frame	▼ Catalog Number	Stock	List Price	Model Number	App. Wgt. (lbs)	Voltage	F. L. Amps @ 230 V	% F.L. Eff.	Service Factor	"C" Dim. (Inches)	Inverter speed range	♥ Notes	
100	3600	405TSC	LM16719	✓	17140	SF2B100TSC61Y	1018	230/460	210.0	94.5	1.15	33.87	2 : 1	S, US	
	1800	405TC	171597.60	✓	15632	C405T17FK2	1002	208-230/460	225.0	95.4	1.15	37.91	2 : 1	C, CN	
	1800	405TC	LM15263	✓	14407	SF4B100TC61Y	1018	230/460	244.0	95.4	1.15	36.87	2 : 1	S, US	
	1800	405TSC	LM32659	✓	14407	SF4B100TSC61Y	1372	230/460	244.0	95.4	1.15	33.87	2 : 1	S, US	
	1800	405TC	LM62053	✓	14851	CCF4B100TC61AP21	733	230/460	225.0	95.4	1.15	37.91	2 : 1	C, CN	
1200	444TC	LM13729	C/A	20527	SF6B100TC64Y	1372	460	---	95.4	---	---	---	---	S, US	
	125	3600	444TSC	LM13730	C/A	21951	SF2B125TSC64Y	1372	460	133.0*	95.0	1.15	37.74	2 : 1	S, US
	1800	444TC	LM13731	C/A	19183	SF4B125TC64Y	1372	460	146.0*	96.2	1.15	41.49	2 : 1	S, US	
	1800	444TSC	LM32844	✓	19183	SF4B125TSC64Y	1372	460	146.0*	96.2	1.15	37.74	2 : 1	S, US	
1200	4445TC	LM13732	C/A	24733	SF6B125TC64Y	1552	460	168.0*	94.5	1.15	43.49	2 : 1	S, US		
	150	3600	445TSC	LM13733	C/A	27095	SF2B150TSC64Y	1552	460	163.0*	95.8	1.15	39.74	2 : 1	S, US
	1800	445TC	LM13734	✓	22092	SF4B150TC64Y	1552	460	168.0*	96.2	1.15	39.74	2 : 1	S, US	
	1800	445TSC	LM32845	✓	22092	SF4B150TSC64Y	1525	460	168.0*	96.2	1.15	39.74	2 : 1	S, US	
1200	447TC	LM13735	C/A	28853	SF6B150TC64Y	1552	460	---	95.8	---	---	---	---	S, US	
	200	3600	445TSC	LM13736	C/A	33972	SF2B200TSC64Y	1552	460	212.0*	96.2	1.15	39.74	2 : 1	S, US
	1800	445TC	LM13737	✓	27128	SF4B200TC64Y	1525	460	227.0*	96.2	1.15	43.49	2 : 1	S, US	
	1800	445TSC	LM32660	✓	27128	SF4B200TSC64Y	1525	460	227.0*	96.2	1.15	39.74	2 : 1	S, US	
250	3600	447TSC	LM13739	C/A	40929	SF2B250TSC64Y	1833	460	---	96.2	---	---	---	S, US	
	3600	447TSC	LM13582	C/A	32593	SF2P250TSC64Y	1833	460	---	95.4	---	---	---	S, US	
	1800	447TC	LM13740	C/A	33805	SF4B250TC64Y	1833	460	282.0*	95.4	1.15	46.99	---	S, US	
	1800	447TC	LM13583	C/A	28177	SF4P250TC64Y	1833	460	283.0*	95.0	1.15	46.99	2 : 1	S, US	
300	3600	449TSC	LM13742	C/A	53282	SF2B300TSC64Y	2206	460	---	96.2	---	---	---	S, US	
	3600	449TSC	LM13585	C/A	39644	SF2P300TSC64Y	2206	460	---	95.4	---	---	---	S, US	
	1800	449TC	LM13743	C/A	36923	SF4B300TC64Y	1833	460	237.0*	95.2	1.00	51.99	2 : 1	S, US	
	1800	449TC	LM19193	✓	30868	SF4P300TC64Y	2206	460	338.0*	95.0	1.00	51.99	2 : 1	S, US	
1800	447TC	LM15308	C/A	29442	SF4P300TC64Y	1833	460	353.0*	95.4	1.00	46.99	2 : 1	S, US		
	350	3600	449TSC	LM13745	C/A	55179	SF2B350TSC64Y	2206	460	---	95.8	---	---	---	S, US
	3600	449TSC	LM13588	C/A	43875	SF2P350TSC64Y	2206	460	---	95.4	---	---	---	S, US	
	1800	449TC	LM13746	C/A	45383	SF4B350TC64Y	2206	460	---	96.2	1.15	---	---	S, US	
1800	449TC	LM15400	C/A	30460	SF4P350TC64Y	2206	460	395.0*	95.4	1.15	51.99	2 : 1	S, US		
	400	3600	449TSC	LM13747	C/A	67197	SF2B400TSC64Y	2206	460	---	95.8	---	---	---	S, US
	3600	449TSC	LM13590	C/A	53397	SF2P400TSC64Y	2206	460	---	94.1	---	---	---	S, US	
	1800	449TC	LM13748	C/A	52062	SF4B400TC64Y	2206	460	449.0*	96.2	1.15	52.08	2 : 1	S, US	
1800	449TC	LM13591	C/A	39988	SF4P400TC64Y	2206	460	477.0*	95.4	1.00	51.99	2 : 1	S, US		

Green items are Premium Efficient

♥ Note listing on inside back flap

* F.L. Amps at 460V

▼ LM Numbers are Lincoln Models

C/A - Check Availability

Specifications are subject to change without notice



View On-line Technical Information



Three Phase C Face Motors

FHP Motors for AC Drives

Features:

- Compact 48-frame design with keyed shaft
- Class F insulation
- 20:1 constant torque rated
- Inverter IRIS™ insulation system
- 1/2" diameter keyed shaft with 48-C Face
- 115/230V three phase design optimized for FHP drives



Three Phase - TEFC - C Face With Base

HP	SYN RPM 60 Hz	NEMA Frame	Catalog Number	Stock	List Price	Model Number	App. Wgt. (lbs)	Voltage	F. L. Amps @ 230 V	% F.L. Eff.	Service Factor	"C" Dim. (Inches)	Inverter speed range	♥Notes
1/6	1800	48CZ	102792.00	√	336	C4T17FK7	25	115/230	1.3	56.0	1.15	8.94	20 : 1	S, MX
1/4	1800	48CZ	102793.00	√	381	C4T17FK8	26	115/230	1.4	58.0	1.15	8.94	20 : 1	S, MX
1/3	1800	48CZ	102794.00	√	416	C4T17FK6	28	115/230	1.6	64.3	1.15	9.19	20 : 1	S, MX
1/2	1800	48CZ	102795.00	√	466	C4T17FK9	30	115/230	1.8	77.0	1.15	10.19	20 : 1	S, MX

Specifications are subject to change without notice

♥ Note listing on inside back flap

Single Phase
ODP Motors

Single Phase
TEFC Motors

Single Phase
C Face Motors

Three Phase
ODP Motors

Three Phase
TEFC Motors

Three Phase
C Face Motors

Inverter Duty
Motors

Severe Duty
Motors

Explosion Proof
Motors

View On-line Technical Information



Inverter Duty Motors

Single Phase
ODP Motors

Single Phase
TEFC Motors

Single Phase
C Face Motors

Three Phase
ODP Motors

Three Phase
TEFC Motors

Three Phase
C Face Motors

Inverter Duty
Motors

Severe Duty
Motors

Explosion Proof
Motors



- Ideally suited for IGBT power
- Inverter duty insulation system
- Over temperature protection
- Speedmaster® and CTAC® models – 2000 : 1 speed range
- Provisions for encoder mounting
- Lincoln Vector duty CTAC® models include 1024 ppr encoder
- Drip-proof and totally enclosed models available
- Precision balanced rotor assemblies
- Made in the U.S.A.
- 3-year warranty

Applications:

For use in constant torque (conveyors, machine tools) or variable torque (pumps, fans) variable speed applications within the stated speed range of the motor.



Inverter Duty Motors / Vector Duty Motors - 2000:1 Speed Range With Encoder mounting provisions

Features:

- Class H inverter rated insulation system
- Constant torque operation from 0 to base RPM rating with vector drives
- C Face with rigid base through 100 HP on LEESON models, Lincoln models through 10 HP
- TEBC designs utilize 3-phase blower motors
- Normally enclosed thermostats
- Cast iron, Steel and Aluminum frame construction - see Notes
- Provisions for Encoder feedback devices
- Precision balanced rotors
- UL recognized and CSA certified
- 3-year warranty

Three Phase - Totally Enclosed - Rigid Base & Rigid C Face

HP	SYN RPM 60 Hz	NEMA Frame	▼ Catalog Number	Stock	List Price	Model Number	App. Wgt. (lbs)	Voltage	F. L. Amps @ 230 V	Max. RPM	Service Factor	"C" Dim. (Inches)	Inverter speed range	♥ Notes
1/3	1800	56C	LM10336	✓	547	SRF4S0.33TC61Q20	26	230/460	1.6	4000	1.0	11.31	10 : 1	S, US, 13
1/2	1800	56C	LM24264	C/A	630	SRF4S0.5TC61Q20	24	230/460	2.4	4000	1.0	11.81	10 : 1	S, US, 13
	1200	56HC	LM10338	✓	748	SRF6S0.5TC61Q20	41	230/460	2.6	4000	1.0	12.32	10 : 1	S, US, 13
3/4	1800	56HC	LM10339	✓	710	SRF4S0.75TC61Q20	25	230/460	3.0	4000	1.0	11.82	10 : 1	S, US, 13
1	1800	56HC	LM10340	✓	1,367	SRF4S1TC61Q20	62	230/460	3.6	4000	1.0	12.32	10 : 1	S, US, 13
	1800	143TC	810548.00	✓	1,445	143THTN8037	61	230/460	3.0	5400	1.0	13.68	2000 : 1	C, US, 12
	1800	145TC	LM26359	✓	1,384	SSN4S1TC61Q10	62	230/460	4.0	5000	1.0	15.39	2000 : 1	S, US, 12
	1200	182TC	LM06103	✓	1,567	AAN6S1TC61Q10	78	230/460	3.6	4800	1.0	12.94	2000 : 1	A, US, 12
	900	184TC	LM06105	C/A	1,955	AAN8S1TC61Q10	100	230/460	5.0	4800	1.2	16.57	2000 : 1	A, US, 12
1 1/2	1800	145TC	810547.00	✓	1,592	145THTN8044	68	230/460	4.6	5400	1.0	14.68	2000 : 1	C, US, 12
	1800	145TC	LM26233	C/A	1,537	SSN4S1.5TC61Q10	65	230/460	4.8	5000	1.0	15.39	2000 : 1	S, US, 12
	1200	184TC	LM06109	C/A	1,690	AAN6S1.5TC61Q10	90	230/460	—	4800	1.0	—	2000 : 1	A, US, 12
	900	213TC	LM06111	C/A	2,731	AN8S1.5TC61Q10	121	230/460	—	4600	1.0	—	2000 : 1	A, US, 12
2	1800	145TC	810546.00	✓	1,663	145THTN8045	70	230/460	6.0	5400	1.0	14.68	2000 : 1	C, US, 12
	1800	182TC	LM06113	✓	1,669	AAN4S2TC61Q10	74	230/460	6.0	4800	1.0	15.57	2000 : 1	A, US, 12
	1200	213TC	LM06115	C/A	2,313	AN6S2TC61Q10	121	230/460	7.6	4600	1.0	—	2000 : 1	A, US, 12
	900	215TC	LM06117	C/A	3,077	AN8S2TC61Q10	121	230/460	7.6	4600	1.0	—	2000 : 1	A, US, 12
3	1800	182TC	811320.00	✓	1,987	182THTS8051	110	230/460	8.0	5400	1.0	16.68	2000 : 1	C, US, 12
	1800	184TC	LM06119	✓	1,941	AAN4S3TC61Q10	94	230/460	8.4	4800	1.0	16.57	2000 : 1	A, US, 12
	1200	215TC	LM06121	C/A	3,096	AN5S3TC61Q10	135	230/460	12.0	4600	1.0	18.56	2000 : 1	A, US, 12
	900	254TC	LM06123	C/A	5,475	AN8S3TC61Q10	186	230/460	—	4400	1.0	—	2000 : 1	A, US, 12
5	1800	184TC	811322.00	✓	2,202	184THTS8058	118	230/460	13.4	5400	1.0	17.69	2000 : 1	C, US, 12
	1800	213TC	LM06125	✓	2,227	AN4S5TC61Q10	115	230/460	15.6	4600	1.0	17.94	2000 : 1	A, US, 12
	1200	254TC	LM06127	C/A	4,966	AN6S5TC61Q10	200	23/460	—	4400	1.0	—	2000 : 1	A, US, 12
	900	256TC	LM06129	C/A	6,400	AN8S5TC61Q10	219	230/460	—	4400	1.0	—	2000 : 1	A, US, 12
7 1/2	1800	213TC	810157.00	✓	2,961	213THTS8070	180	230/460	21.0	4200	1.0	20.56	2000 : 1	C, US, 12
	1800	215TC	LM06131	C/A	2,970	AN4S7.5TC61Q10	115	230/460	21.0	4600	1.2	20.54	2000 : 1	A, US, 12
	1200	256TC	LM06133	C/A	5,698	AN6S7.5TC61Q10	219	230/460	—	4400	1.2	—	2000 : 1	A, US, 12
10	1800	215TC	810140.00	✓	3,499	215THTS8070	290	230/460	26.0	4200	1.0	22.74	2000 : 1	C, US, 12
	1800	256TC	LM06135	✓	3,212	AN4S10TC61Q10	263	230/460	27.0	4400	1.2	24.88	2000 : 1	A, US, 12

▼ LM Numbers are Lincoln Models

♥ Note listing on inside back flap

TC Frame motors have C Face Endshields

Continued On Next Page

C/A - Check Availability

Specifications are subject to change without notice

View On-line Technical Information



Single Phase
ODP Motors

Single Phase
TEFC Motors

Single Phase
C Face Motors

Three Phase
ODP Motors

Three Phase
TEFC Motors

Three Phase
C Face Motors

Inverter Duty
Motors

Severe Duty
Motors

Explosion Proof
Motors

Inverter Duty Motors

Inverter Duty Motors / Vector Duty Motors - 2000:1 Speed Range

With Encoder mounting provisions

Three Phase - Totally Enclosed - Rigid Base & Rigid C Face

HP	SYN RPM 60 Hz	NEMA Frame	▼ Catalog Number	Stock	List Price	Model Number	App. Wgt. (lbs)	Voltage	F. L. Amps @ 230 V	Max. RPM	Service Factor	"C" Dim. (Inches)	Inverter speed range	♥ Notes
15	1800	254TC	810066.00	✓	4,195	254THTNA8060	320	230/460	39.0	4200	1.0	25.12	2000 : 1	C, US, 12
	1200	284T	LM03140	C/A	8,791	SB6H15T61Q10	350	230/461	40.0	4200	1.0	37.48	2000 : 1	S, US, 11
	1200	284TC	810068.00	✓	8,860	284THTPA7090	440	230/460	40.0	3600	1.0	37.48	2000 : 1	C, US, 11
20	1800	256TC	810007.00	✓	5,716	256THTNA8070	435	230/460	52.0	4200	1.0	27.13	2000 : 1	C, US, 12
	1200	286T	LM03156	C/A	9,893	SB6H20T61Q10	420	230/461	—	4200	1.0	37.48	2000 : 1	S, US, 11
	1200	286TC	810001.00	✓	10,615	286THFPA8090	450	230/460	52.4	3600	1.0	37.48	2000 : 1	C, US, 11
25	1800	284TC	810011.00	C/A	7,124	284THFPA8060	438	230/460	65.0	3600	1.0	37.48	2000 : 1	C, US, 11
	1800	284T	LM03188	C/A	5,577	SB4H25T61Q10	350	230/460	—	4200	1.0	37.48	2000 : 1	S, US, 11
	1200	324T	LM03204	C/A	11,369	SB6H25T61Q10	490	230/460	—	400	1.0	40.41	2000 : 1	S, US, 11
30	1200	324TC	810003.00	✓	12,487	324THFPA8090	620	230/460	67.0	3600	1.0	40.41	2000 : 1	C, US, 11
	1800	286TC	810015.00	✓	7,845	286THFPA8040	520	230/460	74.0	4200	1.0	38.98	2000 : 1	C, US, 11
	1800	286T	LM03236	C/A	6,410	SB4H30T61Q10	420	230/460	74.0	4200	1.0	—	2000 : 1	S, US, 11
40	1200	326T	LM03252	C/A	12,636	SB6H30T61Q10	550	230/460	—	400	1.0	—	2000 : 1	S, US, 11
	1200	326TC	810005.00	✓	13,742	326THFPA8090	700	230/460	82.0	3600	1.0	41.91	2000 : 1	C, US, 11
	1800	324TC	810019.00	✓	9,922	324THFPA8050	620	230/460	100.0	3600	1.0	40.41	2000 : 1	C, US, 11
50	1800	324T	LM03284	✓	8,635	SB4H40T61Q10	420	230/460	98.0	4000	1.0	44.91	2000 : 1	S, US, 11
	1200	364T	LM03300	C/A	15,127	SB6H40T61YQ10	670	230/460	—	3800	1.0	—	2000 : 1	S, US, 11
	1200	364T	810096.00	✓	16,572	364THFS18079	975	230/460	104.0	2700	1.0	42.78	2000 : 1	C, US, 11
60	1800	326TC	810023.00	✓	11,704	326THFPA8040	640	230/460	120.0	3600	1.0	41.91	2000 : 1	C, US, 11
	1800	326T	LM03332	C/A	9,697	SB4H50T61Q10	490	230/460	129.0	4000	1.0	44.91	2000 : 1	S, US, 11
	1200	365T	LM03348	C/A	18,496	SB6H50T61YQ10	740	230/460	—	3800	1.0	—	2000 : 1	S, US, 11
75	1200	365TC	810097.00	C/A	19,866	365THFS8397	1029	230/460	180.0	2700	1.0	43.78	2000 : 1	C, US, 11
	1800	364TC	810027.00	✓	15,063	364THFS8059	975	230/460	147.0	2700	1.0	42.78	2000 : 1	C, US, 11
	1800	364T	LM03376	C/A	11,372	SB4H60T61Q10	670	230/460	—	3800	1.0	—	2000 : 1	S, US, 11
100	1200	404T	LM03396	C/A	19,417	SB6H60T61Q10	880	230/460	—	3600	1.0	—	2000 : 1	S, US, 11
	1200	404TC	810098.00	✓	22,040	404THFS8378	1322	230/460	142.0	2700	1.0	46.72	2000 : 1	C, US, 11
	1800	365TC	810031.00	✓	18,063	365THFS8074	1050	230/460	180.0	2700	1.0	43.78	2000 : 1	C, US, 11
125	1800	365T	LM03424	C/A	13,402	SB4H75T61YQ10	740	230/460	177.0	3800	1.0	—	2000 : 1	S, US, 11
	1200	405T	LM03444	C/A	24,439	SB6H75T61YQ10	1000	230/460	—	3600	1.0	—	2000 : 1	S, US, 11
	1200	405TC	810099.00	C/A	26,853	405THFS8386	1350	230/460	180.0	2700	1.0	49.28	2000 : 1	C, US, 11
150	1800	405TC	810087.00	C/A	22,006	405THFS8329	1400	230/460	230.0	2700	1.0	49.28	2000 : 1	C, US, 11
	1800	405T	LM03472	C/A	20,265	SB4H100T61YQ10	1000	230/460	—	3600	1.0	—	2000 : 1	S, US, 11
	1200	444T	LM03490	C/A	25,873	SB6H100T64YQ10	1290	230/460	—	3000	1.0	—	2000 : 1	S, US, 11
200	1200	444TC	811367.00	C/A	30,531	444THFN8389	2050	230/460	250.0	2700	1.0	52.72	2000 : 1	C, US, 11
	1800	444T	811369.00	C/A	27,752	444THFN8050	2000	460	138*	2700	1.0	52.72	2000 : 1	C, US, 11
	1800	444T	LM03516	C/A	26,947	SB4H125T64YQ10	1290	460	138*	3000	1.0	52.72	2000 : 1	S, US, 11
250	1200	445T	LM03536	C/A	32,979	SB6H125T64YQ10	1780	460	—	3000	1.0	—	2000 : 1	S, US, 11
	1800	445T	811371.00	C/A	31,487	445THFN8334	2321	460	170*	2700	1.0	54.72	2000 : 1	C, US, 11
	1800	445T	LM03564	C/A	32,117	SB4H150T64YQ10	1480	460	165*	3000	1.0	59.85	2000 : 1	S, US, 11
300	1800	445T	810503.00	C/A	37,271	445THFN8335	2450	460	230*	2700	1.0	54.72	2000 : 1	C, US, 11
	1800	445T	LM03596	C/A	33,961	SB4H200T64YQ10	3000	460	230*	3000	1.0	54.72	2000 : 1	S, US, 11
	250	1800	449T	811516.00	C/A	49,380	449THFS8328	3210	460	295*	2700	1.0	63.21	2000 : 1
350	1800	449T	811529.00	C/A	62,594	449THFS8329	3410	460	330*	2700	1.0	63.21	2000 : 1	C, US, 11
	1800	449T	811530.00	C/A	76,351	449THFS8330	3520	460	385*	2700	1.0	63.21	2000 : 1	C, US, 11

* Amps at 460 Volt

♥ Note listing on inside back flap

▼ LM Numbers are Lincoln Models

TC Frame motors have C Face Endshields

C/A - Check Availability

Specifications are subject to change without notice



View On-line Technical Information



Encoder Kits For Speedmaster® 81,000 Series 2000:1 Motors

Description	Enclosure	Frame	Brand/Model	PPR	Catalog Number	List Price
Encoders						
Modular Mount, 5-15 VDC, with EPIC connector	TENV	143-256T	Northstar SL56	1024	E175927.00	3206
Shaft Mount, 5-26 VDC, with 10 pin connector	TENV	143-256T	Dynapar HS35	1024	E175928.00	2059
Shaft Mount, 5-26 VDC, with 10 pin connector	TENV	143-256T	BEI HS35	1024	E175929.00	2059
Shaft Mount, 5-26 VDC, with 10 pin connector	TENV	143-256T	Dynapar HS35	2048	E175930.00	2059
Shaft Mount, 5-26 VDC, with 10 pin connector	TENV	143-256T	BEI HS35	2048	E175931.00	2059
Modular Mount, 5-15 VDC (Encoder Conduit Box Required)	TEBC	284-449T	Northstar SL56	1024	E175921.00	3206
Shaft Mount, 5-26 VDC (Encoder Conduit Box Required)	TEBC	284-449T	Dynapar HS35	1024	E175922.00	2059
Shaft Mount, 5-26 VDC (Encoder Conduit Box Required)	TEBC	284-449T	BEI HS35	1024	E175923.00	2059
Shaft Mount, 5-26 VDC (Encoder Conduit Box Required)	TEBC	284-449T	Dynapar HS35	2048	E175924.00	2059
Shaft Mount, 5-26 VDC (Encoder Conduit Box Required)	TEBC	284-449T	BEI HS35	2048	E175925.00	2059
Conduit Box Required for all TEBC Units	--	--	--	--	ECB175926.00	229

Shipped separately for field installation.

Single Phase
ODP Motors

Single Phase
TEFC Motors

Single Phase
C Face Motors

Three Phase
ODP Motors

Three Phase
TEFC Motors

Three Phase
C Face Motors

Inverter Duty
Motors

Severe Duty
Motors

Explosion Proof
Motors



Inverter Duty Motors

Vector Duty Motors - 2000:1 Speed Range With 1024 ppr Encoder



Features:

- Inverter duty insulation system
- Constant HP range at 2x base speed 56 - 256T frames
- Constant HP range at 1.5x base speed 284T - 445T frames
- Includes 1024 ppr encoder with differential line driver
- Normally enclosed thermostats
- Steel and Aluminum frame construction - see Notes
- C Face designs through 10 HP
- Precision balanced rotors

Three Phase - Totally Enclosed - Rigid Base & Rigid C Face

HP	SYN RPM 60 Hz	NEMA Frame	▼ Catalog Number	Stock	List Price	Model Number	App. Wgt. (lbs)	Voltage	F. L. Amps @ 230 V	Max. RPM	Service Factor	"C" Dim. (Inches)	Inverter speed range	♥ Notes
1/3	1800	56C	LM10346	✓	2,065	SRN4S0.33TC61Q15	43	230/460	1.0	5000	1.0	14.47	2000 : 1	S, US, 12
1/2	1800	56C	LM10347	✓	2,157	SRN4S0.5TC61Q15	43	230/460	1.6	5000	1.0	14.47	2000 : 1	S, US, 12
	1200	56HC	LM10348	C/A	2,265	SRN6S0.5TC61Q15	43	230/460	1.9	5000	1.0	15.47	2000 : 1	S, US, 12
3/4	1800	56HC	LM10349	✓	2,231	SRN4S0.75TC61Q15	54	230/460	2.6	5000	1.0	15.97	2000 : 1	S, US, 12
1	1800	56HC	LM10350	✓	3,042	SRN4S1TC61Q15	54	230/460	3.2	5000	1.0	15.97	2000 : 1	S, US, 12
	1800	145TC	LM26109	C/A	3,042	SSN4S1TC61Q15	82	230/460	3.0	5000	1.0	16.03	2000 : 1	S, US, 12
	1200	182TC	LM03973	C/A	3,725	AAN6S1TC61Q15	98	230/460	3.6	4800	1.0	16.24	2000 : 1	A, US, 12
	900	184TC	LM03975	C/A	3,654	AAN8S1TC61Q15	110	230/460	—	4800	1.0	—	2000 : 1	A, US, 12
1.5	1800	145TC	LM26278	C/A	3,268	SSN4S1.5TC61Q15	85	230/460	4.8	5000	1.0	17.03	2000 : 1	S, US, 12
	1200	184TC	LM03981	C/A	3,393	AAN6S1.5TC61Q15	110	230/460	—	4800	1.0	—	2000 : 1	A, US, 12
	900	213TC	LM03983	C/A	4,431	AN8S1.5TC61Q15	141	230/460	—	4600	1.0	—	2000 : 1	A, US, 12
2	1800	182TC	LM03987	✓	3,367	AAN4S2TC61Q15	98	230/460	6.0	4800	1.0	18.34	2000 : 1	A, US, 12
	1200	213TC	LM03989	C/A	4,017	AN6S2TC61Q15	141	230/460	—	4600	1.0	—	2000 : 1	A, US, 12
	900	215TC	LM03991	C/A	4,777	AAN8S2TC61Q15	141	230/460	7.6	4600	1.0	23.03	2000 : 1	A, US, 12
3	1800	184TC	LM03995	✓	3,643	AAN4S3TC61Q15	110	230/460	8.4	4800	1.0	19.34	2000 : 1	A, US, 12
	1200	215TC	LM03997	C/A	4,796	AN6S3TC61Q15	155	230/460	—	4600	1.0	—	2000 : 1	A, US, 12
	900	254TC	LM03999	C/A	7,175	AN8S3TC61Q15	206	230/460	—	4400	1.0	—	2000 : 1	A, US, 12
5	1800	213TC	LM04003	C/A	3,929	AAN4S5TC61Q15	115	230/460	15.6	4600	1.0	21.14	2000 : 1	A, US, 12
	1200	254TC	LM04005	C/A	6,666	AN6S5TC61Q15	220	230/460	—	4400	1.0	—	2000 : 1	A, US, 12
	900	256TC	LM04007	C/A	8,104	AN8S5TC61Q15	239	230/460	—	4400	1.0	—	2000 : 1	A, US, 12
7.5	1800	215TC	LM31463	C/A	4,670	AN4S7.5TC61Q15	155	230/460	21.0	4600	1.0	23.48	2000 : 1	A, US, 12
	1200	256TC	LM04013	C/A	7,401	AN6S7.5TC61Q15	239	230/460	22.0	4400	1.0	24.99	2000 : 1	A, US, 12
10	1800	256TC	LM30572	C/A	4,914	AN4S10TC61Q15	235	230/460	27.0	4400	1.0	—	2000 : 1	A, US, 12

▼ LM Numbers are Lincoln Models

♥ Note listing on inside back flap

C/A - Check Availability

Continued On Next Page

Specifications are subject to change without notice



View On-line Technical Information

Inverter Duty Motors

Vector Duty Motors - 2000:1 Speed Range

With 1024 ppr Encoder

Three Phase - Totally Enclosed - Rigid Base & Rigid C Face

HP	SYN RPM 60 Hz	NEMA Frame	▼ Catalog Number	Stock	List Price	Model Number	App. Wgt. (lbs)	Voltage	F. L. Amps @ 230 V	Max. RPM	Service Factor	"C" Dim. (Inches)	Inverter speed range	♥Notes
15	1200	284T	LM31961	C/A	10,464	CCB6S15T61Q15	490	230/460	40.0	4200	1.0	37.81	2000 : 1	C, US, 11
20	1200	286T	LM03157	C/A	11,563	SB6H20T61Q15	420	230/460	—	4200	1.0	—	2000 : 1	S, US, 11
25	1800	284T	LM03189	C/A	7,249	SB4H25T61Q15	350	230/460	62.0	4200	1.0	40.69	2000 : 1	S, US, 11
	1200	324T	LM03205	C/A	13,043	SB6H25T61Q15	490	230/460	—	4000	1.0	—	2000 : 1	S, US, 11
30	1800	286T	LM03237	C/A	8,082	SB4H30T61Q15	420	230/460	74.0	4200	1.0	—	2000 : 1	S, US, 11
	1200	326T	LM03253	C/A	14,309	SB6H30T61Q15	550	230/460	—	4000	1.0	—	2000 : 1	S, US, 11
40	1800	324T	LM03285	C/A	10,308	SB4H40T61Q15	550	230/460	98.0	4000	1.0	43.41	2000 : 1	S, US, 11
	1200	364T	LM03301	C/A	16,798	SB6H40T61Q15	670	230/460	—	3800	1.0	—	2000 : 1	S, US, 11
50	1800	326T	LM03333	C/A	11,371	SB4H50T61Q15	550	230/460	—	4000	1.0	—	2000 : 1	S, US, 11
	1200	365T	LM03349	C/A	20,167	SB6H50T61YQ15	740	230/460	—	3800	1.0	—	2000 : 1	S, US, 11
60	1800	364T	LM03377	C/A	13,046	SB4H60T61YQ15	690	230/460	—	3800	1.0	—	2000 : 1	S, US, 11
	1200	404T	LM03397	C/A	21,092	SB6H60T61YQ15	1000	230/460	169.0	3600	1.0	51.73	2000 : 1	S, US, 11
75	1800	365T	LM03425	C/A	15,077	SB4P75T61YQ15	740	230/460	180.0	3800	1.0	49.29	2000 : 1	S, US, 11
	1200	405T	LM03445	C/A	26,114	SB6H75T61YQ15	1000	230/460	—	3600	1.0	—	2000 : 1	S, US, 11
100	1800	405T	LM03473	C/A	21,937	SB4H100T61YQ15	1000	230/460	240.0	3600	1.0	53.23	2000 : 1	S, US, 11
	1200	444T	LM03491	C/A	27,548	SB6H100T64YQ15	1290	460	—	3000	1.0	—	2000 : 1	S, US, 11
125	1800	444T	LM03517	C/A	28,618	SB4H125T64YQ15	1290	460	—	3000	1.0	—	2000 : 1	S, US, 11
	1200	445T	LM03537	C/A	34,654	SB6H125T64YQ15	1480	460	—	3000	1.0	—	2000 : 1	S, US, 11
150	1800	445T	LM03565	C/A	33,792	SB4H150T64YQ15	1490	460	165*	3000	1.0	59.85	2000 : 1	S, US, 11
200	1800	445T	LM03597	C/A	35,631	SB4H200T64YQ15	1500	460	—	3000	1.0	—	2000 : 1	S, US, 11

* Amps at 460 Volt

♥ Note listing on inside back flap

▼ LM Numbers are Lincoln Models

C/A - Check Availability

Specifications are subject to change without notice

View On-line Technical Information



Single Phase
ODP Motors

Single Phase
TEFC Motors

Single Phase
C Face Motors

Three Phase
ODP Motors

Three Phase
TEFC Motors

Three Phase
C Face Motors

Inverter Duty
Motors

Severe Duty
Motors

Explosion Proof
Motors

Inverter Duty Motors

Inverter Duty Motors - 4 :1 Speed Range - Totally Enclosed

Features:

- Inverter duty insulation system
- Constant HP range at 2x base speed 56 - 256T frames
- Constant HP range at 1.5x base speed 284T - 445T frames
- No mounting available for encoder devices
- Normally enclosed thermostats
- Steel and Aluminum frame construction - see Notes
- Precision balanced rotors



Three Phase - Totally Enclosed - Rigid Base

HP	SYN RPM 60 Hz	NEMA Frame	▼ Catalog Number	Stock	List Price	Model Number	App. Wgt. (lbs)	Voltage	F. L. Amps @ 230 V	Max. RPM	Service Factor	% F.L. Eff.	"C" Dim. (Inches)	Inverter speed range	♥Notes	
1/3	1800	56	LM22644	C/A	563	SRF4S0.33T61Q40	28	230/460	—	4000	1.0	72.0	—	4 : 1	S, US	
1/2	3600	56	LM22646	C/A	543	SRF2S0.5T61Q40	28	230/460	—	4000	1.0	70.0	—	4 : 1	S, US	
	1800	56	LM22648	C/A	647	SRF4S0.5T61Q40	28	230/460	2.4	4000	1.0	74.0	11.82	4 : 1	S, US	
	1200	56	LM22650	C/A	772	SRF6S0.5T61Q40	28	230/460	2.6	4000	1.0	70.0	12.32	4 : 1	S, US	
3/4	3600	56	LM22652	C/A	577	SRF2S0.75T61Q40	28	230/460	—	4000	1.0	74.0	—	4 : 1	S, US	
	1800	56	LM22654	C/A	659	SRF4S0.75T61Q40	28	230/460	3.0	4000	1.0	77.0	11.82	4 : 1	S, US	
	1200	56	LM22656	C/A	783	SRF6S0.75T61Q40	36	230/460	—	4000	1.0	72.0	—	4 : 1	S, US	
1	3600	56	LM22658	C/A	659	SRF2S1T61Q40	28	230/460	—	4000	1.0	75.5	—	4 : 1	S, US	
	1800	56	LM22660	√	679	SRF4S1T61Q40	28	230/460	3.6	4000	1.0	78.5	12.32	4 : 1	S, US	
	1800	143T	LM26097	C/A	763	SSF4P1T61Q40	46	230/460	3.0	4000	1.0	82.5	12.87	4 : 1	S, US	
	1200	145T	LM26383	C/A	918	SSF6P1T61Q40	51	230/460	3.8	4000	1.0	80.0	14.87	4 : 1	S, US	
1 1/2	3600	56	LM22662	C/A	706	SRF2S1.5T61Q40	28	230/460	—	4000	1.0	78.5	—	4 : 1	S, US	
	1800	56H	LM22664	C/A	749	SRF4S1.5T61Q40	28	230/460	5.0	4000	1.0	80.0	13.52	4 : 1	S, US	
	1800	145T	LM26098	C/A	771	SSF4P1.5T61Q40	51	230/460	5.0	4000	1.0	84.0	13.87	4 : 1	S, US	
	1200	182T	LM21188	C/A	1,033	AAF6P1.5T61Q40	83	230/460	—	4000	1.0	85.5	—	4 : 1	A, US	
	2	3600	56H	LM22666	C/A	759	SRF2S2T61Q40	36	230/460	—	4000	1.0	78.5	—	4 : 1	S, US
2	1800	145T	LM25991	C/A	803	SSF4P2T61Q40	51	230/460	6.0	4000	1.0	84.0	14.37	4 : 1	S, US	
	1200	184T	LM21191	√	1,107	AAF6P2T61Q40	92	230/460	6.0	4000	1.0	86.5	15.19	4 : 1	A, US	
	3	3600	182T	LM21189	C/A	1,057	AAF2P3T61Q40	83	230/460	7.4	4000	1.0	85.5	14.19	4 : 1	A, US
	1800	182T	LM21190	√	975	AAF4P3T61Q40	83	230/460	8.4	4000	1.0	87.5	14.19	4 : 1	A, US	
2	1200	213T	LM21194	C/A	1,269	AF6P3T61Q40	127	230/460	9.8	4000	1.0	87.5	16.80	4 : 1	A, US	
	5	3600	184T	LM21192	C/A	1,229	AAF2P5T61Q40	92	230/460	12.4	4000	1.0	87.5	15.19	4 : 1	A, US
	1800	184T	LM21193	√	1,086	AAF4P5T61Q40	92	230/460	13.4	4000	1.0	87.5	16.19	4 : 1	A, US	
2	1200	215T	LM21197	C/A	1,870	AAF6P5T61Q40	138	230/460	15.0	4000	1.0	87.5	18.70	4 : 1	A, US	
	7 1/2	3600	213T	LM21195	C/A	1,662	AF2P7.5T61Q40	127	230/460	18.0	4600	1.0	88.5	18.30	4 : 1	A, US
	1800	213T	LM21196	√	1,431	AF4P7.5T61Q40	127	230/460	20.0	4600	1.0	89.5	17.20	4 : 1	A, US	
2	1200	254T	LM21200	√	2,380	AAF6P7.5T61Q40	209	230/460	22.0	4400	1.0	89.5	24.74	4 : 1	A, US	
	10	3600	215T	LM21198	C/A	1,724	AF2P10T61Q40	138	230/460	24.0	4600	1.0	89.5	18.25	4 : 1	A, US
	1800	215T	LM21199	√	1,600	AF4P10T61Q40	138	230/460	25.4	4600	1.0	89.5	18.70	4 : 1	A, US	
2	1200	256T	LM21203	C/A	3,050	AAF6P10T61Q40	236	230/460	26.4	4400	1.0	89.5	25.15	4 : 1	A, US	

▼ LM Numbers are Lincoln Models

C/A - Check Availability

Specifications are subject to change without notice

♥ Note listing on inside back flap

Continued On Next Page



View On-line Technical Information

Inverter Duty Motors - 4 :1 Speed Range - Totally Enclosed

Three Phase - Totally Enclosed - Rigid Base

HP	SYN RPM 60 Hz	NEMA Frame	▼ Catalog Number	Stock	List Price	Model Number	App. Wgt. (lbs)	Voltage	F. L. Amps @ 230 V	Max. RPM	Service Factor	% F.L. Eff.	"C" Dim. (Inches)	Inverter speed range	♥ Notes
15	3600	254T	LM21201	✓	2,427	AAF2P15T61Q40	209	230/460	35.0	4400	1.0	90.2	23.40	4 : 1	A, US
	1800	254T	LM21202	✓	2,300	AF4P15T61Q40	209	230/460	39.0	4400	1.0	91.0	23.40	4 : 1	A, US
	1200	284T	LM21206	C/A	3,862	AF6P15T61YQ40	363	230/460	48.0	4200	1.0	90.2	26.20	4 : 1	A, US
20	3600	256T	LM21204	C/A	2,785	AF2P20T61Q40	236	230/460	47.0	4400	1.0	90.2	26.10	4 : 1	A, US
	1800	256T	LM21205	✓	2,665	AF4P20T61Q40	236	230/460	50.0	4400	1.0	91.0	25.15	4 : 1	A, US
	1200	286T	LM21209	C/A	4,274	AF6P20T61YQ40	408	230/460	—	4200	1.0	90.2	—	4 : 1	A, US
25	3600	284TS	LM21207	C/A	3,612	AF2P25TS61YQ40	363	230/460	—	4200	1.0	91.0	—	4 : 1	A, US
	1800	284T	LM21208	C/A	3,500	AF4P25T61YQ40	363	230/460	66.0	4200	1.0	92.4	26.62	4 : 1	A, US
	1200	324T	LM21212	C/A	5,107	SF6P25T61YQ40	504	230/460	63.0	4000	1.0	91.7	28.50	4 : 1	S, US
30	3600	286TS	LM21210	C/A	4,115	AF2P30TS61YQ40	408	230/460	—	4200	1.0	91.0	—	4 : 1	A, US
	1800	286T	LM21211	✓	4,094	AF4P30T61YQ40	408	230/460	76.0	4200	1.0	92.4	28.12	4 : 1	A, US
	1200	326T	LM21215	✓	7,138	SF6P30T61YQ40	570	230/460	75.0	4000	1.0	91.7	30.00	4 : 1	S, US
40	3600	324TS	LM21213	C/A	5,374	SF2P40TS61YQ40	504	230/460	—	4000	1.0	91.7	—	4 : 1	S, US
	1800	324T	LM21214	✓	5,308	SF4P40T61YQ40	504	230/460	106.0	4000	1.0	93.0	28.50	4 : 1	S, US
	1200	364T	LM21218	C/A	7,483	SF6P40T61YQ40	765	230/460	116.0	3800	1.0	93.0	31.90	4 : 1	S, US
50	3600	326TS	LM21216	C/A	6,848	SF2P50TS61YQ40	558	230/460	112.0	4000	1.0	92.4	28.50	4 : 1	S, US
	1800	326T	LM21217	✓	5,696	SF4P50T61YQ40	558	230/460	129.0	4000	1.0	93.0	30.00	4 : 1	S, US
	1200	365T	LM21221	C/A	9,282	SF6P50T61YQ40	822	230/460	138.0	3800	1.0	93.0	32.90	4 : 1	S, US
60	3600	364TS	LM21219	C/A	10,207	SF2P60TS61YQ40	765	230/460	132.0	3800	1.0	93.0	29.77	4 : 1	S, US
	1800	364T	LM21220	✓	8,254	SF4P60T61YQ40	765	230/460	145.0	3800	1.0	93.6	31.90	4 : 1	S, US
	1200	404T	LM21224	C/A	10,845	SF6P60T61YQ40	918	230/460	—	3600	1.0	93.6	—	4 : 1	S, US
75	3600	365TS	LM21222	✓	10,669	SF2P75TS61YQ40	822	230/460	166.0	3800	1.0	93.0	30.77	4 : 1	S, US
	1800	365T	LM21223	C/A	10,485	SF4P75T61YQ40	822	230/460	187.0	3800	1.0	94.1	32.90	4 : 1	S, US
	1200	405T	LM21225	C/A	13,227	SF6P75T61YQ40	1002	230/460	—	3600	1.0	93.6	—	4 : 1	S, US
100	3600	405TS	LM21226	C/A	14,527	SF2P100TS61YQ40	1002	230/460	214.0	3600	1.0	93.6	35.40	4 : 1	S, US
	1800	405T	LM21227	C/A	13,582	SF4P100T61YQ40	1002	230/460	244.0	3600	1.0	94.5	38.40	4 : 1	S, US
	1200	444T	LM21228	C/A	17,227	SF6P100T64YQ40	1351	460	146*	3000	1.0	94.1	41.58	4 : 1	S, US
125	3600	444TS	LM21229	C/A	17,878	SF2P125TS64YQ40	1351	460	—	3600	1.0	94.5	—	4 : 1	S, US
	1800	444T	LM21230	C/A	16,873	SF4P125T64YQ40	1351	460	146*	3000	1.0	94.5	41.58	4 : 1	S, US
	1200	445T	LM21231	C/A	19,885	SF6P125T64YQ40	1504	460	—	3000	1.0	94.1	—	4 : 1	S, US
150	3600	445TS	LM21232	C/A	21,107	SF2P150TS64YQ40	1504	460	—	3600	1.0	94.5	—	4 : 1	S, US
	1800	445T	LM21233	C/A	19,519	SF4P150T64YQ40	1504	460	168*	3000	1.0	95.0	43.58	4 : 1	S, US
	1200	445T	LM21234	C/A	22,830	SF6P150T64YQ40	1504	460	—	3000	1.0	95.0	—	4 : 1	S, US
200	3600	445TS	LM21235	C/A	24,700	SF2P200TS64YQ40	1504	460	—	3600	1.0	95.0	—	4 : 1	S, US
	1800	445T	LM21236	C/A	23,220	SF4P200T64YQ40	1504	460	228*	3000	1.0	95.0	43.58	4 : 1	S, US
	1200	447T	LM21237	C/A	24,806	SF6P200T64YQ40	1812	460	—	3000	1.0	95.0	—	4 : 1	S, US
250	3600	449TS	LM21240	C/A	29,031	SF2P250TS64YQ40	2185	460	—	3600	1.0	95.4	—	4 : 1	S, US
	1800	447T	LM21238	C/A	27,943	SF4P250T64YQ40	1812	460	283*	2800	1.0	95.0	47.08	4 : 1	S, US
300	3600	449TS	LM21242	C/A	27,943	SF2P300TS64YQ40	—	460	—	3600	1.0	95.4	—	4 : 1	S, US
	1800	449T	LM21239	C/A	30,243	SF4P300T64YQ40	2315	460	349*	2800	1.0	95.4	52.08	4 : 1	S, US
350	3600	449TS	LM21243	✓	56,666	SF2B350TS64YQ40	—	460	—	3600	1.0	95.8	—	4 : 1	S, US
	1800	449T	LM21244	C/A	29,860	SF4P350T64YQ40	2185	460	395*	2800	1.0	95.4	52.08	4 : 1	S, US

* Amps at 460 Volt

♥ Note listing on inside back flap

▼ LM Numbers are Lincoln Models

C/A - Check Availability

Specifications are subject to change without notice

View On-line Technical Information



Single Phase
ODP Motors

Single Phase
TEFC Motors

Single Phase
C Face Motors

Three Phase
ODP Motors

Three Phase
TEFC Motors

Three Phase
C Face Motors

Inverter Duty
Motors

Severe Duty
Motors

Explosion Proof
Motors

Inverter Duty Motors

Inverter Duty Motors - 4 :1 Speed Range - Totally Enclosed

Three Phase - Totally Enclosed - Rigid C Face

HP	SYN RPM 60 Hz	NEMA Frame	▼ Catalog Number	Stock	List Price	Model Number	App. Wgt. (lbs)	Voltage	F. L. Amps @ 230 V	Max. RPM	Service Factor	% F.L. Eff.	"C" Dim. (Inches)	Inverter speed range	♥Notes
1/3	1800	56C	LM22645	✓	613	SRF4S0.33TC61Q40	33	230/460	1.6	4000	1.0	72.0	11.31	4 : 1	S, US
1/2	3600	56C	LM22647	C/A	594	SRF2S0.5TC61Q40	33	230/460	2.2	4000	1.0	70.0	11.81	4 : 1	S, US
	1800	56C	LM22649	✓	699	SRF4S0.5TC61Q40	33	230/460	2.4	4000	1.0	74.0	11.81	4 : 1	S, US
	1200	56C	LM22651	C/A	823	SRF6S0.5TC61Q40	33	230/460	2.6	4000	1.0	70.0	12.31	4 : 1	S, US
3/4	3600	56C	LM22653	C/A	628	SRF2S0.75TC61Q40	33	230/460	3.4	4000	1.0	74.0	11.81	4 : 1	S, US
	1800	56C	LM22655	✓	709	SRF4S0.75TC61Q40	33	230/460	3.0	4000	1.0	77.0	11.81	4 : 1	S, US
	1200	56C	LM22657	C/A	833	SRF6S0.75TC61Q40	28	230/460	3.4	4000	1.0	72.0	12.81	4 : 1	S, US
1	3600	56C	LM22659	C/A	709	SRF2S1TC61Q40	33	230/460	3.7	4000	1.0	75.5	11.81	4 : 1	S, US
	1800	56C	LM22661	✓	729	SRF4S1TC61Q40	28	230/460	3.0	4000	1.0	78.5	11.81	4 : 1	S, US
	1800	143TC	LM26081	C/A	815	SSF4P1TC61Q40	52	230/460	3.0	4000	1.0	82.5	12.87	4 : 1	S, US
	1200	145TC	LM26323	C/A	972	SSF6P1TC61Q40	57	230/460	3.8	4000	1.0	80.0	14.87	4 : 1	S, US
1 1/2	3600	56C	LM22663	C/A	755	SRF2S1.5TC61Q40	28	230/460	4.4	4000	1.0	78.5	11.81	4 : 1	S, US
	1800	56HC	LM22665	C/A	799	SRF4S1.5TC61Q40	36	230/460	5.0	4000	1.0	80.0	13.32	4 : 1	S, US
	1800	145TC	LM26008	C/A	821	SSF4P1.5TC61Q40	57	230/460	4.8	4000	1.0	84.0	13.87	4 : 1	S, US
	1200	182TC	LM22822	C/A	1,110	AAF6P1.5TC61Q40	95	230/460	5.0	4000	1.0	85.5	15.83	4 : 1	A, US
2	3600	56HC	LM22667	C/A	812	SRF2S2TC61Q40	36	230/460	6.0	4000	1.0	78.5	12.32	4 : 1	S, US
	1800	145TC	LM25962	✓	874	SSF4P2TC61Q40	57	230/460	6.0	4000	1.0	84.0	14.37	4 : 1	S, US
	1200	184TC	LM22825	C/A	1,184	AAF6P2TC61Q40	104	230/460	6.0	4000	1.0	86.5	15.83	4 : 1	A, US
3	3600	182TC	LM22826	C/A	1,135	AAF2P3TC61Q40	95	230/460	7.4	4000	1.0	85.5	14.83	4 : 1	A, US
	1800	182TC	LM22827	✓	1,054	AAF4P3TC61Q40	95	230/460	8.4	4000	1.0	87.5	14.83	4 : 1	A, US
	1200	213TC	LM22828	C/A	1,357	AF6P3TC61Q40	138	230/460	9.8	4600	1.0	87.5	17.66	4 : 1	A, US
5	3600	184TC	LM22829	C/A	1,300	AAF2P5TC61Q40	104	230/460	—	4000	1.0	87.5	—	4 : 1	A, US
	1800	184TC	LM22830	✓	1,167	AAF4P5TC61Q40	104	230/460	13.4	4000	1.0	87.5	16.83	4 : 1	A, US
	1200	215TC	LM31434	C/A	1,958	AF6P5TC61Q40	149	230/460	15.0	4600	1.0	87.5	19.45	4 : 1	A, US
7 1/2	3600	213TC	LM22832	C/A	1,498	AF2P7.5TC61Q40	138	230/460	—	4600	1.0	88.5	—	4 : 1	A, US
	1800	213TC	LM22833	C/A	1,460	AAF4P7.5TC61Q40	138	230/460	20.0	4600	1.0	89.5	17.95	4 : 1	A, US
	1200	254TC	LM22834	C/A	2,606	AF6P7.5TC61Q40	221	230/460	20.0	4400	1.0	89.5	23.40	4 : 1	A, US
10	3600	215TC	LM22835	C/A	1,877	AF2P10TC61Q40	149	230/460	—	4600	1.0	89.5	—	4 : 1	A, US
	1800	215TC	LM22836	C/A	1,692	AF4P10TC61Q40	149	230/460	25.4	4600	1.0	89.5	19.45	4 : 1	A, US
	1200	256TC	LM22837	C/A	2,985	AF6P10TC61Q40	248	230/460	—	4400	1.0	89.5	—	4 : 1	A, US
15	3600	254TC	LM22838	C/A	2,185	AF2P15TC61Q40	221	230/460	35.0	4400	1.0	90.2	23.4	4 : 1	A, US
	1800	254TC	LM22839	✓	2,420	AF4P15TC61Q40	221	230/460	39.0	4400	1.0	91.0	23.4	4 : 1	A, US
20	3600	256TC	LM22840	C/A	3,629	AF2P20TC61Q40	248	230/460	—	4400	1.0	90.2	—	4 : 1	A, US
	1800	256TC	LM22841	✓	2,786	AF4P20TC61Q40	248	230/460	50.0	4400	1.0	91.0	25.15	4 : 1	A, US

▼ LM Numbers are Lincoln Models

♥ Note listing on inside back flap

C/A - Check Availability

Specifications are subject to change without notice



View On-line Technical Information

Features:

- Variable torque speed range with open loop drive of 0-60 Hz
- Constant horsepower speed range of 2x base speed
- Ultimate Spike Defense™ Insulation System
- 1.00 service factor on PWM waveform,
- 1.15 service factor or better on sine-wave power.
- Precision dynamic balanced rotor assembly
- Thermal overload protection (Class F thermostats)

Three Phase - Drip-Proof - Rigid Base

HP	SYN RPM 60 Hz	NEMA Frame	▼ Catalog Number	Stock	List Price	Model Number	App. Wgt. (lbs)	Voltage	F. L. Amps @ 230 V	Max. RPM	Service Factor	% F.L. Eff.	"C" Dim. (Inches)	Inverter speed range	♥ Notes
1	1800	143T	LM21148	C/A	702	SSD4P1T61Q40	55	230/460	3.1	5000	1.0	82.5	12.49	10 : 1	S, US
1 1/2	1800	145T	LM21151	C/A	733	SSD4P1.5T61Q40	68	230/460	4.4	5000	1.0	84.0	12.49	10 : 1	S, US
2	1800	145T	LM21153	✓	773	SSD4P2T61Q40	68	230/460	5.8	5000	1.0	84.0	12.49	10 : 1	S, US
3	1800	182T	LM21157	C/A	877	SSD4P3T61Q40	82	230/460	8.6	4800	1.0	86.5	13.72	10 : 1	S, US
5	1800	184T	LM21159	✓	1,121	SSD4P5T61Q40	71	230/460	13.2	4800	1.0	87.5	13.19	10 : 1	S, US
7 1/2	1800	213T	LM21162	C/A	1,287	SSD4P7.5T61Q40	141	230/460	19.4	4600	1.0	88.5	17.29	10 : 1	S, US
10	1800	215T	LM21165	✓	1,513	SSD4P10T61Q40	168	230/460	25.0	4600	1.0	89.5	17.29	10 : 1	S, US
	1200	256T	LM21170	C/A	2,318	SSD6P10T61Q40	255	230/460	28.0	4400	1.0	90.2	22.32	10 : 1	S, US
15	1800	254T	LM21168	✓	2,160	SSD4P15T61Q40	245	230/460	41.0	4400	1.0	91.0	22.32	10 : 1	S, US
20	1800	256T	LM21171	✓	2,390	SSD4P20T61Q40	255	230/460	52.0	4400	1.0	91.0	22.32	10 : 1	S, US
	1800	284T	LM21174	C/A	1,732	SD4P25T61YQ40	—	230/460	68.0	4000	1.0	91.7	0.00	10 : 1	S, US
25	1800	284T	LM29579	✓	3,140	CCD4P25T61YQ40	350	230/460	61.0	4000	1.0	91.7	23.49	10 : 1	C, US
	1800	286T	LM21177	C/A	2,474	SD4P30T61YQ40	—	230/460	—	4000	1.0	92.4	—	10 : 1	S, US
30	1800	286T	LM29936	✓	3,573	CCD4P30T61YQ40	400	230/460	72.0	4000	1.0	92.4	24.99	10 : 1	C, US
	1800	324T	LM21180	✓	4,538	SD4P40T61YQ40	469	230/460	106.0	4000	1.0	93.0	25.82	10 : 1	S, US
40	1800	326T	LM21118	C/A	5,067	SD4P50T61YQ40	522	230/460	130.0	4000	1.0	93.0	27.32	10 : 1	S, US
50	1800	364T	LM21121	C/A	5,196	SD4P60T61YQ40	595	230/460	145.0	3600	1.0	94.0	28.40	10 : 1	S, US
60	1800	365T	LM21124	C/A	6,634	SD4P75T61YQ40	763	230/460	176.0	3800	1.0	94.1	32.90	10 : 1	S, US
75	1800	404T	LM21127	✓	8,494	SD4P100T61YQ40	882	230/460	244.0	3600	1.0	94.1	31.81	10 : 1	S, US
100	1800	405T	LM30727	✓	9,704	SD4P125T61YQ40	958	230/460	304.0	3600	1.0	94.5	0.00	10 : 1	S, US

▼ LM Numbers are Lincoln Models

♥ Note listing on inside back flap

C/A - Check Availability

Specifications are subject to change without notice

View On-line Technical Information



Single Phase
ODP Motors

Single Phase
TEFC Motors

Single Phase
C Face Motors

Three Phase
ODP Motors

Three Phase
TEFC Motors

Three Phase
C Face Motors

Inverter Duty
Motors

Severe Duty
Motors

Explosion Proof
Motors

Inverter Duty Motors

SUB-FHP MOTORS - Inverter Rated - Three Phase

Features:

- Designed with the exclusive Inverter Rated Insulation System (IRIS)
- Provides superior protection against voltage spikes induced by variable frequency drives
- Double shielded motor ball bearings
- Needle bearings in the parallel shaft gearboxes
- Steel conduit box provided as standard
- Finished in high gloss hardened black enamel paint

Application Notes:

- Designed with high temperature insulation (Class F) to prevent overheating when operated with a PWM inverter down to a 10:1 speed range from the printed Gearmotor RPM
- These gearmotors are designed for mounting at any angle, but motor below the reducer should be avoided to prevent leakage of lubricant into the motor should the motor shaft seal fail
- Overhung load capacities shown are at center of output shaft
- For additional information, see Bulletin 1830

Three Phase - Drip Proof - Rigid Base

HP	SYN RPM 60 Hz	Frame	Catalog Number	Stock	List Price	Model Number	Voltage	F. L. Amps @ 230 V	♥Notes
1/15	1725	38	M1140171.00	✓	340	CM38T17NK1	230	0.4	S, US, 12
1/6	1725	38	M1140173.00	C/A	367	CM38T17NK2	230	0.72	S, US, 12
1/4	1725	38	M1140172.00	✓	394	CM38T17FK3	230	1.1	S, US, 13

C/A - Check Availability

♥ Note listing on inside back flap

Specifications are subject to change without notice

38 Frame NEMA C-Face With Base Dimensions

Catalog Number	AG	P	U	AH	BB	AJ	TAP	R	AK	BB	D	BA	E	F	H
M1140171.00	5.14	3.85	0.5	1.63	1	3.75	1/3/16	4.3	3	0.13	3	2.5	2.125	1.375	11/32 Slot
M1140173.00	6.14	3.85	0.5	1.63	1	3.75	1/3/16	4.3	3	0.13	3	2.5	2.125	1.375	11/32 Slot
M1140172.00	7.56	4.43	0.5	1.63	1	3.75	1/3/16	4.3	3	0.13	3	2.5	2.125	1.375	11/32 Slot

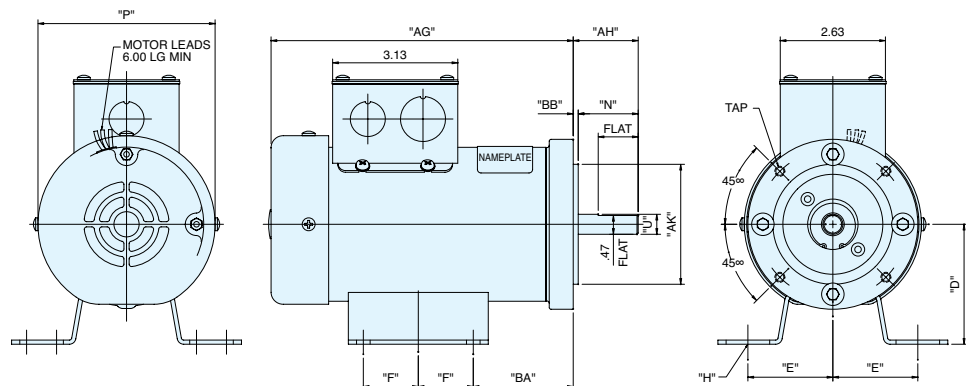
Specifications are subject to change without notice

AC 38 48C

Both motors only and gearmotors will have inverter rated printed on the nameplate.

UL and CSA recognition for both motors only and gearmotors.

ALL DIMENSIONS IN INCHES

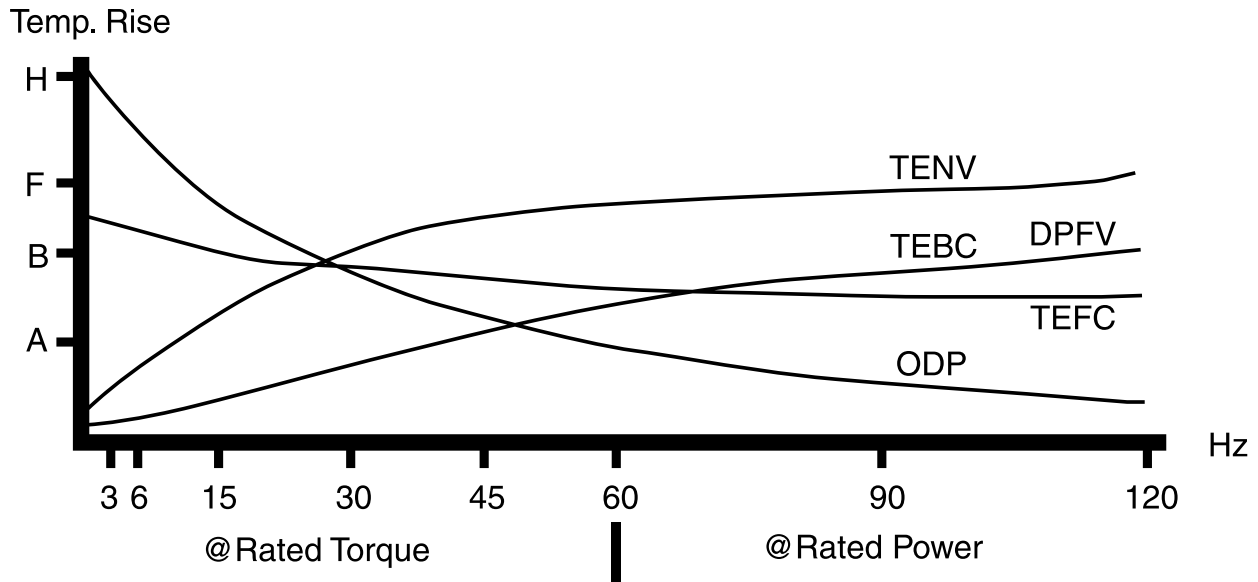


Other Application Considerations -

For proper selection, the following should be considered:

- Horsepower or torque requirements at various speeds
- Desired speed range of the load and motor
- Acceleration and deceleration rate requirements of the process being controlled
- Starting requirements including the frequency of starting and a description of the load (reflected inertia at the motor, load torque during starting)
- Whether the application is a continuous process or duty cycle of starts, stops and speed changes
- A general description of the type of application including the environment in which the VFD system components must operate (determines motor enclosure and/or explosion proof classification)
- Description of the available electrical power supply and wiring
- Special performance requirements, if any
- Whether the drive will be configured with a by-pass circuit. In case of its deployment, the motor will operate like its fixed speed counterpart and may require a NEMA B design which limits in-rush current, or selection of a larger motor starter or other protective circuitry
- Load sharing
- Mounting and other mechanical considerations

Typical Temperature Rise Of Various Enclosures



Single Phase
ODP Motors

Single Phase
TEFC Motors

Single Phase
C Face Motors

Three Phase
ODP Motors

Three Phase
TEFC Motors

Three Phase
C Face Motors

Inverter Duty
Motors

Severe Duty
Motors

Explosion Proof
Motors

Single Phase
ODP Motors

Single Phase
TEFC Motors

Single Phase
C Face Motors

Three Phase
ODP Motors

Three Phase
TEFC Motors

Three Phase
C Face Motors

Inverter Duty
Motors

Severe Duty
Motors

Explosion Proof
Motors

Severe Duty Motors

IEEE-841 Severe Duty Motors & Lincoln Encapsulated Multiguard® Motors



- IEEE-841 motors available – 5-year warranty
- 3-year warranty on Premium efficient models
- Dual voltage designs
- 1.15 or 1.25 service factors
- Epoxy painted ratings
- Cast iron and steel frame construction
- Internal corrosion protection
- Inverter rated
- Shaft seals where applicable
- UL and CSA recognized

Applications:

Used in severe duty environments that you may find in foundries, pulp and paper mills, Waste management facilities, above ground mines, refineries or other applications That demand corrosion protection for long motor life and dependability.



Severe Duty Motors

IEEE 841 Premium Efficient Motors

General Specifications:

Designed for harsh environments that you may find in refineries, above-ground minds, foundries, paper and pulp mills, cement plants or other severe duty applications.



Features:

- Inpro shaft seals
- Inverter rated insulation system
- Re-greasable bearings
- Epoxy paint
- Test data supplied with each motor
- IP 56 enclosure protection
- Tested to IEEE45 USCG Marine Duty, API RP14F for offshore platforms

Three Phase - TEFC - Rigid Base

HP	SYN RPM 60 Hz	NEMA Frame	Catalog Number	Stock	List Price	Model Number	App. Wgt. (lbs)	Voltage	F. L. Amps @ 460 V	% F.L. Eff.	Service Factor	"C" Dim. (Inches)	♥Notes
1	1800	143T	811541.00	✓	888	143THTN9026	55	460	1.5	85.5	1.15	10.4	C, US
1 1/2	3600	143T	811542.00	✓	1101	145THTN9005	58	460	2.0	86.5	1.15	10.4	C, US
	1800	145T	811543.00	✓	1020	145THTN9026	65	460	2.2	84.0	1.15	11.4	C, US
2	3600	145T	811544.00	✓	1156	145THTN9001	68	460	2.5	85.5	1.15	11.4	C, US
	1800	145T	811545.00	✓	1068	145THTN9027	68	460	3.0	85.5	1.15	11.4	C, US
3	3600	182T	811546.00	✓	1674	182THTS19005	105	460	3.8	87.5	1.15	12.7	C, US
	1800	182T	811547.00	✓	1419	182THTS19041	100	460	4.0	90.2	1.15	12.7	C, US
5	3600	184T	811548.00	✓	1798	184THFS19010	142	460	5.9	89.5	1.15	16.2	C, US
	1800	184T	811549.00	✓	1657	184THFS19045	130	460	6.2	90.2	1.15	16.2	C, US
7 1/2	3600	213T	811550.00	✓	2123	213THTS19008	200	460	8.9	91.7	1.15	17.2	C, US
	1800	213T	811551.00	✓	2010	213THFS19044	200	460	9.6	91.7	1.15	19.7	C, US
10	3600	215T	811552.00	✓	2482	215THFS19011	218	460	11.2	91.7	1.15	21.0	C, US
	1800	215T	811553.00	✓	2434	215THFS19051	225	460	12.5	91.7	1.15	19.7	C, US
15	3600	254T	811554.00	✓	3076	254THFNA19014	345	460	17.5	91.7	1.15	23.5	C, US
	1800	254T	811555.00	✓	2924	254THFNA19052	350	460	18.8	92.4	1.15	23.5	C, US
20	3600	256T	811556.00	✓	3800	256THFNA19004	375	460	23.4	92.4	1.15	25.3	C, US
	1800	256T	811557.00	✓	3636	256THFNA19050	425	460	24.1	93.0	1.15	25.3	C, US
25	3600	284TS	811558.00	✓	4717	284TSHFNA19009	481	460	28.1	93.6	1.15	25.0	C, US
	1800	284T	811559.00	✓	4309	284THFNA19043	478	460	31.0	93.6	1.15	26.3	C, US
30	3600	286TS	811560.00	✓	5792	286TSHFNA19002	500	460	33.8	93.6	1.15	26.4	C, US
	1800	286T	811561.00	✓	5249	286THFNA19051	525	460	36.5	94.1	1.15	27.8	C, US
40	3600	324TS	811562.00	✓	7691	324TSHFS19007	656	460	47.0	93.6	1.15	27.4	C, US
	1800	324T	811563.00	✓	7186	324THFS19045	700	460	47.5	94.1	1.15	28.9	C, US
50	3600	326TS	811564.00	✓	9911	326TSHFS19005	725	460	58.0	93.6	1.15	28.9	C, US
	1800	326T	811565.00	✓	8605	326THFS19057	775	460	60.0	94.5	1.15	30.4	C, US
60	3600	364TS	811566.00	✓	11920	364TSHFS19006	925	460	67.0	94.5	1.15	29.4	C, US
	1800	364T	811567.00	✓	11344	364THFS19047	1000	460	69.0	95.0	1.15	31.5	C, US
75	3600	365TS	811568.00	✓	15031	365TSHFS19005	1002	460	84.0	94.5	1.15	30.4	C, US
	1800	365T	811569.00	✓	14575	365THFS19052	1100	460	86.0	95.4	1.15	32.5	C, US
100	3600	405TS	811570.00	✓	20360	405TSHFS19006	1295	460	108.0	95.0	1.15	34.1	C, US
	1800	405T	811571.00	✓	17776	405THFS19060	1330	460	113.0	95.4	1.15	37.1	C, US

Green items are Premium Efficient

♥ Note listing on inside back flap

Specifications are subject to change without notice

View On-line Technical Information



Single Phase
ODP Motors

Single Phase
TEFC Motors

Single Phase
C Face Motors

Three Phase
ODP Motors

Three Phase
TEFC Motors

Three Phase
C Face Motors

Inverter Duty
Motors

Severe Duty
Motors

Explosion Proof
Motors

Severe Duty Motors

Severe Duty - Wattsaver Plus



General Specifications:

Designed specifically to meet severe duty environments that you may find in applications such as chemical plants, foundries, pulp and paper mills, waste management facilities and above ground mines.

Features:

- Full cast iron construction
- Inverter rated insulation system
- Epoxy painted
- Inpro shaft seal
- Internal corrosion protection
- IP 55 enclosure protection
- Thermostat protected
- 3-year warranty

Three Phase - TEFC - Rigid Base

HP	SYN RPM 60 Hz	NEMA Frame	Catalog Number	Stock	List Price	Model Number	App. Wgt. (lbs)	Voltage	F. L. Amps @ 230 V	% F.L. Eff.	Service Factor	"C" Dim. (Inches)	Notes
3	1800	182T	171623.60	✓	1118	C184T17FB1	112	208-230/460	7.8	90.2	1.25	16.6	C, CN
	1200	213T	171634.60	✓	1578	C213T11FW1	180	208-230/460	9.4	89.5	1.25	18.7	C, CN
5	1800	184T	171630.60	✓	1158	C184T17FB1	120	208-230/460	12.8	89.5	1.25	17.3	C, CN
	1200	215T	171635.60	✓	1765	C215T11FW1	186	208-230/460	14.4	89.5	1.25	20.1	C, CN
7 1/2	3600	213T	171616.60	✓	1608	C213T34FW1	155	208-230/460	18.0	91.0	1.25	18.7	C, CN
	1800	213T	171622.60	✓	1552	C213T17FW1	165	208-230/460	18.6	91.7	1.25	18.7	C, CN
	1200	254T	171636.60	✓	2295	C254T11FW1	263	208-230/460	22.2	91.7	1.25	23.7	C, CN
10	3600	215T	171617.60	✓	1908	C215T34FW1	190	208-230/460	23.0	91.7	1.25	20.1	C, CN
	1800	215T	171631.60	✓	1850	C215T17FB1	187	208-230/460	25.0	91.7	1.25	20.1	C, CN
	1200	256T	171637.60	✓	3282	C256T11FB1	312	208-230/460	29.0	91.7	1.25	25.4	C, CN
15	3600	254T	171620.60	✓	2593	C254T34FW1	294	208-230/460	34.6	92.4	1.25	23.7	C, CN
	1800	254T	171632.60	✓	2508	C254T17W1	294	208-230/460	36.0	92.4	1.25	23.7	C, CN
	1200	284T	171638.60	✓	4443	C284T11FW1	346	208-230/460	40.6	92.4	1.25	26.8	C, CN
20	3600	256T	171621.60	✓	3169	C256T34FW1	330	208-230/460	46.0	92.4	1.25	25.4	C, CN
	1800	256T	171633.60	✓	3132	C256T17FW1	335	208-230/460	49.0	93.0	1.15	25.4	C, CN
	1200	286T	171639.60	✓	5552	C286T11FW1	405	208-230/460	54.0	92.4	1.25	28.3	C, CN

Green items are Premium Efficient

♥ Note listing on inside back flap

Specifications are subject to change without notice



View On-line Technical Information



Single Phase ODP Motors

Single Phase TEFC Motors

Single Phase C Face Motors

Three Phase ODP Motors

Three Phase TEFC Motors

Three Phase C Face Motors

Inverter Duty Motors

Severe Duty Motors

Explosion Proof Motors

Severe Duty Motors

Lincoln Severe Duty

General Specifications:

Cast iron designed motors that are designed for use in pulp and paper mills, foundries, chemical plants or any severe duty application.

Features:

- Meets Ford EM1-1996 Spec.
- 460 volt - 3 lead designs
- Full cast iron construction
- Class F insulation
- Shielded ball bearing construction



Three Phase - TEFC - Rigid Base

HP	SYN RPM 60 Hz	NEMA Frame	▼ Catalog Number	Stock	List Price	Model Number	App. Wgt. (lbs)	Voltage	F. L. Amps @ 230 V	% F.L. Eff.	Service Factor	"C" Dim. (Inches)	♥ Notes
1	1800	143T	LM32856	C/A	863	CCS4B1T61	59	230/460	—	85.5	1.15	—	C, US
	1200	145T	LM32857	C/A	1075	CCS6B1T61	57	230/460	—	82.5	1.15	—	C, US
1 1/2	3600	143T	LM32858	C/A	1048	CCS2B1.5T61	56	230/460	—	84.0	1.15	—	C, US
	1800	145T	LM32859	C/A	899	CCS4B1.5T61	62	230/460	—	86.5	1.15	—	C, US
2	1200	182T	LM32860	C/A	1107	CCS6B1.5T61	112	230/460	—	87.5	1.15	—	C, US
	3600	145T	LM32861	C/A	1115	CCS2B2T61	71	230/460	—	85.5	1.15	—	C, US
3	1800	145T	LM32862	✓	961	CCS4B2T61	64	230/460	6.0	86.5	1.25	14.3	C, US
	1200	184T	LM32863	C/A	1210	CCS6B2T61	126	230/460	—	88.5	1.15	—	C, US
5	3600	182T	LM32864	C/A	1230	CCS2B3T61	107	230/460	—	88.5	1.15	—	C, US
	1800	182T	LM16644	✓	1168	CCS4B3T61T5	104	230/460	8.0	90.2	1.25	15.2	C, US
7 1/2	1200	213T	LM32865	C/A	1549	CCS6B3T61	173	230/460	—	89.5	1.15	—	C, US
	3600	184T	LM32866	C/A	1460	CCS2B5T61	108	230/460	11.8	89.5	1.15	16.2	C, US
10	1800	184T	LM16650	C/A	1277	CCS4B5T61T5	138	230/460	12.4	90.2	1.15	16.2	C, US
	1200	215T	LM32867	C/A	2117	CCS6B5T61	203	230/460	—	89.5	1.15	—	C, US
15	3600	213T	LM32868	C/A	1765	CCS2B7.5T61	192	230/460	—	89.5	1.15	—	C, US
	1800	213T	LM32869	✓	1666	CCS4P7.5T61	223	230/460	19.4	91.7	1.15	19.7	C, US
20	1200	254T	LM16656	C/A	2885	CCS6B7.5T61YT5	249	230/460	—	90	1.15	23.2	C, US
	3600	215T	LM32870	C/A	2054	CCS2B10T61	218	230/460	—	90.2	1.15	—	C, US
25	1800	215T	LM16919	C/A	2105	CCS4B10T61	213	230/460	25.0	91.7	1.25	—	C, US
	1200	256T	LM32871	C/A	3534	CCS6B10T61	368	230/460	—	91.0	1.15	—	C, US
30	3600	254T	LM32872	C/A	2716	CCS2B15T61	384	230/460	—	91.0	1.15	—	C, US
	1800	254T	LM32873	C/A	2637	CCS4B15T61	322	230/460	—	92.4	1.15	—	C, US
40	1200	284T	LM32874	✓	4913	CCS6B15T61Y	483	230/460	41.0	91.7	1.25	26.3	C, US
	3600	256T	LM32875	C/A	3335	CCS2B20T61	385	230/460	—	91.0	1.15	—	C, US
50	1800	256T	LM32876	✓	3400	CCS4B20T61	368	230/460	48.0	93.0	1.15	25.3	C, US
	1200	286T	LM32877	C/A	5761	CCS6B20T61Y	515	230/460	53.5	91.7	1.15	27.8	C, US
60	3600	284TS	LM32878	C/A	4548	CCS2B25T61Y	461	230/460	—	91.7	1.15	—	C, US
	1800	284T	LM32879	✓	4002	CCS4B25T61Y	495	230/460	62.0	93.6	1.25	26.3	C, US
75	1200	324T	LM32880	C/A	7106	CCS6P25T61Y	637	230/460	—	93.0	1.15	—	C, US
	3600	286TS	LM32881	C/A	5395	CCS2B30TS61Y	496	230/460	—	91.7	1.15	—	C, US
90	1800	286T	LM32882	C/A	4729	CCS4B30T61Y	519	230/460	—	93.6	1.15	—	C, US
	1200	326T	LM32883	C/A	8207	CCS6B30T61Y	689	230/460	—	93.0	1.15	—	C, US
100	3600	324TS	LM32884	C/A	6821	CCS2B40TS61Y	664	230/460	—	92.4	1.15	—	C, US
	1800	324T	LM32885	C/A	6245	CCS4B40T61Y	602	230/460	—	94.1	1.15	—	C, US
1200	364T	LM32886	C/A	10468	CCS6B40T61Y	835	230/460	—	94.1	1.15	—	C, US	

Green items are Premium Efficient

♥ Note listing on inside back flap

▼ LM Numbers are Lincoln Models

Continued On Next Page

C/A - Check Availability

Specifications are subject to change without notice

View On-line Technical Information



Single Phase
ODP Motors

Single Phase
TEFC Motors

Single Phase
C Face Motors

Three Phase
ODP Motors

Three Phase
TEFC Motors

Three Phase
C Face Motors

Inverter Duty
Motors

Severe Duty
Motors

Explosion Proof
Motors

Severe Duty Motors

Lincoln Severe Duty

Three Phase - TEFC - Rigid Base

HP	SYN RPM 60 Hz	NEMA Frame	▼ Catalog Number	Stock	List Price	Model Number	App. Wgt. (lbs)	Voltage	F. L. Amps @ 230 V	% F.L. Eff.	Service Factor	"C" Dim. (Inches)	♥Notes	
50	3600	326TS	LM32685	C/A	8762	CCS2B50TS61Y	732	230/460	—	93.0	1.15	—	C, US	
	1800	326T	LM32887	✓	7272	CCS4B50T61Y	692	230/460	120.0	94.5	1.15	30.4	C, US	
	1200	365T	LM32888	C/A	12375	CCS6B50T61Y	955	230/460	123.0	94.5	1.15	32.5	C, US	
60	3600	364TS	LM32889	C/A	11171	CCS2B60TS61Y	918	230/460	—	93.6	1.15	—	C, US	
	1800	364T	LM32890	C/A	11758	CCS4B60T61Y	980	230/460	—	95.0	1.15	—	C, US	
	1200	404T	LM32891	C/A	14180	CCS6B60T61Y	1156	230/460	—	94.5	1.15	—	C, US	
75	3600	365TS	LM32892	C/A	14159	CCS2B75TS61Y	1001	230/460	—	93.6	1.15	—	C, US	
	1800	365T	LM32893	C/A	13340	CCS4B75T61Y	1018	230/460	172.0	95.4	1.15	32.5	C, US	
	1200	405T	LM32894	C/A	17296	CCS6B75T61Y	1280	230/460	—	94.5	1.15	—	C, US	
100	3600	405TS	LM32895	C/A	18796	CCS2B100TS61Y	1296	230/460	—	94.1	1.15	—	C, US	
	1800	405T	LM32896	C/A	16134	CCS4B100T61Y	1338	230/460	226.0	95.4	1.15	37.1	C, US	
	1200	444T	LM32897	C/A	22183	CCS6B100T64Y	1874	460	124*	95.0	1.15	43.4	C, US	
125	3600	444TS	LM32898	C/A	23177	CCS2B125TS64Y	1874	460	*	95.0	1.15	—	C, US	
	1800	444T	LM32899	C/A	20545	CCS4B125T64Y	1874	460	*	95.4	1.15	—	C, US	
	1200	445T	LM32900	C/A	26750	CCS6B125T64	2042	460	*	95.0	1.15	—	C, US	
150	3600	445TS	LM32901	C/A	28148	CCS2B150TS64Y	2099	460	*	95.0	1.15	—	C, US	
	1800	445T	LM32902	C/A	26673	CCS4B150T64Y	2070	460	*	95.8	1.15	—	C, US	
	1200	445T	LM32903	C/A	30387	CCS6B150T64Y	2042	460	*	95.8	1.15	—	C, US	
200	3600	445TS	LM32904	C/A	35631	CCS2B200TS64Y	2332	460	*	95.4	1.15	—	C, US	
	1800	445T	LM32905	C/A	30347	CCS4B200T64Y	2305	460	224*	96.2	1.15	51.8	C, US	
	1200	449T	LM32906	C/A	36293	CCS6B200T64Y	3087	460	*	95.8	1.15	—	C, US	
250	3600	449TS	LM15717	C/A	39512	CCS2P250TS64Y	2572	460	*	95.4	1.15	—	C, US	
	3600	449TS	LM22908	C/A	39512	CCS2P250TS64	2572	460	*	95.4	1.15	—	C, US	
	1800	449T	LM14643	C/A	32477	CCS4P250T64Y	2572	460	290*	95.0	1.15	51.8	C, US	
Three Phase TEFC Motors	1800	449T	LM17594	C/A	32476	CCS4P250T64	2572	460	290*	95.0	1.15	51.8	C, US	
	1200	449T	LM15723	C/A	39513	CCS6P250T64Y	2883	460	300*	95.4	1.15	51.9	C, US	
	1200	449T	LM17597	C/A	39513	CCS6P250T64	2883	460	300*	95.4	1.15	51.8	C, US	
300	3600	449TS	LM15721	C/A	48297	CCS2P300TS64Y	2883	460	*	95.4	1.15	—	C, US	
	3600	449TS	LM17601	C/A	48297	CCS2P300TS64	2883	460	*	95.4	1.15	—	C, US	
	1800	449T	LM14642	C/A	34803	CCS4P300T64Y	2572	460	*	95.4	1.15	—	C, US	
Three Phase C Face Motors	1800	449T	LM22909	C/A	34803	CCS4P300T64	2572	460	*	95.4	1.15	—	C, US	
	1200	449T	LM15722	C/A	50566	CCS6P300T64Y	2883	460	*	95.4	1.15	—	C, US	
	1200	449T	LM17598	C/A	50566	CCS6P300T64	2883	460	*	95.4	1.15	—	C, US	
350	3600	449TS	LM15720	C/A	53564	CCS2P350TS64Y	2883	460	*	95.4	1.15	—	C, US	
	3600	449TS	LM17602	C/A	53565	CCS2P350TS64	2883	460	*	95.4	1.15	—	C, US	
	1800	449T	LM14645	C/A	38525	CCS4P350T64Y	2883	460	*	95.4	1.15	—	C, US	
Inverter Duty Motors	1800	449T	LM17599	C/A	38525	CCS4P350T64	2883	460	*	95.4	1.15	—	C, US	
	1200	5011LS	LM22210	C/A	37043	CCS6P350LS64Y	5500	460	*	95.8	1.15	—	C, US	
	400	1800	449T	LM14644	C/A	49127	CCS4P400T64Y	2883	460	*	95.8	1.15	—	C, US
Severe Duty Motors	1800	449T	LM17600	C/A	49127	CCS4P400T64	2883	460	*	95.8	1.15	—	C, US	
	1200	5011	LM22211	C/A	105955	CCS6P400L64Y	5500	460	*	95.8	1.15	—	C, US	
	450	1800	5011LS	LM22212	C/A	100749	CCS4P450LS64Y	5500	460	468*	95.8	1.15	45.1	C, US
Explosion Proof Motors	1200	5011LS	LM27292	C/A	124119	CCS6P450LS64Y	5500	460	525*	96.2	1.15	76.6	C, US	
	500	1800	5011LS	LM22213	C/A	116926	CCS4P500LS64Y	5500	460	*	96.2	1.15	—	C, US
	1200	5013LS	LM27293	C/A	143818	CCS6P500LS64Y	7200	460	*	96.2	1.15	—	C, US	
600	1800	5011LS	LM22489	C/A	160625	CCS4P600LS64Y	5500	460	655*	96.2	1.15	67.2	C, US	
700	1800	5013LS	LM27295	C/A	171787	CCS4P700LS64Y	7200	460	*	96.5	1.15	—	—	

Green items are Premium Efficient

♥ Note listing on inside back flap

*Amps at 460 Volts

▼ LM Numbers are Lincoln Models

C/A - Check Availability

Specifications are subject to change without notice



View On-line Technical Information



Severe Duty Motors

ODP-Encapsulated Multiguard®

General Specifications:

Multiguard motors utilize an ODP enclosure utilizing a impregnated and encapsulated process to seal the winding endcoils from contamination. This process protects the windings from moisture, vibration, and some chemical actions.

Features:

- Encapsulated windings
- Durable steel frame construction
- NEMA design B performance
- 284T - 405T: Y-delta start on either voltage
- 444T - 445T: Y-delta start and part-winding start
- 3-year warranty
- Made in the U.S.A



Three Phase - Drip-Proof - Rigid Base

HP	SYN RPM 60 Hz	NEMA Frame	Catalog Number	Stock	List Price	Model Number	App. Wgt. (lbs)	Voltage	F. L. Amps @ 230 V	% F.L. Eff.	Service Factor	"C" Dim. (Inches)	♥Notes
15	1200	284T	LM03614	C/A	3312	MD6S15T61	280	230/460	43.0	86.5	1.0	23.1	S, US
	1200	284TS	LM10636	C/A	3312	MD6S15TS61	280	230/460	43.0	86.5	1.0	21.7	S, US
20	1200	286T	LM03631	✓	3657	MD6S20T61	328	230/460	55.0	84.0	1.0	24.6	S, US
	1200	286TS	LM10637	C/A	3656	MD6S20TS61	328	230/460	55.0	84.0	1.0	23.2	S, US
25	1800	284T	LM03618	✓	3384	MD4S25T61	296	230/460	63.0	85.5	1.0	23.0	S, US
	1800	284TS	LM10638	C/A	3384	MD4S25TS61	296	230/460	63.0	85.5	1.0	21.7	S, US
	1200	324T	LM03665	C/A	4804	MD6S25T61	422	230/460	70.0	89.5	1.0	—	S, US
30	1200	324TS	LM10639	C/A	4804	MD6S25TS61	422	230/460	70.0	88.5	1.0	24.5	S, US
	3600	284T	LM03628	C/A	4026	MD2S30T61	306	230/460	77.0	82.5	1.0	—	S, US
	3600	284TS	LM03627	C/A	4026	MD2S30TS61	306	230/460	77.0	82.5	1.0	—	S, US
40	1800	286T	LM03636	✓	3564	MD4S30T61	334	230/460	74.0	87.5	1.0	24.6	S, US
	1800	286TS	LM03637	C/A	3564	MD4S30TS61	334	230/460	74.0	87.5	1.0	23.3	S, US
	1200	326T	LM03865	C/A	5262	MD6S30T61	482	230/460	81.0	91.0	1.0	—	S, US
	1200	326TS	LM10640	C/A	5262	MD6S30TS61	482	230/460	81.0	91.0	1.0	26.0	S, US
	3600	286T	LM03651	C/A	4644	MD2S40T61	350	230/460	97.0	87.0	1.0	24.6	S, US
50	3600	286TS	LM03650	C/A	4644	MD2S40TS61	350	230/460	97.0	87.0	1.0	23.2	S, US
	1800	324T	LM03669	✓	4660	MD4S40T61	420	230/460	99.0	95.0	1.0	25.8	S, US
	1800	324TS	LM03670	C/A	4660	MD4S40TS61	420	230/460	99.0	90.2	1.0	24.5	S, US
	1200	364T	LM03703	C/A	9587	MD6S40T61	655	230/460	176.0	84.0	1.0	28.4	S, US
	1200	364TS	LM10641	C/A	9587	MD6S40TS61	655	230/460	176.0	84.0	1.0	26.3	S, US
50	3600	324T	LM03682	C/A	5576	MD2S50T61	425	230/460	122.0	89.5	1.0	25.8	S, US
	3600	324TS	LM03681	✓	5576	MD2S50TS61	425	230/460	122.0	89.5	1.0	—	S, US
	1800	326T	LM03683	✓	4952	MD4S50T61	476	230/460	124.0	89.5	1.0	27.3	S, US
	1800	326TS	LM03684	C/A	4952	MD4S50TS61	476	230/460	124.0	89.5	1.0	25.8	S, US
	1200	365T	LM03720	C/A	7490	MD6S50T61	690	230/460	140.0	91.7	1.0	—	S, US
1200	365TS	LM10642	C/A	7490	MD6S50TS61	690	230/460	140.0	91.7	1.0	—	S, US	

▼ LM Numbers are Lincoln Models

♥ Note listing on inside back flap

C/A - Check Availability

Continued On Next Page

Specifications are subject to change without notice

View On-line Technical Information



Single Phase
ODP Motors

Single Phase
TEFC Motors

Single Phase
C Face Motors

Three Phase
ODP Motors

Three Phase
TEFC Motors

Three Phase
C Face Motors

Inverter Duty
Motors

Severe Duty
Motors

Explosion Proof
Motors

Severe Duty Motors

ODP-Encapsulated Multiguard®

Three Phase - Drip-Proof - Rigid Base

HP	SYN RPM 60 Hz	NEMA Frame	▼ Catalog Number	Stock	List Price	Model Number	App. Wgt. (lbs)	Voltage	F. L. Amps @ 230 V	% F.L. Eff.	Service Factor	"C" Dim. (Inches)	♥Notes	
60	3600	326T	LM03692	C/A	6441	MD2S60T61	484	230/460	154.0	89.5	1.0	27.3	S, US	
		326TS	LM03691	C/A	6441	MD2S60TS61	484	230/460	154.0	89.5	1.0	24.5	S, US	
	1800	364T	LM03709	C/A	6730	MD4S60T61	627	230/460	144.0	91.7	1.0	28.4	S, US	
		364TS	LM03708	C/A	6730	MD4S60TS61	627	230/460	144.0	91.7	1.0	26.3	S, US	
	1200	404T	LM03785	C/A	10454	MD6S60T61	855	230/460	158.0	91.7	1.0	32.3	S, US	
		404TS	LM10643	C/A	10454	MD6S60TS61	855	230/460	158.0	91.7	1.0	29.3	S, US	
75	3600	364T	LM03719	C/A	9814	MD2S75T61	644	230/460	171.0	91.0	1.0	28.4	S, US	
		364TS	LM03718	C/A	9814	MD2S75TS61	644	230/460	171.0	91.0	1.0	26.3	S, US	
	1800	365T	LM03729	√	7152	MD4S75T61	707	230/460	184.0	92.4	1.0	29.4	S, US	
		365TS	LM03728	C/A	7152	MD4S75TS61	697	230/460	184.0	92.4	1.0	27.3	S, US	
	1200	405T	LM03799	C/A	10599	MD6S75T61	948	230/460	196.0	91.7	1.0	33.8	S, US	
		405TS	LM03800	C/A	10599	MD6S75TS61	948	230/460	196.0	91.7	1.0	30.8	S, US	
100	3600	365T	LM03740	C/A	9239	MD2S100T61	712	230/460	244.0	90.2	1.0	29.4	S, US	
		365TS	LM03739	C/A	9239	MD2S100TS61	712	230/460	244.0	90.2	1.0	27.3	S, US	
	1800	404T	LM03791	C/A	9519	MD4S100T61	865	230/460	230.0	94.1	1.0	32.3	S, US	
		404TS	LM03790	C/A	9519	MD4S100TS61	865	230/460	230.0	94.1	1.0	29.3	S, US	
	1200	444T	LM03752	C/A	14432	MD6S100T64PY	1213	460	137*	93.6	1.0	37.4	S, US	
		444TS	LM03753	C/A	14432	MD6S100TS64PY	1213	460	137*	94.1	1.0	—	S, US	
125	3600	404T	LM10644	C/A	13193	MD2S125T61	875	230/460	294.0	92.4	1.0	32.3	S, US	
		404TS	LM03797	C/A	13193	MD2S125TS61	875	230/460	294.0	92.4	1.0	29.3	S, US	
	1800	405T	LM03809	√	10808	MD4S125T61	972	230/460	290.0	94.1	1.0	33.8	S, US	
		405TS	LM03808	C/A	10808	MD4S125TS61	972	230/460	290.0	94.1	1.0	30.8	S, US	
	1200	445T	LM03768	C/A	16854	MD6S125T64PY	1377	460	154*	94.1	1.0	—	S, US	
		445TS	LM10645	C/A	16854	MD6S125TS64PY	1377	460	154*	94.1	1.0	—	S, US	
150	3600	405T	LM03816	C/A	13271	MD2S150T61	978	230/460	368.0	92.4	1.0	33.8	S, US	
		405TS	LM03815	C/A	13271	MD2S150TS61	978	230/460	368.0	92.4	1.0	30.8	S, US	
	1800	444T	LM03761	C/A	14268	MD4S150T64PY	1230	460	175*	95.0	1.0	37.4	S, US	
		444TS	LM03760	C/A	14268	MD4S150TS64PY	1230	460	175*	95.0	1.0	33.5	S, US	
	200	1800	445T	LM03773	C/A	17412	MD4S200T64PY	1440	460	222*	94.1	1.0	39.6	S, US
		1800	445TS	LM03772	C/A	17412	MD4S200TS64PY	1440	460	222*	94.5	1.0	—	S, US
250	1800	445T	LM03780	C/A	18200	MD4S250T64PY	1500	460	293*	95.0	1.0	39.4	S, US	
	1800	445TS	LM03779	C/A	18200	MD4S250TS64PY	1500	460	293*	93.6	1.0	—	S, US	

* Amps at 460 Volt

♥ Note listing on inside back flap

▼ LM Numbers are Lincoln Models

C/A - Check Availability

Specifications are subject to change without notice



View On-line Technical Information

Severe Duty Motors

ODP-Encapsulated Multiguard®

Three Phase - Drip-Proof - C Face With Base

HP	SYN RPM 60 Hz	NEMA Frame	▼ Catalog Number	Stock	List Price	Model Number	App. Wgt. (lbs)	Voltage	F. L. Amps @ 230 V	% F.L. Eff.	Service Factor	"C" Dim. (Inches)	♥Notes
15	1200	284TC	LM03616	C/A	3515	MD6S15TC61	287	230/460	43.0	86.5	1.0	23.2	S, US
	1200	284TSC	LM03615	C/A	3515	MD6S15TSC61	287	230/460	43.0	86.5	1.0	23.2	S, US
20	1200	286TC	LM03633	C/A	3859	MD6S20TC61	335	230/460	55.0	87.5	1.0	24.7	S, US
	1200	286TSC	LM03632	C/A	3859	MD6S20TSC61	335	230/460	55.0	87.5	1.0	—	S, US
25	1800	284TC	LM03623	C/A	3442	MD4S25TC61	303	230/460	63.0	85.5	1.0	23.2	S, US
	1800	284TSC	LM03619	C/A	3442	MD4S25TSC61	303	230/460	63.0	85.5	1.0	21.8	S, US
	1200	324TC	LM03666	C/A	5144	MD6S25TC61	432	230/460	70.0	88.5	1.0	—	S, US
30	1800	286TC	LM03643	√	3495	MD4S30TC61	343	230/460	74.0	87.5	1.0	24.7	S, US
	1800	286TSC	LM03639	C/A	3495	MD4S30TSC61	343	230/460	74.0	87.5	1.0	—	S, US
	1200	326TC	LM20488	C/A	5602	SE6S30TC61	482	230/460	81.0	91.0	1.0	—	S, US
40	1800	324TC	LM03673	C/A	5000	MD4S40TC61	439	230/460	99.0	90.2	1.0	25.9	S, US
	1800	324TSC	LM03671	√	5000	MD4S40TSC61	439	230/460	90.0	90.2	1.0	27.5	S, US
50	1200	364TC	LM03705	C/A	7990	MD6S40TC61	667	230/460	176.0	84.0	1.0	28.6	S, US
	1800	326TC	LM03686	√	5290	MD4S50TC61	486	230/460	124.0	89.5	1.0	27.4	S, US
	1800	326TSC	LM03685	C/A	5290	MD4S50TSC61	486	230/460	124.0	89.5	1.0	25.9	S, US
60	1200	365TC	LM03724	C/A	8714	MD6S50TC61	702	230/460	140.0	91.7	1.0	—	S, US
	1800	364TC	LM03711	C/A	7720	MD4S60TC61	639	230/460	144.0	91.7	1.0	28.4	S, US
	1800	364TSC	LM03713	C/A	7720	MD4S60TSC61	639	230/460	144.0	91.7	1.0	26.3	S, US
75	1800	365TC	LM03730	C/A	8658	MD4S75TC61	709	230/460	184.0	92.4	1.0	29.6	S, US
	1800	365TSC	LM03733	C/A	8658	MD4S75TSC61	709	230/460	184.0	92.4	1.0	27.3	S, US
	1200	405TC	LM03804	C/A	11248	MD6S75TC61	964	230/460	196.0	91.7	1.0	—	S, US
100	1800	404TC	LM03792	C/A	10169	MD4S100TC61	881	230/460	230.0	94.1	1.0	—	S, US
	1800	404TSC	LM03794	C/A	10164	MD4S100TSC61	881	230/460	230.0	94.1	1.0	29.2	S, US
	1200	444TSC	LM03755	C/A	15233	MD6S100TSC64PY	1234	460	125*	94.1	1.0	—	S, US
125	1800	405TC	LM03810	√	11455	MD4S125TC61	988	230/460	290.0	93.0	1.0	—	S, US
	1800	405TSC	LM03812	√	11455	MD4S125TSC61	988	230/460	290.0	94.1	1.0	30.7	S, US
	1200	445TSC	LM03770	C/A	17655	MD6S125TSC64PY	1398	460	167*	94.5	1.0	35.5	S, US
150	1800	444TSC	LM03763	C/A	15069	MD4S150TSC64PY	1251	460	174*	92.4	1.0	33.0	S, US
200	1800	445TSC	LM03776	√	18214	MD4S200TSC64PY	1435	460	222*	94.5	1.0	35.0	S, US
250	1800	445TSC	LM16564	C/A	19000	SE4S250TSC64PY	1600	460	*	93.6	1.0	—	

* Amps at 460 Volt

♥ Note listing on inside back flap

▼ LM Numbers are Lincoln Models

C/A - Check Availability

Specifications are subject to change without notice

View On-line Technical Information



Single Phase
ODP Motors

Single Phase
TEFC Motors

Single Phase
C Face Motors

Three Phase
ODP Motors

Three Phase
TEFC Motors

Three Phase
C Face Motors

Inverter Duty
Motors

Severe Duty
Motors

Explosion Proof
Motors

Single Phase
ODP MotorsSingle Phase
TEFC MotorsSingle Phase
C Face MotorsThree Phase
ODP MotorsThree Phase
TEFC MotorsThree Phase
C Face MotorsInverter Duty
MotorsSevere Duty
MotorsExplosion Proof
Motors

Severe Duty Motors

ODP-Encapsulated Multiguard®

Three Phase - Drip-Proof - Double C Face/Double Shaft - With Base

HP	SYN RPM 60 Hz	NEMA Frame	▼ Catalog Number	Stock	List Price	Model Number	App. Wgt. (lbs)	Voltage	F. L. Amps @ 230 V	% F.L. Eff.	Service Factor	"C" Dim. (Inches)	♥Notes
15	1200	284TC	LM10725	C/A	3972	MD6S15TCTMC61	295	230/460	43.0	86.5	1.0	---	S, US
	1200	284TSC	LM10726	C/A	3972	MD6S15TSCTSC61	295	230/460	55.0	87.5	1.0	---	S, US
20	1200	286TC	LM10727	C/A	4316	MD6S20TCTMC61	342	230/460	55.0	87.5	1.0	29.1	S, US
	1200	286TSC	LM03634	C/A	4316	MD6S20TSCTSC61	342	230/460	---	84.0	1.0	---	S, US
25	1800	284TC	LM03624	C/A	4055	MD4S25TCTMC61	310	230/460	---	87.5	1.0	---	S, US
	1800	284TSC	LM03625	C/A	3898	MD4S25TSCTSC61	310	230/460	63.0	85.5	1.0	5.5	S, US
	1200	324TC	LM03667	C/A	5548	MD6S25TCTMC61	442	230/460	70.0	88.5	1.0	---	S, US
	1200	324TSC	LM03668	C/A	5548	MD6S25TSCTSC61	442	230/460	---	89.5	1.0	---	S, US
30	1800	286TC	LM03644	✓	4225	MD4S30TCTMC61	348	230/460	75.0	89.5	1.0	29.1	S, US
	1800	286TSC	LM03645	C/A	4225	MD4S30TSCTSC61	348	230/460	74.0	87.5	1.0	27.0	S, US
	1200	326TC	LM10730	C/A	6008	MD6S30TCTMC61	502	230/460	81.0	91	1.0	32.5	S, US
	1200	326TSC	LM03866	C/A	6009	MD6S30TSCTSC61	502	230/460	81.0	91.7	1.0	30.2	S, US
40	1800	324TC	LM03674	C/A	5405	MD4S40TCTMC61	440	230/460	99.0	90.2	1.0	31.0	S, US
	1800	324TSC	LM03675	C/A	5403	MD4S40TSCTSC61	440	230/460	99.0	90.2	1.0	28.5	S, US
50	1200	364TC	LM03706	C/A	7596	MD6S40TCTMC61	679	230/460	---	91.7	1.0	---	S, US
	1200	364TSC	LM03707	C/A	7596	MD6S40TSCTSC61	679	230/460	124.0	90.2	1.0	30.5	S, US
	1800	326TC	LM03687	C/A	5697	MD4S50TCTMC61	496	230/460	124.0	89.5	1.0	32.5	S, US
	1800	326TSC	LM27884	C/A	5697	MD4S50TSCT61Y	496	230/460	124.0	89.5	1.0	30.2	S, US
60	1200	365TC	LM03725	C/A	9751	MD6S50TCTMC61	714	230/460	---	91.7	1.0	---	S, US
	1200	365TSC	LM03726	✓	9751	MD6S50TSCTSC61	714	230/460	151.0	90.2	1.0	31.5	S, US
	1800	364TC	LM03714	C/A	7855	MD4S60TCTMC61	651	230/460	144.0	91.7	1.0	33.5	S, US
	1800	364TSC	LM03715	C/A	7856	MD4S60TSCTSC61	651	230/460	154.0	92.4	1.0	---	S, US
75	1200	404TC	LM03787	C/A	11651	MD6S60TCTMC61	887	230/460	---	92.4	1.0	---	S, US
	1200	404TSC	LM03788	C/A	11651	MD6S60TSCTSC61	887	230/460	177.0	93.6	1.0	34.0	S, US
	1800	365TC	LM03735	✓	8276	MD4S75TCTMC61	721	230/460	184.0	92.4	1.0	34.5	S, US
	1800	365TSC	LM03736	C/A	8276	MD4S75TSCTSC61	721	230/460	184.0	92.4	1.0	31.5	S, US
100	1200	405TC	LM03805	C/A	11795	MD6S75TCTMC61	980	230/460	---	92.4	1.0	---	S, US
	1200	405TSC	LM03806	✓	11796	MD6S75TSCTSC61	980	230/460	---	92.4	1.0	---	S, US
	1800	404TC	LM10741	C/A	10715	MD4S100TCTMC61	897	230/460	---	93.0	1.0	---	S, US
	1800	404TSC	LM03795	C/A	10715	MD4S100TSCTSC61	897	230/460	250.0	94.1	1.0	34.0	S, US
125	1200	444TC	LM03757	C/A	16104	MD6S100TCTMC64PY	1234	460	---	94.1	1.0	---	S, US
	1200	444TSC	LM03758	C/A	16106	MD6S100TSCTSC64PY	1234	460	---	94.1	1.0	---	S, US
	1800	405TC	LM10744	C/A	12003	SE4S125TCTMC61	1004	230/460	---	93.0	1.0	---	S, US
	1800	405TSC	LM03813	C/A	12004	MD4S125TSCTSC61	1004	230/460	302.0	93.6	1.0	35.5	S, US
150	1200	445TC	LM10745	C/A	18527	MD6S125TCTMC64PY	1419	460	---	94.1	1.0	---	S, US
	1200	445TSC	LM03771	C/A	18527	MD6S125TSCTSC64PY	1419	460	---	94.1	1.0	---	S, US
	1800	444TC	LM03764	C/A	15942	MD4S150TCTMC64PY	1272	460	175.0*	95.0	1.0	39.0	S, US
	200	1800	445TC	LM10749	C/A	19086	MD4S200TCTMC64PY	1482	460	---	94.5	1.0	---
250	1800	445TSC	LM03777	C/A	19086	MD4S200TSCTSC64PY	1482	460	---	94.5	1.0	---	S, US
	1800	445TC	LM10750	C/A	19874	MD4S250TCTMC64PY	1600	460	---	93.6	1.0	---	S, US
1800	445TSC	LM10751	C/A	19874	MD4S250TSCTSC64PY	1600	460	---	93.6	1.0	---	S, US	

* Amps at 460 Volt

♥ Note listing on inside back flap

▼ LM Numbers are Lincoln Models

C/A - Check Availability

Specifications are subject to change without notice



View On-line Technical Information



CUSTOMIZED AND MODIFIED PRODUCTS

Custom Motors, Gearboxes & Gearmotors

LEESON is a leading designer and manufacturer of application-specific AC and DC motors and gearmotors in sub-fractional, fractional and integral horsepower sizes. We offer a database of over 30,000 custom designs, experienced application and design engineering teams, and the unique collaborative environment of the LEESON Design Center to ensure the best, most cost-effective custom motor solution.

Custom Multi-Speed & Low-Speed Motors

LEESON's PDQ Modular Production Program utilizes specially designed and standard components to make almost any imaginable NEMA frame multi-speed or low-speed motor available when you need it. We pride ourselves on fast turnaround times on highly customized motors.

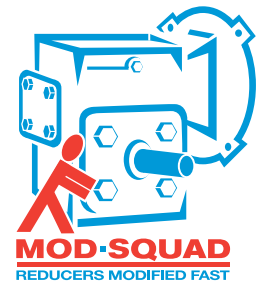
Custom motors include two, three and four-speed motors and speed ranges of 900, 720, 600, 450 and 300 RPMs. We also specialize in non-standard shaft designs. **For quotations, availability and application assistance, phone toll-free to our Canadian manufacturing facility at 1-800-463-1797.**

Mod-Squad Program

Quick-turnaround stock motor modifications are available through the LEESON Motor Mod-Squad. Adding cords or switches, changing mountings, extending leads and incorporating various severe-duty features are among the many standard modifications offered.

Modified stock gear reducers are offered on a quick-ship basis through the LEESON Gear Mod-Squad. A wide array of mountings, shaft extensions and other changes are available for 600 Series IRONMAN® reducers. In addition, modified stock Gear+Motor™ packages can be created, drawing on LEESON's extensive range of NEMA C face motors.

For complete stock products information, visit our online technical database at www.leeson.com/findaproduct.



Single Phase
ODP Motors

Single Phase
TEFC Motors

Single Phase
C Face Motors

Three Phase
ODP Motors

Three Phase
TEFC Motors

Three Phase
C Face Motors

Inverter Duty
Motors

Severe Duty
Motors

Explosion Proof
Motors



Explosion Proof Motors

Single Phase
ODP Motors

Single Phase
TEFC Motors

Single Phase
C Face Motors

Three Phase
ODP Motors

Three Phase
TEFC Motors

Three Phase
C Face Motors

Inverter Duty
Motors

Severe Duty
Motors

Explosion Proof
Motors



- Meets all UL and CSA safety requirements
- Single and three phase motors
- Double shielded ball bearings
- Automatic overload protection or thermostat protected
- Double shielded ball bearings
- Includes explosion proof conduit box
- NEMA 1.0 or 1.15 service factor
- 1 year warranty
- 3 year warranty on premium efficient models

Applications:

These motors must be applied in accordance with the National Electrical Code, Article #500. Consult NFPA Publication 497M for a complete listing of explosive agents that are typically found in the environments that these motors are exposed to.



Application Notes

These motors must be applied in accordance with the National Electrical Code, Article #500.

A partial listing of explosive agents is noted below. Consult NFPA Publication 497M for a complete listing. Please note subheads above each column for qualifications of LEESON motors.

Features:

- Meets UL and CSA safety requirements
- Automatic overload protected
- Explosion rated conduit box included
- Internal mounted capacitors
- Double shielded ball bearings

Rating Information:

Division I areas are environments where a hazard is present continuously or would be subject to fire or explosion if the hazard was present as a result of an accident or uncommon occurrence.

Division II areas are environments where the threat of fire or explosion is not normally present and not likely to result in the event of an abnormal occurrence.

Application Notes:

Class I

Group A: Acetylene

Group B: Butadiene, ethylene oxide, hydrogen, propylene oxide, manufactured gases containing more than 30% hydrogen by volume.

Group C: Acetaldehyde, cyclopropane, diethyl ether, ethylene.

Group D: Acetone, acrylonitrile, ammonia, benzene, butane, ethanol, ethylene dichloride, gasoline, hexane, isoprene, methane (natural gas), methanol, naphtha, propane, propylene, styrene, toluene, vinyl acetate, vinyl chloride, xylene.

Class II

Group E: Aluminum, magnesium and other metal dusts with similar characteristics.

Group F: Carbon black, coke or coal dust.

Group G: Flour, starch or grain dust.

Note: No LEESON motors are listed for Class I, Group A or B.



Explosion-Proof Motors

Single Phase - Rigid Base

Division I, Division II, Class I, Groups C & D - Class II, Groups F & G - W/Conduit Box

HP	SYN RPM 60 Hz	NEMA Frame	Catalog Number	Stock	List Price	Model Number	App. Wgt. (lbs)	Voltage	Over-load Prot.	F. L. Amps @ 230 V	Service Factor	"C" Dim. (Inches)	♥Notes
1/3	1800	56	111074.00	✓	749	A6C17EB20	35	115/208-230	Auto.	2.9	1.0	12.97	S, US, 12
1/2	1800	56H	111084.00	✓	826	A6C17XB22	41	115/208-230	Auto.	4.4	1.0	13.58	S, US, 6, 13
3/4	1800	56H	110934.00	✓	975	A6C17XB21	46	115/208-230	Auto.	5.5	1.0	14.08	S, US, 6, 13
1	1800	56H	110961.00	✓	1107	A6C17XB20	47	115/208-230	Auto.	6.7	1.0	14.08	S, US, 6, 13

Specifications are subject to change without notice

♥ Note listing on inside back flap

Single Phase - C Face Less Base

Division I, Division II, Class I, Groups C & D - Class II, Groups F & G - W/Conduit Box

HP	SYN RPM 60 Hz	NEMA Frame	Catalog Number	Stock	List Price	Model Number	App. Wgt. (lbs)	Voltage	Over-load Prot.	F. L. Amps @ 230 V	Service Factor	"C" Dim. (Inches)	♥Notes
1/3	3600	56C	111095.00	✓	788	A6C34EC20	38	115/208-230	Auto.	2.2	1.0	13.44	S, US, 13
	1800	56C	111075.00	✓	826	A6C17EC20	41	115/208-230	Auto.	2.9	1.0	12.97	S, US, 12
1/2	3600	56C	111098.00	✓	796	A6C34XC22	35	115/208-230	Auto.	4.2	1.0	13.44	S, US, 13
	3600	56J	116188.00	✓	752	A6C34XC31	35	115/208-230	Auto.	3.8	1.0	13.96	S, US, 13
	1800	56C	111085.00	✓	916	A6C17XC22	45	115/208-230	Auto.	4.4	1.0	13.94	S, US, 13
3/4	3600	56C	111097.00	✓	854	A6C34XC21	40	115/208-230	Auto.	5.0	1.0	13.96	S, US, 13
	3600	56J	116186.00	✓	847	A6C34XC32	40	115/208-230	Auto.	5.0	1.0	14.46	S, US, 13
	1800	56C	111086.00	✓	1017	A6C17XC21	50	115/208-230	Auto.	5.5	1.0	14.44	S, US, 13
1	3600	56C	111096.00	✓	916	A6C34XC20	49	115/208-230	Auto.	6.2	1.0	14.44	S, US, 13
	3600	56J	116185.00	✓	909	A6C34XC33	49	115/208-230	Auto.	6.0	1.0	14.96	S, US, 13
	1800	56C	110852.00	✓	1160	A6C17XC20	53	115/208-230	Auto.	6.7	1.0	14.44	S, US, 13
1 1/2	3600	56C	114424.00	✓	1315	A6C34XC26	44	115/208-230	Auto.	8.5	1.0	14.96	S, US, 13
	3600	56J	116183.00	✓	1164	A6C34XC34	54	115/208-230	Auto.	8.5	1.0	14.95	S, US, 13
2	3600	56C	114425.00	✓	1617	A6C34XC27	54	115/208-230	Auto.	10.5	1.0	14.94	S, US, 13
	3600	56J	116181.00	✓	1267	A6C34XC35	54	115/208-230	Auto.	10.5	1.0	15.45	S, US, 13

Specifications are subject to change without notice

♥ Note listing on inside back flap

Single Phase - C Face With Base

Division I, Division II, Class I, Groups C & D - Class II, Groups F & G - W/Conduit Box

HP	SYN RPM 60 Hz	NEMA Frame	Catalog Number	Stock	List Price	Model Number	App. Wgt. (lbs)	Voltage	Over-load Prot.	F. L. Amps @ 230 V	Service Factor	"C" Dim. (Inches)	♥Notes
1/3	3600	56C	116605.00	✓	815	A6C34XK7	39	115/208-230	Auto.	2.6	1.0	13.44	S, US, 13
	1800	56C	116606.00	✓	852	A6C17XK33	42	115/208-230	Auto.	3.3	1.0	13.44	S, US, 13
	1200	56C	116607.00	✓	975	A6C17XK31	45	115/208-230	Auto.	3.9	1.0	13.94	S, US, 6, 13
1/2	3600	56C	116608.00	✓	822	A6C34XK6	36	115/208-230	Auto.	3.8	1.0	13.44	S, US, 6, 13
	1800	56C	116609.00	✓	944	A6C17XK32	46	115/208-230	Auto.	4.4	1.0	13.94	S, US, 6, 13
	1200	56HC	116610.00	✓	1057	A6C17XK34	56	115/208-230	Auto.	4.7	1.0	14.94	S, US, 6, 13
3/4	3600	56C	116611.00	✓	879	A6C34XK5	41	115/208-230	Auto.	5.3	1.0	13.94	S, US, 6, 13
	1800	56C	116612.00	✓	1044	A6C17XK30	51	115/208-230	Auto.	5.5	1.0	14.44	S, US, 6, 13
1	3600	56C	116613.00	✓	944	A6C34XK4	50	115/208-230	Auto.	6.3	1.0	14.44	S, US, 6, 13
	1800	56C	116614.00	✓	1150	A6C17XK29	54	115/208-230	Auto.	6.7	1.0	14.44	S, US, 6, 13
1 1/2	3600	56C	116615.00	✓	1339	A6C34XK3	45	115/208-230	Auto.	8.5	1.0	14.44	S, US, 6, 13
2	3600	56C	116616.00	✓	1640	A6C34XK2	58	115/208-230	Auto.	10.5	1.0	14.94	S, US, 6, 13

Specifications are subject to change without notice

♥ Note listing on inside back flap



View On-line Technical Information



Explosion-Proof Motors

Three Phase - Rigid Base

Division I, Division II, Class I, Groups C & D - Class II, Groups F & G - W/Conduit Box

HP	SYN RPM 60 Hz	NEMA Frame	Catalog Number	Stock	List Price	Model Number	App. Wgt. (lbs)	Voltage	Over-load Prot.	F. L. Amps @ 230 V	% F.L. Eff.	Service Factor	"C" Dim. (Inches)	♥Notes
1/3	1800	56	111932.00	✓	765	A6T17EB22	33	208-230/460	Auto	1.3	76.00	1.0	10.97	S, US, 12
	1200	56H	111940.00	✓	1098	A6T11EB21	39	208-230/460	Auto	1.5	70.00	1.0	13.97	S, US, 12
1/2	3600	56	111934.00	✓	874	A6T34EB22	39	208-230/460	Auto	1.6	82.50	1.0	12.47	S, US, 12
	1800	56	111929.00	✓	795	A6T17EB21	32	208-230/460	Auto	1.7	75.00	1.0	12.47	S, US, 12
3/4	3600	56H	111938.00	✓	1163	A6T11XB22	44	208-230/460	Auto	2.0	71.00	1.0	13.47	S, US, 6, 12
	1800	56	111937.00	✓	914	A6T34XB21	37	208-230/460	Auto	3.2	75.50	1.0	13.44	S, US, 13
1	3600	56	111923.00	✓	923	A6T17XB21	38	208-230/460	Auto	3.0	75.00	1.0	13.94	S, US, 13
	1800	56	111942.00	✓	965	A6T34XB20	34	208-230/460	Auto	3.6	77.00	1.0	13.44	S, US, 13
1 1/2	3600	56H	111922.00	✓	1003	A6T17XB20	45	208-230/460	Auto	3.6	78.00	1.0	13.94	S, US, 6, 12
	1800	143T	121914.00	✓	1103	A143T34XB25	49	208-230/460	Auto	4.0	84.00	1.0	14.41	S, US, 13
2	3600	145T	121915.00	✓	1228	A145T17XB28	59	208-230/460	Auto	4.8	86.50	1.0	14.41	S, US, 13
	1800	145T	121916.00	✓	1137	A145T34XB25	55	208-230/460	Auto	4.8	85.50	1.0	15.41	S, US, 13
3	3600	145T	121917.00	✓	1363	C145T17XB27	60	208-230/460	Auto	5.8	86.50	1.0	15.41	S, US, 13
	1800	145T	121918.00	✓	1344	U145T34XB26	56	208-230/460	T-Stats	4.8	86.50	1.0	15.91	S, US, 13

Green items are Premium Efficient

♥ Note listing on inside back flap

Specifications are subject to change without notice

Three Phase - C Face Less Base

Division I, Division II, Class I, Groups C & D - Class II, Groups F & G - W/Conduit Box

HP	SYN RPM 60 Hz	NEMA Frame	Catalog Number	Stock	List Price	Model Number	App. Wgt. (lbs)	Voltage	Over-load Prot.	F. L. Amps @ 230 V	% F.L. Eff.	Inverter Speed Range	Service Factor	"C" Dim. (Inches)	♥Notes
1/3	3600	56C	111944.00	✓	913	A6T34EC23	36	208-230/460	Auto	1.2	77.00	2 : 1	1.0	11.97	S, US, 12
	1800	56C	111931.00	✓	981	A6T17EC23	29	208-230/460	Auto	1.2	76.00	2 : 1	1.0	11.97	S, US, 12
1/2	3600	56C	111933.00	✓	951	A6T34EC22	33	208-230/460	Auto	1.6	82.50	2 : 1	1.0	12.47	S, US, 12
	3600	56J	116187.00	✓	929	A6T34EC28C	33	208-230/460	Auto	1.6	82.50	2 : 1	1.0	12.98	S, US, 12
3/4	3600	56C	111930.00	✓	1039	A6T17EC22	34	208-230/460	Auto	1.7	75.00	2 : 1	1.0	12.47	S, US, 12
	1800	56C	111936.00	✓	981	A6T34XC21	27	208-230/460	Auto	2.4	75.50	2 : 1	1.0	13.44	S, US, 13
1	3600	56C	111935.00	✓	1056	A6T17XC23	36	208-230/460	Auto	3	75.00	2 : 1	1.0	13.94	S, US, 13
	3600	56C	111943.00	✓	1027	A6T34XC20	30	208-230/460	Auto	3.2	77.00	2 : 1	1.0	13.44	S, US, 13
1 1/2	3600	56J	116184.00	✓	1000	A6T34XC31	33	208-230/460	Auto	3.2	77.00	2 : 1	1.0	13.95	S, US, 13
	1800	56C	111926.00	✓	1107	A6T17XC22	46	208-230/460	Auto	3.6	78.00	2 : 1	1.0	13.94	S, US, 13
2	3600	56C	111939.00	✓	1168	A6T34XC25	48	208-230/460	Auto	4.2	81.50	2 : 1	1.0	13.94	S, US, 13
	3600	56J	116182.00	✓	1025	A6T34XC30	48	208-230/460	Auto	4.2	81.50	2 : 1	1.0	14.46	S, US, 13
3	3600	56C	111941.00	✓	1192	A6T17XC24	46	208-230/460	Auto	4.4	80.00	2 : 1	1.0	15.94	S, US, 13
	3600	56C	113971.00	✓	1306	A6T34XC26	50	208-230/460	Auto	5.6	82.50	2 : 1	1.15	13.94	S, US, 13
5	3600	56J	116180.00	✓	1071	A6T34XC29	50	208-230/460	Auto	5.6	82.50	2 : 1	1.0	14.45	S, US, 13
	1800	145TC	G121178.00	✓	1291	A145T17XC4	55	208-230/460	Auto	5.6	84.00	2 : 1	1.0	15.03	S, US, 13
7 1/2	3600	56C	114419.00	✓	1454	A6T34XC28	54	208-230/460	Auto	7.6	84.00	2 : 1	1.0	15.44	S, US, 13
	1800	182TC	G825116.00	✓	1680	182TTGS14057	96	230/460	T-Stat	8.5	87.50	2 : 1	1.0	17.87	S, US, 13
10	3600	184TC	G825190.00	†	1797	184TTGN4013	133	230/460	T-Stat	11.8	87.5	2 : 1	1.0	18.62	S, US, 13
	1800	184TC	G825128.00	✓	1925	184TTGN14030	116	230/460	T-Stat	13.8	87.50	2 : 1	1.0	17.87	S, US, 13
15	3600	213TC	G825188.00	C/A	2700	213TTGN14005	241	230/460	T-Stat	19.0	88.5	2 : 1	1.0	22.25	S, US, 13
	1800	213TC	G825192.00	C/A	2671	213TTGN4050	194	230/460	T-Stat	20.0	89.5	2 : 1	1.0	23.45	S, US, 13
20	3600	215TC	G825193.00	C/A	2834	215TTGN4031	271	230/460	T-Stat	24.0	90.2	2 : 1	1.0	22.25	S, US, 13
	1800	215TC	G825194.00	C/A	2813	215TTGN4051	216	230/460	T-Stat	25.0	86.5	2 : 1	1.0	23.45	S, US, 13
25	3600	254TC	G825195.00	C/A	3586	254TTGP14014	301	230/460	T-Stat	35.0	90.2	2 : 1	1.0	24.19	S, US, 13
	1800	254TC	G825196.00	C/A	4202	T254T17XC1A	370	230/460	T-Stat	39.0	91.0	2 : 1	1.0	25.77	S, US, 13
30	3600	256TC	G825197.00	C/A	4817	256TTGN14013	340	230/460	T-Stat	47.0	90.2	2 : 1	1.0	25.77	S, US, 13
	1800	256TC	G825198.00	C/A	4791	256TTGN14046	315	230/460	T-Stat	50.0	91.0	2 : 1	1.0	25.94	S, US, 13

† - Explosion-proof motors are Class I, Group D—Class II, Groups F & G.

♥ Note listing on inside back flap

C/A - Check Availability

Specifications are subject to change without notice

View On-line Technical Information



Single Phase
ODP Motors

Single Phase
TEFC Motors

Single Phase
C Face Motors

Three Phase
ODP Motors

Three Phase
TEFC Motors

Three Phase
C Face Motors

Inverter Duty
Motors

Severe Duty
Motors

Explosion Proof
Motors

Explosion-Proof Motors

Three Phase - C Face With Base

Division I, Division II, Class I, Groups C & D Class II, Groups F & G - W/Conduit Box

HP	SYN RPM 60 Hz	NEMA Frame	Catalog Number	Stock	List Price	Model Number	App. Wgt. (lbs)	Voltage	Over-load Prot.	F. L. Amps @ 230 V	% F.L. Eff.	Service Factor	"C" Dim. (Inches)	♥Notes
1/3	3600	56C	114625.00	✓	923	A6T34EK1	33	208-230/460	Auto.	1.2	77.00	1.0	11.97	S, US, 12
	1800	56C	114626.00	✓	997	A6T17EK7	38	208-230/460	Auto.	1.3	76.00	1.0	11.97	S, US, 12
1/2	3600	56C	114627.00	✓	962	A6T34EK2	35	208-230/460	Auto.	1.6	82.50	1.0	12.47	S, US, 12
	1800	56C	114628.00	✓	1043	A6T17EK8	35	208-230/460	Auto.	1.7	75.00	1.0	12.47	S, US, 12
3/4	3600	56C	116190.00	✓	1311	C6T17XK23	34	208-230/460	T-Stat	2.4	68.00	1.0	13.44	S, US, 13
	1800	56C	114629.00	✓	994	A6T34XK2	33	208-230/460	Auto.	2.4	75.50	1.0	13.44	S, US, 13
1	3600	56C	114630.00	✓	1063	A6T17XK11	42	208-230/460	Auto.	2.6	75.00	1.0	13.94	S, US, 13
	1800	56C	116191.00	✓	1337	C6T17XK24	38	208-230/460	T-Stat	3	75.50	1.0	13.44	S, US, 13
1 1/2	3600	56C	114631.00	✓	1039	A6T34XK3	34	208-230/460	Auto.	3.2	77.00	1.0	13.44	S, US, 13
	1800	56C	114632.00	✓	1128	A6T17XK12	48	208-230/460	Auto.	3.2	85.50	1.0	14.50	S, US, 13
2	3600	143TC	121919.00	✓	1674	C143T17XK3	44	208-230/460	T-Stat	3	82.50	1.0	14.50	S, US, 13
	1800	56C	114633.00	✓	1179	A6T34XK4	42	208-230/460	Auto.	4.2	81.50	1.0	13.94	S, US, 13
3	3600	56C	114634.00	✓	1207	A6T17XK13	45	208-230/460	Auto.	4.4	80.00	1.0	15.94	S, US, 13
	1800	145TC	121920.00	✓	1736	C145T17XK6	58	208-230/460	T-Stat	4.8	86.50	1.15	16.00	S, US, 13
3	3600	56C	114635.00	✓	1167	A6T34XK5	51	208-230/460	Auto.	5.6	78.80	1.0	13.94	S, US, 13
	1800	145TC	121921.00	✓	1461	C145T17XK7	62	208-230/460	Auto.	5.8	86.50	1.0	15.02	S, US, 13
3	3600	145TC	121922.00	✓	1899	C145T17XK8	66	208-230/460	T-Stat	5.8	86.50	1.0	16.50	S, US, 13
	1800	56C	114636.00	v	1462	A6T34XK6	62	208-230/460	Auto.	7.6	84.00	1.0	15.44	S, US, 13

Green items are Premium Efficient

♥ Note listing on inside back flap

v Catalog #114636 is approved for Class I, Group C & D – Class II, Group F service only.

Specifications are subject to change without notice

Three Phase - C Face With Rigid Base - ALL Cast Iron Construction

Division I, Division II, Class I, Group D Class II, Groups F & G • W/Conduit Box

HP	SYN RPM 60 Hz	NEMA Frame	Catalog Number	Stock	List Price	Model Number	App. Wgt. (lbs)	Voltage	Over-load Prot.	F. L. Amps @ 230 V	% F.L. Eff.	Service Factor	"C" Dim. (Inches)	♥Notes
3	3600	182TC	825125.00	✓	1733	182TTGN16508	95	230/460	T-Stat	7.6	87.5	1.15	17.62	C, US
	1800	182TC	825126.00	✓	1733	182TTGN16529	96	230/460	T-Stat	7.8	90.2	1.15	17.60	C, US
5	3600	184TC	825127.00	✓	1849	184TTGN16503	130	230/460	T-Stat	12.0	88.5	1.15	17.62	C, US
	1800	184TC	825071.00	✓	1849	184TTGN16537	130	230/460	T-Stat	12.8	90.2	1.15	17.60	C, US
7 1/2	3600	213TC	825072.00	✓	2776	213TTGN16507	143	230/460	T-Stat	18.0	90.2	1.15	20.68	C, US
	1800	213TC	825073.00	✓	2749	213TTGN16526	143	230/460	T-Stat	18.6	91.7	1.15	20.68	C, US
10	3600	215TC	825074.00	✓	2916	215TTGN16505	160	230/460	T-Stat	23.0	91.7	1.15	20.68	C, US
	1800	215TC	825075.00	✓	2894	215TTGN16526	160	230/460	T-Stat	25.0	91.7	1.15	20.68	C, US
15	3600	254TC	825076.00	✓	3689	254TTGN16507	245	230/460	T-Stat	34.6	91.7	1.15	24.02	C, US
	1800	254TC	825077.00†	✓	4323	254TTGN16540	246	230/460	T-Stat	36.0	92.4	1.15	24.02	C, US
20	3600	256TC	825078.00†	✓	4956	256TTGN16513	271	230/460	T-Stat	46.0	91.0	1.15	25.77	C, US
	1800	256TC	825079.00†	✓	4929	256TTGN16543	273	230/460	T-Stat	49.0	93.0	1.15	25.77	C, US
25	3600	284TSC	825080.00†	✓	5131	284TSTGN16506	373	230/460	T-Stat	56.8	91.7	1.15	24.44	C, US
	1800	284TC	825081.00†	✓	5075	284TTGN16540	375	230/460	T-Stat	59.0	93.6	1.15	26.80	C, US
30	1800	286TC	825082.00†	✓	5766	286TTGN16538	395	230/460	T-Stat	70.0	93.6	1.15	28.30	C, US
40	1800	324TC	825083.00†	✓	7494	324TTGS1603	563	230/460	T-Stat	92.0	94.1	1.15	29.37	C, US
50	1800	326TC	825084.00†	✓	9223	326TTGS16031	585	230/460	T-Stat	117.0	94.5	1.15	30.87	C, US

Green items are Premium Efficient

♥ Note listing on inside back flap

† - Explosion-proof motors are Class I, Groups C & D—Class II, Groups F & G.

Specifications are subject to change without notice



View On-line Technical Information



Explosion-Proof Motors

Three Phase - C Face With Rigid Base - ALL Cast Iron Construction

Division I, Division II, Class I, Groups C & D Class II, Groups F & G -

All Ratings Are Inverter Rated

HP	SYN RPM 60 Hz	NEMA Frame	Catalog Number	Stock	List Price	Model Number	App. Wgt. (lbs)	Voltage	Over-load Prot.	F. L. Amps @ 230 V	% F.L. Eff.	Inverter Speed Range	Service Factor	"C" Dim. (Inches)	Notes
3	1800	182T	825085.00	√	1644	213TTGN16526	107	230/460	T-Stat	7.8	89.5	10 : 1	1.15	17.62	C, US
5	3600	184T	825086.00	√	1733	213TTGN16526	117	230/460	T-Stat	12.0	88.5	2 : 1	1.15	17.62	C, US
	1800	184T	825087.00	√	1703	213TTGN16526	128	230/460	T-Stat	12.8	89.5	10 : 1	1.15	17.62	C, US
7 1/2	3600	213T	825088.00	√	2658	213TTGN16526	183	230/460	T-Stat	18.0	89.5	2 : 1	1.15	21.41	C, US
	1800	213T	825089.00	√	2628	213TTGN16526	228	230/460	T-Stat	18.6	91.7	2 : 1	1.15	20.16	C, US
10	3600	215T	825090.00	√	2789	213TTGN16526	200	230/460	T-Stat	23.6	90.2	2 : 1	1.15	21.41	C, US
	1800	215T	825091.00	√	2776	213TTGN16526	273	230/460	T-Stat	25.0	91.7	2 : 1	1.15	21.41	C, US
15	3600	254T	825092.00	√	3761	213TTGN16526	333	230/460	T-Stat	34.6	91.0	2 : 1	1.15	24.12	C, US
	1800	254T	825093.00	√	3745	213TTGN16526	383	230/460	T-Stat	36.0	92.4	10 : 1	1.15	24.12	C, US
20	3600	256T	825094.00	√	3941	213TTGN16526	383	230/460	T-Stat	46.8	91.0	2 : 1	1.15	25.77	C, US
	1800	256T	825095.00	√	3911	213TTGN16526	285	230/460	T-Stat	48.2	93.0	2 : 1	1.15	25.77	C, US
25	3600	284TS	825096.00	√	5085	213TTGN16526	413	230/460	T-Stat	56.2	91.7	2 : 1	1.15	25.44	C, US
	1800	284T	825097.00	√	4567	213TTGN16526	374	230/460	T-Stat	62.0	93.6	2 : 1	1.15	26.80	C, US
30	3600	286TS	825098.00	√	5188	213TTGN16526	464	230/460	T-Stat	67.6	91.7	2 : 1	1.15	26.94	C, US
	1800	286T	825099.00	√	5146	213TTGN16526	464	230/460	T-Stat	73.0	93.6	2 : 1	1.15	28.30	C, US
40	3600	324TS	825100.00	√	7176	213TTGN16526	515	230/460	T-Stat	94.0	92.4	2 : 1	1.15	27.87	C, US
	1800	324T	825101.00	√	6912	213TTGN16526	535	230/460	T-Stat	95.0	94.1	2 : 1	1.15	29.37	C, US
50	3600	326TS	825102.00	√	9027	213TTGN16526	585	230/460	T-Stat	116.0	93.0	2 : 1	1.15	29.37	C, US
	1800	326T	825103.00	√	8969	213TTGN16526	585	230/460	T-Stat	120.0	94.5	2 : 1	1.0	30.57	C, US
60	3600	364TS	825104.00	C/A	12897	213TTGN16526	890	230/460	T-Stat	134.0	93.6	2 : 1	1.15	29.88	C, US
	1800	364T	825105.00	√	12349	213TTGN16526	992	230/460	T-Stat	138.0	95.0	2 : 1	1.15	32.00	C, US
75	3600	365TS	825106.00	√	14904	213TTGN16526	1025	230/460	T-Stat	168.0	93.6	2 : 1	1.15	30.88	C, US
	1800	365T	825107.00	√	14712	213TTGN16526	1053	230/460	T-Stat	172.0	95.4	2 : 1	1.15	33.00	C, US
100	3600	405TS	825108.00	C/A	20161	213TTGN16526	1168	230/460	T-Stat	216.0	94.1	2 : 1	1.15	34.62	C, US
	1800	405T	825109.00	C/A	17927	213TTGN16526	1322	230/460	T-Stat	226.0	95.4	2 : 1	1.15	37.62	C, US
125	3600	444TS	825110.00	C/A	27831	213TTGN16526	1768	230/460	T-Stat	136.0	95.0	2 : 1	1.15	38.00	C, US
	1800	444T	825111.00	C/A	23385	213TTGN16526	1822	460	T-Stat	141.0*	95.4	10 : 1	1.15	41.75	C, US
150	3600	445TS	825112.00	C/A	32575	213TTGN16526	2072	460	T-Stat	165.0*	95.0	2 : 1	1.15	38.00	C, US
	1800	445T	825113.00	C/A	27255	213TTGN16526	2072	460	T-Stat	172.0*	95.8	10 : 1	1.15	43.69	C, US
200	3600	445TS	825114.00	C/A	39751	213TTGN16526	2332	460	T-Stat	222.0*	95.4	2 : 1	1.15	38.00	C, US
	1800	445T	825115.00	C/A	32213	213TTGN16526	2275	460	T-Stat	226.0*	96.2	2 : 1	1.15	43.69	C, US
250	3600	449TS	G825071.00	C/A	---	213TTGN16526	2480	460	T-Stat	274.0*	95.4	2 : 1	1.0	48.14	C, US
	1800	449T	G825072.00	C/A	---	213TTGN16526	2630	460	T-Stat	285.0*	95.0	2 : 1	1.0	51.85	C, US

These explosion-proof motors are not designed for vertical mounting.

♥ Note listing on inside back flap

Green items are Premium Efficient

* Amps at 460 Volts

C/A - Check Availability

Specifications are subject to change without notice

View On-line Technical Information



Single Phase
ODP Motors

Single Phase
TEFC Motors

Single Phase
C Face Motors

Three Phase
ODP Motors

Three Phase
TEFC Motors

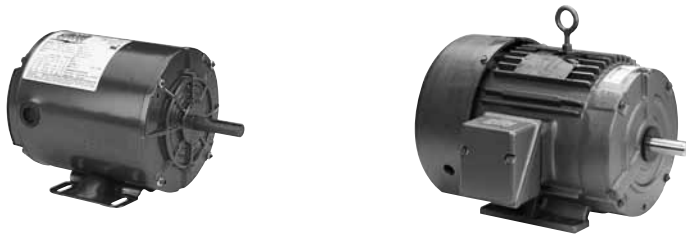
Three Phase
C Face Motors

Inverter Duty
Motors

Severe Duty
Motors

Explosion Proof
Motors

Automotive Duty Motors



- Meets NEMA U-frame dimensions and performance
- Meets or exceeds General Motors GM-7EH, and -7EQ, Ford Emi and Chrysler NPEM-100 specifications
- NEMA design B performance
- Inverter rated
- Oversized cast iron conduit box with threaded conduit holes
- Lower noise designs
- Shielded ball bearing construction
- UL recognized component listing and CSA approved

Applications:

Ideally suited for a wide variety of tough applications found in automotive manufacturing facilities and other industries utilizing U-Frame motors, which would include pumps, conveyors and fans.



Automotive Duty Motors

Totally Enclosed - 56 Frame - 1/4 HP - 3 HP

Features:

- NEMA Design B Performance
- Steel frame/cast aluminum end brackets
- Premium Class F Insulation system
- Continuous Duty



Application Notes:

Ideally suited for use on pumps, fans, conveyors, gear boxes and other equipment located in automotive manufacturing facilities.

Three Phase - Rigid Base

HP	SYN RPM 60 Hz	NEMA Frame	▼ Catalog Number	Stock	List Price	Model Number	App. Wgt. (lbs)	Voltage	F. L. Amps @ 230 V	% F.L. Eff.	Service Factor	"C" Dim. (Inches)	Inverter Speed Range	♥ Notes
1/4	1800	56	LM25123	√	532	SRN4H0.25T61	22	230/460	1.1	68.0	1.0	9.94	2 : 1	S, MX
	1200	56	LM25127	√	760	SRN6H0.25T61	28	230/460	1.2	73.4	1.0	10.94	2 : 1	S, MX
1/3	3600	56	LM25124	√	478	SRN2H0.33T61	20	230/460	2.0	64.0	1.0	9.94	2 : 1	S, US
	1800	56	LM25115	√	566	SRN4H0.33T61	22	230/460	1.2	68.0	1.0	9.94	2 : 1	S, MX
	1200	56	LM25116	C/A	768	SRN6H0.33T61	29	230/460	1.5	75.5	1.0	10.94	2 : 1	S, US
1/2	3600	56	LM25126	√	514	SRN2H0.5T61	23	230/460	1.6	74.0	1.0	9.94	2 : 1	S, US
	1800	56	LM24258	√	647	SRN4H0.5T61	26	230/460	2.0	77.0	1.0	10.44	2 : 1	S, MX
	1200	56	LM24268	√	848	SRN6H0.5T61	42	230/460	1.9	78.5	1.0	11.94	2 : 1	S, MX
3/4	3600	56	LM25133	C/A	588	SRN2H0.75T61	34	230/460	2.4	80.0	1.0	10.94	2 : 1	S, US
	1800	56	LM24266	C/A	716	SRN4H0.75T61	30	230/460	2.4	81.5	1.0	10.94	2 : 1	S, MX
	1800	56	LM25142	C/A	1149	SRF4H0.75T61	25	230/460	3.0	75.5	1.0	11.82	2 : 1	S, US
1	1200	56	LM25148	C/A	669	SRF6H0.75T61	29	230/460	3.0	74.0	1.0	12.32	2 : 1	S, US
	3600	56	LM25129	C/A	662	SRN2H1T61	41	230/460	2.8	82.5	1.0	11.94	2 : 1	S, US
	1800	56	LM25113	√	563	SRF4H1T61	28	230/460	3.6	77.0	1.0	12.32	2 : 1	S, MX
1 1/2	1200	56	LM25130	√	710	SRF6H1T61	37	230/460	3.6	78.5	1.0	12.82	2 : 1	S, US
	3600	56	LM25160	C/A	616	SRF2H1.5T61	27	230/460	4.4	80.0	1.0	12.32	2 : 1	S, US
	1800	56	LM25147	C/A	616	SRF4H1.5T61	32	230/460	4.8	80.0	1.15	12.32	2 : 1	S, US
2	3600	56	LM25161	C/A	710	SRF2H2T61	31	230/460	5.8	80.0	1.15	13.52	2 : 1	S, US
	1800	56	LM25159	C/A	710	SRF4H2T61	46	230/460	N/A	82.5	1.0	13.52	2 : 1	S, US
3	3600	56	LM25152	C/A	796	SRF2H3T61	44	230/460	7.6	84.0	1.0	13.52	2 : 1	S, US

▼ LM Numbers are Lincoln Models

♥ Note listing on inside back flap

C/A - Check Availability

Specifications are subject to change without notice

View On-line Technical Information



Automotive Duty Motors

Pump Motors

Washguard Motors

Agricultural Motors

HVAC / Fan Motors

Special Voltage Motors

Definite Purpose Motors

Brake Motors

IEC Motors

Automotive Duty Motors

Totally Enclosed - 56 Frame - 1/4 HP - 3 HP

Three Phase - C Face Rigid Base

HP	SYN RPM 60 Hz	NEMA Frame	▼ Catalog Number	Stock	List Price	Model Number	App. Wgt. (lbs)	Voltage	F. L. Amps @ 230 V	% F.L. Eff.	Service Factor	"C" Dim. (Inches)	Inverter Speed Range	♥Notes
1/4	1800	56C	LM25131	C/A	586	SRN4H0.25TC61	20	230/460	1.1	68.0	1.15	9.94	2 : 1	S, US
	1200	56C	LM25135	√	816	SRN6H0.25TC61	24	230/460	1.2	73.4	1.0	10.94	2 : 1	S, US
1/3	3600	56C	LM25153	C/A	533	SRN2H0.33TC61	20	230/460	2.0	64.0	1.15	9.94	2 : 1	S, US
	1800	56C	LM25149	C/A	622	SRN4H0.33TC61	22	230/460	1.2	68.0	1.0	9.94	2 : 1	S, US
	1200	56C	LM25164	C/A	823	SRN6H0.33TC61	29	230/460	1.5	75.5	1.15	10.94	2 : 1	S, US
	1/2	3600	56C	LM25151	C/A	566	SRN2H0.5TC61	25	230/460	1.8	74.0	1.0	10.44	2 : 1
	1800	56C	LM25114	√	702	SRN4H0.5TC61	24	230/460	2.0	77.0	1.0	10.44	2 : 1	S, MX
	1200	56C	LM25134	√	902	SRN6H0.5TC61	42	230/460	1.9	78.5	1.0	11.94	2 : 1	S, MX
3/4	3600	56C	LM25119	C/A	644	SRN2H0.75TC61	34	230/460	2.4	80.0	1.0	10.94	2 : 1	S, US
	1800	56C	LM25121	√	772	SRN4H0.75TC61	30	230/460	2.4	81.5	1.0	10.94	2 : 1	S, MX
	1200	56C	LM25141	C/A	724	SRF6H0.75TC61	30	230/460	3.0	74.0	1.15	12.31	2 : 1	S, US
	1	3600	56C	LM25125	√	716	SRN2H1TC61	41	230/460	2.8	82.5	1.0	11.94	2 : 1
	1800	56C	LM25117	√	619	SRF4H1TC61	29	230/460	3.6	77.0	1.0	12.31	2 : 1	S, MX
	1200	56C	LM25150	C/A	766	SRF6H1TC61	37	230/460	4.0	78.5	1.0	12.81	2 : 1	S, US
1 1/2	3600	56C	LM25163	C/A	672	SRF2H1.5TC61	27	230/460	—	80.0	1.0	—	2 : 1	S, US
	1800	56C	LM25143	C/A	672	SRF4H1.5TC61	33	230/460	4.8	80.0	1.15	12.31	2 : 1	S, US
2	3600	56C	LM25145	C/A	766	SRF2H2TC61	32	230/460	6.0	80.0	1.15	12.32	2 : 1	S, US
	1800	56C	LM25156	C/A	766	SRF4H2TC61	46	230/460	5.6	82.5	1.15	13.82	2 : 1	S, US
3	3600	56C	LM25146	C/A	852	SRF2H3TC61	45	230/460	7.8	84.0	1.15	14.32	2 : 1	S, US

▼ LM Numbers are Lincoln Models

♥ Note listing on inside back flap

C/A - Check Availability

Specifications are subject to change without notice

Three Phase - C Face Less Base

HP	SYN RPM 60 Hz	NEMA Frame	▼ Catalog Number	Stock	List Price	Model Number	App. Wgt. (lbs)	Voltage	F. L. Amps @ 230 V	% F.L. Eff.	Service Factor	"C" Dim. (Inches)	Inverter Speed Range	♥Notes
1/4	1800	56C	LM25136	√	586	SRN4H0.25TCN61	19	230/460	1.1	68.0	1.0	9.94	2 : 1	S, MX
	1200	56C	LM25138	C/A	816	SRN6H0.25TCN61	23	230/460	1.2	73.4	1.0	10.94	2 : 1	S, US
1/3	3600	56C	LM25158	C/A	533	SRN2H0.33TCN61	21	230/460	2.0	64.0	1.0	9.94	2 : 1	S, US
	1800	56C	LM25128	√	622	SRN4H0.33TCN61	21	230/460	1.2	68.0	1.0	9.94	2 : 1	S, MX
	1200	56C	LM25155	C/A	823	SRN6H0.33TCN61	26	230/460	1.6	75.5	1.0	10.94	2 : 1	S, US
	1/2	3600	56C	LM25154	C/A	566	SRN2H0.5TCN61	23	230/460	1.6	74.0	1.15	9.94	2 : 1
	1800	56C	LM24259	√	702	SRN4H0.5TCN61	26	230/460	2.0	77.0	1.0	10.44	2 : 1	S, MX
	1200	56C	LM25122	C/A	902	SRN6H0.5TCN61	33	230/460	1.9	78.5	1.0	11.94	2 : 1	S, US
3/4	3600	56C	LM25139	C/A	642	SRN2H0.75TCN61	26	230/460	2.0	80.0	1.15	11.94	2 : 1	S, US
	1800	56C	LM24262	√	772	SRN4H0.75TCN61	25	230/460	2.4	81.5	1.0	10.94	2 : 1	S, MX
	1200	56C	LM25137	C/A	723	SRF6H0.75TCN61	29	230/460	—	74.0	1.0	—	2 : 1	S, US
	1	3600	56C	LM25112	√	716	SRN2H1TCN61	33	230/460	2.8	82.5	1.0	11.94	2 : 1
	1800	56C	LM24271	√	619	SRF4H1TCN61	26	230/460	3.6	77.0	1.0	12.32	2 : 1	S, MX
	1200	56C	LM25118	C/A	766	SRF6H1TCN61	31	230/460	4.0	78.5	1.0	12.82	2 : 1	S, US
1 1/2	3600	56C	LM25120	√	671	SRF2H1.5TCN61	31	230/460	4.6	80.0	1.0	11.82	2 : 1	S, US
	1800	56C	LM25140	C/A	671	SRF4H1.5TCN61	31	230/460	4.8	80.0	1.15	12.32	2 : 1	S, US
2	3600	56C	LM25165	C/A	766	SRF2H2TCN61	33	230/460	6.0	80.0	1.0	12.32	2 : 1	S, US
	1800	56C	LM25132	C/A	766	SRF4H2TCN61	33	230/460	5.8	82.5	1.0	13.82	2 : 1	S, US
3	3600	56C	LM25157	C/A	852	SRF2H3TCN61	39	230/460	7.6	84.0	1.0	13.32	2 : 1	S, US

▼ LM Numbers are Lincoln Models

♥ Note listing on inside back flap

C/A - Check Availability

Specifications are subject to change without notice



View On-line Technical Information

Features:

- Meets NEMA U-Frame dimensional and performance standards
- Meets or exceeds General Motors GM-7EH and -7EQ, Ford EM1, and Chrysler NPEM-100 specifications
- Full cast iron construction – all frame sizes
- Oversized, cast iron terminal box with threaded conduit holes
- NEMA Design B Performance
- Continuous Duty
- Inverter-Rated
- Premium Class F Insulation System

Application Notes:

Ideally suited for a wide variety of tough applications found in automotive manufacturing facilities and other industries utilizing U-Frame motors.

Lincoln U-Frame motors exceed NEMA MG-1, Section IV, Part 31 spike resistance requirements.

Three Phase - Rigid Mount

HP	SYN RPM 60 Hz	NEMA Frame	▼ Catalog Number	Stock	List Price	Model Number	App. Wgt. (lbs)	Voltage	F. L. Amps @ 460 V	% F.L. Eff.	Service Factor	"C" Dim. (Inches)	Inverter Speed Range	♥ Notes	
3/4	1200	182U	LM21379	C/A	1141	CCN6P0.75U64	89	460	1.3	82.5	1.0	12.21	10 : 1	C, US	
	1	1800	182U	LM21378	✓	1073	CCN4P1U64	110	460	1.5	87.5	1.0	12.21	10 : 1	C, US
		1200	184U	LM21381	✓	1312	CCN6P1U64	108	460	1.7	86.5	1.0	13.21	10 : 1	C, US
1 1/2	3600	182U	LM21084	✓	986	CCN2P1.5U64	108	460	2.0	85.5	1.0	12.21	10 : 1	C, US	
	1800	184U	LM21380	✓	1149	CCN4P1.5U64	108	460	2.1	88.8	1.0	13.21	10 : 1	C, US	
		1200	184U	LM20709	✓	1443	CCN6P1.5U64	99	460	2.2	87.5	1.0	13.21	10 : 1	C, US
2	3600	184U	LM21085	✓	1087	CCF2P2U64	120	460	2.7	85.5	1.0	15.69	10 : 1	C, US	
	1800	184U	LM20708	✓	1209	CCF4P2U64	120	460	2.6	89.5	1.0	15.69	10 : 1	C, US	
		1200	213U	LM21383	C/A	1600	CCF6P2U64	170	460	3.1	87.5	1.0	17.82	10 : 1	C, US
3	3600	184U	LM20707	✓	1339	CCF2P3U64	120	460	3.8	87.5	1.0	15.69	10 : 1	C, US	
	1800	213U	LM21382	✓	1391	CCF4P3U64	170	460	4.0	88.5	1.0	17.82	10 : 1	C, US	
		1200	215U	LM20391	✓	1982	CCF6P3U64	170	460	4.4	89.5	1.0	19.32	10 : 1	C, US
5	3600	213U	LM21086	✓	1484	CCF2P5U64	170	460	6.4	87.5	1.0	17.82	10 : 1	C, US	
	1800	215U	LM20392	✓	1844	CCF4P5U64	170	460	6.5	89.5	1.0	19.32	10 : 1	C, US	
		1200	254U	LM21385	✓	2904	CCF6P5U64	260	460	6.7	90.2	1.0	23.27	10 : 1	C, US
7 1/2	3600	215U	LM20393	C/A	1786	CCF2P7.5U64	170	460	9.5	88.5	1.0	19.32	10 : 1	C, US	
	1800	254U	LM21384	✓	2422	CCF4P7.5U64	260	460	9.6	91.7	1.0	23.44	10 : 1	C, US	
		1200	256U	LM20389	✓	3526	CCF6P7.5U64	332	460	9.9	91.0	1.0	25.02	10 : 1	C, US
10	3600	254U	LM21087	✓	2138	CCF2P10U64	260	460	12.0	89.5	1.0	23.44	10 : 1	C, US	
	1800	256U	LM20390	✓	2943	CCF4P10U64	260	460	12.5	91.7	1.0	25.19	10 : 1	C, US	
		1200	284U	LM20028	C/A	4322	CCF6P10U64	525	460	13.1	91.0	1.0	26.52	10 : 1	C, US
15	3600	256U	LM20394	✓	2724	CCF2P15U64	260	460	17.5	91.7	1.0	25.02	10 : 1	C, US	
	1800	284U	LM21665	✓	4042	CCF4P15U64	525	460	18.0	92.4	1.0	26.52	10 : 1	C, US	
		1200	324U	LM21387	C/A	5816	CCF6P15U64	750	460	19.2	92.4	1.0	29.24	10 : 1	C, US
1200	324US	LM21809	C/A	5815	CCF6P15US64	750	460	—	92.4	1.0	—	10 : 1	C, US		

▼ LM Numbers are Lincoln Models

♥ Note listing on inside back flap

C/A - Check Availability

Continued On Next Page

Specifications are subject to change without notice

View On-line Technical Information



Automotive Duty Motors

Pump Motors

Washguard Motors

Agricultural Motors

HVAC / Fan Motors

Special Voltage Motors

Definite Purpose Motors

Brake Motors

IEC Motors

Automotive Duty Motors

Automotive Duty - U-Frame - Three Phase - 460 Volts

Three Phase - Rigid Mount

HP	SYN RPM 60 Hz	NEMA Frame	▼ Catalog Number	Stock	List Price	Model Number	App. Wgt. (lbs)	Voltage	F. L. Amps @ 460 V	% F.L. Eff.	Service Factor	"C" Dim. (Inches)	Inverter Speed Range	♥Notes
20	3600	286U	LM21088	✓	3704	CCF2P20U64	525	460	23.4	90.2	1.0	28.02	10 : 1	C, US
	1800	286U	LM20029	✓	4968	CCF4P20U64	525	460	24.1	93.0	1.0	28.02	10 : 1	C, US
	1200	326U	LM20031	C/A	7106	CCF6P20U64	750	460	25.5	92.4	1.0	30.74	10 : 1	C, US
	1200	326US	LM21812	C/A	7106	CCF6P20US64	750	460	—	92.4	1.0	—	10 : 1	C, US
25	3600	324U	LM21089	C/A	4751	CCF2P25U64	748	460	28.1	93.6	1.0	29.34	10 : 1	C, US
	3600	324US	LM21807	C/A	4751	CCF2P25US64	748	460	28.1	93.6	1.0	26.97	10 : 1	C, US
	1800	324U	LM21386	✓	6216	CCF4P25U64	748	460	30.5	92.1	1.0	29.24	10 : 1	C, US
	1800	324US	LM21808	C/A	6216	CCF4P25US64	748	460	—	92.1	1.0	—	10 : 1	C, US
	1200	364U	LM21389	C/A	8579	CCF6P25U64	1160	460	31.0	93.0	1.0	33.00	10 : 1	C, US
	1200	364US	LM21814	C/A	8580	CCF6P25US64	1160	460	—	93.0	1.0	—	10 : 1	C, US
30	3600	326US	LM21810	C/A	5730	CCF2P30US64	748	460	35.0	91.0	1.0	28.47	10 : 1	C, US
	3600	326U	LM21090	C/A	5730	CCF2P30U64	748	460	35.0	91.0	1.0	30.84	10 : 1	C, US
	1800	326U	LM20030	C/A	7262	CCF4P30U64	748	460	36.0	94.1	1.0	30.74	10 : 1	C, US
	1800	326US	LM21811	C/A	7263	CCF4P30US64	748	460	—	94.1	1.0	—	10 : 1	C, US
	1200	365U	LM19531	C/A	9711	CCF6P30U64	1160	460	—	93.0	1.0	33.00	10 : 1	C, US
	1200	365US	LM21816	C/A	9711	CCF6P30US64	1160	460	37.0	93.0	1.0	30.38	10 : 1	C, US
40	3600	364US	LM21091	C/A	7483	CCF2P40US64	908	460	45.0	93.6	1.0	29.38	10 : 1	C, US
	3600	364U	LM21798	C/A	7483	CCF2P40U64	908	460	45.0	93.6	1.0	32.00	10 : 1	C, US
	1800	364U	LM21388	C/A	9575	CCF4P40U64	977	460	47.0	94.1	1.0	32.00	10 : 1	C, US
	1800	364US	LM21813	C/A	9576	CCF4P40US64	977	460	46.5	94.1	1.0	29.38	10 : 1	C, US
	1200	404U	LM21390	C/A	12506	CCF6P40U64	1110	460	48.5	93.6	1.0	35.50	10 : 1	C, US
	1200	404US	LM21817	C/A	12507	CCF6P40US64	1110	460	—	93.6	1.0	—	10 : 1	C, US
50	3600	365US	LM21092	C/A	9441	CCF2P50US64	980	460	56.0	94.1	1.0	30.38	10 : 1	C, US
	3600	365U	LM21799	✓	9441	CCF2P50U64	980	460	56.0	94.1	1.0	33.00	10 : 1	C, US
	1800	365U	LM19530	C/A	11235	CCF4P50U64	1063	460	57.0	94.5	1.0	33.00	10 : 1	C, US
	1800	365US	LM21815	C/A	11235	CCF4P50US64	1063	460	57.0	94.5	1.0	30.38	10 : 1	C, US
	1200	405U	LM19533	C/A	14446	CCF6P50U64	1110	460	61.0	94.1	1.0	37.00	10 : 1	C, US
	1200	405US	LM21819	C/A	14446	CCF6P50US64	1110	460	—	94.1	1.0	—	10 : 1	C, US
60	3600	405US	LM19532	C/A	11233	CCF2P60US64	1130	460	66.0	94.1	1.0	34.12	10 : 1	C, US
	3600	405U	LM21800	C/A	11233	CCF2P60U64	1130	460	66.0	94.1	1.0	37.00	10 : 1	C, US
	1800	405U	LM21391	C/A	13947	CCF4P60U64	1110	460	68.0	95.0	1.0	37.00	10 : 1	C, US
	1800	405US	LM21818	C/A	13947	CCF4P60US64	1110	460	67.5	95.0	1.0	34.12	10 : 1	C, US
	1200	444U	LM21393	C/A	16963	CCF6P60U64	1787	460	71.0	94.1	1.0	41.38	10 : 1	C, US
	1200	444US	LM21822	C/A	16963	CCF6P60US64	1787	460	—	94.1	1.0	—	10 : 1	C, US
75	3600	444US	LM21093	C/A	14761	CCF2P75US64	1685	460	84.0	94.1	1.0	38.94	10 : 1	C, US
	3600	444U	LM21801	C/A	14761	CCF2P75U64	1685	460	—	94.1	1.0	—	10 : 1	C, US
	1800	444U	LM21392	C/A	17203	CCF4P75U64	1787	460	85.0	95.0	1.0	41.38	10 : 1	C, US
	1800	444US	LM21821	C/A	17203	CCF4P75US64	1787	460	—	95.0	1.0	—	10 : 1	C, US
	1200	445U	LM19535	C/A	20112	CCF6P75U64	1787	460	90.0	95.0	1.0	43.70	10 : 1	C, US
	1200	445US	LM21824	C/A	20112	CCF6P75US64	1787	460	—	95.0	1.0	—	10 : 1	C, US
100	3600	445US	LM21094	C/A	19507	CCF2P100US64	1685	460	113.0	95.4	1.0	38.94	10 : 1	C, US
	3600	445U	LM21802	C/A	19507	CCF2P100U64	1685	460	—	95.4	1.0	—	10 : 1	C, US
	1800	445U	LM19534	C/A	21386	CCF4P100U64	1787	460	113.0	95.4	1.0	43.47	10 : 1	C, US
	1800	445US	LM21823	C/A	21386	CCF4P100US64	1787	460	—	95.4	1.0	—	10 : 1	C, US

▼ LM Numbers are Lincoln Models

♥ Note listing on inside back flap

C/A - Check Availability

Specifications are subject to change without notice



View On-line Technical Information

Automotive Duty Motors

Automotive Duty - U-Frame - Three Phase - 460 Volts

C Face With Base

HP	SYN RPM 60 Hz	NEMA Frame	▼ Catalog Number	Stock	List Price	Model Number	App. Wgt. (lbs)	Voltage	F. L. Amps @ 460 V	% F.L. Eff.	Service Factor	"C" Dim. (Inches)	Inverter Speed Range	♥Notes
3/4	1200	182C	LM21828	C/A	1215	CCN6P0.75UC64	120	460	1.3	82.5	1.0	12.96	10 : 1	C, US
	1200	182C	LM23769	C/A	961	CCN6G0.75UC64	108	460	1.3	81.0	1.0	12.96	10 : 1	C, US
1	1800	182C	LM21827	C/A	1149	CCN4P1UC64	120	460	1.5	87.5	1.0	12.96	10 : 1	C, US
	1200	184C	LM21835	C/A	1384	CCN6P1UC64	120	460	1.7	86.5	1.0	13.96	10 : 1	C, US
1 1/2	3600	182C	LM21826	C/A	1062	CCN2P1.5UC64	120	460	2.0	85.5	1.0	12.96	10 : 1	C, US
	1800	184C	LM21833	C/A	1224	CCN4P1.5UC64	120	460	2.1	88.5	1.0	13.96	10 : 1	C, US
2	1200	184C	LM21834	C/A	1521	CCN6P1.5UC64	120	460	2.2	87.5	1.0	13.96	10 : 1	C, US
	3600	184C	LM21831	C/A	1167	CCF2P2UC64	132	460	2.7	85.5	1.0	14.10	10 : 1	C, US
3	1800	184C	LM21832	C/A	1286	CCF4P2UC64	132	460	2.6	89.5	1.0	16.22	10 : 1	C, US
	1200	213C	LM21838	C/A	1689	CCF6P2UC64	181	460	3.1	87.5	1.0	18.58	10 : 1	C, US
3	3600	184C	LM21829	√	1394	CCF2P3UC64	132	460	3.8	87.5	1.0	16.22	10 : 1	C, US
	1800	213C	LM21837	C/A	1479	CCF4P3UC64	181	460	4.0	88.5	1.0	18.58	10 : 1	C, US
5	1200	215C	LM21841	C/A	2071	CCF6P3UC64	181	460	4.4	89.5	1.0	20.08	10 : 1	C, US
	3600	213C	LM21836	√	1558	CCF2P5UC64	181	460	6.4	87.5	1.0	18.58	10 : 1	C, US
7 1/2	1800	215C	LM21840	C/A	1934	CCF4P5UC64	181	460	6.5	89.5	1.0	20.08	10 : 1	C, US
	1200	254UC	LM21844	√	2873	CCF6P5UC64	272	460	6.7	90.2	1.0	23.77	10 : 1	C, US
10	3600	215C	LM21839	C/A	1874	CCF2P7.5UC64	181	460	9.5	88.5	1.0	20.08	10 : 1	C, US
	1800	254UC	LM21843	C/A	2542	CCF4P7.5UC64	272	460	9.6	91.7	1.0	23.89	10 : 1	C, US
10	1200	256UC	LM21847	√	3643	CCF6P7.5UC64	344	460	9.9	91.0	1.0	25.52	10 : 1	C, US
	3600	254UC	LM21842	C/A	2255	CCF2P10UC64	272	460	12.0	89.5	1.0	23.89	10 : 1	C, US
15	1800	256UC	LM21846	√	3061	CCF4P10UC64	272	460	12.5	91.7	1.0	25.64	10 : 1	C, US
	1200	284UC	LM21849	√	4523	CCF6P10UC64	531	460	13.1	91.0	1.0	26.52	10 : 1	C, US
15	3600	256UC	LM21845	√	2840	CCF2P15UC64	272	460	17.5	91.7	1.0	25.22	10 : 1	C, US
	1800	284UC	LM21848	√	4248	CCF4P15UC64	531	460	18.0	92.4	1.0	26.52	10 : 1	C, US
20	1200	324UC	LM21854	√	6156	CCF6P15UC64	757	460	19.2	92.4	1.0	32.50	10 : 1	C, US
	1200	324USC	LM21879	C/A	6156	CCF6P15USC64	757	460	—	92.4	1.0	—	10 : 1	C, US
20	3600	286UC	LM21850	C/A	3907	CCF2P20UC64	531	460	23.4	90.2	1.0	28.02	10 : 1	C, US
	1800	286UC	LM21851	√	5170	CCF4P20UC64	531	460	24.1	93.0	1.0	28.02	10 : 1	C, US
25	1200	326UC	LM21857	C/A	7447	CCF6P20UC64	757	460	25.5	92.4	1.0	34.00	10 : 1	C, US
	1200	326USC	LM21882	C/A	7447	CCF6P20USC64	757	460	—	92.4	1.0	—	10 : 1	C, US
25	3600	324USC	LM21893	C/A	5094	CCF2P25USC64	755	460	28.1	93.6	1.0	27.22	10 : 1	C, US
	3600	324UC	LM21852	C/A	5847	CCF2P25UC64	755	460	—	93.6	1.0	—	10 : 1	C, US
30	1800	324UC	LM21853	C/A	6555	CCF4P25UC64	755	460	—	94.1	1.0	—	10 : 1	C, US
	1800	324USC	LM21878	C/A	6556	CCF4P25USC64	755	460	—	94.1	1.0	—	10 : 1	C, US
30	1200	364UC	LM21860	C/A	9123	CCF6P25UC64	1169	460	—	93.0	1.0	—	10 : 1	C, US
	1200	364USC	LM21885	C/A	9125	CCF6P25USC64	1169	460	—	93.0	1.0	—	10 : 1	C, US
30	3600	326USC	LM21880	C/A	6071	CCF2P30USC64	755	460	35.0	91.0	1.0	28.72	10 : 1	C, US
	3600	326UC	LM21855	C/A	6071	CCF2P30UC64	755	460	—	91.0	1.0	—	10 : 1	C, US
30	1800	326UC	LM21856	C/A	7600	CCF4P30UC64	755	460	—	94.1	1.0	—	10 : 1	C, US
	1800	326USC	LM21881	C/A	7600	CCF4P30USC64	755	460	—	94.1	1.0	—	10 : 1	C, US
30	1200	365UC	LM21863	C/A	10254	CCF6P30UC64	1169	460	—	93.0	1.0	—	10 : 1	C, US
	1200	365USC	LM21888	C/A	10254	CCF6P30USC64	1169	460	—	93.0	1.0	—	10 : 1	C, US

▼ LM Numbers are Lincoln Models

♥ Note listing on inside back flap

C/A - Check Availability

Continued On Next Page

Specifications are subject to change without notice

View On-line Technical Information



Automotive Duty Motors

Pump Motors

Washguard Motors

Agricultural Motors

HVAC / Fan Motors

Special Voltage Motors

Definite Purpose Motors

Brake Motors

IEC Motors

Automotive Duty Motors

Automotive Duty - U-Frame - Three Phase - 460 Volts

C Face With Base

HP	SYN RPM 60 Hz	NEMA Frame	▼ Catalog Number	Stock	List Price	Model Number	App. Wgt. (lbs)	Voltage	F. L. Amps @ 460 V	% F.L. Eff.	Service Factor	"C" Dim. (Inches)	Inverter Speed Range	♥Notes
40	3600	364USC	LM21883	C/A	8029	CCF2P40USC64	917	460	45.0	93.6	1.0	29.38	10 : 1	C, US
		364UC	LM21858	C/A	8028	CCF2P40UC64	917	460	—	93.6	1.0	—	10 : 1	C, US
	1800	364UC	LM21859	C/A	10121	CCF4P40UC64	986	460	46.5	94.1	1.0	32.00	10 : 1	C, US
		364USC	LM21884	C/A	10121	CCF4P40USC64	986	460	—	94.1	1.0	—	10 : 1	C, US
	1200	404UC	LM21864	C/A	13157	CCF6P40UC64	1123	460	48.5	93.6	1.0	35.50	10 : 1	C, US
		404USC	LM21889	C/A	13156	CCF6P40USC64	1123	460	—	93.6	1.0	—	10 : 1	C, US
50	3600	365USC	LM21886	C/A	9988	CCF2P50USC64	989	460	—	94.1	1.0	—	10 : 1	C, US
		365UC	LM21861	C/A	9988	CCF2P50UC64	989	460	—	94.1	1.0	—	10 : 1	C, US
	1800	365UC	LM21862	C/A	11781	CCF4P50UC64	1072	460	57.0	94.5	1.0	33.00	10 : 1	C, US
		365USC	LM21887	C/A	11779	CCF4P50USC64	1072	460	—	94.5	1.0	—	10 : 1	C, US
	1200	405UC	LM21867	C/A	15094	CCF6P50UC64	1123	460	60.0	94.1	1.0	37.00	10 : 1	C, US
		405USC	LM21892	C/A	15094	CCF6P50USC64	1123	460	60.0	94.1	1.0	34.12	10 : 1	C, US
60	3600	405USC	LM21890	C/A	11879	CCF2P60USC64	1143	460	65.5	94.1	1.0	34.12	10 : 1	C, US
		405UC	LM21865	C/A	11880	CCF2P60UC64	1143	460	—	94.1	1.0	—	10 : 1	C, US
	1800	405UC	LM21866	C/A	14597	CCF4P60UC64	1123	460	67.5	95.0	1.0	37.00	10 : 1	C, US
		405USC	LM21891	C/A	14597	CCF4P60USC64	1123	460	68.0	95.0	1.0	34.12	10 : 1	C, US
	1200	444UC	LM21870	C/A	17764	CCF6P60UC64	1810	460	71.0	94.1	1.0	41.38	10 : 1	C, US
		444USC	LM21895	C/A	17765	CCF6P60USC64	1810	460	—	94.1	1.0	—	10 : 1	C, US
75	3600	444USC	LM21877	C/A	15564	CCF2P75USC64	1708	460	82.0	94.1	1.0	37.00	10 : 1	C, US
		444UC	LM21868	C/A	15563	CCF2P75UC64	1708	460	—	94.1	1.0	—	10 : 1	C, US
	1800	444UC	LM21869	C/A	18005	CCF4P75UC64	1810	460	85.0	95.0	1.0	41.38	10 : 1	C, US
		444USC	LM21894	C/A	18005	CCF4P75USC64	1810	460	—	95.0	1.0	—	10 : 1	C, US
	1200	445UC	LM21873	C/A	20915	CCF6P75UC64	1810	460	—	95.0	1.0	—	10 : 1	C, US
		445USC	LM21898	C/A	20915	CCF6P75USC64	1810	460	—	95.0	1.0	—	10 : 1	C, US
100	3600	445USC	LM21896	C/A	20309	CCF2P100USC64	1708	460	—	95.4	1.0	—	10 : 1	C, US
		445UC	LM21871	C/A	20309	CCF2P100UC64	1708	460	—	95.4	1.0	—	10 : 1	C, US
	1800	445UC	LM21872	C/A	22186	CCF4P100UC64	1810	460	—	95.4	1.0	—	10 : 1	C, US
		445USC	LM21897	C/A	22186	CCF4P100USC64	1810	460	113.0	95.4	1.0	38.94	10 : 1	C, US

▼ LM Numbers are Lincoln Models

♥ Note listing on inside back flap

C/A - Check Availability

Specifications are subject to change without notice



View On-line Technical Information

Automotive Duty Motors

Automotive Duty - U-Frame - Three Phase - 460 Volts

Automotive
Duty Motors

C Face Less Base

HP	SYN RPM 60 Hz	NEMA Frame	▼ Catalog Number	Stock	List Price	Model Number	App. Wgt. (lbs)	Voltage	F. L. Amps @ 460 V	% F.L. Eff.	Service Factor	"C" Dim. (Inches)	Inverter Speed Range	♥ Notes
1	1800	182C	LM23781	√	1149	CCN4P1UCN64	108	460	1.5	87.5	1.0	12.96	10 : 1	C, US
	1200	184C	LM24037	C/A	1384	CCN6P1UCN64	112	460	1.7	86.5	1.0	13.96	10 : 1	C, US
1 1/2	1800	184C	LM23783	C/A	1224	CCN4P1.5UCN64	120	460	2.1	88.5	1.0	13.96	10 : 1	C, US
2	3600	184C	LM25496	C/A	1167	CCF2P2UCN64	132	460	2.7	85.5	1.0	16.22	10 : 1	C, US
	1800	184C	LM23782	√	1286	CCF4P2UCN64	132	460	2.6	89.5	1.0	16.22	10 : 1	C, US
3	1800	213C	LM23854	C/A	1700	CCF4P3UCN64	175	460	4.0	88.5	1.0	18.58	10 : 1	C, US
	1200	215C	LM25667	√	2071	CCF6P3UCN64	181	460	4.4	89.5	1.0	20.08	10 : 1	C, US
5	3600	213C	LM25203	C/A	1558	CCF2P5UCN64	181	460	6.4	87.5	1.0	18.58	10 : 1	C, US
	1800	215C	LM24072	√	2109	CCF4P5UCN64	181	460	6.5	89.5	1.0	18.58	10 : 1	C, US
7 1/2	1800	254UC	LM23784	C/A	2542	CCF4P7.5UCN64	385	460	9.6	91.7	1.0	23.94	10 : 1	C, US

▼ LM Numbers are Lincoln Models

♥ Note listing on inside back flap

C/A - Check Availability

Specifications are subject to change without notice

Pump
Motors

Washguard
Motors

Agricultural
Motors

HVAC / Fan
Motors

Special Voltage
Motors

Definite
Purpose Motors

Brake Motors

IEC Motors

View On-line Technical Information



Pump Motors

Automotive
Duty Motors

Pump
Motors

Washguard
Motors

Agricultural
Duty Motors

HVAC / Fan
Motors

Special Voltage
Motors

Definite
Purpose Motors

Brake Motors

IEC Motors



- Jet pump, JM & JP pump, carbonator pump and fire pump motors
- Washdown duty pump motors available
- Explosion proof jet pump motors available
- Three phase and single phase models
- 1.15 service factor or better
- Jet pump motors have quick connect terminal boards
- Drip-proof and totally enclosed designs
- Drip-cover kits available on drip-proof designs
- Steel frame and cast iron frame designs
- Threaded jet pump motors have stainless steel shafts
- Jet pump single phase motors have automatic overload protection
- 1-year warranty on standard motors and 2-year warranty on "G" models
- UL recognized and CSA certified

Applications:

Designed for various applications that you may find in the pumping industry where direct coupled motor to pump is required.



Pump Motors

Jet Pump Motors - Single Phase

General Specifications:

- NEMA 56 C face mounting flange
- Keyed shafts made of carbon steel
- Threaded shafts made of 416 grade stainless steel
- Dual rotation
- Quiet flow-through ventilation system
- Double sealed bearings on shaft end
- Terminal board with quick connects
- Locked shaft-end bearings
- Automatic overload protection
- UL recognized and CSA certified



Keyed Shaft - Drip-Proof - Single Phase - C Face Less Base

HP	SYN RPM 60 Hz	NEMA Frame	Catalog Number	Stock	List Price	Model Number	App. Wgt. (lbs)	Voltage	Over-load Prot.	F. L. Amps @ 230 V	Service Factor	"C" Dim. (Inches)	♥Notes
1/2	3600	S56C	100204.00	√	325	A4C34DC4	19	115/208-230	Auto.	3.4	1.6	9.49	S, MX, 30
3/4	3600	S56C	100205.00	√	429	A4C34DC5	21	115/208-230	Auto.	5.1	1.5	9.99	S, MX, 30
1	3600	S56C	100722.00	√	463	A4C34DC21	24	115/208-230	Auto.	5.7	1.4	10.49	S, MX, 30
1 1/2	3600	56C	110288.00	√	608	U6C34DC18	31	115/208-230	Auto.	9.0	1.3	11.34	S, MX, 30
2	3600	56C	110289.00	√	784	U6C34DC19	37	115/208-230	Auto.	10.5	1.25	12.34	S, MX, 30
3	3600	56C	117715.00	√	801	U6K34DC19	49	230	Auto.	12.8	1.15	13.55	S, US, 30, 53

Specifications are subject to change without notice

♥ Note listing on inside back flap

Threaded Shaft - Drip-Proof - Single Phase - C Face Less Base

HP	SYN RPM 60 Hz	NEMA Frame	Catalog Number	Stock	List Price	Model Number	App. Wgt. (lbs)	Voltage	Over-load Prot.	F. L. Amps @ 230 V	Service Factor	"C" Dim. (Inches)	♥Notes
1/2	3600	S56J	100207.00	√	313	A4C34DC7	19	115/208-230	Auto.	3.4	1.6	10	S, MX, 30
3/4	3600	S56J	100208.00	√	408	A4C34DC8	21	115/208-230	Auto.	5.1	1.5	10.5	S, MX, 30
1	3600	S56J	100723.00	√	428	A4C34DC22	23	115/208-230	Auto.	5.7	1.4	11	S, MX, 30
1 1/2	3600	56J	110292.00	√	594	U6C34DC21	31	115/208-230	Auto.	9.0	1.3	11.34	S, MX, 30
2	3600	56J	110293.00	√	734	U6C34DC22	37	115/208-230	Auto.	10.5	1.25	12.34	S, MX, 30
3	3600	56J	117716.00	√	757	U6K34DC20	51	230	Auto.	12.8	1.15	14.15	S, US, 30, 53

Specifications are subject to change without notice

♥ Note listing on inside back flap

View On-line Technical Information



Automotive Duty Motors

Pump Motors

Washguard Motors

Agricultural Motors

HVAC / Fan Motors

Special Voltage Motors

Definite Purpose Motors

Brake Motors

IEC Motors

Pump Motors

Jet Pump Motors - Single Phase

Threaded Shaft - Totally Enclosed - Single Phase • C Face Less Base

HP	SYN RPM 60 Hz	NEMA Frame	Catalog Number	Stock	List Price	Model Number	App. Wgt. (lbs)	Voltage	Over- load Prot.	F. L. Amps @ 230 V	Service Factor	"C" Dim. (Inches)	♥Notes
1/2	3600	56J	113955.00	√	368	A6C34FC44	22	115/208-230	Auto.	3.8	1.6	11.31	S, MX, 30
3/4	3600	56J	113956.00	√	438	A6C34FC45	26	115/208-230	Auto.	5.0	1.5	11.81	S, MX, 30
1	3600	56J	113639.00	√	533	A6C34FC41	30	115/208-230	Auto.	6.0	1.25	12.31	S, MX, 30
1 1/2	3600	56J	113640.00	√	634	A6C34FC42	34	115/208-230	Auto.	8.5	1.0	12.81	S, MX, 30
2	3600	56J	113641.00	√	750	U6C34FC34	41	115/208-230	Auto.	10.0	1.0	13.81	S, MX, 30

Specifications are subject to change without notice

♥ Note listing on inside back flap

Threaded Shaft - Totally Enclosed - Single Phase - C Face With Base

HP	SYN RPM 60 Hz	NEMA Frame	Catalog Number	Stock	List Price	Model Number	App. Wgt. (lbs)	Voltage	Over- load Prot.	F. L. Amps @ 230 V	Service Factor	"C" Dim. (Inches)	♥Notes
1/2	3600	56J	113637.00	√	423	A6C34FK49	23	115/208-230	Auto.	3.8	1.6	11.31	S, MX, 30
3/4	3600	56J	113638.00	√	451	A6C34FK50	26	115/208-230	Auto.	5.0	1.5	11.81	S, MX, 30
1	3600	56J	113957.00	√	547	A6C34FK53	28	115/208-230	Auto.	6.0	1.25	12.31	S, MX, 30
1 1/2	3600	56J	113958.00	√	650	A6C34FK54	34	115/208-230	Auto.	8.5	1.0	12.81	S, MX, 30
2	3600	56J	113959.00	√	766	U6C34FK55	43	115/208-230	Auto.	10.0	1.0	13.81	S, MX, 30

Specifications are subject to change without notice

♥ Note listing on inside back flap

Threaded Shaft - Explosion Proof - Totally Enclosed - Single Phase - C Face Less Base

HP	SYN RPM 60 Hz	NEMA Frame	Catalog Number	Stock	List Price	Model Number	App. Wgt. (lbs)	Voltage	Over- load Prot.	F. L. Amps @ 230 V	Service Factor	"C" Dim. (Inches)	♥Notes
1/2	3600	56J	116188.00	√	752	A6C34XC31	35	115/208-230	Auto.	3.8	—	13.96	S, US
3/4	3600	56J	116186.00	√	847	A6C34XC32	40	115/208-230	Auto.	5.0	—	14.46	S, US
1	3600	56J	116185.00	√	909	A6C34XC33	49	115/208-230	Auto.	6.0	1.0	14.96	S, US
1 1/2	3600	56J	116183.00	√	1164	A6C34XC34	52	115/208-230	Auto.	8.5	—	15.46	S, US
2	3600	56J	116181.00	√	1267	A6C34XC35	54	115/208-230	Auto.	10.5	1.0	16.46	S, US

Specifications are subject to change without notice

♥ Note listing on inside back flap

Drip-Cover Kits

Each kit includes one drip-cover, designed to protect motors from rain, snow and ice when mounted outdoors in a vertical position.



Drip Cover Kits For Jet Pump Motors

Frame	Catalog Number	App. Wgt. (lbs)	List Price	♥Notes
48-S56	175003.00	2	52	
48-S56	175298.00	2	52	36
56 / 143T-145T	175004.00	2	59	

Specifications are subject to change without notice

♥ Note listing on inside back flap



View On-line Technical Information



General Specifications:

- NEMA 56 C face mounting flange
- Keyed shafts made of carbon steel
- Threaded shafts made of 416 grade stainless steel
- Dual rotation
- Quiet flow-through ventilation system
- Doubled sealed bearings on shaft end
- Terminal board with quick connects
- Locked shaft end bearings
- Automatic overload protection on explosion proof Jet Pump motors
- UL recognized and CSA certified

Threaded Shaft - Drip-Proof - Three Phase - C Face Less Base

HP	SYN RPM 60 Hz	NEMA Frame	Catalog Number	Stock	List Price	Model Number	App. Wgt. (lbs)	Voltage	F. L. Amps @ 230 V	% F.L. Eff.	Service Factor	"C" Dim. (Inches)	♥ Notes
1/3	3600	S56J	102197.00	√	326	C4T34DC25	15	208-230/460	1.4	68.0	1.35	9.94	S, US
1/2	3600	S56J	102198.00	√	343	C4T34DC26	17	208-230/460	1.8	69.0	1.25	9.94	S, US
3/4	3600	S56J	101637.00	√	413	C4T34DC20	18	208-230/460	2.4	79.0	1.15	10.44	S, US
1	3600	S56J	101638.00	√	459	C4T34DC21	25	208-230/460	3.0	78.0	1.15	11.44	S, US
1 1/2	3600	56J	113891.00	√	549	C6T34DC64	28	208-230/460	4.2	81.5	1.15	11.34	S, US
2	3600	56J	113892.00	√	652	C6T34DC65	33	208-230/460	5.6	82.5	1.15	11.84	S, US
3	3600	56J	113893.00	√	770	C6T34DC66	36	208-230/460	7.6	84.0	1.15	12.34	S, US
5	3600	56J	116698.00	√	845	C6T34DC92	45	208-230/460	12.4	85.5	1.15	13.88	S, US

Specifications are subject to change without notice

♥ Note listing on inside back flap

Threaded Shaft - Drip-Proof - Three Phase - C Face With Base

HP	SYN RPM 60 Hz	NEMA Frame	Catalog Number	Stock	List Price	Model Number	App. Wgt. (lbs)	Voltage	F. L. Amps @ 230 V	% F.L. Eff.	Service Factor	"C" Dim. (Inches)	♥ Notes
1/2	3600	S56J	102199.00	√	359	C4T34DK8	17	208-230/460	1.8	69.0	1.25	9.94	S, US
3/4	3600	S56J	101776.00	√	413	C4T34DK5	18	208-230/460	2.4	79.0	1.15	10.44	S, US
1	3600	S56J	101775.00	√	462	C4T34DK6	26	208-230/460	3.0	78.0	1.15	11.44	S, US
1 1/2	3600	56J	114203.00	√	562	C6T34DK5	33	208-230/460	4.2	81.5	1.15	11.34	S, US
2	3600	56J	114202.00	√	671	C6T34DK6	35	208-230/460	5.6	82.5	1.15	11.84	S, US
3	3600	56HJ	114201.00	√	791	C6T34DK7	35	208-230/460	8.0	84.0	1.15	11.84	S, US
5	3600	56HJ	116699.00	√	868	C6T34DK18	47	208-230/460	12.4	85.5	1.15	13.88	S, US

Specifications are subject to change without notice

♥ Note listing on inside back flap

View On-line Technical Information



Automotive Duty Motors

Pump Motors

Washguard Motors

Agricultural Motors

HVAC / Fan Motors

Special Voltage Motors

Definite Purpose Motors

Brake Motors

IEC Motors

Pump Motors

Jet Pump Motors - Three Phase

Threaded Shaft - Totally Enclosed - Three Phase - C Face Less Base

HP	SYN RPM 60 Hz	NEMA Frame	Catalog Number	Stock	List Price	Model Number	App. Wgt. (lbs)	Voltage	F. L. Amps @ 230 V	% F.L. Eff.	Service Factor	"C" Dim. (Inches)	♥Notes
1/2	3600	56J	114931.00	√	388	C6T34FC49	21	208-230/460	2.0	67.0	1.15	10.81	S, US
3/4	3600	56J	114208.00	√	429	C6T34FC37	22	208-230/460	2.4	75.5	1.15	11.31	S, US
1	3600	56J	114207.00	√	510	C6T34FC38	25	208-230/460	3.2	77.0	1.15	11.31	S, US
1 1/2	3600	56J	114206.00	√	530	C6T34FC39	31	208-230/460	4.2	81.5	1.15	12.31	S, US
2	3600	56J	114205.00	√	672	C6T34FC40	40	208-230/460	5.6	82.5	1.15	12.81	S, US
3	3600	56J	114204.00	√	727	C6T34FC41	52	208-230/460	7.6	84.0	1.15	13.31	S, US

Specifications are subject to change without notice

♥ Note listing on inside back flap

Threaded Shaft - Totally Enclosed - Three Phase - C Face With Base

HP	SYN RPM 60 Hz	NEMA Frame	Catalog Number	Stock	List Price	Model Number	App. Wgt. (lbs)	Voltage	F. L. Amps @ 230 V	% F.L. Eff.	Service Factor	"C" Dim. (Inches)	♥Notes
3/4	3600	56J	113028.00	√	515	C6T34FK34	23	208-230/460	2.4	75.5	1.15	11.31	S, US
1	3600	56J	113029.00	√	526	C6T34FK35	24	208-230/460	3.2	77.0	1.15	11.31	S, US
1 1/2	3600	56J	113030.00	√	542	C6T34FK36	31	208-230/460	4.2	81.5	1.15	12.31	S, US
2	3600	56J	113031.00	√	679	C6T34FK37	36	208-230/460	5.6	82.5	1.15	12.81	S, US
3	3600	56HJ	113032.00	√	741	C6T34FK38	39	208-230/460	7.6	84.0	1.15	13.31	S, US

Specifications are subject to change without notice

♥ Note listing on inside back flap

Threaded Shaft - Explosion Proof - TEFC/TENV Three Phase - C Face Less Base

HP	SYN RPM 60 Hz	NEMA Frame	Catalog Number	Stock	List Price	Model Number	App. Wgt. (lbs)	Voltage	F. L. Amps @ 230 V	% F.L. Eff.	Service Factor	"C" Dim. (Inches)	♥Notes
1/2	3600	56J	116187.00	√	929	A6T34EC28	33	208-230/460	1.6	82.5	1.0	12.87	S, US, 12, 47
1	3600	56J	116184.00	√	1000	A6T34XC31	33	208-230/460	3.6	77.0	1.0	13.46	S, US, 12
1 1/2	3600	56J	116182.00	√	1025	A6T34XC30	48	208-230/460	4.6	81.5	1.0	14.46	S, US, 12
2	3600	56J	116180.00	√	1071	A6T34XC29	50	208-230/460	6.0	82.5	1.0	14.96	S, US, 12

Specifications are subject to change without notice

♥ Note listing on inside back flap



View On-line Technical Information

Pump Motors

Washguard Jet Pump Motors

Washdown duty three phase jet pump motors for industrial service. These motors include all of the features of LEESON's White Duck Washguard motors with the addition of a 56J threaded shaft for use on jet pumps. For demanding pump applications in wet, humid, or washdown environments.



Washguard - Jet Pump - Threaded Shaft Three Phase - Totally Enclosed - C Face Less Base

HP	SYN RPM 60 Hz	NEMA Frame	Catalog Number	Stock	List Price	Model Number	App. Wgt. (lbs)	Voltage	F. L. Amps @ 230 V	% F.L. Eff.	Service Factor	"C" Dim. (Inches)	♥Notes
3/4	3600	56J	116774.00	√	672	C6T34WC14	23	208-230/460	2.4	75.5	1.15	10.81	S, US
1	3600	56J	116775.00	√	781	C6T34WC15	35	208-230/460	3.2	77.0	1.15	10.81	S, US
1 1/2	3600	56J	116776.00	√	831	C6T34WC13	42	208-230/460	4.2	81.5	1.15	11.81	S, US
2	3600	56J	116777.00	√	950	C6T34WC11	47	208-230/460	5.6	82.5	1.15	12.31	S, US
3	3600	56J	116778.00	√	997	C6T34WC10	49	208-230/460	7.6	84.0	1.15	13.25	S, US

Specifications are subject to change without notice

♥ Note listing on inside back flap

Washguard - Jet Pump - Threaded Shaft Three Phase - Totally Enclosed - C Face With Base

HP	SYN RPM 60 Hz	NEMA Frame	Catalog Number	Stock	List Price	Model Number	App. Wgt. (lbs)	Voltage	F. L. Amps @ 230 V	% F.L. Eff.	Service Factor	"C" Dim. (Inches)	♥Notes
3/4	3600	56J	116779.00	√	690	C6T34WK12	24	208-230/460	2.4	75.5	1.15	10.81	S, US
1	3600	56J	116780.00	√	801	C6T34WK13	36	208-230/460	3.2	77.0	1.15	10.81	S, US
1 1/2	3600	56J	116781.00	√	869	C6T34WK11	43	208-230/460	4.2	81.5	1.15	11.81	S, US
2	3600	56J	116782.00	√	966	C6T34WK10	48	208-230/460	5.6	82.5	1.15	12.31	S, US
3	3600	56J	116783.00	√	1029	C6T34WK9	50	208-230/460	7.6	84.0	1.15	13.25	S, US

Specifications are subject to change without notice

♥ Note listing on inside back flap



View On-line Technical Information



Automotive
Duty Motors

Pump
Motors

Washguard
Motors

Agricultural
Motors

HVAC / Fan
Motors

Special Voltage
Motors

Definite
Purpose Motors

Brake Motors

IEC Motors

Pump Motors

Carbonator Pump Motors

Application information:

Used in liquid transfer pumps that you may see in vending machines ideal for compact pump to motor mount applications.

Features:

- Interchangeable with OEM units
- Automatic overload protection
- Ball bearing designs

Single Phase - Drip-Proof - Rigid or Resilient Base

HP	SYN RPM 60 Hz	NEMA Frame	Catalog Number	Stock	List Price	Model Number	App. Wgt. (lbs)	Voltage	F. L. Amps	Service Factor	"C" Dim. (Inches)	♥Notes
1/4	1800	48Y	103520.00	√	192	A4S17DR62	14	208-240	2.3-2.4	1.0	7.69	S, MX, 63
	1800	48Y	103530.00	√	202	A4S17DR63	16	115/230	4.3-2.2	1.0	8.75	S, MX, 63
1/3	1800	48Y	103521.00	√	205	A4S17DR64	14	100-120/200-240	5.5-5.6/2.7-2.8	1.0	7.69	S, MX, 60
	1800	48Y	103531.00	√	210	A4S17DR65	14	100-120/200-240	5.5-5.6/2.7-2.8	1.0	7.69	S, MX, 63
1/2	1800	48Y	103522.00	√	230	A4S17DR66	17	100-120/200-240	7.1-7.2/3.4-3.6	1.0	8.75	S, MX, 63
3/4	1800	48Y	103523.00	√	275	A4S17DR67	19	115/230	10.4/5.2	1.0	9.15	S, MX, 63

Specifications are subject to change without notice

♥ Note listing on inside back flap



View On-line Technical Information



General Specifications:

For use with close-coupled pumps having NEMA JP mounting and shaft dimensions. In such applications, the pump impeller is mounted directly on the motor shaft.

For use where the environment is relatively clean and dry. For outdoor use, an enclosure or drip cover may be preferred.

Features:

- Open drip-proof construction with rigid base mounting.
- Locked bearing on shaft end limits axial shaft movement
- Drip cover kits available
- UL recognized and CSA certified
- Single phase designs are capacitor start, induction run
- All 180 and 210 frame rolled steel motors have class F insulation

Single Phase - Drip-Proof - Rigid Base

HP	SYN RPM 60 Hz	NEMA Frame	Catalog Number	Stock	List Price	Model Number	App. Wgt. (lbs)	Voltage	Over-load Prot.	F. L. Amps @ 230 V	Service Factor	"C" Dim. (Inches)	♥Notes
5	3600	184JP	131881.00	√	1390	C184K34DK6	95	230	None	22.0	1.15	19.38	S, MX
7 1/2	3600	213JP	140646.00	√	1651	C213K34DK1	121	230	None	37.0	1.15	14.17	S, MX, 37
10	3600	215JP	140647.00	√	2227	C215K34DK1	138	230	None	47.0	1.15	15.67	S, MX, 37

Specifications are subject to change without notice

♥ Note listing on inside back flap

Three Phase • Drip-Proof • Rigid Base

HP	SYN RPM 60 Hz	NEMA Frame	Catalog Number	Stock	List Price	Model Number	App. Wgt. (lbs)	Voltage	F. L. Amps @ 230 V	% F.L. Eff.	Service Factor	"C" Dim. (Inches)	♥Notes
1 1/2	1800	145JP	G121846.00	√	545	C145T17DK16	38	208-230/460	4.4	84.0	1.15	17.68	S, US, 39
2	1800	145JP	G121847.00	√	568	C145T17DK17	46	208-230/460	5.8	84.0	1.15	18.48	S, US, 39
3	3600	145JP	G121849.00	√	715	C145T34DK12	46	208-230/460	8.4	84.0	1.15	16.68	S, US, 39
5	1800	182JP	G131882.00	√	743	C182T17DK20A	58	208-230/460	9.2	86.5	1.15	19.91	S, MX, 14, 45
	3600	182JP	G131884.00	√	858	C182T34DK13A	65	208-230/460	12.0	85.5	1.15	19.65	S, MX, 45
7 1/2	1800	182JP	G131883.00	√	853	C184T17DK29A	70	208-230/460	13.2	87.5	1.15	20.41	S, MX, 45
	3600	184JP	G131885.00	√	1028	C184T34DK19A	80	208-230/460	17.6	87.5	1.15	20.41	S, MX, 45
10	1800	213JP	G140667.00	√	1404	C213T17DK14	146	208-230/460	19.2	88.5	1.15	23.03	S, MX, 41
	3600	213JP	G140655.00	√	1322	C213T34DK2	140	208-230/460	23.4	88.5	1.15	23.03	S, US, 37
15	1800	215JP	G140668.00	√	1604	C215T17DK12	134	208-230/460	25.0	89.5	1.15	25.00	S, MX, 41
	3600	215JP	G140656.00	√	1635	C215T34DK2	147	208-230/460	34.0	89.5	1.15	34.00	S, US, 37
20	1800	254JP	G801051.00	√	1983	254TTDX14067	170	208-230/460	38.5	91.0	1.15	38.50	S, MX
	3600	254JP	G801056.00	√	2060	254TTDX14305	175	208-230/460	46.0	90.2	1.15	25.29	S, US
25	1800	256JP	G801052.00	√	2396	256TTDX14054	222	208-230/460	52.0	91.0	1.15	52.00	S, MX
	3600	256JP	G801057.00	√	2427	256TTDX14019	181	208-230/460	58.0	91.0	1.15	27.04	S, US
30	1800	284JP	G801053.00	√	3222	284TTDP14048	332	230/460	61.0	91.7	1.15	27.18	C, US
	3600	284JP	G801058.00	√	3234	284TTDP14012	336	230/460	73.0	91.0	1.15	27.18	C, US
40	1800	286JP	G801054.00	√	3344	286TTDP14052	342	230/460	72.0	92.4	1.15	28.68	C, US
	3600	286JP	G801059.00	√	3564	286TTDP14012	385	230/460	94.0	91.7	1.15	28.68	C, US
50	1800	324JP	G801055.00	√	3598	324TTDP14052	487	230/460	97	93.0	1.15	29.12	C, US
	3600	324JP	G801060.00	√	4735	324TTDP14014	472	230/460	117.0	92.4	1.15	29.12	C, US

Specifications are subject to change without notice

♥ Note listing on inside back flap

Drip-Cover Kits For JP Pump Motors – See ♥ Note listing

Frame	Catalog Number	List Price	Enclosure
56-145JP	175932.00	32	ODP or TEFC
182JP-184JP	175933.00	36	ODP
213JP-215JP	175305.00	106	ODP
213JP-215JP	175846.00	106	ODP
182JP-184JP	175614.00	75	ODP

View On-line Technical Information



Automotive Duty Motors

Pump Motors

Washguard Motors

Agricultural Motors

HVAC / Fan Motors

Special Voltage Motors

Definite Purpose Motors

Brake Motors

IEC Motors

Pump Motors

JM Pump Motors - Single & Three Phase

General Specifications:

Designed for continuous duty service on close-coupled pumps using NEMA JM mounting provisions. All motors have a rigid mounting base and NEMA JM pump shaft.

Features:

- Cooling air exhausts at shaft end for maximum cooling
- Locked bearing shaft end
- Drip-cover kits available

Electrical Features:

- High efficiency copper windings
- UL and CSA recognized designs
- Single phase designs are capacitor start/induction run unless indicated otherwise
- Class F Insulation



Single Phase - Drip-Proof - Rigid or Resilient Base

HP	SYN RPM 60 Hz	NEMA Frame	Catalog Number	Stock	List Price	Model Number	App. Wgt. (lbs)	Voltage	Over- load Prot.	F. L. Amps @ 230 V	Service Factor	"C" Dim. (Inches)	♥Notes
1	1800	143JM	120996.00	√	801	C143C17DK1	42	115/208-230	None	6.4	1.15	13.91	S, US, 38, 53
1 1/2	1800	145JM	120994.00	√	807	C145K17DK8	45	115/208-230	None	8.6	1.15	14.91	S, US, 38, 53
2	3600	145JM	121190.00	√	826	C145C34DK3	47	115/208-230	None	10.5	1.15	14.91	S, US, 38, 53
	1800	145JM	120995.00	√	809	C145K17DK9	45	115/208-230	None	10.5	1.15	15.41	S, US, 38, 53
3	1800	182JM	132073.00	√	845	C182C17DK3	70	115/208-230	None	12.4	1.15	13.19	S, MX, 40
	3600	182JM	131640.00	√	978	C182K34DK1	80	115/208-230	None	15.2	1.15	16.32	S, MX, 40, 53
5	1800	182JM	131604.00	√	1124	C182C17DK2	73	230	None	16.8	1.15	15.82	S, MX, 40
	3600	184JM	131641.00	√	1390	C184K34DK3	95	115/208-230	None	24.0	1.15	17.32	S, MX, 40, 53
7 1/2	1800	184JM	131605.00	√	1597	C184K17DK14	82	230	None	21.0	1.15	16.32	S, MX, 40, 53
	3600	213JM	140642.00	√	1977	C213K34DK2	109	230	None	37.0	1.15	14.17	S, MX, 37, 53
10	1800	215JM	140665.00	√	2106	C215K17DK1	141	230	None	40.5	1.15	18.38	S, MX, 37, 53
	3600	215JM	140644.00	√	2227	C215K34DK2	135	230	None	47.0	1.15	18.38	S, MX, 37, 53
	1800	215JM	140666.00	√	2606	C215K17DK2A	144	230	None	43.0	1.15	19.88	S, MX, 37, 53

Specifications are subject to change without notice

♥ Note listing on inside back flap



View On-line Technical Information

Pump Motors

JM Pump Motors - Single & Three Phase

Three Phase - Drip-Proof - Rigid Base

HP	SYN RPM 60 Hz	NEMA Frame	Catalog Number	Stock	List Price	Model Number	App. Wgt. (lbs)	Voltage	F. L. Amps @ 230 V	% F.L. Eff.	Service Factor	"C" Dim. (Inches)	♥Notes
1	1800	143JM	G121850.00	√	556	C143T17DK3	44	208-230/460	3.1	82.5	1.15	14.62	S, WP, 39
1 1/2	1800	145JM	G121851.00	√	602	C145T17DK18	44	208-230/460	4.8	84.0	1.15	14.62	S, WP, 39
2	3600	145JM	G121853.00	√	696	C145T34DK13	44	208-230/460	5.4	84.0	1.15	13.42	S, WP, 39
	1800	145JM	G121852.00	√	625	C145T17DK19	48	208-230/460	5.8	84.0	1.15	15.12	S, WP, 39
3	3600	145JM	G121854.00	√	771	C145T34DK14	45	208-230/460	8.4	84.0	1.15	13.62	S, WP, 39
	1800	182JM	G131562.00	√	825	C182T17DK19	64	208-230/460	9.2	86.5	1.15	16.09	S, MX, 45
5	3600	182JM	G131574.00	√	1016	C182T34DK12	66	208-230/460	12.0	85.5	1.15	16.35	S, MX, 45
	1800	184JM	G131563.00	√	951	C184T17DK28	71	208-230/460	13.2	87.5	1.15	17.09	S, MX, 45
7 1/2	3600	184JM	G131576.00	√	1116	C184T34DK18	108	208-230/460	17.6	87.5	1.15	17.09	S, MX, 45
	1800	213JM	G140618.00	√	1187	C213T17DK13	147	208-230/460	19.2	88.5	1.15	19.16	S, MX, 41
10	3600	213JM	G141121.00	√	1319	C213T34DK5	130	208-230/460	23.4	88.5	1.15	19.16	S, MX, 37
	1800	215JM	G140619.00	√	1357	C215T17DK11	135	208-230/460	25.0	89.5	1.15	19.16	S, MX, 41
15	3600	215JM	G151380.60	√	1891	C215T34DK9	175	208-230/460	34.0	89.5	1.15	20.41	C, CN, 43
	1800	254JM	G151361.60	√	2040	C254T17DK7	268	208-230/460	38.5	91.0	1.15	25.45	C, CN, 44
20	3600	254JM	G151381.60	√	2057	C254T34DK5	261	208-230/460	46.0	90.2	1.15	22.42	C, CN, 44
	1800	256JM	G151362.60	√	2148	C256T17DK5	310	208-230/460	52.0	91.0	1.15	24.17	C, CN, 44
25	3600	256JM	G151382.60	√	2572	C256T34DK5	295	208-230/460	58.0	91.0	1.15	24.17	C, CN, 44
	1800	284JM	G801028.00	√	3188	284TTDP14049	391	230/460	66.0	91.7	1.15	24.31	C, US
30	3600	284JM	G801040.00	√	3225	284TTDP14013	376	230/460	73.0	91.0	1.15	24.31	C, US
	1800	286JM	G801029.00	√	3344	286TTDP14053	437	230/460	72.0	92.4	1.15	25.81	C, US
40	3600	286JM	G801041.00	√	3702	286TTDP14011	429	230/460	94.0	91.7	1.15	25.81	C, US
	1800	324JM	G801030.00	√	4368	324TTDP14055	531	230/460	97.0	93.0	1.15	26.25	C, US
50	3600	324JM	G801042.00	√	5031	324TTDP14013	514	230/460	117.0	92.4	1.15	26.25	C, US

Specifications are subject to change without notice

♥ Note listing on inside back flap

Drip-Cover Kits For JM Pump Motors – See ♥ Note listing

Frame	Catalog Number	List Price	Enclosure
143-145JM	175004.00	59	ODP
143-145JM	175932.00	32	ODP or TEFC
182-184JM	175933.00	36	ODP
182-184JM	175695.00	179	TEFC
213-215JM	175305.00	106	ODP
213-215JM	175846.00	106	ODP
213-215JM	175849.00	106	TEFC
213-215JM	175962.00‡	106	ODP
254-256JM	175963.00‡	135	ODP
182-184JM	175614.00	75	ODP

‡ For use with Cast Iron Motors

View On-line Technical Information



Automotive
Duty Motors

Pump
Motors

Washguard
Motors

Agricultural
Motors

HVAC / Fan
Motors

Special Voltage
Motors

Definite
Purpose Motors

Brake Motors

IEC Motors

Pump Motors

JM Pump Motors - TEFC - Three Phase

General Specifications:

Designed for continuous duty service on close-coupled pumps using NEMA JM mounting provisions. All motors have a rigid mounting base and NEMA JM pump shaft.

Features:

- Totally enclosed fan cooled construction for maximum life in dirty or severe environments. Oversized locked bearing on shaft end limits axial shaft movement. Drip covers are available as accessory kits for 143-5JM and 182-4JM motors—see letter designations in the table for the correct kit. Some 182-4JM frame motors have enclosed endshields as standard with frame vents meeting the 12° drip-proof requirement. No drip cover is needed, or shown in the table, for these motors
- Totally enclosed designs for use in dirty or severe environments
- Oversized locked bearing on shaft end limits axial shaft movement
- Drip cover kits available
- High efficiency copper windings
- UL and CSA recognized designs



Single Phase - Drip-Proof - Rigid or Resilient Base

HP	SYN RPM 60 Hz	NEMA Frame	Catalog Number	Stock	List Price	Model Number	App. Wgt. (lbs)	Voltage	F. L. Amps @ 230 V	% F.L. Eff.	Service Factor	"C" Dim. (Inches)	♥Notes
1	1800	143JM	G121855.00	✓	618	C143T17FK19	35	208-230/460	3.0	82.5	1.15	15.00	S, MX
1 1/2	3600	143JM	G121858.00	✓	623	C143T34FK14	37	208-230/460	4.0	82.5	1.15	15.00	S, US
	1800	145JM	G121856.00	✓	676	C145T17FK53	46	208-230/460	4.4	84.0	1.15	16.50	S, US
2	3600	145JM	G121859.00	✓	765	C145T34FK37	38	208-230/460	5.2	84.0	1.15	15.50	S, US
	1800	145JM	G121857.00	✓	672	C145T17FK54	50	208-230/460	5.6	84.0	1.15	16.00	S, US
3	3600	145JM	G121860.00	✓	811	C145T34FK38	49	208-230/460	7.4	85.5	1.15	17.35	S, US
	1800	182JM	G131579.00	✓	823	C182T17FK26	75	230/460	8.4	87.5	1.15	17.85	S, MX
5	3600	184JM	G131580.00	✓	1101	C184T34FK39	82	208-230/460	12.4	87.5	1.15	18.35	S, MX
	1800	184JM	G131581.00	✓	1071	C184T17FK33	97	230/460	12.6	87.5	1.15	18.85	S, MX
7 1/2	3600	184JM	G131582.00	✓	1221	C184T34FK40	104	208-230/460	18.4	88.5	1.15	22.09	S, MX
	3600	S213JM	G132027.00	✓	1348	C184T34FK41	121	208-230/460	18.4	88.5	1.15	22.09	S, MX
	1800	215JM	G140622.00	✓	1423	C213T17FK23	127	208-230/460	20.0	89.5	1.15	20.59	S, MX
10	3600	213JM	G141122.00	✓	1630	C213T34FK2	130	208-230/460	24.0	89.5	1.15	22.09	S, MX
	1800	215JM	G140623.00	✓	1755	C215T17FK18	145	208-230/460	25.6	90.2	1.15	22.09	S, MX
15	3600	215JM	G140764.00	✓	1955	C215T34FK10	139	208-230/460	35.0	90.2	1.15	24.74	S, MX
	3600	254JM	G151567.60	✓	2281	C254T34FK11	171	208-230/460	35.0	90.2	1.15	24.80	C, CN
	1800	254JM	G151568.60	✓	2219	A254T17FK12	287	208-230/460	37.0	91.0	1.15	24.80	C, CN
20	3600	254JM	G151569.60	✓	2489	C254T34FK12	299	208-230/460	46.2	90.2	1.15	24.80	C, CN
	1800	254JM	G151570.60	✓	2692	C256T17FK5	324	208-230/460	48.2	91.0	1.15	26.50	C, CN
25	3600	256JM	G151417.60	✓	3082	C256T34FK8	311	208-230/460	56.4	91.0	1.15	28.00	C, CN
	1800	284JM	G151418.60	✓	3030	C284T17FK6	373	208-230/460	58.8	92.4	1.15	28.17	C, CN
30	3600	284JM	G151420.60	✓	3656	C284T34FK12	378	208-230/460	69.2	91.0	1.15	28.17	C, CN
	1800	286JM	G151422.60	✓	3597	C286T17FK11	431	208-230/460	69.8	92.4	1.15	29.74	C, CN
40	3600	286JM	G151424.60	✓	4557	C286T34FK16	499	208-230/460	93.0	91.7	1.15	29.74	C, CN
	1800	324JM	G151426.60	✓	4413	C324T17FK12	531	208-230/460	90.0	93.0	1.15	32.33	C, CN

Specifications are subject to change without notice

♥ Note listing on inside back flap



View On-line Technical Information

General Specifications:

For use with close-coupled pumps having NEMA JP mounting and shaft dimensions. Used in applications where the pump impeller is mounted directly on the motor shaft. Designed for continuous duty service.

Features:

- 1.25 Service Factor
- All cast iron construction
- EPACT efficient
- Re-greasable bearings
- UL recognized and CSA certified
- Class F Insulation



TEFC JP Pump Motors - Rigid Base

HP	SYN RPM 60 Hz	NEMA Frame	Catalog Number	Stock	List Price	Model Number	App. Wgt. (lbs)	Voltage	F. L. Amps @ 230 V	% F.L. Eff.	Service Factor	"C" Dim. (Inches)	Notes
1 1/2	1800	145JP	G151736.60	✓	571	C145T17FK60	54	208-230/460	4.5	85.5	1.15	18.66	C, CN
2	1800	145JP	G151737.60	✓	589	C145T17FK61	57	208-230/460	5.8	85.5	1.15	18.66	C, CN
3	3600	182JP	G151738.60	✓	1071	C182T34FK12	91	208-230/460	7.4	85.5	1.15	20.71	C, CN
	1800	182JP	G151739.60	✓	982	C182T17FK24	95	208-230/460	8.5	87.5	1.15	20.71	C, CN
5	3600	184JP	G151740.60	✓	1099	C184T34FK35	103	208-230/460	12.0	87.5	1.15	20.71	C, CN
	1800	184JP	G151741.60	✓	1086	C184T17FK31	103	208-230/460	13.8	87.5	1.15	20.71	C, CN
7 1/2	3600	184JP	G151742.60	✓	1322	C184T34FK38	156	208-230/460	17.8	88.5	1.15	20.71	C, CN
	1800	213JP	G151743.60	✓	1242	C213T17FK17	158	208-230/460	19.2	89.5	1.15	24.02	C, CN
10	3600	213JP	G151744.60	✓	1541	C213T34FK4A	166	208-230/460	23.6	89.5	1.15	24.02	C, CN
	1800	215JP	G151745.60	✓	1499	C215T17FK13	179	208-230/460	25.2	89.5	1.15	25.74	C, CN
15	3600	215JP	G151746.60	✓	2159	C215T34FK14	249	208-230/460	35.0	90.2	1.15	25.74	C, CN
	1800	254JP	G151747.60	✓	2292	C254T17FK10	281	208-230/460	37.0	92.4	1.15	28.03	C, CN
20	3600	254JP	G151748.60	✓	2860	C254T34FK10	260	208-230/460	46.2	90.2	1.15	28.03	C, CN
	1800	256JP	G151749.60	✓	2709	C256T17FK10	324	208-230/460	48.2	91.0	1.15	29.76	C, CN
25	3600	256JP	G151750.60	✓	3412	C256T34FK7	366	208-230/460	58.2	91.0	1.15	29.76	C, CN
	1800	284JP	G151751.60	✓	3426	C284T17FK8	391	208-230/460	58.8	92.4	1.15	30.04	C, CN
30	3600	284JP	G151752.60	✓	3715	C286T34FK7	380	208-230/460	69.2	91.0	1.15	30.04	C, CN
	1800	286JP	G151753.60	✓	3599	C286T17FK7	438	208-230/460	69.8	92.4	1.15	31.61	C, CN
40	3600	286JP	G151754.60	✓	4700	C324T34FK9	580	208-230/460	93.0	91.7	1.15	31.61	C, CN
	1800	324JP	G151755.60	✓	4479	C324T17FK8	583	208-230/460	90.0	93.0	1.15	32.80	C, CN
50	3600	324JP	G151756.60	✓	5782	C326T34FK7	610	208-230/460	112.0	92.4	1.15	34.17	C, CN

Specifications are subject to change without notice

♥ Note listing on inside back flap

View On-line Technical Information



Automotive
Duty Motors

Pump
Motors

Washguard
Motors

Agricultural
Motors

HVAC / Fan
Motors

Special Voltage
Motors

Definite
Purpose Motors

Brake Motors

IEC Motors

Pump Motors

Lincoln Fire Pump Motors - Drip-Proof - Rigid Base



Features:

- 25 to 500 horsepower
- 3600 & 1800 RPM's
- 250 frame rolled steel construction
- 280 frame and larger - cast iron construction
- EPACT efficiency
- Ball bearings
- NEMA design B, code G
- 230/460 and 460 volt motors rated for 50HZ at next lower HP, with 1.15 S.F. on nameplate
- Dual voltage motors – 12 leads suitable for Y-Delta, low voltage PWS, and across the line start
- Single voltage motors – 12 leads suitable for Y-Delta, PWS, and across the line start
- C Face kits available through 250HP
- For special designs contact district sales office near you
- Exterior red paint
- UL listed and CSA certified (UL1004A) and CE marked

Three Phase - Drip-Proof - Rigid Base

HP	SYN RPM 60 Hz	NEMA Frame	▼ Catalog Number	Stock	List Price	Model Number	App. Wgt. (lbs)	Voltage	* F. L. Amps	% F.L. Eff.	Service Factor	"C" Dim. (Inches)	♥ Notes
25	3600	256T	LM80103	C/A	1710	SSD2P25T62AP5	164	200/400	---	91.0	1.15	---	S, US
	3600	256T	LM80104	C/A	1710	SSD2P25T61AP5	164	230/460	58.0	91.0	1.15	22.32	S, US
	1800	284T	LM80105	C/A	2402	CCD4P25T62YAP5	420	200/400	70.0	91.7	1.15	23.49	C, US
	1800	284T	LM80106	C/A	2402	CCD4P25T61YAP5	420	230/460	61.0	91.7	1.15	23.49	C, US
30	3600	284TS	LM80107	C/A	2573	CCD2P30TS62YAP5	318	200/400	83.0	91.0	1.15	22.06	C, US
	3600	284TS	LM80108	C/A	2573	CCD2P30TS61YAP5	318	230/460	---	91.0	1.15	---	C, US
	1800	286T	LM80109	C/A	2831	CCD4P30T62YAP5	364	200/400	---	92.4	1.15	---	C, US
	1800	286T	LM80110	C/A	2831	CCD4P30T61YAP5	364	230/460	---	92.4	1.15	---	C, US
40	3600	286TS	LM80111	C/A	2871	CCD2P40TS62YAP5	360	200/400	---	91.7	1.15	---	C, US
	3600	286TS	LM80112	✓	2871	CCD2P40TS61YAP5	360	230/460	94.0	91.7	1.15	23.56	C, US
	1800	324TS	LM80113	C/A	3185	CCD4P40TS62YAP5	465	200/400	---	93.0	1.15	---	C, US
	1800	324TS	LM80114	C/A	3185	CCD4P40TS61YAP5	465	230/460	---	93.0	1.15	---	C, US
	1800	324T	LM80115	C/A	3185	CCD4P40T62YAP5	465	200/400	---	93.0	1.15	---	C, US
	1800	324T	LM80116	✓	3185	CCD4P40T61YAP5	465	230/460	97.0	93.0	1.15	26.00	C, US
50	3600	324TS	LM80117	C/A	3037	CCD2P50TS62YAP5	415	200/400	---	92.4	1.15	---	C, US
	3600	324TS	LM80118	✓	3037	CCD2P50TS61YAP5	415	230/460	117.0	92.4	1.15	24.50	C, US
	1800	326TS	LM80119	C/A	3393	CCD4P50TS62YAP5	515	200/400	142.0	93.0	1.15	26.00	C, US
	1800	326TS	LM80120	C/A	3393	CCD4P50TS61YAP5	515	230/460	---	93.0	1.15	---	C, US
	1800	326T	LM80121	C/A	3393	CCD4P50T62YAP5	515	200/400	---	93.0	1.15	---	C, US
	1800	326T	LM80122	✓	3393	CCD4P50T61YAP5	515	230/460	123.0	93.0	1.15	27.50	C, US

▼ LM Numbers are Lincoln Models

♥ Note listing on inside back flap

* Full load Amps at lowest listed voltage

Continued On Next Page

C/A - Check Availability

Specifications are subject to change without notice



View On-line Technical Information

Lincoln Fire Pump Motors - Drip-Proof - Rigid Base

Three Phase - Drip-Proof - Rigid Base

HP	SYN RPM 60 Hz	NEMA Frame	▼ Catalog Number	Stock	List Price	Model Number	App. Wgt. (lbs)	Voltage	* F. L. Amps	% F.L. Eff.	Service Factor	"C" Dim. (Inches)	♥Notes
60	3600	326TS	LM80123	C/A	3384	CCD2P60TS62YAP5	340	200/400	—	93.0	1.15	—	C, US
	3600	326TS	LM80124	✓	3384	CCD2P60TS61YAP5	340	230/460	135.0	93.0	1.15	26.00	C, US
	1800	364TS	LM80125	C/A	6420	CCD4P60TS62YAP5	805	200/400	—	93.6	1.15	—	C, US
	1800	364TS	LM80126	C/A	6420	CCD4P60TS61YAP5	805	230/460	—	93.6	1.15	—	C, US
	1800	364T	LM80127	C/A	6420	CCD4P60T62YAP5	805	200/400	—	93.6	1.15	—	C, US
	1800	364T	LM80128	C/A	6420	CCD4P60T61YAP5	805	230/460	144.0	93.6	1.15	28.62	C, US
75	3600	364TS	LM80129	C/A	6271	CCD2P75TS62YAP5	950	200/400	211.0	93.0	1.15	26.50	C, US
	3600	364TS	LM80130	✓	6666	CCD2P75TS61YAP5	950	230/460	183.0	93.0	1.15	26.50	C, US
	1800	365TS	LM80131	C/A	6680	CCD4P75TS62YAP5	766	200/400	—	94.1	1.15	—	C, US
	1800	365TS	LM80132	C/A	6680	CCD4P75TS61YAP5	766	230/460	—	94.1	1.15	—	C, US
	1800	365T	LM80133	C/A	6680	CCD4P75T62YAP5	766	200/400	204.0	94.1	1.15	29.62	C, US
	1800	365T	LM80134	✓	6680	CCD4P75T61YAP5	766	230/460	177.0	94.1	1.15	29.62	C, US
100	3600	365TS	LM80135	C/A	6528	CCD2P100TS62YAP5	730	200/400	—	93.0	1.15	—	C, US
	3600	365TS	LM80136	✓	6528	CCD2P100TS61YAP5	730	230/460	240.0	93.0	1.15	27.50	C, US
	1800	404TS	LM80137	C/A	8214	CCD4P100TS62YAP5	1065	200/400	—	94.1	1.15	—	C, US
	1800	404TS	LM80138	C/A	8214	CCD4P100TS61YAP5	1065	230/460	236.0	94.1	1.15	29.50	C, US
	1800	404T	LM80139	C/A	8214	CCD4P100T62YAP5	1065	200/400	271.0	94.1	1.15	32.50	C, US
	1800	404T	LM80140	✓	8214	CCD4P100T61YAP5	1065	230/460	236.0	94.1	1.15	32.50	C, US
125	3600	404TS	LM80141	C/A	7778	CCD2P125TS62YAP5	949	200/400	—	93.6	1.15	—	C, US
	3600	404TS	LM80142	✓	7778	CCD2P125TS61YAP5	949	230/460	284.0	93.6	1.15	29.50	C, US
	1800	405TS	LM80143	C/A	8785	CCD4P125TS62YAP5	1070	200/400	—	94.5	1.15	—	C, US
	1800	405TS	LM80144	C/A	8785	CCD4P125TS61YAP5	1070	230/460	288.0	94.5	1.15	31.00	C, US
	1800	405T	LM80145	C/A	8785	CCD4P125T62YAP5	1070	200/400	—	94.5	1.15	—	C, US
	1800	405T	LM80146	✓	8785	CCD4P125T61YAP5	1070	230/460	288.0	94.5	1.15	34.00	C, US
150	3600	405TS	LM80147	C/A	8018	CCD2P150TS6011PYAP5	983	400	—	93.6	1.15	—	C, US
	3600	405TS	LM80148	✓	8018	CCD2P150TS64PYAP5	983	460	169.0	93.6	1.15	31.00	C, US
	1800	444TS	LM80149	C/A	10269	CCD4P150TS6011PYAP5	1265	400	199.0	95.0	1.15	34.00	C, US
	1800	444TS	LM80150	C/A	10269	CCD4P150TS64PYAP5	1265	460	173.0	95.0	1.15	34.00	C, US
	1800	444T	LM80151	C/A	10269	CCD4P150T6011PYAP5	1265	400	199.0	95.0	1.15	37.75	C, US
	1800	444T	LM80152	✓	10269	CCD4P150T64PYAP5	1265	460	173.0	95.0	1.15	37.75	C, US
200	3600	444TS	LM80153	C/A	10378	CCD2P200TS6011PYAP5	1315	400	259.0	94.5	1.15	34.00	C, US
	3600	444TS	LM80154	✓	10378	CCD2P200TS64PYAP5	1315	460	225.0	94.5	1.15	34.00	C, US
	1800	445TS	LM80155	C/A	11032	CCD4P200TS6011PYAP5	1412	400	268.0	95.0	1.15	36.00	C, US
	1800	445TS	LM80156	C/A	11032	CCD4P200TS64PYAP5	1412	460	233.0	95.0	1.15	36.00	C, US
	1800	445T	LM80157	C/A	11032	CCD4P200T6011PYAP5	1412	400	268.0	95.0	1.15	39.75	C, US
	1800	445T	LM80158	✓	11032	CCD4P200T64PYAP5	1412	460	233.0	95.0	1.15	39.75	C, US
250	3600	445TS	LM80159	C/A	10132	CCD2P250TS6011PYAP5	1387	400	321.0	94.5	1.15	36.00	C, US
	3600	445TS	LM80160	✓	10132	CCD2P250TS64PYAP5	1387	460	279.0	94.5	1.15	36.00	C, US
	1800	445TS	LM80161	C/A	10976	CCD4P250TS6011PYAP5	1428	400	328.0	95.4	1.15	36.00	C, US
	1800	445TS	LM80162	C/A	10976	CCD4P250TS64PYAP5	1428	460	285.0	95.4	1.15	36.00	C, US
	1800	445T	LM80163	C/A	10976	CCD4P250T6011PYAP5	1428	400	328.0	95.4	1.15	39.75	C, US
	1800	445T	LM80164	✓	10976	CCD4P250T64PYAP5	1428	460	285.0	95.4	1.15	39.75	C, US

▼ LM Numbers are Lincoln Models

♥ Note listing on inside back flap

* Full load Amps at lowest listed voltage

Continued On Next Page

C/A - Check Availability

Specifications are subject to change without notice

View On-line Technical Information



Automotive Duty Motors

Pump Motors

Washguard Motors

Agricultural Motors

HVAC / Fan Motors

Special Voltage Motors

Definite Purpose Motors

Brake Motors

IEC Motors

Pump Motors

Lincoln Fire Pump Motors - Drip-Proof - Rigid Base

Three Phase - Drip-Proof - Rigid Base

HP	SYN RPM 60 Hz	NEMA Frame	▼ Catalog Number	Stock	List Price	Model Number	App. Wgt. (lbs)	Voltage	* F. L. Amps	% F.L. Eff.	Service Factor	"C" Dim. (Inches)	♥Notes
300	3600	447TS	LM80165	C/A	14882	CCD2P300TS6011PYAP5	2255	400	382.0	95.0	1.15	39.50	C, US
	3600	447TS	LM80166	√	14882	CCD2P300TS64PYAP5	2255	460	332.0	95.0	1.15	39.50	C, US
	1800	447TS	LM80167	C/A	15637	CCD4P300TS6011PYAP5	1952	400	397.0	95.4	1.15	39.50	C, US
	1800	447TS	LM80168	C/A	15637	CCD4P300TS64PYAP5	1952	460	345.0	95.4	1.15	39.50	C, US
	1800	447T	LM80169	C/A	15637	CCD4P300T6011PYAP5	1952	400	397.0	95.4	1.15	43.25	C, US
	1800	447T	LM80170	√	15637	CCD4P300T64PYAP5	1952	460	345.0	95.4	1.15	43.25	C, US
350	3600	447TS	LM80171	C/A	15503	CCD2P350TS6011PYAP5	2068	400	443.0	95.0	1.15	39.50	C, US
	3600	447TS	LM80172	√	15503	CCD2P350TS64PYAP5	2068	460	385.0	95.0	1.15	39.50	C, US
	1800	447TS	LM80173	C/A	15600	CCD4P350TS6011PYAP5	1950	400	466.0	95.4	1.15	39.50	C, US
	1800	447TS	LM80174	C/A	15600	CCD4P350TS64PYAP5	1950	460	405.0	95.4	1.15	39.50	C, US
	1800	447T	LM80175	C/A	15600	CCD4P350T6011PYAP5	1950	400	466.0	95.4	1.15	43.25	C, US
	1800	447T	LM80176	√	15600	CCD4P350T64PYAP5	1950	460	405.0	95.4	1.15	43.25	C, US
400	3600	447TS	LM80177	√	17901	CCD2P400TS64PYAP5	2150	460	435.0	95.4	1.15	39.50	C, US
	1800	447TS	LM80178	√	17457	CCD4P400TS64PYAP5	2214	460	450.0	95.4	1.15	39.50	C, US
450	3600	449TS	LM80179	√	23143	CCD2P450TS64PYAP5	2544	460	495.0	95.8	1.15	44.50	C, US
	1800	449TS	LM80180	√	23161	CCD4P450TS64PYAP5	2675	460	505.0	95.8	1.15	44.50	C, US
500	3600	449TS	LM80181	√	24762	CCD2P500TS64PYAP5	2544	460	546.0	95.8	1.15	44.50	C, US
	1800	449TS	LM80182	√	25284	CCD4P500TS64PYAP5	2695	460	560.0	95.8	1.15	44.50	C, US

▼ LM Numbers are Lincoln Models

♥ Note listing on inside back flap

* Full Load Amps at 400 or 460 Volts

C/A - Check Availability

Specifications are subject to change without notice



View On-line Technical Information





Features:

- 3 to 450 horsepower
- 3600 & 1800 RPM's
- EPACT efficiency
- Ball bearings
- NEMA design B, code G
- 230/460 and 460 volt motors rated for 50HZ at next lower HP, with 1.15 S.F. on nameplate
- Dual voltage motors – 12 leads suitable for Y-Delta, low voltage PWS, and across the line start
- Single voltage motors – 12 leads suitable for Y-Delta, PWS, and across the line start
- C-Face kits available through 250HP
- For special designs contact district sales office near you
- Exterior red paint
- UL listed and CSA certified (UL1004A) and CE marked

Three Phase - TEFC - Rigid Base

HP	SYN RPM 60 Hz	NEMA Frame	▼ Catalog Number	Stock	List Price	Model Number	App. Wgt. (lbs)	Voltage	* F. L. Amps	% F.L. Eff.	Service Factor	"C" Dim. (Inches)	♥Notes
3	3600	182T	LM80050	C/A	901	CCF2P3T62AP5	84	200/400	8.50	86.5	1.15	15.87	C, US
	3600	182T	LM80051	C/A	901	CCF2P3T61AP5	84	230/460	7.40	86.5	1.15	15.87	C, US
	1800	182T	LM80052	C/A	662	CCF4P3T62AP5	90	200/400	9.90	87.5	1.15	15.87	C, US
	1800	182T	LM80053	C/A	662	CCF4P3T61AP5	90	230/460	8.60	87.5	1.15	15.87	C, US
5	3600	184T	LM80054	C/A	1037	CCF2P5T62AP5	108	200/400	14.0	87.5	1.15	15.87	C, US
	3600	184T	LM80055	C/A	1037	CCF2P5T61AP5	108	230/460	12.2	87.5	1.15	15.87	C, US
	1800	184T	LM80056	✓	764	CCF4P5T62AP5	123	200/400	15.0	87.5	1.15	15.87	C, US
	1800	184T	LM80057	✓	764	CCF4P5T61AP5	123	230/460	13.0	87.5	1.15	15.87	C, US
7.5	3600	213T	LM80058	C/A	1312	CCF2P7.5T62AP5	188	200/400	21.9	88.5	1.15	18.20	C, US
	3600	213T	LM80059	C/A	1312	CCF2P7.5T61AP5	188	230/460	19.0	88.5	1.15	18.20	C, US
	1800	213T	LM80060	C/A	975	CCF4P7.5T62AP5	194	200/400	23.0	89.5	1.15	18.20	C, US
	1800	213T	LM80061	C/A	975	CCF4P7.5T61AP5	194	230/460	20.0	89.5	1.15	—	C, US
10	3600	215T	LM80062	C/A	1532	CCF2P10T62AP5	217	200/400	27.6	89.5	1.15	—	C, US
	3600	215T	LM80063	C/A	1532	CCF2P10T61AP5	217	230/460	24.0	89.5	1.15	—	C, US
	1800	215T	LM80064	C/A	1186	CCF4P10T62AP5	227	200/400	28.8	89.5	1.15	—	C, US
	1800	215T	LM80065	✓	1186	CCF4P10T61AP5	227	230/460	25.0	89.5	1.15	—	C, US
15	3600	254T	LM80066	C/A	2160	CCF2P15T62AP5	370	200/400	—	90.2	1.15	—	C, US
	3600	254T	LM80067	C/A	2160	CCF2P15T61AP5	370	230/460	—	90.2	1.15	—	C, US
	1800	254T	LM80068	C/A	1749	CCF4P15T62AP5	365	200/400	—	91.0	1.15	—	C, US
	1800	254T	LM80069	C/A	1749	CCF4P15T61AP5	365	230/460	39.0	91.0	1.15	23.52	C, US
20	3600	256T	LM80070	C/A	2610	CCF2P20T62AP5	334	200/400	—	90.2	1.15	—	C, US
	3600	256T	LM80071	C/A	2610	CCF2P20T61AP5	334	230/460	—	90.2	1.15	—	C, US
	1800	256T	LM80072	C/A	2072	CCF4P20T62AP5	420	200/400	57.5	91.0	1.15	25.27	C, US
	1800	256T	LM80073	C/A	2072	CCF4P20T61AP5	420	230/460	50.0	91.0	1.15	12.00	C, US
25	3600	284TS	LM80074	C/A	3377	CCF2P25TS62YAP5	384	200/400	—	91.0	1.15	—	C, US
	3600	284TS	LM80075	C/A	3377	CCF2P25TS61YAP5	384	230/460	59.0	91.0	1.15	24.89	C, US
	1800	284T	LM80076	C/A	2699	CCF4P25T62YAP5	440	200/400	—	92.4	1.15	—	C, US
	1800	284T	LM80077	C/A	2699	CCF4P25T61YAP5	440	230/460	61.0	92.4	1.15	26.27	C, US

▼ LM Numbers are Lincoln Models

* Full load Amps at lowest listed voltage

C/A - Check Availability

Specifications are subject to change without notice

♥ Note listing on inside back flap

Continued On Next Page

View On-line Technical Information



Automotive
Duty Motors

Pump
Motors

Washguard
Motors

Agricultural
Motors

HVAC / Fan
Motors

Special Voltage
Motors

Definite
Purpose Motors

Brake Motors

IEC Motors

Pump Motors

Lincoln Fire Pump Motors - TEFC - Rigid Base

Three Phase - TEFC - Rigid Base

HP	SYN RPM 60 Hz	NEMA Frame	▼ Catalog Number	Stock	List Price	Model Number	App. Wgt. (lbs)	Voltage	* F. L. Amps	% F.L. Eff.	Service Factor	"C" Dim. (Inches)	♥Notes
30	3600	286TS	LM80078	C/A	4008	CCF2P30TS62YAP5	428	200/400	—	91.0	1.15	—	C, US
	3600	286TS	LM80079	C/A	4008	CCF2P30TS61YAP5	428	230/460	—	91.0	1.15	—	C, US
	1800	286T	LM80080	C/A	3227	CCF4P30T62YAP5	494	200/400	—	92.4	1.15	—	C, US
	1800	286T	LM80081	C/A	3227	CCF4P30T61YAP5	494	230/460	72.0	92.4	1.15	27.84	C, US
40	3600	324TS	LM80084	C/A	5612	CCF2P40TS62YAP5	520	200/400	—	91.7	1.15	—	C, US
	3600	324TS	LM80085	✓	5612	CCF2P40TS61YAP5	520	230/460	92.0	91.7	1.15	27.47	C, US
	1800	324TS	LM80183	C/A	4726	CCF4P40TS62YAP5	575	200/400	—	93.0	1.15	—	C, US
	1800	324TS	LM80184	C/A	4726	CCF4P40TS61YAP5	575	230/460	—	93.0	1.15	—	C, US
	1800	324T	LM80027	C/A	4726	CCF4P40T62YAP5	575	200/400	—	93.0	1.15	—	C, US
	1800	324T	LM80086	✓	4726	CCF4P40T61YAP5	575	230/460	100.0	93.0	1.15	28.97	C, US
50	3600	326TS	LM80028	C/A	6552	CCF2P50TS62YAP5	540	200/400	—	93.0	1.15	—	C, US
	3600	326TS	LM80087	✓	6552	CCF2P50TS61YAP5	540	230/460	112.0	93.0	1.15	28.97	C, US
	1800	326TS	LM80186	C/A	5307	CCF4P50TS62YAP5	675	200/400	—	93.6	1.15	—	C, US
	1800	326TS	LM80187	C/A	5307	CCF4P50TS61YAP5	675	230/460	122.0	93.6	1.15	28.87	C, US
	1800	326T	LM80029	C/A	5307	CCF4P50T62YAP5	675	200/400	140.0	93.6	1.15	30.37	C, US
	1800	326T	LM80088	✓	5307	CCF4P50T61YAP5	675	230/460	122.0	93.6	1.15	31.87	C, US
60	3600	364TS	LM80030	C/A	7896	CCF2P60TS62YAP5	875	200/400	—	93.0	1.15	—	C, US
	3600	364TS	LM80089	✓	7896	CCF2P60TS61YAP5	875	230/460	138.0	93.0	1.15	29.38	C, US
	1800	364TS	LM80188	C/A	7317	CCF4P60TS62YAP5	975	200/400	—	93.6	1.15	—	C, US
	1800	364TS	LM80185	C/A	7317	CCF4P60TS61YAP5	975	230/460	142.0	93.6	1.15	29.38	C, US
	1800	364T	LM80031	C/A	7317	CCF4P60T62YAP5	975	200/400	—	93.6	1.15	—	C, US
	1800	364T	LM80090	✓	7317	CCF4P60T61YAP5	975	230/460	142.0	93.6	1.15	31.50	C, US
75	3600	365TS	LM80032	C/A	9403	CCF2P75TS62YAP5	1000	200/400	—	93.6	1.15	—	C, US
	3600	365TS	LM80091	✓	9403	CCF2P75TS61YAP5	1000	230/460	172.0	93.6	1.15	30.38	C, US
	1800	365TS	LM80189	C/A	9228	CCF4P75TS62YAP5	1025	200/400	—	94.1	1.15	—	C, US
	1800	365TS	LM80190	C/A	9228	CCF4P75TS61YAP5	1025	230/460	176.0	94.1	1.15	30.38	C, US
	1800	365T	LM80033	C/A	9228	CCF4P75T62YAP5	1025	200/400	—	94.1	1.15	—	C, US
	1800	365T	LM80092	✓	9228	CCF4P75T61YAP5	1025	230/460	176.0	94.1	1.15	32.50	C, US
100	3600	405TS	LM80034	C/A	12865	CCF2P100TS62YAP5	1239	200/400	—	94.1	1.15	—	C, US
	3600	405TS	LM80093	✓	12865	CCF2P100TS61YAP5	1239	230/460	224.0	94.1	1.15	34.12	C, US
	1800	405TS	LM80191	C/A	11150	CCF4P100TS62YAP5	1267	200/400	172.0	94.5	1.15	30.38	C, US
	1800	405TS	LM80192	C/A	11150	CCF4P100TS61YAP5	1267	230/460	224.0	94.5	1.15	32.62	C, US
	1800	405T	LM80035	C/A	11150	CCF4P100T62YAP5	1267	200/400	—	94.5	1.15	—	C, US
	1800	405T	LM80094	✓	11150	CCF4P100T61YAP5	1267	230/460	224.0	94.5	1.15	37.12	C, US
125	3600	444TS	LM80036	C/A	15669	CCF2P125TS6011PYAP5	1750	400	—	94.5	1.15	—	C, US
	3600	444TS	LM80095	✓	15669	CCF2P125TS64PYAP5	1750	460	—	94.5	1.15	—	C, US
	1800	444TS	LM80193	C/A	14903	CCF4P125TS6011PYAP5	1805	400	—	94.5	1.15	—	C, US
	1800	444TS	LM80194	C/A	14903	CCF4P125TS64PYAP5	1805	460	142.0	94.5	1.15	37.60	C, US
	1800	444T	LM80037	C/A	14903	CCF4P125T6011PYAP5	1805	400	—	94.5	1.15	—	C, US
	1800	444T	LM80096	✓	14903	CCF4P125T64PYAP5	1805	460	145.0	94.5	1.15	43.35	C, US

▼ LM Numbers are Lincoln Models

♥ Note listing on inside back flap

* Full load Amps at lowest listed voltage

Continued On Next Page

C/A - Check Availability

Specifications are subject to change without notice



View On-line Technical Information



Three Phase - TEFC - Rigid Base

HP	SYN RPM 60 Hz	NEMA Frame	▼ Catalog Number	Stock	List Price	Model Number	App. Wgt. (lbs)	Voltage	* F. L. Amps	% F.L. Eff.	Service Factor	"C" Dim. (Inches)	♥Notes
150	1800	445TS	LM80195	C/A	17286	CCF4P150TS6011PYAP5	2116	400	—	95.0	1.15	—	C, US
	1800	445TS	LM80196	C/A	17286	CCF4P150TS64PYAP5	2116	460	170.0	95.0	1.15	39.60	C, US
	1800	445T	LM80039	C/A	17286	CCF4P150T6011PYAP5	2116	400	—	95.0	1.15	—	C, US
	1800	445T	LM80098	√	17286	CCF4P150T64PYAP5	2116	460	170.0	95.0	1.15	43.35	C, US
200	1800	445TS	LM80197	C/A	21378	CCF4P200TS6011PYAP5	2311	400	—	95.4	1.15	—	C, US
	1800	445TS	LM80198	C/A	21378	CCF4P200TS64PYAP5	2311	460	—	95.4	1.15	—	C, US
	1800	445T	LM80041	C/A	21378	CCF4P200T6011PYAP5	2311	400	—	95.4	1.15	—	C, US
	1800	445T	LM80100	√	21378	CCF4P200T64PYAP5	2311	460	224.0	95.4	1.15	43.35	C, US
250	1800	449TS	LM80199	C/A	25517	CC449F4P250TS6011PYAP5	2600	400	—	93.0	1.15	—	C, US
	1800	449TS	LM80200	C/A	25517	CC449F4P250TS64PYAP5	2600	460	326.0	93.0	1.15	48.09	C, US
	1800	449T	LM80043	C/A	25517	CC449F4P250T6011PYAP5	2600	400	—	95.4	1.15	—	C, US
	1800	449T	LM80102	√	25517	CC449F4P250T64PYAP5	2600	460	290.0	95.4	1.15	51.85	C, US
300	1800	449TS	LM80201	C/A	26678	CCF4P300TS6011PYAP5	3041	400	374.0	93.0	1.15	48.09	C, US
	1800	449TS	LM80202	C/A	26678	CCF4P300TS64PYAP5	3041	460	335.0	93.0	1.15	48.09	C, US
	1800	449T	LM80045	C/A	26678	CCF4P300T6011PYAP5	3041	400	385.0	95.4	1.15	51.86	C, US
	1800	449T	LM80018	√	26678	CCF4P300T64PYAP5	3041	460	335.0	95.4	1.15	51.86	C, US
350	1800	449TS	LM80203	C/A	27630	CCF4P350TS6011PYAP5	3202	400	—	93.0	1.15	—	C, US
	1800	449TS	LM80204	C/A	27630	CCF4P350TS64PYAP5	3202	460	400.0	93.0	1.15	48.09	C, US
	1800	449T	LM80047	C/A	27630	CCF4P350T6011PYAP5	3202	400	—	95.4	1.15	—	C, US
	1800	449T	LM80020	√	27630	CCF4P350T64PYAP5	3202	460	400.0	95.4	1.15	51.88	C, US
400	1800	5011L	LM80049	C/A	57320	CC5011F4P400L6011PYAP5	5500	400	—	95.8	1.15	—	C, US
	1800	5011L	LM80022	√	57320	CC5011F4P400L64PYAP5	5500	460	448.0	95.8	1.15	51.85	C, US
450	1800	5011L	LM80082	C/A	58924	CC5011F4P450L6011PYAP5	5500	400	—	95.8	1.15	—	C, US
	1800	5011L	LM80083	√	58924	CC5011F4P450L64PYAP5	5500	460	495.0	95.8	1.15	70.94	C, US

▼ LM Numbers are Lincoln Models

♥ Note listing on inside back flap

* Full load Amps at 400 or 460 Volts

C/A - Check Availability

Specifications are subject to change without notice

Automotive
Duty Motors

Pump
Motors

Washguard
Motors

Agricultural
Motors

HVAC / Fan
Motors

Special Voltage
Motors

Definite
Purpose Motors

Brake Motors

IEC Motors

View On-line Technical Information



Washguard Motors

Automotive
Duty Motors

Pump
Motors

Washguard
Motors

Agricultural
Duty Motors

HVAC / Fan
Motors

Special Voltage
Motors

Definite
Purpose Motors

Brake Motors

IEC Motors

- USDA-approved epoxy painted motors
- Stainless steel motors
- Encapsulated stainless steel motors available
- NEMA and IEC flange motors
- Three phase, single phase and DC washdown duty motors
- AC and DC washdown gearmotors
- Rigid base and C face mount types
- BISSC approved designs
- Forsheda shaft seals and Protech bearing isolators used to seal motor shafts
- 3-year warranty on encapsulated and Premium efficient models
- Washdown brakemotors and pump motors available
- UL recognized and CSA certified

Applications:

Designed to meet the demanding washdown conditions that you may find in food processing plants, chemical processing, pharmaceutical plants and the beverage and brewing industries.





Premium StainlessDuck

Maximum service in critically clean or corrosive environments



- All exterior components of 300 series stainless steel
- Endshields o-ring sealed to frame
- IEEE 841 severe-duty features standard
- Meets IP56 enclosure protection
- AC, DC and IEC designs

SST StainlessDuck

Stainless Steel Tough for demanding washdown applications



- All exterior components of 300 series stainless steel, including motor frame, endshield and conduit box castings
- Moisture resistant sealant between frame and endbells
- Full-fact nameplate is laser-etched on the motor frame
- Four locations for T-drains provided on each endshield
- Meets IP55 enclosure protection

StainlessDuck

Superior, extended life in severe environments



- Paint-free exterior—stainless frame and conduit box lid, specially processed endshields and conduit box housing
- Etched stainless steel nameplate
- Meets IP55 enclosure protection
- Three phase motors are suitable for use on VFDs

WhiteDuck

Enhanced performance in wet, humid areas



- Our original moisture-shedding “duck” motor
- USDA-approved white epoxy finish
- Stainless steel shaft, conduit box cover, nameplate, fan guard
- Four endshield drains
- Meets IP55 enclosure protection

ExtremeDuck

Revolutionary Designed Stainless Steel Motors are built to be the last Stainless Steel Washdown motors you will ever need!



- Total winding encapsulation using an Epoxy Resin
- All exterior components are 300-Series stainless steel
- Protech Bearing isolator used for the output shaft seal
- Pre-lubricated double-sealed bearings
- Full fact nameplate is laser etched



Washguard Motors

WASHGUARD MOTORS ARE BUILT TO HANDLE HIGH-PRESSURE WASHDOWNS!*

Stainless-steel or white polypropylene fan guard on all WASHGUARD frames.

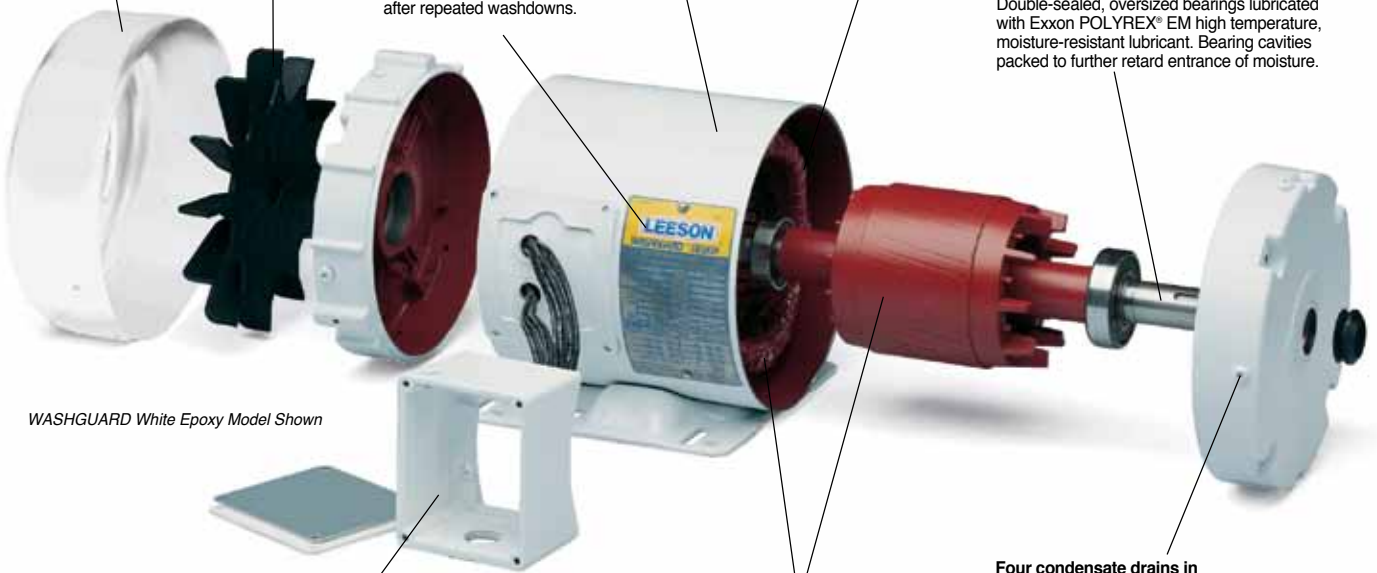
Composite fan is chemically-inert and static-free. Fan is positively positioned on shaft on TEFC designs only.

USDA-approved, white epoxy finish for superior protection and resistance to caustic cleaning solutions.

Encapsulated starting switch (single-phase WASHGUARD motors) uses a patented, field-proven design that is immune to moisture, shock and vibration. No moving parts or exposed contacts to become corroded or inoperable.

Stainless-steel, "full-fact" nameplate includes information on motor efficiency and connections. Readable even after repeated washdowns.

Moisture-resistant shaft system includes 303 stainless-steel shaft and lubricated, spring-loaded contact seals in each endshield. Patented V-ring Forsheda seal on shaft end to deflect water (see inset). Double-sealed, oversized bearings lubricated with Exxon POLYREX® EM high temperature, moisture-resistant lubricant. Bearing cavities packed to further retard entrance of moisture.

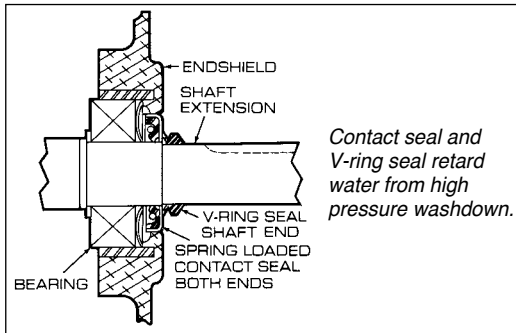


WASHGUARD White Epoxy Model Shown

Cast, oversized conduit box with tough, high-temperature nitrile gaskets and stainless-steel cover and hardware. Oversized design with threaded entrance. All machined fits are sealed and nylon gaskets are used under bolt heads.

Interior coatings protect against moisture and corrosion. Frame, base, endshields, rotor, and interior components are protected by enamel and polyester compounds of outstanding adhesion and resistance to moisture, acids, alkalis, and oils. High temperature, moisture resistant IRIS insulation system assures long life on inverter service. Windings are immersed and cured in polyester insulating compound.

Four condensate drains in each endshield (at three, six, nine, and twelve o'clock) purge condensate and water which may enter the motor.



* Also excellent for applications requiring a motor that is "tropicalized"!



- Automotive Duty Motors
- Pump Motors
- Washguard Motors
- Agricultural Duty Motors
- HVAC / Fan Motors
- Special Voltage Motors
- Definite Purpose Motors
- Brake Motors
- IEC Motors



Washguard Motors

Single Phase - White Epoxy Painted

Single Phase - TEFC - Rigid Base - Featuring Electronic Solid State Encapsulated Switch

HP	SYN RPM 60 Hz	NEMA Frame	Catalog Number	Stock	List Price	Model Number	App. Wgt. (lbs)	Voltage	Over-load Prot.	F. L. Amps @ 230 V	Service Factor	"C" Dim. (Inches)	♥Notes
1/2	1800	56	112431.00	√	631	C6C17WB1	24	115/208-230	None	4.4	1.15	10.81	S, US
3/4	1800	56	112432.00	√	742	C6C17WB2	31	115/208-230	None	5.4	1.15	11.31	S, US
1	1800	56	112626.00	√	851	C6C17WB3	33	115/208-230	None	6.4	1.15	11.81	S, US
1800	143T	120589.00	√	851	N143C17WB1	34	115/208-230	None	6.4	1.15	12.25	S, US	
1 1/2	1800	145T	120590.00	√	1084	C145C17WB1	47	115/208-230	None	9.5	1.15	13.75	S, US
2	1800	182T	131571.00	√	1571	C182C17WB3	60	115/208-230	None	12.6	1.15	13.46	S, MX

Specifications are subject to change without notice

♥ Note listing on inside back flap

Single Phase - TEFC - C Face Less Base - Featuring Electronic Solid State Encapsulated Switch

HP	SYN RPM 60 Hz	NEMA Frame	Catalog Number	Stock	List Price	Model Number	App. Wgt. (lbs)	Voltage	Over-load Prot.	F. L. Amps @ 230 V	Service Factor	"C" Dim. (Inches)	♥Notes
1/3	3600	56C	113580.00	√	623	C6C34WK2	27	115/208-230	None	2.6	1.15	10.69	S, US
1800	56C	112526.00	√	631	C6C17WK2	28	115/208-230	None	3.2	1.15	10.69	S, US	
1/2	3600	56C	113581.00	√	631	C6C34WK3	25	115/208-230	None	3.6	1.15	10.69	S, US
1800	56C	112527.00	√	654	C6C17WK3	28	115/208-230	None	4.4	1.15	11.19	S, US	
3/4	3600	56C	113582.00	√	640	C6C34WK4	31	115/208-230	None	5.0	1.15	11.69	S, US
1800	56C	112528.00	√	741	C6C17WK4	30	115/208-230	None	5.4	1.15	11.69	S, US	
1	3600	56C	113583.00	√	642	C6C34WK6	31	115/208-230	None	6.0	1.15	12.19	S, US
1800	56C	112529.00	√	853	C6C17WK5	33	115/208-230	None	6.4	1.15	12.19	S, US	
1 1/2	3600	56C	113584.00	√	940	C6C34WK5	36	115/208-230	None	8.5	1.15	12.69	S, US
1800	56HC	113300.00	√	1088	C6C17WK6	45	115/208-230	None	9.5	1.15	13.69	S, US	
2	3600	56HC	114637.00	√	1084	C6C34WK9	43	115/208-230	None	10.0	1.0	13.69	S, US

Specifications are subject to change without notice

♥ Note listing on inside back flap



Single Phase - TEFC - C Face With Base - Featuring Electronic Solid State Encapsulated Switch

HP	SYN RPM 60 Hz	NEMA Frame	Catalog Number	Stock	List Price	Model Number	App. Wgt. (lbs)	Voltage	Over-load Prot.	F. L. Amps @ 230 V	Service Factor	"C" Dim. (Inches)	♥Notes
1/3	3600	56C	114310.00	√	619	C6C34WC2	25	115/208-230	None	2.6	1.15	10.69	S, US
1800	56C	114311.00	√	628	C6C17WC2	27	115/208-230	None	3.2	1.15	10.69	S, US	
1/2	3600	56C	114312.00	√	628	C6C34WC3	25	115/208-230	None	3.6	1.15	10.69	S, US
1800	56C	114313.00	√	645	C6C17WC3	29	115/208-230	None	4.4	1.15	11.19	S, US	
3/4	3600	56C	114314.00	√	631	C6C34WC4	31	115/208-230	None	5.0	1.15	11.69	S, US
1800	56C	114315.00	√	745	C6C17WC4	31	115/208-230	None	5.4	1.15	11.69	S, US	
1	3600	56C	114316.00	√	635	C6C34WC5	29	115/208-230	None	6.0	1.15	12.19	S, US
1800	56C	114317.00	√	845	C6C17WC5	34	115/208-230	None	6.4	1.15	12.19	S, US	
1 1/2	3600	56C	114318.00	√	939	C6C34WC6	36	115/208-230	None	8.5	1.15	12.69	S, US
1800	56C	114319.00	√	1084	C6C17WC6	43	115/208-230	None	9.5	1.15	13.69	S, US	

Specifications are subject to change without notice

♥ Note listing on inside back flap

View On-line Technical Information



Automotive Duty Motors

Pump Motors

Washguard Motors

Agricultural Motors

HVAC / Fan Motors

Special Voltage Motors

Definite Purpose Motors

Brake Motors

IEC Motors

Washguard Motors

White Epoxy Painted - Three Phase



Three Phase - TENV and TEFC C Face Less Base

HP	SYN RPM 60 Hz	NEMA Frame	Catalog Number	Stock	List Price	Model Number	App. Wgt. (lbs)	Voltage	F. L. Amps @ 230 V	% F.L. Eff.	Service Factor	"C" Dim. (Inches)	Inverter Speed Range	Notes
1/4	1800	56C	113649.00	✓	604	C6T17VC5	19	208-230/460	1.1	68.0	1.15	9.56	1000 : 1	S, US, 12
1/3	3600	56C	116640.00	✓	624	C6T34VC16	19	208-230/460	1.1	77.0	1.15	10.08	1000 : 1	S, US, 12
	1800	56C	113954.00	✓	642	C6T17VC6	19	208-230/460	1.3	72.0	1.15	9.56	1000 : 1	S, US, 12
	1800	56C	116642.00	✓	642	C6T17WC23	19	208-230/460	1.7	68.0	1.15	10.69	10 : 1	S, US, 13
1/2	3600	56C	116643.00	✓	644	C6T34VC17	22	208-230/460	1.6	82.5	1.15	10.06	1000 : 1	S, US, 12
	1800	56C	113473.00	✓	662	C6T17VC4	22	208-230/460	1.8	78.5	1.15	10.06	1000 : 1	S, US, 12
	1800	56C	116644.00	✓	662	C6T17WC24	22	208-230/460	2.0	74.0	1.15	11.19	10 : 1	S, US, 13
3/4	3600	56C	113022.00	✓	670	C6T34VC1	23	208-230/460	2.4	84.0	1.15	11.06	1000 : 1	S, US, 12
	1800	56C	113019.00	✓	766	C6T17VC1	28	208-230/460	2.5	80.0	1.15	10.56	1000 : 1	S, US, 12
	1800	56C	116645.00	✓	766	C6T17FC204	28	208-230/460	2.8	77.0	1.15	11.69	10 : 1	S, US, 13
1	3600	56C	113023.00	✓	781	C6T34VC2	35	208-230/460	2.6	85.5	1.15	11.56	1000 : 1	S, US, 12
	1800	56C	113020.00	✓	799	C6T17VC2	32	208-230/460	3.2	80.0	1.15	11.56	1000 : 1	S, US, 12
	1800	56C	116646.00	✓	799	C6T17WC25	32	208-230/460	3.8	77.0	1.15	11.69	10 : 1	S, US, 13
	1800	143TC	120760.00	✓	799	C143T17VC1	35	208-230/460	3.2	80.0	1.15	11.75	1000 : 1	S, US, 12
	1800	143TC	G121652.00	✓	819	C143T17WC8	33	208-230/460	3.1	82.5	1.15	13.25	10 : 1	S, US, 13
1 1/2	3600	56C	113024.00	✓	828	C6T34VC3	42	208-230/460	3.8	84.0	1.15	12.56	1000 : 1	S, US, 12
	1800	56C	113021.00	✓	833	C6T17VC3	44	208-230/460	4.2	84.0	1.15	13.06	1000 : 1	S, US, 12
	1800	56C	116647.00	✓	833	C6T17WC26	44	208-230/460	5.0	78.5	1.15	12.69	10 : 1	S, US, 13
	1800	145TC	120761.00	✓	833	C145T17VC1	47	208-230/460	4.2	84.0	1.15	13.25	1000 : 1	S, US, 12
	1800	145TC	G121655.00	✓	855	C145T17WC28	45	208-230/460	4.4	84.0	1.15	13.25	10 : 1	S, US, 13
2	3600	56C	113593.00	✓	947	C6T34VC5	47	208-230/460	5.0	84.0	1.0	13.06	1000 : 1	S, US, 12
	3600	145TC	121040.00	✓	947	C145T34VC1	45	208-230/460	5.0	84.0	1.15	13.12	1000 : 1	S, US, 12
	1800	56C	114616.00	✓	972	C6T17WC12	48	208-230/460	6.2	81.5	1.15	12.69	10 : 1	S, US, 13
	1800	145TC	G120762.00	✓	1057	C145T17WC27	47	208-230/460	5.6	84.0	1.15	13.75	10 : 1	S, US, 13
3	3600	56C	115976.00	✓	1156	C6T34WC7	39	208-230/460	7.6	84.0	1.15	13.19	10 : 1	S, US, 13
	3600	145TC	G120987.00	✓	1248	C145T34WC15	44	208-230/460	7.6	85.5	1.15	13.75	10 : 1	S, US
	1800	182TC	G131596.00	✓	1392	C182T17WC9	81	208-230/460	7.6	87.5	1.15	14.47	10 : 1	S, MX, 13
5	3600	184TC	G131595.00	✓	1742	C184T34WC7A	75	208-230/460	12.0	87.5	1.15	14.47	10 : 1	S, MX, 13
	1800	184TC	G131597.00	✓	1571	C184T17WC8	95	208-230/460	13.0	87.5	1.15	14.97	10 : 1	S, MX, 13
7 1/2	3600	S213TC	G131594.00	✓	2160	C184T34WC6	102	208-230/460	16.8	88.5	1.0	17.47	10 : 1	S, MX, 13
	1800	213TC	G140467.00	✓	1992	C213T17WC3	145	208-230/460	20.4	89.5	1.15	17.71	10 : 1	S, MX, 13
10	3600	215TC	G140737.00	✓	2566	C215T34WC2	170	208-230/460	24.0	89.5	1.15	20.57	10 : 1	S, US, 13
	1800	215TC	G140465.00	✓	2264	C215T17WC3	180	208-230/460	26.0	89.5	1.15	18.71	10 : 1	S, MX, 13
15	3600	215TC	G140738.00	✓	3159	C215T34WC4	140	208-230/460	36.0	90.2	1.15	20.57	10 : 1	S, US, 13

Specifications are subject to change without notice

♥ Note listing on inside back flap



View On-line Technical Information



Washguard Motors

White Epoxy Painted - Three Phase

Three Phase - TEFC - Rigid Base

HP	SYN RPM 60 Hz	NEMA Frame	Catalog Number	Stock	List Price	Model Number	App. Wgt. (lbs)	Voltage	F. L. Amps @ 230 V	% F.L. Eff.	Service Factor	"C" Dim. (Inches)	Inverter Speed Range	♥Notes
1/2	1800	56	112427.00	√	650	C6T17WB6	24	208-230/460	2.0	74.0	1.15	10.81	10 : 1	S, US
3/4	1800	56	112428.00	√	678	C6T17WB7	27	208-230/460	2.8	77.0	1.15	10.81	10 : 1	S, US
1	1800	56	112627.00	√	713	C6T17WB8	26	208-230/460	3.8	77.0	1.15	11.31	10 : 1	S, US
	1800	143T	121865.00	√	897	C143T17WB4	35	208-230/460	3.1	85.5	1.15	12.75	10 : 1	S, US
1 1/2	1800	145T	121869.00	√	899	C145T17WB23	51	208-230/460	4.4	86.5	1.15	12.75	10 : 1	S, US
2	1800	145T	121866.00	√	1118	C145T17WB22	46	208-230/460	5.6	86.5	1.15	13.75	10 : 1	S, US
3	3600	182T	132203.00	√	1530	CZ182T34WK2	85	208-230/460	7.6	86.5	1.25	14.27	10 : 1	S, MX
	1800	56HZ	115751.00	√	995	C6T17FB113	45	208-230/460	8.6	82.5	1.00	14.25	10 : 1	S, US, 12
	1800	182T	132196.00	√	1501	C182T17WB10	69	208-230/460	8.2	89.5	1.15	13.96	10 : 1	S, MX
5	3600	184T	132202.00	√	1717	C184T34WB5	75	208-230/460	12.0	88.5	1.25	14.46	10 : 1	S, MX
	1800	184T	132197.00	√	1717	C184T17WB8	85	208-230/460	13.0	89.5	1.15	14.96	10 : 1	S, MX
7 1/2	3600	184T	132306.00	√	2142	C184T34WB6A	87	208-230/460	16.8	89.5	1.15	15.96	10 : 1	S, MX
	3600	S213T	132204.00	√	2142	C184T34WB6	87	208-230/460	16.8	89.5	1.15	16.59	10 : 1	S, MX
	1800	213T	140819.00	√	2179	C213T17WB6	131	208-230/460	20.4	91.7	1.25	17.21	10 : 1	S, MX
10	1800	215T	140820.00	√	2607	C215T17WB5	165	208-230/460	26.0	91.7	1.25	18.71	10 : 1	S, MX

Green items are Premium Efficient

♥ Note listing on inside back flap

Specifications are subject to change without notice

Automotive
Duty Motors

Pump
Motors

Washguard
Motors

Agricultural
Motors

HVAC / Fan
Motors

Special Voltage
Motors

Definite
Purpose Motors

Brake Motors

IEC Motors

View On-line Technical Information



Washguard Motors

White Epoxy Painted - Three Phase



Three Phase - TENV and TEFC C Face With Base

HP	SYN RPM 60 Hz	NEMA Frame	Catalog Number	Stock	List Price	Model Number	App. Wgt. (lbs)	Voltage	F. L. Amps @ 230 V	% F.L. Eff.	Service Factor	"C" Dim. (Inches)	Inverter Speed Range	♥Notes
1/4	1800	56C	112523.00	✓	608	C6T17WK8	21	208-230/460	1.1	67.0	1.15	10.69	10 : 1	S, US, 13
1/3	3600	56C	116641.00	✓	644	C6T34VK15	22	208-230/460	1.1	77.0	1.15	10.08	1000 : 1	S, US, 12
	1800	56C	112547.00	✓	669	C6T17WK9	22	208-230/460	1.7	68.0	1.15	10.69	10 : 1	S, US, 13
1/2	3600	56C	113588.00	✓	606	C6T34VK3	26	208-230/460	1.5	82.5	1.15	10.58	1000 : 1	S, US, 12
	1800	56C	113586.00	✓	678	C6T17VK2	23	208-230/460	1.8	78.5	1.15	10.06	1000 : 1	S, US, 12
	1800	56C	112429.00	✓	678	C6T17WK1	22	208-230/460	2.0	74.0	1.15	11.19	10 : 1	S, US, 13
	1200	56C	115743.00	✓	849	C6T11VK1	24	208-230/460	2.3	77.0	1.15	11.56	1000 : 1	S, US, 12
3/4	3600	56C	113589.00	✓	665	C6T34VK2	24	208-230/460	2.4	84.0	1.15	11.08	1000 : 1	S, US, 12
	1800	56C	113587.00	✓	786	C6T17VK1	30	208-230/460	2.5	80.0	1.15	10.56	1000 : 1	S, US, 12
	1800	56C	112430.00	✓	786	C6T17WK2	26	208-230/460	2.8	77.0	1.15	11.19	10 : 1	S, US, 13
	1200	56HC	115744.00	✓	923	C6T11VK2	25	208-230/460	3.0	78.5	1.15	13.06	1000 : 1	S, US, 12
1	3600	56C	113590.00	✓	779	C6T34VK4	34	208-230/460	2.6	85.5	1.15	11.58	1000 : 1	S, US, 12
	1800	56C	112524.00	✓	819	C6T17WK10	27	208-230/460	3.8	77.0	1.15	11.69	10 : 1	S, US, 13
	1800	143TC	121867.00	✓	943	C143T17WK11	37	208-230/460	3.2	85.5	1.15	13.25	10 : 1	S, US, 13
	1200	56HC	115745.00	✓	987	C6T11WK3	35	208-230/460	4.0	77.0	1.15	13.08	10 : 1	S, US, 13
1 1/2	3600	56C	113591.00	✓	859	C6T34VK5	44	208-230/460	3.8	84.0	1.15	12.56	1000 : 1	S, US, 12
	1800	145TC	121871.00	✓	983	C145T17WK31	53	208-230/460	4.8	86.5	1.15	13.25	10 : 1	S, US, 13
	1800	56C	112643.00	✓	855	C6T17WK11	32	208-230/460	5.0	78.5	1.15	12.19	10 : 1	S, US, 13
	1200	56HC	115746.00	✓	1043	C6T11WK4	31	208-230/460	5.7	77.0	1.15	14.18	10 : 1	S, US, 13
2	3600	56HC	113592.00	✓	955	C6T34VK6	48	208-230/460	5.0	84.0	1.15	13.06	1000 : 1	S, US, 12
	3600	145TC	121039.00	✓	955	C145T34VK1	43	208-230/460	4.8	85.5	1.15	13.12	1000 : 1	S, US, 12
	1800	56C	112644.00	✓	980	C6T17WK12	36	208-230/460	6.2	81.5	1.15	12.69	10 : 1	S, US, 13
	1800	145TC	121868.00	✓	1215	C145T17WK30	49	208-230/460	5.8	86.5	1.15	13.75	10 : 1	S, US, 13
3	3600	145TC	121870.00	✓	1436	C145T34WK28	46	208-230/460	7.6	89.5	1.15	13.75	10 : 1	S, US, 13
	3600	182TC	132199.00	✓	1650	C182T34WK1	80	208-230/460	7.6	86.5	1.25	14.97	10 : 1	S, MX, 13
	1800	182TC	132198.00	✓	1628	C182T17WK13	80	208-230/460	7.8	89.5	1.15	14.47	10 : 1	S, MX, 13
5	3600	184TC	132200.00	✓	2039	C184T34WK10	79	208-230/460	12.0	88.5	1.15	14.47	10 : 1	S, MX, 13
	1800	184TC	132201.00	✓	1838	C184T17WK15	84	208-230/460	12.8	89.5	1.15	14.97	10 : 1	S, MX, 13
7 1/2	3600	184TC	132205.00	✓	2528	C184T34WK17	94	208-230/460	17.6	89.5	1.15	15.97	10 : 1	S, MX, 13
	3600	213TC	141120.00	✓	2586	C213T34WK6	140	208-230/460	17.8	89.5	1.15	17.47	10 : 1	S, MX, 13
	1800	213TC	140822.00	✓	2370	C213T17WK9	135	208-230/460	21.4	91.7	1.25	17.71	10 : 1	S, MX, 13
10	3600	215TC	140823.00	✓	3053	C215T34WK9	129	208-230/460	23.6	90.2	1.15	20.57	10 : 1	S, US, 13
	1800	215TC	140821.00	✓	2694	C215T17WK9	145	208-230/460	26.6	91.7	1.25	18.71	10 : 1	S, MX, 13

Green items are Premium Efficient

♥ Note listing on inside back flap

Specifications are subject to change without notice

Three Phase • 575 Volts

Three Phase - TEFC - C Face With Base

HP	SYN RPM 60 Hz	NEMA Frame	Catalog Number	Stock	List Price	Model Number	App. Wgt. (lbs)	Voltage	F. L. Amps @ 575 V	% F.L. Eff.	Service Factor	"C" Dim. (Inches)	Inverter Speed Range	♥Notes
1/4	1800	56C	112520.00	✓	608	C6T17WK5	24	575	0.44	68.0	1.15	10.69	10 : 1	S, US
1/3	1800	56C	112521.00	✓	629	C6T17WK6	22	575	0.68	68.0	1.15	10.69	10 : 1	S, US
1/2	1800	56C	112483.00	✓	678	C6T17WK3	28	575	0.8	74.0	1.15	10.69	10 : 1	S, US
3/4	1800	56C	112484.00	✓	786	C6T17WK4	24	575	1.12	77.0	1.15	11.19	10 : 1	S, US
1	1800	56C	112522.00	✓	819	C6T17WK7	30	575	1.5	77.0	1.15	11.69	10 : 1	S, US

Specifications are subject to change without notice

♥ Note listing on inside back flap



View On-line Technical Information





Washguard Motors Washdown Duty Pump Motors White Epoxy Painted

Three Phase - TEFC - JM Pump - EPACT Efficient

HP	SYN RPM 60 Hz	NEMA Frame	Catalog Number	Stock	List Price	Model Number	App. Wgt. (lbs)	Voltage	F. L. Amps @ 230 V	% F.L. Eff.	Service Factor	"C" Dim. (Inches)	Inverter Speed Range	♥Notes
1	1800	143JM	G121579.00	✓	1094	C143T17WK16	41	208-230/460	3.1	82.5	1.15	16.25	10 : 1	S, US
1 1/2	3600	143JM	G121580.00	✓	1181	C143T34WK9	33	208-230/460	4.0	82.5	1.15	16.25	10 : 1	S, US
	1800	145JM	G121581.00	✓	1212	C145T17WK38	47	208-230/460	4.4	84.0	1.15	16.25	10 : 1	S, US
2	3600	145JM	G121582.00	✓	1334	C145T34WK22	50	208-230/460	5.2	84.0	1.15	16.25	10 : 1	S, US
	1800	145JM	G121583.00	✓	1251	C145T17WK39	49	208-230/460	5.6	84.0	1.15	16.75	10 : 1	S, US
3	3600	145JM	G121584.00	✓	1431	C145T34WK23	54	208-230/460	7.6	85.5	1.15	16.75	10 : 1	S, US
	1800	182JM	G131967.00	✓	1591	C182T17WK15	79	208-230/460	8.2	87.5	1.15	16.75	10 : 1	S, MX
5	3600	184JM	G131968.00	✓	1899	C184T34WK12	81	208-230/460	12.0	87.5	1.15	16.75	10 : 1	S, MX
	1800	184JM	G131969.00	✓	1722	C184T17WK17	95	208-230/460	13.0	87.5	1.15	17.63	10 : 1	S, MX
7 1/2	3600	184JM	G131970.00	✓	2081	C184T34WK13	110	208-230/460	16.8	88.5	1.15	18.25	10 : 1	S, MX
	1800	213JM	G140733.00	✓	2322	C213T17WK13	135	208-230/460	20.4	89.5	1.15	19.50	10 : 1	S, MX
10	3600	215JM	G140734.00	✓	2861	C215T34WK5	142	208-230/460	24.0	89.5	1.15	22.20	10 : 1	S, US
	1800	215JM	G140735.00	✓	2702	C215T17WK12	150	208-230/460	26.0	89.5	1.15	21.70	10 : 1	S, MX
15	3600	215JM	G140736.00	✓	3270	C215T34WK6	160	208-230/460	36.0	90.2	1.15	22.20	10 : 1	S, US

Specifications are subject to change without notice

♥ Note listing on inside back flap

Washguard Jet Pump Motors

Washdown duty three phase jet pump motors for industrial service. These motors include all of the features of LEESON's White Duck Washguard motors with the addition of a 56J threaded shaft for use on jet pumps. For demanding pump applications in wet, humid, or washdown environments.

Three Phase - TEFC - C Face Less Base - Threaded Shaft

HP	SYN RPM 60 Hz	NEMA Frame	Catalog Number	Stock	List Price	Model Number	App. Wgt. (lbs)	Voltage	F. L. Amps @ 230 V	% F.L. Eff.	Service Factor	"C" Dim. (Inches)	♥Notes
3/4	3600	56J	116774.00	✓	672	C6T34WC14	23	208-230/460	2.4	75.5	1.15	10.81	S, US
1	3600	56J	116775.00	✓	781	C6T34WC15	35	208-230/460	3.2	77.0	1.15	10.81	S, US
1 1/2	3600	56J	116776.00	✓	831	C6T34WC13	42	208-230/460	4.2	81.5	1.15	11.81	S, US
2	3600	56J	116777.00	✓	950	C6T34WC11	47	208-230/460	5.6	82.5	1.15	12.31	S, US
3	3600	56J	116778.00	✓	997	C6T34WC10	49	208-230/460	7.6	84.0	1.15	13.25	S, US

Specifications are subject to change without notice

♥ Note listing on inside back flap

Three Phase - TEFC - C Face With Base - Threaded Shaft

HP	SYN RPM 60 Hz	NEMA Frame	Catalog Number	Stock	List Price	Model Number	App. Wgt. (lbs)	Voltage	F. L. Amps @ 230 V	% F.L. Eff.	Service Factor	"C" Dim. (Inches)	♥Notes
3/4	3600	56J	116779.00	✓	690	C6T34WK12	24	208-230/460	2.4	75.5	1.15	10.81	S, US
1	3600	56J	116780.00	✓	801	C6T34WK13	36	208-230/460	3.2	77.0	1.15	10.81	S, US
1 1/2	3600	56J	116781.00	✓	869	C6T34WK11	43	208-230/460	4.2	81.5	1.15	11.81	S, US
2	3600	56J	116782.00	✓	966	C6T34WK10	48	208-230/460	5.6	82.5	1.15	12.31	S, US
3	3600	56J	116783.00	✓	1029	C6T34WK9	50	208-230/460	7.6	84.0	1.15	13.25	S, US

Specifications are subject to change without notice

♥ Note listing on inside back flap

View On-line Technical Information



Automotive
Duty Motors

Pump
Motors

Washguard
Motors

Agricultural
Motors

HVAC / Fan
Motors

Special Voltage
Motors

Definite
Purpose Motors

Brake Motors

IEC Motors

Washguard Motors

Washdown Duty Brakemotors

White Epoxy Painted



Washguard Brakemotors - TENV/TEFC - C Face With Base

HP	SYN RPM 60 Hz	NEMA Frame	Brake Rating (ft-lbs)	Catalog Number	Stock	List Price	Model Number	App. Wgt. (lbs)	Voltage	F. L. Amps @ 230 V	% F.L. Eff.	Service Factor	"C" Dim. (Inches)	♥Notes
1/3	1800	56C	3	116466.00	√	1335	C6T17VK28	40	208-230/460	1.3	72.0	1.15	14.00	S, US, 12
1/2	1800	56C	3	116467.00	√	1361	C6T17VK30	42	208-230/460	1.8	78.5	1.15	14.50	S, US, 12
3/4	1800	56C	6	116468.00	√	1615	C6T17VK29	44	208-230/460	2.5	80.0	1.15	15.00	S, US, 12
1	1800	56C	6	116469.00	√	1669	C6T17VK27	48	208-230/460	3.2	80.0	1.15	15.50	S, US, 12
	1800	143TC	6	121616.00	√	1669	C143T17VK7	49	208-230/460	3.2	80.0	1.15	16.06	S, US, 12
1 1/2	1800	145TC	10	G121617.00	√	2313	C145T17WK22	50	208-230/460	4.4	84.0	1.15	19.01	S, US, 13
2	1800	145TC	10	G121618.00	√	2399	C145T17WK21	62	208-230/460	5.6	84.0	1.15	19.01	S, US, 13

Specifications are subject to change without notice

♥ Note listing on inside back flap

Washguard Brakemotors - TENV/TEFC - C Face Less Base

HP	SYN RPM 60 Hz	NEMA Frame	Brake Rating (ft-lbs)	Catalog Number	Stock	List Price	Model Number	App. Wgt. (lbs)	Voltage	F. L. Amps @ 230 V	% F.L. Eff.	Service Factor	"C" Dim. (Inches)	♥Notes
1/3	1800	56C	3	116462.00	√	1288	C6T17VC43	39	208-230/460	1.3	72.0	1.15	14.00	S, US, 12
1/2	1800	56C	3	116463.00	√	1320	C6T17VC42	41	208-230/460	1.8	78.5	1.15	14.50	S, US, 12
3/4	1800	56C	6	116464.00	√	1571	C6T17VC44	43	208-230/460	2.5	80.0	1.15	15.00	S, US, 12
1	1800	56C	6	116465.00	√	1627	C6T17VC45	45	208-230/460	3.2	80.0	1.15	15.50	S, US, 12
	1800	143TC	6	121613.00	√	1627	C143T17VC8	46	208-230/460	3.2	80.0	1.15	15.56	S, US, 12
1 1/2	1800	145TC	10	121614.00	√	2255	C145T17WC20	49	208-230/460	5.0	78.5	1.15	18.01	S, US, 13
2	1800	145TC	10	121615.00	√	2319	C145T17WC19	61	208-230/460	6.2	81.5	1.15	18.51	S, US, 13

Specifications are subject to change without notice

♥ Note listing on inside back flap



View On-line Technical Information

Washguard Motors

Washdown Duty Brakemotors

White Epoxy Painted

Automotive
Duty Motors

Washguard Coupler Brakes

Larger coupler brakes on page 119.

Solid die-cast aluminum Stearns NEMA 4X coupler brake converts any TEFC or TENV 56C thru 145TC motor to a fail-safe brakemotor by mounting between the C-face motor and driven equipment. Food safe white epoxy finish. BISSC Certified. Adds 5" to the overall length of 56C thru 145TC WASHGUARD TEFC or TENV motors. Includes all mounting components.



Pump
Motors

For Both Single and Three Phase Motors

Cat. No. 115/208-230V Single Phase	List Price	Cat. No. 208-230/460V Three Phase	List Price	Cat. No. 575V Three Phase	List Price	Brake Rating (ft-lbs)	Max. HP @ 1725 rpm	Mounts to NEMA Frame	Coupler Brake Output Shaft and Face	App. Wt. (lbs.)
175566.00	1179	175567.00	1179	175568.00	1179	3	1	56C	58", 56C	13
175572.00	1269	175573.00	1269	175574.00	1269	6	2	56C/143-5TC	58", 56C	14

Washguard
Motors

Specifications are subject to change without notice

Agricultural
Motors

Washguard Brakekits™

Kit of components including a Stearns NEMA 4X brake to convert 56 thru 145T frame stock TEFC only motors to fail-safe brakemotors. Food safe white epoxy finish. BISSC Certified. Adds 5 1/8" to the overall length of 56 thru 145T WASHGUARD TEFC motors.



HVAC / Fan
Motors

For 230/460V Three Phase and 230V Single Phase Motors

Brake Rating (ft-lbs)	Mounts to NEMA Frame	Max. HP @ 1725rpm	Cat. No. 208-230/460 V Brake Coil Voltage	List Price	(lbs.)
3	56/143-5T	1	175771.00*	1311	24
6	56/143-5T	2	175772.00*	1382	36
10	56/143-5T	3	175773.00*	1456	43

* For 56/145 frame motors having a "B" for the suffix letter for the date code and having a face mount fan guard.

Specifications are subject to change without notice

Special Voltage
Motors

Definite
Purpose Motors

Brake Motors

IEC Motors

View On-line Technical Information



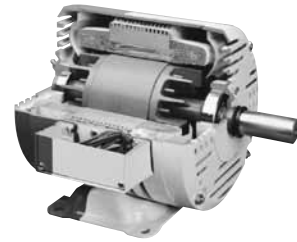
Washguard Motors

Lincoln Wash -Thru™ Motors

230/460 Volts - Three Phase - Foot Mount & C Face

Features:

- Pressure encapsulation technology - winding endcoils totally encapsulated
- 303 Stainless shaft
- Double sealed bearings
- FDA approved white finish coat
- Stainless laser etched nameplate



Applications:

Exceptional choice for demanding uses in poultry, seafood, meat and other food processing plants. Other applications include areas where a high degree of dust, moisture, and vibration exist.

Three Phase - Drip-Proof - Rigid Base - Encapsulated

HP	SYN RPM 60 Hz	NEMA Frame	▼ Catalog Number	Stock	List Price	Model Number	App. Wgt. (lbs)	Voltage	F. L. Amps @ 230 V	% F.L. Eff.	Service Factor	"C" Dim. (Inches)	♥ Notes
1/2	3600	56	LM21031	C/A	943	SREW2S0.5T61	30	230/460	2.4	70.0	1.0	—	S, US
	1800	56	LM20655	C/A	1016	SREW4S0.5T61	26	230/460	—	68.0	1.0	10.44	S, US
	1200	56	LM25419	C/A	1261	SREW6S0.5T61	28	230/460	—	70.0	1.0	—	S, US
3/4	3600	56	LM21034	C/A	1000	SREW2S0.75T61	30	230/460	—	74.0	1.0	—	S, US
	1800	56	LM20658	C/A	1054	SREW4S0.75T61	24	230/460	—	75.5	1.0	—	S, US
	1200	56	LM22163	C/A	1292	SREW6S0.75T61	33	230/460	3.0	77.5	1.0	10.44	S, US
1	3600	56	LM21037	C/A	1087	SREW2S1T61	30	230/460	3.2	78.5	1.0	11.44	S, US
	1800	56	LM21061	C/A	1103	SREW4S1T61	30	230/460	3.2	77.0	1.0	10.44	S, US
	1800	143T	LM20667	C/A	1103	SREW4S1T61	35	230/460	3.6	77.0	1.0	10.99	S, US
	1200	56H	LM25420	C/A	1424	SREW6S1T61	34	230/460	4.2	72.0	1.0	11.44	S, US
	1200	145T	LM24280	C/A	1425	SREW6S1T61	34	230/460	4.2	75.5	1.0	11.49	S, US
1 1/2	3600	56	LM21040	C/A	1160	SREW2S1.5T61	30	230/460	—	78.5	1.0	—	S, US
	3600	143T	LM21046	C/A	1206	SREW2S1.5T61	35	230/460	4.6	78.5	1.0	11.49	S, US
	1800	56H	LM21062	C/A	1150	SREW4S1.5T61	30	230/460	4.8	80.0	1.0	10.94	S, US
	1800	145T	LM20670	C/A	1150	SREW4S1.5T61	35	230/460	4.8	80.0	1.0	10.99	S, US
	1200	182T	LM25421	C/A	2078	SREW6S1.5T61	35	230/460	4.6	81.5	1.0	14.72	S, US
2	3600	56H	LM21043	C/A	1291	SREW2S2T61	34	230/460	—	78.5	1.0	—	S, US
	3600	145T	LM21049	C/A	1344	SREW2S2T61	35	230/460	6.6	82.5	1.0	10.99	S, US
	1800	56H	LM21063	C/A	1410	SREW4S2T61	34	230/460	6.2	81.5	1.0	10.94	S, US
	1800	145T	LM20673	√	1376	SREW4S2T61	35	230/460	6.2	81.5	1.0	11.99	S, US
	1200	184T	LM25422	C/A	2295	SREW6S2T61	70	230/460	6.2	80.0	1.0	16.22	S, US
3	3600	182T	LM21052	C/A	1605	SREW2S3T61	64	230/460	—	81.5	1.0	—	S, US
	1800	182T	LM20676	√	1796	SREW4S3T61	64	230/460	7.8	89.5	1.0	14.22	S, US
	1200	213T	LM25423	√	2881	SREW6S3T61	109	230/460	8.4	78.5	1.0	17.30	S, US
5	3600	184T	LM21055	C/A	2272	SREW2S5T61	70	230/460	12.4	81.5	1.0	14.22	S, US
	1800	184T	LM20679	√	2043	SREW4S5T61	70	230/460	13.2	87.5	1.0	14.22	S, US
	1200	215T	LM25424	C/A	3793	SREW6S5T61	125	230/460	14.0	82.5	1.0	17.30	S, US
7 1/2	3600	213T	LM22423	C/A	2828	SREW2S7.5T61	109	230/460	19.0	81.5	1.0	17.30	S, US
	1800	213T	LM22435	C/A	2600	SREW4S7.5T61	109	230/460	19.2	81.5	1.0	15.80	S, US
	1200	254T	LM23931	C/A	5623	SREW6S7.5T61	208	230/460	—	86.5	1.0	—	S, US
10	3600	215T	LM22426	C/A	3373	SREW2S10T61	125	230/460	24.0	84.0	1.0	17.30	S, US
	1800	215T	LM22438	√	2970	SREW4S10T61	125	230/460	25.0	84.0	1.0	17.30	S, US

▼ LM Numbers are Lincoln Models

C/A - Check Availability

♥ Note listing on inside back flap

Specifications are subject to change without notice



View On-line Technical Information

Three Phase - Drip-Proof - C Face With Base

Lincoln Wash -Thru™ Motors

HP	SYN RPM 60 Hz	NEMA Frame	▼ Catalog Number	Stock	List Price	Model Number	App. Wgt. (lbs)	Voltage	F. L. Amps @ 230 V	% F.L. Eff.	Service Factor	"C" Dim. (Inches)	♥ Notes
1/2	3600	56C	LM21032	C/A	993	SREW2S0.5TC61	35	230/460	—	70.0	1.0	—	S, US
	1800	56C	LM20656	C/A	1068	SREW4S0.5TC61	35	230/460	2.4	68.0	1.0	10.43	S, US
3/4	3600	56C	LM21035	C/A	1052	SREW2S0.75TC61	35	230/460	—	74.0	1.0	—	S, US
	1800	56C	LM20659	C/A	1104	SREW4S0.75TC61	35	230/460	3.0	75.5	1.0	10.43	S, US
1	3600	56C	LM21038	C/A	1141	SREW2S1TC61	35	230/460	3.2	78.5	1.0	10.43	S, US
	1800	56C	LM20661	C/A	1152	SREW4S1TC61	35	230/460	3.6	77.0	1.0	10.93	S, US
	1800	143TC	LM20668	C/A	1152	SREW4S1TC61	40	230/460	3.6	77.0	1.0	10.99	S, US
1 1/2	3600	56C	LM21041	C/A	1212	SREW2S1.5TC61	35	230/460	4.6	81.5	1.0	10.93	S, US
	3600	143TC	LM21047	C/A	1254	SREW2S1.5TC61	40	230/460	—	78.5	1.0	—	S, US
	1800	56HC	LM20663	C/A	1204	SREW4S1.5TC61	35	230/460	4.8	80.0	1.0	10.93	S, US
2	1800	145TC	LM20671	C/A	1204	SREW4S1.5TC61	40	230/460	4.8	80.0	1.0	10.99	S, US
	3600	56HC	LM21044	C/A	1342	SREW2S2TC61	40	230/460	6.6	82.5	1.0	10.93	S, US
	3600	145TC	LM21050	C/A	1394	SREW2S2TC61	40	230/460	6.6	78.5	1.0	10.99	S, US
1800	56HC	LM20665	C/A	1460	SREW4S2TC61	40	230/460	6.2	81.5	1.0	11.93	S, US	
	145TC	LM20674	C/A	1427	SREW4S2TC61	40	230/460	6.2	81.5	1.0	12.49	S, US	
	3600	182TC	LM21053	C/A	1682	SREW2S3TC61	73	230/460	7.4	81.5	1.0	14.96	S, US
1800	182TC	LM20677	C/A	1874	SREW4S3TC61	73	230/460	7.8	81.5	1.0	14.96	S, US	
	5	3600	184TC	LM21056	C/A	2348	SREW2S5TC61	79	230/460	12.4	81.5	1.0	14.96
1800	184TC	LM20680	C/A	2120	SREW4S5TC61	79	230/460	13.2	81.5	1.0	14.96	S, US	
7 1/2	3600	213TC	LM22424	C/A	2916	SREW2S7.5TC61	121	230/460	18.0	81.5	1.0	16.53	S, US
	1800	213TC	LM22436	C/A	2690	SREW4S7.5TC61	121	230/460	19.2	81.5	1.0	16.53	S, US
10	3600	215TC	LM22427	C/A	3461	SREW2S10TC61	139	230/460	24.0	84.0	1.0	18.03	S, US
	1800	215TC	LM22439	C/A	3059	SREW4S10TC61	139	230/460	25.0	84.0	1.0	18.03	S, US

▼ LM Numbers are Lincoln Models

♥ Note listing on inside back flap

C/A - Check Availability

Specifications are subject to change without notice

Three Phase - Drip-Proof - C Face Less Base

HP	SYN RPM 60 Hz	NEMA Frame	▼ Catalog Number	Stock	List Price	Model Number	App. Wgt. (lbs)	Voltage	F. L. Amps @ 230 V	% F.L. Eff.	Service Factor	"C" Dim. (Inches)	♥ Notes
1/2	3600	56C	LM21033	C/A	993	SREW2S0.5TCN61	35	230/460	—	70	1.0	—	S, US
	1800	56C	LM20657	C/A	1068	SREW4S0.5TCN61	35	230/460	2.4	74.0	1.0	10.43	S, US
3/4	3600	56C	LM21036	C/A	1052	SREW2S0.75TCN61	35	230/460	—	74.0	1.0	—	S, US
	1800	56C	LM20660	C/A	1104	SREW4S0.75TCN61	35	230/460	3.0	77.0	1.0	10.43	S, US
1	3600	56C	LM21039	C/A	1138	SREW2S1TCN61	35	230/460	3.2	75.5	1.0	10.43	S, US
	1800	56C	LM20662	C/A	1152	SREW4S1TCN61	35	230/460	3.6	78.5	1.0	10.93	S, US
	1800	143TC	LM20669	C/A	1152	SREW4S1TCN61	40	230/460	3.6	78.5	1.0	10.99	S, US
1 1/2	3600	56C	LM21042	C/A	1212	SREW2S1.5TCN61	35	230/460	—	78.5	1.0	—	S, US
	3600	143TC	LM21048	C/A	1254	SREW2S1.5TCN61	40	230/460	—	78.5	1.0	—	S, US
	1800	56HC	LM20664	C/A	1204	SREW4S1.5TCN61	35	230/460	4.8	80.0	1.0	10.93	S, US
1800	145TC	LM20672	C/A	1204	SREW4S1.5TCN61	40	230/460	4.8	80.0	1.0	10.99	S, US	
	3600	56HC	LM21045	C/A	1342	SREW2S2TCN61	40	230/460	6.6	78.5	1.0	10.93	S, US
	3600	145TC	LM21051	C/A	1394	SREW2S2TCN61	40	230/460	6.6	78.5	1.0	10.99	S, US
1800	56HC	LM20666	C/A	1460	SREW4S2TCN61	40	230/460	6.2	81.5	1.0	11.93	S, US	
	145TC	LM20675	C/A	1426	SREW4S2TCN61	40	230/460	6.2	81.5	1.0	11.99	S, US	
	3600	182TC	LM21054	C/A	1686	SREW2S3TCN61	73	230/460	—	81.5	1.0	—	S, US
1800	182TC	LM20678	C/A	1874	SREW4S3TCN61	73	230/460	7.8	81.5	1.0	15.13	S, US	
5	3600	184TC	LM21057	C/A	2354	SREW2S5TCN61	79	230/460	12.4	81.5	1.0	15.13	S, US
	1800	184TC	LM20681	C/A	2120	SREW4S5TCN61	79	230/460	13.2	81.5	1.0	15.13	S, US
7 1/2	3600	213TC	LM22425	C/A	2916	SREW2S7.5TCN61	121	230/460	—	81.5	1.0	—	S, US
	1800	213TC	LM22437	C/A	2690	SREW4S7.5TCN61	121	230/460	—	81.5	1.0	—	S, US
10	3600	215TC	LM22428	C/A	3461	SREW2S10TCN61	139	230/460	—	84.0	1.0	—	S, US
	1800	215TC	LM22440	C/A	3059	SREW4S10TCN61	139	230/460	25.0	84.0	1.0	—	S, US

▼ LM Numbers are Lincoln Models

♥ Note listing on inside back flap

C/A - Check Availability

Specifications are subject to change without notice

View On-line Technical Information



Automotive Duty Motors

Pump Motors

Washguard Motors

Agricultural Motors

HVAC / Fan Motors

Special Voltage Motors

Definite Purpose Motors

Brake Motors

IEC Motors

Washguard Motors

DC Washdown Duty Motors

White Epoxy Painted



DC - SCR Rated 90 & 180 Volts - TENV - C Face with Removable Base

HP	Full Load RPM	NEMA Frame	Catalog Number	Stock	List Price	Model Number	App. Wgt. (lbs)	Arm. Volts DC	Control Volts AC Input	F. L. Amps DC	"C" Dim. (Inches)	♥Notes
1/4	1750	S56C	108423.00	✓	781	C4D17VK9C	23	90	115	2.7	10.69	S, US
	1750	S56C	098375.00	✓	781	C42D17VK1A	21	180	230	1.4	10.22	S, US
1/3	1750	S56C	108424.00	✓	826	C4D17VK10C	26	90	115	3.5	11.69	S, US
	1750	S56C	098376.00	✓	826	C42D17VK2A	22	180	230	1.7	10.22	S, US
1/2	1750	S56C	108226.00	✓	926	C4D17VK1E	38	90	115	4.9	13.69	S, US
	1750	S56C	108227.00	✓	926	C4D17VK2E	43	180	230	2.4	13.69	S, US
3/4	1750	S56C	108228.00	✓	1124	C4D17VK3E	53	90	115	7.0	15.69	S, US
	1750	S56C	108229.00	✓	1124	C4D17VK4E	50	180	230	3.5	15.69	S, US
1	1750	S56C	108230.00**	✓	1370	C4D17WK1H	45	90	115	10.0	15.81	S, US
	1750	S56C	108231.00**	✓	1370	C4D17WK2G	42	180	230	5.0	14.81	S, US
1 1/2	1750	S56C	108232.00**	✓	1750	C4D17WK3F	50	180	230	7.6	15.81	S, US

** These motors are totally enclosed fan cooled

♥ Note listing on inside back flap

Specifications are subject to change without notice

Washguard - DC - IEC Frame

180 Volts - TENV IP55 - B5 Flange With Removable B3 Base

HP/ kW	Full Load RPM	NEMA Frame	Catalog Number	Stock	List Price	Model Number	App. Wgt. (lbs)	Arm. Volts DC	Control Volts AC Input	F. L. Amps DC	"C" Dim. (Inches)	♥Notes
1/2 - .37	1750	71	098040.00	C/A	819	42D17VD1	22	180	230	2.5	10.69	S, US
3/4 - .55	1750	80	108407.00	C/A	1110	4D17VD1	52	180	230	3.5	16.02	S, US

Specifications are subject to change without notice

♥ Note listing on inside back flap

If base is removed, do not reinstall bolts without using washers to compensate for the thickness of base.

These WASHGUARD motors are modular design but stocked with B5 flange and B3 foot. The foot is removable. The B5 flange can be replaced with a B14 face or other diameter B5 flanges noted on page 157.

All Washdown Duty Motors Have Class F Insulation.



View On-line Technical Information



Washguard Motors

SUB-FHP IP55 Washguard Motors

White Epoxy Painted

Automotive
Duty Motors

Pump
Motors

Washguard
Motors

Agricultural
Motors

HVAC / Fan
Motors

Special Voltage
Motors

Definite
Purpose Motors

Brake Motors

IEC Motors

General Specifications:

Precision subfractional horsepower DC permanent magnet motors. Designed for use with fullwave non-filtered SCR controls or battery supplied low voltage for adjustable speed applications requiring constant torque throughout the speed range.

Features:

- 303 Stainless steel shaft resists corrosion
- Lubricated spring loaded contact seals prevent moisture from entering the motor
- Double sealed, Oversize bearings with high temp lubricant
- Exterior and interior components protected against moisture, acids, alkalies and oil
- Cast conduit box for superior sealing includes:
 - Threaded conduit entrance
 - Drain holes
 - Nitrile gaskets
 - 304 stainless steel conduit box cover
 - Stainless steel hardware
- USDA Approved white epoxy finish
- Nylon seals at bolt heads for superior sealing
- O ring sealed brush covers



Three Phase - Drip-Proof - C Face Less Feet

HP	SYN RPM 60 Hz	NEMA Frame	▼ Catalog Number	Stock	List Price	Model Number	App. Wgt. (lbs)	Arm. Volts DC	Control Volts AC Input	F. L. Amps DC	"C" Dim. (Inches)	♥Notes
1/8	1800	31S	M1120181.00	√	485	M31D17VZ1	11	90	115	1.5	8.57	S, US
1/6	1800	31S	M1120183.00	√	492	M31D17VZ3	11	90	115	1.9	10.07	S, US
1/4	3600	32F42CZ	M1120185.00	√	535	M32D25VC1	13	90	115	1.9	10.00	S, US

Specifications are subject to change without notice

♥ Note listing on inside back flap

Low Voltage - 12 Volt - TENV - Square Flange or C Face

HP	SYN RPM 60 Hz	NEMA Frame	▼ Catalog Number	Stock	List Price	Model Number	App. Wgt. (lbs)	Arm. Volts DC	F. L. Amps DC	"C" Dim. (Inches)	♥Notes
1/8	1800	31S	M1120182.00	√	505	M31D17VZ2	7	12	10.5	8.07	S, US
1/6	1800	31S	M1120184.00	√	512	M31D17VZ4	11	12	14.5	9.57	S, US
1/4	3600	32F42CZ	M1120186.00	√	556	M32D25VC2	13	12	20.0	9.50	S, US

Specifications are subject to change without notice

♥ Note listing on inside back flap

View On-line Technical Information



Washguard Motors

IP55 Washguard Gearmotors - Parallel Shaft White Epoxy Painted

General Specifications - SCR rated Gearmotors:

- Performance matched for continuous duty service over 60:1 speed range
- Constant torque throughout the range when powered by a full-wave unfiltered SCR-type adjustable speed control having a typical form factor of 1.3 to 1.4

General Specifications - Low voltage Gearmotors:

- Performance matched for continuous duty service
- Designed for battery power or can be used with a low voltage controller with form factor up to 1.05

Features:

- Gearbox output shafts are coated with Miroton 3300 fortified Teflon for superior corrosion resistance
- Frame, endshields, armature and interior components protected by enamel and polyester compounds for resistance to moisture, acids, alkalies and oil
- Precision machined in-line steel gears
- First stage steel helical gear followed by spur-type gears
- Lubrication is permanent semi-fluid grease, reducing possibility of leakage
- Output shafts have needle bearings for high load capacities
- Gearbox Shafts are hardened steel
- Cast conduit box with threaded conduit holes and Nitrile gaskets keep water out
- Conduit box cover is made from 304 stainless steel
- For any condensation that may accumulate inside the motor, a one-way stainless steel vapor vent is provided
- All hardware is stainless steel
- Painted with white epoxy for superior corrosion resistance and protection
- Machined fits between the endbells and motor frame are sealed with gaskets
- Thru-bolt heads and nuts sealed with fiber washers
- O-rings under each threaded brush cover

Application Notes :

- Extended life in wet, high humidity applications
- Design repels water from entering motor
- Internal components protected against rust and corrosion
- These gearmotors are designed for mounting at any angle, but motor below the reducer should be avoided to prevent leakage of lubricant into the motor should the motor shaft seal fail
- Overhung load capacities shown are at center of output shaft
- Motor's stall torque could exceed recommended full load torques. A current limiting device such as an SCR control should be used to prevent damage. This issue is even more critical for low voltage motors, typically no controller is used since motor is connected directly to a battery, so some type of current limit or fusing should be considered.
- USDA approved white epoxy finish
- **Bison/Dayton direct interchange**

Washguard Motors

IP55 Washguard Gearmotors - Parallel Shaft

White Epoxy Painted



P300 Series - SCR RATED - 90V - Parallel Shaft - TENV - 1.0 Service Factor

Output RPM	F.L Torque (Lb.In.)	Input HP	Catalog Number	Stock	List Price	Model Number	Gearmotor Type & Frame	Ratio to 1	DC Arm. Volts	Full Load Amps DC	Over-hung Load (Lbs.)
5	353	1/20	M1125261.00	✓	825	CM31D17VZ5A	P303-31	336	90	0.81	565
31	220	1/8	M1125262.00	✓	848	CM31D17VZ6A	P303-31	58	90	1.6	327
51	130	1/8	M1125263.00	✓	784	CM31D17VZ7A	P302-31	35	90	1.6	277
94	77	1/8	M1125264.00	✓	784	CM31D17VZ8A	P302-31	19	90	1.6	236
167	43	1/8	M1125265.00	✓	784	CM31D17VZ9A	P302-31	11	90	1.6	197

P	PB	X Inches	XL	XH
3.13	3.8	3.54	10.44	8.94
3.13	3.8	3.54	11.94	10.44
3.13	3.8	3.54	11.94	10.44
3.13	3.8	3.54	11.94	10.44
3.13	3.8	3.54	11.94	10.44

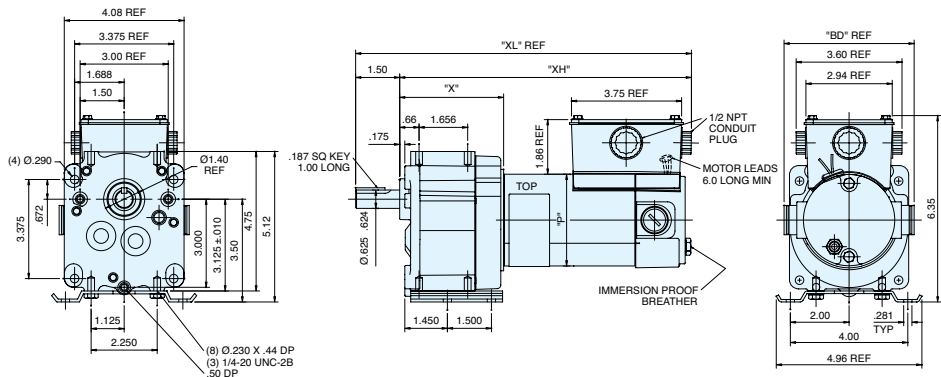
Specifications are subject to change without notice

P300 Series - Low Voltage (12V) - Parallel Shaft - TENV - 1.0 Service Factor

Output RPM	F.L Torque (Lb.In.)	Input HP	Catalog Number	Stock	List Price	Model Number	Gearmotor Type & Frame	Ratio to 1	DC Arm. Volts	Full Load Amps DC	Over-hung Load (Lbs.)
5	353	1/20	M1125266.00	✓	848	CM31D17VZ10B	P303-31	336	12	6.4	565
31	220	1/8	M1125267.00	✓	869	CM31D17VZ11B	P303-31	58	12	11	327

P	PB	X Inches	XL	XH
3.13	3.8	3.54	10.44	8.94
3.13	4.43	3.54	11.94	9.94

Specifications are subject to change without notice



View On-line Technical Information



- Automotive Duty Motors
- Pump Motors
- Washguard Motors
- Agricultural Motors
- HVAC / Fan Motors
- Special Voltage Motors
- Definite Purpose Motors
- Brake Motors
- IEC Motors

Washguard Motors

IP55 Washguard Gearmotors - Parallel Shaft

White Epoxy Painted

General Specifications - SCR rated Gearmotors:

- Performance matched for continuous duty service over 60:1 speed range
- Constant torque throughout the range when powered by a full-wave unfiltered SCR-type adjustable speed control having a typical form factor of 1.3 to 1.4

General Specifications - Low voltage Gearmotors:

- Performance matched for continuous duty service
- Designed for battery power or can be used with a low voltage controller with form factor up to 1.05

Features:

- Gearbox output shafts are coated with Mirolon 3300 fortified Teflon for superior corrosion resistance
- Frame, endshields, armature and interior components protected by enamel and polyester compounds for resistance to moisture, acids, alkalies and oil
- Precision machined in-line steel gears
- First stage steel helical gear followed by spur-type gears
- Lubrication is permanent semi-fluid grease, reducing possibility of leakage
- Output shafts have needle bearings for high load capacities
- Gearbox Shafts are hardened steel
- Cast conduit box with threaded conduit holes and Nitrile gaskets keep water out
- Conduit box cover is made from 304 stainless steel
- For any condensation that may accumulate inside the motor, a one-way stainless steel vapor vent is provided
- All hardware is stainless steel
- Painted with white epoxy for superior corrosion resistance and protection
- Machined fits between the endbells and motor frame are sealed with gaskets
- Thru-bolt heads and nuts sealed with fiber washers
- O-rings under each threaded brush cover

Application Notes :

- Extended life in wet, high humidity applications
- Design repels water from entering motor
- Internal components protected against rust and corrosion
- These gearmotors are designed for mounting at any angle, but motor below the reducer should be avoided to prevent leakage of lubricant into the motor should the motor shaft seal fail
- Overhung load capacities shown are at center of output shaft
- Motor's stall torque could exceed recommended full load torques. A current limiting device such as an SCR control should be used to prevent damage. This issue is even more critical for low voltage motors, typically no controller is used since motor is connected directly to a battery, so some type of current limit or fusing should be considered.
- USDA approved white epoxy finish
- **Bodine/Baldor direct interchange**



Washguard Motors

IP55 Washguard Gearmotors - Parallel Shaft

White Epoxy Painted

Automotive
Duty Motors

Pump
Motors

Washguard
Motors

Agricultural
Motors

HVAC / Fan
Motors

Special Voltage
Motors

Definite
Purpose Motors

Brake Motors

IEC Motors

TENV - 1.0 Service Factor - SCR Rated 90V

Output RPM	F.L Torque (Lb.In.)	Input HP	Catalog Number	Stock	List Price	Model Number	Gearmotor Type & Frame	Ratio to 1	DC Arm. Volts	Full Load Amps DC	Over-hung Load (Lbs.)
14	341	1/8	M1125268.00	✓	854	M31D25VZ1	P353-31	180	90	1.5	465
42	280	1/4	M1125269.00	✓	884	M32D25VZ1	P353-32	58	90	2.6	327
83	155	1/4	M1125270.00	✓	861	M32D25VZ2	P353-32	29	90	2.6	267
250	45	1/4	M1125271.00	✓	861	M32D25VZ3	P352-32	10	90	2.6	201
500	25	1/4	M1125272.00	✓	861	M32D25VZ4	P352-32	5	90	2.6	194

P	PB	X Inches	XL	XH
3.13	3.8	3.45	11.84	9.84
3.25	3.8	3.45	13.84	11.84
3.25	3.8	3.45	13.84	11.84
3.25	3.8	3.45	13.84	11.84
3.25	3.8	3.45	13.84	11.84

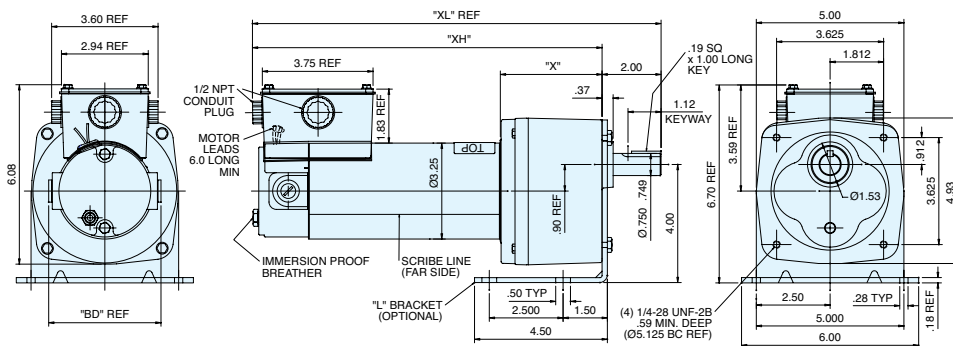
Specifications are subject to change without notice

PE350 Series Parallel Shaft - TENV - 1.0 Service Factor - Low Voltage 12V

Output RPM	F.L Torque (Lb.In.)	Input HP	Catalog Number	Stock	List Price	Model Number	Gearmotor Type & Frame	Ratio to 1	DC Arm. Volts	Full Load Amps DC	Over-hung Load (Lbs.)
14	341	1/8	M1125273.00	✓	876	M31D25VZ2	P353-31	180	12	12	465
42	325	1/4	M1125274.00	✓	925	M32D25VZ5	P353-32	58	12	20	327

P	PB	X Inches	XL	XH
3.13	4.43	3.45	11.58	9.58
3.25	4.43	3.45	13.84	11.84

Specifications are subject to change without notice



View On-line Technical Information



Washguard Motors

IP55 Washguard Right Angle Gearmotors

White Epoxy Painted

General Specifications - SCR rated Gearmotors:

- Performance matched for continuous duty service over 60:1 speed range
- Constant torque throughout the range when powered by a full-wave unfiltered SCR-type adjustable speed control having a typical form factor of 1.3 to 1.4

General Specifications - Low voltage Gearmotors:

- Performance matched for continuous duty service
- Designed for battery power or can be used with a low voltage controller with form factor up to 1.05

Features:

- 303 Stainless Steel gearbox output shaft
- Frame, endshields, armature and interior components protected by enamel and polyester compounds for resistance to moisture, acids, alkalies and oil
- Cast conduit box with threaded conduit holes and Nitrile gaskets keep water out
- Conduit box cover is made from 304 stainless steel
- For any condensation that may accumulate inside the motor, a one-way stainless steel vapor vent is provided
- All hardware is stainless steel
- Painted with white epoxy for superior corrosion resistance and protection
- Machined fits between the endbells and motor frame are sealed with gaskets
- Thru-bolt heads and nuts sealed with fiber washers
- O-rings under each threaded brush cover
- Worm-type right-angle gearing features hardened, steel worm with bronze worm wheel for long life and quiet operation
- Precision machined aluminum gear housing
- Lubrication is permanent with an oil bath
- Gearbox has all ball bearings
- Output shaft is field interchangeable from left hand to right hand style by reassembly
- Double output shaft available as a factory option

Application Notes :

- These right-angle gearmotors have a lubrication breather positioned for horizontal mounting. For other mountings, the breather plug must be reoriented by using a 90 deg 1/8" NPT taper pipe elbow (See drawing). Elbow not available from LEESON
- These gearmotors are designed for mounting at any angle, but motor below the reducer should be avoided to prevent leakage of lubricant into the motor should the motor shaft seal fail
- Overhung load capacities shown are at center of output shaft
- For additional information, see Bulletin 1830



Washguard Motors

IP55 Washguard Right Angle Gearmotors White Epoxy Painted

TENV - 1.0 Service Factor - SCR Rated 90V

Output RPM	F.L Torque (Lb.In.)	Input HP	Catalog Number	Stock	List Price	Model Number	Gearmotor Type & Frame	Ratio to 1	DC Arm. Volts	Full Load Amps DC	Over-hung Load (Lbs.)
42	80	1/8	M1125275.00	√	854	M31D25VZ3	13F60-31	60	90	2.2	235
250	25	1/8	M1125276.00	√	854	M31D25VZ4	13F10-31	10	90	2.2	235
62	135	1/4	M1125277.00	√	861	M32D25VZ6	13F40-32	40	90	3.7	235
125	90	1/4	M1125278.00	√	861	M32D25VZ7	13F20-32	20	90	3.7	235
250	50	1/4	M1125279.00	√	861	M32D25VZ8	13F10-32	10	90	3.7	235

P	PB	X Inches	XL	XH
3.13	3.8	4.5	10.86	6.36
3.13	3.8	4.5	10.86	6.36
3.25	3.8	4.5	12.86	8.36
3.25	3.8	4.5	12.86	8.36
3.25	3.8	4.5	12.86	8.36

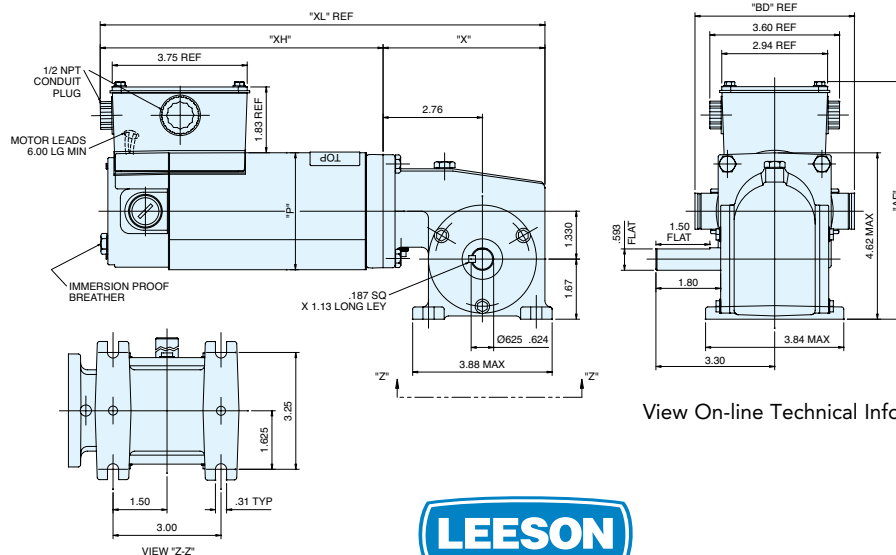
Specifications are subject to change without notice

PE350 Series Parallel Shaft - TENV - 1.0 Service Factor - Low Voltage 12V

Output RPM	F.L Torque (Lb.In.)	Input HP	Catalog Number	Stock	List Price	Model Number	Gearmotor Type & Frame	Ratio to 1	DC Arm. Volts	Full Load Amps DC	Over-hung Load (Lbs.)
62	135	1/4	M1125280.00	√	818	M32D25VZ9	13F40-32	40	12	28	235
125	90	1/4	M1125281.00	√	818	M32D25VZ10	13F20-32	20	12	28	235

P	PB	X Inches	XL	XH
3.25	4.43	4.5	12.36	7.86
3.25	4.43	4.5	12.36	7.86

Specifications are subject to change without notice



View On-line Technical Information



Automotive
Duty Motors

Pump
Motors

Washguard
Motors

Agricultural
Motors

HVAC / Fan
Motors

Special Voltage
Motors

Definite
Purpose Motors

Brake Motors

IEC Motors

Washguard Motors

IP55 AC Washguard Gearmotors

Parallel Shaft - White Epoxy Painted

Features:

- Single phase PSC designs include capacitor inside conduit box
- These gearmotors are designed for mounting at any angle, but motor below the reducer should be avoided to prevent leakage of lubricant into the motor should the motor shaft seal fail
- 304 Stainless steel external shafts
- White epoxy painted motors
- O-rings and gaskets used for sealing
- Hardened Worm-type gearing used
- Interior components protected against corrosion
- Ball bearings used in gear housing
- Sealed output shafts
- Output shafts have needle bearings for high load capacities
- UL listed and CSA certified
- **Bison/Dayton direct interchange**



P240 series AC Washdown Duty Gearmotors

Output RPM	F.L Torque (Lb.In.)	Input HP	Catalog Number	Stock	List Price	Model Number	Gearmotor Type & Frame	Ratio to 1	Voltage	Phase	♥Notes
16	391	5/32	M1145138.00	✓	880	CM38P17FZ39A	P240	103	115/230	1	S, US
40	219	5/32	M1145139.00	✓	880	CM38P17FZ40A	P240	43	115/230	1	S, US
156	60	5/32	M1145140.00	✓	807	CM38P17FZ41A	P240	10.6	115/230	1	S, US
16	391	1/6	M1145144.00	✓	880	CM38T17FZ20A	P240	103	230	3	S, US
30	295	1/6	M1145145.00	✓	880	CM38T17FZ21A	P240	58	230	3	S, US

Specifications are subject to change without notice

♥ Note listing on inside back flap



View On-line Technical Information

Washguard Motors

IP55 AC Washguard Gearmotors

Right Angle

Automotive
Duty Motors

Pump
Motors

Washguard
Motors

Agricultural
Motors

HVAC / Fan
Motors

Special Voltage
Motors

Definite
Purpose Motors

Brake Motors

IEC Motors

Features:

- Single phase PSC designs include capacitor inside conduit box
- These gearmotors are designed for mounting at any angle, but motor below the reducer should be avoided to prevent leakage of lubricant into the motor should the motor shaft seal fail
- 304 Stainless steel external shafts
- White epoxy painted motors
- O-rings and gaskets used for sealing
- Hardened Worm-type gearing used
- Interior components protected against corrosion
- Ball bearings used in gear housing
- Sealed output shafts
- Output shafts have needle bearings for high load capacities
- UL listed and CSA certified



Right Angle Series AC Washdown Duty Gearmotors

Output RPM	F.L Torque (Lb.In.)	Input HP	Catalog Number	Stock	List Price	Model Number	Gearmotor Type & Frame	Ratio to 1	Voltage	Phase	♥Notes
43	113	1/6	M1145141.00	√	669	CM38P17FZ42A	Right-Angle	40	115/230	1	S, US
83	75	1/6	M1145142.00	√	907	CM38P17FZ43A	Right-Angle	20	115/230	1	S, US
340	23	1/6	M1145143.00	√	907	CM38P17FZ44A	Right-Angle	5	115/230	1	S, US
29	220	1/6	M1145146.00	√	907	CM38T17FZ22A	Right-Angle	60	230	3	S, US
172	105	1/6	M1145147.00	√	907	CM38T17FZ23A	Right-Angle	10	230	3	S, US

Specifications are subject to change without notice

♥ Note listing on inside back flap

View On-line Technical Information



Washguard Motors

Chemical Resistance Comparison

- Automotive Duty Motors
- Pump Motors
- Washguard Motors
- Agricultural Duty Motors
- HVAC / Fan Motors
- Special Voltage Motors
- Definite Purpose Motors
- Brake Motors
- IEC Motors

Chemical Name	% Concentration	Exposure	White Epoxy	Stainless Steel
Fresh Water	100	Continuous	Excellent	Excellent
Salt Water	5	Continuous	Excellent	Excellent
Salt Brine	Dilute	Continuous	Fair	Good
Ammonium Hydroxide	Dilute	Continuous	Good	Excellent
Calcium Hydroxide (Lime)	100	Intermittent	Good	Excellent
Citric Acid	10	Continuous	Good	Excellent
Ethylene Glycol	100	Continuous	Excellent	Excellent
Hydrochloric Acid	37	Intermittent	Good	Poor
Lactic Acid	Dilute	Intermittent	Excellent	Excellent
Lactic Acid	100	Intermittent	Fair	Fair
Mineral Spirits	100	Continuous	Excellent	Excellent
Potassium Hydroxide	50	Intermittent	Fair	Fair
Sodium Hydroxide	5	Continuous	Fair	Excellent
Sodium Hydroxide	20	Continuous	Fair	Excellent
Sodium Hydroxide	50	Continuous	Excellent	Excellent
Sodium Hypochlorite (Bleach)	15	Intermittent	Excellent	Excellent
Sulfuric Acid	10	Intermittent	Fair	Fair
Toluene	100	Continuous	Fair	Fair
Animal Fats	NA	Continuous	Excellent	Excellent
Mineral Oils	NA	Continuous	Excellent	Excellent
Vegetable Oils	NA	Continuous	Excellent	Excellent
Cutting Oils	NA	Continuous	Excellent	Excellent
Detergents	NA	Continuous	Excellent	Excellent
Gasoline	NA	Continuous	Fair	Fair
Hydraulic Fluid	NA	Continuous	Excellent	Excellent
Lubricating Oils	NA	Continuous	Excellent	Excellent
General Weathering	NA	Continuous	Fair	Excellent
Mold/Mildew	NA	Continuous	Excellent	Excellent
Light Abrasion	NA	Continuous	Excellent	Excellent
Heavy Abrasion	NA	Continuous	Fair	Excellent



Washguard Motors

Washguard II Motors

Stainless Frame - Three Phase - Standard, EPACT & NEMA Premium Ratings

Typical applications include food processing areas requiring frequent sanitation procedures using high pressure cleaning with concentrated caustic solutions, areas of high humidity and in chemical environments.

Features:

- Paint free exterior
- BISSC certified for the Baking Industry
- Stainless Steel Output shafts
- Repositional drain plugs for all angle mounting
- Double Sealed bearings
- Output shaft seal
- Inverter Duty IRIS™ insulation system



Stainless Frame - TENV - C Face Less Base

HP	SYN RPM 60 Hz	NEMA Frame	Catalog Number	Stock	List Price	Model Number	App. Wgt. (lbs)	Voltage	F. L. Amps @ 230 V	% F.L. Eff.	Service Factor	"C" Dim. (Inches)	Notes
1/2	1800	56C	114394.00	√	787	CZ6T17VC10	30	208-230/460	1.6	78.5	1.15	11.06 S, US, 12	
3/4	1800	56C	114395.00	√	911	CZ6T17VC11	34	208-230/460	2.3	80.0	1.15	11.56 S, US, 12	
1	1800	56C	114437.00	√	945	CZ6T17VC12	44	208-230/460	3.0	81.5	1.15	12.06 S, US, 12	
	1800	143TC	121109.00	√	945	CZ143T17VC2	40	208-230/460	3.0	81.5	1.15	12.13 S, US, 12	
1 1/2	1800	56C	114581.00	√	991	CZ6T17WC14	45	208-230/460	4.4	84.0	1.15	12.69 S, US, 13	
	1800	145TC	G121350.00	√	991	CZ145T17WC29	45	208-230/460	4.4	82.5	1.15	13.25 S, US, 13	
2	1800	56C	114582.00	√	1125	CZ6T17WC11	51	208-230/460	5.6	84.0	1.15	13.69 S, US, 13	
	1800	145TC	G121351.00	√	1125	CZ145T17WC30	52	208-230/460	5.6	84.0	1.15	13.75 S, US, 13	

Specifications are subject to change without notice

♥ Note listing on inside back flap

Stainless Frame - TENV - C Face With Base

HP	SYN RPM 60 Hz	NEMA Frame	Catalog Number	Stock	List Price	Model Number	App. Wgt. (lbs)	Voltage	F. L. Amps @ 230 V	% F.L. Eff.	Service Factor	"C" Dim. (Inches)	Notes
1/2	1800	56HC	114560.00	√	795	CZ6T17VK3	34	208-230/460	1.6	78.5	1.15	11.56 S, US, 6, 12	
3/4	1800	56HC	114561.00	√	919	CZ6T17VK4	38	208-230/460	2.3	80	1.15	12.06 S, US, 6, 12	
1	1800	56HC	114562.00	√	955	CZ6T17VK5	45	208-230/460	2.3	81.5	1.15	12.06 S, US, 6, 12	
	1800	143TC	121165.00	√	955	CZ143T17VK2	45	208-230/460	2.3	81.5	1.15	12.13 S, US, 12	
1 1/2	1800	145TC	121912.00	√	1096	CZ145T14KW40	47	208-230/460	4.4	86.5	1.15	13.25 S, US, 13	
2	1800	145TC	121913.00	√	1282	CZ145T14WK41	54	208-230/460	5.6	86.5	1.25	13.75 S, US, 13	

Green items are Premium Efficient

♥ Note listing on inside back flap

Specifications are subject to change without notice

View On-line Technical Information



Automotive
Duty Motors

Pump
Motors

Washguard
Motors

Agricultural
Motors

HVAC / Fan
Motors

Special Voltage
Motors

Definite
Purpose Motors

Brake Motors

IEC Motors

Washguard Motors

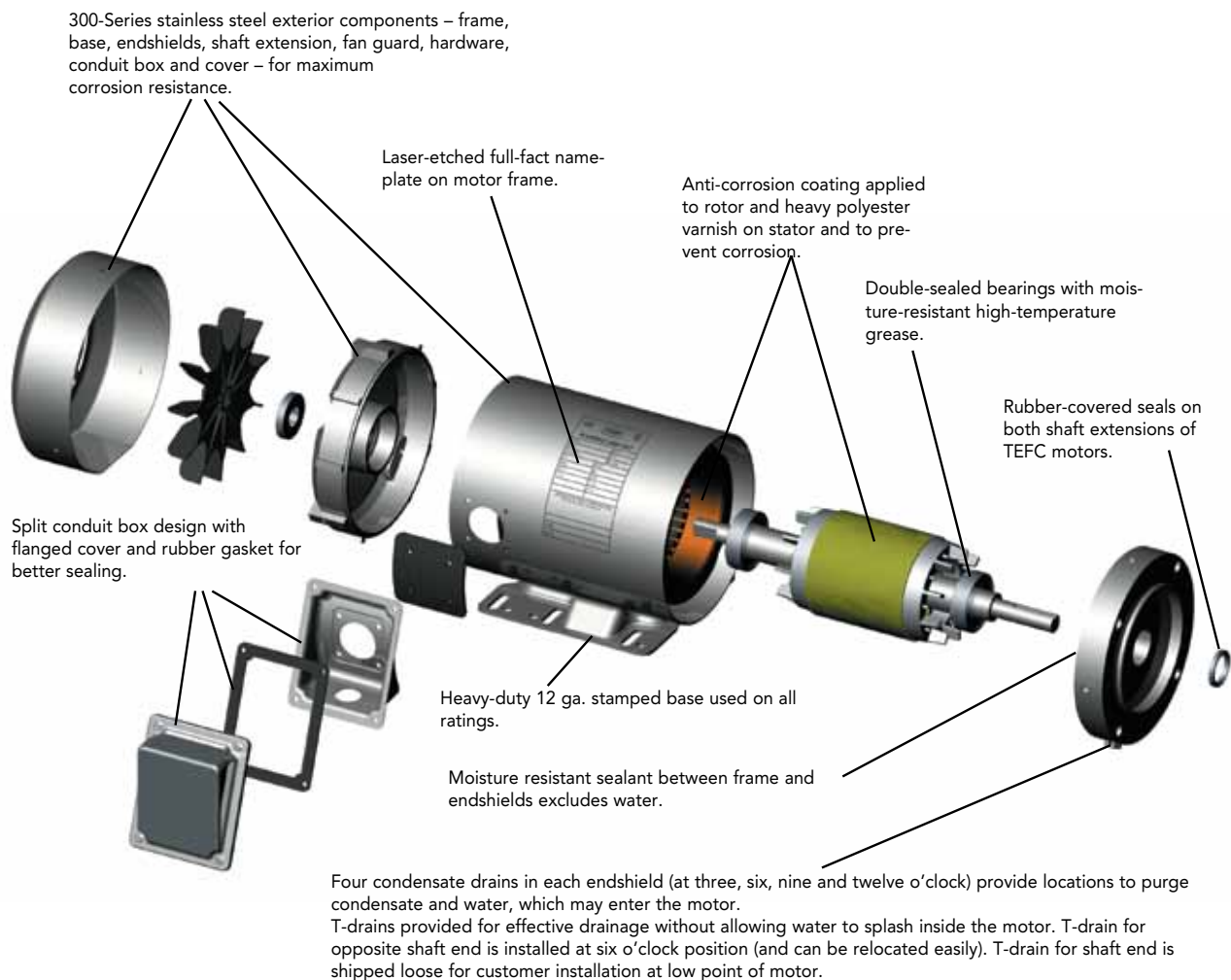
SST - All Stainless Motors

SST StainlessDuck



This member of LEESON's family of tough ducks is designed for long life in demanding washdown applications. LEESON's FHP WASHGUARD SST All-Stainless motors are Stainless Steel Tough!

Built with all stainless steel external components to prevent corrosion and well sealed against moisture and condensation to protect internal components, the Washguard SST all-stainless motors are able to withstand the severe washdown environments found in the food processing, chemical processing, and beverage industries.





Washguard Motors

SST - All Stainless Motors



Single-Phase - TENV/TEFC - C Face With Base

HP	SYN RPM 60 Hz	NEMA Frame	Catalog Number	Stock	List Price	Model Number	App. Wgt. (lbs)	Voltage	F. L. Amps @ 230 V	% F.L. Eff.	Service Factor	"C" Dim. (Inches)	♥Notes
1/2	3600	56C	191474.00	√	673	C6C34WK18	29.5	115/208-230	3.1	11.1	1.15	11.1	S, CN
	1800	56C	191475.00	√	759	C6C17WK14	31.5	115/208-230	4.1	11.1	1.15	11.1	S, CN
3/4	3600	56C	191476.00	√	740	C6C34WK19	31.5	115/208-230	4.5	11.8	1.15	11.8	S, CN
	1800	56C	191477.00	√	876	C6C17WK15	39	115/208-230	4.9	11.8	1.15	11.8	S, CN
1	3600	56C	191478.00	√	870	C6C34WK20	39	115/208-230	6.2	12.3	1.15	12.3	S, CN
	1800	56C	191479.00	√	913	C6C17WK16	42.5	115/208-230	6.8	12.3	1.15	12.3	S, CN
1 1/2	3600	56C	191480.00	√	957	C6K34WK2	42.5	115/208-230	8.8	13.2	1.15	13.2	S, CN
	1800	56C	191481.00	√	954	C6K17WK1	52.5	115/208-230	9.5	13.2	1.15	13.2	S, CN
2	3600	145TC	191482.00	√	1235	C145K34WK2	64.5	115/208-230	10.8	14.2	1.15	14.2	S, CN
	1800	145TC	191483.00	√	1210	C145K17WK3	64.5	115/208-230	9.0	14.2	1.15	14.2	S, CN

Specifications are subject to change without notice

♥ Note listing on inside back flap

View On-line Technical Information



Automotive Duty Motors

Pump Motors

Washguard Motors

Agricultural Motors

HVAC / Fan Motors

Special Voltage Motors

Definite Purpose Motors

Brake Motors

IEC Motors

Washguard Motors

SST - All Stainless Motors



Three-Phase - TENV/TEFC - C-Face With Base

HP	SYN RPM 60 Hz	NEMA Frame	Catalog Number	Stock	List Price	Model Number	App. Wgt. (lbs)	Voltage	F. L. Amps @ 230 V	% F.L. Eff.	Service Factor	"C" Dim. (Inches)	Notes	
1/3	3600	56C	191200.00	✓	645	C6T34NK26	29	208-230/460	1.0	74.0	1.15	9.78	S, CN, 12	
	1800	56C	191201.00	✓	722	C6T17NK29	30	208-230/460	1.3	78.5	1.15	9.78	S, CN, 12	
1/2	3600	56C	191203.00	✓	660	C6T34NK27	32	208-230/460	1.5	77.0	1.15	9.78	S, CN, 12	
	1800	56C	191204.00	✓	744	C6T17NK30	33	208-230/460	1.6	81.5	1.15	9.78	S, CN, 12	
	1800	56C	191949.00	✓	744	C6T17NK46	34	208-230/460	1.6	81.5	1.15	13.77	S, CN, 13	
	1200	56C	191414.00	✓	809	C6T11NK4	36	208-230/460	2.0	78.5	1.15	9.76	S, CN, 12	
3/4	3600	56C	191206.00	✓	725	C6T34NK28	33	208-230/460	2.0	78.5	1.15	9.78	S, CN, 12	
	1800	56C	191207.00	✓	856	C6T17NK31	38	208-230/460	2.3	82.5	1.15	9.78	S, CN, 12	
	1800	56C	191950.00	✓	856	C6T17NK47	39	208-230/460	2.3	82.5	1.15	13.77	S, CN, 13	
	1200	56C	191415.00	✓	931	C6T11NK5	49	208-230/460	3.0	80.0	1.15	11.30	S, CN, 12	
1	3600	56HC	191209.00	✓	851	C6T34FK85	41	208-230/460	2.6	80.0	1.15	13.77	S, CN, 6, 13	
	3600	143TC	191486.00	✓	1060	C143T34WK10	42	208-230/460	2.6	80.0	1.15	13.62	S, CN, 13	
	1800	56C	191291.00	✓	893	C6T17NK38	46	208-230/460	3.0	81.5	1.15	11.00	S, CN, 12	
	1800	56HC	191211.00	✓	893	C6T17FK81	47	208-230/460	3.0	82.5	1.15	13.77	S, CN, 6, 13	
	1800	143TC	191487.00	✓	1114	C143T17WK14	48	208-230/460	3.0	85.5	1.15	13.62	S, CN, 13	
	1200	56HC	191417.00	✓	974	C6T11NK6	49	208-230/460	3.8	82.5	1.15	13.10	S, CN, 13	
1 1/2	1200	145TC	191528.00	✓	978	C6T11NK6A	49	208-230/460	3.8	82.5	1.15	13.20	S, CN, 13	
	3600	56HC	191215.00	✓	938	C6T34FK86	48	208-230/460	3.8	82.5	1.15	13.77	S, CN, 6, 13	
	3600	143TC	191488.00	✓	1172	C143T34WK12	49	208-230/460	3.8	84.0	1.15	13.62	S, CN, 13	
	1800	56HC	191217.00	✓	931	C6T17FK82	48	208-230/460	4.8	84.0	1.15	13.77	S, CN, 6, 13	
	1800	145TC	191489.00	✓	1161	C145T17WK35	49	208-230/460	4.8	86.5	1.15	13.62	S, CN, 13	
	2	3600	56HC	191221.00	✓	1039	C6T34FK87	49	208-230/460	5.0	84.0	1.15	13.77	S, CN, 6, 13
2	3600	145TC	191490.00	✓	1403	C145T34WK26	50	208-230/460	5.0	85.5	1.15	13.62	S, CN, 13	
	1800	56HC	191223.00	✓	1063	C6T17FK83	52	208-230/460	5.8	84.0	1.15	13.77	S, CN, 6, 13	
	1800	145TC	191491.00	✓	1378	C145T17WK37	53	208-230/460	5.8	86.5	1.15	13.62	S, CN, 13	
	3	3600	145TC	191492.00	✓	1505	C145T34WK21	62	208-230/460	7.4	86.5	1.15	14.12	S, CN, 13
3	3600	182TC	194000.00	⚡	C/A	1605	C182T34FK1	78	208-230/460	7.4	86.5	1.15	14.80	S, CN, 13
	1800	182TC	194001.00	⚡	C/A	1615	C182T17FK1	80	208-230/460	7.3	89.5	1.15	13.90	S, CN, 13
	5	3600	184TC	194002.00	⚡	C/A	1675	C184T34FK1	85	208-230/460	12.0	88.5	1.15	15.40
5	1800	184TC	194003.00	⚡	C/A	1690	C184T17FK1	86	208-230/460	12.2	89.5	1.15	15.40	S, CN, 13
	7 1/2	3600	213TC	194004.00	⚡	C/A	1956	C213T34FK1	130	208-230/460	17.8	89.5	1.15	17.70
7 1/2	1800	213TC	194005.00	⚡	C/A	1970	C213T17FK1	120	208-230/460	18.0	91.7	1.15	17.70	S, CN, 13
	10	3600	215TC	194006.00	⚡	C/A	2237	C215T34FK1	145	208-230/460	23.5	90.2	1.15	18.70
10	1800	215TC	194007.00	⚡	C/A	2245	C215T17FK1	135	208-230/460	24.0	91.7	1.15	18.70	S, CN, 13
	15	3600	254TC	194008.00	⚡	C/A	5179	C254T34FK1	224	208-230/460	34.6	91.0	1.15	25.10
15	1800	254TC	194009.00	⚡	C/A	5190	C254T17FK1	241	208-230/460	35.8	92.4	1.15	25.10	S, CN, 13
	20	3600	256TC	194010.00	⚡	C/A	5413	C256T34FK1	265	208-230/460	46.1	91.0	1.15	21.60
20	1800	256TC	194011.00	⚡	C/A	5425	C256T17FK1	282	208-230/460	47.4	93.0	1.15	21.60	S, CN, 13
	25	3600	284TC	194012.00	⚡	C/A	6671	C284T34FK1	347	208-230/460	56.7	91.7	1.15	21.50
25	1800	284TC	194013.00	⚡	C/A	6690	C284T17FK1	363	208-230/460	57.5	93.6	1.15	21.50	S, CN, 13
	30	3600	286TC	194014.00	⚡	C/A	6905	C286T34FK1	381	208-230/460	67.9	91.7	1.15	22.70
30	1800	286TC	194015.00	⚡	C/A	6925	C286T17FK1	386	208-230/460	69.0	93.6	1.15	22.70	S, CN, 13

Green items are Premium Efficient

♥ Note listing on inside back flap

⚡ Available 4th QTR 2012

C/A - Check Availability

Specifications are subject to change without notice



View On-line Technical Information



Washguard Motors

SST - All Stainless Motors



Three Phase - TENV/TEFC - C Face Less Base

HP	SYN RPM 60 Hz	NEMA Frame	Catalog Number	Stock	List Price	Model Number	App. Wgt. (lbs)	Voltage	F. L. Amps @ 230 V	% F.L. Eff.	Service Factor	"C" Dim. (Inches)	♥Notes
1/3	1800	56C	191202.00	√	716	C6T17NC328	30	208-230/460	1.3	78.5	1.15	9.78	S, CN, 12
1/2	1800	56C	191205.00	√	733	C6T17NC329	33	208-230/460	1.6	81.5	1.15	9.78	S, CN, 12
	1200	56C	191419.00	√	799	C6T11NC42	35	208-230/460	2.0	78.5	1.15	9.76	S, CN, 12
3/4	1800	56C	191208.00	√	854	C6T17NC298	38	208-230/460	2.3	82.5	1.15	9.78	S, CN, 12
	1200	56C	191420.00	√	929	C6T11NC43	47	208-230/460	3.0	80	1.15	11.30	S, CN, 12
1	1800	56C	191290.00	√	890	C6T17NC310	45	208-230/460	3.0	81.5	1.15	11.00	S, CN, 12
	1800	56C	191213.00	√	890	C6T17FC177	47	208-230/460	3.0	82.5	1.15	13.77	S, CN, 13
	1800	143TC	G191214.00	√	916	143T17WC12A	47	208-230/460	3.0	82.5	1.15	13.62	S, CN, 13
	1200	56C	191421.00	√	971	C6T11NC44	47	208-230/460	3.8	82.5	1.15	13.10	S, CN, 13
1 1/2	1800	56C	191219.00	√	929	C6T17FC178	48	208-230/460	4.8	84	1.15	13.77	S, CN, 13
	1800	145TC	G191220.00	√	956	C145T17WC37	48	208-230/460	4.8	84	1.15	13.62	S, CN, 13
2	1800	56C	191225.00	√	1058	C6T17FC179	52	208-230/460	5.8	84	1.15	13.77	S, CN, 13
	1800	145TC	G191226.00	√	1090	145T17WC38A	52	208-230/460	5.8	84	1.15	13.62	S, CN, 13

Specifications are subject to change without notice

♥ Note listing on inside back flap

View On-line Technical Information



Automotive
Duty Motors

Pump
Motors

Washguard
Motors

Agricultural
Motors

HVAC / Fan
Motors

Special Voltage
Motors

Definite
Purpose Motors

Brake Motors

IEC Motors

Washguard Motors

Premium - All Stainless Motors Single Phase & Three Phase

General Specifications:

Designed specifically to meet the demanding sanitation requirements of the pharmaceutical, food processing and beverage industries. These motors are also ideal in clean room and severe chemical-processing applications involving frequent washdown with nitric acid and caustic lye. In fact, WASHGUARD All-Stainless Motors include IEEE 841 severe-duty features right out of the box! Motors have been tested to and passed the IEC IP-56 test requirements.

Mechanical Protection Features:

- All exterior components are 300-series stainless steel
- Nothing on the motor's exterior is painted or coated in any way
- All sealing components are Viton® for superior chemical resistance
- Full fact nameplate is laser etched on the motor frame – no separately attached nameplate to trap dirt or contaminants
- Endshields are O-ring sealed to the frame
- Double lip shaft seals on both ends of TEFC motors (shaft end only on TENV motors)
- Removable hydrophobic breathers in opposite shaft endbell and conduit box equalize pressure without allowing moisture to enter
- Exterior fastener use minimized reducing the number of entry points for moisture. There are no holes in the frame for attaching a nameplate. Bearing lock screws are located inside the motor and the conduit box mounted screws have been eliminated
- Double-sealed bearings are pre-lubricated with moisture-resistant high-temperature grease for long life
- Interior coatings applied to rotor and stator protect against corrosion
- New conduit box mounting system provides optimum sealing
- Ease to clean construction is BISSC Certified for bakery applications

Electrical Performance and Protection Features:

- WASHGUARD efficiencies meet EPACT mandates for non-exempt motors when tested without shaft seals.
- Windings are immersed and cured in polyester insulating varnish for extra moisture-resistance
- LEESON's exclusive IRIS™ Inverter-Rated Insulation System provides extra protection and long life, especially in inverter-driven applications
- Single-phase motors use Solid State Sinpac® switch – no mechanical switch contacts to corrode and fail.
- All Washdown Duty motors have Class F Insulation

Standards and Approvals:

- Single and three phase motors are UL component recognized – file number E57948, guide number PRGY2.
- CSA Energy Efficiency Verification Program, report number EEV 78720-1
- Construction is CSA Certified for safety report number LR33543 and listed under BISSC authorization number 769

Washguard Motors

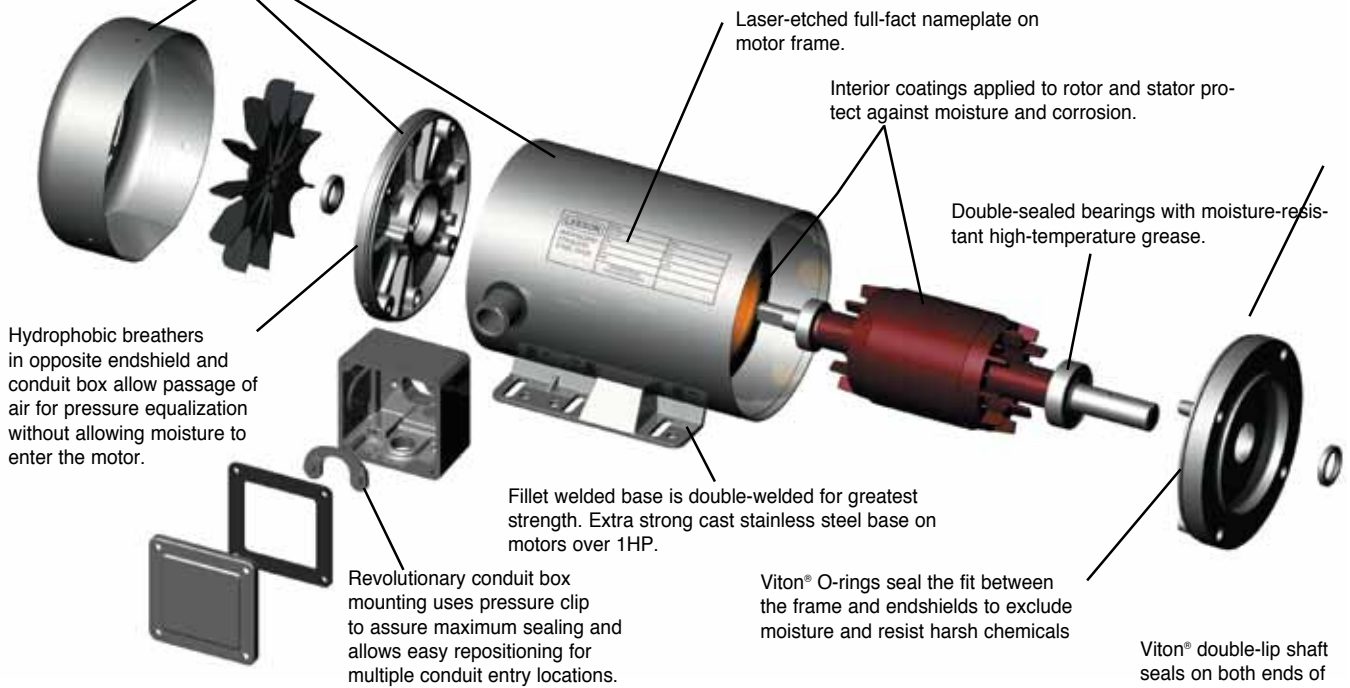
Premium - All Stainless Motors

Single-Phase & Three-Phase

Premium Stainless Duck



300-Series stainless steel exterior components – frame, base, endshields, shaft extension, fan guard, hardware, conduit box and cover – for maximum corrosion resistance.



Automotive
Duty Motors

Pump
Motors

Washguard
Motors

Agricultural
Motors

HVAC / Fan
Motors

Special Voltage
Motors

Definite
Purpose Motors

Brake Motors

IEC Motors



Washguard Motors

Premium - All-Stainless Motors



Three Phase - TENV/TEFC - C Face Less Base

HP	SYN RPM 60 Hz	NEMA Frame	Catalog Number	Stock	List Price	Model Number	App. Wgt. (lbs)	Voltage	F. L. Amps @ 230 V	% F.L. Eff.	Service Factor	"C" Dim. (Inches)	♥Notes
1/2	3600	56HC	117269.00	√	1284	CZ6T34VK19	35	208-230/460	1.6	82.5	1.15	12.04	S, US, 12
	1800	S56C	103387.00	√	1288	CZ4T17VK2	31	208-230/460	1.6	76.0	1.15	11.49	S, US, 12
	1800	56HC	117266.00	√	1377	CZ6T17VK46	35	208-230/460	1.6	78.5	1.15	12.54	S, US, 12
	1200	56HC	117762.00	√	1377	CZ6T17VK52	36	208-230/460	1.6	78.5	1.15	13.13	S, US, 13
	1200	56HC	117275.00	√	1716	CZ6T11VK5	35	208-230/460	2.3	77.0	1.15	12.54	S, US, 12
3/4	3600	56HC	117271.00	√	1330	CZ6T34VK20	40	208-230/460	2.4	84.0	1.15	12.54	S, US, 12
	1800	S56C	103388.00	√	1336	CZ4T17WK1	28	208-230/460	2.3	77.0	1.15	12.50	S, US, 13
	1800	56HC	117267.00	√	1428	CZ6T17VK47	41	208-230/460	2.3	80.0	1.15	13.04	S, US, 12
	1200	56HC	117276.00	√	1773	CZ6T11VK6	46	208-230/460	3	78.5	1.15	14.04	S, US, 12
1	3600	56HC	117273.00	√	1455	CZ6T34VK21	43	208-230/460	2.6	85.5	1.15	13.04	S, US, 12
	1800	56HC	115635.00	√	1461	CZ6T17VK8	44	208-230/460	3.0	81.5	1.15	13.54	S, US, 6, 12
	1800	56HC	117286.00	√	1502	CZ6T17WK28	39	208-230/460	3.1	82.5	1.15	13.13	S, US, 13
	1800	143TC	121795.00	√	1461	CZ143T17VK8	44	208-230/460	3.0	81.5	1.15	13.61	S, US, 12
	1800	143TC	121873.00	√	1728	CZ143T17WK12	50	208-230/460	3.1	85.5	1.15	13.19	S, US, 13
	1200	56HC	117277.00	√	1817	CZ6T11WK7	48	208-230/460	4.0	77.0	1.15	13.13	S, US, 13
	1200	56HC	117284.00	√	1536	CZ6T17WK26	49	208-230/460	4.4	84.0	1.15	13.63	S, US, 13
1 1/2	3600	143TC	121874.00	√	1741	CZ143T34WK7	45	208-230/460	4.0	84.0	1.15	13.69	S, US, 13
	1800	56HC	117284.00	√	1536	CZ6T17WK26	49	208-230/460	4.4	84.0	1.15	13.63	S, US, 13
	1800	145TC	121875.00	√	1767	CZ145T17WK32	49	208-230/460	4.4	86.5	1.15	13.69	S, US, 13
	1200	56HC	117278.00	√	1889	CZ6T11WK8	51	208-230/460	5.4	80.0	1.15	14.13	S, US, 13
2	3600	145TC	121876.00	√	2067	CZ145T34WK18	49	208-230/460	5.2	85.5	1.25	13.69	S, US, 13
	1800	56HC	117285.00	√	1817	CZ6T17WK27	50	208-230/460	5.6	84.0	1.15	13.63	S, US, 13
	1800	145TC	121877.00	√	2089	CZ145T17WK33	50	208-230/460	5.6	86.5	1.25	13.69	S, US, 13
3	3600	145TC	121878.00	√	2488	CZ145T34WK27	53	208-230/460	7.6	86.5	1.15	13.69	S, US, 13
	1800	182TC	132206.00	√	2624	C185T17WK14	85	208-230/460	8.2	89.5	1.15	14.77	S, MX, 13
5	3600	184TC	132207.00	√	2974	C184T34WK11	90	208-230/460	12.0	88.5	1.25	14.77	S, MX, 13
	1800	184TC	132208.00	√	2911	C184T17WK16	96	208-230/460	13.0	89.5	1.15	15.27	S, MX, 13
7 1/2	3600	213TC	140825.00	√	4140	C213T34WK4	160	208-230/460	18.4	89.5	1.15	18.69	S, MX, 13
	1800	213TC	140826.00	√	4674	C213T17WK10	160	208-230/460	20.4	91.7	1.15	18.69	S, MX, 13
10	3600	215TC	140827.00	√	4257	C215T34WK11	165	208-230/460	24.0	90.2	1.15	18.69	S, MX, 13
	1800	215TC	140828.00	√	4814	C215T17WK10	173	208-230/460	26.0	91.7	1.15	18.69	S, MX, 13

Green items are Premium Efficient

♥ Note listing on inside back flap

Specifications are subject to change without notice



View On-line Technical Information



Washguard Motors

Premium - All-Stainless Motors

Three Phase - TENV/TEFC - C Face Less Base

HP	SYN RPM 60 Hz	NEMA Frame	Catalog Number	Stock	List Price	Model Number	App. Wgt. (lbs)	Voltage	F. L. Amps @ 230 V	% F.L. Eff.	Service Factor	"C" Dim. (Inches)	♥Notes
1/3	1800	48C	103393.00	√	1089	CZ4T17VC7	25	208-230/460	1.3	70.5	1.15	9.83	S, US, 12
1/2	3600	56C	117279.00	√	1261	CZ6T34VC22	35	208-230/460	1.6	82.5	1.15	12.04	S, US, 12
	1800	48C	103394.00	√	1113	CZ4T17VC3	27	208-230/460	1.6	76.0	1.15	11.58	S, US, 12
	1800	S56C	103389.00	√	1272	CZ4T17VC4	30	208-230/460	1.6	76.0	1.15	11.49	S, US, 12
	1800	56C	117270.00	√	1349	CZ6T17VC56	34	208-230/460	1.6	78.5	1.15	12.54	S, US, 12
3/4	3600	56C	117280.00	√	1304	CZ6T34VC23	40	208-230/460	2.4	84.0	1.15	12.54	S, US, 12
	1800	S56C	103390.00	√	1302	CZ4T17WC1	33	208-230/460	2.3	77.0	1.15	12.50	S, US, 13
	1800	56C	117272.00	√	1392	CZ6T17VC57	40	208-230/460	2.3	80.0	1.15	13.04	S, US, 12
1	3600	56C	117281.00	√	1429	CZ6T34VC24	43	208-230/460	2.6	85.5	1.15	13.04	S, US, 12
	1800	56C	117274.00	√	1438	CZ6T17VC58	44	208-230/460	3.0	81.5	1.15	13.54	S, US, 12
	1800	56HC	117287.00	√	1438	CZ6T17WC30	45	208-230/460	3.1	82.5	1.15	13.13	S, US, 13
	1800	143TC	121796.00	√	1438	CZ143T17VC9	44	208-230/460	3.0	81.5	1.15	13.61	S, US, 12
	1800	143TC	G121659.00	√	1438	CZ143T17WC13	51	208-230/460	3.0	82.5	1.15	13.19	S, US, 13
1 1/2	3600	143TC	G121560.00	√	1439	CZ143T34WC7	52	208-230/460	4.0	82.5	1.15	13.69	S, US, 13
	1800	56C	117282.00	√	1466	CZ6T17WC28	49	208-230/460	4.4	84.0	1.15	13.63	S, US, 13
	1800	145TC	G121525.00	√	1466	CZ145T17WC39	55	208-230/460	5.2	84.0	1.15	13.69	S, US, 13
2	3600	145TC	G121561.00	√	1765	CZ145T34WC20	54	208-230/460	5.6	84.0	1.15	13.69	S, US, 13
	1800	56C	117283.00	√	1778	CZ6T17WC29	49	208-230/460	5.6	84.0	1.15	13.63	S, US, 13
	1800	145TC	G121527.00	√	1778	CZ145T17WC40	60	208-230/460	5.6	84.0	1.15	13.69	S, US, 13
3	3600	145TC	G121562.00	√	2123	CZ145T34WC21	55	208-230/460	7.6	85.5	1.15	13.69	S, US, 13
	1800	182TC	G131923.00	√	2139	C182T17WC10	88	208-230/460	8.2	87.5	1.15	14.77	S, MX, 13
5	3600	184TC	G131949.00	√	2424	C184T34WC8	98	208-230/460	12.0	87.5	1.15	14.77	S, MX, 13
	1800	184TC	G131924.00	√	2441	C184T17WC9	102	208-230/460	13.0	87.5	1.15	15.27	S, MX, 13

Specifications are subject to change without notice

♥ Note listing on inside back flap

Single Phase - TENV/TEFC - C Face With Base

HP	SYN RPM 60 Hz	NEMA Frame	Catalog Number	Stock	List Price	Model Number	App. Wgt. (lbs)	Voltage	Over-load Prot.	F. L. Amps @ 230 V	Service Factor	"C" Dim. (Inches)	♥Notes
1/3	1800	56HC	116343.00	√	1441	NZ6C17VK1	35	115/208-230	None	2.7	1.15	12.20	S, US, 6, 12
1/2	3600	56HC	116344.00	√	1425	NZ6C34VK2	38	115/208-230	None	3.8	1.15	12.20	S, US, 6, 12
	1800	56HC	116345.00	√	1461	NZ6C17VK2	38	115/208-230	None	3.3	1.15	12.70	S, US, 6, 12
3/4	1800	56HC	116346.00	√	1544	NZ6K17VK2	42	115/208-230	None	3.8	1.15	12.70	S, US, 6, 12
1	3600	56HC	116347.00	√	1617	NZ6C34VK1	49	115/208-230	None	6.0	1.15	13.70	S, US, 6, 12
	1800	56HC	116348.00	√	1606	NZ6K17VK1	49	115/208-230	None	4.5	1.15	13.70	S, US, 6, 12
1 1/2	3600	56HC	116482.00	√	1694	CZ6K34WK1	49	115/208-230	None	6.8	1.15	13.81	S, US, 13
	1800	145TC	121622.00	√	1669	CZ145K17WK2	53	115/208-230	None	7.4	1.15	14.81	S, US, 13
2	3600	145TC	121623.00	√	1850	CZ145K34WK1	57	115/208-230	None	8.8	1.15	14.81	S, US, 13
	1800	145TC	121632.00	√	1925	CZ145K17WK1	57	115/208-230	None	10.0	1.15	14.81	S, US, 13

Specifications are subject to change without notice

♥ Note listing on inside back flap

Single Phase - TENV/TEFC - C Face With Base

HP	SYN RPM 60 Hz	NEMA Frame	Catalog Number	Stock	List Price	Model Number	App. Wgt. (lbs)	Voltage	Over-load Prot.	F. L. Amps @ 230 V	Service Factor	"C" Dim. (Inches)	♥Notes
1/3	1800	56C	116349.00	√	1410	NZ6C17VC1	35	115/208-230	None	2.7	1.15	11.70	S, US, 12
1/2	1800	56C	116350.00	√	1437	NZ6C17VC2	38	115/208-230	None	3.3	1.15	12.70	S, US, 12
3/4	1800	56C	116351.00	√	1513	CZ6K17VC2	42	115/208-230	None	3.8	1.15	12.70	S, US, 12
1	1800	56C	116352.00	√	1566	CZ6K17VC1	49	115/208-230	None	4.5	1.15	13.70	S, US, 12
1 1/2	1800	145TC	121624.00	√	1591	CZ145K17WC2	53	115/208-230	None	7.4	1.15	14.87	S, US, 13
2	1800	145TC	121633.00	√	1830	CZ145K17WC1	57	115/208-230	None	10.0	1.15	14.87	S, US, 13

Specifications are subject to change without notice

♥ Note listing on inside back flap

View On-line Technical Information



Automotive Duty Motors
 Pump Motors
 Washguard Motors
 Agricultural Motors
 HVAC / Fan Motors
 Special Voltage Motors
 Definite Purpose Motors
 Brake Motors
 IEC Motors

Washguard Motors

Stainless Steel Brakemotors



Three Phase - TENV/TEFC - C Face Less Base

HP	SYN RPM	NEMA Frame	Brake Rating (ft-lbs)	Catalog Number	Stock	List Price	Model Number	App. Wgt. (lbs)	Voltage	F. L. Amps @ 230 V	% F.L. Eff.	Service Factor	"C" Dim. (Inches)	♥Notes
1/2	1800	56C	3	116483.00	✓	5035	CZ6T17VK31	59	208-230/460	1.6	78.5	1.15	15.85	S, US, 12
1	1800	56C	6	116484.00	✓	5305	CZ6T17VK32	69	208-230/460	3.0	81.5	1.15	15.85	S, US, 12

Specifications are subject to change without notice

♥ Note listing on inside back flap

Three Phase - TENV/TEFC - C Face Less Base

HP	SYN RPM	NEMA Frame	Catalog Number	Stock	List Price	Model Number	App. Wgt. (lbs)	Voltage	F. L. Amps @ 230 V	% F.L. Eff.	Service Factor	"C" Dim. (Inches)	♥Notes
1	1800	143JM	G121626.00	✓	1496	CZ143T17WK18	55	208-230/460	3.0	82.5	1.15	16.00	S, US
1 1/2	3600	143JM	G121627.00	✓	1497	CZ143T34WK11	55	208-230/460	4.0	82.4	1.15	16.00	S, US
	1800	145JM	G121628.00	✓	1527	CZ145T17WK45	56	208-230/460	4.4	84.0	1.15	16.00	S, US
2	3600	145JM	G121629.00	✓	1778	CZ145T34WK24	56	208-230/460	5.2	84.0	1.15	16.00	S, US
	1800	145JM	G121630.00	✓	1797	CZ145T17WK46	57	208-230/460	5.6	84.0	1.15	16.50	S, US
3	3600	145JM	G121631.00	✓	2138	CZ145T34WK25	57	208-230/460	7.6	85.5	1.15	16.50	S, US
	1800	182JM	G131996.00	✓	2262	C182T17WK16	85	208-230/460	8.2	87.5	1.15	16.20	S, MX
5	3600	184JM	G131997.00	✓	2494	C184T34WK14A	90	208-230/460	12.0	87.5	1.15	16.20	S, MX
	1800	184JM	G131998.00	✓	2508	C184T17WK18A	96	208-230/460	13.0	87.5	1.15	16.77	S, MX
7 1/2	3600	213JM	G140740.00	✓	3799	C213T34WK5	160	208-230/460	18.4	88.5	1.15	16.81	S, MX
	1800	213JM	G140741.00	✓	3882	C213T17WK14	162	208-230/460	20.4	89.5	1.15	19.81	S, MX
10	3600	215JM	G140742.00	✓	3932	C215T34WK12	165	208-230/460	24.0	89.5	1.15	19.81	S, MX
	1800	215JM	G140743.00	✓	4003	C215T17WK13	173	208-230/460	26.0	89.5	1.15	19.81	S, MX

Specifications are subject to change without notice

♥ Note listing on inside back flap



View On-line Technical Information



Automotive
Duty Motors

Pump
Motors

Washguard
Motors

Agricultural
Duty Motors

HVAC / Fan
Motors

Special Voltage
Motors

Definite
Purpose Motors

Brake Motors

IEC Motors

Washguard Motors

IEC Washguard All-Stainless AC Motors



IEC B5 Flange - Round Body - Three Phase - TENV/TEFC - C Face Less Base

HP	SYN RPM 60 Hz	NEMA Frame	Catalog Number	Stock	List Price	Model Number	App. Wgt. (lbs)	Voltage	F. L. Amps @ 230 V	% F.L. Eff.	Service Factor	"C" Dim. (Inches)	♥Notes
1/3-0.25	1800	71	103403.00	√	1331	CZ4T17VZ16	30	208-230/460	1.3	70.5	1.15	9.87	S, US, 12
	1800	80	103405.00	√	1331	CZ4T17VZ17	30	208-230/460	1.3	70.5	1.15	9.87	S, US, 12
1/2-0.37	1800	71	103404.00	√	1377	CZ4T17VZ6	32	208-230/460	1.6	76.0	1.15	11.62	S, US, 12
	1800	80	103406.00	√	1377	CZ4T17VZ7	32	208-230/460	1.6	76.0	1.15	11.62	S, US, 12
3/4-0.55	1800	80	103407.00	√	1459	CZ4T17WZ9	38	208-230/460	2.3	77.0	1.15	12.26	S, US, 13
1- 0.75	1800	90	117516.00	√	1551	CZ6T17WC44	45	208-230/460	3.1	82.5	1.15	13.13	S, US, 13
1.5 - 1.1	1800	90	117517.00	√	1636	CZ6T17WC46	49	208-230/460	4.4	84.0	1.15	13.63	S, US, 13
2 - 1.5	1800	90	117518.00	√	1817	CZ6T17WC45	49	208-230/460	5.6	84.0	1.15	13.63	S, US, 13

Specifications are subject to change without notice

♥ Note listing on inside back flap

IEC B14 Flange - Round Body - Three Phase - Totally Enclosed - B14 Flange Less Base

HP	SYN RPM 60 Hz	NEMA Frame	Catalog Number	Stock	List Price	Model Number	App. Wgt. (lbs)	Voltage	F. L. Amps @ 230 V	% F.L. Eff.	Service Factor	"C" Dim. (Inches)	♥Notes
1/3-0.25	1800	71	103395.00	√	1331	CZ4T17VZ13	30	208-230/460	1.3	70.5	1.15	9.83	S, US, 12
	1800	80	103397.00	√	1331	CZ4T17VZ14	30	208-230/460	1.3	70.5	1.15	9.72	S, US, 12
1/2-0.37	1800	71	103396.00	√	1377	CZ4T17VZ3	32	208-230/460	1.6	76.0	1.15	11.58	S, US, 12
	1800	80	103398.00	√	1377	CZ4T17VZ4	32	208-230/460	1.6	76.0	1.15	11.58	S, US, 12
3/4-0.55	1800	80	103399.00	√	1459	CZ4T17WZ7	38	208-230/460	2.3	77.0	1.15	12.48	S, US, 13

Specifications are subject to change without notice

♥ Note listing on inside back flap

IEC B5 Flange - Rigid Base - Three Phase - Totally Enclosed - B5 Flange With Base

HP	SYN RPM 60 Hz	NEMA Frame	Catalog Number	Stock	List Price	Model Number	App. Wgt. (lbs)	Voltage	F. L. Amps @ 230 V	% F.L. Eff.	Service Factor	"C" Dim. (Inches)	♥Notes
1/3-0.25	1800	80	103408.00	√	1353	CZ4T17VZ18	30	208-230/460	1.3	70.5	1.15	9.50	S, US, 12
1/2-0.37	1800	80	103409.00	√	1396	CZ4T17VZ8	32	208-230/460	1.6	76.0	1.15	12.75	S, US, 12
3/4-0.55	1800	80	103410.00	√	1488	CZ4T17WZ10	38	208-230/460	2.3	77.0	1.15	12.26	S, US, 13

Specifications are subject to change without notice

♥ Note listing on inside back flap

IEC B5 Flange - Rigid Base - Three Phase - Totally Enclosed - B5 Flange With Base

HP	SYN RPM 60 Hz	NEMA Frame	Catalog Number	Stock	List Price	Model Number	App. Wgt. (lbs)	Voltage	F. L. Amps @ 230 V	% F.L. Eff.	Service Factor	"C" Dim. (Inches)	♥Notes
1/3-0.25	1800	80	103400.00	√	1377	CZ4T17VZ15	31	208-230/460	1.3	70.5	1.15	9.72	S, US, 12
1/2-0.37	1800	80	103401.00	√	1521	CZ4T17VZ5	33	208-230/460	1.6	76.0	1.15	11.58	S, US, 12
3/4-0.55	1800	80	103402.00	√	1575	CZ4T17WZ8	39	208-230/460	2.3	77.0	1.15	12.48	S, US, 13

Specifications are subject to change without notice

♥ Note listing on inside back flap

View On-line Technical Information



Automotive Duty Motors

Pump Motors

Washguard Motors

Agricultural Motors

HVAC / Fan Motors

Special Voltage Motors

Definite Purpose Motors

Brake Motors

IEC Motors

Washguard Motors

NEMA and IEC Washguard

All-Stainless DC Motors - SCR Rated



TEFC - SCR Rated 90 & 180V - NEMA - C Face With Base

HP	Full Load RPM	NEMA Frame	Catalog Number	Stock	List Price	Model Number	App. Wgt. (lbs)	Arm. Volts DC	Control Volts AC Input	F. L. Amps DC	"C" Dim. (Inches)	♥Notes
1/4	1750	S56C	109065.00	√	1299	4D17VK24	38	90	115	3.1	11.81	S, US, 12
1/3	1750	S56C	109066.00	√	1374	4D17VK25	44	90	115	3.8	12.81	S, US, 12
	1750	S56C	109067.00	√	1374	4D17VK26	44	180	230	1.9	12.81	S, US, 12
1/2	1750	S56C	109069.00	√	1605	4D17WK9	46	90	115	5.2	13.87	S, US, 13
	1750	S56C	109070.00	√	1605	4D17WK10	46	180	230	2.7	13.87	S, US, 13
3/4	1750	S56C	109072.00	√	1954	4D17WK13	47	90	115	7.5	15.37	S, US, 13
	1750	S56C	109073.00	√	1954	4D17WK14	48	180	230	3.7	15.37	S, US, 13
1	1750	S56C	109075.00	√	2267	4D17WK16	51	90	115	9.5	16.37	S, US, 13
	1750	S56C	109076.00	√	2267	4D17WK17	50	180	230	5.0	16.37	S, US, 13

Base is welded to frame and not removable

♥ Note listing on inside back flap

Specifications are subject to change without notice



TEFC - SCR Rated 90 & 180V • NEMA - C Face Less Base

HP	Full Load RPM	NEMA Frame	Catalog Number	Stock	List Price	Model Number	App. Wgt. (lbs)	Arm. Volts DC	Control Volts AC Input	F. L. Amps DC	"C" Dim. (Inches)	♥Notes
1/4	1750	S56C	109078.00	√	1268	4D17VC5	38	90	115	3.1	11.81	S, US, 12
1/3	1750	S56C	109079.00	√	1343	4D17VC6	44	90	115	3.8	12.81	S, US, 13
	1750	S56C	109080.00	√	1343	4D17VC7	44	180	230	1.9	12.81	S, US, 13
1/2	1750	S56C	109082.00	√	1575	4D17WC2	46	90	115	5.2	13.87	S, US, 13
	1750	S56C	109083.00	√	1575	4D17WC3	46	180	230	2.7	13.87	S, US, 13
3/4	1750	S56C	109085.00	√	1924	4D17WC5	47	90	115	7.5	15.37	S, US, 13
	1750	S56C	109086.00	√	1924	4D17WC6	48	180	230	3.7	15.37	S, US, 13
1	1750	S56C	109088.00	√	2238	4D17WC8	51	90	115	9.5	16.37	S, US, 13
	1750	S56C	109089.00	√	2238	4D17WC9	50	180	230	5.0	16.37	S, US, 13

Specifications are subject to change without notice

♥ Note listing on inside back flap

Washguard Motors

Metric (IEC) Frame PMDC Motors

All-Stainless DC Motors - SCR Rated

TEFC - SCR Rated 90 & 180V - C Face With Base

HP/kW	Full Load RPM	NEMA Frame	Catalog Number	Stock	List Price	Model Number	App. Wgt. (lbs)	Arm. Volts DC	Control Volts AC Input	F. L. Amps DC	"C" Dim. (Inches)	♥Notes
1/3 - 0.25	1750	80D	109068.00	√	1374	4D17VK27	44	180	230	1.9	12.81	S, US, 12
1/2 - 0.37	1750	80D	109071.00	√	1605	4D17WK11	46	180	230	2.7	13.87	S, US, 13
3/4 - 0.55	1750	80D	109074.00	√	1954	4D17WK15	48	180	230	3.7	15.37	S, US, 13
1 - 0.75	1750	80D	109077.00	√	2267	4D17WK18	50	180	230	5.0	16.37	S, US, 13

Base is welded to frame and not removable
 Specifications are subject to change without notice

♥ Note listing on inside back flap

TEFC - SCR Rated 90 & 180V - Metric (IEC) - All-Stainless Steel - C Face Less Base

HP/kW	Full Load RPM	NEMA Frame	Catalog Number	Stock	List Price	Model Number	App. Wgt. (lbs)	Arm. Volts DC	Control Volts AC Input	F. L. Amps DC	"C" Dim. (Inches)	♥Notes
1/3 - 0.25	1750	80D	109081.00	√	1343	4D17VC8	44	180	230	1.9	12.81	S, US, 12
1/2 - 0.37	1750	80D	109084.00	√	1575	4D17WC4	46	180	230	2.7	13.87	S, US, 13
3/4 - 0.55	1750	80D	109087.00	√	1924	4D17WC7	48	180	230	3.7	15.37	S, US, 13
1 - 0.75	1750	80D	109090.00	√	2238	4D17WC10	50	180	230	5.0	16.37	S, US, 13

Specifications are subject to change without notice

♥ Note listing on inside back flap

Flange And Face Kits For DC Metric (IEC) Frame Motors

The modular design concept of LEESON's other metric DC motors has been applied to the all-stainless metric motors. Any flange or face kit can mount on any motor. This allows the greatest flexibility from the smallest inventory of motors.

B5 Flange Kits (For Stainless DC Metric Motors)

IEC Frame	Catalog Number	List Price	App. Wgt. (lbs)	BD Flange Dia. (mm)	AK Register (mm)	BF Hole (mm)	AJ Bolt Circle (mm)
71	175593.00	173	2	160	110	9	130
80	175594.00	208	3	200	130	12	165
90S/90L	175594.00	208	3	200	130	12	165
100L/112M	175595.00	325	5	250	180	15	215

Specifications are subject to change without notice

♥ Note listing on inside back flap

B14 Flange Kits (For Stainless DC Metric Motors)

IEC Frame	Catalog Number	List Price	App. Wgt. (lbs)	BD Flange Dia. (mm)	AK Register (mm)	BF Hole (mm)	AJ Bolt Circle (mm)
71	175596.00	131	1	105	70	6	85
80	175597.00	131	1	120	80	6	100
90S/90L	175598.00	358	1	140	95	6	115
100L/112M	175599.00	325	2	160	110	6	130

Specifications are subject to change without notice

♥ Note listing on inside back flap

View On-line Technical Information



Automotive Duty Motors

Pump Motors

Washguard Motors

Agricultural Motors

HVAC / Fan Motors

Special Voltage Motors

Definite Purpose Motors

Brake Motors

IEC Motors

Washguard Motors

Extreme Duck Washguard All-Stainless Motors Three Phase - Standard, EPACT & NEMA Premium Ratings



General Specifications: These Revolutionary Designed Stainless Steel Motors are built using our "Voice of the customer" design.

criteria to withstand extreme washdown and sanitation requirements of the food processing, pharmaceutical, packaging and beverage industries. Our Innovative Hydro Sealed System "HS²™" protects from the "outside-in" by reducing entrance points of contaminants and eliminates the need for drain plugs and breathers. This proven process also minimizes exterior hardware, which may trap application elements. Our unique Rotor/Cartridge Seal System, "Q-CAR™" gives quick access to the interior of the motor should the need arise. 300-Series Stainless Steel used on all exterior surfaces gives ideal protection against severe chemical-processing applications and frequent washdown processes using Salt water, Nitric Acids and Solvents.

Mechanical Protection Features:

- All exterior components are 300-Series stainless steel
- Protech Bearing isolator used for the output shaft seal
- Double Lip Viton shaft seal used on non-drive output shaft on TEFC motors
- Minimal exterior fasteners due to no through-bolt design and screw on conduit box covers reduces surface areas that may trap contaminants
- Double-sealed bearings are pre-lubricated with moisture resistant, high temperature grease for long life
- Rotor/Cartridge, "Q-CAR™," design for quick access to motor interior (patent pending).
- O-ring sealed openings on conduit box covers and Rotor/Cartridge cover
- Rigid Cast Base for rugged applications
- Conduit box lead hole location rotatable on TEFC designs
- Full fact nameplate is laser etched to the motor frame making frame surface smooth, which eliminates areas that trap contaminants
- Ease of clean construction is BISSC certified for bakery applications and motors meet Pharmaceutical Duty specifications
- IP 56 Enclosure protection

Electrical Performance and Protection Features:

- Motors meet EPACT mandates for non-exempt motors when tested without shaft seals
- Total winding encapsulation using an Epoxy Resin
- LEESON's exclusive IRIS™ Inverter-Rated Insulation System provides extra protection and long life, especially when used in applications driven by an Inverter
- 3 year warranty
- 10:1 constant torque operation

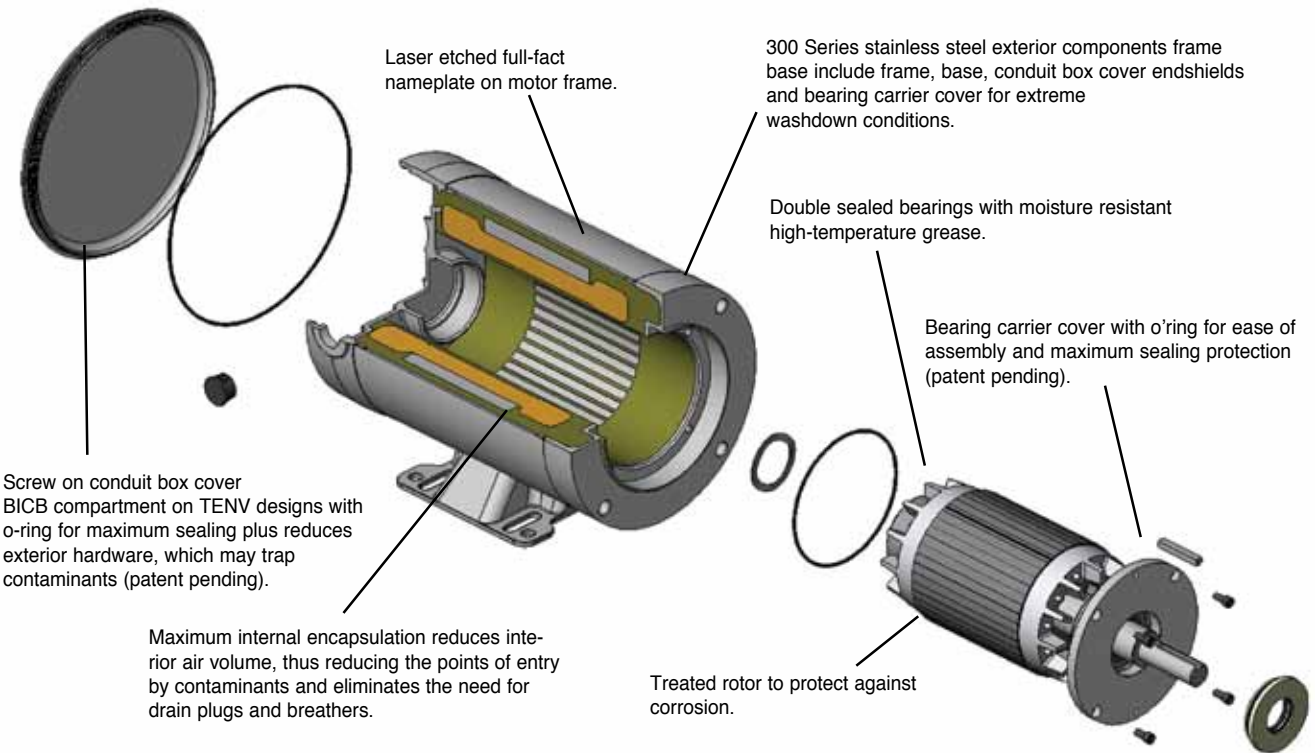
Standards and Approvals

- Motors are UL component recognized – file number E57948, guide number PRGY2
- CSA Energy Efficiency Verification Program, report number EEV 78720-1
- Construction is CSA Certified for safety, report number LR33543 and listed under BISSC authorization number 769

Washguard Motors

Extreme Duck Washguard All-Stainless Motors Three Phase - Standard, EPACT & NEMA Premium

ExtremeDuck



Automotive
Duty Motors

Pump
Motors

Washguard
Motors

Agricultural
Motors

HVAC / Fan
Motors

Special Voltage
Motors

Definite
Purpose Motors

Brake Motors

IEC Motors



Washguard Motors

Extreme Duck Washguard All-Stainless Motors

Three Phase - Standard, EPACT & NEMA Premium Ratings

IEC B5 Flange - Rigid Base - Three Phase - Totally Enclosed - B5 Flange With Base

HP	SYN RPM 60 Hz	NEMA Frame	Catalog Number	Stock	List Price	Model Number	App. Wgt. (lbs)	Voltage	F. L. Amps @ 230 V	% F.L. Eff.	Service Factor	"C" Dim. (Inches)	♥Notes
1/2	3600	56C	117118.00	✓	1439	CZ6T34VK16	39	208-230/460	1.6	82.5	1.15	10.47	S, US, 12
	1800	S56C	103411.00	✓	1422	CZ4T17VK1	33	208-230/460	1.6	76.0	1.15	11.49	S, US, 12
	1800	56C	117119.00	✓	1513	CZ6T17VK43	40	208-230/460	1.6	78.5	1.15	10.72	S, US, 12
3/4	3600	56C	117120.00	✓	1488	CZ6T34VK17	46	208-230/460	2.4	84.0	1.15	10.47	S, US, 12
	1800	S56C	103412.00	✓	1513	CZ4T17WK2	39	208-230/460	2.3	77.0	1.15	12.50	S, US, 13
	1800	56C	117121.00	✓	1571	CZ6T17VK44	47	208-230/460	2.3	80.0	1.15	11.22	S, US, 12
1	3600	56C	117122.00	✓	1598	CZ6T34VK18	48	208-230/460	2.6	85.5	1.15	10.97	S, US, 12
	1800	56C	117123.00	✓	1608	CZ6T17VK45	50	208-230/460	3.0	81.5	1.15	11.97	S, US, 12
1 1/2	3600	143TC	121879.00	✓	1814	CZ143T34WK8	54	208-230/460	4.0	84.0	1.15	11.75	S, US, 13
	3600	143TC	G121748.00	✓	1697	CZ143T34WK4	54	208-230/460	4.0	82.5	1.15	11.00	S, US, 13
	1800	56C	117296.00	✓	1690	CZ6T17WK30	56	208-230/460	4.4	84.0	1.15	11.69	S, US, 13
	1800	145TC	121880.00	✓	1808	CZ143T17WK13	56	208-230/460	4.4	86.5	1.15	12.75	S, US, 13
	1800	145TC	G121749.00	✓	1690	CZ143T17WK8	56	208-230/460	4.4	84.0	1.15	11.25	S, US, 13
2	3600	145TC	121881.00	✓	2096	CZ145T34WK19	56	208-230/460	5.2	85.5	1.15	12.75	S, US, 13
	3600	145TC	G121739.00	✓	1959	CZ145T34WK10	56	208-230/460	5.2	84.0	1.15	12.50	S, US, 13
	1800	56C	117299.00	✓	1981	CZ6T17WK29	57	208-230/460	5.6	84.0	1.15	12.69	S, US, 13
	1800	145TC	121882.00	✓	2119	CZ145T17WK34	57	208-230/460	5.6	86.5	1.15	13.25	S, US, 13
	1800	145TC	G121740.00	✓	1981	CZ145T17WK25	57	208-230/460	5.6	84.0	1.15	12.50	S, US, 13

Green items are Premium Efficient

♥ Note listing on inside back flap

Specifications are subject to change without notice

IEC B5 Flange - Rigid Base - Three Phase - Totally Enclosed - B5 Flange With Base

HP	SYN RPM 60 Hz	NEMA Frame	Catalog Number	Stock	List Price	Model Number	App. Wgt. (lbs)	Voltage	F. L. Amps @ 230 V	% F.L. Eff.	Service Factor	"C" Dim. (Inches)	♥Notes
1/3	1800	48C	103417.00	✓	1443	CZ4T17VC8	30	208-230/460	1.3	9.58	1.15	9.58	S, US, 12
1/2	3600	56C	117126.00	✓	1410	CZ6T34VC19	38	208-230/460	1.6	10.47	1.15	10.47	S, US, 12
	1800	48C	103418.00	✓	1502	CZ4T17VC2	32	208-230/460	1.6	11.33	1.15	11.33	S, US, 12
	1800	S56C	103413.00	✓	1336	CZ4T17VC1	32	208-230/460	1.6	11.49	1.15	11.49	S, US, 12
	1800	56C	117127.00	✓	1485	CZ6T17VC53	39	208-230/460	1.6	10.72	1.15	10.72	S, US, 12
3/4	3600	56C	117128.00	✓	1459	CZ6T34VC20	45	208-230/460	2.4	10.47	1.15	10.47	S, US, 12
	1800	S56C	103414.00	✓	1416	CZ4T17WC2	38	208-230/460	2.3	12.50	1.15	12.50	S, US, 13
	1800	56C	117129.00	✓	1544	CZ6T17VC54	46	208-230/460	2.3	11.22	1.15	11.22	S, US, 12
1	3600	56C	117130.00	✓	1569	CZ6T34VC21	47	208-230/460	2.6	10.97	1.15	10.97	S, US, 12
	1800	56C	117131.00	✓	1581	CZ6T17VC55	50	208-230/460	3.0	11.69	1.15	11.69	S, US, 12
1 1/2	3600	143TC	121908.00	✓	1784	CZ143T34WC6	53	208-230/460	4.0	11.75	1.15	11.75	S, US, 13
	3600	143TC	121750.00	✓	1669	CZ143T34WC2	53	208-230/460	4.0	11.00	1.15	11.00	S, US, 13
	1800	56C	117297.00	✓	1663	CZ6T17WC32	55	208-230/460	4.4	11.69	1.15	11.69	S, US, 13
	1800	145TC	121909.00	✓	1779	CZ143T17WC11	55	208-230/460	4.4	12.75	1.15	12.75	S, US, 13
	1800	145TC	121751.00	✓	1663	CZ143T17WC5	55	208-230/460	4.4	11.25	1.15	11.25	S, US, 13
2	3600	145TC	121910.00	✓	2067	CZ145T34WC18	55	208-230/460	5.2	12.75	1.15	12.75	S, US, 13
	3600	145TC	121742.00	✓	1933	CZ145T34WC10	55	208-230/460	5.2	12.50	1.15	12.50	S, US, 13
	1800	145TC	121743.00	✓	1954	CZ145T17WC22	56	208-230/460	5.6	12.50	1.15	12.50	S, US, 13
	1800	145TC	121911.00	✓	2090	CZ145T17WC36	56	208-230/460	5.6	13.25	1.15	13.25	S, US, 13
	1800	56C	117298.00	✓	1954	CZ6T17WC33	56	208-230/460	5.6	12.69	1.15	12.69	S, US, 13

Green items are Premium Efficient

♥ Note listing on inside back flap

Specifications are subject to change without notice



View On-line Technical Information



Washguard Motors

Features Comparison



Feature	White Duck	Super Duck	SST Duck	Stainless Duck	Extreme Duck
Sealed Bearings	■	■	■	■	■
Potted Lead Entrance					■
Complete Motor Encapsulation					■
Nameplate Etched in Frame	■	■	■	■	■
Interior Corrosion Protected	■	■	■	■	
Motor Breathe Plugs/Drain Plugs	■	■	■	■	Not Needed for total encapsulation
Internally Locked Shaft-End Bearing	■	■	■	■	■
Shaft Seals on Both Ends of TEFC Motors	■	■	■	■	■
Viton® Seals Between Endbells and Frame				■	■
UL, CSA Listed	■	■	■	■	■
60Hz and 50Hz Data on Nameplate	■	■	■	■	■
CE Mark on Nameplate	■	■	■	■	■
O-Ring Sealed Openings				■	■
Standard Motors Include Inverter-Rated Insulation System and Marked on Nameplate—1HP and Higher	■	■	■	■	■
Local Inventory Support	■	■	■	■	
Rotor Cartridge Change-Out				■ ①	■
BISSC Approved		■			■
3-Year Warranty	■ ②	■ ②	■ ②	■ ②	■
Screw On Conduit Box Cover				■ ①	■
Pump Motor Designs	■			■	
Breakmotor Designs	■			■	
DC Motors Available	■			■	
Metric Designs Available				■	

① 56/143/145T Frame Ratings ② Premium Efficient Motors

- Automotive Duty Motors
- Pump Motors
- Washguard Motors
- Agricultural Motors
- HVAC / Fan Motors
- Special Voltage Motors
- Definite Purpose Motors
- Brake Motors
- IEC Motors



Agricultural Duty Motors - General Purpose & Definite Purpose

Automotive
Duty Motors

Pump
Motors

Washguard
Motors

Agricultural
Duty Motors

HVAC / Fan
Motors

Special Voltage
Motors

Definite
Purpose Motors

Brake Motors

IEC Motors



- Gasketed capacitor cases and conduit box covers
- Meets or exceeds NEMA service factors
- Single phase and three phase designs
- Double sealed ball bearings
- Double shielded ball bearings on Ag fan motors
- Condensate drains on general purpose Ag motors
- Low temperature manual overload protected
- High and extra high starting torque ratings
- UL recognized component listing and CSA certified
- 1-year warranty

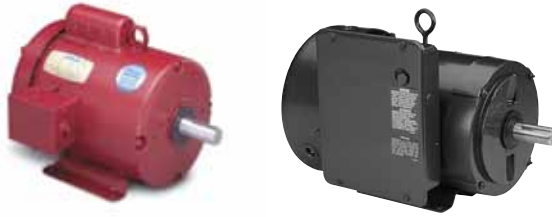
Applications:

For use where exposure to water, dust and dirt exists. Ideally suited for use Farm / Ag equipment such as feeders, conveyors, fans, grain elevators, silo unloaders, and other demanding farm duty equipment.



Agricultural Duty Motors

High Torque - General Purpose



Single Phase - TEFC - Rigid Base

HP	SYN RPM 60 Hz	NEMA Frame	▼ Catalog Number	Stock	List Price	Model Number	App. Wgt. (lbs)	Voltage	Over-load Prot.	F. L. Amps @ 230 V	Service Factor	"C" Dim. (Inches)	♥Notes
1/3	1800	56	113256.00	√	449	M6C17FB66	20	115/208-230	Man.	3.2	1.15	10.81	S, US,
	1800	56	LM24789	√	453	SRF4S0.33T1C6028AP7TP1	24	115/208-230	Man.	3.3	1.15	12.82	S, MX
1/2	1800	56	110086.00	√	523	M6C17FB11	22	115/208-230	Man.	4.4	1.15	10.81	S, US,
	1800	56	LM24790	√	532	SRF4S0.5T1C6028AP7TP1	25	115/208-230	Man.	4.4	1.15	11.82	S, MX
3/4	1800	56	110087.00	√	618	M6C17FB9	26	115/208-230	Man.	5.4	1.15	11.31	S, US,
	1800	56	LM24791	√	626	SRF4S0.75T1C6028AP7TP1	30	115/208-230	Man.	5.5	1.15	12.32	S, MX
1	1800	56	110088.00	√	710	M6C17FB10	30	115/208-230	Man.	7.0	1.15	11.81	S, US,
	1800	56	LM24792	√	715	SRF4S1T1C6028AP7TP1	32	115/208-230	Man.	6.7	1.15	12.82	S, MX
	1800	143T	121569.00	√	715	M143C17FB13	30	115/208-230	Man.	7.0	1.15	12.75	S, US,
	1800	143T	LM24793	√	732	SSF4S1T1C6028AP7TP1	35	115/208-230	Man.	6.7	1.15	12.87	S, MX
1 1/2	1800	56H	110089.00	√	793	M6K17FB3	41	115/208-230	Man.	8.6	1.15	12.61	S, US,
	1800	56H	LM24794	√	807	SRF4S1.5T1B6028AP7TP1	41	115/208-230	Man.	7.6	1.15	13.82	S, MX
	1800	56HZ	113938.00	√	806	M6K17FB39	39	115/208-230	Man.	8.6	1.15	13.25	S, US, 3, 53
	1800	145T	LM24795	√	807	SSF4S1.5T1B6028AP7TP1	42	115/208-230	MAN	7.6	1.15	13.87	S, MX
2	1800	56HZ	110090.00	√	1136	M6K17FB4	43	230	Man.	9.2	1.15	13.75	S, US, 3, 53
	1800	182T	131541.00	√	1211	P182C17FB12	50	115/208-230	Man.	12.4	1.15	14.46	S, MX
	1800	182T	LM24796	C/A	1149	SS182F4S2T1C6027AP7TP1	64	115/208-230	Man.	12.4	1.15	14.46	S, MX
3	1800	184T	131542.00	√	1269	P184C17FB13	83	230	Man.	19.0	1.15	16.46	S, MX
	1800	184T	LM24797	√	1237	SS184F4S3T1C66AP7TP1	92	230	Man.	19.0	1.15	16.46	S, MX
5	1800	184T	131543.00	√	1590	P184K17FB16	96	230	Man.	20.5	1.15	17.46	S, MX, 53
	1800	184T	LM24798	√	1618	SSF4S5T1B66AP71TP1	90	230	Man.	20.5	1.15	17.46	S, MX, 53
7 1/2	1800	215T	140707.00	√	1900	P215K17FB15	144	230	Man.	32.0	1.15	20.21	S, MX, 53
	1800	215T	LM24799	√	1996	SS215F4S7.5T1B66AP7TP1	130	230	Man.	30.0	1.15	21.09	S, MX, 53
10	1800	215T	140706.00	√	2225	P215K17FB16	152	230	Man.	40.0	1.15	20.71	S, MX, 53

▼ LM Numbers are Lincoln Models

♥ Note listing on inside back flap

C/A - Check Availability

Specifications are subject to change without notice

View On-line Technical Information



Automotive Duty Motors

Pump Motors

Washguard Motors

Agricultural Motors

HVAC / Fan Motors

Special Voltage Motors

Definite Purpose Motors

Brake Motors

IEC Motors

Agricultural Duty Motors

ECO-Ag - Premium Efficient Farm Duty Motors

Features:

- Up-to 22% higher efficiency than standard Ag Motors
- Sealed bearings
- Shaft flinger
- High starting torque
- Manual overload protected
- Condensation drains



Single Phase - TEFC - Rigid Base

HP	RPM	Frame	Catalog Number	Stock	List Price	Model Number	App. Wgt. (lbs)	Voltage	Over-load Prot.	F. L. Amps @ 230 V	% F.L. Eff.	Service Factor	"C" Dim. (Inches)	♥Notes
1/3	1800	56	117689.00	✓	493	M6K17FB56	27	115/208-230	Man.	1.7	76.0	1.15	10.99	S, US, 53
1/2	1800	56	117690.00	✓	565	M6K17FB57	30	115/208-230	Man.	2.5	78.0	1.15	11.49	S, US, 53
3/4	1800	56	117691.00	✓	679	M6K17FB60	35	115/208-230	Man.	3.2	82.0	1.15	11.99	S, US, 53
1	1800	56	117692.00	✓	765	M6K17FB58	37	115/208-230	Man.	4.2	83.0	1.15	12.49	S, US, 53
	1800	143T	121973.00	✓	775	M143K17FB3	38	115/208-230	Man.	4.2	83.0	1.15	12.93	S, US, 53
1 1/2	1800	56H	117693.00	✓	872	M6K17FB59	43	115/208-230	Man.	6.5	84.0	1.15	13.49	S, US, 53
	1800	145T	121974.00	✓	886	M143K17FB4	44	115/208-230	Man.	6.5	84.0	1.15	13.93	S, US, 53
2	1800	145T	121975.00	✓	1200	M145K17FB29	49	230	Man.	8.2	85.0	1.15	14.43	S, US, 53

Green items are Premium Efficient

♥ Note listing on inside back flap

Specifications are subject to change without notice

Three Phase Ag Duty Motors - Eco-Ag Designs

Features:

- Premium efficient designs
- Double sealed ball bearings
- Shaft flingers
- Normally closed thermostat protected
- Weep holes provide condensation drains



Three Phase - TEFC - Rigid Base

HP	RPM	Frame	Catalog Number	Stock	List Price	Model Number	App. Wgt. (lbs)	Voltage	Over-load Prot.	F. L. Amps @ 230 V	% F.L. Eff.	Service Factor	"C" Dim. (Inches)	♥Notes
1/2	1800	56	117772.00	✓	550	C6T17TB163	30	208-230/460	T-stat	1.8	77.0	1.15	11.31	S, US
3/4	1800	56	117759.00	✓	602	C6T17FB160A	31	208-230/460	T-stat	2.4	81.5	1.15	11.312	S, US
1	1800	56	117760.00	✓	737	C6T17FB161A	32	208-230/460	T-stat	3.2	85.5	1.15	12.81	S, US
1 1/2	1800	56H	117761.00	✓	752	C6T17FB162A	34	208-230/460	T-stat	4.8	86.5	1.15	13.31	S, US
1 1/2	1800	145T	121997.00	✓	764	C145T17FB98A	35	208-230/460	T-stat	4.8	86.5	1.15	13.75	S, US
2	1800	145T	121998.00	✓	795	C145T17FB99A	45	208-230/460	T-stat	5.8	86.5	1.15	14.76	S, US
3	1800	184T	132328.00	✓	898	C182T17FB54A	80	208-230/460	T-stat	7.8	89.5	1.15	14.96	S, MX
5	1800	184T	132329.00	✓	986	C184T17FB67A	94	208-230/460	T-stat	12.8	89.5	1.15	15.96	S, MX
7 1/2	1800	213T	141145.00	✓	1264	C213T17FB22A	144	208-230/460	T-stat	21.4	91.7	1.15	18.7	S, MX
10	1800	215T	141146.00	✓	1527	C215T17FB23A	161	208-230/460	T-stat	29.0	91.7	1.15	19.7	S, MX

Green items are Premium Efficient

♥ Note listing on inside back flap

Specifications are subject to change without notice



View On-line Technical Information

Agricultural Duty Motors

Extra Hi-Torque



Single Phase - TEFC - Rigid Base

HP	SYN RPM 60 Hz	NEMA Frame	▼ Catalog Number	Stock	List Price	Model Number	App. Wgt. (lbs)	Voltage	Over-load Prot.	F. L. Amps @ 230 V	Service Factor	"C" Dim. (Inches)	♥Notes
2	1800	182T	131541.00	✓	1211	P182C17FB12	50	115/208-230	Man.	12.4	1.15	14.46	S, MX
	1800	182TZ	LM24800	C/A	1134	SS182F4S2TZ1C6027AP8TP-1	67	115/230	Man.	12.8	1.15	15.31	S, MX
3	1800	184T	131542.00	✓	1269	P184C17FB13	83	230	Man.	19.0	1.15	16.46	S, MX
	1800	184T	LM24801	C/A	1299	SS184F4S3T1C66AP8TP1	85	230	Man.	18.0	1.15	16.81	S, MX
5	1800	184T	LM24802	✓	1561	SSF4S5TB6008AP8TP1	125	208-230	Man.	22.5	1.15	17.36	S, MX
	1800	215T	140203.00	✓	1902	P215K17FB3	119	230	Man.	24.0	1.15	18.71	S, MX, 53
	1800	215TZ	140223.00	✓	1937	P215K17FB5	150	230	Man.	24.0	1.15	18.71	S, MX, 4, 53
	1800	213TZ	LM24803	✓	1940	SS213F4S5TZB66AP8TP1-1	126	230	Man.	22.6	1.15	18.34	S, MX, 53
7 1/2	1800	215T	140130.00	✓	2071	P215K17FB2	144	230	Man.	33.6	1.15	20.21	S, MX, 53
	1800	215TZ	140209.00	✓	2232	P215K17FB4	141	230	Man.	33.6	1.15	20.21	S, MX, 4, 53
	1800	215TZ	LM24804	✓	2114	SS215F4S7.5TZ1B66AP8TP1-1	125	230	Man.	30.5	1.15	21.09	S, MX, 53
10	1800	215T	140414.00	✓	2427	P215K17FB6	156	230	Man.	40.0	1.15	20.71	S, MX, 53
	1800	215T	LM24805	✓	2384	SSF4S10T1B66AP8TP1	150	230	Man.	30.5	1.0	21.09	S, MX, 53

▼ LM Numbers are Lincoln Models

♥ Note listing on inside back flap

C/A - Check Availability

Specifications are subject to change without notice

High Torque - C Face Less Base

HP	SYN RPM 60 Hz	NEMA Frame	Catalog Number	Stock	List Price	Model Number	App. Wgt. (lbs)	Voltage	Over-load Prot.	F. L. Amps @ 230 V	Service Factor	"C" Dim. (Inches)	♥Notes
1/3	1800	56C	113290.00	✓	594	M6C17FC59	28	115/208-230	Man.	3.2	1.15	10.81	S, US,
1/2	1800	56C	110492.00	✓	680	M6C17FC12	22	115/208-230	Man.	4.4	1.15	10.81	S, US,
3/4	1800	56C	110493.00	✓	796	M6C17FC13	29	115/208-230	Man.	5.4	1.15	11.31	S, US,
1	1800	56C	110494.00	✓	903	M6C17FC14	33	115/208-230	Man.	7.0	1.15	11.81	S, US,
1 1/2	1800	56C	110495.00	✓	1026	M6K17FC3	43	115/208-230	Man.	8.6	1.15	12.31	S, US, 53
	1800	145TC	120855.00	✓	1332	M145K17FC13	45	230	Man.	9.2	1.15	13.75	S, US, 53
3	1800	184TC	131603.00	✓	1807	P184C17FC5	104	230	Man.	19.0	1.15	16.47	S, MX,
5	1800	184TC	131602.00	✓	2216	P184K17FC7	104	230	Man.	20.5	1.15	17.47	S, MX, 53

Specifications are subject to change without notice

♥ Note listing on inside back flap

High Torque - C-Face With Base

Single Phase - TEFC

HP	SYN RPM 60 Hz	NEMA Frame	Catalog Number	Stock	List Price	Model Number	App. Wgt. (lbs)	Voltage	Over-load Prot.	F. L. Amps @ 230 V	Service Factor	"C" Dim. (Inches)	♥Notes
1/3	1800	56C	116485.00	✓	616	M6C17FK81	29	115/208-230	Man.	3.2	1.15	10.81	S, US,
1/2	1800	56C	116486.00	✓	706	M6C17FK80	23	115/208-230	Man.	4.4	1.15	10.81	S, US,
3/4	1800	56C	116487.00	✓	822	M6C17FK79	30	115/208-230	Man.	5.4	1.15	11.31	S, US,
1	1800	56C	116488.00	✓	933	M6C17FK78	34	115/208-230	Man.	7.0	1.15	11.81	S, US,
1 1/2	1800	56HC	116489.00	✓	1051	M6K17FK47	44	115/208-230	Man.	8.6	1.15	12.81	S, US, 53
2	1800	145TC	121625.00	✓	1339	M145K17FK11	46	230	Man.	9.2	1.15	13.75	S, US, 53
3	1800	184TC	131994.00	✓	1841	P184C17FK10	105	230	Man.	19.0	1.15	16.47	S, MX,
5	1800	184TC	131995.00	✓	2227	P184K17FK13	105	230	Man.	20.5	1.15	17.47	S, MX, 53

Specifications are subject to change without notice

♥ Note listing on inside back flap

View On-line Technical Information



Automotive Duty Motors

Pump Motors

Washguard Motors

Agricultural Motors

HVAC / Fan Motors

Special Voltage Motors

Definite Purpose Motors

Brake Motors

IEC Motors

Agricultural Duty Motors

Fan Duty - Single and Three Phase

Two-Winding Variable Torque PSC Type For Shaft Mounted Fan Application

Features:

- PSC designs offer low in-rush current
- Two speed operation - most ratings
- Automatic overload protected
- Resilient mount for quiet operation
- Corrosion resistant finish



Single Phase - PSC - Variable Torque - TEAO - Resilient Base

HP	SYN RPM 60 Hz	NEMA Frame	Catalog Number	Stock	List Price	Model Number	App. Wgt. (lbs)	Voltage	Over-load Prot.	F. L. Amps @ 230 V	Service Factor	"C" Dim. (Inches)	Notes
1/4	1800	48Z	100803.00	✓	429	A4P17NR1	19	115/230	Auto.	1.4	1.0	10.66	S, MX, 16, 34
	1200	48Z	100824.00	✓	505	A4P11NR2	20	115/230	Auto.	1.4	1.0	10.66	S, MX, 16, 34
	1200	S56Z	100805.00	✓	541	A4P11NJ1	22	115/230	Auto.	1.4	1.0	11.06	S, MX, 17, 34
1/3	1800	48Z	100804.00	✓	462	A4P17NR2	21	115/230	Auto.	1.6	1.0	10.66	S, MX, 16, 34
	1800	S56H	100767.00	✓	499	A4P17NJ1	22	115/230	Auto.	1.6	1.0	10.31	S, MX, 34
	1800	56HY	111348.00	✓	499	A6P17NZ6	24	115/230	Auto.	1.7	1.0	13.44	S, US, 59
	1200	48Z	100825.00	✓	585	A4P11NR3	25	115/230	Auto.	1.8	1.0	11.16	S, MX, 16, 34
	1200	S56HZ	100806.00	✓	621	A4P11NJ2	27	115/230	Auto.	1.8	1.0	11.56	S, MX, 17, 34
1/2	1800	56HZ	111323.00	✓	521	A6P17NR3	30	115/230	Auto.	2.6	1.0	12.56	S, US, 17, 34
	1800	S56H	100768.00	✓	531	A4P17NJ2	36	115/230	Auto.	2.2	1.0	10.81	S, MX, 34
	1200	48Z	101645.00	✓	684	A4P11NR6	33	115/230	Auto.	2.8	1.0	11.16	S, MX, 16, 34
	1200	56HZ	111321.00	✓	672	A6P11NR1	37	115/230	Auto.	3.0	1.0	13.56	S, US, 17, 34
3/4	900	48YZ	M099836.00	✓	466	A4P8NR1	24	115/230	Auto.	3.0	1.0	11.55	S, MX, 19, 34, 50
	900	56HZ	111919.00	✓	832	A6P8NR2	40	115/230	Auto.	3.2	1.0	13.56	S, US, 17, 34, 50
	1800	56HZ	111324.00	✓	770	A6P17NR4	34	115/230	Auto.	3.5	1.0	13.06	S, US, 17
1	1800	56H	111266.00	✓	770	A6P17NR1	36	115/230	Auto.	3.5	1.0	12.31	S, US,
	1200	56HZ	111322.00	✓	794	A6P11NR2	44	115/230	Auto.	4.0	1.0	13.56	S, US, 17, 50
	1200	56HZ	111267.00	✓	808	A6P17NR2	39	115/230	Auto.	4.4	1.0	12.81	S, US,

Specifications are subject to change without notice

♥ Note listing on inside back flap

Single Phase - PSC Type - Rigid Base - Totally Enclosed Air Over (TEAO)

HP	SYN RPM 60 Hz	NEMA Frame	Catalog Number	Stock	List Price	Model Number	App. Wgt. (lbs)	Voltage	Over-load Prot.	F. L. Amps @ 230 V	Service Factor	"C" Dim. (Inches)	Notes
1/4	1800	48Y	101252.00	✓	423	A4P17NB27	19	115/208-230	Auto.	1.5	1.0	10.90	S, MX, 50
	1800	48Y	100699.00	✓	419	A4P17NB7	19	115/230	Auto.	1.4	1.0	10.65	S, MX
	1800	48Y	M099799.00	✓	332	A4P17NB55	19	115/230	Auto.	1.5	1.0	10.79	S, MX
	1200	48Y	M099260.00	✓	346	A4P11NB23	21	115/230	Auto.	1.2	1.0	10.83	S, MX
1/3	1800	48Y	M090253.00	✓	342	A4P17NB54	22	115/230	Auto.	1.8	1.0	10.47	S, MX, 50
	1800	48Y	101253.00	✓	489	A4P17NB28	22	115/208-230	Auto.	1.9	1.0	10.65	S, MX, 50
	1800	48Y	100700.00	✓	485	A4P17NB8	22	115/230	Auto.	1.6	1.0	10.65	S, MX
	1800	56Y	111202.00	✓	485	A6P17NZ1	24	115/230	Auto.	1.7	1.0	12.00	S, MX, 58
	1800	48Y	M099800.00	✓	376	A4P17NB56	22	115/230	Auto.	1.8	1.0	10.79	S, MX
	1200	48Y	M099261.00	✓	409	A4P11NB24	21	115/230	Auto.	1.5	1.0	11.34	S, MX
	1200	S56Y	100604.00	✓	609	A4P11NH1	23	115/230	Auto.	1.8	1.0	11.40	S, MX
1/2	1800	S56Y	101176.00	✓	517	A4K17NH2	26	115/230	Auto.	3.5	1.0	10.40	S, MX, 50, 54
	1800	48Y	100701.00	✓	514	A4P17NB9	29	115/230	Auto.	2.5	1.0	12.15	S, MX
	1800	48Y	M099801.00	✓	405	A4P17NB57	29	115/230	Auto.	2.5	1.0	10.79	S, MX
	1200	48Y	M099946.00	✓	423	A4P11NB28	26	115/230	Auto.	2.5	1.0	11.81	S, MX
3/4	1200	56HZ	M099847.00	✓	654	A6P11NB4	36	115/230	Auto.	3.6	1.0	13.56	S, MX

Specifications are subject to change without notice

♥ Note listing on inside back flap



View On-line Technical Information



Agricultural Duty Motors

Agricultural Fan

Typically used in Poultry houses or barn exhaust fans

Features:

- TEAO designs - continuous duty
- Extended through bolts
- 1/2" dia. x 2 1/2" long shaft with flats, 90° apart
- Fully gasketed
- Automatic overload protected
- Must be mounted in airstream for proper cooling



Single Phase - PSC - TEAO - Resilient Base

HP	SYN RPM 60 Hz	NEMA Frame	▼ Catalog Number	Stock	List Price	Model Number	App. Wgt. (lbs)	Voltage	Over-load Prot.	F. L. Amps @ 230 V	Service Factor	"C" Dim. (Inches)	♥Notes
1/4	1625	48Z	LM24445	✓	558	SPA4S0.25TZRY1A6027AP11-1	20	115/230	Auto.	1.8	1.0	11.06	S, MX
	1625	48Z	LM24447	✓	432	SPA4S0.25TZRY1A6027AP10-1	17	115/230	Auto.	1.6	1.0	10.09	S, MX
	1075	48Z	LM24442	C/A	516	SPA6S0.25TZRY1A6027AP10-1	14	115/230	Auto.	1.6	1.0	10.09	S, MX
1/3	1625	48Z	LM24450	✓	613	SPA4S0.33TZRY1A6027AP11-1	23	115/230	Auto.	1.9	1.0	11.81	S, MX
	1625	48Z	LM24448	✓	475	SPA4S0.33TZRY1A6027AP10-1	17	115/230	Auto.	2.2	1.0	10.09	S, MX
	1075	48Z	LM24443	✓	591	SPA6S0.33TZRY1A6027AP10-1	15	115/230	Auto.	2.1	1.0	10.84	S, MX
1/2	1625	48Z	LM24446	✓	679	SPA4S0.5TZRY1A6027AP11-1	23	115/230	Auto.	2.7	1.0	11.81	S, MX
	1625	48Z	LM24449	✓	526	SPA4S0.5TZRY1A6027AP10-1	21	115/230	Auto.	3.0	1.0	10.84	S, MX
	1075	48Z	LM24444	✓	679	SPA6S0.5TZRY1A6027AP10-1	19	115/230	Auto.	3.2	1.0	10.84	S, MX

▼ LM Numbers are Lincoln Models

C/A - Check Availability

Specifications are subject to change without notice

♥ Note listing on inside back flap

Grain Dryer / Centrifugal Fan Motors

Used in Ag fan and blower applications.

Screens used to protect against entry of pests and and silage

Features:

- NEMA Premium and Epact efficiency
- Rodent Screens
- Re-greasable Bearings
- Cast Iron construction
- 1.25 Service Factor
- Class F insulation
- Inverter Duty Insulation System
- UL Recognized and CSA certified



Three Phase - Open Drip-Proof (ODP) - Rigid Base

HP	SYN RPM 60 Hz	NEMA Frame	Catalog Number	Stock	List Price	Model Number	App. Wgt. (lbs)	Voltage	F. L. Amps @ 230 V	F.L. Eff.	"C" Dim. (Inches)	♥Notes
10	1800	215T	G151828.60	✓	1052	C215T17DB54	168	208-230/460	25.0	89.5	16.75	C, CN
15	1800	254T	G151540.60	✓	1548	C254T17DB12	265	208-230/460	37.6	91.0	21.89	C, CN
		254T	170540.60	✓	2007	C254T17DB45	279	208-230/460	37.0	93.0	20.94	C, CN
20	1800	256T	G151541.60	✓	1925	C256T17DB7	307	208-230/460	48.0	91.7	23.54	C, CN
		256T	170541.60	✓	2448	C256T17DB10	324	208-230/460	51.0	93.0	22.60	C, CN
25	1800	284T	G151829.60	✓	2105	C284T17DB11	388	208-230/460	59.6	91.7	23.54	C, CN
30	1800	286T	G151542.60	✓	2681	C286T17DB12	434	208-230/460	72.0	92.4	26.57	C, CN
		286T	170542.60	✓	3296	C286T17DB13	471	208-230/460	71.0	93.6	25.00	C, CN

Green items are Premium Efficient

C/A - Check Availability

Specifications are subject to change without notice

♥ Note listing on inside back flap

View On-line Technical Information



Automotive Duty Motors

Pump Motors

Washguard Motors

Agricultural Motors

HVAC / Fan Motors

Special Voltage Motors

Definite Purpose Motors

Brake Motors

IEC Motors

Agricultural Duty Motors

Aeration Fan Motors

Features:

- Belt driven fans or fan on shaft applications
- Capacitor start designs
- Must be mounted in airstream for proper cooling
- Epoxy paint to resist corrosion
- Single-phase models have built-in terminal boards



Single Phase - Capacitor Start - TEAO - Rigid Base

HP	SYN RPM 60 Hz	NEMA Frame	Catalog Number	Stock	List Price	Model Number	App. Wgt. (lbs)	Voltage	Over-load Prot.	F. L. Amps @ 230 V	Service Factor	"C" Dim. (Inches)	♥Notes
3/4	3600	56	111332.00	√	433	C6C34NB15	27	115/230	None	5.0	1.0	10.90	S, US, 22
1	3600	56	111333.00	√	514	C6C34NB16	29	115/230	None	6.0	1.0	10.90	S, US, 22
1 1/2	3600	56	111949.00	√	664	C6C34NB19	32	115/230	None	8.5	1.0	11.40	S, US, 22
	3600	143TZ	120374.00	√	714	C143C34NB1	31	115/230	None	8.5	1.0	11.84	S, US, 22
2	3600	145TZ	120375.00	√	870	C145C34NB1	41	230	None	10.0	1.0	13.34	S, US, 23
3	3600	145T	120376.00	√	915	C145K34NB1	45	230	None	12.8	1.0	13.84	S, US, 23, 53

Specifications are subject to change without notice

♥ Note listing on inside back flap



Three Phase - TEAO - Rigid Base

HP	SYN RPM 60 Hz	NEMA Frame	Catalog Number	Stock	List Price	Model Number	App. Wgt. (lbs)	Voltage	F. L. Amps @ 230 V	Service Factor	"C" Dim. (Inches)	♥Notes
3/4	3600	56Z	111334.00	√	443	C6T34NB18	21	208-230/460	2.4	1.0	9.90	S, US, 22
1	3600	56Z	111335.00	√	481	C6T34NB19	22	208-230/460	3.2	1.0	9.90	S, US, 22
1 1/2	3600	143TZ	120377.00	√	553	C143T34NB2	31	208-230/460	4.2	1.0	11.34	S, US, 22
2	3600	145TZ	120378.00	√	654	C145T34NB1	34	208-230/460	5.6	1.0	11.84	S, US, 22
3	3600	145T	120379.00	√	734	C145T34NB2	38	230/460	7.6	1.0	12.34	S, US, 23

Specifications are subject to change without notice

♥ Note listing on inside back flap



View On-line Technical Information

Agricultural Duty Motors

Crop Dryer Motors

Used on Crop Dryers with air over/fan on shaft designs

Features:

- Class "F" insulation system
- Overload protected
- Keyed shaft with 1/4-20 UNC tapped hole on end
- 34" long leads
- Capacitors shipped loose on 1-phase designs
- Motor venting protected against insects and rodents
- Double sealed ball bearings



Single Phase - Drip-Proof Air Over - Rigid Base

HP	SYN RPM 60 Hz	NEMA Frame	▼ Catalog Number	Stock	List Price	Model Number	App. Wgt. (lbs)	Voltage	Over-load Prot.	F. L. Amps @ 230 V	Service Factor	"C" Dim. (Inches)	♥Notes
3-4.5	3600	145TZ	LM24778	✓	1159	SSD2S3-4.5TZ1B66QS10-1	46	230	Auto	13.0-19.0	1.5	13.74	S, MX
5 - 7	3600	182TZ	131847.00	✓	1361	C182C34DB2	91	230	T-Stat	27.2-35.0	1.0	16.44	S, MX
		184TZ	LM24779	C/A	1430	SS18D2S5-7TZ1C66QS11-1	76	230	T-Stat	27.2-35	1.0	14.50	S, MX
7.5-10	3600	182TZ	131848.00	✓	1513	C182K34DB4	95	230	T-Stat	31.0-42.0	1.0	16.44	S, MX
7-10	3600	184TZ	LM24780	✓	1897	SSD2S7-10TZ1B66QS11-1	102	230	T-Stat	31-42	1.4	15.94	S, MX
7-9	3600	184TZ	LM24781	C/A	1536	SSD2S7-9TZ1C66QSS11-1	88	230	T-Stat	31-42	1.3	15.50	S, MX
10 - 15	3600	215TZ	140640.00	✓	2326	C215K34DB2	159	230	T-Stat	39.5-61.5	1.0	20.42	S, MX
		215TZ	LM24782	✓	2410	SS215D2S10-15TZ1C66QS11-1	135	230	T-Stat	39.5-61.5	1.5	18.16	S, MX
		215TZ	141084.00	✓	2326	C215K34DB3	159	230	T-Stat	40.0	1.0	20.08	S, MX, 52

▼ LM Numbers are Lincoln Models

♥ Note listing on inside back flap

C/A - Check Availability

Specifications are subject to change without notice

Three Phase - Drip-Proof Air Over - Rigid Base

HP	SYN RPM 60 Hz	NEMA Frame	▼ Catalog Number	Stock	List Price	Model Number	App. Wgt. (lbs)	Voltage	Over-load Prot.	F. L. Amps @ 230 V	Service Factor	"C" Dim. (Inches)	♥Notes
5-7.5	3600	184TZ	131849.00	✓	1102	C184T34DB8	70	208-230/460	T-Stat	19.0	1.0	13.94	S, MX
		184TZ	LM24783	C/A	1207	SS184D2S5-7TZ6029QS12-1	70	208-230/460	T-Stat	18.0	1.0	14.71	S, MX
7.5-10	3600	184TZ	131850.00	✓	1287	C184T34DB9	85	208-230/460	T-Stat	24.2	1.0	15.44	S, MX
		184TZ	LM24784	C/A	1281	SSD2S7-10TZ6029QS12-1	83	208-230/460	T-Stat	19.0	1.0	14.22	S, MX
10 - 15	3600	215TZ	140641.00	✓	1553	C215T34DB3	95	208-220/440	T-Stat	40.0	1.5	17.41	S, MX
		215TZ	LM24785	C/A	1689	SS215D2S10-15TZ6029QS12-1	115	208-220/440	T-Stat	26.0	1.0	17.41	S, MX

▼ LM Numbers are Lincoln Models

♥ Note listing on inside back flap

C/A - Check Availability

Specifications are subject to change without notice

View On-line Technical Information



Automotive Duty Motors

Pump Motors

Washguard Motors

Agricultural Motors

HVAC / Fan Motors

Special Voltage Motors

Definite Purpose Motors

Brake Motors

IEC Motors

Agricultural Duty Motors

Grain Stirring Motors

Used in Grain stirring systems inside grain bins

Features:

- TEFC, continuous duty
- High torque designs
- Rugged 205 bearing, shaft end
- Vertical shaft up design with drain hole
- 7/8" Dia. Shaft



Single Phase - Rigid Base - TEFC

HP	SYN RPM 60 Hz	Frame	▼ Catalog Number	Stock	List Price	Model Number	App. Wgt. (lbs)	Voltage	Over- load Prot.	F. L. Amps @ 230 V	Service Factor	"C" Dim. (Inches)	♥Notes
1 1/2	1800	56HZ	111330.00	√	845	P6K17FB18	42	115/208-230	Man.	8.6	1.00	12.31	S, US, 53
	1800	56HZ	LM24521	√	847	SRF4S1.5TZ1B6028AP9-2	47	115/208-230	Man.	7.6	1.15	13.21	S, US, 53

▼ LM Numbers are Lincoln Models

♥ Note listing on inside back flap

Specifications are subject to change without notice

Three Phase - Rigid Base - TEFC

HP	SYN RPM 60 Hz	Frame	▼ Catalog Number	Stock	List Price	Model Number	App. Wgt. (lbs)	Voltage	F. L. Amps @ 230 V	% F. L. Eff.	Service Factor	"C" Dim. (Inches)	♥Notes
1 1/2	1800	56HZ	111329.00	√	859	M6T17FB49	38	208-230/460	5.4	80.0	1.00	11.81	S, US, 53

Specifications are subject to change without notice

♥ Note listing on inside back flap

Catfish Pond Motors

Designed for outdoor pond aeration applications

Features:

- High torque designs
- Epoxy painted for corrosion protection
- Double sealed ball bearings
- Drain holes provided to purge condensation



Single Phase and Three Phase - C Face With Base - TEFC

HP	SYN RPM 60 Hz	Frame	Catalog Number	Stock	List Price	Model Number	App. Wgt. (lbs)	Voltage	Over- load Prot.	Phase	F. L. Amps @ 230 V	Service Factor	"C" Dim. (Inches)	♥Notes
10	1800	215TC	140705.00	√	2569	P215K17FK5	204	230	Man.	1	40.0	1.15	20.71	S, MX,
	1800	215TC	140833.00	√	1546	C215T17FK19	169	208-230/460	None	3	23.6	1.15	19.70	S, MX,

Green items are Premium Efficient

♥ Note listing on inside back flap

Specifications are subject to change without notice



View On-line Technical Information

Agricultural Duty Motors Irrigation Booster Pump Motors

Used in agricultural duty irrigation systems

Features:

- Threaded jet pump motor shaft
- Vertical Shaft down design
- Rain canopy provided
- Epoxy painted for corrosion protection
- Neoprene shaft flinger



Three Phase - Irrigation Booster - TEFC

HP	SYN RPM 60 Hz	NEMA Frame	▼ Catalog Number	Stock	List Price	Model Number	App. Wgt. (lbs)	Voltage	F. L. Amps @ 460 V	Service Factor	"C" Dim. (Inches)	♥Notes
2	3600	56J	112991.00	√	824	A6T34FC33	33	460	84.0	1.5	14.34	S, US

Specifications are subject to change without notice

♥ Note listing on inside back flap

Irrigation Drive Motors

Features:

- Double-sealed ball bearings
- Designed for vertical shaft down applications
- Rain canopy protects against water contamination



Three Phase - C Face Less Base - TEFC

HP	SYN RPM 60 Hz	NEMA Frame	▼ Catalog Number	Stock	List Price	Model Number	App. Wgt. (lbs)	Voltage	F. L. Amps @ 460 V	Service Factor	"C" Dim. (Inches)	♥Notes
1	1800	56C	111304.00	√	796	A6T17FC33	30	460	75.0	1.25	12.34	S, US

Specifications are subject to change without notice

♥ Note listing on inside back flap

Milk Transfer Pump Motor

Features:

- Direct replacement for Surge milk pumps
- Double sealed ball bearings
- Epoxy painted for corrosion protection
- Permanent split capacitor design
- Requires 30 MFD, 370 V. capacitor - not supplied



Single Phase - Rigid Base - TENV

HP	SYN RPM 60 Hz	NEMA Frame	▼ Catalog Number	Stock	List Price	Model Number	App. Wgt. (lbs)	Voltage	F. L. Amps @ 230 V	Service Factor	"C" Dim. (Inches)	♥Notes
1/2	3600	56CZ	113939.00	√	553	C6P34NK5	42	230	4.5	SPEC	13.07	S, US

Specifications are subject to change without notice

♥ Note listing on inside back flap

View On-line Technical Information



Automotive Duty Motors

Pump Motors

Washguard Motors

Agricultural Motors

HVAC / Fan Motors

Special Voltage Motors

Definite Purpose Motors

Brake Motors

IEC Motors

Agricultural Duty Motors

Feed-Auger Drive Motors - Dust Tight

Replacement motors for poultry feed auger drive systems

Features:

- Choice of mechanical or solid state starting switch
- Mechanical switch has over-speed protection
- Manual overload protected



Single Phase - TEFC - 60 Hertz

HP	SYN RPM 60 Hz	NEMA Frame	▼ Catalog Number	Stock	List Price	Model Number	App. Wgt. (lbs)	Voltage	Over-load Prot.	F. L. Amps @ 230 V	Service Factor	"C" Dim. (Inches)	♥Notes
1/3	1800	48YZ	101159.00	√	564	P4C17FZ11	21	115/230	Man.	3.1	1.0	10.47	S, MX, 26
	1800	48YZ	101435.00	√	542	M4C17FZ16	21	115/230	Man.	3.1	1.0	10.47	S, MX, 26, 51
	1800	48N	LM24462	√	545	SPA4S0.33TADN1C6027TP1	23	115/230	Man.	2.5	1.5	11.31	S, MX, 26, 51
1/2	1800	48YZ	101120.00	√	635	P4C17FZ7	22	115/208-230	Man.	4.0	1.15	10.72	S, MX, 26
	1800	48YZ	101436.00	√	621	M4C17FZ17	22	115/208-230	Man.	4.0	1.15	10.47	S, MX, 26, 51
	1800	48N	LM24463	√	621	SPA4S0.5TADN1C6027TP1	23	115/230	Man.	3.4	1.0	11.81	S, MX, 26, 51
3/4	1800	48YZ	101119.00	√	742	P4C17FZ6	24	115/208-230	Man.	5.4	1.0	11.47	S, MX, 26
	1800	48YZ	101437.00	√	639	M4C17FZ18	28	115/230	Man.	5.4	1.0	11.47	S, MX, 26, 51
	1800	48N	LM24812	√	644	SRF4S0.75TZADN1C6028TP1-1	31	115/208-230	Man.	5.5	1.0	12.59	S, MX, 26, 51
1	1800	56YZ	112615.00	√	822	P6C17FZ27	35	115/230	Man.	7.0	1.0	12.11	S, MX, 26
	1800	56YZ	113302.00	√	801	M6C17FZ31	35	115/208-230	Man.	7.0	1.0	12.61	S, MX, 26, 51
	1800	56NZ	LM24813	√	801	SRF4S1TZADN1C6028TP-1	32	115/208-230	Man.	6.7	1.0	13.39	S, MX, 26, 51
1 1/2	1800	56YZ	113280.00	√	1365	P6K17FZ6	47	115/208-230	Man.	6.5	1.0	13.62	S, MX, 27, 53
	1800	56YZ	113301.00	√	1347	M6K17FZ7	44	115/230	Man.	6.5	1.0	13.62	S, MX, 27, 51, 53
	1800	56NZ	LM24814	√	1348	SRF4S1.5TZADN1C6028TP1-1	41	115/208/230	Man.	7.6	1.0	14.38	S, MX, 27, 51, 53

▼ LM Numbers are Lincoln Models

♥ Note listing on inside back flap

Specifications are subject to change without notice

Single Phase - TEFC - 50 Hertz

HP	SYN RPM 60 Hz	NEMA Frame	Catalog Number	Stock	List Price	Model Number	App. Wgt. (lbs)	Voltage	Over-load Prot.	F. L. Amps @ 220 V	Service Factor	"C" Dim. (Inches)	♥Notes
1/2	1800	48YZ	101643.00	C/A	687	M4C14FZ5	26	110/220	Man.	4.0	1.0	11.47	S, MX, 26, 51
3/4	1800	48YZ	101644.00	√	738	M4C14FZ6	30	110/220	Man.	5.8	1.0	12.22	S, MX, 26, 51
1	1800	56YZ	113906.00	√	897	M6C14FZ8	39	110/220	Man.	6.4	1.0	12.61	S, MX, 27, 51
1 1/2	1800	56YZ	113907.00	√	1500	P6K14FZ2	48	110/220	Man.	8.6	1.0	13.61	S, MX, 27, 51

C/A - Check Availability

♥ Note listing on inside back flap

Specifications are subject to change without notice



View On-line Technical Information



Agricultural Duty Motors

Hatchery and Incubator Fan Motors

Replacement motors for hatchery and incubator fan motors

Features:

- Automatic overload protected
- 15 MFD, 370 V. capacitor shipped loose with motor 101341.00
- Motor 114102.00 is a split phase two-speed motor
- Double shielded ball bearings



Cat. No. 101341



Cat. No. 114102

Single Phase - TEAO

HP	SYN RPM 60 Hz	NEMA Frame	Catalog Number	Stock	List Price	Model Number	App. Wgt. (lbs)	Voltage	Over- load Prot.	F. L. Amps @ 230 V	Service Factor	"C" Dim. (Inches)	♥Notes
1/4	1800	48Y	101341.00	✓	427	A4P17NZ24	17	115/230	Auto.	1.4	1.00	8.93	S, US, 16, 34, 58
1/2-0.22	1800/1200	56H	114102.00	✓	557	A6S46NR4	33	115	Auto.	9.3-5.6*	1.25	11.81	S, US

* Full Load amps are at high speed and low speeds, respectively at 115 volts

♥ Note listing on inside back flap

Specifications are subject to change without notice

Feather Picker Motors

Replacement motors used in Poultry feather picker machines

Features:

- Phosphatized or stainless steel shafts drilled and tapped metric shafts
- Epoxy painted for corrosion protection
- Washdown duty features including shaft seals
- USDA approved food-safe paint
- Extra high breakdown torques



Three Phase - TEFC

HP	SYN RPM 60 Hz	NEMA Frame	Catalog Number	Stock	List Price	Model Number	App. Wgt. (lbs)	Voltage	F. L. Amps @ 230 V	F.L. Eff.	Service Factor	"C" Dim. (Inches)	♥Notes
2	1800	145T	121934.00	✓	883	C145T17FB87	54	208-230/460	7.0	86.5	1.25	14.76	S, US
2	1200	184TZ	132246.00	✓	1346	C184T11FB24	96	230/460	7.2	88.5	1.5	15.96	S, MX
2/1.5	1200	112M	132247.00	✓	1408	C184T11FB25	96	230/460	7.2	88.5	1.5	15.96	S, MX, 29
3	1800	56HZ	115751.00	✓	995	C6T17FB113	45	208-230/460	8.6	82.5	1.0	14.25	S, US, 5
	1800	145T	121944.00	✓	995	C145T17FB92	45	230/460	8.6	82.5	1.0	14.25	S, US, 56

Green items are Premium Efficient

♥ Note listing on inside back flap

Note: Catalog Number 115751 has a 303 stainless steel shaft.

Specifications are subject to change without notice

View On-line Technical Information



Automotive
Duty Motors

Pump
Motors

Washguard
Motors

Agricultural
Motors

HVAC / Fan
Motors

Special Voltage
Motors

Definite
Purpose Motors

Brake Motors

IEC Motors

Agricultural Duty Motors

Industry-AG • High Torque

General Purpose, heavy duty for industrial and agriculture applications

Features:

- Manual overload protected
- Double sealed ball bearings
- Weather resistant reset button protection
- Capacitor start provides high starting torque



Rigid Base - 115-208/230V - TEFC

HP	SYN RPM 60 Hz	NEMA Frame	Catalog Number	Stock	List Price	Model Number	App. Wgt. (lbs)	Voltage	Over- load Prot.	F. L. Amps @ 230 V	Service Factor	"C" Dim. (Inches)	♥Notes
1/3	1800	56	M002256.00	✓	435	M6C17FB142	24	115-208/230	Man.	2.9	1.15	11.00	S, CN
1/2	1800	56	M009086.00	✓	514	M6C17FB143	27	115-208/230	Man.	3.9	1.15	11.00	S, CN
3/4	1800	56	M009087.00	✓	599	M6C17FB144	30	115-208/230	Man.	5.0	1.15	11.50	S, CN
1	1800	56	M009088.00	✓	630	M6C17FB145	34	115-208/230	Man.	6.8	1.15	11.50	S, CN
1 1/2	1800	56	M009089.00	✓	746	M6K17FB49	41	115-208/230	Man.	9.0	1.00	12.88	S, CN
2	1800	56HZ	M009090.00	✓	1063	M145K17FB27	48	230	Man.	9.5	1.00	14.00	S, CN

These motors use C Face Kit M064076.00

♥ Note listing on inside back flap

Specifications are subject to change without notice

C Face Less Base - 115-208/230 - TEFC

HP	SYN RPM 60 Hz	NEMA Frame	Catalog Number	Stock	List Price	Model Number	App. Wgt. (lbs)	Voltage	Over- load Prot.	F. L. Amps @ 230 V	Service Factor	"C" Dim. (Inches)	♥Notes
1/3	1800	56C	M002290.00	✓	529	M6C17FC140	24	115-208/230	Man.	2.9	1.15	10.81	S, CN
1/2	1800	56C	M009492.00	✓	580	M6C17FC141	27	115-208/230	Man.	3.9	1.15	10.81	S, CN
3/4	1800	56C	M009493.00	✓	654	M6C17FC142	30	115-208/230	Man.	5.0	1.15	11.31	S, CN
1	1800	56C	M009494.00	✓	680	M6C17FC143	34	115-208/230	Man.	6.8	1.15	11.81	S, CN

Specifications are subject to change without notice

♥ Note listing on inside back flap



View On-line Technical Information

Agricultural Duty Motors

Variable Speed - High Performance AG Fan Motors

Designed for use in agricultural fan applications where variable speed is required

Features:

- Water-tight connection end compartment
- Locked double sealed ball bearings
- All angle mounting
- Shaft seal on output shaft end
- Automatic overload protected



Single Phase - TEAO - Rigid Base - Extended Thru-Bolts

HP	SYN RPM 60 Hz	NEMA Frame	Catalog Number	Stock	List Price	Model Number	App. Wgt. (lbs)	Voltage	Over- load Prot.	F. L. Amps @ 230 V	Service Factor	"C" Dim. (Inches)	♥Notes
1/4	1800	48Y	M099899.00	✓	328	A4P17NB58	18	115-208/230	Auto.	1.3	1.0	11.3	S, CN
	1200	48Y	M099460.00	✓	354	A4P11NB25	21	115/208-230	Auto.	1.3	1.0	11.8	S, CN
1/3	1800	48Y	M099900.00	✓	350	A4P17NB59	19	115-208/230	Auto.	1.8	1.0	11.3	S, CN
	1200	48Y	M099461.00	✓	379	A48P11NB26	22	115/208-230	Auto.	1.9	1.0	11.8	S, CN
1/2	1800	48Y	M099901.00	✓	388	A4P17NB60	22	115-208/230	Auto.	2.6	1.0	11.7	S, CN
	1200	48Y	M099462.00	✓	413	A4P11NB27	25	115/208-230	Auto.	2.8	1.0	12.2	S, CN

Specifications are subject to change without notice

♥ Note listing on inside back flap

Agricultural Fan Motors - Belt Drive • TEAO

Designed for use in agricultural belted fan applications

Features:

- Capacitor start / Capacitor run designs for high efficiency
- Mount in airstream for proper cooling
- Combination 56 / 140 frame stamped steel base



High-Efficiency - Single-Phase

HP	SYN RPM 60 Hz	NEMA Frame	Catalog Number	Stock	List Price	Model Number	App. Wgt. (lbs)	Voltage	Over- load Prot.	F. L. Amps @ 230 V	Service Factor	"C" Dim. (Inches)	♥Notes
1/2	1800	56	M009580.00	✓	475	A6K17NB21	27	115/208-230	-	4.4	-	10.33	S, CN
3/4	1800	56H	M009581.00	✓	503	A6K17NB15	30	115/208-230	Auto.	3.4	82	10.83	S, CN
1	1800	56H	M009782.00	✓	524	A6K17NB17	37	115/208-230	Auto.	4.3	85	11.80	S, CN
1 1/2	1800	56H	M009594.00	✓	625	A6K17NB16	39	115/208-230	Auto.	6.8	78	12.60	S, CN
2	1800	145T	M009595.00 *	✓	694	M145K17NB1	47	230	Auto	9.5	82	12.80	S, CN

* Motor M009595 has a frame mounted conduit box.

♥ Note listing on inside back flap

Specifications are subject to change without notice

View On-line Technical Information



Automotive
Duty Motors

Pump
Motors

Washguard
Motors

Agricultural
Motors

HVAC / Fan
Motors

Special Voltage
Motors

Definite
Purpose Motors

Brake Motors

IEC Motors

Agricultural Duty Motors

Agriculture Fan

115/230 Volts - Belt Drive - Overload Protection

Features:

- Capacitor start/capacitor run design
- Ball bearings
- LM24777 must be mounted in airstream



Single Phase - TENV - Rigid Base

HP	SYN RPM 60 Hz	NEMA Frame	▼ Catalog Number	Stock	List Price	Model Number	App. Wgt. (lbs)	Voltage	Over- load Prot.	F. L. Amps @ 230 V	Service Factor	"C" Dim. (Inches)	♥Notes
1/2	1800	56Z	LM24776	√	669	SRN4S0.5TZ1B6027TP2-1	21	115/230	Auto	2.3	1.0	10.47	S, MX, 12, 53
1	1800	56Z	LM24777*	√	895	SRA4S1TZ1B6027TP2-1	32	115/230	Auto	4.6	1.0	10.72	S, MX, 53

▼ LM Numbers are Lincoln Models

♥ Note listing on inside back flap

* LM24777 is a TEAO design

Specifications are subject to change without notice

Agriculture Fan

Direct Drive Through-Bolt Mount

Features:

- 1/2" long through bolts
- 48Y - 1/2" dia., 1-1/2 long shaft with flat
- 48YZ - 1/2" dia., 2-1/2" long shaft with two flats



Single Speed - Single Phase - TEAO - Through Bolt Mount

HP	SYN RPM 60 Hz	NEMA Frame	▼ Catalog Number	Stock	List Price	Model Number	App. Wgt. (lbs)	Voltage	Over- load Prot.	F. L. Amps @ 115 V	Service Factor	"C" Dim. (Inches)	♥Notes
1/4	1725	48Y	LM24488	√	407	SPN4S0.25TZNY1S6001TP1-1	10	115	Auto	4.0	1.0	7.62	S, MX

▼ LM Numbers are Lincoln Models

♥ Note listing on inside back flap

Specifications are subject to change without notice

Two Speed - Single Phase - TEAO - Through Bolt Mount

HP	SYN RPM 60 Hz	NEMA Frame	▼ Catalog Number	Stock	List Price	Model Number	App. Wgt. (lbs)	Voltage	Over- load Prot.	F. L. Amps @ 115 V	Service Factor	"C" Dim. (Inches)	♥Notes
1/4	1725/1140	48YZ	LM24492	√	424	SPA4/6/1S0.25/0.25TZNY1S6001TP2-1	17	115	Auto	4.1	1.0	11.09	S, MX
1/3	1725/1140	48YZ	LM24491	√	477	SPA4/6/1S0.33/0.33TZNY1S6001TP2-1	18	115	Auto	5.3	1.0	11.34	S, MX

▼ LM Numbers are Lincoln Models

♥ Note listing on inside back flap

C/A - Check Availability

Specifications are subject to change without notice



View On-line Technical Information

Agricultural Duty Motors

Agriculture Fan

Features:

- 115 & 230 Volts • Single Phase
- Extended through-bolts on 48Z frame motos
- 48Z - 1/2 dia. shaft, 2-1/2 long with two flats
- 56Z - 1/2 dia. shaft, 2-1/2" long shaft with keyway
- Includes 5/8" shaft adaptor sleeve with key



Single-Phase - TEAO - Resilient Base

HP	SYN RPM 60 Hz	NEMA Frame	▼ Catalog Number	Stock	List Price	Model Number	App. Wgt. (lbs)	Voltage	Over-load Prot.	F. L. Amps @ 230 V	Service Factor	"C" Dim. (Inches)	♥Notes
1/4	1800	48Z	LM24487	C/A	424	SPA4S0.25TZRY1S6001TP2-1	17	115	Auto	3.5*	1.0	10.09	S, MX
1/3	1800	48Z	LM24486	√	477	SPA4S0.33TZRY1S6001TP2-1	21	115	Auto	4.5*	1.0	10.09	S, MX
1/2	1800	56Z	LM24809	C/A	645	SRA4S0.5TZR1S6027TP2-1	24	115/230	Auto	3.3	1.0	11.34	S, MX

▼ LM Numbers are Lincoln Models

♥ Note listing on inside back flap

* Amps at 115 Volts

C/A - Check Availability

Specifications are subject to change without notice

Aeration Fan, HVAC 115 & 230 VOLTS • Single Phase

Features:

- Automatic overload protected
- Sealed bearings
- 18" extended leads
- Shaft has keyway and 1/4-20 UNC tapped hole on end of shaft

Single Phase - TEAO - Rigid Base

HP	SYN RPM 60 Hz	NEMA Frame	▼ Catalog Number	Stock	List Price	Model Number	App. Wgt. (lbs)	Voltage	Over-load Prot.	F. L. Amps @ 230 V	Service Factor	"C" Dim. (Inches)	♥Notes
1	3600	56Z	LM24786	√	518	SRA2S1TZ1C6027L10MB6TP2-1	29	115/230	Auto	5.6	1.15	10.94	S, MX
1 1/2	3600	143TZ	LM24787	√	588	SSA2S1.5TZ1C6027L10MB6TP2-1	35	115/230	Auto	8.4	1.15	11.49	S, MX
3	3600	145TZ	LM24788	√	724	SS145A2S3TZ1B66L10MB6TP2-1	52	230	Auto	11.8	1.15	13.49	S, MX

▼ LM Numbers are Lincoln Models

♥ Note listing on inside back flap

Specifications are subject to change without notice

View On-line Technical Information



Automotive
Duty Motors

Pump
Motors

Washguard
Motors

Agricultural
Motors

HVAC / Fan
Motors

Special Voltage
Motors

Definite
Purpose Motors

Brake Motors

IEC Motors

HVAC – Fan Motors



- Various voltages and mounting types available
- Single and three phase fan duty motors
- Rigid base, resilient base, pedestal base, belly band mount and extended thru-bolt mount types
- Drip-Proof, TEFC, TEAO and DPAO designs
- General purpose duty
- Agricultural duty
- UL recognized and CSA certified

Applications:

Ideally suited for a variety of fan applications requiring the motor to either be mounted in or out of the air stream for proper ventilation. Some motors have an epoxy finish for harsh applications and other motors have a baked on enamel finish. Industrial, commercial and agricultural fan motors available.



Automotive
Duty Motors

Pump
Motors

Washguard
Motors

Agricultural
Duty Motors

HVAC / Fan
Motors

Special Voltage
Motors

Definite
Purpose Motors

Brake Motors

IEC Motors

General Specifications:

- Drip-proof and totally enclosed designs
- Industrial quality, resilient (cradle) mounted
- Capacitor start-type
- Ball bearing designs
- Moderate starting torque to reduce machinery stresses
- Suitable for belt-driven fans or fan-on-shaft applications



Single Phase - Drip-Proof - Resilient Base

HP	SYN RPM 60 Hz	NEMA Frame	Catalog Number	Stock	List Price	Model Number	App. Wgt. (lbs)	Voltage	Over-load Prot.	F. L. Amps @ 230 V	Service Factor	"C" Dim. (Inches)	Notes
1/4	3600	48	101434.00	✓	301	A4C34DR8	16	115/208-230	Auto.	2.0	1.0	9.39	S, MX
	1800	48	100109.00	✓	353	A4C17DR1	17	115/208-230	Auto.	2.7	1.35	9.89	S, MX
	1800	48	100111.00	✓	305	A4C17DR3	17	115/208-230	Auto.	2.7	1.0	9.89	S, MX
	1800	48	102963.00	✓	353	A4C17DR47	17	277	Auto.	2.2*	1.35	9.89	S, MX
1/3	3600	48	101431.00	✓	309	A4C34DR11	17	115/208-230	Auto.	2.3	1.0	9.39	S, MX
	1800	48	100110.00	✓	432	A4C17DR2	18	115/208-230	Auto.	3.3	1.35	9.89	S, MX
	1800	48	101015.00	✓	353	A4C17DR31	18	115/208-230	Auto.	3.3	1.0	9.89	S, MX
	1800	S56	100014.00	✓	407	C4C17DJ5	19	115/208-230	None	3.3	1.35	10.31	S, MX
	1800	S56	100010.00	✓	432	A4C17DJ2	18	115/208-230	Auto.	3.3	1.35	10.31	S, MX
	1800	S56	100063.00	✓	353	A4C17DJ9	19	115/208-230	Auto.	3.3	1.0	10.31	S, MX
	1800	S56	102964.00	✓	432	A4C17DJ72	18	277	Auto.	2.8*	1.35	10.31	S, MX
	1800	S56	100015.00	✓	439	C4C17DJ6	21	115/208-230	None	4.4	1.25	10.81	S, MX
1/2	3600	48	101432.00	✓	341	A4C34DR10	20	115/208-230	Auto.	3.4	1.0	9.89	S, MX
	1800	S56	100015.00	✓	439	C4C17DJ6	21	115/208-230	None	4.4	1.25	10.81	S, MX
	1800	S56	100045.00	✓	420	M4C17DJ17	20	115/208-230	Man.	4.4	1.0	10.81	S, MX
	1800	S56	101611.00	✓	465	A4C17DJ57	22	115/208-230	Auto.	4.4	1.25	10.81	S, MX, 32
	1800	S56	100011.00	✓	465	A4C17DJ3	22	115/208-230	Auto.	4.4	1.25	10.81	S, MX
	1800	S56	100064.00	✓	422	A4C17DJ10	20	115/208-230	Auto.	4.4	1.0	10.81	S, MX
	1800	S56	102965.00	✓	465	A4C17DJ74	22	277	Auto.	3.7*	1.25	10.81	S, MX
	1800	S56	100015.00	✓	439	C4C17DJ6	21	115/208-230	None	4.4	1.25	10.81	S, MX
3/4	3600	48	101433.00	✓	402	A4C34DR9	22	115/208-230	Auto.	4.8	1.0	10.39	S, MX
	3600	S56H	100603.00	✓	428	A4C34DJ7	26	115/208-230	Auto.	4.9	1.25	11.31	S, MX
	1800	S56H	100016.00	✓	551	C4C17DJ7	26	115/208-230	None	5.4	1.25	11.81	S, MX
	1800	S56H	100046.00	✓	575	M4C17DJ18	26	115/208-230	Man.	5.4	1.25	11.81	S, MX
	1800	S56H	100047.00	✓	481	M4C17DJ19	25	115/208-230	Man.	5.5	1.0	11.81	S, MX
	1800	S56H	101839.00	✓	575	A4C17DJ67	28	115/208-230	Auto.	5.4	1.25	11.81	S, MX, 32
	1800	S56H	100012.00	✓	575	A4C17DJ4	26	115/208-230	Auto.	5.4	1.25	11.81	S, MX
	1800	S56H	100065.00	✓	476	A4C17DJ11	25	115/208-230	Auto.	5.5	1.0	11.81	S, MX
	1800	S56H	102966.00	✓	575	A4C17DJ73	26	277	Auto.	4.5*	1.25	11.81	S, MX
	1800	S56H	110478.00	✓	494	A6C34DR6	28	115/208-230	Auto.	6.0	1.25	11.85	S, US
1	1800	56H	113027.00	✓	599	C6C17DR37	30	115/208-230	None	6.4	1.15	11.81	S, US
	1800	56H	110007.00	✓	623	A6C17DR1	29	115/208-230	Auto.	6.4	1.15	11.81	S, US
	1800	56H	110054.00	✓	609	A6C17DR2	32	115/208-230	Auto.	6.4	1.0	11.81	S, US
	1800	56H	116599.00	✓	623	A6C17DR54	29	277	Auto.	5.4*	1.2	11.82	S, US
	1800	56H	110479.00	✓	635	A6C34DR7	30	115/230	Auto.	8.2	1.15	11.82	S, US
1 1/2	1800	56H	110579.00	✓	754	A6K17DR6	38	115/208-230	Auto.	7.2	1.15	12.82	S, US, 6, 53
	1800	56H	116600.00	✓	754	A6K17DR41	38	277	Auto.	6.0*	1.15	12.82	S, US
	1800	56H	113633.00	✓	795	U6C34DR21	38	115/208-230	Auto.	10.0	1.15	13.82	S, US
2	1800	56H	113608.00	✓	803	A6K17DR28	45	115/208-230	Auto.	10.0	1.15	13.81	S, US, 6, 53
	1800	56H	116601.00	✓	803	A6K17DR42	45	277	Auto.	8.7*	1.15	13.82	S, US

* F.L. Amps at 277V

♥ Note listing on inside back flap

Specifications are subject to change without notice



Automotive
Duty Motors

Pump
Motors

Washguard
Motors

Agricultural
Motors

HVAC / Fan
Motors

Special Voltage
Motors

Definite
Purpose Motors

Brake Motors

IEC Motors

HVAC – Fan Motors

Single Phase - TEFC - Resilient Base

Features:

- Up to 22% higher efficiency than standard Ag Motors
- Sealed bearings
- Shaft flinger
- High starting torque
- Manual overload protected
- Condensation drains



Single Phase - TEFC - Rigid Base

HP/ kW	SYN RPM 60Hz	Frame	Catalog Number	Stock	List Price	Model Number	App. Wgt. (lbs)	Voltage	Over- load Prot.	F. L. Amps @ 230 V	Service Factor	"C" Dim. (Inches)	♥Notes
1/2	1800	56	110025.00	√	527	A6C17FR1	26	115/208-230	Auto.	4.4	1.15	11.96	S, US
3/4	1800	56	110026.00	√	631	A6C17FR2	28	115/208-230	Auto.	5.4	1.15	12.46	S, US, 6
1	1800	56H	111915.00	√	717	A6C17FR10	31	115/208-230	Auto.	6.4	1.15	12.96	S, US, 6

Specifications are subject to change without notice

♥ Note listing on inside back flap

Wattsaver® Premium Efficiency Fan Motors

Features:

- Premium efficient
- Class F insulation
- Terminal boards
- Shielded ball bearings



Single Phase - Drip-Proof - Resilient Base

HP/ kW	SYN RPM 60Hz	Frame	Catalog Number	Stock	List Price	Model Number	App. Wgt. (lbs)	Voltage	Over- load Prot.	F. L. Amps @ 230 V	% F.L. Eff.	Service Factor	"C" Dim. (Inches)	♥Notes
1/4	1800	48	101602.00	√	392	A4K17DR7	19	115	Auto.	2.5	1.35	71.0	10.39	S, MX, 32
1/3	1800	48	101405.00	√	464	A4K17DR5	19	115	Auto.	3.2	1.35	75.0	10.39	S, MX, 32
1/2	1800	48	101585.00	√	530	A4K17DR6	25	115	Auto.	4.6	1.35	76.0	11.39	S, MX, 32

Green items are Premium Efficient

Specifications are subject to change without notice

♥ Note listing on inside back flap

Resilient Base Motors - Three Phase General Purpose or Fan & Blower Service

General Specifications:

- Industrial quality, resilient (cradle) mounted
- Ball bearing design
- Moderate starting torque to reduce fan stresses
- Suitable for belt-driven fans or fan-on-shaft applications



Three Phase - TEFC - Resilient Base

HP	SYN RPM 60 Hz	NEMA Frame	Catalog Number	Stock	List Price	Model Number	App. Wgt. (lbs)	Voltage	Over-load Prot.	F. L. Amps @ 230 V	Service Factor	% F.L. Eff.	"C" Dim. (Inches)	♥Notes
1/2	1800	56	111917.00	✓	501	C6T17NR1	25	208-230/460	None	1.8	1.15	78.5	11.31	S, US, 6, 12
1	1800	56	111918.00	✓	564	C6T17FR1	29	208-230/460	None	3.8	1.15	77.0	12.46	S, US, 6

Specifications are subject to change without notice

♥ Note listing on inside back flap

Drip-Proof - Three Phase - Resilient Base

HP	SYN RPM 60 Hz	NEMA Frame	Catalog Number	Stock	List Price	Model Number	App. Wgt. (lbs)	Voltage	Over-load Prot.	F. L. Amps @ 230 V	Service Factor	% F.L. Eff.	"C" Dim. (Inches)	♥Notes	
1/3	3600	S56	101639.00	✓	359	A4T34DJ4	17	208-230/460	Auto.	1.7	1.35	61.0	10.31	S, US, 33	
	1800	S56	100210.00	✓	392	C4T17DJ3	18	208-230/460	None	1.6	1.35	64.3	10.31	S, MX	
	1800	S56	101520.00	✓	476	A4T17DJ18	19	208-230/460	Auto.	1.6	1.35	64.3	10.81	S, MX, 33	
1/2	3600	S56	101640.00	✓	432	A4T34DJ3	18	208-230/460	Auto.	2.4	1.25	69.0	10.31	S, US, 33	
	1800	S56	100145.00	✓	449	C4T17DJ1	22	208-230/460	None	2	1.25	68.0	10.81	S, MX	
	1800	S56	100796.00	✓	523	A4T17DJ10	22	208-230/460	Auto.	2	1.25	68.0	11.31	S, MX	
3/4	3600	S56	101773.00	✓	451	C4T34DJ8	20	208-230/460	None	2.4	1.25	79.0	10.81	S, US	
	3600	S56	101641.00	✓	527	A4T34DJ5	20	208-230/460	Auto.	2.4	1.25	79.0	11.31	S, US, 33	
	1800	S56	100146.00	✓	499	C4T17DJ2	25	208-230/460	None	2.8	1.25	75.0	11.31	S, MX	
1	1800	S56	100908.00	✓	567	A4T17DJ13	26	208-230/460	Auto.	2.8	1.25	75.0	11.81	S, US, 33	
	3600	56	114192.00	✓	481	C6T34DR35	24	208-230/460	None	3.2	1.25	77.0	10.82	S, US	
	3600	56	113895.00	✓	556	A6T34DR30	25	208-230/460	Auto.	3.2	1.25	77.0	10.82	S, US, 33	
1	1800	56	110052.00	✓	524	C6T17DR1	23	208-230/460	None	4.2	1.15	78.5	11.31	S, US	
	1800	56H	111311.00	✓	589	A6T17DR11	27	208-230/460	Auto.	4.2	1.15	78.5	11.31	S, US, 33	
	11/2	3600	56H	114194.00	✓	586	C6T34DR36	31	208-230/460	None	4.2	1.15	81.5	11.82	S, US
11/2	3600	56H	113896.00	✓	630	A6T34DR31	29	208-230/460	Auto.	4.2	1.15	81.5	11.82	S, US, 33	
	1800	56H	110433.00	✓	603	C6T17DR4	32	208-230/460	None	5.6	1.15	78.5	11.81	S, US	
	1800	56H	113846.00	✓	625	A6T17DR25	29	208-230/460	Auto.	5.6	1.15	78.5	11.81	S, US, 49	
2	3600	56H	114196.00	✓	678	C6T34DR37	36	208-230/460	None	5.6	1.15	82.9	12.32	S, US	
	3600	56H	113897.00	✓	731	A6T34DR32	39	208-230/460	Auto.	5.6	1.15	82.9	12.32	S, US, 33	
	1800	56H	114197.00	✓	655	C6T17DR29	37	208-230/460	None	6.2	1.15	78.5	12.31	S, US	
2	1800	56H	113847.00	✓	717	A6T17DR26	34	208-230/460	Auto.	6.2	1.15	78.5	12.31	S, US, 33	
	3	3600	56HZ	113926.00	✓	722	U6T34DR33	40	208-230/460	Auto.	7.6	1.0	84.0	13.19	S, US, 33
	1800	56HZ	116593.00	✓	786	A6T17DR33	47	230/460	Auto.	8.6	1.15	82.5	14.19	S, US, 33	

Specifications are subject to change without notice

♥ Note listing on inside back flap

Automotive Duty Motors

Pump Motors

Washguard Motors

Agricultural Motors

HVAC / Fan Motors

Special Voltage Motors

Definite Purpose Motors

Brake Motors

IEC Motors

HVAC – Fan Motors

Fan & Blower Motors - Multi-Speed - Single & Three Phase



Features:

- Two-winding - variable torque
- PSC Type for shaft mounted fan applications
- Overload protected with a UL and CSA recognized automatic reset protector
- Listed speed or two speed operation using the proper auxiliary switch
- Variable speed by using a variable voltage control
- Overload protected with a UL and CSA recognized automatic reset protector
- Must be mounted in airstream for proper motor cooling
- Extended through-bolts
- Epoxy painted motors

Single Phase - TEAO - PSC Type - Resilient Base

HP/ kW	RPM	SYN RPM 60 Hz	Catalog Number	Stock	List Price	Model Number	App. Wgt. (lbs)	Voltage	Over- lod Prot.	F. L. Amps @ 230 V	Service Factor	"C" Dim. (Inches)	♥Notes
1/4	1800	48Z	100803.00	√	429	A4P17NR1	19	115/230	Auto.	1.4	1.0	10.66	S, MX, 16, 34
	1200	48Z	100824.00	√	505	A4P11NR2	20	115/230	Auto.	1.4	1.0	10.66	S, MX, 16, 34
	1200	S56Z	100805.00	√	541	A4P11NJ1	22	115/230	Auto.	1.4	1.0	11.06	S, MX, 17, 34
1/3	1800	48Z	100804.00	√	462	A4P17NR2	21	115/230	Auto.	1.6	1.0	10.66	S, MX, 16, 34
	1800	S56H	100767.00	√	499	A4P17NJ1	22	115/230	Auto.	1.6	1.0	10.31	S, MX, 34
	1800	56HY	111348.00	√	499	A6P17NZ6	29	115/230	Auto.	1.7	1.0	12.94	S, US, 34, 59
	1200	48Z	100825.00	√	585	A4P11NR3	25	115/230	Auto.	1.8	1.0	11.16	S, MX, 16, 34
1/2	1200	S56HZ	100806.00	√	621	A4P11NJ2	27	115/230	Auto.	1.8	1.0	11.56	S, MX, 17, 28
	1800	56HZ	111323.00	√	521	A6P17NR3	30	115/230	Auto.	2.6	1.0	12.56	S, US, 17, 34
	1800	S56H	100768.00	√	531	A4P17NJ2	36	115/230	Auto.	2.2	1.0	10.81	S, MX, 34
	1200	48Z	101645.00	√	684	A4P11NR6	27	115/230	Auto.	2.8	1.0	11.16	S, MX, 16, 34
3/4	1200	56HZ	111321.00	√	672	A6P11NR1	37	115/230	Auto.	3.0	1.0	13.56	S, US, 17, 34, 60
	900	56HZ	111919.00	√	832	A6P8NR2	45	115/230	Auto.	3.2	1.0	13.56	S, US, 17, 25, 34, 60
	1800	56HZ	111324.00	√	770	A6P17NR4	34	115/230	Auto.	3.5	1.0	13.06	S, US, 17, 34
1	1800	56H	111266.00	√	770	A6P17NR1	36	115/230	Auto.	3.5	1.0	12.31	S, US, 34
	1200	56HZ	111322.00	√	794	A6P11NR2	44	115/230	Auto.	4.0	1.0	13.56	S, US, 17, 25, 34, 60
1	1800	56HZ	111267.00	√	808	A6P17NR2	39	115/230	Auto.	4.4	1.0	12.81	S, US, 34

Specifications are subject to change without notice

♥ Note listing on inside back flap

Single Phase - TEAO - PSC Type - Resilient Base

HP/ kW	RPM	SYN RPM 60 Hz	Catalog Number	Stock	List Price	Model Number	App. Wgt. (lbs)	Voltage	Over- lod Prot.	F. L. Amps @ 230 V	Service Factor	"C" Dim. (Inches)	♥Notes
1/4	1800	48Y	100699.00	√	419	A4P17NB7	19	115/230	Auto.	1.4	1.0	10.65	S, MX
	1800	48Y	101252.00	√	423	A4P17NB27	19	115/208-230	Auto.	1.5	1.0	10.40	S, MX, 50
1/3	1800	48Y	100700.00	√	485	A4P17NB8	21	115/230	Auto.	1.6	1.0	10.65	S, MX
	1800	56Y	111202.00	C/A	485	A6P17NZ1	27	115/230	Auto.	1.7	1.0	12.00	S, US, 62
	1800	48Y	101253.00	C/A	489	A4P17NB28	22	115/208-230	Auto.	1.9	1.0	10.65	S, MX, 50
	1200	S56Z	100604.00	√	609	A4P11NH1	23	115/230	Auto.	1.8	1.0	11.40	S, MX
1/2	1800	48Y	100701.00	√	514	A4P17NB9	25	115/230	Auto.	2.5	1.0	12.15	S, MX
	1800	S56Y	101176.00	√	517	A4K17NH2	24	115/230	Auto.	3.5	1.0	10.40	S, MX, 50, 54

C/A - Check Availability

♥ Note listing on inside back flap

Specifications are subject to change without notice

Features:

- Belted or fan-on-shaft applications
- Can be mounted within or outside the fan's airstream
- Resilient mounted for quiet operation
- 3/4 HP and larger single phase are capacitor start motors; smaller single phase are split phase start.
- Ball bearings



Single Phase - Drip-Proof - Resilient Base

HP	SYN RPM 60 Hz	NEMA Frame	Catalog Number	Stock	List Price	Model Number	App. Wgt. (lbs)	Voltage	Over- load Prot.	F. L. Amps High/ Low	Service Factor	"C" Dim. (Inches)	♥Notes
1/4-1/12	1800/1200	48Z*	101020.00	✓	374	C4S46DR1	20	115	None	4.2-3.2	1.0	11.64	S, US, 16
1/3-0.15	1800/1200	S56H	101021.00	✓	475	C4S46DJ1	26	115	None	5.0-4.6	1.0	12.27	S, MX
1/2-1/4	1800/1200	56H	111953.00	✓	593	C6S46DR1	33	115	None	7.8-4.6	1.0	12.31	S, US
	1800/1200	56H	113643.00	✓	593	C6S46DR2	33	230	None	3.9-2.3	1.0	12.31	S, US
3/4-1/3	1800/1200	56H	111954.00	✓	861	C6C46DR2	38	115	None	11.6-7.4	1.0	12.81	S, US, 6
	1800/1200	56H	113672.00	✓	861	C6C46DR5	39	230	None	5.8-3.7	1.15	12.81	S, US, 6
1-0.44	1800/1200	56H	111955.00	✓	1014	C6K46DR1	41	115	None	13.2-9.5	1.0	12.81	S, US, 6
	1800/1200	56H	113373.00	✓	1014	C6K46DR3	39	230	None	6.5-4.6	1.0	12.81	S, US, 6

Specifications are subject to change without notice

♥ Note listing on inside back flap

Three Phase - Drip-Proof - Resilient Base

HP	SYN RPM 60 Hz	NEMA Frame	Catalog Number	Stock	List Price	Model Number	App. Wgt. (lbs)	Voltage	Over- load Prot.	F. L. Amps High/ Low	Service Factor	"C" Dim. (Inches)	♥Notes
1/2-.22	1800/1200	56H	111956.00	✓	895	C6T46DR1	32	208-230	None	1.8-1.1	1.0	12.31	S, US
	1800/1200	56H	111957.00	✓	895	C6T46DR2	32	460	None	0.9-0.5	1.0	12.31	S, US
3/4-1/3	1800/1200	56H	111958.00	✓	944	C6T46DR3	36	208-230	None	2.8-1.6	1.0	12.81	S, US, 6
	1800/1200	56H	111959.00	✓	944	C6T46DR4	36	460	None	1.4-0.8	1.0	12.81	S, US, 6
1-0.44	1800/1200	56H	111960.00	✓	1014	C6T46DR5	40	208-230	None	4.0-2.4	1.0	12.81	S, US, 6
	1800/1200	56H	111961.00	✓	1014	C6T46DR6	40	460	None	1.8-1.0	1.0	12.81	S, US, 6
1 1/2-.67	1800/1200	56H	111962.00	✓	1230	C6T46DR7	40	208-230	None	5.0-2.6	1.0	12.81	S, US, 6
	1800/1200	56H	111963.00	✓	1230	C6T46DR8	40	460	None	2.5-1.3	1.0	12.81	S, US, 6

Specifications are subject to change without notice

♥ Note listing on inside back flap

View On-line Technical Information



HVAC – Fan Motors

Aeration Fan Motors

Totally Enclosed Air Over Motors (TEAO)

Features:

- Suitable for shaft mounted fans
- Capacitor start designs
- Designed to run in the airflow of the driven fan
- Epoxy enamel finish to resist corrosion
- Ball bearing designs



Single Phase - Capacitor Start - TEAO - Rigid Base

HP	SYN RPM 60 Hz	NEMA Frame	Catalog Number	Stock	List Price	Model Number	App. Wgt. (lbs)	Voltage	F. L. Amps 230V	Service Factor	"C" Dim. (Inches)	♥Notes
3/4	3600	56	111332.00	✓	433	C6C34NB15	27	115/230	5.0	1.0	10.90	S, US, 22
1	3600	56	111333.00	✓	514	C6C34NB16	29	115/230	6.0	1.0	10.90	S, US, 22
1 1/2	3600	56	111949.00	✓	664	C6C34NB19	32	115/230	8.5	1.0	11.40	S, US, 22
	3600	143TZ	120374.00	✓	714	C143C34NB1	31	115/230	8.5	1.0	11.84	S, US, 22
2	3600	145TZ	120375.00	✓	870	C145C34NB1	41	230	10.0	1.0	13.34	S, US, 23
3	3600	145T	120376.00	✓	915	C145K34NB1	45	230	12.8	1.0	13.84	S, US, 23, 53

Specifications are subject to change without notice

♥ Note listing on inside back flap

Three Phase - TEAO - Rigid Base

HP	SYN RPM 60 Hz	NEMA Frame	Catalog Number	Stock	List Price	Model Number	App. Wgt. (lbs)	Voltage	F. L. Amps @ 230V	F.L. Eff	Service Factor	"C" Dim. (Inches)	♥Notes
3/4	3600	56Z	111334.00	✓	443	C6T34NB18	21	208-230/460	2.4	75.5	1.0	9.90	S, US, 22
1	3600	56Z	111335.00	✓	481	C6T34NB19	22	208-230/460	3.2	77.0	1.0	9.90	S, US, 22
1 1/2	3600	143TZ	120377.00	✓	553	C143T34NB2	31	208-230/460	4.2	82.5	1.0	11.34	S, US, 22
2	3600	145TZ	120378.00	✓	654	C145T34NB1	34	208-230/460	5.6	82.5	1.0	11.84	S, US, 22
3	3600	145T	120379.00	✓	734	C145T34NB2	38	230/460	7.6	84.0	1.0	12.34	S, US, 23

Specifications are subject to change without notice

♥ Note listing on inside back flap

Ventilation Fan Motor - Dust-Tight - Shaft Mounted

Features:

- Permanent split capacitor start motors
- Direct drive exhaust ventilation fans
- Extended through-bolt designs
- Built in terminal panel for quick connections
- Motors must be mounted in the mounted fan's airstream



Single Phase - TEAO - Through-Bolt Mount

HP	SYN RPM 60 Hz	NEMA Frame	Catalog Number	Stock	List Price	Model Number	App. Wgt. (lbs)	Voltage	Over-load Prot.	F. L. Amps 230V	Service Factor	"C" Dim. (Inches)	♥Notes
1/3	1800	48Y	M090085.00	√	368	A4P17NZ58	20	115/230	Auto	1.8	1.0	10.79	S, CN
1/2	1800	48Y	M090086.00	√	397	A4P17NZ56	22	115/230	Auto	2.5	1.0	10.79	S, CN
	900	56Z	114620.00	√	690	A6P8NZ2	35	115/230	Auto	3.2	1.0	12.63	S, US, 50
	900	48Y	M099250.00	√	446	A4P8NZ1	24	115/230	Auto	3.0	1.0	11.00	S, CN, 20, 50

Specifications are subject to change without notice

♥ Note listing on inside back flap

Single & Three Phase - TEAO - C Face Less Base

HP	SYN RPM 60 Hz	NEMA Frame	Catalog Number	Stock	List Price	Model Number	App. Wgt. (lbs)	Voltage	Over-load Prot.	Phase	F. L. Amps @ 230V	Service Factor	"C" Dim. (Inches)	♥Notes
1/2	900	S56C	M099251.00	√	449	A4P8NC2	24	115/230	Auto	1	3.0	1.0	10.4	S, CN, 25
1	900	S56CZ	M009644.00	√	754	M009644	45	230	Auto	1	4.6	1.1	15.6	S, CN, 21, 50
1/2	900	56C	116201.00	√	621	C6T8NC37	35	208-230/460	...	3	3.0	1.0	10.9	S, US
1	900	56C	116202.00	√	771	C6T8NC38	45	208-230/460	...	3	5.0	1.0	12.9	S, US

Specifications are subject to change without notice

♥ Note listing on inside back flap

View On-line Technical Information



Automotive Duty Motors

Pump Motors

Washguard Motors

Agricultural Motors

HVAC / Fan Motors

Special Voltage Motors

Definite Purpose Motors

Brake Motors

IEC Motors

HVAC – Fan Motors

Condenser Fan Motors

Features:

- For shaft mounted fan applications
- Belly band and rigid mount designs
- Designed for vertical shaft up applications
- Enclosed shaft end endshield protects against contaminants
- Automatic overload protection
- Double sealed ball bearings
- **NOT FOR USE WITH INVERTERS**



Three Phase - Drip-Proof - Belly Band & Rigid Mount

HP	SYN RPM 60 Hz	NEMA Frame	Catalog Number	Stock	List Price	Model Number	App. Wgt. (lbs)	Voltage	F. L. Amps @ 230V	F.L. Eff	Service Factor	"C" Dim. (Inches)	♥Notes
1/2	1200	56Y	116772.00	√	634	A6T11√Z3	25	208-230/460	2.8	66.0	1.15	12.56	S, US, 58
3/4	1200	56Y	116773.00	√	687	A6T11√Z2	31	208-230/460	3.4	75.5	1.15	13.06	S, US, 58
1	1200	56Y	111147.00	√	780	A6T11DZ1	37	208-230/460	3.6	77.0	1.15	14.06	S, US, 58
	1200	56Y	115778.00	√	724	A6T11DB20	37	208-230/460	4.0	77.0	1.15	14.05	S, US, 60
1 1/2	1200	56Y	111148.00	√	852	A6T11DZ2	42	208-230/460	5.2	78.0	1.15	15.06	S, US, 58
	1200	56HY	115779.00	√	787	A6T11DB21	39	208-230/460	5.6	79.0	1.15	15.55	S, US, 60

Specifications are subject to change without notice

♥ Note listing on inside back flap

Fan & Blower Motors

Single Phase - Commercial Duty

Designed for continuous duty use in ventilation fans, blowers and other belt driven or fan-on-shaft applications.

Features:

- Split phase design motors
- Belt driven or fan-on-shaft applications
- Resilient base for quiet operation
- Automatic overload protection
- Built-in terminal panel for easy connection



Single Phase - Drip-Proof - Resilient Base

HP	SYN RPM 60 Hz	NEMA Frame	Catalog Number	Stock	List Price	Model Number	App. Wgt. (lbs)	Voltage	Over- load Prot.	F. L. Amps @ 115 V	Service Factor	"C" Dim. (Inches)	♥Notes
1/4	1800	48	191868.00	√	254	A4S17DR55	15	115/230	Auto.	4.6	1.35	9.37	S, CN, 32
1/3	1800	48	191869.00	√	273	A4S17DR56	17	115/230	Auto.	5.8	1.35	9.88	S, CN, 32
1/2	1800	48	191870.00	√	316	A4S17DR57	19	115/230	Auto.	8.4	1.25	10.39	S, CN, 32

Specifications are subject to change without notice

♥ Note listing on inside back flap



View On-line Technical Information

Residential / Industrial - Split Phase - Belted Fan Motors

Designed for use in air conditioners, roof ventilators and exhaust fans.

Features:

- Low starting torque
- Ball bearings
- Resilient “cradle” style base
- Automatic overload protection



Single Phase - Drip-Proof - Resilient Base

HP	SYN RPM 60 Hz	NEMA Frame	Catalog Number	Stock	List Price	Model Number	App. Wgt. (lbs)	Voltage	Over-load Prot.	F. L. Amps @ 115 V	Service Factor	"C" Dim. (Inches)	♥Notes
1/4	1800	48YZ	M900195.00	✓	232	48S17D1301	13	115	Auto.	5.0	1.35	9.72	S, MX, 7
1/3	1800/1200	56	M900277.00	✓	446	56S17D7208	20	115	Auto.	5.3/2.9	1.35	10.78	S, MX
	1800	48YZ	M900196.00	✓	272	48S17D1303	15	115	Auto.	6.1	1.35	9.72	S, MX, 7
1/2	1800/1200	56	M900599.00	✓	558	56S17D5710	30	115	Auto.	8.4/4.5	1.25	11.85	S, US
	1800	48YZ	M900197.00	✓	356	48S17D1302	20	115	Auto.	7.2	1.25	10.72	S, MX, 7

Specifications are subject to change without notice

♥ Note listing on inside back flap

Premium Efficiency - Industrial / Residential - Belted Fan Motors

Designed for use in residential or industrial belted fan applications.

Features:

- High efficiency designs
- Ball bearings
- Special balanced rotors
- Spade connectors on terminal board
- Automatic overload protection



Single Phase - Drip-Proof - Resilient Base

HP	SYN RPM 60 Hz	NEMA Frame	Catalog Number	Stock	List Price	Model Number	App. Wgt. (lbs)	Voltage	Over-load Prot.	F. L. Amps @ 115 V	Service Factor	"C" Dim. (Inches)	♥Notes
1/4	1800	48	M090602.00	✓	301	A4K17DR11	15	115	Auto.	2.5	1.0	9.88	S, CN, 32, 55
1/3	1800	48	M090405.00	✓	316	A4K17DR9	19	115	Auto.	3.2	1.35	9.88	S, CN, 32, 55
	1800	48	M090585.00	✓	388	A4K17DR10	22	115	Auto.	4.6	1.0	10.5	S, CN, 32, 53

Specifications are subject to change without notice

♥ Note listing on inside back flap

Features:

- Drop-in replacement for most standard belted-fan motors
- Extremely quiet running compared to standard fan motors
- Consumes approximately half of the power of a standard fan motor

View On-line Technical Information



Automotive Duty Motors

Pump Motors

Washguard Motors

Agricultural Motors

HVAC / Fan Motors

Special Voltage Motors

Definite Purpose Motors

Brake Motors

IEC Motors

HVAC – Fan Motors

Pedestal Fan Motors



Designed for use where the fan is mounted directly to the motor shaft Yoke style mount is industry standard type mount.

Features:

- Drop-in replacement for most standard belted-fan motors
- Extremely quiet running compared to standard fan motors
- Consumes approximately half of the power of a standard fan motor
- Permanent split capacitor type
- Ball bearing design
- Heavy-gauge steel yoke is welded to the motor frame
- 10-32 mounting studs are extended 1.0" on 5.14" bolt circle
- Motors are UL and CSA recognized for both the U.S. and Canadian markets
- Automatic overload protection



Single Phase - TEAO - Yoke Mount

HP	SYN RPM 60 Hz*	NEMA Frame	Catalog Number	Stock	List Price	Model Number	App. Wgt. (lbs)	Voltage	Over-load Prot.	F. L. Amps @ 230 V	Service Factor	Shaft Dia.	"C" Dim. (Inches)	♥Notes
1/4	1800	48Y	191872.00	✓	254	A4P17NZ63	14	115/230	Auto.	2.6	1.0	0.500	10.95	S, CN
	1800	48Y	191908.00	✓	254	A4P17NZ64	14	115/230	Auto.	2.6	1.0	0.625	10.95	S, CN
	1200	48Y	191891.00	✓	281	A4P11NZ26	22	115/230	Auto.	2.4	1.0	0.500	10.95	S, CN
	1200	48Y	191909.00	✓	281	A4P11NZ27	25	115/230	Auto.	2.4	1.0	0.625	10.95	S, CN
1/3	1800	48Y	191871.00	✓	278	A4P17NZ65	15	115/230	Auto.	3.4	1.0	0.500	10.95	S, CN
	1800	48Y	191910.00	✓	278	A4P17NZ66	15	115/230	Auto.	3.4	1.0	0.625	10.95	S, CN
	1200	48Y	191892.00	✓	315	A4P11NZ28	23	115/230	Auto.	3.0	1.0	0.500	11.46	S, CN
	1200	48Y	191911.00	✓	315	A4P11NZ29	26	115/230	Auto.	3.0	1.0	0.625	11.46	S, CN
1/2	1800	48Y	191873.00	✓	321	A4P17NZ67	24	115/230	Auto.	4.6	1.0	0.500	10.95	S, CN
	1800	48Y	191875.00	✓	321	A4P17NZ68	24	115/230	Auto.	4.6	1.0	0.625	10.95	S, CN
	1200	48Y	191893.00	✓	365	A4P11NZ30	26	115/230	Auto.	5.0	1.0	0.500	11.93	S, CN
	1200	48Y	191912.00	✓	365	A4P11NZ31	26	115/230	Auto.	5.0	1.0	0.625	11.93	S, CN

* Two-speed operation possible by connecting 115V power to 230V connections. Actual speed (approx. 67% of rated speed) will depend on fan blade design.

♥ Note listing on inside back flap

Specifications are subject to change without notice



View On-line Technical Information



Automotive Duty Motors

Pump Motors

Washguard Motors

Agricultural Duty Motors

HVAC / Fan Motors

Special Voltage Motors

Definite Purpose Motors

Brake Motors

IEC Motors

HVAC - Fan Motors

Two-Speed Motors

Three Phase - Variable and Constant Torque

Variable torque motors are typically used on applications such as fans, blowers and centrifugal pumps.

Constant torque motors are typically used mixers, compressors, conveyors, extractors, feeders and laundry machinery.

Constant horsepower motors are typically used on machine tools such as drills, lathes, punch presses and milling machines.



Features:

- Two-speed, single winding designs
- Totally enclosed fan cooled designs
- Ball bearing designs
- Single voltage designs

Variable Torque - 460 Volt - Three Phase - TEFC - Rigid Base

HP	SYN RPM 60 Hz	NEMA Frame	Catalog Number	Stock	List Price	Model Number	App. Wgt. (lbs)	Voltage	F. L. Amps @ 460 V	Service Factor	"C" Dim. (Inches)	♥Notes
1/25	1800/900	143T	120945.00	✓	919	C143T48FB7	36	460	1.6-0.7	1.0	12.75	S, US
1.5/37	1800/900	145T	120941.00	✓	957	C145T48FB60	36	460	2.4-1.0	1.0	12.75	S, US
2/5	1800/900	145T	120940.00	C/A	1116	C145T48FB48	36	460	3.2-1.3	1.0	12.75	S, US
3/7.5	1800/900	184T	131474.00	C/A	1195	C184T48FB67	77	460	4.0-1.8	1.0	14.46	S, MX
5/1.2	1800/900	184T	131475.00	✓	1525	C184T48FB68	107	460	6.5-2.5	1.0	15.96	S, MX
7.5/1.9	1800/900	215T	140447.00	✓	2149	C215T48FB46	155	460	9.7-3.3	1.0	17.71	S, MX
10/2.5	1800/900	215T	140448.00	✓	2531	C215T48FB48	168	460	12.7-4.2	1.0	18.71	S, MX

C/A - Check Availability

♥ Note listing on inside back flap

Specifications are subject to change without notice

Variable Torque - 208-230 Volt - Three Phase - TEFC - Rigid Base

HP	SYN RPM 60 Hz	NEMA Frame	Catalog Number	Stock	List Price	Model Number	App. Wgt. (lbs)	Voltage	F. L. Amps @ 230 V	Service Factor	"C" Dim. (Inches)	♥Notes
1/25	1800/900	143T	120944.00	✓	919	C143T48FB6	36	208-230	3.2-1.4	1.0	12.75	S, US
1.5/37	1800/900	145T	120947.00	✓	959	C145T48FB61	36	208-230	4.8-2.0	1.0	12.75	S, US
2/5	1800/900	145T	120946.00	✓	1116	C145T48FB59	35	208-230	6.3-2.6	1.0	12.75	S, US
3/7.5	1800/900	184T	131468.00	✓	1195	C184T48FB61	78	208-230	8.0-3.6	1.0	14.46	S, MX
5/1.2	1800/900	184T	131469.00	✓	1525	C184T48FB62	94	208-230	13.0-5.0	1.0	15.96	S, MX
7.5/1.9	1800/900	215T	140443.00	✓	2170	C215T48FB45	154	208-230	19.4-6.6	1.0	17.71	S, MX
10/2.5	1800/900	215T	140444.00	✓	2531	C215T48FB47	166	208-230	25.4-8.4	1.0	18.71	S, MX

Specifications are subject to change without notice

♥ Note listing on inside back flap

Continued To Next Page

View On-line Technical Information



Automotive
Duty Motors

Pump
Motors

Washguard
Motors

Agricultural
Motors

HVAC / Fan
Motors

Special Voltage
Motors

Definite
Purpose Motors

Brake Motors

IEC Motors

HVAC – Fan Motors

Fan & Blower Motors - Multi-Speed - Single & Three Phase

Constant Torque - 460 Volt - Three Phase - One Winding - TEFC - Rigid Base

HP	SYN RPM 60 Hz	NEMA Frame	Catalog Number	Stock	List Price	Model Number	App. Wgt. (lbs)	Voltage	F. L. Amps @ 460 V	Service Factor	"C" Dim. (Inches)	♥Notes
1/5	1800/900	143T	120943.00	√	1311	C143T48FB9	36	460	1.4–1.6	1.0	13.25	S, US
2/1	1800/900	184T	131471.00	√	1676	C184T48FB64	68	460	2.9–2.9	1.0	13.96	S, MX
3/1.5	1800/900	184T	131470.00	√	1902	C184T48FB63	80	460	3.8–3.5	1.0	14.96	S, MX
5/2.5	1800/900	215T	140445.00	C/A	2486	C215T48FB43	145	460	6.7–7.0	1.0	17.71	S, MX

C/A - Check Availability

♥ Note listing on inside back flap

Specifications are subject to change without notice

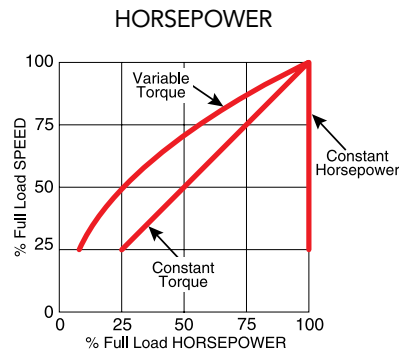
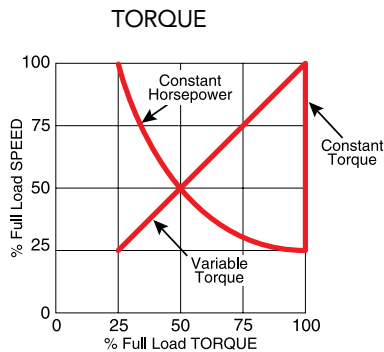
Constant Torque - 208-230 Volt - Three Phase - One Winding - TEFC - Rigid Base

HP	SYN RPM 60 Hz	NEMA Frame	Catalog Number	Stock	List Price	Model Number	App. Wgt. (lbs)	Voltage	F. L. Amps @ 230 V	Service Factor	"C" Dim. (Inches)	♥Notes
1/5	1800/900	143T	120942.00	√	1311	C143T48FB8	37	208-230	3.2–4.2	1.0	12.75	S, US
2/1	1800/900	184T	131473.00	C/A	1676	C184T48FB66	69	208-230	5.8–5.7	1.0	13.96	S, MX
3/1.5	1800/900	184T	131472.00	√	1902	C184T48FB65	80	208-230	7.6–6.9	1.0	14.96	S, MX

C/A - Check Availability

♥ Note listing on inside back flap

Specifications are subject to change without notice



View On-line Technical Information

Agricultural Duty - Fan & Blower Motors Two-Winding Variable Torque - PSC Type

These fan and blower duty motors are designed for dependable, energy saving performance in applications where the fan is mounted on the shaft of the motor.



Features:

- Two-winding - variable torque
- PSC Type for shaft mounted fan applications
- Overload protected with a UL and CSA recognized automatic reset protector
- Listed speed or two speed operation using the proper auxiliary switch
- Variable speed by using a variable voltage control
- Overload protected with a UL and CSA recognized automatic reset protector
- Must be mounted in airstream for proper motor cooling
- Extended thru-bolts

Single Phase - PSC - TEAO - Resilient Base

HP	SYN RPM 60 Hz	NEMA Frame	Catalog Number	Stock	List Price	Model Number	App. Wgt. (lbs)	Voltage	Over-load Prot.	F. L. Amps @ 230 V	Service Factor	"C" Dim. (Inches)	♥Notes
1/4	1800	48Z	100803.00	✓	429	A4P17NR1	19	115/230	Auto.	1.4	1.0	10.66	S, MX, 16, 34
	1200	48Z	100824.00	✓	505	A4P11NR2	20	115/230	Auto.	1.4	1.0	10.66	S, MX, 16, 34
	1200	S56Z	100805.00	✓	541	A4P11NJ1	22	115/230	Auto.	1.4	1.0	11.06	S, MX, 17, 28
1/3	1800	48Z	100804.00	✓	462	A4P17NR2	21	115/230	Auto.	1.6	1.0	10.66	S, MX, 16, 34
	1800	S56H	100767.00	✓	499	A4P17NJ1	22	115/230	Auto.	1.6	1.0	10.31	S, MX, 34, 59
	1800	56HY	111348.00	✓	499	A6P17NZ6	24	115/230	Auto.	1.7	1.0	13.44	S, US, 34
	1200	48Z	100825.00	✓	585	A4P11NR3	25	115/230	Auto.	1.8	1.0	11.16	S, MX, 16, 34
1/2	1200	S56HZ	100806.00	✓	621	A4P11NJ2	27	115/230	Auto.	1.8	1.0	11.56	S, MX, 17, 28
	1800	56HZ	111323.00	✓	521	A6P17NR3	30	115/230	Auto.	2.6	1.0	12.56	S, US, 17, 34
	1800	S56H	100768.00	✓	531	A4P17NJ2	36	115/230	Auto.	2.2	1.0	10.81	S, MX, 17
	1200	48Z	101645.00	✓	684	A4P11NR6	33	115/230	Auto.	2.8	1.0	11.16	S, MX, 16, 34
3/4	1200	56HZ	111321.00	✓	672	A6P11NR1	37	115/230	Auto.	3.0	1.0	13.56	S, US, 17, 34
	900	48YZ	M099836.00	✓	466	A4P8NR1	24	115/230	Auto.	3.0	1.0	11.55	S, MX, 19, 34, 50
	900	56HZ	111919.00	✓	832	A6P8NR2	40	115/230	Auto.	3.2	1.0	13.56	S, US, 17, 34, 50
	1800	56HZ	111324.00	✓	770	A6P17NR4	34	115/230	Auto.	3.5	1.0	13.06	S, US, 17, 34
1	1800	56H	111266.00	✓	770	A6P17NR1	36	115/230	Auto.	3.5	1.0	12.31	S, US, 34
	1200	56HZ	111322.00	✓	794	A6P11NR2	44	115/230	Auto.	4.0	1.0	13.56	S, US, 17, 34, 50
	1800	56HZ	111267.00	✓	808	A6P17NR2	39	115/230	Auto.	4.4	1.0	12.81	S, US, 34

Specifications are subject to change without notice

♥ Note listing on inside back flap

Automotive
Duty Motors

Pump
Motors

Washguard
Motors

Agricultural
Motors

HVAC / Fan
Motors

Special Voltage
Motors

Definite
Purpose Motors

Brake Motors

IEC Motors

HVAC – Fan Motors

PSC - Variable Speed - Resilient Base - Single Phase

Features:

- Agricultural fan duty
- Extended thru-bolts
- Totally enclosed air over (TEAO) designs



Single Phase - PSC - TEAO - Resilient Base

HP	SYN RPM 60 Hz	NEMA Frame	▼ Catalog Number	Stock	List Price	Model Number	App. Wgt. (lbs)	Voltage	Over- load Prot.	F. L. Amps @ 230 V	Service Factor	"C" Dim. (Inches)	♥ Notes
1/4	1625	48Z	LM24445	✓	558	SPA4S0.25TZRY1A6027AP11-1	20	115/230	Auto.	1.8	1.0	11.06	S, MX, 16
	1625	48Z	LM24447	✓	432	SPA4S0.25TZRY1A6027AP10-1	17	115/230	Auto.	1.6	1.0	10.09	S, MX, 16
	1075	48Z	LM24442	C/A	516	SPA6S0.25TZRY1A6027AP10-1	14	115/230	Auto.	1.6	1.0	10.09	S, MX, 16
1/3	1625	48Z	LM24450	✓	613	SPA4S0.33TZRY1A6027AP11-1	23	115/230	Auto.	1.9	1.0	11.81	S, MX, 16
	1625	48Z	LM24448	✓	475	SPA4S0.33TZRY1A6027AP10-1	17	115/230	Auto.	2.2	1.0	10.09	S, MX, 16
	1075	48Z	LM24443	✓	591	SPA6S0.33TZRY1A6027AP10-1	15	115/230	Auto.	2.1	1.0	10.84	S, MX, 16
1/2	1625	48Z	LM24446	✓	679	SPA4S0.5TZRY1A6027AP11-1	23	115/230	Auto.	2.7	1.0	11.81	S, MX, 16
	1625	48Z	LM24449	✓	526	SPA4S0.5TZRY1A6027AP10-1	21	115/230	Auto.	3.0	1.0	10.84	S, MX, 16
	1075	48Z	LM24444	✓	679	SPA6S0.5TZRY1A6027AP10-1	19	115/230	Auto.	3.2	1.0	10.84	S, MX, 16

▼ LM Numbers are Lincoln Models

♥ Note listing on inside back flap

C/A - Check Availability

Specifications are subject to change without notice



Single Phase - PSC Type - Rigid Base - TEAO

HP	SYN RPM 60 Hz	NEMA Frame	Catalog Number	Stock	List Price	Model Number	App. Wgt. (lbs)	Voltage	Over- load Prot.	F. L. Amps @ 230 V	Service Factor	"C" Dim. (Inches)	♥ Notes
1/4	1800	48Y	101252.00	✓	423	A4P17NB27	19	115/208-230	Auto.	1.5	1.0	10.90	S, MX, 50
	1800	48Y	100699.00	✓	419	A4P17NB7	19	115/230	Auto.	1.4	1.0	10.65	S, MX
	1800	48Y	M099799.00	✓	332	A4P17NB55	19	115/230	Auto.	1.5	1.0	10.79	S, MX
	1200	48Y	M099260.00	✓	346	A4P11NB23	21	115/230	Auto.	1.2	1.0	10.83	S, MX
1/3	1800	48Y	M090253.00	✓	342	A4P17NB54	22	115/230	Auto.	1.8	1.0	10.47	S, MX, 50
	1800	48Y	101253.00	C/A	489	A4P17NB28	22	115/208-230	Auto.	1.9	1.0	10.65	S, MX, 50
	1800	48Y	100700.00	✓	485	A4P17NB8	22	115/230	Auto.	1.6	1.0	10.65	S, MX
	1800	56Y	111202.00	C/A	485	A6P17NZ1	24	115/230	Auto.	1.7	1.0	12.00	S, MX, 58
	1800	48Y	M099800.00	✓	376	A4P17NB56	22	115/230	Auto.	1.8	1.0	10.79	S, MX
	1200	48Y	M099261.00	✓	409	A4P11NB24	21	115/230	Auto.	1.5	1.0	11.34	S, MX
	1200	S56Y	100604.00	✓	609	A4P11NH1	23	115/230	Auto.	1.8	1.0	11.40	S, MX
1/2	1800	S56Y	101176.00	✓	517	A4K17NH2	26	115/230	Auto.	3.5	1.0	10.40	S, MX, 50, 54
	1800	48Y	100701.00	✓	514	A4P17NB9	29	115/230	Auto.	2.5	1.0	12.15	S, MX
	1800	48Y	M099801.00	✓	405	A4P17NB57	29	115/230	Auto.	2.5	1.0	10.79	S, MX
	1200	48Y	M099946.00	✓	423	A4P11NB28	26	115/230	Auto.	2.5	1.0	11.81	S, MX
3/4	1200	56HZ	M099847.00	✓	654	A6P11NB4	36	115/230	Auto.	3.6	1.0	13.56	S, MX

C/A - Check Availability

♥ Note listing on inside back flap

Specifications are subject to change without notice

HVAC - Fan Motors

Grain Dryer / Centrifugal Fan Motors

Used in Ag fan and blower applications. Screens used to protect against entry of pests and and silage.

Features:

- NEMA Premium and EPACT efficiency
- Rodent screens
- Re-greasable bearings
- Cast Iron construction
- 1.25 service factor
- Class F insulation
- Inverter duty insulation system
- UL recognized and CSA certified



Three Phase - Open Drip Proof (ODP) - Rigid Base

HP	SYN RPM 60 Hz	NEMA Frame	Catalog Number	Stock	List Price	Model Number	App. Wgt. (lbs)	Voltage	F. L. Amps @ 230 V	F.L. Eff.	"C" Dim. (Inches)	♥Notes
10	1800	215T	G151828.60	√	1052	C215T17DB54	168	208-230/460	25.0	89.5	16.75	C, CN
15	1800	254T	G151540.60	√	1548	C254T17DB12	265	208-230/460	37.6	91.0	21.89	C, CN
	1800	254T	170540.60	√	2007	C254T17DB45	279	208-230/460	37.0	93.0	20.94	C, CN
20	1800	256T	G151541.60	√	1925	C256T17DB7	307	208-230/460	48.0	91.7	23.54	C, CN
	1800	256T	170541.60	√	2448	C256T17DB10	324	208-230/460	51.0	93.0	22.60	C, CN
25	1800	284T	G151829.60	√	2105	C284T17DB11	388	208-230/460	59.6	91.7	23.54	C, CN
30	1800	286T	G151542.60	√	2681	C286T17DB12	434	208-230/460	72.0	92.4	26.57	C, CN
	1800	286T	170542.60	√	3296	C286T17DB13	471	208-230/460	71.0	93.6	25.00	C, CN

Green items are Premium Efficient

Specifications are subject to change without notice

♥ Note listing on inside back flap

HVAC – Fan Motors

Crop Dryer Motors

Features:

- Open air over, fan-on-shaft design
- Continuous duty
- Thermostats provide overload protection
- Extra nameplate provided for remote mount
- Keyed shaft with 1/4-20 UNC tapped hole in end
- Grey epoxy painted
- Rodent screen protection



Single Phase

HP	SYN RPM 60 Hz	NEMA Frame	▼ Catalog Number	Stock	List Price	Model Number	App. Wgt. (lbs)	Voltage	Over- load Prot.	F. L. Amps @ 230 V	Service Factor	"C" Dim. (Inches)	♥Notes
3-4.5	3600	145TZ	LM24778	√	1159	SSD2S3-4.5TZ1B66QS10-1	46	230	Auto	13.0	1.5	13.74	S, MX
5 - 7	3600	182TZ	131847.00	√	1361	C182C34DB2	91	230	T-Stat	27.2-35.0	1.0	16.44	S, MX
	3600	184TZ	LM24779	C/A	1430	SS18D2S5-7TZ1C66QS11-1	76	230	T-Stat	27.2-35.0	1.0	14.50	S, MX
7.5-10	3600	182TZ	131848.00	√	1513	C182K34DB4	95	230	T-Stat	31.0-42.0	1.0	16.44	S, MX
7-10	3600	184TZ	LM24780	√	1897	SSD2S7-10TZ1B66QS11-1	102	230	T-Stat	31.0-42.0	1.4	15.94	S, MX
7-9	3600	184TZ	LM24781	C/A	1536	SSD2S7-9TZ1C66QSS11-1	88	230	T-Stat	31.0-42.0	1.3	15.50	S, MX
10 - 15	3600	215TZ	140640.00	√	2326	C215K34DB2	159	230	T-Stat	39.5-61.5	1.0	20.42	S, MX
	3600	215TZ	LM24782	√	2410	SS215D2S10-15TZ1C66QS11-1	135	230	T-Stat	39.5-61.5	1.5	18.16	S, MX
	3600	215TZ	141084.00	√	2326	C215K34DB3	159	230	T-Stat	40.0	1.0	20.08	S, MX, 52

▼ LM Numbers are Lincoln Models

♥ Note listing on inside back flap

C/A - Check Availability

Specifications are subject to change without notice

Three Phase

HP	SYN RPM 60 Hz	NEMA Frame	▼ Catalog Number	Stock	List Price	Model Number	App. Wgt. (lbs)	Voltage	Over- load Prot.	F. L. Amps @ 230 V	Service Factor	"C" Dim. (Inches)	♥Notes
5-7.5	3600	184TZ	131849.00	√	1102	C184T34DB8	70	208-230/460	T-Stat	19.0	1.0	13.94	S, MX
	3600	184TZ	LM24783	C/A	1207	SS184D2S5-7TZ6029QS12-1	70	208-230/460	T-Stat	18.0	1.0	14.71	S, MX
7.5-10	3600	184TZ	131850.00	√	1287	C184T34DB9	85	208-230/460	T-Stat	24.2	1.0	15.44	S, MX
	3600	184TZ	LM24784	C/A	1281	SSD2S7-10TZ6029QS12-1	83	208-230/460	T-Stat	19.0	1.0	14.22	S, MX
10 - 15	3600	215TZ	140641.00	√	1553	C215T34DB3	95	208-220/440	T-Stat	40.0	1.5	17.41	S, MX
	3600	215TZ	LM24785	C/A	1689	SS215D2S10-15TZ6029QS12-1	115	208-220/440	T-Stat	26.0	1.0	17.41	S, MX
10 - 15	3600	215TZ	140640.00	√	2326	C215K34DB2	159	230	T-Stat	39.5-61.5	1.0	20.42	S, MX
	3600	215TZ	LM24782	√	2410	SS215D2S10-15TZ1C66QS11-1	135	230	T-Stat	39.5-61.5	1.5	18.16	S, MX

▼ LM Numbers are Lincoln Models

♥ Note listing on inside back flap

C/A - Check Availability

Specifications are subject to change without notice

HVAC - Fan Motors

Hatchery and Incubator Fan Motors

Features:

- Automatic overload protected
- 15 MFD, 370 V capacitor shipped loose with motor
- 101341.00 is a permanent split capacitor motor
- Motor 114102.00 is a split phase two-speed motor
- Double shielded ball bearings



Single Phase - TEAO

HP	SYN RPM 60 Hz	NEMA Frame	Catalog Number	Stock	List Price	Model Number	App. Wgt. (lbs)	Voltage	Over- load Prot.	F. L. Amps @ 230 V	Service Factor	"C" Dim. (Inches)	♥Notes
1/4	1800	48Y	101341.00	√	427	A4P17NZ24	17	115/230	Auto.	1.4	1.0	8.93	S, US, 16, 34, 58
1/2-0.22	1800/1200	56H	114102.00	√	557	A6S46NR4	33	115	Auto.	9.3-5.6*	1.25	11.81	S, US

* Full Load amps are at high speed and low speeds, respectively at 115 volts
Specifications are subject to change without notice

♥ Note listing on inside back flap

Variable Speed - High Performance AG Fan Motors

Features:

- Water-tight connection end compartment
- Locked double sealed ball bearings
- All angle mounting
- Shaft seal on output shaft end
- Automatic overload protection



Single Phase - TEAO - Rigid Base - Extended Thru-Bolts

HP	SYN RPM 60 Hz	NEMA Frame	Catalog Number	Stock	List Price	Model Number	App. Wgt. (lbs)	Voltage	Over- load Prot.	F. L. Amps @ 230 V	Service Factor	"C" Dim. (Inches)	♥Notes
1/4	1800	48Y	M099899.00	√	328	A4P17NB58	18	115-208/230	Auto.	1.3	1.0	11.3	S, CN
	1200	48Y	M099460.00	√	354	A4P11NB25	21	115/208-230	Auto.	1.3	1.0	11.8	S, CN
1/3	1800	48Y	M099900.00	√	350	A4P17NB59	19	115-208/230	Auto.	1.8	1.0	11.3	S, CN
	1200	48Y	M099461.00	√	379	A48P11NB26	22	115/208-230	Auto.	1.9	1.0	11.8	S, CN
1/2	1800	48Y	M099901.00	√	388	A4P17NB60	22	115-208/230	Auto.	2.6	1.0	11.7	S, CN
	1200	48Y	M099462.00	√	413	A4P11NB27	25	115/208-230	Auto.	2.8	1.0	12.2	S, CN

Specifications are subject to change without notice

♥ Note listing on inside back flap



Automotive
Duty Motors

Pump
Motors

Washguard
Motors

Agricultural
Motors

HVAC / Fan
Motors

Special Voltage
Motors

Definite
Purpose Motors

Brake Motors

IEC Motors

HVAC – Fan Motors

Agricultural Fan Motors - Belt Drive - TEAO

Features:

- Capacitor start / capacitor run designs for high efficiency
- Mount in airstream for proper cooling
- Combination 56 / 140 frame stamped steel base



High Efficiency - Single Phase

HP	SYN RPM 60 Hz	NEMA Frame	Catalog Number	Stock	List Price	Model Number	App. Wgt. (lbs)	Voltage	Over- load Prot.	F. L. Amps @ 230 V	F.L. Eff.	"C" Dim. (Inches)	♥Notes
1/2	1800	56	M009580.00	√	475	A6K17NB21	27	115/208-230	-	4.4	80	10.33	S, CN
3/4	1800	56H	M009581.00	C/A	503	A6K17NB15	30	115/208-230	Auto.	3.4	82	10.83	S, CN
1	1800	56H	M009782.00	√	524	A6K17NB17	37	115/208-230	Auto.	4.3	85	11.80	S, CN
1 1/2	1800	56H	M009594.00	√	625	A6K17NB16	39	115/208-230	Auto.	6.8	78	12.60	S, CN
2	1800	145T	M009595.00 *	√	694	M145K17NB	47	230	Auto	9.5	82	12.80	S, CN

* Motor M009595 has a frame mounted conduit box

♥ Note listing on inside back flap

C/A - Check Availability

Specifications are subject to change without notice

Agriculture Fan

115/230 Volts - Belt Drive - Overload Protection



LM24777 is TEAO Design - Single Phase - TENV - Rigid Base

HP	SYN RPM 60 Hz	NEMA Frame	▼ Catalog Number	Stock	List Price	Model Number	App. Wgt. (lbs)	Voltage	Over- load Prot.	F. L. Amps @ 230 V	Service Factor	"C" Dim. (Inches)	♥Notes
1/2	1800	56Z	LM24776	√	669	SRN4S0.5TZ1B6027TP2-1	21	115/230	Auto	2.3	1.0	10.47	S, MX, 12, 53
1	1800	56Z	LM24777	√	895	SRA4S1TZ1B6027TP2-1	32	115/230	Auto	4.6	1.0	10.72	S, MX, 53

▼ LM Numbers are Lincoln Models

♥ Note listing on inside back flap

Specifications are subject to change without notice

HVAC - Fan Motors

Agriculture Fan

Direct Drive Thru-Bolt Mount

Automotive
Duty Motors

Pump
Motors

Washguard
Motors

Agricultural
Motors

HVAC / Fan
Motors

Special Voltage
Motors

Definite
Purpose Motors

Brake Motors

IEC Motors

Features:

- 1/2" long thru-bolts
- 48Y - 1/2" dia., 1-1/2 long shaft with flat
- 48YZ - 1/2" dia., 2-1/2" long shaft with two flats



Single Speed - Single Phase - TEAO - Through Bolt Mount

HP	SYN RPM 60 Hz	NEMA Frame	▼ Catalog Number	Stock	List Price	Model Number	App. Wgt. (lbs)	Voltage	Over- load Prot.	F. L. Amps @ 115 V	Service Factor	"C" Dim. (Inches)	♥Notes
1/4	1725	48Y	LM24488	√	407	SPN4S0.25TZNY1S6001TP1-1	10	115	Auto	4.0	1.0	7.62	S, MX

▼ LM Numbers are Lincoln Models

♥ Note listing on inside back flap

Specifications are subject to change without notice

Two Speed - Single Phase - TEAO - Through Bolt Mount

HP	SYN RPM 60 Hz	NEMA Frame	▼ Catalog Number	Stock	List Price	Model Number	App. Wgt. (lbs)	Voltage	Over- load Prot.	F. L. Amps @ 115 V	Service Factor	"C" Dim. (Inches)	♥Notes
1/4	1725/1140	48YZ	LM24492	√	424	SPA4/6/1S0.25/0.25TZNY1 S6001TP2-1	17	115	Auto	4.1	1.0	11.09	S, MX
1/3	1725/1140	48YZ	LM24491	√	477	SPA4/6/1S0.33/0.33TZNY1 S6001TP2-1	18	115	Auto	5.3	1.0	11.34	S, MX

▼ LM Numbers are Lincoln Models

♥ Note listing on inside back flap

Specifications are subject to change without notice

HVAC – Fan Motors

Agriculture Fan

Features:

- Single phase - 115 & 230 Volts
- Extended through-bolts on 48Z frame motors
- 48Z - 1/2 dia. shaft, 2-1/2 long with two flats
- 56Z - 1/2 dia. shaft, 2-1/2" long shaft with keyway
- Includes 5/8" shaft adaptor sleeve with key



Single Phase - TEAO - Resilient Base

HP	SYN RPM 60 Hz	NEMA Frame	▼ Catalog Number	Stock	List Price	Model Number	App. Wgt. (lbs)	Voltage	Over- load Prot.	F. L. Amps @ 230 V	Service Factor	"C" Dim. (Inches)	♥Notes
1/4	1800	48Z	LM24487	C/A	424	SPA4S0.25TZRY1S6001TP2-1	17	115	Auto	3.5*	1.0	10.09	S, MX
1/3	1800	48Z	LM24486	√	477	SPA4S0.33TZRY1S6001TP2-1	21	115	Auto	4.5*	1.0	10.09	S, MX
1/2	1800	56Z	LM24809	C/A	645	SRA4S0.5TZR1S6027TP2-1	24	115/230	Auto	3.3	1.0	11.34	S, MX

* Amps at 115 Volts

♥ Note listing on inside back flap

▼ LM Numbers are Lincoln Models

C/A - Check Availability

Specifications are subject to change without notice

Aeration Fan, HVAC

115 & 230 Volts - Single Phase

Features:

- Automatic overload protected
- Sealed bearings
- 18" extended leads
- Shaft has keyway and 1/4-20 UNC tapped hole on end of shaft

Single Phase - TEAO - Rigid Base

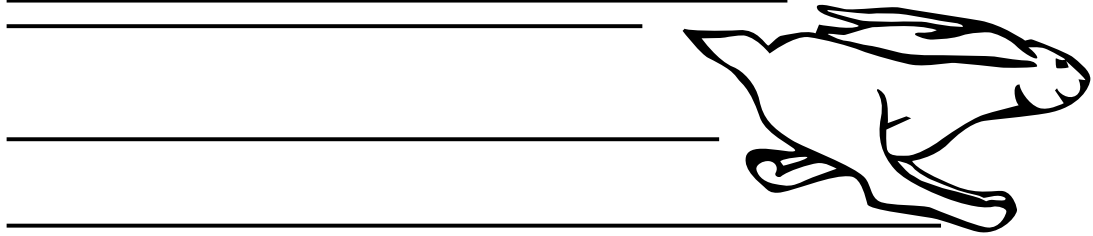
HP	SYN RPM 60 Hz	NEMA Frame	▼ Catalog Number	Stock	List Price	Model Number	App. Wgt. (lbs)	Voltage	Over- load Prot.	F. L. Amps @ 230 V	Service Factor	"C" Dim. (Inches)	♥Notes
1	3600	56Z	LM24786	√	518	SRA2S1TZ1C6027L10MB6TP2-1	29	115/230	Auto	5.6	1.15	10.94	S, MX
1 1/2	3600	143TZ	LM24787	√	588	SSA2S1.5TZ1C6027L10MB6TP2-1	35	115/230	Auto	8.4	1.15	11.49	S, MX
3	3600	145TZ	LM24788	√	724	SS145A2S3TZ1B66L10MB6TP2-1	52	230	Auto	11.8	1.15	13.49	S, MX

▼ LM Numbers are Lincoln Models

♥ Note listing on inside back flap

Specifications are subject to change without notice

Custom **PDQ**



PDQ Modular Production Program

Custom Multi-Speed, Low Speed and Modified Motors, one or several at a time, on a quick turnaround basis.

LEESON's "Modular Production" utilizes specially designed and standard components to make almost any imaginable NEMA frame multi-speed or low-speed motor available when you need it.

Quick Turnaround-LEESON's Custom PDQ can provide quick answers to inquiries and fast turnaround for orders of highly customized motors.

Comprehensive Catalog - Features the Industry's most extensive two-speed and low speed motor selection as well as a listing of commonly requested modifications. Call for your copy of LEESON Catalog 1057 - Multi-Speed, Low-Speed and Modified Motors.

Full Fact Acknowledgement - With Custom PDQ all custom motors are promptly and fully acknowledged upon receipt of order. The acknowledgement includes the complete motor specification pricing and shipping date.

Motors of 254T frame and larger are of cast iron construction with all the rugged features of LEESON's stock single-speed motors described on pages 18 & 19 of this catalog. All two-speed designs are class F insulated and have a 1.15 S.F.



Whether for the everyday or not-so-everyday needs, Custom PDQ gives you the ability to say "Yes" to requests for customized motors.

Multi-speed
Two, three and four-speed motors

Low Speed
900, 720, 600, 450 and 300 rpm

Modified as per Catalog 1057 - Some examples are:

- Anti-condensation heaters
- Brakemotors, custom
- Cooling tower specifications
- Downsized frames
- Epoxy and fungus proofing
- 50 Hz
- Premium-efficiency, North American manufacture
- Insulation, special
- Marine duty (below deck)
- Part winding (low and high voltages)
- Shafts, modified
- Thermostats
- Thermistors
- Washdown service
- IEEE841 conversion of WATTS AVER® motors
- Voltages (non-standard)

...and many more

For quotations, availability, and application assistance phone toll-free to our Canadian manufacturing facility.

CUSTOM PDQ
1-800-463-1797



Automotive
Duty Motors

Pump
Motors

Washguard
Motors

Agricultural
Motors

HVAC / Fan
Motors

Special Voltage
Motors

Definite
Purpose Motors

Brake Motors

IEC Motors

Special Voltage Motors

**General Purpose – Totally Enclosed & Drip-Proof - 575 Volt - 200/400 Volt
50 HZ - Medium Voltage Designs
Steel Frame – Aluminum Frame – Cast Iron Frame**



- Standard, EPACT and Premium efficient ratings
- Inverter rated
- Class B insulation systems – 42, 48 and 56 frames
- Class F insulation system – 140 frame and higher
- Shielded ball bearings for direct coupled applications. Contact your local sales office for belted load applications
- Rolled steel, aluminum, and cast iron frame material designs
- Continuous duty
- Dynamically balanced rotors
- Torques exceed NEMA performance standards
- UL recognized and CSA certified

Applications:

For use where special voltages are required. Ideally suited for use on pumps, compressors, fans, blowers, conveyors, machine tools and other industrial applications



Special Voltage Motors

575 Volt - Three Phase - TEFC



Three Phase - TEFC - Rigid Base

HP	SYN RPM 60 Hz	NEMA Frame	▼ Catalog Number	Stock	List Price	Model Number	App. Wgt. (lbs)	Voltage	F. L. Amps @ 575 V	% F.L. Eff.	Service Factor	"C" Dim. (Inches)	♥Notes
1/3	1800	56	LM25093	✓	389	SRF4S0.33T65	16	575	0.4	71.0	1.15	11.32	S, US
1/2	3600	56	110714.00	✓	391	C6T34NB6	25	575	0.6	82.5	1.15	10.40	S, US, 12
		56	LM25094	C/A	397	SRF2S0.5T65	22	575	0.9	66.0	1.15	11.82	S, US
	1800	56	110199.00	✓	427	C6T17NB4	25	575	0.8	78.5	1.15	9.88	S, US, 12
	1800	56	LM24154	✓	445	SRF4S.5T65	22	575	0.9	70.0	1.25	10.72	S, MX
	1800	S56	101051.00	✓	427	C4T17FH3	24	575	0.8	68.0	1.15	9.94	S, MX
3/4	1200	56	LM24295	✓	644	SRF6S0.5T65	24	575	1.1	68.0	1.15	11.82	S, MX
		56	110354.00	✓	431	C6T34FB8	22	575	0.9	75.5	1.15	10.81	S, US
	3600	56	LM24110	C/A	439	SRF2S0.75T65	23	575	1.3	74.0	1.15	11.82	S, US
	1800	56	110178.00	✓	453	C6T17FB3	22	575	1.1	77.0	1.15	10.81	S, US
	1800	56	LM25095	C/A	478	SRF4S0.75T65	30	575	1.2	75.5	1.15	11.82	S, US
1	1200	56	111394.00	✓	646	C6T11FB8	30	575	1.2	75.5	1.15	11.81	S, US
		3600	56	110715.00	✓	503	C6T34FB15	24	575	1.3	77.0	1.15	10.81
	3600	56	LM25096	C/A	516	SRF2S1T65	24	575	1.5	74.0	1.15	11.82	S, US
	1800	56	110206.00	✓	476	C6T17FB4	24	575	1.5	77.0	1.15	11.31	S, US
	1800	56	LM25097	✓	495	SRF4S1T65	27	575	1.5	77.0	1.15	12.32	S, MX
1 1/2	1800	143T	121937.00	✓	727	C143T17FB29	32	575	1.1	85.5	1.15	13.25	S, US
		143T	LM24109	✓	555	SSF4P1T65	36	575	1.2	82.5	1.25	12.87	S, MX
	1200	145T	121938.00	✓	859	C145T11FB31	47	575	1.4	82.5	1.25	13.75	S, US
	3600	145T	121939.00	✓	742	C145T34FB41	33	575	1.6	84.0	1.25	13.25	S, US
	3600	56	LM25098	✓	567	SRF2S1.5T65	25	575	1.8	80.0	1.15	11.82	S, US
2	3600	143T	LM25102	C/A	598	SSF2P1.5T65	34	575	1.6	82.5	1.25	12.87	S, US
		1800	56	110893.00	✓	536	C6T17FB37	30	575	2.0	78.5	1.15	11.81
	1800	56H	LM25099	C/A	526	SRF4S1.5T65	30	575	1.9	80.0	1.15	12.32	S, US
	1800	145T	121940.00	✓	754	C145T17FB90	34	575	1.8	86.5	1.15	13.75	S, US
	1800	145T	LM24142	✓	530	SSF4P1.5T65	48	575	1.7	84.0	1.15	14.37	S, MX
	1200	182T	132251.00	✓	1252	C182T11FB13	89	575	2.5	87.5	1.15	15.96	S, MX
	1200	182T	LM17059	C/A	972	AF6B1.5T65	83	575	2.5	86.5	1.25	15.96	A, US
	1200	182T	LM33596	C/A	972	AF6B1.5T65AP26	83	575	2.5	86.5	1.25	15.96	A, MX
	1200	182T	LM16379	C/A	822	AF6P1.5T65	85.5	575	2.0	85.5	1.25	15.19	A, US
	1200	182T	LM33597	C/A	822	AF6P1.5T65AP26	85.5	575	2.0	85.5	1.25	15.19	A, MX
2	3600	56H	LM25100	✓	634	SRF2S2T65	39	575	2.8	80.0	1.15	11.82	S, US
		145T	121941.00	✓	812	C145T34FB42	44	575	2.1	85.5	1.15	13.75	S, US
	3600	145T	LM25103	✓	690	SSF2P2T65	39	575	2.1	84.0	1.25	13.37	S, US
	1800	56H	LM25101	C/A	558	SRF4S2T65	40	575	2.3	82.5	1.15	13.82	S, US
	1800	145T	LM24108	✓	558	SSF4PT65	45	575	2.2	84.0	1.25	13.87	S, MX
	1800	145T	121942.00	✓	785	C145T17FB91	45	575	2.2	86.5	1.15	14.76	S, US
	1200	184T	132252.00	✓	1275	C184T11FB26	92	575	2.9	88.5	1.15	15.96	S, MX
	1200	184T	LM17062	C/A	1080	AF6B2T65	92	575	2.9	87.5	1.25	15.96	A, US
	1200	184T	LM33598	C/A	1080	AF6B2T65AP26	92	575	2.9	87.5	1.25	15.96	A, MX
	1200	184T	LM16382	C/A	898	AF6P2T65	102	575	2.4	86.5	1.25	15.19	A, US
1200	184T	LM33599	C/A	898	AF6P2T65AP26	102	575	2.4	86.5	1.25	15.19	A, MX	

Green items are Premium Efficient

♥ Note listing on inside back flap

▼ LM Numbers are Lincoln Models

Continued To Next Page

C/A - Check Availability

Other stock 575V motors are available from LEESON through our Canadian facility. Contact LEESON for availability.

Specifications are subject to change without notice

View On-line Technical Information



Automotive Duty Motors

Pump Motors

Washguard Motors

Agricultural Motors

HVAC / Fan Motors

Special Voltage Motors

Definite Purpose Motors

Brake Motors

IEC Motors

Special Voltage Motors

575 Volt - Three Phase - TEFC

Three Phase - TEFC - Rigid Base

HP	SYN RPM 60 Hz	NEMA Frame	▼ Catalog Number	Stock	List Price	Model Number	App. Wgt. (lbs)	Voltage	F. L. Amps @ 575 V	% F.L. Eff.	Service Factor	"C" Dim. (Inches)	♥Notes
3	3600	145T	171624.60	√	1127	C182T34FB7	66	575	3.0	86.5	1.15	13.96	C, CN
	3600	182T	LM17063	C/A	1101	AF2B3T65	83	575	3.1	87.5	1.25	15.19	A, US
	3600	182T	LM33600	C/A	1101	AF2B3T65AP26	83	575	3.1	87.5	1.25	15.19	A, MX
	3600	182T	LM16383	C/A	830	AF2P3T65	72	575	3.0	85.5	1.25	14.19	A, US
	3600	182T	LM33601	C/A	830	AF2P3T65AP26	72	575	3.0	85.5	1.25	14.19	A, US
	1800	182T	132253.00	√	888	C182T17FB52	80	575	3.3	89.5	1.15	14.96	S, MX
	1800	182T	LM17064	√	928	AF4B3T65	83	575	3.2	89.5	1.25	15.19	A, US
	1800	182T	LM33602	C/A	928	AF4B3T65AP26	83	575	3.2	89.5	1.25	15.19	A, MX
	1800	182T	LM16384	√	748	AF4P3T65	77	575	3.4	87.5	1.25	14.19	A, US
	1800	182T	LM33603	C/A	748	AF4P3T65AP26	77	575	3.4	87.5	1.25	14.19	A, MX
5	3600	184T	132254.00	√	1007	C184T34FB24	88	575	4.8	88.5	1.15	16.46	S, MX
	3600	184T	LM17066	C/A	1220	AF2BT65	92	575	5.0	88.5	1.25	15.19	A, US
	3600	184T	LM33604	C/A	1220	AF2BT65AP26	92	575	5.0	88.5	1.25	15.19	A, MX
	3600	184T	LM16386	C/A	1010	AF2P5T65	174	575	5.0	87.5	1.25	15.19	A, US
	3600	184T	LM33605	C/A	1010	AF2P5T65AP26	174	575	5.0	87.5	1.25	15.19	A, MX
	1800	184T	132255.00	√	976	C184T17FB64	94	575	5.2	89.5	1.15	15.96	S, MX
	1800	184T	LM17067	C/A	1086	AF4B5T65	87	575	5.0	90.2	1.25	16.19	A, US
	1800	184T	LM33606	C/A	1086	AF4B5T65AP26	87	575	5.0	90.2	1.25	16.19	A, MX
	1800	184T	LM16387	√	864	AF4P5T65	87.5	575	5.2	87.5	1.25	15.19	A, US
	1800	184T	LM33488	C/A	864	AF4P5T65AP26	87.5	575	5.2	87.5	1.25	15.19	A, MX
7 1/2	3600	215T	LM17068	C/A	1801	AF6B5T65	89.5	575	6.0	89.5	1.25	18.70	A, US
	3600	215T	LM16388	√	1567	AF6P5T65	155	575	6.0	87.5	1.25	18.70	A, US
	900	254T	LM33171	C/A	2543	AF8P5T65	165	575	—	85.5	1.15	—	A, US
	3600	213T	170196.60	√	1438	C213T34FB43	156	575	7.4	90.2	1.25	19.84	C, CN
	3600	213T	LM17069	C/A	1482	AF2B7.5T65	127	575	7.2	91.0	1.25	17.20	A, US
	3600	213T	LM16389	C/A	1605	AF2P7.5T65	143	575	7.2	88.5	1.25	17.20	A, US
	1800	213T	141116.00	√	1254	C213T17FB20	144	575	8.2	91.7	1.25	18.70	S, MX
	1800	213T	LM17070	C/A	1427	AF4B7.5T65	127	575	8.0	88.5	1.25	19.70	A, US
	1800	213T	LM16391	√	1333	AF4P7.5T65	160	575	8.0	91.0	1.25	19.70	A, US
	1200	254T	LM17071	C/A	2467	AF6B7.5T65	209	575	—	91.0	1.25	—	A, US
10	3600	215T	170197.60	√	1703	C215T34FB48	181	575	9.5	91.7	1.25	19.61	C, CN
	3600	215T	LM17072	C/A	1799	AF2B10T65	138	575	9.4	91.0	1.25	19.61	A, US
	3600	215T	LM16394	C/A	1894	AF2P10T65	138	575	9.4	89.5	1.25	19.61	A, US
	1800	215T	170212.60	√	1653	C215T17FB44	177	575	10.1	91.7	1.25	19.61	C, CN
	1800	215T	LM17073	C/A	1800	AF4B10T65	138	575	10.8	91.0	1.25	18.70	A, US
	1800	215T	LM16395	√	1376	AF4P10T65	138	575	10.8	89.5	1.25	18.70	A, US
	1200	256T	LM17074	C/A	3111	AF6B10T65	236	575	12.8	91.0	1.25	25.15	A, US
	1200	256T	LM16397	C/A	2725	AF6P10T65	386	575	12.8	89.5	1.25	25.15	A, US

Green items are Premium Efficient

♥ Note listing on inside back flap

▼ LM Numbers are Lincoln Models

Continued To Next Page

C/A - Check Availability

Other stock 575V motors are available from LEESON through our Canadian facility. Contact LEESON for availability.

Specifications are subject to change without notice



View On-line Technical Information



Special Voltage Motors

575 Volt - Three Phase - TEFC

Three Phase - TEFC - Rigid Base

HP	SYN RPM 60 Hz	NEMA Frame	▼ Catalog Number	Stock	List Price	Model Number	App. Wgt. (lbs)	Voltage	F. L. Amps @ 575 V	% F.L. Eff.	Service Factor	"C" Dim. (Inches)	♥Notes
15	3600	254T	170198.60	✓	2313	C254T34FB5	282	575	13.8	92.4	1.25	23.19	C, CN
	3600	254T	LM17075	C/A	2467	AF2B15T65	209	575	13.8	91.7	1.25	23.19	A, US
	3600	254T	LM16398	C/A	2102	AF2P15T65	209	575	13.8	90.2	1.25	23.19	A, US
	1800	254T	170116.60	✓	2238	C254T17FB11	280	575	14.8	92.4	1.25	23.19	C, CN
	1800	254T	LM17076	C/A	2212	AF4B15T65	209	575	15.6	92.4	1.25	23.40	A, US
	1800	254T	LM16400	✓	1974	AF4P15T65	240	575	15.6	91.0	1.25	23.40	A, US
	1200	284T	LM17077	C/A	4166	AF6B15T65	363	575	19.2	92.4	1.25	26.62	A, US
	1200	284T	LM16401	C/A	3572	AF6P15T65	369	575	19.2	90.2	1.25	26.62	A, US
	20	3600	256T	170199.60	✓	2828	C256T34FB11	316	575	18.4	92.4	1.25	24.92
3600		256T	LM17078	C/A	2938	AF2B20T65	236	575	18.8	91.7	1.25	24.24	A, US
3600		256T	LM16403	✓	2495	AF2P20T65	290	575	18.8	90.2	1.25	24.24	A, US
1800		256T	170117.60	✓	2800	C256T17FB5	322	575	19.2	93.0	1.25	24.92	C, CN
1800		256T	LM15919	✓	2340	AF4B20T65	236	575	20.0	91.0	1.25	25.15	A, US
1800		256T	LM17079	C/A	2775	AF4P20T65	275	575	21.0	93.0	1.25	25.15	A, US
1200		286T	LM17080	C/A	5470	AF6B20T65	408	575	—	93.0	1.25	—	A, US
1200		286T	LM16404	C/A	4207	AF6P20T65	408	575	—	90.2	1.25	—	A, US
25		3600	284TS	170224.60	✓	3677	C284T34FB6	383	575	22.0	93.0	1.25	24.88
	3600	284TS	LM17081	C/A	4073	AF2B25TS65	363	575	22.8	93.0	1.25	25.12	A, US
	3600	284TS	LM16406	C/A	3450	AF2P25TS65	410	575	22.8	91.7	1.25	25.12	A, US
	1800	284T	170118.60	✓	3473	C284T17FB6	385	575	23.7	93.6	1.25	—	C, CN
	1800	284T	LM17082	C/A	3674	AF4B25T65	363	575	26.4	94.1	1.25	26.62	A, US
	1800	284T	LM16407	C/A	3324	AF4P25T65	320	575	26.4	92.4	1.25	26.62	A, US
	1200	324T	LM14409	C/A	6237	SF6B25T65Y	504	575	25.6	93.0	1.25	28.50	S, US
	1200	324T	LM14397	C/A	5352	SF6P25T65Y	504	575	25.2	91.7	1.25	28.50	S, US
	30	3600	286TS	170228.60	✓	4341	C286T34FB6D	385	575	26.2	93.0	1.25	26.46
3600		286TS	LM20085	C/A	4577	AF2B30TS65Y	485	575	26.4	93.6	1.25	26.62	A, US
3600		286TS	LM19594	C/A	3916	AF2P30TS65Y	408	575	28.0	91.0	1.25	26.62	A, US
1800		286T	170119.60	✓	4046	C286T17FB6	432	575	29.0	94.1	1.25	27.83	C, CN
1800		286T	LM20086	C/A	4838	AF4B30T65Y	408	575	30.0	93.6	1.25	28.12	A, US
1800		286T	LM19595	✓	3739	AF4P30T65Y	585	575	30.5	92.4	1.25	28.12	A, US
1200		326T	LM14412	C/A	6901	SF6B30T65Y	558	575	30.0	92.4	1.25	30.56	S, US
1200		326T	LM14400	C/A	6306	SF6P30T65Y	570	575	30.0	91.7	1.25	30.56	S, US
40		3600	324TS	170232.60	✓	5414	C324T34FB4	504	575	36.0	93.6	1.25	28.03
	3600	324TS	LM14407	C/A	5788	SF2B40TS65Y	504	575	36.0	94.1	1.25	28.03	S, US
	3600	324TS	LM14395	C/A	5005	SF2P40TS65Y	504	575	36.0	91.7	1.25	28.03	S, US
	1800	324TS	170120.60	✓	5375	C324T17FB6	528	575	38.1	94.1	1.25	29.53	C, CN
	1800	324T	LM14408	C/A	5565	SF4B40T65Y	504	575	42.4	94.1	1.25	28.50	S, US
	1800	324T	LM14396	C/A	4813	SF4P40T65Y	504	575	42.4	93.0	1.15	28.50	S, US
	1200	364T	LM18368	C/A	8094	SF6B40T65Y	765	575	47.0	94.5	1.25	31.90	S, US
	1200	364T	LM18365	C/A	6929	SF6P40T65Y	765	575	47.0	93.0	1.15	31.90	S, US
	50	3600	326TS	LM14410	C/A	7346	SF2B50TS65Y	558	575	45.0	93.0	1.15	28.50
3600		326TS	LM14398	C/A	6352	SF2P50TS65Y	558	575	45.0	92.4	1.15	28.50	S, US
1800		326T	170121.60	✓	6492	C326T17FB8	587	575	46.7	94.5	1.25	31.02	C, CN
1800		326T	LM14411	C/A	6678	SF4B50T65Y	558	575	51.6	95.0	1.25	30.00	S, US
1800		326T	LM14399	✓	5405	SF4P50T65Y	558	575	51.6	93.0	1.25	30.00	S, US
1200		365T	LM18374	C/A	10119	SF6B50T65Y	822	575	58.0	94.5	1.25	32.90	S, US
1200		365T	LM18371	✓	8666	SF6P50T65Y	822	575	58.0	93.0	1.25	32.90	S, US

Green items are Premium Efficient

♥ Note listing on inside back flap

▼ LM Numbers are Lincoln Models

Continued To Next Page

C/A - Check Availability

Other stock 575V motors are available from LEESON through our Canadian facility. Contact LEESON for availability.

Specifications are subject to change without notice

View On-line Technical Information



Automotive Duty Motors

Pump Motors

Washguard Motors

Agricultural Motors

HVAC / Fan Motors

Special Voltage Motors

Definite Purpose Motors

Brake Motors

IEC Motors

Special Voltage Motors

575 Volt - Three Phase - TEFC

Three Phase - TEFC - Rigid Base

HP	SYN RPM 60 Hz	NEMA Frame	▼ Catalog Number	Stock	List Price	Model Number	App. Wgt. (lbs)	Voltage	F. L. Amps @ 575 V	% F.L. Eff.	Service Factor	"C" Dim. (Inches)	♥Notes
60	3600	364TS	LM18370	C/A	9110	SF2B60TS65Y	765	575	53.0	95.0	1.25	29.77	S, US
	3600	364TS	LM18367	C/A	7797	SF2P60TS65Y	765	575	53.0	93.0	1.25	29.77	S, US
	1800	364T	170239.60	√	9234	C364T17FB7	666	575	54.4	95.4	1.25	32.64	C, CN
	1800	364T	LM18369	C/A	8905	SF4B60T65Y	765	575	58.0	95.0	1.25	31.90	S, US
	1800	364T	LM18366	√	7821	SF4P60T65Y	765	575	58.0	93.6	1.25	31.90	S, US
	1200	404T	LM18289	C/A	11890	SF6B60T65Y	918	575	—	94.5	1.15	—	S, US
75	1200	404T	LM18288	C/A	9943	SF6P60T65Y	918	575	—	93.6	1.15	—	S, US
	3600	365TS	LM18376	C/A	11737	SF2B75TS65Y	822	575	66.5	95.0	1.25	30.77	S, US
	3600	365TS	LM18373	C/A	10052	SF2P75TS65Y	822	575	66.5	93.0	1.25	30.77	S, US
	1800	365T	170244.60	√	11523	C365T17FB5	733	575	68.7	95.8	1.25	33.62	C, CN
	1800	365T	LM18375	C/A	11636	SF4B75T65Y	822	575	73.0	95.0	1.15	32.90	S, US
	1800	365T	LM18372	√	9865	SF4P75T65Y	822	575	73.0	94.1	1.25	32.90	S, US
100	1200	405T	LM18293	C/A	15433	SF6B75T65Y	1002	575	84.0	94.5	1.15	17.25	S, US
	1200	405T	LM18294	C/A	12904	SF6P75T65Y	1002	575	84.0	93.6	1.15	17.25	S, US
	3600	405TS	LM18291	C/A	16494	SF2B100TS65Y	1002	575	—	95.8	1.15	—	S, US
	3600	405TS	LM18290	C/A	13753	SF2P100TS65Y	1002	575	—	94.1	1.15	—	S, US
	1800	405T	170253.60	√	14329	C405T17FB5	1070	575	89.6	95.4	1.25	37.91	C, CN
	1800	405T	LM18307	C/A	14670	SF4B100T65Y	1002	575	—	95.4	1.15	—	S, US
125	1800	405T	LM18292	C/A	11918	SF4P100T65Y	1002	575	—	94.5	1.15	—	S, US
	1200	444T	LM15121	C/A	19723	SF6B100T65Y	1351	575	—	95.4	1.15	—	S, US
	1200	444T	LM15080	C/A	15865	SF6P100T65Y	1351	575	—	94.1	1.15	—	S, US
	3600	444TS	LM15119	C/A	21148	SF2B125TS65Y	1351	575	106.0	95.8	1.15	37.49	S, US
	3600	444TS	LM15078	C/A	16750	SF2P125TS65Y	1351	575	106.0	94.5	1.15	37.49	S, US
	1800	444T	LM15120	C/A	19587	SF4B125T65Y	1351	575	117.0	96.2	1.15	41.58	S, US
150	1800	444T	LM15079	√	15931	SF4P125T65Y	1351	575	117.0	94.5	1.15	41.58	S, US
	1200	445T	LM15127	C/A	23932	SF6B125T65Y	1531	575	138.0	95.8	1.15	43.58	S, US
	1200	445T	LM15086	C/A	18951	SF6P125T65Y	1504	575	138.0	94.1	1.15	43.58	S, US
	3600	445TS	LM15125	C/A	26176	SF2B150TS65Y	1531	575	—	94.5	1.15	—	S, US
	3600	445TS	LM15084	C/A	20730	SF2P150TS65Y	1504	575	—	94.5	1.15	—	S, US
	1800	445T	LM15126	C/A	22932	SF4B150T65Y	1531	575	136.0	96.2	1.15	43.56	S, US
200	1800	445T	LM15085	C/A	18479	SF4P150T65Y	1531	575	136.0	95.0	1.15	43.56	S, US
	1200	445T	LM15124	C/A	28048	SF6B150T65Y	1531	575	—	95.8	1.15	—	S, US
	1200	445T	LM15083	C/A	22212	SF6P150T65Y	1504	575	—	95.0	1.15	—	S, US
	3600	445TS	LM15122	C/A	33170	SF2B200TS65Y	1531	575	—	96.2	1.15	—	S, US
	3600	445TS	LM15081	C/A	26270	SF2P200TS65Y	1504	575	—	95.0	1.15	—	S, US
	1800	445T	LM15123	C/A	27606	SF4B200T65Y	1531	575	188.0	96.2	1.15	43.58	S, US
Definite Purpose Motors	1800	445T	LM15082	√	22854	SF4P200T65Y	1531	575	188.0	95.0	1.15	43.58	S, US
	1200	447T	LM15131	C/A	32055	SF6B200T65Y	1812	575	203.0	95.8	1.15	52.08	S, US
	1200	447T	LM15091	C/A	25387	SF6P200T65Y	1812	575	203.0	95.0	1.15	52.08	S, US

Green items are Premium Efficient

♥ Note listing on inside back flap

▼ LM Numbers are Lincoln Models

Continued To Next Page

C/A - Check Availability

Other stock 575V motors are available from LEESON through our Canadian facility. Contact LEESON for availability.

Specifications are subject to change without notice



View On-line Technical Information



Special Voltage Motors

575 Volt - Three Phase - TEFC

Three Phase - TEFC - Rigid Base

HP	SYN RPM 60 Hz	NEMA Frame	▼ Catalog Number	Stock	List Price	Model Number	App. Wgt. (lbs)	Voltage	F. L. Amps @ 575 V	% F.L. Eff.	Service Factor	"C" Dim. (Inches)	♥Notes
250	3600	447TS	LM15128	C/A	40073	SF2B250TS65Y	1812	575	---	96.2	1.15	---	S, US
	3600	447TS	LM15087	C/A	31733	SF2P250TS65Y	1812	575	---	95.4	1.0	---	S, US
	1800	447T	LM15130	C/A	32944	SF4B250T65Y	1812	575	226.0	95.4	1.15	47.08	S, US
	1800	447T	LM15092	C/A	27278	SF4P250T65Y	1812	575	231.0	95.0	1.15	---	S, US
	1200	449T	LM15137	C/A	40062	SF6B250T65Y	2185	575	---	95.4	1.15	---	S, US
	1200	449T	LM15099	C/A	31733	SF6P250T65Y	2185	575	---	95.0	1.15	---	S, US
300	3600	449TS	LM15138	C/A	49885	S449F2B300TS65Y	2185	575	---	96.2	1.15	---	S, US
	3600	449TS	LM15098	C/A	38785	S449F2P300TS65Y	2185	575	---	95.4	1.15	---	S, US
	1800	447T	LM15129	C/A	36064	SF4B300T65Y	1812	575	282.0	96.2	1.15	47.08	S, US
	1800	447T	LM15089	C/A	28519	SF4P300T65Y	1800	575	282.0	95.4	1.0	47.08	S, US
350	3600	449TS	LM15135	C/A	54320	SF2B350TS65Y	2185	575	---	95.8	1.15	---	S, US
	3600	449TS	LM15096	C/A	43013	SF2P350TS65Y	2185	575	---	95.4	1.0	---	S, US
	1800	449T	LM15136	C/A	44525	SF4B350T65Y	2185	575	322.0	96.2	1.15	52.06	S, US
	1800	449T	LM15097	C/A	31015	SF4P350T65Y	2185	575	316.0	95.4	1.15	52.06	S, US
400	3600	449TS	LM15132	C/A	66339	SF2B400TS65Y	2185	575	---	95.8	1.0	---	S, US
	3600	449TS	LM15093	C/A	52538	SF2P400TS65Y	2185	575	---	95.4	1.0	---	S, US
	1800	449T	LM15133	C/A	51201	SF4B400T65Y	2185	575	382.0	96.2	1.15	52.08	S, US
	1800	449T	LM15094	C/A	39066	SF4P400T65Y	2185	575	382.0	95.4	1.0	52.08	S, US

Green items are Premium Efficient

♥ Note listing on inside back flap

▼ LM Numbers are Lincoln Models

C/A - Check Availability

Other stock 575V motors are available from LEESON through our Canadian facility. Contact LEESON for availability.

Specifications are subject to change without notice

575 Volt - TEFC - C Face Less Base

Three Phase - TEFC - C Face Less Base

HP	SYN RPM 60 Hz	NEMA Frame	Catalog Number	Stock	List Price	Model Number	App. Wgt. (lbs)	Voltage	F. L. Amps @ 575 V	% F.L. Eff.	Service Factor	"C" Dim. (Inches)	♥Notes
1/2	1800	56C	110176.00	✓	453	C6T17NC10	20	575	0.8	79.0	1.15	9.94	S, US, 12
3/4	1800	56C	110177.00	✓	486	C6T17FC7	21	575	1.1	77.0	1.15	10.81	S, US, 13
1	1800	56C	110204.00	✓	520	C6T17FC8	30	575	1.5	77.0	1.15	11.31	S, US, 13
	1800	143TC	G120176.00	✓	535	C143T17FC22	32	575	1.2	82.5	1.15	12.25	S, US, 13
1 1/2	1800	56C	111444.00	✓	551	C6T17FC39	33	575	2.0	78.5	1.15	11.81	S, US, 13
	1800	145TC	G120177.00	✓	580	C145T17FC61	31	575	1.8	84.0	1.15	12.75	S, US, 13
2	3600	56C	111611.00	✓	608	C6T34FC26	34	575	2.2	82.5	1.15	12.31	S, US, 13
	1800	145TC	G120178.00	✓	618	C145T17FC60	45	575	2.3	84.0	1.15	13.75	S, US, 13
3	1800	182TC	G131498.00	✓	711	C182T17FC36	68	575	3.3	87.5	1.15	13.97	S, MX, 13
5	1800	184TC	G131499.00	✓	858	C184T17FC47	76	575	5.2	87.5	1.15	14.97	S, MX, 13

Specifications are subject to change without notice

♥ Note listing on inside back flap

View On-line Technical Information



Automotive Duty Motors

Pump Motors

Washguard Motors

Agricultural Motors

HVAC / Fan Motors

Special Voltage Motors

Definite Purpose Motors

Brake Motors

IEC Motors

Special Voltage Motors

TEFC 575 Volt C Face With Feet

Three Phase - TEFC - C Face With Base

HP	SYN RPM 60 Hz	NEMA Frame	▼ Catalog Number	Stock	List Price	Model Number	App. Wgt. (lbs)	Voltage	F. L. Amps @ 575 V	% F.L. Eff.	Service Factor	"C" Dim. (Inches)	♥Notes
1/3	1800	56C	LM25042	✓	439	SRF4S0.33TC65	21	575	0.6	65.5	1.15	10.19	S, MX
	3600	56C	LM25043	C/A	447	SRF2S0.5TC65	22	575	0.6	66.5	1.15	11.31	S, US
1/2	1800	56C	LM24355	✓	494	SRF4S0.5TC65	18	575	0.9	70.0	1.15	10.69	S, MX
	3600	56C	LM25044	C/A	491	SRF2S0.75TC65	24	575	1.3	74.0	1.15	11.81	S, US
3/4	1800	56C	LM24354	✓	527	SRF4S0.75TC65	21	575	1.1	75.5	1.15	11.19	S, MX
	3600	56C	LM25045	C/A	566	SRF2S1TC65	25	575	1.5	74.0	1.15	11.81	S, US
1	1800	56C	LM25046	✓	546	SRF4S1TC65	26	575	1.4	77.0	1.15	12.31	S, MX
	1800	143TC	LM25051	C/A	570	SSF4P1TC65	41	575	1.2	82.5	1.25	12.87	S, MX
1 1/2	3600	143TC	LM25052	C/A	650	SSF2P1.5TC65	41	575	0.6	82.5	1.25	10.19	S, MX
	3600	56C	LM25047	C/A	577	SRF2S1.5TC65	41	575	1.9	80.0	1.15	12.32	S, MX
1 1/2	1800	56HC	LM25048	✓	577	SRF4S1.5TC65	31	575	1.9	80.0	1.15	12.32	S, MX
	1800	145TC	LM24158	✓	580	SSF4P1.5TC65	49	575	1.7	84.0	1.15	14.37	S, MX
2	1200	182TC	LM17175	C/A	1048	AF6B1.5TC65	95	575	—	86.5	1.25	—	A, US
	1200	182TC	LM33607	C/A	1048	AF6B1.5TC65AP26	95	575	—	86.5	1.25	—	A, MX
2	1200	182TC	LM16582	C/A	899	AF6P1.5TC65	95	575	—	85.5	1.25	—	A, US
	1200	182TC	LM33608	C/A	899	AF6P1.5TC65AP26	95	575	—	85.5	1.25	—	A, MX
2	3600	56HC	LM25049	C/A	684	SRF2S2TC65	31	575	2.4	80.0	1.15	12.32	S, US
	3600	145TC	LM25053	C/A	741	SSF2P2TC65	40	575	2.1	84.0	1.25	13.37	S, US
2	1800	56HC	LM25050	✓	586	SRF4S2TC65	50	575	2.3	82.5	1.15	13.82	S, US
	1800	145TC	LM24137	✓	609	SSF4P2TC65	47	575	2.3	84.0	1.15	13.87	S, MX
2	1200	184TC	LM17179	C/A	1158	AF6B2TC65	104	575	2.9	87.5	1.25	15.96	A, US
	1200	184TC	LM33609	C/A	1158	AF6B2TC65AP26	104	575	2.9	87.5	1.25	15.96	A, MX
2	1200	184TC	LM16587	C/A	977	AF6P2TC65	104	575	2.4	86.5	1.25	15.19	A, US
	1200	184TC	LM33610	C/A	977	AF6P2TC65AP26	104	575	2.4	86.5	1.25	15.19	A, MX
3	3600	182TC	LM17180	C/A	1136	AF2B3TC65	95	575	3.1	87.5	1.25	15.19	A, US
	3600	182TC	LM33611	C/A	1136	AF2B3TC65AP26	95	575	3.1	87.5	1.25	15.19	A, MX
3	3600	182TC	LM16589	C/A	909	AF2P3TC65	95	575	3.0	85.5	1.25	14.19	A, US
	3600	182TC	LM33612	C/A	909	AF2P3TC65AP26	95	575	3.0	85.5	1.25	14.19	A, MX
3	1800	182TC	LM17181	C/A	1006	AF4B3TC65	95	575	3.2	89.5	1.25	15.19	A, US
	1800	182TC	LM33613	C/A	1006	AF4B3TC65AP26	95	575	3.2	89.5	1.25	15.19	A, MX
3	1800	182TC	LM16590	C/A	823	AF4P3TC65	95	575	3.4	87.5	1.25	14.19	A, US
	1800	182TC	LM33614	C/A	823	AF4P3TC65AP26	95	575	3.4	87.5	1.25	14.19	A, MX
3	1200	213TC	LM17182	C/A	1384	AF6B3TC65	138	575	3.9	89.5	1.25	17.20	A, US
	1200	213TC	LM16591	C/A	1244	AF6P3TC65	138	575	3.9	87.5	1.25	17.20	A, US
5	3600	184TC	LM17183	C/A	1296	AF2B5TC65	104	575	5.0	88.5	1.25	15.19	A, US
	3600	184TC	LM33615	C/A	1296	AF2B5TC65AP26	104	575	5.0	88.5	1.25	15.19	A, MX
5	3600	184TC	LM16592	C/A	1086	AF2P5TC65	104	575	5.0	87.5	1.25	15.19	A, US
	3600	184TC	LM33616	C/A	1086	AF2P5TC65AP26	104	575	5.0	87.5	1.25	15.19	A, MX
5	1800	184TC	LM17184	C/A	1167	AF4B5TC65	104	575	5.0	89.5	1.25	16.19	A, US
	1800	184TC	LM33617	C/A	1167	AF4B5TC65AP26	104	575	5.0	89.5	1.25	16.19	A, MX
5	1800	184TC	LM16593	✓	941	AF4P5TC65	104	575	5.2	87.5	1.25	15.19	A, MX
	1800	184TC	LM33490	C/A	941	AF4P5TC65AP26	104	575	5.2	87.5	1.25	15.19	A, US
5	1200	215TC	LM17185	C/A	1889	AF6B5TC65	149	575	6.0	89.5	1.25	18.70	A, US
	1200	215TC	LM16594	C/A	1657	AF6P5TC65	149	575	6.0	87.5	1.25	18.70	A, US

Green items are Premium Efficient

♥ Note listing on inside back flap

▼ LM Numbers are Lincoln Models

Continued To Next Page

C/A - Check Availability

Specifications are subject to change without notice



View On-line Technical Information



Special Voltage Motors

TEFC 575 Volt C Face With Feet

Three Phase - TEFC - C Face With Base

HP	SYN RPM 60 Hz	NEMA Frame	▼ Catalog Number	Stock	List Price	Model Number	App. Wgt. (lbs)	Voltage	F. L. Amps @ 575 V	% F.L. Eff.	Service Factor	"C" Dim. (Inches)	♥Notes
7 1/2	3600	213TC	LM17186	C/A	1570	AF2B7.5TC65	138	575	7.2	91.0	1.25	17.20	A, US
	3600	213TC	LM16595	C/A	1374	AF2P7.5TC65	175	575	7.2	88.5	1.25	17.20	A, US
	1800	213TC	LM17187	C/A	1514	AF4B7.5TC65	138	575	8.0	91.0	1.25	19.70	A, US
	1800	213TC	LM16596	C/A	1357	AF4P7.5TC65	127	575	8.0	89.5	1.25	19.70	A, US
	1200	254TC	LM17188	C/A	2585	AF6B7.5TC65	221	575	—	91.0	1.25	—	A, US
	1200	254TC	LM16597	C/A	2279	AF6P7.5TC65	221	575	—	89.5	1.25	—	A, US
10	3600	215TC	LM17189	C/A	1961	AF2B10TC65	149	575	9.4	91.0	1.25	19.61	A, US
	3600	215TC	LM16598	C/A	1793	AF2P10TC65	210	575	9.4	89.5	1.25	19.61	A, US
	1800	215TC	LM17190	C/A	1888	AF4B10TC65	149	575	10.8	91.0	1.25	18.70	A, US
	1800	215TC	LM16599	✓	1439	AF4P10TC65	200	575	10.8	89.5	1.25	18.70	A, US
	1200	256TC	LM17191	C/A	3231	AF6B10TC65	248	575	12.8	91.0	1.25	25.15	A, US
	1200	256TC	LM16600	C/A	2844	AF6P10TC65	200	575	12.8	89.5	1.25	25.15	A, US
15	3600	254TC	LM17192	C/A	2586	AF2B15TC65	221	575	13.8	91.7	1.25	23.19	A, US
	3600	254TC	LM16601	C/A	2404	AF2P15TC65	185	575	13.8	90.2	1.25	23.19	A, US
	1800	254TC	LM17193	C/A	2329	AF4B15TC65	221	575	15.6	92.4	1.25	23.40	A, US
	1800	254TC	LM16602	✓	2090	AF4P15TC65	260	575	15.6	91.0	1.25	23.40	A, US
	1200	284TC	LM17194	C/A	4373	AF6B15TC65	370	575	19.2	92.4	1.25	26.62	A, US
	1200	284TC	LM16603	C/A	3778	AF6P15TC65	500	575	19.2	90.2	1.25	26.62	A, US
20	3600	256TC	LM17195	C/A	3055	AF2B20TC65	248	575	18.8	91.7	1.25	24.24	A, US
	3600	256TC	LM16604	C/A	2612	AF2P20TC65	248	575	18.8	90.2	1.25	24.24	A, US
	1800	256TC	LM17196	C/A	2892	AF4B20TC65	248	575	21.0	93.0	1.25	25.15	A, US
	1800	256TC	LM16605	✓	2460	AF4P20TC65	300	575	20.0	91.0	1.25	25.15	A, US
	1200	286TC	LM17197	C/A	5673	AF6B20TC65	415	575	—	93.0	1.25	—	A, US
	1200	286TC	LM16606	C/A	4412	AF6P20TC65	415	575	—	90.2	1.25	—	A, US
25	3600	284TSC	LM17198	C/A	4279	AF2B25TSC65	370	575	22.8	93.0	1.25	25.12	A, US
	3600	284TSC	LM16607	C/A	3530	AF2P25TSC65	370	575	22.8	91.0	1.25	25.12	A, US
	1800	284TC	LM17199	C/A	3878	AF4B25TC65	370	575	26.4	94.1	1.25	26.62	A, US
	1800	284TC	LM16608	C/A	3334	AF4P25TC65	370	575	26.4	92.4	1.25	26.62	A, US
	1200	324TC	LM14563	C/A	6578	SF6B25TC65Y	514	575	25.6	93.0	1.25	28.50	S, US
	1200	324TC	LM14551	C/A	5693	SF6P25TC65Y	500	575	25.2	91.7	1.25	28.50	S, US
30	3600	286TSC	LM20087	C/A	4779	AF2B30TSC65Y	415	575	26.4	93.0	1.25	26.62	A, US
	3600	286TSC	LM19596	C/A	4120	AF2P30TSC65Y	415	575	28.0	91.0	1.25	26.62	A, US
	1800	286TC	LM20088	C/A	5039	AF4B30TC65Y	415	575	30.0	94.5	1.25	28.12	A, US
	1800	286TC	LM19597	✓	3945	AF4P30TC65Y	415	575	30.5	92.4	1.25	28.12	A, US
	1200	326TC	LM14566	C/A	7240	SF6B30TC65Y	568	575	30.0	92.4	1.25	30.56	S, US
	1200	326TC	LM14554	C/A	6308	SF6P30TC65Y	580	575	30.0	91.7	1.25	30.56	S, US
40	3600	324TSC	LM14561	C/A	6128	SF2B40TSC65Y	514	575	36.0	94.1	1.25	28.03	S, US
	3600	324TSC	LM14549	C/A	5344	SF2P40TSC65Y	514	575	36.0	91.7	1.25	28.03	S, US
	1800	324TC	LM14562	C/A	5904	SF4B40TC65Y	514	575	42.4	94.1	1.25	28.50	S, US
	1800	324TC	LM14550	C/A	5155	SF4P40TC65Y	518	575	42.4	93.0	1.25	28.50	S, US
	1200	364TC	LM20035	C/A	8641	SF6B40TC65Y	777	575	47.0	94.5	1.25	31.90	S, US
	1200	364TC	LM19598	C/A	7474	SF6P40TC65Y	777	575	47.0	93.0	1.25	31.90	S, US
50	3600	326TSC	LM14564	C/A	7685	SF2B50TSC65Y	568	575	45.0	94.1	1.25	28.50	S, US
	3600	326TSC	LM14552	✓	6694	SF2P50TSC65Y	568	575	45.0	92.4	1.25	28.50	S, US
	1800	326TC	LM14565	C/A	7018	SF4B50TC65Y	568	575	51.6	95.0	1.25	30.00	S, US
	1800	326TC	LM14553	C/A	5755	SF4P50TC65Y	568	575	51.6	93.0	1.25	30.00	S, US
	1200	365TC	LM20036	C/A	10664	SF6B50TC65Y	834	575	58.0	94.5	1.25	32.90	S, US
	1200	365TC	LM19599	C/A	9211	SF6P50TC65Y	834	575	58.0	93.0	1.25	32.90	S, US

Green items are Premium Efficient

♥ Note listing on inside back flap

▼ LM Numbers are Lincoln Models

Continued To Next Page

C/A - Check Availability

Specifications are subject to change without notice

View On-line Technical Information



Automotive Duty Motors

Pump Motors

Washguard Motors

Agricultural Motors

HVAC / Fan Motors

Special Voltage Motors

Definite Purpose Motors

Brake Motors

IEC Motors

Special Voltage Motors

TEFC 575 Volt C Face With Feet

Three Phase - TEFC - C Face With Base

HP	SYN RPM 60 Hz	NEMA Frame	▼ Catalog Number	Stock	List Price	Model Number	App. Wgt. (lbs)	Voltage	F. L. Amps @ 575 V	% F.L. Eff.	Service Factor	"C" Dim. (Inches)	♥Notes
60	3600	364TSC	LM20037	C/A	9653	SF2B60TSC65Y	777	575	53.0	95.0	1.25	29.77	S, US
	3600	364TSC	LM19600	C/A	8344	SF2P60TSC65Y	777	575	53.0	93.0	1.25	29.77	S, US
	1800	364TC	LM20038	C/A	10057	SF4B60TC65Y	778	575	58.0	95.0	1.25	31.90	S, US
	1800	364TC	LM19603	C/A	8378	SF4P60TC65Y	778	575	58.0	93.6	1.25	31.90	S, US
	1200	404TC	LM20039	C/A	12536	SF6B60TC65Y	934	575	---	94.5	1.15	---	S, US
	1200	404TC	LM19601	C/A	10591	SF6P60TC65Y	934	575	---	93.6	1.15	---	S, US
75	3600	365TSC	LM20040	C/A	12284	SF2B75TSC65Y	834	575	66.5	95.0	1.25	30.77	S, US
	3600	365TSC	LM19602	C/A	10597	SF2P75TSC65Y	834	575	66.5	93.0	1.25	30.77	S, US
	1800	365TC	LM20041	C/A	12180	SF4B75TC65Y	834	575	73.0	95.0	1.15	32.90	S, US
	1800	365TC	LM15921	✓	10410	SF4P75TC65Y	835	575	73.0	94.1	1.25	32.90	S, US
	1200	405TC	LM20042	C/A	16078	SF6B75TC65Y	1018	575	84.0	94.5	1.15	17.25	S, US
	1200	405TC	LM19604	C/A	13551	SF6P75TC65Y	1018	575	84.0	93.6	1.15	17.25	S, US
100	3600	405TSC	LM20043	C/A	17140	SF2B100TSC65Y	1018	575	---	95.8	1.15	---	S, US
	3600	405TSC	LM19605	C/A	14400	SF2P100TSC65Y	1018	575	---	93.6	1.15	---	S, US
	1800	405TC	LM20044	C/A	15320	SF4B100TC65Y	1001	575	---	95.4	1.15	---	S, US
	1800	405TC	LM19606	C/A	12582	SF4P100TC65Y	1018	575	---	94.5	1.15	---	S, US
	1200	444TC	LM20045	C/A	20527	SF6B100TC65Y	1372	575	---	95.4	1.15	---	S, US
	1200	444TC	LM19607	C/A	16669	SF6P100TC65Y	1372	575	---	94.1	1.15	---	S, US
125	3600	444TSC	LM20046	C/A	21950	SF2B125TSC65Y	1372	575	106.0	95.8	1.15	37.49	S, US
	3600	444TSC	LM19608	C/A	17551	SF2P125TSC65Y	1372	575	106.0	94.5	1.15	37.49	S, US
	1800	444TC	LM20047	C/A	20392	SF4B125TC65Y	1372	575	117.0	96.2	1.15	41.58	S, US
	1800	444TC	LM19609	C/A	16753	SF4P125TC65Y	1372	575	117.0	94.5	1.15	41.58	S, US
	1200	445TC	LM20048	C/A	24733	SF6B125TC65Y	1552	575	138.0	95.8	1.15	43.58	S, US
	1200	445TC	LM19610	C/A	19751	SF6P125TC65Y	1525	575	138.0	94.1	1.15	43.58	S, US
150	3600	445TSC	LM20049	C/A	27095	SF2B150TSC65Y	1552	575	---	96.2	1.15	---	S, US
	3600	445TSC	LM19611	C/A	21534	SF2P150TSC65Y	1525	575	---	94.5	1.15	---	S, US
	1800	445TC	LM20050	C/A	23735	SF4B150TC65Y	1552	575	136.0	96.2	1.15	43.56	S, US
	1800	445TC	LM19612	C/A	19294	SF4P150TC65Y	1525	575	136.0	95.0	1.15	43.56	S, US
	1200	445TC	LM20051	C/A	28853	SF6B150TC65Y	1552	575	---	95.8	1.15	---	S, US
	1200	445TC	LM19613	C/A	23016	SF6P150TC65Y	1525	575	---	95.0	1.15	---	S, US
200	3600	445TSC	LM20052	C/A	33972	SF2B200TSC65Y	1552	575	---	96.2	1.15	---	S, US
	3600	445TSC	LM19614	C/A	27071	SF2P200TSC65Y	1525	575	---	95.0	1.15	---	S, US
	1800	445TC	LM20053	C/A	28408	SF4B200TC65Y	1552	575	188.0	96.2	1.15	43.58	S, US
	1800	445TC	LM17685	C/A	23692	SF4P200TC65Y	1537	575	188.0	95.0	1.15	43.58	S, US
	1200	447TC	LM20054	C/A	32915	SF6B200TC65Y	1833	575	203.0	95.8	1.15	52.08	S, US
	1200	447TC	LM19615	C/A	26246	SF6P200TC65Y	1833	575	203.0	95.0	1.15	52.08	S, US
250	3600	447TSC	LM20055	C/A	40929	SF2B250TSC65Y	1833	575	---	96.2	1.15	---	S, US
	3600	447TSC	LM19616	C/A	32593	SF2P250TSC65Y	1833	575	---	95.4	1.0	---	S, US
	1800	447TC	LM20056	C/A	33805	SF4B250TC65Y	1833	575	226.0	96.2	1.15	47.08	S, US
	1800	447TC	LM19617	C/A	28177	SF4P250TC65Y	1833	575	231.0	95.0	1.15	47.08	S, US

Green items are Premium Efficient

♥ Note listing on inside back flap

▼ LM Numbers are Lincoln Models

Continued To Next Page

C/A - Check Availability

Specifications are subject to change without notice



View On-line Technical Information



Special Voltage Motors

TEFC 575 Volt C Face with Feet

Three Phase - TEFC - C Face With Base

HP	SYN RPM 60 Hz	NEMA Frame	▼ Catalog Number	Stock	List Price	Model Number	App. Wgt. (lbs)	Voltage	F. L. Amps @ 575 V	% F.L. Eff.	Service Factor	"C" Dim. (Inches)	♥Notes
300	3600	449TSC	LM20058	C/A	50744	S449F2B300TSC65Y	2206	575	---	96.2	1.15	---	S, US
	3600	449TSC	LM19619	C/A	39644	S449F2P300TSC65Y	2206	575	---	95.4	1.15	---	S, US
	1800	447TC	LM20059	C/A	36923	SF4B300TC65Y	1833	575	282.0	96.2	1.15	47.08	S, US
	1800	447TC	LM19620	C/A	29441	SF4P300TC65Y	1833	575	282.0	95.4	1.00	47.08	S, US
350	3600	449TSC	LM20061	C/A	55179	SF2B350TSC65Y	2206	575	---	95.8	1.15	---	S, US
	3600	449TSC	LM19623	C/A	43875	SF2P350TSC65Y	2206	575	---	95.4	1.00	---	S, US
	1800	449TC	LM20062	C/A	45383	SF4B350TC65Y	2206	575	322.0	96.2	1.15	52.06	S, US
	1800	449TC	LM19624	C/A	30460	SF4P350TC65Y	2206	575	316.0	95.4	1.15	52.06	S, US
400	3600	449TSC	LM20063	C/A	67197	SF2B400TSC65Y	2206	575	---	95.8	1.00	---	S, US
	3600	449TSC	LM19625	C/A	53397	SF2P400TSC65Y	2206	575	---	95.4	1.00	---	S, US
	1800	449TC	LM20064	C/A	52061	SF4B400TC65Y	2206	575	382.0	96.2	1.15	52.08	S, US
	1800	449TC	LM19626	C/A	39988	SF4P400TC65Y	2206	575	382.0	95.4	1.00	52.08	S, US

Green items are Premium Efficient

♥ Note listing on inside back flap

▼ LM Numbers are Lincoln Models

C/A - Check Availability

Specifications are subject to change without notice

Automotive
Duty Motors

Pump
Motors

Washguard
Motors

Agricultural
Motors

HVAC / Fan
Motors

Special Voltage
Motors

Definite
Purpose Motors

Brake Motors

IEC Motors

View On-line Technical Information



Special Voltage Motors

575 Volt Motors - Drip-Proof - Rigid Base



Three Phase - Drip-Proof - Rigid Base

HP	SYN RPM 60 Hz	NEMA Frame	▼ Catalog Number	Stock	List Price	Model Number	App. Wgt. (lbs)	Voltage	F. L. Amps @ 575 V	% F.L. Eff.	Service Factor	"C" Dim. (Inches)	♥Notes
1/3	1800	56	LM25054	✓	339	SRD4S0.33T65	15	575	0.6	65.5	1.15	9.97	S, MX
1/2	3600	56	LM25055	C/A	341	SRD2S0.5T65	22	575	—	66.0	1.25	—	S, MX
	1800	56	LM24161	✓	391	SRD4S0.5T65	17	575	0.9	70.0	1.25	10.47	S, MX
3/4	3600	56	LM25056	C/A	401	SRD2S0.75T65	21	575	—	74.0	1.25	—	S, MX
	1800	56	LM25057	✓	433	SRD4S0.75T65	20	575	1.2	75.5	1.15	10.44	S, MX
1	3600	56	LM25058	✓	464	SRD2S1T65	24	575	1.5	74.0	1.25	10.44	S, US
	1800	56	LM25059	✓	450	SRD4S1T65	22	575	1.5	77.0	1.15	10.94	S, US
1 1/2	1800	143T	LM24170	C/A	469	SSD4P1T65	34	575	1.2	82.5	1.25	12.49	S, US
	3600	56	LM25060	C/A	520	SRD2S1.5T65	23	575	2.0	80.0	1.15	10.44	S, US
1 1/2	3600	143T	LM25065	C/A	560	SSD2P1.5T65	28	575	—	82.5	1.25	—	S, US
	1800	56H	LM25061	✓	478	SRD4S1.5T65	28	575	1.9	80.0	1.15	10.94	S, MX
	1800	145T	LM25066	C/A	496	SSD4P1.5T65	40	575	1.8	84.0	1.25	12.49	S, US
2	3600	56H	LM25062	✓	608	SRD2S2T65	25	575	2.5	80.0	1.15	10.44	S, US
	3600	145T	LM25067	C/A	660	SSD2P2T65	28	575	—	84.0	1.25	—	S, US
2	1800	56H	LM25063	✓	589	SRD4S2T65	36	575	2.5	81.5	1.15	11.94	S, US
	1800	145T	LM24124	C/A	566	SSD4P2T65	44	575	2.7	84.0	1.25	12.99	S, MX
	3600	56H	LM25064	C/A	580	SRD2S3T65	33	575	3.3	84.0	1.15	11.44	S, US
3	3600	145T	LM25068	C/A	606	SSD2P3T65	33	575	—	84.0	1.25	—	S, US
	1800	182T	LM24227	✓	584	SSD4P3T65	83	575	3.0	86.5	1.25	13.72	S, MX
5	3600	182T	LM25069	C/A	679	SSD2P5T65	88	575	—	86.5	1.25	—	S, MX
	1800	184T	LM25070	C/A	650	SSD4P5T65	87	575	5.3	87.5	1.25	14.22	S, MX
7 1/2	3600	184T	LM25071	✓	936	SSD2P7.5T65	88	575	7.1	87.5	1.15	14.72	S, MX
	1800	213T	LM33247	C/A	918	SSD4P7.5T65	121	575	—	88.5	1.25	—	S, MX
10	1800	215T	LM24231	✓	1127	SSD4P10T65	138	575	10.0	89.5	1.25	17.29	S, MX
15	1800	254T	LM24219	✓	1630	SSD4P15T65	215	575	15.3	91.0	1.25	22.32	S, US
20	1800	256T	LM24232	✓	2048	SSD4P20T65	233	575	20.8	91.0	1.25	22.32	S, US
25	1800	284T	LM29581	C/A	2777	CCD4P25T65Y	350	575	24.4	91.7	1.25	23.49	C, US
30	3600	284TS	LM20081	C/A	3222	SD2P30TS65Y	348	575	—	91.0	1.25	—	S, US
	1800	286T	LM29865	C/A	3222	CCD4P30T65Y	400	575	28.8	92.4	1.25	24.99	C, US
40	3600	286TS	LM15599	C/A	4164	SD2P40TS65Y	389	575	36.0	91.7	1.25	23.25	S, US
	1800	324T	LM14402	C/A	4170	SD4P40T65Y	469	575	42.5	93.0	1.25	25.82	S, US
50	3600	324TS	LM14401	C/A	5677	SD2P50TS65Y	469	575	44.5	92.4	1.25	24.32	S, US
	1800	326T	LM14405	✓	4710	SD4P50T65Y	522	575	52.0	93.0	1.25	27.32	S, US

▼ LM Numbers are Lincoln Models

♥ Note listing on inside back flap

C/A - Check Availability

Continued To Next Page

Specifications are subject to change without notice



View On-line Technical Information



Special Voltage Motors

575 Volt Motors - Drip-Proof - Rigid Base

Three Phase - Drip-Proof - Rigid Base

HP	SYN RPM 60 Hz	NEMA Frame	▼ Catalog Number	Stock	List Price	Model Number	App. Wgt. (lbs)	Voltage	F. L. Amps @ 575 V	% F.L. Eff.	Service Factor	"C" Dim. (Inches)	♥Notes
60	3600	326TS	LM14404	✓	5903	SD2P60TS65Y	522	575	52.5	93.0	1.25	25.82	S, US
	1800	364T	LM18378	C/A	5967	SD4P60T65Y	712	575	58.0	93.6	1.25	28.40	S, US
75	3600	364TS	LM18379	C/A	7896	SD2P75TS65Y	712	575	65.0	93.0	1.25	26.27	S, US
	1800	365T	LM18384	✓	7518	SD4P75T65Y	763	575	75.0	94.1	1.25	29.40	S, US
100	3600	365TS	LM18385	C/A	9171	SD2P100TS65Y	763	575	87.0	93.0	1.25	27.27	S, US
	1800	404T	LM18298	C/A	7989	SD4P100T65Y	882	575	96.0	94.1	1.25	31.81	S, US
125	3600	404TS	LM18296	C/A	11138	SD2P125TS65Y	882	575	136.0	93.6	1.25	29.18	S, US
	1800	405T	LM18306	C/A	9199	SD4P125T65Y	958	575	152.0	95.4	1.25	33.31	S, US
150	3600	405TS	LM18302	C/A	13318	SD2P150TS65Y	958	575	134.0	93.6	1.25	30.68	S, US
	1800	444T	LM15101	C/A	12381	SD4P150T65Y	1277	575	140.0	95.0	1.15	37.43	S, US
200	3600	444TS	LM15100	C/A	16342	SD2P200TS65Y	1277	575	173.0	94.5	1.25	33.50	S, US
	1800	445T	LM15106	C/A	14497	SD4P200T65Y	1449	575	190.0	95.0	1.15	39.43	S, US
250	3600	445TS	LM15103	C/A	21793	SD2P250TS65Y	1438	575	213.0	94.5	1.15	39.49	S, US
	1800	445T	LM15104	C/A	20100	SD4P250T65Y	1438	575	—	95.4	1.15	—	S, US
300	3600	447TS	LM15111	C/A	25422	SD2P300TS65Y	1745	575	253.0	95.0	1.15	39.00	S, US
	1800	447T	LM15061	C/A	21221	SD4P300T65Y	1745	575	279.0	95.4	1.15	42.93	S, US
350	3600	447TS	LM15108	C/A	27965	SD2P350TS65Y	1745	575	295.0	95.0	1.15	39.00	S, US
	1800	447T	LM15109	C/A	24420	SD4P350T65Y	1745	575	376.0	95.4	1.15	42.93	S, US
400	3600	449TS	LM15116	C/A	31631	SD2P400TS65Y	2112	575	—	95.4	1.15	—	S, US
	1800	449T	LM15117	C/A	30508	SD4P400T65Y	2112	575	—	95.4	1.15	—	S, US

▼ LM Numbers are Lincoln Models

♥ Note listing on inside back flap

C/A - Check Availability

Specifications are subject to change without notice

Automotive
Duty Motors

Pump
Motors

Washguard
Motors

Agricultural
Motors

HVAC / Fan
Motors

Special Voltage
Motors

Definite
Purpose Motors

Brake Motors

IEC Motors

View On-line Technical Information



Special Voltage Motors

575 Volt Motors - Drip-Proof - C Face With Base

Three Phase - Drip-Proof - C Face With Base

HP	SYN RPM 60 Hz	NEMA Frame	▼ Catalog Number	Stock	List Price	Model Number	App. Wgt. (lbs)	Voltage	F. L. Amps @ 575 V	% F.L. Eff.	Service Factor	"C" Dim. (Inches)	♥Notes
1/3	1800	56C	LM25072	C/A	388	SRD4S0.33TC65	15	575	0.6	67.0	1.35	9.80	S, US
1/2	3600	56C	LM25073	C/A	391	SRD2S0.5TC65	18	575	—	66.0	1.25	—	S, US
	1800	56C	LM25074	C/A	440	SRD4S0.5TC65	17	575	1.0	68.0	1.15	10.44	S, US
3/4	3600	56C	LM25075	C/A	451	SRD2S0.75TC65	21	575	—	74.0	1.25	—	S, US
	1800	56C	LM25076	C/A	485	SRD4S0.75TC65	20	575	1.1	75.5	1.25	10.80	S, US
1	3600	56C	LM25077	C/A	516	SRD2S1TC65	24	575	—	74.0	1.25	—	S, US
	1800	56C	LM25078	C/A	500	SRD4S1TC65	22	575	1.5	77.0	1.15	10.94	S, US
	1800	143TC	LM25084	C/A	557	SSD4P1TC65	34	575	1.2	82.5	1.25	12.49	S, US
1 1/2	3600	56C	LM25079	C/A	570	SRD2S1.5TC65	23	575	—	80.0	1.15	—	S, US
	1800	56HC	LM25080	C/A	527	SRD4S1.5TC65	28	575	1.9	80.0	1.15	10.94	S, US
	1800	145TC	LM25085	C/A	586	SSD4P1.5TC65	40	575	—	84.0	1.25	—	S, US
2	3600	56HC	LM25081	C/A	629	SRD2S2TC65	25	575	2.8	80.0	1.15	10.44	S, US
	1800	56C	LM25082	C/A	626	SRD4S2TC65	36	575	2.5	81.5	1.15	11.94	S, US
	1800	145TC	LM25086	C/A	626	SSD4P2TC65	44	575	—	84.0	1.25	—	S, US
3	3600	56HC	LM25083	C/A	629	SRD2S3TC65	33	575	—	84.0	1.15	—	S, US
	1800	182TC	LM25087	C/A	734	SSD4P3TC65	83	575	3.4	86.5	1.25	14.46	S, MX
5	1800	184TC	LM25088	✓	838	SSD4P5TC65	93	575	5.2	87.5	1.25	14.96	S, MX
7 1/2	1800	213TC	LM25089	✓	1081	SSD4P7.5TC65	115	575	7.7	88.5	1.25	18.03	S, MX
10	1800	215TC	LM25090	✓	1330	SSD4P10TC65	138	575	10.0	89.5	1.25	18.03	S, MX
15	1800	254TC	LM25091	C/A	1746	SSD4P15TC65	215	575	15.4	91.0	1.25	26.64	S, US
20	1800	256TC	LM25092	C/A	2165	SSD4P20TC65	233	575	20.8	91.0	1.25	22.64	S, US
25	1800	284TC	LM30138	C/A	2986	CCD4P25TC65	350	575	24.4	91.7	1.25	23.44	C, US
30	1800	286TC	LM30139	C/A	3433	CCD4P30TC65	396	575	28.8	92.4	1.25	13.25	C, US
40	1800	324TC	LM14556	C/A	4517	SD4P40TC65Y	479	575	42.5	93.0	1.25	25.91	S, US
50	1800	326TC	LM14559	C/A	5059	SD4P50TC65Y	535	575	52.0	93.0	1.25	27.41	S, US
60	1800	364TC	LM19713	C/A	6386	SD4P60TC65Y	724	575	—	93.6	1.25	—	S, US
75	1800	365TC	LM19716	C/A	6889	SD4P75TC65Y	771	575	75.0	94.1	1.25	29.35	S, US
100	1800	404TC	LM19719	C/A	8656	SD4P100TC65Y	898	575	—	94.1	1.25	—	S, US
125	1800	405TC	LM19722	C/A	9867	SD4P125TC65Y	974	575	—	94.5	1.25	—	S, US
150	1800	444TC	LM19725	C/A	13207	SD4P150TC65Y	1292	575	140.0	95.0	1.15	37.25	S, US
200	1800	445TC	LM19728	C/A	15306	SD4P200TC65Y	1470	575	—	95.0	1.25	—	S, US
250	1800	445TC	LM19731	C/A	20900	SD4P250TC65Y	1459	575	—	95.4	1.15	—	S, US
300	1800	447TC	LM19734	C/A	22097	SD4P300TC65Y	1766	575	—	95.4	1.15	—	S, US

▼ LM Numbers are Lincoln Models

♥ Note listing on inside back flap

C/A - Check Availability

Specifications are subject to change without notice



View On-line Technical Information



Special Voltage Motors

200/400 Volt - Drip-Proof - Rigid Base



Three Phase - Drip-Proof - Rigid Base

HP	SYN RPM 60 Hz	NEMA Frame	▼ Catalog Number	Stock	List Price	Model Number	App. Wgt. (lbs)	Voltage	F. L. Amps @ 200 V	% F.L. Eff.	Service Factor	"C" Dim. (Inches)	♥ Notes
1/3	1800	56	LM24156	✓	382	SRD4S0.5T62	17	200/400	2.5	70.0	1.25	10.47	S, MX
1/2	1200	56	LM25599	C/A	547	SRD6S0.5T62	22	200/400	2.3	74.0	1.25	10.44	S, US
3/4	3600	56	LM05332	C/A	367	RD2S0.75T62	26	200/400	—	72.0	1.25	—	S, MX
	1800	56	LM24163	✓	408	SRD3S0.75T62	23	200/400	3.2	75.5	1.25	10.97	S, MX
	1200	56	LM05345	C/A	555	RD6S0.75T62	26	200/400	—	72.0	1.15	—	S, MX
1	3600	56	LM05342	C/A	423	RD2S1T62	26	200/400	—	75.5	1.25	—	S, MX
	1800	143T	LM33053	C/A	529	SD4P1T62	32	200/400	—	82.5	1.15	—	S, MX
	1200	145T	LM33054	C/A	637	SD6P1T62	36	200/400	—	80.0	1.15	—	S, MX
1 1/2	3600	143T	LM33055	C/A	556	SD2P1.5T62	32	200/400	—	82.5	1.15	—	S, MX
	1800	145T	LM33056	C/A	554	SSD4PT62	35	200/400	—	84.0	1.15	—	S, MX
2	1800	145T	LM33057	C/A	568	SSD4P2T62	48	200/400	—	84.0	1.15	—	S, MX
3	3600	145T	LM33058	C/A	687	SD2P3T62	38	200/400	—	84.0	1.15	—	S, MX
	1800	182T	LM33059	✓	646	SSD4P3T62	75	200/400	10.1	86.5	1.15	12.69	S, MX
	1200	213T	LM33060	C/A	1025	SD6P3T62	99	200/400	—	86.5	1.15	—	S, MX
5	3600	183T	LM33061	C/A	822	SD2P5T62	58	200/400	—	85.5	1.15	—	S, MX
	1800	184T	G131500.00	✓	667	C184T17DB78	62	200-208/400-416	15.4	86.0	1.15	13.19	S, MX
	1800	182T	LM33062	✓	746	SSD4P5T62	82	200/400	15.2	87.5	1.15	13.19	S, MX
	1200	215T	LM33063	C/A	1252	SD6P5T62	115	200/400	—	87.5	1.15	—	S, MX
7 1/2	3600	184T	LM33064	C/A	944	SSD2P7.5T62	85	200/400	—	87.5	1.15	—	S, MX
	1800	213T	G141124.00	✓	950	C213T17DB15	133	200-208/400-416	22.0	84.0	1.15	17.09	S, MX
	1800	213T	LM33247	C/A	918	SSD4P7.5T62	103	200/400	22.0	84.0	1.15	17.29	S, MX
10	1800	215T	G140004.00	✓	1162	C215T17DB33	138	200-208/400-416	32.0	86.5	1.15	15.76	S, MX
	1800	215T	LM32681	✓	1252	SSD4P10T62	120	200/400	28.8	91.7	1.15	18.54	S, MX
15	1800	254T	LM26334	✓	1781	SSD4P15T62	164	200/400	44.0	91.0	1.15	22.32	S, US
20	3600	254T	LM33065	C/A	2178	SSD2P20T62	200	200/400	—	90.2	1.15	—	S, US
	1800	256T	LM32675	✓	2126	SSD4P20T62	200	200/400	57.5	91.0	1.15	22.32	S, US
25	3600	256T	LM33066	C/A	2993	SSD2P25T62	250	200/400	—	91.0	1.15	—	S, US
	1800	284T	LM33067	C/A	3520	SD4P25T62	278	200/400	—	91.7	1.15	—	S, US
30	3600	284TS	LM32683	C/A	3784	SD2P30TS62	285	200/400	—	91.0	1.15	—	S, US
	1800	286T	LM32670	C/A	3750	SD4P30T62	325	200/400	87.5	92.4	1.15	24.99	S, US
40	3600	286TS	LM33068	C/A	4096	SD2P40TS62	325	200/400	—	91.7	1.15	—	S, US
	1800	324T	LM32680	✓	4086	SD4P40T62	378	200/400	147.0	93.0	1.15	25.82	S, US
50	3600	324TS	LM33069	C/A	5379	SD2P50TS62	410	200/400	—	92.4	1.15	—	S, US
	1800	326T	LM33070	C/A	4420	SD4P60T62	444	200/400	150.0	93.0	1.15	27.32	S, US
60	3600	326TS	LM33071	C/A	5842	SD2P60TS62	462	200/400	—	93.0	1.15	—	S, US
	1800	364T	LM33072	C/A	6030	SD4P60T62	575	200/400	—	93.6	1.15	—	S, US
75	3600	364TS	LM33073	C/A	7690	SD2P75TS62	618	200/400	—	93.0	1.15	—	S, US
	1800	365T	LM33074	C/A	6305	SD4P75T62	660	200/400	—	94.1	1.15	—	S, US
100	3600	365TS	LM33075	C/A	8752	SD2P100TS62	680	200/400	—	93.0	1.15	—	S, US
	1800	404T	LM33076	C/A	8382	SD4P100T62	767	200/400	—	94.1	1.15	—	S, US
125	1800	405T	LM33077	C/A	9320	SD4P125T62	910	200/400	—	94.5	1.15	—	S, US

▼ LM Numbers are Lincoln Models

♥ Note listing on inside back flap

C/A - Check Availability

Specifications are subject to change without notice

View On-line Technical Information



Automotive Duty Motors

Pump Motors

Washguard Motors

Agricultural Motors

HVAC / Fan Motors

Special Voltage Motors

Definite Purpose Motors

Brake Motors

IEC Motors

Special Voltage Motors

200/400 Volt - TEFC - Rigid Base

Three Phase - TEFC - Rigid Base

HP	SYN RPM 60 Hz	NEMA Frame	▼ Catalog Number	Stock	List Price	Model Number	App. Wgt. (lbs)	Voltage	F. L. Amps @ 200 V	% F.L. Eff.	Service Factor	"C" Dim. (Inches)	♥Notes
1/3	1800	56	LM02676	C/A	378	SRF4S0.33T62	28	200/400	—	72.0	1.15	—	S, US
1/2	1800	56	LM02682	C/A	463	SRF4S0.5T62	28	200/400	—	74.0	1.15	—	S, US
	1200	56	LM02679	C/A	586	SRF6S0.5T62	28	200/400	—	70.0	1.15	—	S, US
3/4	3600	56	LM02694	C/A	475	SRF2S0.75T62	28	200/400	—	74.0	1.15	—	S, US
	1800	56	LM02691	C/A	475	SRF4S0.75T62	30	200/400	—	74.0	1.15	—	S, US
	1200	56	LM02688	C/A	598	SRF6S0.75T62	28	200/400	3.6	74.0	1.15	12.32	S, US
1	3600	56	LM02703	C/A	475	SRF2S1T62	28	200/400	3.5	75.5	1.15	11.82	S, US
	1800	56	110255.00	✓	499	C6T17FB8	30	200-208	4.4	77.0	1.15	11.31	S, US
	1800	56	LM02700	C/A	495	SRF4S1T62	28	200/400	—	78.5	1.15	—	S, US
	1800	143T	G120047.00	C/A	545	C143T17FB28	32	200-208	4.4	77.0	1.15	12.75	S, US
	1800	143T	LM33078	C/A	594	SS4P1T62	32	200/400	3.8	82.5	1.15	13.87	S, US
	1200	56H	LM02697	C/A	606	SRF6S1T62	36	200/400	—	72.0	1.15	—	S, US
	1200	145T	LM33079	C/A	726	SRF6P1T62	36	200/400	—	80.0	1.15	—	S, US
	900	182T	LM33080	C/A	1210	AF8S1T62	68	200/400	—	74.0	1.15	—	A, US
	900	182T	LM33618	C/A	1210	AF8S1T62AP26	68	200/400	—	74.0	1.15	—	A, MX
1 1/2	3600	143T	LM33081	C/A	626	SSF2P1.5T62	42	200/400	—	82.5	1.15	—	S, US
	1800	56H	LM02706	C/A	520	SRF4S1.5T62	72	200/400	—	80.0	1.15	—	S, US
	1800	145T	G120032.00	✓	553	C145T17FB88	35	200-208	5.6	80.0	1.15	12.75	S, US
	1800	145T	LM33083	C/A	1435	SF4P1.5T62	72	200/400	—	84.0	1.15	—	S, US
	1200	182T	LM33082	C/A	810	AF6P1.5T62	76	200/400	—	85.5	1.15	—	A, US
	1200	182T	LM33619	C/A	810	AF6P1.5T62AP26	76	200/400	—	85.5	1.15	—	A, MX
2	3600	56H	LM02715	C/A	575	SRF2S2T62	36	200/400	—	78.5	1.15	—	S, US
	1800	56H	LM02712	C/A	615	SRF4S2T62	36	200/400	—	80.0	1.15	—	S, US
	1800	145T	G120034.00	✓	585	C145T17FB89	38	200-208	7.2	81.5	1.15	12.75	S, US
	1800	145T	LM33084	C/A	662	SSF4P2T62	42	200/400	—	84.0	1.15	—	S, US
	1200	184T	LM33085	C/A	1198	AF6P2T62	76	200/400	—	86.5	1.15	—	A, US
	1200	184T	LM33620	C/A	1198	AF6P2T62AP26	76	200/400	—	86.5	1.15	—	A, MX
	900	213T	LM33086	C/A	1817	AF8P2T62	107	200/400	—	82.5	1.15	—	A, US
3	3600	182T	G131465.00	✓	682	C182T17FB51	82	200-208/400-416	10.0	84.0	1.15	12.96	S, US
	3600	182T	LM33087	C/A	908	AF2P3T62	73	200/400	—	85.5	1.15	—	A, US
	3600	182T	LM33621	C/A	908	AF2P3T62AP26	73	200/400	—	85.5	1.15	—	A, MX
	1800	182T	LM33088	C/A	830	AF4P3T62	78	200/400	—	87.5	1.15	—	A, US
	1800	182T	LM33622	C/A	830	AF4P3T62AP26	78	200/400	—	87.5	1.15	—	A, MX
	1200	213T	LM33089	C/A	1282	AF6P3T62	100	200/400	—	87.5	1.15	—	A, US
	900	215T	LM33090	C/A	1925	AF8P3T62	125	200/400	—	84.0	1.15	—	A, US
5	3600	184T	LM33091	C/A	1096	AF2P5T62	80	200/400	—	87.5	1.15	—	A, US
	3600	184T	LM33623	C/A	1096	AF2P5T62AP26	80	200/400	—	87.5	1.15	—	A, MX
	1800	184T	G131466.00	✓	787	C184T17FB63	63	200-208/400-416	15.4	86.0	1.15	13.96	S, MX
	1800	184T	LM26285	C/A	943	AAF4P5T62	78	200/400	15.0	87.5	1.25	15.19	A, US
	1800	184T	LM33624	C/A	943	AAF4P5T62AP26	78	200/400	15.0	87.5	1.25	15.19	A, MX
	1200	215T	LM33093	C/A	1496	AF6P5T62	122	200/400	—	87.5	1.15	—	A, US
	900	254T	LM33094	C/A	2705	AF8P5T62	125	200/400	—	85.5	1.15	—	A, US

▼ LM Numbers are Lincoln Models

♥ Note listing on inside back flap

C/A - Check Availability

Continued To Next Page

Specifications are subject to change without notice



View On-line Technical Information



Special Voltage Motors

200/400 Volt - TEFC - Rigid Base

Three Phase - TEFC - Rigid Base

HP	SYN RPM 60 Hz	NEMA Frame	▼ Catalog Number	Stock	List Price	Model Number	App. Wgt. (lbs)	Voltage	F. L. Amps @ 200 V	% F.L. Eff.	Service Factor	"C" Dim. (Inches)	♥ Notes
7 1/2	3600	213T	LM33095	C/A	1473	AF2P7.5T62	110	200/400	—	88.5	1.15	—	A, US
	1800	213T	G141123.00	✓	1006	C213T17FB19	144	200-208/400-416	23.0	87.0	1.15	17.58	S, MX
	1800	213T	LM33096	C/A	1330	AF4P7.5T62	108	200/400	23.0	89.5	1.15	17.95	A, US
	1200	254T	LM33097	C/A	2300	AF6P7.5T62	165	200/400	—	89.5	1.15	—	A, US
	900	256T	LM33098	C/A	3201	AF8P7.5T62	202	200/400	—	85.5	1.15	—	A, US
10	3600	215T	LM33099	C/A	1787	AF2P10T62	124	200/400	—	89.5	1.15	—	A, US
	1800	215T	G140013.00	✓	1223	C215T17FB29	168	200-208/400-416	29.6	87.5	1.15	18.21	S, MX
	1800	215T	LM32690	C/A	1457	AF4P10T62	126	200/400	—	89.5	1.15	—	A, US
	1200	256T	LM33100	C/A	2612	AF6P10T62	205	200/400	—	89.5	1.15	—	A, US
15	3600	254T	LM33101	C/A	2483	AF2P15T62	172	200/400	—	90.2	1.15	—	A, US
	1800	254T	LM32691	C/A	2344	AF4P15T62	152	200/400	43.5	91.0	1.15	23.52	A, US
20	3600	256T	LM33102	C/A	2886	AF2P20T62	205	200/400	—	90.2	1.15	—	A, US
	1800	256T	LM33103	✓	2662	AF4P20T62	202	200/400	58.5	91.0	1.15	14.87	A, US
25	1200	324T	LM33104	C/A	6135	SF6P25T62	479	200/400	—	91.7	1.15	—	S, US
30	1200	326T	LM33105	C/A	6671	SF6P30T62	355	200/400	—	91.7	1.15	—	S, US
40	3600	324TS	LM02323	C/A	4295	SF2P40TS62	396	200/400	—	91.7	1.15	—	S, US
	1800	324T	LM02005	C/A	4048	SF4P40T62	479	200/400	—	93.0	1.15	—	S, US
	1200	364T	LM02578	C/A	7712	SF6P40T62	724	200/400	—	91.7	1.15	—	S, US
50	3600	326T	LM02159	C/A	5322	SF2P50TS62	479	200/400	—	92.4	1.15	—	S, US
	1800	326T	LM02010	C/A	4593	SF4P50T62	532	200/400	140.0	93.0	1.15	30.56	S, US
	1200	365T	LM02460	C/A	6946	SF6P50T62	775	200/400	—	93.0	1.15	—	S, US
60	3600	364TS	LM02579	C/A	7712	SF2P60TS62	532	200/400	—	93.0	1.15	—	S, US
	1800	364T	LM02386	C/A	6373	SF4P60T62	724	200/400	—	93.6	1.15	—	S, US
75	3600	365TS	LM02921	C/A	8387	SF2P75TS62	724	200/400	—	93.0	1.15	—	S, US
	1800	365T	LM02394	C/A	7054	SF4P75T62	775	200/400	212.0	94.1	1.15	29.41	S, US
100	1800	405T	LM02444	C/A	9545	SF4P100T62	898	200/400	—	94.5	1.15	—	S, US

▼ LM Numbers are Lincoln Models

♥ Note listing on inside back flap

C/A - Check Availability

Specifications are subject to change without notice

Automotive
Duty Motors

Pump
Motors

Washguard
Motors

Agricultural
Motors

HVAC / Fan
Motors

Special Voltage
Motors

Definite
Purpose Motors

Brake Motors

IEC Motors

View On-line Technical Information



Special Voltage Motors

50 Hertz Motors - Single Phase - Rigid Base

General Specifications:

50 Hz single phase designs produce full rated HP on 50 Hz power supply. Designed for general purpose applications.

Features:

- High efficiency energy saving designs
- Centrifugal switch designed for 50 Hz service
- High torque



Single Phase - Drip-Proof - Rigid Base - IP 22

HP	SYN RPM 50 Hz	NEMA Frame	Catalog Number	Stock	List Price	Model Number	App. Wgt. (lbs)	Voltage	Over-load Prot.	F. L. Amps @ 220 V	Service Factor	"C" Dim. (Inches)	♥ Notes
1/3	1500	56	110394.00	√	451	C6C14DB5	22	110/220	None	3.2	1.35	9.88	S, US
1/2	3000	56	113901.00	√	404	C6C28DB24	25	110/220	None	3.8	1.25	10.34	S, US
	1500	56	110395.00	√	572	C6C14DB6	25	110/220	None	4.1	1.25	10.38	S, US
3/4	3000	56	113902.00	√	506	C6C28DB25	27	110/220	None	5.6	1.25	10.34	S, US
	1500	56	110396.00	√	687	C6C14DB7	30	110/220	None	5.9	1.25	10.88	S, US
1	3000	56	113903.00	√	562	C6C28DB26	31	110/220	None	6.6	1.25	10.84	S, US
	1500	56H	110397.00	√	757	C6C14DB8	35	110/220	None	6.4	1.15	11.88	S, US, 6
1 1/2	3000	56H	113904.00	√	722	C6C28DB27	37	110/220	None	8.6	1.15	11.84	S, US
	1500	56H	110398.00	√	853	C6K14DB1	43	110/220	None	8.4	1.15	12.35	S, US, 6, 53
2	3000	56H	113905.00	√	884	C6C28DB28	42	110/220	None	10.7	1.15	12.34	S, US
	1500	182T	131553.00	√	1026	C182C14DB3	70	220	None	11.8	1.15	13.69	S, US
3	3000	56H	113937.00	√	1047	C6K28DB5	47	220	None	12.4	1.15	12.84	S, US
	1500	184T	131554.00	√	1173	C184C14DB2	80	220	None	16.8	1.15	14.69	S, MX
5	1500	184T	131555.00	√	2399	C184K14DB9	95	220	None	23.2	1.15	15.69	S, MX, 53

Specifications are subject to change without notice

♥ Note listing on inside back flap



View On-line Technical Information

Special Voltage Motors

50 Hertz Motors - Single Phase - Rigid Base



Single Phase - TEFC - Rigid Base - IP54

HP	SYN RPM 50 Hz	NEMA Frame	Catalog Number	Stock	List Price	Model Number	App. Wgt. (lbs)	Voltage	Over-load Prot.	F. L. Amps @ 220 V	Service Factor	"C" Dim. (Inches)	Notes
1/3	3000	56	113916.00	✓	416	C6C28FB25	25	110/220	None	3.2	1.0	10.81	S, US
	1500	56	110423.00	✓	527	C6C14FB6	24	110/220	None	3.2	1.0	10.81	S, US
	1500	56	113908.00	✓	532	M6C14FB22	26	110/220	Man.	3.2	1.0	10.81	S, US
1/2	3000	56	113917.00	✓	445	C6C28FB26	27	110/220	None	3.8	1.0	11.31	S, US
	1500	56	110064.00	✓	604	C6C14FB1	25	110/220	None	4.1	1.0	11.31	S, US
	1500	56	113909.00	✓	604	M6C14FB23	29	110/220	Man.	4.1	1.15	11.31	S, US
3/4	3000	56	113918.00	✓	506	C6C28FB27	29	110/220	None	5.6	1.0	11.31	S, US
	1500	56	110065.00	✓	692	C6C14FB2	32	110/220	None	5.9	1.0	11.81	S, US
	1500	56	113910.00	✓	717	M6C14FB24	32	110/220	Man.	5.9	1.0	11.81	S, US
1	3000	56	113919.00	✓	587	C6C28FB28	32	110/220	None	6.6	1.0	11.81	S, US
	1500	56H	110066.00	✓	832	C6C14FB3	38	110/220	None	6.4	1.0	12.81	S, US, 6
	1500	56	113911.00	✓	832	M6C14FB25	34	110/220	Man.	6.4	1.0	12.31	S, US
1 1/2	3000	56H	113920.00	✓	772	C6C28FB29	44	110/220	None	8.0	1.0	13.31	S, US
	1500	56H	110424.00	✓	943	C6K14FB1	47	110/220	None	8.6	1.0	13.31	S, US, 6, 53
	1500	56H	113929.00	✓	859	P6K14FB9	49	110/220	Man.	8.6	1.0	13.31	S, US, 6, 53
2	3000	56HZ	113928.00	✓	935	C6C28FB24	44	110/220	None	10.7	1.0	13.76	S, US, 3
	1500	182T	131556.00	✓	1413	C182C14FB6	95	220	None	11.2	1.0	15.96	S, MX
	1500	182T	131600.00	✓	1395	P182C14FB5	71	220	Man.	12.0	1.0	14.96	S, MX
3	3000	145T	121070.00	✓	1150	C145K28FB6	50	220	None	12.4	1.0	12.84	S, US, 53
	3000	56H	113936.00	✓	1150	C6K28FB2	48	220	None	12.4	1.0	13.81	S, US, 53
	1500	184T	131557.00	✓	2019	C184C14FB6	98	220	None	15.9	1.0	16.96	S, MX
5	1500	184T	131601.00	✓	1988	P184C14FB7	98	220	Man.	15.9	1.0	16.96	S, MX
	3000	184T	131638.00	✓	1331	C184K28FB2	98	220	None	20.5	1.0	17.46	S, US, 53
	1500	184T	131578.00	✓	2561	C184K14FB5	103	220	None	21.0	1.0	17.46	S, US, 53
	1500	213TZ	140475.00	C/A	2574	P213K14FB1	163	220	Man.	24.5	1.0	18.71	S, US, 53

C/A - Check Availability

♥ Note listing on inside back flap

Specifications are subject to change without notice

View On-line Technical Information



Automotive Duty Motors

Pump Motors

Washguard Motors

Agricultural Motors

HVAC / Fan Motors

Special Voltage Motors

Definite Purpose Motors

Brake Motors

IEC Motors

Special Voltage Motors

50 Hertz Motors - Single Phase - Rigid Base

Single Phase - Drip-Proof - Resilient Base - IP22

HP	SYN RPM 50 Hz	NEMA Frame	Catalog Number	Stock	List Price	Model Number	App. Wgt. (lbs)	Voltage	F. L. Amps @ 200 V	% F.L. Eff.	Service Factor	"C" Dim. (Inches)	♥Notes
1/3	3000	56	114222.00	√	353	C6C28DR1	24	110/220	None	3.2	1.35	10.82	S, US
	1500	56	114223.00	√	462	C6C14DR18	24	110/220	None	3.2	1.35	10.81	S, US
1/2	3000	56	114224.00	C/A	412	C6C28DR2	26	110/220	None	3.8	1.25	11.32	S, US
	1500	56	114225.00	√	576	C6C14DR19	27	110/220	None	4.1	1.25	11.31	S, US
3/4	3000	56	114226.00	√	501	C6C28DR3	28	110/220	None	5.6	1.25	11.32	S, US
	1500	56	114227.00	√	688	C6C14DR16	31	110/220	None	5.9	1.25	11.81	S, US
1	3000	56	114228.00	√	570	C6C28DR4	31	110/220	None	6.6	1.25	11.82	S, US
	1500	56	114229.00	C/A	759	C6C14DR17	35	110/220	None	6.4	1.15	12.31	S, US
1 1/2	1500	56H	114231.00	√	852	C6K14DR12	42	110/220	None	8.4	1.15	13.32	S, US, 53
	2	1500	56H	114233.00	√	1038	C6K14DR13	49	220	None	9.6	1.15	13.82

C/A - Check Availability

♥ Note listing on inside back flap

Specifications are subject to change without notice

Single Phase - TEFC - C Face Less Base - IP54

HP	SYN RPM 50 Hz	NEMA Frame	Catalog Number	Stock	List Price	Model Number	App. Wgt. (lbs)	Voltage	F. L. Amps @ 200 V	% F.L. Eff.	Service Factor	"C" Dim. (Inches)	♥Notes
1/3	1500	56C	113921.00	√	542	M6C14FC5	22	110/220	Man.	3.2	1.0	10.81	S, US
1/2	3000	56C	113912.00	√	466	C6C28FC3	25	110/220	None	3.8	1.0	11.31	S, US
	1500	56C	113922.00	√	621	M6C14FC6	29	110/220	Man.	4.1	1.15	11.31	S, US
3/4	3000	56C	113913.00	√	518	C6C28FC4	28	110/220	None	5.6	1.0	11.31	S, US
	1500	56C	113923.00	√	710	M6C14FC7	31	110/220	Man.	5.9	1.0	11.81	S, US
1	3000	56C	113914.00	√	639	C6C28FC5	32	110/220	None	6.6	1.0	11.81	S, US
	1500	56C	113924.00	√	748	M6C14FC8	34	110/220	Man.	6.4	1.0	12.31	S, US
1 1/2	3000	56C	113915.00	√	831	C6C28FC6	43	110/220	None	8.0	1.0	13.31	S, US
	1500	56C	113925.00	√	907	P6K14FC4	42	110/220	Man.	8.6	1.0	13.31	S, US, 53
2	3000	145TC	120990.00	√	959	C145K28FC2	47	110/220	None	8.6	1.15	13.75	S, US, 53
	1500	182TC	131599.00	√	1429	P182C14FC2	70	220	Man.	12.0	1.0	14.97	S, MX

Specifications are subject to change without notice

♥ Note listing on inside back flap



View On-line Technical Information



Special Voltage Motors

50 Hertz Motors - Three Phase

General Specifications:

Totally enclosed fan cooled,
12-lead motors designed specifically for 50 Hz service. These motors are intended for equipment built in North America and destined for use in 50 Hz service areas of the world.



Features:

- Suitable for 220/380 volt, 50 Hz, or 440 volt, 50 Hz, three phase power
- Torques exceed NEMA performance for Design B motors
- Construction meets IP 54 protection standards
- Class F insulation

Three Phase - TEFC - Rigid Base

kW/HP	SYN RPM 50 Hz	NEMA Frame	Catalog Number	Stock	List Price	Model Number	App. Wgt. (lbs)	Voltage	Over-load Prot.	F. L. Amps @ 220 V	Service Factor	"C" Dim. (Inches)	♥Notes
0.18/1/4	1500	48	102685.00	√	439	C4T14FB4	19	220/380/440	1.00	56.0	1.15	9.06	S, MX
0.25/1/3	3000	48	102686.00	√	438	C4T28FB2	19	220/380/440	0.80	60.0	1.15	9.93	S, US
	1500	48	102688.00	√	527	C4T14FB5	19	220/380/440	1.10	65.0	1.15	9.31	S, MX
	1500	S56	102183.00	√	493	C4T14FH1	19	220/380/440	1.10	65.0	1.15	9.69	S, MX
0.37/1/2	3000	48	102690.00	C/A	506	C4T28FB1	20	220/380/440	1.00	69.0	1.15	10.43	S, US
	1500	48	102692.00	√	595	C4T14FB3	20	220/380/440	1.40	72.0	1.15	9.81	S, MX
	1500	S56	102693.00	√	551	C4T14FH2	20	220/380/440	1.40	72.0	1.15	10.19	S, MX
	1500	56	114304.00	√	592	C6T14NB1	25	220/380/440	1.02	78.0	1.15	10.38	S, US, 12
0.55/3/4	3000	56	114306.00	√	536	C6T28FB4	24	220/380/440	1.75	72.0	1.15	10.81	S, US
	1500	56	114307.00	√	631	C6T14FB7	27	220/380/440	1.85	74.0	1.15	11.31	S, US
0.75/1	3000	56	114308.00	√	642	C6T28FB5	26	220/380/440	2.40	71.0	1.15	11.31	S, US
	1500	56	114888.00	√	638	C6T14FB8	28	220/380/440	2.00	77.0	1.15	11.31	S, US
	1500	143T	121096.00	√	638	C143T14FB2	35	220/380/440	2.00	77.0	1.15	12.75	S, US
1.1/1 1/2	3000	145T	121097.00	√	661	C145T28FB4	34	220/380/440	2.90	80.0	1.15	12.76	S, US
	1500	145T	121093.00	√	661	C145T14FB13	40	220/380/440	3.30	75.5	1.15	12.75	S, US
1.5/2	3000	145T	121094.00	C/A	715	C145T28FB5	42	220/380/440	3.60	80.0	1.15	12.76	S, US
	1500	145T	121095.00	√	748	C145T14FB14	40	220/380/440	3.65	81.5	1.15	13.25	S, US
2.2/3	3000	182T	131480.00	√	923	C182T28FB3	58	220/380/440	4.80	82.5	1.15	13.46	S, MX
	1500	182T	131459.00	√	883	C215T17FK20	64	220/380/440	4.70	84.0	1.15	13.46	S, MX
3.7/5	3000	184T	131481.00	√	1088	C184T28FB14	76	220/380/440	7.40	84.0	1.15	14.46	S, MX
	1500	184T	131454.00	√	1007	C213T34FK5	82	220/380/440	8.10	85.0	1.0	15.46	S, MX

C/A - Check Availability

♥ Note listing on inside back flap

Specifications are subject to change without notice

View On-line Technical Information



Automotive Duty Motors

Pump Motors

Washguard Motors

Agricultural Motors

HVAC / Fan Motors

Special Voltage Motors

Definite Purpose Motors

Brake Motors

IEC Motors

Special Voltage Motors

50 Hertz Motors - Three Phase



Three Phase - TEFC - C Face Less Base - IP54 Enclosure Protection

kW/HP	SYN RPM 50 Hz	NEMA Frame	Catalog Number	Stock	List Price	Model Number	App. Wgt. (lbs)	Voltage	Over-load Prot.	F. L. Amps @ 220 V	Service Factor	"C" Dim. (Inches)	♥ Notes
0.18/1/4	1500	S56C	102184.00	✓	466	C4T14FC2	18	220/380/440	1.00	56.0	1.15	9.44	S, MX
0.25/1/3	3000	S56C	102687.00	✓	460	C4T28FC2	19	220/380/440	0.80	60.0	1.15	10.31	S, US
	1500	S56C	102689.00	✓	503	C4T14FC4	19	220/380/440	1.10	65.0	1.15	9.69	S, MX
	1500	56C	114889.00	✓	539	C6T14FC5	18	220/380/440	1.10	68.0	1.15	10.31	S, US
0.37/1/2	3000	S56C	102691.00	✓	533	C4T28FC1	20	220/380/440	1.00	69.0	1.15	10.81	S, US
	1500	S56C	102694.00	✓	592	C4T14FC3	20	220/380/440	1.40	72.0	1.15	10.19	S, MX
	1500	56C	114891.00	✓	598	C6T14FC4	20	220/380/440	1.15	73.0	1.15	10.81	S, US
	1200	56C	114892.00	✓	661	C6T9FC1	28	220/380/440	1.50	68.0	1.15	11.31	S, US
0.55/3/4	3000	56C	114893.00	✓	536	C6T28FC1	24	220/380/440	1.75	72.0	1.15	10.81	S, US
	1500	56C	114894.00	✓	639	C6T14FC6	27	220/380/440	1.85	74.0	1.15	11.31	S, US
0.75/1	3000	56C	114895.00	✓	646	C6T28FC3	26	220/380/440	2.40	71.0	1.15	11.31	S, US
	1500	56C	114896.00	✓	665	C6T14FC7	28	220/380/440	2.00	77.0	1.15	11.31	S, US
	1500	143TC	121272.00	✓	665	C143T14FC2	31	220/380/440	2.00	77.0	1.15	11.75	S, US
	1200	145TC	121273.00	✓	765	C145T9FC3	39	220/380/440	2.65	73.0	1.15	13.25	S, US
1.1/11/2	3000	143TC	121274.00	✓	687	C143T28FC1	33	220/380/440	2.90	80.0	1.15	12.25	S, US
	1500	145TC	121275.00	✓	696	C145T14FC6	37	220/380/440	3.30	75.5	1.15	12.75	S, US
1.5/2	3000	145TC	121276.00	✓	688	C145T28FC1	41	220/380/440	3.60	80.0	1.15	12.75	S, US
	1500	145TC	121277.00	✓	749	C145T14FC5	40	220/380/440	3.65	81.5	1.15	13.75	S, US
2.2/3	3000	182TC	131505.00	✓	940	C182T28FC2	59	220/380/440	4.80	82.5	1.15	13.97	S, MX
	1500	182TC	131506.00	✓	872	C182T14FC3	63	220/380/440	4.70	84.0	1.15	13.97	S, MX
3.7/5	3000	184TC	131507.00	✓	1112	C184T28FC3	75	220/380/440	7.40	84.0	1.15	14.47	S, MX
	1500	184TC	131508.00	✓	995	C184T14FC3	82	220/380/440	8.10	85.0	1.0	15.47	S, MX

Specifications are subject to change without notice

♥ Note listing on inside back flap



View On-line Technical Information



Automotive
Duty Motors

Pump
Motors

Washguard
Motors

Agricultural
Duty Motors

HVAC / Fan
Motors

Special Voltage
Motors

Definite
Purpose Motors

Brake Motors

IEC Motors

Special Voltage Motors

Medium Voltage Motors

2300/4000 Volts - Three Phase - Foot Mount

Applications:

Ideally suited for applications requiring heavy duty, large horsepower electric motors. Typical uses include pulp and paper mills, mineral processing, waste management facilities, lumber and wood processing mills, automobile manufacturing plants and other severe duty environments where medium voltage power is available.

Features Frames 447T - 449T:

- Full cast iron construction
- Double shielded radial ball bearings
- Designed for direct coupled loads (contact your local Sales office about belted loads)
- Grease fittings with extended grease tubes
- Internal and external epoxy finish
- Premium Class H insulation system
- Front and rear cast iron bearing caps

Features Frames 5011 - 5013

- Full cast iron construction
- Double shielded radial ball bearings
- Designed for direct coupled loads (contact your local Sales office about belted loads)
- Grease fittings with extended grease tubes
- Corrosion resistant breather/drains
- Oversized cast iron terminal box
- Internal and external epoxy finish
- Premium Class H insulation system
- Inpro/Seal™ bearing isolators on each end
- Front and rear cast iron bearing caps
- Provision for jacking bolts in all four feet
- Provision for dowel pins in drive end feet
- Grounding points located in terminal box and feet
- 100 ohm platinum winding RTDs as standard on sizes 400 HP and larger
- Frame 5011 has mounting holes for 5010, 5011 and 5012 as standard
- Frame 5013 has mounting holes for 5012 and 5013 as standard

Three Phase • TEFC • Rigid Base

HP	SYN RPM 60 Hz	NEMA Frame	▼ Catalog Number	Stock	List Price	Model Number	App. Wgt. (lbs)	Voltage	% F.L. Eff.	Service Factor	♥ Notes
150	1800	447T	LM22218	C/A	63409	CC447F4P150T6024	2850	2300/4000	93.6	1.15	C, US
	1200	449T	LM22216	C/A	79813	CC449F6P150T6024	2850	2300/4000	95.0	1.15	C, US
	900	5011LS	LM22214	C/A	102312	CC5011S8P150LS6024	5500	2300/4000	94.5	1.15	C, US
200	1800	447T	LM22219	C/A	67430	CC447F4P200T6024	2875	2300/4000	93.6	1.15	C, US
	1200	449T	LM22217	C/A	85955	CC449F6P200T6024	2875	2300/4000	95.4	1.15	C, US
	900	5011LS	LM22215	C/A	108000	CC5011S8P200LS6024	5500	2300/4000	95.0	1.15	C, US
250	1800	449T	LM22207	C/A	73302	CC449F4P250T6024	2920	2300/4000	94.1	1.15	C, US
	1200	5011LS	LM22221	C/A	87509	CC5011S6P250LS6025	5500	2300/4000	95.4	1.15	C, US
	900	5011LS	LM27283	C/A	111131	CC5011S8P250LS6024	5500	2300/4000	95.4	1.15	C, US
300	1800	449T	LM22220	C/A	82449	CC449F4P300T6024	2970	2300/4000	95.0	1.15	C, US
	1200	5011LS	LM22222	C/A	92859	CC5011S6P300LS6024	5500	2300/4000	95.8	1.15	C, US
	900	5013LS	LM27284	C/A	128078	CC5013S8P300LS6024	5500	2300/4000	95.4	1.15	C, US
350	1800	5011LS	LM22225	C/A	86638	CC5011S4P350LS6024	5500	2300/4000	95.4	1.15	C, US
	1200	5011LX	LM22223	C/A	100336	CC5011S6P350LX6024	5500	2300/4000	96.2	1.15	C, US
	900	5013LS	LM27285	C/A	141032	CC5013S8P350LS6024	5500	2300/4000	95.4	1.15	C, US
400	1800	5011LX	LM22226	C/A	89332	CC5011S4P400LX6024TD2	5500	2300/4000	95.8	1.15	C, US
	1200	5011LS	LM22224	C/A	106937	CC5011S6P400LS6024TD2	5500	2300/4000	96.2	1.15	C, US
	900	5011LX	LM22227	C/A	95055	CC5011S4P450LX6024TD2	5500	2300/4000	95.8	1.15	C, US
450	1800	5013LS	LM27286	C/A	115301	CC5013S6P450LS6024TD2	7200	2300/4000	96.2	1.15	C, US
	1200	5011LX	LM22488	C/A	100774	CC5011S4P500LX6024TD2	5500	2300/4000	96.5	1.15	C, US
500	1800	5011LX	LM22488	C/A	100774	CC5011S4P500LX6024TD2	5500	2300/4000	96.5	1.15	C, US
	1200	5013LS	LM27287	C/A	122782	CC5013S6P500LS6024TD2	7200	2300/4000	96.2	1.15	C, US
600	1800	5011LX	LM27288	C/A	166951	CC5011S4P600LX6024TD2	5500	2300/4000	96.5	1.15	C, US
700	1800	5013LS	LM27289	C/A	171909	CC5013S4P700LS6024TD2	7200	2300/4000	96.5	1.15	C, US

▼ LM Numbers are Lincoln Models

♥ Note listing on inside back flap

C/A - Check Availability

Specifications are subject to change without notice

View On-line Technical Information



Automotive Duty Motors

Pump Motors

Washguard Motors

Agricultural Motors

HVAC / Fan Motors

Special Voltage Motors

Definite Purpose Motors

Brake Motors

IEC Motors

Definite Purpose Motors

Automotive
Duty Motors

Pump
Motors

Washguard
Motors

Agricultural
Duty Motors

HVAC / Fan
Motors

Special Voltage
Motors

Definite
Purpose Motors

Brake Motors

IEC Motors



Product Families Include:

- Compressor duty motors – page 231
- Pressure washer duty motors – page 233
- Woodworking motors – page 235
- Instant reversing motors – page 237
- Boat Hoist motors – page 239
- Two-Speed motors – page 240
- Crusher duty motors – page 241
- Elevator duty motors – page 243
- Unit handling motors – page 252
- Export only general purpose motors – page 253



Definite Purpose Motors

Compressor Duty Motors

Compressor, Pump and Fan & Blower Duty

General Specifications:

Motors designed for air compressor, pump, and fan and blower duty applications which require high breakdown torque and rugged mechanical construction.

Mechanical Features:

- Double shielded ball bearings
- Designed for belted loads

Electrical Features:

- High efficient Class "F" copper windings
- High starting and breakdown torque
- Dual rotation



Rigid Base - Capacitor Start - General Purpose - Drip-Proof Single Phase - Drip-Proof - Rigid Base

HP	SYN RPM 60 Hz	NEMA Frame	▼ Catalog Number	Stock	List Price	Model Number	App. Wgt. (lbs)	Voltage	Over-load Prot.	F. L. Amps @ 230 V	Service Factor	"C" Dim. (Inches)	♥ Notes
1	3600	56	110160.00	√	430	M6C34DB6	27	115/230	Man.	6.7	SPEC	11.38	S, US
	1800	143T	120044.00	√	586	C143C17DB3	38	115/208-230	None	6.4	1.15	11.28	S, US
	1800	143T	LM24675	C/A	613	SSD4S1T1C602	33	115/208-230	None	6.4	1.15	11.49	S, US
	1800	143T	120003.00	√	616	M143C17DB2	33	115/208-230	Man.	6.4	1.15	11.13	S, US
1 1/2	3600	56	110161.00	√	471	P6C34DB7	33	115/230	Man.	10.0	SPEC	11.88	S, US
	1800	145T	120042.00	√	647	C145K17DB5	38	115/208-230	None	8.6	1.15	12.28	S, US, 53
	1800	145T	LM24687	√	678	SSD4S1.5T1C602	41	115/208-230	None	8.6	1.15	12.49	S, US
	1800	145T	120004.00	√	822	P145K17DB3	40	115/208-230	Man.	8.6	1.15	12.28	S, US, 53
2	3600	56	110232.00	√	492	M6C34DB11	33	115/230	Man.	11.0	SPEC	11.88	S, US
	1800	182T	131515.00	√	799	C182C17DB8	56	115/208-230	None	12.4	1.15	13.19	S, MX
	1800	182T	LM24678	√	826	SS182D4S2T1C6028	65	115/208-230	None	12.4	1.15	13.19	S, MX
	1800	182T	131536.00	√	855	P182C17DB10	63	115/208-230	Man.	8.8	1.15	10.66	S, MX
3	3600	56Y	110222.00	√	552	M6C34DB13	38	230	Man.	15.0	1.15	12.38	S, US, 36
	1800	184T	131534.00	√	865	C184C17DB19	69	115/230	None	16.9	1.15	14.19	S, MX
	1800	184T	LM24680	C/A	888	SS184D4S3T1C6028	78	115/208-230	None	16.9	1.15	14.19	S, MX
5SP	3600	56	116523.00	√	665	P6K34DB22	35	208-230	Man.	15.0	1.0	11.44	S, US, 53
5	3600	56Y	111275.00	√	686	P6K34DB5	44	230	Man.	20.8	1.0	13.34	S, US, 36, 53
	3600	56Y	116789.00	√	706	P6K34DB27	45	230	Man.	20.8	1.0	12.38	S, US, 10, 53
	3600	145T	120554.00	√	694	P145K34DB1	46	230	Man.	20.8	1.0	13.12	S, US, 53
	1800	184T	131537.00	√	1038	C184K17DB31	83	230	None	21.0	1.15	14.69	S, MX, 53
	1800	184T	LM24682	√	1060	SSD4S5T1B600	87	208-230	None	21.0	1.15	14.69	S, MX, 53
	1800	184T	131622.00	√	1241	P184K17DB33	82	230	Man.	21.0	1.15	14.69	S, MX, 53
7 1/2	3600	184T	132044.00	√	1000	C184K34DB8	110	208-230	Tstat	31.0	1.15	16.69	S, MX, 53
	3600	213T	140680.00	√	1689	C213K34DB1	112	208-230	None	29.5	1.15	16.55	S, MX, 53
	1800	215T	140155.00	√	1474	C215K17DB2	113	230	None	36.0	1.15	17.26	S, MX, 53
	1800	215T	LM24683	√	1556	SS215D4S7.5T1B600	118	208-230	None	36.0	1.15	17.26	S, MX, 53
10	3600	215T	140681.00	√	2135	C215K34DB1	135	208-230	None	37.0	1.15	18.05	S, MX, 53
	1800	215TZ	140311.00	√	2155	C215K17DB4	140	230	None	43.0	1.25	19.76	S, MX, 53
	1800	215TZ	LM24684	√	2207	SSD4S10T1B600	140	208-230	None	43.0	1.15	19.76	S, MX, 53

▼ LM Numbers are Lincoln Models

♥ Note listing on inside back flap

C/A - Check Availability

Specifications are subject to change without notice



Automotive
Duty Motors

Pump
Motors

Washguard
Motors

Agricultural
Motors

HVAC / Fan
Motors

Special Voltage
Motors

Definite
Purpose Motors

Brake Motors

IEC Motors

Definite Purpose Motors

Compressor Duty Motors

Compressor, Pump and Fan & Blower Duty

Three Phase - Drip-Proof - Rigid Base

HP	SYN RPM 60 Hz	NEMA Frame	▼ Catalog Number	Stock	List Price	Model Number	App. Wgt. (lbs)	Voltage	F. L. Amps @ 230 V	% F.L. Eff.	Service Factor	"C" Dim. (Inches)	Inverter Speed Range	♥ Notes
1	1800	143T	121003.00	√	639	C143T17DB10	36	208-230/460	3.2	85.5	1.25	12.1	10 : 1	S, US
	1800	143T	LM24871	√	527	SSD4B1T6	35	208-230/460	3.2	85.5	1.25	12.0	10 : 1	S, MX
1 1/2	1800	145T	121004.00	√	667	C145T17DB32	35	208-230/460	4.8	86.5	1.25	12.6	10 : 1	S, US
	1800	145T	LM24875	√	551	SSD4B1.5T6	45	208-230/460	4.4	86.5	1.25	13.0	10 : 1	S, MX
2	1800	145T	121005.00	√	755	C145T17DB33	37	208-230/460	5.8	86.5	1.25	13.6	10 : 1	S, US
	1800	145T	LM24169	√	610	SSD4B2T6	48	208-230/460	6.0	86.5	1.25	11.5	10 : 1	S, MX
3	1800	182T	131519.00	√	773	C182T17DB37	75	208-230/460	7.8	89.5	1.25	13.7	10 : 1	S, MX
	1800	182T	LM24222	C/A	796	SSD4B3T61	75	208-230/460	8.0	89.5	1.25	13.2	10 : 1	S, MX
5	1800	184T	131520.00	√	871	C184T17DB44	86	208-230/460	12.8	89.5	1.25	14.7	10 : 1	S, MX
	1800	184T	LM24202	√	892	SSD4B5T61	91	208-230/460	12.6	89.5	1.25	14.2	10 : 1	S, MX
7 1/2	1800	213T	140470.00	√	1093	C213T17DB2	133	208-230/460	20.6	91.0	1.25	16.3	10 : 1	S, MX
	1800	213T	LM24194	√	1256	SSD4B7.5T6	125	208-230/460	19.2	91.0	1.25	18.5	10 : 1	S, US
10	1800	215T	140472.00	√	1291	C215T17DB15	144	208-230/460	26.8	91.7	1.25	17.3	10 : 1	S, MX
	1800	215T	LM24193	√	1403	SSD4B10T6	155	208-230/460	25.0	91.7	1.25	18.5	10 : 1	S, US
20	1800	256T	170006.60	√	2224	C256T17DB5	324	208-230/460	51.0	93.0	1.25	22.6	10 : 1	C, CN
	1800	256T	LM24199	√	2415	CCD4B20T6	350	208-230/460	48.0	93.0	1.25	24.4	10 : 1	C, US

Green items are Premium Efficient

♥ Note listing on inside back flap

▼ LM Numbers are Lincoln Models

C/A - Check Availability

Specifications are subject to change without notice

Three Phase - TEFC - Rigid Base

HP	SYN RPM 60 Hz	NEMA Frame	▼ Catalog Number	Stock	List Price	Model Number	App. Wgt. (lbs)	Voltage	F. L. Amps @ 230 V	% F.L. Eff.	Service Factor	"C" Dim. (Inches)	Inverter Speed Range	♥ Notes
3	1800	182T	131463.00	√	888	C182T17FB32	80	208-230/460	7.8	89.5	1.15	14.96	10 : 1	S, MX
	1800	182T	LM32741	√	1261	SSF4B3T61	77	208-230/460	7.8	89.5	1.15	13.96	10 : 1	S, MX
5	1800	182T	131464.00	√	976	C184T17FB42	94	208-230/460	12.8	89.5	1.15	15.96	10 : 1	S, MX
	1800	182T	LM33266	√	976	SSF4B5T61	85	208-230/460	12.6	89.5	1.15	14.96	10 : 1	S, MX
7 1/2	1800	213T	140450.00	√	1254	C213T17FB6	144	208-230/460	21.4	91.7	1.25	18.70	10 : 1	S, MX
	1800	213T	LM32805	√	1158	SSF4B7.5T6	115	208-230/460	19.4	91.7	1.25	20.23	10 : 1	S, US
10	1800	215T	140451.00	√	1517	C215T17FB18	161	208-230/460	26.6	91.7	1.25	19.70	10 : 1	S, MX
	1800	215T	LM32809	√	1431	SSF4B10T6	135	208-230/460	26.0	91.7	1.25	21.48	10 : 1	S, US
15	1800	254T	170066.60	√	2238	C254T17FB10	280	208-230/460	36.0	92.4	1.25	23.19	10 : 1	C, CN
	1800	254T	LM24208	√	2500	CCF4B15T6	322	208-230/460	37.5	92.4	1.25	25.27	10 : 1	C, US
20	1800	256T	170007.60	√	2800	C256T17FB4	322	208-230/460	49.0	93.0	1.15	24.92	10 : 1	C, CN
	1800	256T	LM24207	C/A	3037	CCF4B20T61	368	208-230/460	48.0	93.0	1.15	25.27	10 : 1	C, US

Green items are Premium Efficient

♥ Note listing on inside back flap

▼ LM Numbers are Lincoln Models

C/A - Check Availability

Specifications are subject to change without notice



Definite Purpose Motors

Pressure Washer Motors

Motors specially suited for hot or cold pressure washer applications and other single phase installations requiring minimum starting and running amperages.



Mechanical Features:

- Double shielded ball bearings
- Dynamically balanced rotors

Electrical Features:

- Windings dipped in heavy duty varnish system
- Capacitor start / capacitor run designs to reduce amp draw
- Manual reset overload protection
- High service factor

Single Phase - Drip-Proof - Rigid Base

HP	SYN RPM 60 Hz	NEMA Frame	Catalog Number	Stock	List Price	Model Number	App. Wgt. (lbs)	Voltage	Over-load Prot.	F. L. Amps @ 230 V	Service Factor	"C" Dim. (Inches)	Notes
3/4	3600	S56	100053.00	✓	420	M4C34DH3	24	115/208-230	Man.	4.9	1.25	10.49	S, MX
	1800	S56	101544.00	C/A	608	M4K17DH2	28	115/208-230	Man.	4.0	1.25	11.24	S, US, 53
1	3600	56	110097.00	✓	435	M6C34DB3	27	115/208-230	Man.	6.0	1.25	10.84	S, US
	1800	56	113630.00	✓	660	M6K17DB33	31	115/208-230	Man.	5.3	1.15	10.84	S, US, 53
1 1/2	3600	56	113631.00	✓	577	M6K34DB15	36	115/208-230	Man.	6.2	1.15	11.34	S, US, 53
	1800	56H	113266.00	✓	769	M6K17DB30	42	115/208-230	Man.	6.7	1.15	12.38	S, US, 6, 53
	1800	145T	120004.00	✓	822	P145K17DB3	40	115/208-230	Man.	8.6	1.15	12.28	S, US, 53
2	3600	56	113632.00	✓	779	P6K34DB16	36	115/208-230	Man.	8.6	1.15	11.34	S, US, 53
	1800	56H	116704.00	✓	822	P6K17DB47	45	115/208-230	Man.	8.6	1.15	12.88	S, US, 6, 53
	1800	145T	120879.00	✓	864	P145K17DB38	53	115/208-230	Man.	8.6	1.15	13.31	S, US
3	3600	56H	116706.00	✓	828	M6C34DB75	39	230	Man.	15.0	1.0	12.38	S, US, 6, 53
	1800	184T	131851.00	C/A	1022	184TBD7675	72	208-230	Man.	13.7	1.15	15.22	S, MX, 9
5	3600	56H	116708.00	✓	847	P6K34DB26	45	230	Man.	20.8	1.0	13.34	S, US, 6, 53
	1800	184T	131622.00	✓	1241	P184K17DB33	82	208-230	Man.	21.0	1.15	14.69	S, MX

C/A - Check Availability

♥ Note listing on inside back flap

Specifications are subject to change without notice

Single Phase - TEFC - Rigid Base

HP	SYN RPM 60 Hz	NEMA Frame	Catalog Number	Stock	List Price	Model Number	App. Wgt. (lbs)	Voltage	Over-load Prot.	F. L. Amps @ 230 V	Service Factor	"C" Dim. (Inches)	Notes
3/4	3600	56	110108.00	✓	443	M6C34FB7	26	115/208-230	Man.	5.0	1.15	11.31	S, US
	1800	56	110022.00	✓	602	M6C17FB7	29	115/208-230	Man.	5.4	1.15	11.31	S, US
1	3600	56	110142.00	✓	542	M6C34FB2	28	115/208-230	Man.	6.0	1.15	11.81	S, US
	1800	56	110023.00	✓	681	M6C17FB8	29	115/208-230	Man.	6.4	1.15	11.81	S, US
	1800	143T	120008.00	✓	681	M143C17FB2	31	115/208-230	Man.	6.4	1.15	12.75	S, US
1 1/2	3600	56	110109.00	✓	746	M6C34FB8	31	115/208-230	Man.	8.5	1.0	12.31	S, US
	1800	56H	113333.00	✓	771	M6K17FB32	38	115/208-230	Man.	8.6	1.0	12.81	S, US, 6, 53
	1800	145T	120009.00	✓	771	M145K17FB2	42	115/208-230	Man.	8.6	1.0	13.25	S, US, 53
2	3600	56H	110402.00	✓	871	P6C34FB23	41	115/208-230	Man.	10.0	1.0	13.31	S, US, 6, 53
	3600	145T	120395.00	✓	880	P145C34FB5	44	115/208-230	Man.	10.0	1.0	13.75	S, US
	1800	145T	120867.00	✓	1107	P145K17FB22	48	115/208-230	Man.	9.2	1.0	13.75	S, US, 53
3	3600	56H	116705.00	✓	908	P6K34FB31	53	230	Man.	14.0	1.0	13.81	S, US, 6, 53
	1800	184T	131855.00	✓	1227	P184K17FB26	88	230	Man.	13.7	1.15	16.86	S, MX, 53
5	3600	184T	132042.00	✓	1533	P184K34FB9	103	230	Man.	19.8	1.15	16.97	S, MX, 53
	1800	184T	131856.00	✓	1426	P184K17FB25	95	230	Man.	21.0	1.0	17.86	S, MX, 53

Specifications are subject to change without notice

♥ Note listing on inside back flap



Automotive Duty Motors

Pump Motors

Washguard Motors

Agricultural Motors

HVAC / Fan Motors

Special Voltage Motors

Definite Purpose Motors

Brake Motors

IEC Motors

Definite Purpose Motors

Pressure Washer Motors

Single Phase - Drip-Proof - C Face With Base

HP	SYN RPM 60 Hz	NEMA Frame	Catalog Number	Stock	List Price	Model Number	App. Wgt. (lbs)	Voltage	Over- load Prot.	F. L. Amps @ 230 V	Service Factor	"C" Dim. (Inches)	♥Notes
1 1/2	3600	56C	114214.00	✓	615	M6K34DK8	35	115/208-230	Man.	6.2	1.15	11.34	S, US
	1800	56HC	113700.00	✓	812	M6K17DK15	38	115/208-230	Man.	7.2	1.15	11.84	S, US, 6, 53
2	3600	56C	114215.00	✓	780	P6K34DK9	45	115/208-230	Man.	8.6	1.15	11.34	S, US
	1800	56HC	113281.00	✓	841	P6K17DK12	45	115/208-230	Man.	8.6	1.15	12.88	S, US, 6, 53
3	3600	56HC	116707.00	✓	852	M6C34DK5	41	230	Man.	15.0	1.0	12.38	S, US, 6, 53
	1800	184TC	131853.00	✓	1022	C184K17DK18	87	208-230	Man.	15.4	1.15	15.96	S, MX, 53
5	3600	56HC	116709.00	✓	872	P6K34DK18	46	230	Man.	20.8	1.0	13.54	S, US, 6, 53
	1800	184TC	131630.00	✓	1257	M184K17DK13	77	208-230	Man.	21.0	1.15	14.69	S, MX, 53

Specifications are subject to change without notice

♥ Note listing on inside back flap

Single Phase - TEFC - C Face With Base

HP	SYN RPM 60 Hz	NEMA Frame	Catalog Number	Stock	List Price	Model Number	App. Wgt. (lbs)	Voltage	Over- load Prot.	F. L. Amps @ 230 V	Service Factor	"C" Dim. (Inches)	♥Notes
1/3	1800	56C	116485.00	C/A	616	M6C17FK81	29	115/208-230	Man.	3.2	1.15	10.81	S, US, 57
1/2	1800	56C	116486.00	✓	706	M6C17FK80	23	115/208-230	Man.	4.4	1.15	10.81	S, US, 53
3/4	1800	56C	116487.00	✓	822	M6C17FK79	30	115/208-230	Man.	5.4	1.15	11.31	S, US, 53
1	3600	56C	115877.00	✓	518	M6C34FK78	28	115/208-230	Man.	6.0	1.15	11.81	S, US
	1800	56C	115879.00	✓	691	M6C17FK80	32	115/208-230	Man.	6.4	1.15	11.81	S, US
1 1/2	3600	56C	115024.00	✓	704	M6K34FK16	35	115/208-230	Man.	6.2	1.15	12.31	S, US, 53
	1800	56HC	116703.00	✓	825	M6K17FK50	39	115/208-230	Man.	8.6	1.15	12.81	S, US
2	3600	56HC	114995.00	✓	838	P6K34FK15	42	115/208-230	Man.	9.2	1.15	13.31	S, US, 53
	1800	145TC	121465.00	✓	1107	P145K17FK10	44	115/208-230	Man.	9.2	1.0	13.75	S, US
3	3600	56HC	115048.00	✓	916	P6K34FK17	53	115/208-230	Man.	14.0	1.0	13.81	S, US, 53
	1800	184TC	131857.00	✓	1564	P14K17FK14	104	230	Man.	13.7	1.15	17.61	S, MX, 53
5	3600	184TC	131632.00	✓	1572	P184K34FK2	103	230	Man.	19.8	1.15	16.97	S, MX
	1800	184TC	131633.00	✓	1638	P184K17FK11	989	230	Man.	23.0	1.0	16.97	S, MX

C/A - Check Availability

♥ Note listing on inside back flap

Specifications are subject to change without notice

Definite Purpose Motors Woodworking Motors

General Specifications:

- Motors designed for woodworking equipment such as table saws, planers, etc.
- Totally enclosed
- Fully gasketed to prevent dust entry



Single Phase - TEFC - Rigid Base

HP	SYN RPM 60 Hz	NEMA Frame	Catalog Number	Stock	List Price	Model Number	App. Wgt. (lbs)	Voltage	Over-load Prot.	F. L. Amps @ 230 V	Service Factor	"C" Dim. (Inches)	♥Notes
3/4	3600	56	110108.00	√	443	M6C34FB7	26	115/208-230	Man.	5.0	1.15	11.31	S, US
1	3600	56	110142.00	√	542	M6C34FB2	28	115/208-230	Man.	6.0	1.15	11.81	S, US
1 1/2	3600	56	110109.00	√	746	M6C34FB8	34	115/208-230	Man.	8.5	1.0	12.31	S, US
2	3600	56H	110402.00	√	871	P6C34FB23	41	115/208-230	Man.	10.0	1.0	13.31	S, US, 6
	3600	145T	120395.00	√	880	P145C34FB5	44	115/208-230	Man.	10.0	1.0	13.75	S, US
3	3600	145T	120341.00	√	903	C145K34FB3	46	230	None	13.0	1.0	14.25	S, US, 53

Specifications are subject to change without notice

♥ Note listing on inside back flap

Single Phase - TEFC - Rigid Base

HP	SYN RPM 60 Hz	NEMA Frame	Catalog Number	Stock	List Price	Model Number	App. Wgt. (lbs)	Voltage	Over-load Prot.	F. L. Amps @ 230 V	Service Factor	"C" Dim. (Inches)	♥Notes
3	3600	145TC	120824.00	√	976	P145K34FC6	56	230	Man.	13.0	1.0	14.25	S, US, 53

Specifications are subject to change without notice

♥ Note listing on inside back flap

General Specifications:

- Extra high breakdown torque
- 8 ft. cord with 115V plug
- On/off toggle switch
- Replaces Delta motor 62-042

Table Saw Motor



Single Phase - TEFC - Rigid Base

HP	SYN RPM 60 Hz	NEMA Frame	Catalog Number	Stock	List Price	Model Number	App. Wgt. (lbs)	Voltage	Over-load Prot.	F. L. Amps @ 230 V	Service Factor	"C" Dim. (Inches)	♥Notes
1 1/2	3600	56	113627.00	√	895	M6C34FB63	39	115/230	Man.	7.5	1.0	12.31	S, US

Specifications are subject to change without notice

♥ Note listing on inside back flap

View On-line Technical Information



Automotive Duty Motors

Pump Motors

Washguard Motors

Agricultural Motors

HVAC / Fan Motors

Special Voltage Motors

Definite Purpose Motors

Brake Motors

IEC Motors

Definite Purpose Motors

Contractors' Saw Motors

General Specifications:

- Motor pivots on rod for belt tensioning. Totally enclosed fan cooled motor produces extra high breakdown torques for maximum cutting power. Has 1 3/4" long shaft, 3/4" diameter with keyway. Added 54" cord to all motors 1 1/2-4 HP. Catalog numbers 120925 and 120997 replace Delta UNISAW® motor 83-621 (1 1/2 HP); 120728 and 120998 replace Delta UNISAW® motor 83-651 (3 HP).
- High breakdown torque
- Shaft size is 1-3/4" long by 3/4" Dia.
- Includes 54" cord
- Replaces Delta UNISAW® motors - 83-621 and 83-651



Single Phase - TEFC - Delta UNISAW® Mounting

HP	SYN RPM 60 Hz	NEMA Frame	Catalog Number	Stock	List Price	Model Number	App. Wgt. (lbs)	Voltage	Over-load Prot.	F. L. Amps @ 230 V	Service Factor	"C" Dim. (Inches)	♥Notes
1 1/2	3600	143Y	120925.00	√	801	C143C34FB5	44	115/230	None	10.0	1.0	12.68	S, US
2	3600	143Y	120997.00	√	879	C143C34FB6	44	115/230	None	11.0	1.0	12.68	S, US
3	3600	145Y	120728.00	√	1121	C145K34FB12	52	230	None	13.0	1.0	13.68	S, US, 53
4	3600	145Y	120998.00	√	1171	C145K34FB16	48	230	None	17.6	1.0	13.68	S, US, 53

UNISAW® is a registered trademark of Delta International.

♥ Note listing on inside back flap

Specifications are subject to change without notice

Contractors' Power Tool Motors

General Specifications:

- Designed for woodworking applications
- Electronic starting switch
- High starting and breakdown torques
- 48 frame model has 1-1/2" long shaft by 1/2" Dia.
- 56 frame models have a 1-7/8" long shaft by 5/8" Dia.
- Shaft extensions, each end, include keyway and flat, 90° apart



Single Phase - Drip Proof - Rigid Base - Double-Shaft

HP	SYN RPM 60 Hz	NEMA Frame	Catalog Number	Stock	List Price	Model Number	App. Wgt. (lbs)	Voltage	Over-load Prot.	F. L. Amps @ 230 V	Service Factor	"C" Dim. (Inches)	♥Notes
1/2	1800	S56Z	101781.00	√	532	C4C17DH106	17	115/208-230	None	4.4	1.25	12.43	S, US
3/4	3600	48Z	101782.00	√	547	C4C34DB15	24	115/208-230	None	4.9	1.25	12.18	S, US
1	3600	56Z	114216.00	√	572	C6C34DB71	27	115/208-230	None	6.0	1.25	12.81	S, US

Specifications are subject to change without notice

♥ Note listing on inside back flap



View On-line Technical Information



Definite Purpose Motors Instant Reversing Motors

Parking Gates, Door Operators & Slide Gates

General Specifications:

Specially designed motors for use on "instant-reversing" parking gates, doors, slide gates, or other moderate starting torque instant reversing applications. Capable of frequent reversing service.



Features (Resilient Base and C Face):

- Instant "plug-reversing" with simple three-wire connection
- Manual overload protected
- Approx. 150% starting torque - not suitable for hard start applications

Features (Rigid Base):

- Capacitor start, induction run motors with solid state, instant reversing switch
- Manual overload protected

Single Phase - Drip-Proof - Resilient Base

HP	SYN RPM 60 Hz	NEMA Frame	Catalog Number	Stock	List Price	Model Number	App. Wgt. (lbs)	Voltage	Over- load Prot.	F. L. Amps @ 230 V	Service Factor	"C" Dim. (Inches)	♥Notes
1/3	1625	S56	191742.00	✓	491	M4P17DJ21	18	115	Man.	4.0	1.0	10.31	S, CN
1/2	1625	S56	100802.00	✓	542	M4P17DJ7	24	115	Man.	6.1	1.0	11.31	S, MX
		S56	103460.00	✓	402	5KCP35JNC128Y	22	115	Man.	5.0	1.0	9.94	S, MX
		S56	191743.00	✓	552	M4P17DJ22	24	115	Man.	4.6	1.0	10.31	S, CN
3/4	1625	56H	113642.00	✓	647	M6P17DR4	33	115	Man.	8.2	1.0	11.31	S, US

Specifications are subject to change without notice

♥ Note listing on inside back flap

Continued On Next Page

View On-line Technical Information



Automotive
Duty Motors

Pump
Motors

Washguard
Motors

Agricultural
Motors

HVAC / Fan
Motors

Special Voltage
Motors

Definite
Purpose Motors

Brake Motors

IEC Motors

Definite Purpose Motors

Instant Reversing Motors



Single Phase - Drip-Proof - C Face Less Base

HP	SYN RPM 60 Hz	NEMA Frame	Catalog Number	Stock	List Price	Model Number	App. Wgt. (lbs)	Voltage	Over- load Prot.	F. L. Amps @ 230 V	Service Factor	"C" Dim. (Inches)	♥Notes
1/3	1625	S56C	102017.00	√	483	M4P17DC29	18	115	Man.	4.2	1.0	9.99	S, MX
1/2	1625	S56C	102021.00	√	542	M4P17DC30	22	115	Man.	6.1	1.0	10.49	S, MX
	1625	S56C	100704.00*	√	542	M4P17DC7	16	115	Man.	4.1	1.0	10.24	S, MX

* Motor has same electrical design as 102017, but is rated for intermittent duty.

♥ Note listing on inside back flap

Specifications are subject to change without notice



Single Phase - TEFC - Rigid Base

HP	SYN RPM 60 Hz	NEMA Frame	Catalog Number	Stock	List Price	Model Number	App. Wgt. (lbs)	Voltage	Over- load Prot.	F. L. Amps @ 230 V	Service Factor	"C" Dim. (Inches)	♥Notes
3/4	1800	56	114932.00	√	695	P6C17FB113	30	115/208-230	Man.	5.4	1.15	11.31	S, MX
1	1800	56	114933.00	√	760	P6C17FB112	30	115/208-230	Man.	6.4	1.15	11.81	S, MX

Specifications are subject to change without notice

♥ Note listing on inside back flap



View On-line Technical Information

Definite Purpose Motors

Boat Hoist Duty Motors

Automotive
Duty Motors

Pump
Motors

Washguard
Motors

Agricultural
Motors

HVAC / Fan
Motors

Special Voltage
Motors

Definite
Purpose Motors

Brake Motors

IEC Motors

Our Electra Gear line of Boat Hoist Duty motors provide customized features that are needed to support the Boat Hoist Industry.



Features Include:

- Stainless steel frame, base, capacitor case and conduit box cover
- 15 minute duty cycle
- Drain holes located at 6:00 position
- TENV enclosure
- Die cast Aluminum endbells
- Capacitor case located at 12:00
- 115/230 Volt – 1.15 S.F.
- UL recognized component listing and CSA approved

Single Phase - TENV - C Face With Base

HP	SYN RPM 60 Hz	NEMA Frame	Catalog Number	Stock	List Price	Model Number	App. Wgt. (lbs)	Voltage	F. L. Amps @ 230 V	"C" Dim. (Inches)	♥Notes
1/2	1800	56C	6439191250	✓	415	6439191250	23	115/208-230	4.1	10.5	S, CN
3/4	1800	56C	6439191251	✓	449	6439191251	26	115/208-230	4.9	11.1	S, CN
1	1800	56C	6439191252	✓	489	6439191252	33	115/208-230	6.8	11.7	S, CN
1 1/2	1800	56C	6439191253	✓	570	6439191253	47	115/208-230	8.4	12.6	S, CN

Specifications are subject to change without notice

♥ Note listing on inside back flap

Single Phase - TENV - C Face Less Base

HP	SYN RPM 60 Hz	NEMA Frame	Catalog Number	Stock	List Price	Model Number	App. Wgt. (lbs)	Voltage	F. L. Amps @ 230 V	"C" Dim. (Inches)	♥Notes
1/2	1800	56C	6439191260	✓	403	6439191260	22	115/208-230	4.1	10.5	S, CN
3/4	1800	56C	6439191261	✓	438	6439191261	24	115/208-230	4.9	11.1	S, CN
1	1800	56C	6439191262	✓	477	6439191262	32	115/208-230	6.8	11.7	S, CN
1 1/2	1800	56C	6439191263	✓	557	6439191263	46	115/208-230	8.4	12.6	S, CN
2	1800	56C	6439191264	✓	628	6439191264	48	115/208-230	9.0	13.4	S, CN

Specifications are subject to change without notice

♥ Note listing on inside back flap

View On-line Technical Information



Definite Purpose Motors

Two-Speed Motors

Three Phase - Variable and Constant Torque Designs

General Specifications:

Two-speed, single winding design motors. See pages 197 and 198 for typical applications and characteristic speed torque curves.



Variable Torque - 460 Volt - One Winding - TEFC - Rigid Base - 1725/850 RPM

HP	SYN RPM 60 Hz	NEMA Frame	Catalog Number	Stock	List Price	Model Number	App. Wgt. (lbs)	Voltage	F. L. Amps @ 460 V	Service Factor	"C" Dim. (Inches)	♥Notes
1/25	1800/900	143T	120945.00	√	919	C143T48FB7	36	460	1.6-0.7	1.0	12.75	S, US
1.5/37	1800/900	145T	120941.00	√	957	C145T48FB60	36	460	2.4-1.0	1.0	12.75	S, US
2/5	1800/900	145T	120940.00	C/A	1116	C145T48FB48	36	460	3.2-1.3	1.0	12.75	S, US
3/7.5	1800/900	184T	131474.00	C/A	1195	C184T48FB67	77	460	4.0-1.8	1.0	14.46	S, MX
5/1.2	1800/900	184T	131475.00	√	1525	C184T48FB68	107	460	6.5-2.5	1.0	15.96	S, MX
7.5/1.9	1800/900	215T	140447.00	√	2149	C215T48FB46	155	460	9.7-3.3	1.0	17.71	S, MX
10/2.5	1800/900	215T	140448.00	√	2531	C215T48FB48	168	460	12.7-4.2	1.0	18.71	S, MX

C/A - Check Availability

♥ Note listing on inside back flap

Specifications are subject to change without notice

Variable Torque - 208-230 Volt - One Winding - TEFC - Rigid Base - 1725/850 RPM

HP	SYN RPM 60 Hz	NEMA Frame	Catalog Number	Stock	List Price	Model Number	App. Wgt. (lbs)	Voltage	F. L. Amps @ 230 V	Service Factor	"C" Dim. (Inches)	♥Notes
1/25	1800/900	143T	120944.00	√	919	C143T48FB6	36	208-230	3.2-1.4	1.0	12.75	S, US
1.5/37	1800/900	145T	120947.00	√	959	C145T48FB61	36	208-230	4.8-2.0	1.0	12.75	S, US
2/5	1800/900	145T	120946.00	√	1116	C145T48FB59	35	208-230	6.3-2.6	1.0	12.75	S, US
3/7.5	1800/900	184T	131468.00	√	1195	C184T48FB61	78	208-230	8.0-3.6	1.0	14.46	S, MX
5/1.2	1800/900	184T	131469.00	√	1525	C184T48FB62	94	208-230	13.0-5.0	1.0	15.96	S, MX
7.5/1.9	1800/900	215T	140443.00	C/A	2170	C215T48FB45	154	208-230	19.4-6.6	1.0	17.71	S, MX
10/2.5	1800/900	215T	140444.00	C/A	2531	C215T48FB47	166	208-230	25.4-8.4	1.0	18.71	S, MX

C/A - Check Availability

♥ Note listing on inside back flap

Specifications are subject to change without notice

Constant Torque - 460 Volt - One Winding - TEFC - Rigid Base - 1725/850 RPM

HP	SYN RPM 60 Hz	NEMA Frame	Catalog Number	Stock	List Price	Model Number	App. Wgt. (lbs)	Voltage	F. L. Amps @ 460 V	Service Factor	"C" Dim. (Inches)	♥Notes
1/5	1800/900	143T	120943.00	√	1311	C143T48FB9	36	460	1.4-1.6	1.0	13.25	S, US
2/1	1800/900	184T	131471.00	√	1676	C184T48FB64	68	460	2.9-2.9	1.0	13.96	S, MX
3/1.5	1800/900	184T	131470.00	√	1902	C184T48FB63	80	460	3.8-3.5	1.0	14.96	S, MX
5/2.5	1800/900	215T	140445.00	C/A	2486	C215T48FB43	145	460	6.7-7.0	1.0	17.71	S, MX

C/A - Check Availability

♥ Note listing on inside back flap

Specifications are subject to change without notice

Constant Torque - 208-230 Volt - One Winding - TEFC - Rigid Base - 1725/850 RPM

HP	SYN RPM 60 Hz	NEMA Frame	Catalog Number	Stock	List Price	Model Number	App. Wgt. (lbs)	Voltage	F. L. Amps @ 230 V	Service Factor	"C" Dim. (Inches)	♥Notes
1/5	1800/900	143T	120942.00	√	1311	C143T48FB8	37	208-230	3.2-4.2	1.0	12.75	S, US
2/1	1800/900	184T	131473.00	C/A	1676	C184T48FB66	69	208-230	5.8-5.7	1.0	13.96	S, MX
3/1.5	1800/900	184T	131472.00	√	1902	C184T48FB65	80	208-230	7.6-6.9	1.0	14.96	S, MX
5/2.5	1800/900	215T	140446.00	C/A	2486	C215T48FB44	137	208-230	13.4-14.0	1.0	17.71	S, MX

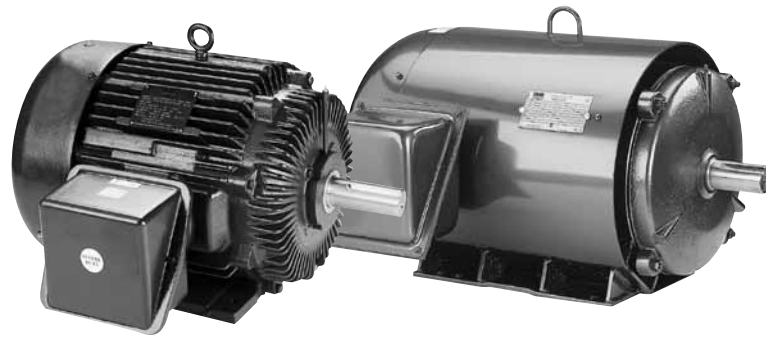
C/A - Check Availability

♥ Note listing on inside back flap

Specifications are subject to change without notice

Definite Purpose Motors

Crusher Duty



Applications:

Ideally suited for size reduction equipment including rock crushers and pulverizers and other uses in the aggregate and construction industries. Crusher Duty motors are designed for belted (radial) loads only.

Features:

- Drive end roller bearing
- Superior speed-torque curves - most SF models nameplated Design B & C. all CCS models labeled Design C.
- Inverter-rated
- Continuous duty
- Construction materials (first letter of model number)
- C – full cast iron construction
- S – steel frame and cast iron end brackets
- Substantial weight savings with steel frame designs
- Premium Class F insulation system
- Across-the-line, Y-Delta (YDS) and Part Winding (PWS) start capability
- Installation versatility - mount Lincoln Crusher Duty motors horizontal or vertical shaft down
- Over temperature protection – Class F thermostats
- Drive-end roller bearing for belted load applications
- 4140 grade high strength shaft material
- Contact your local sales office for higher HP ratings

Automotive
Duty Motors

Pump
Motors

Washguard
Motors

Agricultural
Motors

HVAC / Fan
Motors

Special Voltage
Motors

Definite
Purpose Motors

Brake Motors

IEC Motors



Definite Purpose Motors

TEFC • Crusher Duty

Three Phase - TEFC - Rigid Base

HP	SYN RPM 60 Hz	NEMA Frame	▼ Catalog Number	Stock	List Price	Model Number	App. Wgt. (lbs)	Voltage	% F. L. Eff.	Service Factor	♥Notes
100	1800	405T	LM18759	C/A	17139	SF4B100T64PYRBT1	1002	460	95.4	1.15	S, US
	1800	405T	LM33029	C/A	18990	CCS4B100T64PYRBT1	1338	460	92.4	1.15	C, US
	1200	444T	LM17733	C/A	22636	SF6B100T64PYRBT1	1351	460	95.4	1.15	S, US
	1200	444T	LM33030	C/A	25194	CCS6B100T64PYRBT1	1690	460	95.0	1.15	C, US
125	1800	444T	LM17734	C/A	22504	SF4B125T64PYRBT1	1351	460	96.2	1.15	S, US
	1800	444T	LM33031	C/A	24443	CCS4B125T64PYRBT1	1727	460	95.4	1.15	C, US
	1200	445T	LM17735	C/A	27404	SF6B125T64PYRBT1	1531	460	95.8	1.15	S, US
150	1200	445T	LM33032	C/A	30284	CCS6B125T64PYRBT1	1960	460	95.0	1.15	C, US
	1800	445T	LM17736	C/A	26401	SF4B150T64PYRBT1	1531	460	96.2	1.15	S, US
	1800	445T	LM33033	C/A	28412	CCS4B150T64PYRBT1	2090	460	95.8	1.15	C, US
	1200	445T	LM17737	C/A	31521	SF6B150T64PYRBT1	1531	460	95.8	1.15	S, US
200	1200	445T	LM33034	C/A	33374	CCS6B150T64PYRBT1	2458	460	95.8	1.15	C, US
	1800	445T	LM17738	C/A	31078	SF4B200T64PYRBT1	1531	460	96.2	1.15	S, US
	1800	449T	LM33035	C/A	33629	CC449B4P200T64PYCR1	2345	460	96.2	1.15	C, US
	1200	447T	LM17740	C/A	35751	SF6B200T64PYRBT1	1812	460	95.8	1.15	S, US
250	1200	447T	LM33036	C/A	40132	CCS6B200T64PYRBT1	3087	460	95.8	1.15	C, US
	1800	447T	LM17741	C/A	36641	SF4B250T64PYRBT1	1812	460	96.2	1.15	S, US
	1800	449T	LM17701	C/A	35788	CC449S4P250T64PYRBT1	2760	460	95.4	1.15	C, US
	1800	447T	LM17714	C/A	30043	SF4P250T64PYRBT1	1812	460	95.0	1.15	S, US
300	1200	449T	LM17742	C/A	43766	SF6B250T64PYRBT1	2185	460	95.4	1.00	S, US
	1200	449T	LM17702	C/A	42664	CCS6P250T64PYRBT1	3408	460	95.4	1.15	C, US
	1200	449T	LM17715	C/A	35685	SF6P250T64PYRBT1	2185	460	95.4	1.00	S, US
	1800	447T	LM17743	C/A	39759	SF4B300T64PYRBT1	1812	460	96.2	1.15	S, US
	1800	449T	LM31049	C/A	37518	CC449S4P300T64PYCR1	TBD	460	95.4	1.15	C, US
	1800	449T	LM18757	C/A	31847	S449F4P300T64PYRBT1	2185	460	95.4	1.15	S, US
350	1800	447T	LM17716	C/A	30519	SF4P300T64PYRBT1	1812	460	95.4	1.00	S, US
	1200	449T	LM17744	C/A	54897	SF6B300T64PYRBT1	2185	460	95.8	1.00	S, US
	1200	449T	LM17704	C/A	53499	CCS6P300T64PYRBT1	3500	460	95.8	1.15	C, US
	1800	449T	LM17745	C/A	48219	SF4B350T64PYRBT1	2185	460	96.2	1.15	S, US
400	1800	449T	LM17705	C/A	44099	CCS4P350T64PYRBT1	3218	460	95.0	1.15	C, US
	1800	449T	LM17718	C/A	31469	SF4P350T64PYRBT1	2185	460	95.4	1.15	S, US
	1800	449T	LM17746	C/A	55455	SF4B400T64PYRBT1	2185	460	95.4	1.15	S, US
400	1800	449T	LM17706	C/A	51555	CCS4P400T64PYRBT1	3400	460	95.8	1.15	C, US
	1800	449T	LM17719	C/A	40343	SF4P400T64PYRBT1	2185	460	95.4	1.00	S, US

▼ LM Numbers are Lincoln Models

♥ Note listing on inside back flap

C/A - Check Availability

Specifications are subject to change without notice



View On-line Technical Information



Definite Purpose Motors Hydraulic Elevator Duty Motors

Automotive
Duty Motors

Pump
Motors

Washguard
Motors

Agricultural
Motors

HVAC / Fan
Motors

Special Voltage
Motors

Definite
Purpose Motors

Brake Motors

IEC Motors

Applications:

Hydraulic pump passenger, service, freight, and dumbwaiter low rise elevators. Typically hydraulic elevators travel up to 6 floors at speeds up to 200 fpm.

Features:

- Dual rated nameplates for 80 & 120 starts/hour
- Designed for belt driven pumps
- Wye Start/Delta Run
- Class F Insulated
- 40° C ambient
- F-1 mounting
- Ball bearings with grease fittings and automatic relief
- NEMA dimensions
- UL recognized component listing and CSA approved
- Constructed for low noise and low vibration
- **80 Starts Per Hour**



Three Phase - Drip-Proof - Rigid Base

HP	SYN RPM	Frame	▼ Catalog Number	Stock	List Price	Model Number	App. Wgt. (lbs)	Voltage	% F. L. Nom. Eff.	80 Starts F.L. Amps	Locked Rotor Amps	♥Notes
15	3600	213T	LM30091	C/A	1236	SSD2P10/15T6006YEH2	114	200	88.5	27	187	S, US
			LM30092	C/A	1236	SSD2P10/15T61YEH2	149	230/460	88.5	36	162/81	S, US
	1800	215T	LM28867	C/A	1135	SSD4G10/15T6006YEH2	128	200	89.5	45	170	S, US
			LM28868	C/A	1135	SSD4S10/15T61YEH2	124	230/460	89.5	39.2/19.6	148/74	S, US
			LM28869	C/A	1135	SSD4P10/15T65YEH2	128	575	91.0	16	59.2	S, US
20	3600	215T	LM30093	✓	1615	SSD2P15/20T6006YEH2	135	200	90.2	53	267	S, US
			LM30094	✓	1615	SSD2P15/20T61YEH2	138	230/460	90.2	46/23	232/116	S, US
	1800	254T	LM28873	C/A	1548	SSD4G15/20T6006YEH2	203	200	91.0	59	267	S, US
			LM28874	C/A	1548	SSD4G15/20T61YEH2	205	230/460	91.0	51.4/25.7	232/116	S, US
			LM28875	C/A	1548	SSD4P15/20T65YEH2	203	575	91.0	21	93	S, US
25	3600	254T	LM30095	✓	2048	SSD2P20/25T6006YEH2	128	200	91.0	67	334	S, US
			LM30096	✓	2048	SSD2P20/25T61YEH2	134	230/460	91.0	58/29	290/145	S, US
	1800	256T	LM28879	C/A	1957	SSD4G20/25T6006YEH2	233	200	91.0	74	368	S, US
			LM28880	C/A	1957	SSD4G20/25T61YEH2	233	230/460	91.0	64/32	320/160	S, US
			LM28881	C/A	1957	SSD4P20/25T65YEH2	233	575	92.4	26	128	S, US
30	3600	256T	LM30097	✓	2463	SSD2P25/30T6006YEH2	235	200	91.0	80	419	S, US
			LM30098	✓	2463	SSD2P25/30T61YEH2	235	230/460	91.0	69/34.5	364/182	S, US
	1800	284T	LM29850	C/A	2986	CCD4G25/30T6006YEH2	300	200	91.7	84	391	S, US
			LM29851	C/A	2586	CCD4G25/30T61YEH2	318	230/460	90.2	73/36.5	340/170	S, US
			LM33046	✓	2960	CCD4B25/30T61YEH2	320	230/460	94.1	73/36.5	360/180	S, US
1800	284T	LM29854	C/A	2586	CCD4G25/30T65YEH2	300	575	91.7	29	136	S, US	

▼ LM Numbers are Lincoln Models

♥ Note listing on inside back flap

C/A - Check Availability

Continued On Next Page

Specifications are subject to change without notice

View On-line Technical Information



Definite Purpose Motors

Hydraulic Elevator Duty Motors

Three Phase - Drip-Proof - Rigid Base

HP	SYN RPM	Frame	▼ Catalog Number	Stock	List Price	Model Number	App. Wgt. (lbs)	Voltage	% F. L. Nom. Eff.	80 Starts F.L. Amps	Locked Rotor Amps	♥Notes
40	3600	284T	LM30099	✓	3172	CCD2P30/40T6006YEH2	320	200	91.7	112	460	S, US
	3600	284T	LM30100	✓	3172	CCD2P30/40T61YEH2	322	230/460	91.7	97/48.5	400/200	S, US
	3600	284T	LM33047	C/A	3631	CCD2B30/40T61YEH2	325	230/460	92.4	90/45	460/230	S, US
	1800	286T	LM29852	C/A	2999	CCD4G30/40T6006YEH2	450	200	92.4	112	495	S, US
	1800	286T	LM29853	C/A	2999	CCD4G30/40T61YEH2	600	230/460	92.4	97/48.5	430/215	S, US
	1800	286T	LM33048	✓	3433	CCD4B30/40T61YEH2	610	230/460	94.1	96/48	416/208	S, US
	1800	286T	LM29855	C/A	2999	CCD4G30/40T65YEH2	653	575	92.4	39	172	S, US
50	3600	286T	LM30101	C/A	4052	CCD2P40/50T6006YEH2	460	200	92.4	135	667	S, US
	3600	286T	LM30102	✓	4052	CCD2P40/50T61YEH2	462	230/460	92.4	117/58.5	580/290	S, US
	1800	324T	LM28897	C/A	4013	SD4G40/50T6006YEH2	550	200	92.4	145	630	S, US
	1800	324T	LM28898	C/A	4013	SD4G40/50T61YEH2	552	230/460	92.4	126/63	548/274	S, US
	1800	324T	LM32651	✓	4595	SD4B40/50T61YEH2	554	230/460	94.5	125/62.5	530/265	S, US
	1800	324T	LM28899	C/A	4013	SD4G40/50T65YEH2	550	575	92.4	51	220	S, US
60	1800	326T	LM28903	C/A	4458	SD4G50/60T6006YEH2	519	200	92.4	176	794	S, US
	1800	326T	LM28904	C/A	4458	SD4G50/60T61YEH2	530	230/460	92.4	153/76.5	690/345	S, US
	1800	326T	LM32663	✓	5103	SF4B50/60T61YEH2	535	230/460	93.6	151/75.5	650/325	S, US
	1800	326T	LM28905	C/A	4458	SD4G50/60T65YEH2	519	575	92.4	61	276	S, US
	75	1800	364T	LM28909	C/A	5519	SD4G60/75T6006YEH2	693	200	93.6	206	1000
1800		364T	LM28910	✓	5519	SD4S60/75T61YEH2	709	230/460	93.6	179/89.5	870/435	S, US
1800		364T	LM28911	C/A	5519	SD4G60/75T65YEH2	709	575	93.6	72	350	S, US
100	1800	365T	LM28914	C/A	5780	SD4G75/100T61YEH2	754	230/460	94.1	250/125	1084/542	S, US
	1800	365T	LM28915	C/A	5780	SD4P75/100T65YEH2	754	575	94.1	100	435	S, US

▼ LM Numbers are Lincoln Models

♥ Note listing on inside back flap

C/A - Check Availability

Specifications are subject to change without notice

Wye Wound For Electronic Start Or Across The Line Starting

Features:

- 80 Starts Per Hour

Three Phase - Drip-Proof - Rigid Base

HP	SYN RPM	Frame	▼ Catalog Number	Stock	List Price	Model Number	App. Wgt. (lbs)	Voltage	% F. L. Nom. Eff.	80 Starts F.L. Amps	Locked Rotor Amps	♥Notes
5	1800	182T	LM28918	C/A	580	SSD4P5T6006YEH1	68	200	97.5	15	73.6	S, US
	1800	182T	LM28919	C/A	580	SSD4P5T61YEH1	89	230/460	87.5	13/6.5	64/32	S, US
	1800	182T	LM28920	C/A	580	SSD4P5T65YEH1	79	575	87.5	5	25.6	S, US
7.5	1800	184T	LM28921	C/A	653	SSD4S7.5T6006EH1	98	200	82.5	23	106	S, US
	1800	184T	LM28922	C/A	653	SSD4S7.5T61EH1	101	230/460	82.5	19.8/9.9	92/46	S, US
	1800	184T	LM28923	C/A	653	SSD4S7.5T65YEH1	98	575	82.5	8	36.8	S, US
10	1800	213T	LM28924	C/A	962	SSD4S10T6006EH1	112	200	85.5	30	146	S, US
	1800	213T	LM28925	C/A	962	SSD4S10T61EH1	115	230/460	85.5	25.8/12.9	127/63.5	S, US
	1800	213T	LM28926	C/A	962	SSD4S10T65YEH1	112	575	85.5	10	50.8	S, US

▼ LM Numbers are Lincoln Models

♥ Note listing on inside back flap

C/A - Check Availability

Specifications are subject to change without notice



View On-line Technical Information



Definite Purpose Motors

Hydraulic Elevator Duty Motors

Features:

- 120 Starts Per Hour

Three Phase - Drip-Proof - Rigid Base

HP	SYN RPM	Frame	▼ Catalog Number	Stock	List Price	Model Number	App. Wgt. (lbs)	Voltage	% F. L. Nom. Eff.	120 Starts F.L. Amps	Locked Rotor Amps	♥Notes
10	3600	213T	LM30091	C/A	1236	SSD2P10/15T6006YEH2	114	200	88.5	27	187	S, US
	3600	213T	LM30092	C/A	1236	SSD2P10/15T61YEH2	149	230/460	88.5	36	162/81	S, US
	1800	215T	LM28867	C/A	1135	SSD4G10/15T6006YEH2	128	200	89.5	45	170	S, US
	1800	215T	LM28868	C/A	1135	SSD4S10/15T61YEH2	124	230/460	89.5	25/12.5	148/74	S, US
	1800	215T	LM28869	C/A	1135	SSD4P10/15T65YEH2	128	575	91.0	16	59.2	S, US
15	3600	215T	LM30093	✓	1615	SSD2P15/20T6006YEH2	135	200	90.2	53	267	S, US
	3600	215T	LM30094	✓	1615	SSD2P15/20T61YEH2	138	230/460	90.2	46/23	232/116	S, US
	1800	254T	LM28873	C/A	1548	SSD4G15/20T6006YEH2	203	200	91.0	59	267	S, US
	1800	254T	LM28874	C/A	1548	SSD4G15/20T61YEH2	205	230/460	91.0	38.5/19.2	232/116	S, US
	1800	254T	LM28875	C/A	1548	SSD4P15/20T65YEH2	203	575	91.0	21	93	S, US
20	3600	254T	LM30095	✓	2048	SSD2P20/25T6006YEH2	128	200	91.0	67	334	S, US
	3600	254T	LM30096	✓	2048	SSD2P20/25T61YEH2	134	230/460	91.0	58/29	290/145	S, US
	1800	256T	LM28879	C/A	1957	SSD4G20/25T6006YEH2	233	200	91.0	74	368	S, US
	1800	256T	LM28880	C/A	1957	SSD4G20/25T61YEH2	233	230/460	91.0	64/32	320/160	S, US
	1800	256T	LM28881	C/A	1957	SSD4P20/25T65YEH2	233	575	92.4	26	128	S, US
25	3600	256T	LM30097	✓	2463	SSD2P25/30T6006YEH2	235	200	91.0	80	419	S, US
	3600	256T	LM30098	✓	2463	SSD2P25/30T61YEH2	235	230/460	91.0	69/34.5	364/182	S, US
	1800	284T	LM29850	C/A	2986	CCD4G25/30T6006YEH2	300	200	91.7	84	391	S, US
	1800	284T	LM29851	C/A	2586	CCD4G25/30T61YEH2	318	230/460	90.2	61/30.5	340/170	S, US
	1800	284T	LM33046	✓	2960	CCD4B25/30T61YEH2	320	230/460	94.1	62/31	360/180	S, US
30	1800	284T	LM29854	C/A	2586	CCD4G25/30T65YEH2	300	575	91.7	29	136	S, US
	3600	284T	LM30099	✓	3172	CCD2P30/40T6006YEH2	320	200	91.7	112	460	S, US
	3600	284T	LM30100	✓	3172	CCD2P30/40T61YEH2	322	230/460	91.7	72/36	400/200	S, US
	3600	284T	LM33047	C/A	3631	CCD2B30/40T61YEH2	325	230/460	92.4	68/34	460/230	S, US
	1800	286T	LM29852	C/A	2999	CCD4G30/40T6006YEH2	450	200	92.4	112	495	S, US
40	1800	286T	LM29853	C/A	2999	CCD4G30/40T61YEH2	600	230/460	92.4	72/36	430/215	S, US
	1800	286T	LM33048	✓	3433	CCD4B30/40T61YEH2	610	230/460	94.1	74/37	416/208	S, US
	1800	286T	LM29855	C/A	2999	CCD4G30/40T65YEH2	653	575	92.4	39	172	S, US
	3600	286T	LM30101	C/A	4052	CCD2P40/50T6006YEH2	460	200	92.4	135	667	S, US
	3600	286T	LM30102	✓	4052	CCD2P40/50T61YEH2	462	230/460	92.4	117/58.5	580/290	S, US
50	1800	324T	LM28897	C/A	4013	SD4G40/50T6006YEH2	550	200	92.4	145	630	S, US
	1800	324T	LM28898	C/A	4013	SD4G40/50T61YEH2	552	230/460	92.4	106/53	548/274	S, US
	1800	324T	LM32651	✓	4595	SD4B40/50T61YEH2	554	230/460	94.5	103/51.5	530/265	S, US
	1800	324T	LM28899	C/A	4013	SD4G40/50T65YEH2	550	575	92.4	51	220	S, US
	1800	326T	LM28903	C/A	4458	SD4G50/60T6006YEH2	519	200	92.4	176	794	S, US
60	1800	326T	LM28904	C/A	4458	SD4G50/60T61YEH2	530	230/460	92.4	130/65	690/345	S, US
	1800	326T	LM32663	✓	5103	SF4B50/60T61YEH2	535	230/460	93.6	131/65.5	650/325	S, US
	1800	326T	LM28905	C/A	4458	SD4G50/60T65YEH2	519	575	92.4	61	276	S, US
	1800	364T	LM28909	C/A	5519	SD4G60/75T6006YEH2	693	200	93.6	206	1000	S, US
	1800	364T	LM28910	✓	5519	SD4S60/75T61YEH2	709	230/460	93.6	145/72.5	870/435	S, US
75	1800	364T	LM28911	C/A	5519	SD4G60/75T65YEH2	709	575	93.6	72	350	S, US
	1800	365T	LM28914	C/A	5780	SD4G75/100T61YEH2	754	230/460	94.1	187/93.5	1084/542	S, US
	1800	365T	LM28915	C/A	5780	SD4P75/100T65YEH2	754	575	94.1	100	435	S, US

▼ LM Numbers are Lincoln Models

♥ Note listing on inside back flap

C/A - Check Availability

Specifications are subject to change without notice

View On-line Technical Information



Automotive Duty Motors

Pump Motors

Washguard Motors

Agricultural Motors

HVAC / Fan Motors

Special Voltage Motors

Definite Purpose Motors

Brake Motors

IEC Motors

Definite Purpose Motors

VVVF (Variable Voltage-Variable Frequency) Traction Elevator Hoist Motors

Applications:

Designed for Geared and Gearless Traction Elevators, 100 fpm to 500 fpm operation and up to 12 or 15 floors.

Features:

- Dynamic balanced for low vibration operation
- Normally closed thermostats, one per phase
- Low noise design
- Steel frame construction with cast iron endbells
- Class F Insulated, 40° C ambient
- Epact efficiency or better
- 1.0 service factor
- 1024 PPR encoder, with 1-inch shaft bore standard
- F-1 mounting
- 1000:1 inverter duty capability



Three Phase - Drip-Proof - Rigid Base with Encoder

HP	SYN RPM	No. of Poles	Frame	▼ Catalog Number	Stock	List Price	Model Number	App. Wgt. (lbs)	HZ	Voltage	F. L. Amps	Rated Accel. Torque	♥Notes
7 1/2	1200	6	254T	LM28114	✓	3559	SD6P7.5T61ET1	221	60	230/460	24/12	225%	S, US
			254T	LM28115	✓	3559	SD6P7.5T6006ET1	221	60	200	28	225%	S, US
	1200	4	254T	LM28116	C/A	3491	SD4P7.5T41ET1	200	40	230/460	19/9.5	275%	S, US
			254T	LM28117	C/A	3491	SD4P7.5T4006ET1	200	40	200	22	275%	S, US
	900	4	256T	LM28118	C/A	3877	SD4P7.5T31ET1	278	30	230/460	19.6/9.8	275%	S, US
			256T	LM28119	C/A	3877	SD4P7.5T3006ET1	278	30	200	23	275%	S, US
10	1200	6	256T	LM28120	✓	3956	SSD6P10T61ET1	214	60	230/460	24/12	250%	S, US
			256T	LM28121	✓	3956	SD6P10T6006ET1	214	60	200	28	250%	S, US
	1200	4	256T	LM28122	C/A	3877	SD4P10T41ET1	232	40	230/460	19/9.5	275%	S, US
			256T	LM28123	C/A	3877	SSD4P10T4006ET1	232	40	200	22	275%	S, US
	900	4	284T	LM28124	C/A	4590	SD4P10T31ET1	280	30	230/460	19.6/9.8	330%	S, US
			284T	LM28125	C/A	4590	SD4P10T3006ET1	280	30	200	23	330%	S, US
12 1/2	1200	6	284T	LM31393	C/A	4725	SD6P12.5T61ET1	338	60	230/460	42/21	300%	S, US
			284T	LM30676	✓	4725	SD6P12.5T6006YET1	338	60	200	48.5	300%	S, US
	900	4	284T	LM30677	C/A	4983	SD4P12.5T31ET1	365	30	230/460	34/17	300%	S, US
			284T	LM30678	C/A	4983	SD4P12.5T3006ET1	365	30	200	38.5	300%	S, US
15	1800	4	256T	LM30679	C/A	3956	SD4P15T61ET1	233	60	230/460	—	—	S, US
			256T	LM30680	C/A	3956	SD4P15T6006ET1	233	60	200	—	—	S, US
	1200	6	284T	LM28126	✓	4754	SD6S15T61YET1	341	60	230/460	49/24.5	300%	S, US
			284T	LM28127	C/A	4754	SD6G15T6006YET1	338	60	200	56.5	300%	S, US
	1200	4	284T	LM28128	C/A	4590	SD4P15T41ET1	344	40	230/460	40/20	330%	S, US
			284T	LM28129	C/A	4590	SD4P15T4006ET1	344	40	200	46	330%	S, US
900	4	286T	LM30535	C/A	5375	SD4S15T31YET1	392	30	230/460	40/20	300%	S, US	
		286T	LM28131	C/A	5375	SD4P15T3006ET1	392	30	200	46	300%	S, US	
20	1800	4	256T	LM30681	C/A	4356	SD4P20T61ET1	240	60	230/460	—	—	S, US
			256T	LM30682	C/A	4356	SD4P20T6006ET1	240	60	200	—	—	S, US

▼ LM Numbers are Lincoln Models

C/A - Check Availability

Specifications are subject to change without notice

♥ Note listing on inside back flap

Continued On Next Page



View On-line Technical Information

VVVF (Variable Voltage-Variable Frequency) Traction Elevator Hoist Motors

Three Phase - Drip-Proof - Rigid Base with Encoder

HP	SYN RPM	No. of Poles	Frame	▼ Catalog Number	Stock	List Price	Model Number	App. Wgt. (lbs)	HZ	Voltage	F. L. Amps	Rated Accel. Torque	♥Notes
20	1200	6	286T	LM28132	C/A	5526	SD6S20T61YET1	390	60	230/460	61/30.5	275%	S, US
	1200	6	286T	LM28133	✓	5526	SD6S20T6006YET1	400	60	200	68	275%	S, US
	1200	4	286T	LM28134	C/A	5375	SD4P20T41ET1	385	40	230/460	52/26	330%	S, US
	1200	4	286T	LM28135	C/A	5375	SD4P20T4006ET1	385	40	200	60	330%	S, US
	900	4	324T	LM28136	C/A	6124	SD4P20T31ET1	480	30	230/460	54/27	275%	S, US
	900	4	324T	LM28137	C/A	6124	SD4P20T3006ET1	471	30	200	62.1	275%	S, US
25	1800	4	284T	LM30720	C/A	4754	SD4P25T61ET1	350	60	230/460	64/32	250%	S, US
	1800	4	284T	LM30721	C/A	4754	SD4P25T62ET1	350	60	200	73.5	250%	S, US
	1200	6	324T	LM28138	C/A	6684	SD6S25T61YET1	505	60	230/460	64/32	250%	S, US
	1200	6	324T	LM28139	C/A	6684	SD6P25T6006ET1	505	60	200	73.6	250%	S, US
	1200	4	324T	LM28140	C/A	6124	SD4P25T41ET1	472	40	230/460	65/32.5	275%	S, US
	1200	4	324T	LM28141	C/A	6124	SD4P25T4006ET1	472	40	200	74.8	275%	S, US
	900	4	326T	LM28142	C/A	6956	SD4P25T31ET1	538	30	230/460	64/32	275%	S, US
	900	4	326T	LM28143	C/A	6956	SD4P25T3006YET1	525	30	200	73.6	275%	S, US
30	1800	4	286T	LM30722	C/A	5526	SD4P30T61ET1	400	60	230/460	72/36	250%	S, US
	1800	4	286T	LM30723	C/A	5526	SD4P30T62ET1	400	60	200	83	250%	S, US
	1200	6	326T	LM27976	C/A	7459	SD6S30T61YET1	535	60	230/460	76/38	225%	S, US
	1200	6	326T	LM28144	C/A	7459	SD6S30T6006YET1	552	60	200	87.4	225%	S, US
	1200	4	326T	LM28145	C/A	6827	SD4P30T41ET1	516	40	230/460	74/37	275%	S, US
	1200	4	326T	LM28146	C/A	6827	SD4P30T4006ET1	516	40	200	85	275%	S, US
	900	4	364T	LM28147	C/A	8356	SD4P30T31ET1	575	30	230/460	74/37	275%	S, US
	900	4	364T	LM28148	C/A	8356	SD4P30T3006ET1	575	30	200	85	275%	S, US
40	1800	4	324T	LM30724	C/A	6327	SD4P40T61ET1	470	60	230/460	98/49	250%	S, US
	1800	4	324T	LM30725	C/A	6327	SD4P40T62ET1	470	60	200	113	250%	S, US
	1200	6	364T	LM28149	✓	9429	SD6S40T61YET1	755	60	230/460	98/49	250%	S, US
	1200	6	364T	LM28150	C/A	9429	SD6S40T6006YET1	755	60	200	113	250%	S, US
	1200	4	364T	LM28151	C/A	8356	SD4P40T41ET1	715	40	230/460	96/48	275%	S, US
	1200	4	364T	LM28152	C/A	8356	SD4P40T4006ET1	715	40	200	111	275%	S, US
	900	4	365T	LM28153	C/A	9309	SD4P40T31ET1	783	30	230/460	97/48.5	275%	S, US
	900	4	365T	LM28154	C/A	9309	SD4P40T3006ET1	783	30	200	112	275%	S, US
50	1800	4	326T	LM30647	C/A	7059	SD4P50T61ET1	522	60	230/460	121/60.5	250%	S, US
	1800	4	326T	LM30648	C/A	7059	SD4P50T6006ET1	522	60	200	139	250%	S, US
	1200	6	365T	LM28155	C/A	9686	SD6S50T61YET1	800	60	230/460	129/64.5	275%	S, US
	1200	6	365T	LM28156	C/A	9686	SD6S50T6006YET1	800	60	200	148	275%	S, US
	1200	4	365T	LM28157	C/A	9309	SD4P50T41ET1	765	40	230/460	120/60	275%	S, US
	1200	4	365T	LM28158	C/A	9309	SD4P50T4006ET1	765	40	200	138	275%	S, US
	900	4	405T	LM28159	C/A	12374	SD4P50T31ET1	964	30	230/460	118/59	275%	S, US
	900	4	405T	LM28160	C/A	12374	SD4S50T3006YET1	964	30	200	136	275%	S, US
60	1800	4	364T	LM30649	C/A	8691	SD4P60T61ET1	715	60	230/460	140/70	—	S, US
	1800	4	364T	LM30650	C/A	8691	SD4P60T6006ET1	715	60	200	161	—	S, US
	1200	6	404T	LM28161	✓	10954	SD6P60T61YET1	888	60	230/460	167/83.5	250%	S, US
	1200	6	404T	LM28162	C/A	10954	SD6P60T6006YET1	888	60	200	192	250%	S, US
	1200	4	404T	LM28163	C/A	10517	SD4P60T41ET1	870	40	230/460	136/68	—	S, US
	1200	4	404T	LM28164	C/A	10517	SD4P60T4006ET1	870	40	200	157	—	S, US
	900	4	444T	LM28165	C/A	14971	SD4P60T31ET1	1277	30	230/460	140/70	275%	S, US
	900	4	444T	LM28166	C/A	14971	SD4P60T3006ET1	1277	30	200	161	275%	S, US
75	1800	4	365T	LM30651	C/A	9686	SD4P75T61ET1	765	60	230/460	45.5/91	—	S, US
	1800	4	365T	LM30652	C/A	9686	SD4P75T6006ET1	765	60	200	209	—	S, US
	1200	6	405T	LM28167	C/A	12900	SD6P75T61YET1	943	60	230/460	178/89	250%	S, US
	1200	6	405T	LM28168	C/A	12900	SD6P75T6006YET1	943	60	200	205	250%	S, US
	1200	4	405T	LM28169	C/A	12374	SD4P75T41ET1	960	40	230/460	170/85	—	S, US
	1200	4	405T	LM28170	C/A	12374	SD4P75T4006ET1	960	40	200	196	—	S, US

▼ LM Numbers are Lincoln Models

♥ Note listing on inside back flap

C/A - Check Availability

Specifications are subject to change without notice

[View On-line Technical Information](#)



Automotive Duty Motors

Pump Motors

Washguard Motors

Agricultural Motors

HVAC / Fan Motors

Special Voltage Motors

Definite Purpose Motors

Brake Motors

IEC Motors

Definite Purpose Motors

VVVF (Variable Voltage-Variable Frequency) Traction Elevator Hoist Motors

Three Phase - Drip-Proof - C Face Less Base - with Encoder - F1 Conduit Box

HP	SYN RPM	No. of Poles	Frame	▼ Catalog Number	Stock	List Price	Model Number	App. Wgt. (lbs)	HZ	Voltage	F. L. Amps	Rated Accel. Torque	♥ Notes
7 1/2	1200	6	254T	LM28200	✓	3665	SD6P7.5TCN61ET1	150	60	230/460	24/12	225%	S, US
	1200	6	254T	LM28201	✓	3665	SD6P7.5TCN6006ET1	150	60	200	28	225%	S, US
	1200	4	254T	LM30655	C/A	3595	SD4P7.5TCN41ET1	145	40	230/460	19/9.5	275%	S, US
	1200	4	254T	LM30663	C/A	3595	SD4P7.5TCN4006ET1	145	40	200	22	275%	S, US
	900	4	256T	LM28202	C/A	3981	SD4P7.5TCN31ET1	225	30	230/460	19.6/9.8	275%	S, US
	900	4	256T	LM28203	C/A	3981	SD4P7.5TCN3006ET1	225	30	200	23	275%	S, US
10	1200	6	256T	LM28204	✓	4061	SSD6P10TCN61ET1	202	60	230/460	24/12	250%	S, US
	1200	6	256T	LM28205	✓	4061	SD6P10TCN6006ET1	202	60	200	28	250%	S, US
	1200	4	256T	LM30732	C/A	3981	SD4P10TCN41ET1	230	40	230/460	19/9.5	275%	S, US
	1200	4	256T	LM30733	C/A	3981	SD4P10TCN4006ET1	230	40	200	22	275%	S, US
	900	4	284T	LM28206	C/A	4772	SD4P10TCN31ET1	355	30	230/460	19.6/9.8	330%	S, US
	900	4	284T	LM28207	C/A	4772	SD4P10TCN3006ET1	355	30	200	23	330%	S, US
12 1/2	1200	6	284T	LM30734	✓	4538	SD4P12.5TCN61ET1	305	60	230/460	42/21	300%	S, US
	1200	6	284T	LM30735	✓	4538	SD4P12.5TCN6006ET1	305	60	200	48.5	300%	S, US
	900	4	284T	LM30736	C/A	5164	SD4P12.5TCN3006ET1	355	30	230/460	34/17	300%	S, US
	900	4	284T	LM30737	C/A	5164	SD4P12.5TCN3006ET1	355	30	200	38.5	300%	S, US
15	1800	4	256T	LM30748	C/A	4061	SD4P15TCN61ET1	220	60	230/460	—	—	S, US
	1800	4	256T	LM30749	C/A	4061	SD4P15TCN6006ET1	220	60	200	—	—	S, US
	1200	6	284T	LM28208	✓	4936	SD6P15TCN61ET1	330	60	230/460	49/24.5	300%	S, US
	1200	6	284T	LM28209	✓	4936	SD6S15TCN6006YET1	330	60	200	56.5	300%	S, US
	1200	4	284T	LM30750	C/A	4772	SD4P15TCN41ET1	355	40	230/460	40/20	330%	S, US
	1200	4	284T	LM30751	C/A	4772	SD4P15TCN4006ET1	355	40	200	46	330%	S, US
20	900	4	286T	LM28210	C/A	5557	SD4P15TCN31ET1	388	30	230/460	40/20	300%	S, US
	900	4	286T	LM28211	C/A	5557	SD4S15TCN3006ET1	388	30	200	46	300%	S, US
	1800	4	256T	LM30752	C/A	4461	SD4P20TCN61ET1	249	60	230/460	—	—	S, US
	1800	4	256T	LM30753	C/A	4461	SD4P20TCN6006ET1	249	60	200	—	—	S, US
	1200	6	286T	LM28212	C/A	5924	SD6S20TCN61YET1	379	60	230/460	61/30.5	275%	S, US
	1200	6	286T	LM28213	✓	5924	SD6S20TCN6006YET1	379	60	200	68	275%	S, US
25	1200	4	286T	LM30739	C/A	5557	SD4P20TCN41ET1	396	40	230/460	52/26	330%	S, US
	1200	4	286T	LM30740	C/A	5557	SD4P20TCN6006ET1	396	40	200	60	330%	S, US
	900	4	324T	LM28214	C/A	6426	SD4P20TCN31ET1	480	30	230/460	54/27	275%	S, US
	900	4	324T	LM28215	C/A	6426	SD4S20TCN3006YET1	480	30	200	62.1	275%	S, US
	1800	4	284T	LM31607	C/A	5006	SD4P25TCN61ET1	355	60	230/460	64/32	250%	S, US
	1800	4	284T	LM30760	C/A	5006	SD4P25TCN6006ET1	355	60	200	73.5	250%	S, US
25	1200	6	324T	LM28216	C/A	7194	SD6S25TC61YET1	499	60	230/460	64/32	250%	S, US
	1200	6	324T	LM28217	C/A	7194	SD6P25TCN6006ET1	499	60	200	73.6	250%	S, US
	1200	4	324T	LM30754	C/A	6426	SD4P25TCN41ET1	480	40	230/460	65/32.5	275%	S, US
	1200	4	324T	LM30755	C/A	6426	SD4P25TCN4006ET1	480	40	200	74.8	275%	S, US
	900	4	326T	LM28218	C/A	7735	SD4P25TCN31ET1	533	30	230/460	64/32	275%	S, US
	900	4	326T	LM28219	C/A	7735	SD4P25TCN3006ET1	533	30	200	73.6	275%	S, US

▼ LM Numbers are Lincoln Models

♥ Note listing on inside back flap

C/A - Check Availability

Continued On Next Page

Specifications are subject to change without notice



View On-line Technical Information



VVVF (Variable Voltage-Variable Frequency) Traction Elevator Hoist Motors

Three Phase - Drip-Proof - C Face Less Base - with Encoder - F1 Conduit Box

HP	SYN RPM	No. of Poles	Frame	▼ Catalog Number	Stock	List Price	Model Number	App. Wgt. (lbs)	HZ	Voltage	F. L. Amps	Rated Accel. Torque	♥Notes
30	1800	4	286T	LM30702	C/A	5708	SD4S30TCN61YET1	397	60	230/460	72/36	250%	S, US
			286T	LM30762	C/A	5708	SD4P30TCN6006ET1	397	60	200	83	250%	S, US
	1200	6	326T	LM27971	✓	7988	SD6S30TCN61YET1	537	60	230/460	76/38	225%	S, US
			326T	LM28220	✓	7988	SD6S30TCN6006YET1	557	60	200	87.4	225%	S, US
	1200	4	326T	LM30756	C/A	7129	SD4P30TCN41ET1	532	40	230/460	74/37	275%	S, US
	1200	4	326T	LM30757	C/A	7129	SD4P30TCN4006ET1	532	40	200	85	275%	S, US
	900	4	364T	LM28221	C/A	8844	SD4P30TCN31ET1	720	30	230/460	74/37	275%	S, US
			364T	LM28222	C/A	8844	SD4P30TCN3006ET1	720	30	200	85	275%	S, US
	40	1800	4	324T	LM30763	C/A	6631	SD4P40TCN61ET1	480	60	230/460	98/49	250%
324T				LM30764	C/A	6631	SD4P40TCN6006ET1	480	60	200	113	250%	S, US
1200		6	364T	LM28223	✓	9698	SD6P40TCN61ET1	724	60	230/460	98/49	250%	S, US
			364T	LM28224	C/A	9698	SD6P40TCN6006ET1	724	60	200	113	250%	S, US
1200		4	364T	LM30758	C/A	8844	SD4P40TCN41ET1	715	40	230/460	96/48	275%	S, US
1200		4	364T	LM30765	C/A	8844	SD4P40TCN4006ET1	715	40	200	111	275%	S, US
900		4	365T	LM28225	C/A	9980	SD4P40TCN31ET1	775	30	230/460	97/48.5	275%	S, US
			365T	LM28226	C/A	9980	SD4P40TCN3006ET1	775	30	200	112	275%	S, US
50		1800	4	326T	LM30746	C/A	7363	SD4P50TCN61ET1	532	60	230/460	121/60.5	250%
	326T			LM30747	C/A	7363	SD4P50TCN6006ET1	532	60	200	139	250%	S, US
	1200	6	365T	LM28227	C/A	10174	SD6P50TCN61ET1	775	60	230/460	129/64.5	275%	S, US
			365T	LM28228	C/A	10174	SD6P50TCN6006ET1	775	60	200	148	275%	S, US

▼ LM Numbers are Lincoln Models

♥ Note listing on inside back flap

C/A - Check Availability

Specifications are subject to change without notice

Encoder Pigtail Kits for VVVF Elevator Duty Motors

Applications:

Encoder pigtail kits are used to extend the length of the existing encoder leads.

▼ Kit Number	Stock	Description	List Price
LM30561		30 ft. encoder cable kit	738
LM31752		40 ft. encoder cable kit	738
LM30881		50 ft. encoder cable kit	872

▼ LM Numbers are Lincoln Models

Specifications are subject to change without notice

View On-line Technical Information



Automotive Duty Motors

Pump Motors

Washguard Motors

Agricultural Motors

HVAC / Fan Motors

Special Voltage Motors

Definite Purpose Motors

Brake Motors

IEC Motors

Definite Purpose Motors

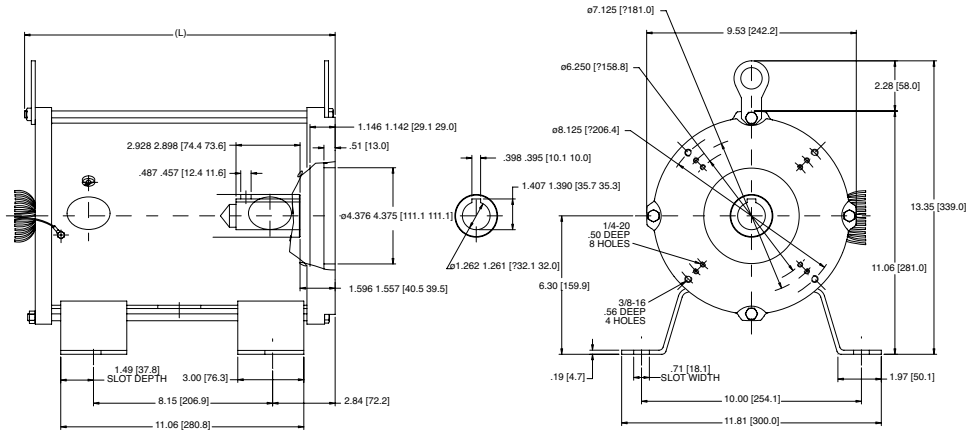
Submersible Hydraulic Elevator Pump Motors

Applications:

These motors are designed to meet the demands in the Hydraulic Elevator Pump Industry. Our Submersible Hydraulic pump elevator motors are ready to be placed in elevator systems for applications in hydraulic pump passenger, service, freight and low-rise elevators. Rated up to 6 floors at speeds up to 200 fpm.

Features:

- Intermittent duty
- Suitable for Wye-Delta starters
- 1.0 service factor and 70°C ambient rated
- Three bolt circles, 12 mounting holes, and face mounting to accept both the IMO and Allweiler pumps
- 10 foot long leads, spliced 40 inches from motor to prevent wicking of hydraulic fluid
- Thermostat leads are marked P1 and P2
- Class F insulation
- Two stainless steel nameplates, one shipped separate for remote mount
- UL recognized component listing and CSA approved



Continued On Next Page

Automotive
Duty Motors

Pump
Motors

Washguard
Motors

Agricultural
Duty Motors

HVAC / Fan
Motors

Special Voltage
Motors

Definite
Purpose Motors

Brake Motors

IEC Motors

Definite Purpose Motors

Submersible Hydraulic Elevator Pump Motors

Three Phase - Open Submersible - Rigid Base

HP	SYN RPM	Frame	▼ Catalog Number	Stock	List Price	Model Number	App. Wgt. (lbs)	BTU/HR Motor Losses	KVA Code	F. L. Amps	Locked Rotor Amps	F.L. Eff.	App. Wgt. (lbs)	♥ Notes
15	3600	160Z	LM29656	✓	1058	SD2S15Z6006YEH3	110	14736	H	53	268	72.2	110	S, CN
	3600	160Z	LM29657	✓	1058	SD2S15Z61YEH3	110	14736	H	46/23	250/125	72.2	110	S, CN
	3600	160Z	LM29658	✓	1058	SD2S15Z65YEH3	110	14736	H	18.4	100	72.2	110	S, CN
20	3600	160Z	LM29659	✓	1085	SD2S20Z6006YEH3	112	11792	G	64.4	363	76.4	112	S, CN
	3600	160Z	LM29660	✓	1085	SD2S20Z61YEH3	112	11792	G	56/28	316/158	76.4	112	S, CN
	3600	160Z	LM29661	✓	1085	SD2S20Z65YEH3	112	11792	G	22.4	126	76.4	112	S, CN
25	3600	160Z	LM29662	✓	1181	SD2S25Z6006YEH3	115	10148	G	77.1	268	79	115	S, CN
	3600	160Z	LM29663	✓	1181	SD2S25Z61YEH3	115	10148	G	67/33.5	250/125	79	115	S, CN
	3600	160Z	LM29664	✓	1181	SD2S25Z65YEH3	115	10148	G	26.8	100	79	115	S, CN
30	3600	160Z	LM29665	✓	1317	SD2S30Z6006YEH3	119	9603	G	92	268	79.9	119	S, CN
	3600	160Z	LM29666	✓	1317	SD2S30Z61YEH3	119	9603	G	80/40	250/125	79.9	119	S, CN
	3600	160Z	LM29667	✓	1317	SD2S30Z65YEH3	119	9603	G	32	100	79.9	119	S, CN
40	3600	160Z	LM29668	✓	1688	SD2S40Z6006YEH3	132	7271	G	115	268	84	132	S, CN
	3600	160Z	LM29669	✓	1688	SD2S40Z61YEH3	132	7271	G	100/50	250/125	84	132	S, CN
	3600	160Z	LM29670	✓	1688	SD2S40Z65YEH3	132	7271	G	40	100	84	132	S, CN
50	3600	160Z	LM29671	✓	1925	SD2S50Z6006YEH3	143	7271	H	140	268	84	143	S, CN
	3600	160Z	LM29672	✓	1925	SD2S50Z61YEH3	143	7271	H	122/61	250/125	84	143	S, CN
	3600	160Z	LM29673	✓	1925	SD2S50Z65YEH3	143	7271	H	48.8	100	84	143	S, CN

▼ LM Numbers are Lincoln Models

♥ Note listing on inside back flap

Specifications are subject to change without notice

Conversion Kit

L32 Kit Information:

Used to adapt the Lincoln Submersible Elevator motors to some IMO and Alweiler Pumps.

Kit includes needed through-bolts to mount this kit to these motors

L32 Bracket Conversion Kit

▼ Catalog Number	Desc. Sym	App. Wgt. (lbs)	List Price
LM31777	A	12	566

▼ LM Numbers are Lincoln Models

Specifications are subject to change without notice

View On-line Technical Information



Automotive Duty Motors

Pump Motors

Washguard Motors

Agricultural Motors

HVAC / Fan Motors

Special Voltage Motors

Definite Purpose Motors

Brake Motors

IEC Motors

Definite Purpose Motors

Unit Handling Motors

Applications:

Unit and baggage handling, conveyors, packaging equipment machine tools, elevators and door openers where a conduit box at 12:00 position is needed due to mounting size restrictions

Features:

- Low profile conduit box at the 12:00 position
- Base includes both 56H and 143-5T mounting holes and slots



Single Phase - TEFC - Rigid C Face

HP	RPM	Frame	Catalog Number	Stock	List Price	Model Number	App. Wgt. (lbs)	Voltage	F. L. Amps 230V	Service Factor	"C" Dim. (Inches)	♥Notes
1/2	1800	56C	117701.00	✓	505	C6C17FK92	22	115/208-230	4.4	1.15	12.48	S, US
3/4	1800	56C	117702.00	✓	550	C6C17FK94	26	115/208-230	5.4	1.15	12.98	S, US
1	1800	56C	117703.00	✓	596	C6C17FK93	30	115/208-230	6.4	1.15	12.98	S, US

Specifications are subject to change without notice

♥ Note listing on inside back flap

Single Phase - TEFC - C Face Less Base

HP	RPM	Frame	Catalog Number	Stock	List Price	Model Number	App. Wgt. (lbs)	Voltage	F. L. Amps 230V	Service Factor	"C" Dim. (Inches)	♥Notes
1/2	1800	56C	117704.00	✓	485	C6C17FC175	21	115/208-230	4.4	1.15	10.98	S, US
3/4	1800	56C	117705.00	✓	530	C6C17FC176	25	115/208-230	5.4	1.15	11.48	S, US
1	1800	56C	117706.00	✓	570	C6C17FC177	29	115/208-230	6.4	1.15	11.48	S, US

Specifications are subject to change without notice

♥ Note listing on inside back flap

Three Phase - TEFC - Rigid C Face

HP	RPM	Frame	Catalog Number	Stock	List Price	Model Number	App. Wgt. (lbs)	Voltage	F. L. Amps 230V	% F.L. Eff.	Service Factor	"C" Dim. (Inches)	♥Notes
1/2	1800	56C	117707.00	✓	419	C6T17FK99	21	208-230/460	2.0	74.0	1.15	12.48	S, US
3/4	1800	56C	117708.00	✓	443	C6T17FK100	22	208-230/460	2.8	77.0	1.15	12.48	S, US
1	1800	56C	117709.00	✓	475	C6T17FK101	30	208-230/460	3.6	77.0	1.15	12.48	S, US
1	1800	143TC	121982.00	✓	693	C143T17FK23	32	208-230/460	3.4	85.5	1.15	12.92	S, US
1.5	1800	56C	117710.00	✓	517	C6T17FK102	30	208-230/460	5.0	78.5	1.15	12.48	S, US
1.5	1800	143TC	121983.00	✓	732	C143T17FK24	34	208-230/460	5.6	86.5	1.15	13.42	S, US
2	1800	145TC	121984.00	✓	806	C145T17FK65	45	208-230/460	5.8	86.5	1.15	13.92	S, US

Green items are Premium Efficient

♥ Note listing on inside back flap

Specifications are subject to change without notice

Three Phase - TEFC - C Face Less Base

HP	RPM	Frame	Catalog Number	Stock	List Price	Model Number	App. Wgt. (lbs)	Voltage	F. L. Amps 230V	% F.L. Eff.	Service Factor	"C" Dim. (Inches)	♥Notes
1/2	1800	56C	117711.00	✓	410	C6T17FC226	20	208-230/460	2.0	74.0	1.15	10.48	S, US
3/4	1800	56C	117712.00	✓	438	C6T17FC227	22	208-230/460	2.8	77.0	1.15	10.48	S, US
1	1800	56C	117713.00	✓	469	C6T17FC228	24	208-230/460	3.8	77.0	1.15	10.98	S, US
1	1800	143TC	121985.00	✓	579	C143T17FC36	36	208-230/460	3.1	82.5	1.15	11.92	S, US
1.5	1800	56C	117714.00	✓	511	C6T34FC107	29	208-230/460	4.2	78.5	1.15	11.48	S, US
1.5	1800	143TC	121986.00	✓	604	C145T17FC114	41	208-230/460	4.4	84.0	1.15	12.92	S, US
2	1800	145TC	121987.00	✓	621	C145T17FC115	44	208-230/460	5.6	84.0	1.15	13.42	S, US

Specifications are subject to change without notice

♥ Note listing on inside back flap



View On-line Technical Information

Export Only Motors - Three Phase - EPACT and Standard Efficiency

Specifications:

These motors comply to the EPACT mandates of 1997, but do not comply with EISA mandates of Dec. 2010. They are not intended for use in the USA, and can be used on machinery that is exported out of the USA

Three Phase - TEFC - Rigid Base

HP	RPM @ 60 Hz	NEMA Frame	Catalog Number	Stock	List Price	App. Wgt. (lbs)	Voltage	% F.L. Eff.	♥Notes
1	1725	143T	EXG120014.00	√	490	31	208-230/460	82.50%	S, US
	1725	143T	EXG151696.60	√	526	49	208-230/460	84.00%	C, CN
1 1/2	3450	145T	EXG120086.00	√	541	45	208-230/460	82.50%	S, US
	3450	143T	EXG151698.60	√	581	45	208-230/460	82.50%	C, CN
	1725	145T	EXG120015.00	√	496	36	208-230/460	84.00%	S, US
	1725	145T	EXG151702.60	√	531	53	208-230/460	85.50%	C, CN
2	3450	145T	EXG120088.00	√	622	45	208-230/460	84.00%	S, US
	3450	145T	EXG151704.60	√	667	49	208-230/460	84.00%	C, CN
	1725	145T	EXG120016.00	√	524	46	208-230/460	84.00%	S, US
	1725	145T	EXG151703.60	√	564	56	208-230/460	85.50%	C, CN
3	3450	145T	EXG120185.00	√	712	42	208-230/460	85.50%	S, US
	3450	182T	EXG130099.00	√	763	60	208-230/460	85.50%	S, MX
	3510	182T	EXG151563.60	√	819	93	208-230/460	85.50%	C, CN
	1740	182T	EXG130008.00	√	620	68	208-230/460	87.50%	S, MX
	1750	182T	EXG151320.60	√	799	94	208-230/460	87.50%	C, CN
5	3500	184T	EXG150299.60	√	827	100	208-230/460	87.50%	C, CN
	3450	184T	EXG130101.00	√	878	73	208-230/460	87.50%	S, MX
	1740	184T	EXG130027.00	√	715	80	208-230/460	87.50%	S, MX
	1750	184T	EXG151322.60	√	848	101	208-230/460	87.50%	C, CN
7 1/2	3450	184T	EXG131082.00	√	978	91	208-230/460	88.50%	S, MX
	3450	S213T	EXG130103.00	√	1004	101	208-230/460	88.50%	S, MX
	3510	213T	EXG150158.60	√	1092	150	208-230/460	88.50%	C, CN
	1740	213T	EXG140578.00	√	957	144	208-230/460	89.50%	S, MX
	1750	213T	EXG150157.60	√	985	153	208-230/460	89.50%	C, CN
10	3510	215T	EXG140686.00	√	1287	126	208-230/460	89.50%	S, MX
	3510	215T	EXG150159.60	√	1270	167	208-230/460	89.50%	C, CN
	1740	215T	EXG140489.00	√	1037	167	208-230/460	89.50%	S, MX
	1750	215T	EXG150140.60	√	1109	176	208-230/460	89.50%	C, CN
15	3510	215T	EXG140687.00	√	1615	140	208-230/460	90.20%	S, MX
	3510	215T	EXG151317.60	√	1697	168	208-230/460	90.20%	C, CN
	3525	254T	EXG150062.60	√	1699	260	208-230/460	90.20%	C, CN
	1770	254T	EXG150066.60	√	1749	284	208-230/460	91.00%	C, CN
20	3525	256T	EXG150033.60	√	2310	296	208-230/460	90.20%	C, CN
	1750	256T	EXG150007.60	√	2152	321	208-230/460	91.00%	C, CN
25	3525	256T	EXG151318.60	√	2722	307	208-230/460	91.00%	C, CN
	3550	284TS	EXG150035.60	√	2791	349	208-230/460	91.00%	C, CN
	1770	284T	EXG150011.60	√	2532	370	208-230/460	92.40%	C, CN
30	1770	286T	EXG150015.60	√	3080	428	208-230/460	92.40%	C, CN
40	1780	324T	EXG150019.60	√	3976	528	208-230/460	93.00%	C, CN
50	1780	326T	EXG150023.60	√	4902	561	208-230/460	93.00%	C, CN
60	1780	364T	EXG150027.60	√	7158	687	208-230/460	93.60%	C, CN
75	1780	365T	EXG150031.60	√	8264	723	208-230/460	94.10%	C, CN
100	1780	405T	EXG150087.60	√	11102	1050	208-230/460	94.50%	C, CN
125	1780	444T	EXG151369.60	√	14739	1920	460	94.50%	C, CN
150	1790	445T	EXG151371.60	√	16538	1900	460	95.00%	C, CN
200	1790	447T	EXG150352.60	√	21083	2053	460	95.00%	C, CN
250	1790	449T	EX151516.60	√	25212	2425	460	95.00%	C, CN
300	1785	449T	EX151529.60	√	28356	2558	460	95.40%	C, CN
350	1790	449T	EX151530.60	√	29547	2710	460	95.40%	C, CN

Specifications are subject to change without notice

♥ Note listing on inside back flap

View On-line Technical Information



Automotive Duty Motors

Pump Motors

Washguard Motors

Agricultural Motors

HVAC / Fan Motors

Special Voltage Motors

Definite Purpose Motors

Brake Motors

IEC Motors

Definite Purpose Motors

Export Only Motors - Three Phase - EPACT and Standard Efficiency

Three Phase - TEFC - C Face With Base

HP	RPM @ 60 Hz	NEMA Frame	Catalog Number	Stock	List Price	App. Wgt. (lbs.)	Voltage	% F.L. Eff.	♥Notes
1	1740	145TC	EXG121286.00	√	576	35	208-230/460	82.50%	S, US
1 1/2	1725	145TC	EXG121287.00	√	575	37	208-230/460	84.00%	S, US
2	1725	145TC	EXG120276.00	√	602	45	208-230/460	84.00%	S, US
3	1760	182TC	EXG130326.00	√	747	68	208-230/460	87.50%	S, MX
	1750	182TC	EXG151565.60	√	866	94	208-230/460	87.50%	C, CN
5	1760	184TC	EXG130328.00	√	857	81	208-230/460	87.50%	S, MX
	1750	184TC	EXG151566.60	√	950	101	208-230/460	87.50%	C, CN
7 1/2	1740	213TC	EXG140183.00	√	1026	153	208-230/460	89.50%	S, MX
	1760	213TC	EXG150165.60	√	1085	156	208-230/460	89.50%	C, CN
10	1740	215TC	EXG140147.00	√	1201	162	208-230/460	89.50%	S, MX
	1760	215TC	EXG150167.60	√	1277	178	208-230/460	89.50%	C, CN
15	1770	254TC	EXG150102.60	√	1832	268	208-230/460	91.00%	C, CN
20	1770	256TC	EXG150080.60	√	2236	321	208-230/460	91.00%	C, CN
25	1770	284TC	EXG150081.60	√	2883	387	208-230/460	92.40%	C, CN
30	1770	286TC	EXG150082.60	√	3188	433	208-230/460	92.40%	C, CN
40	1780	324TC	EXG150083.60	√	4351	572	208-230/460	93.00%	C, CN
50	1780	326TC	EXG150084.60	√	5043	631	208-230/460	93.00%	C, CN
60	1780	364TC	EXG150085.60	√	7607	699	208-230/460	93.60%	C, CN
75	1780	365TC	EXG150086.60	√	9648	757	208-230/460	94.10%	C, CN
100	1780	405TC	EXG151680.60	√	12068	1100	208-230/460	94.50%	C, CN

C/A - Check Availability

♥ Note listing on inside back flap

Specifications are subject to change without notice

Three Phase - TEFC - C Face Less Base

HP	RPM @ 60 Hz	NEMA Frame	Catalog Number	Stock	List Price	App. Wgt. (lbs.)	Voltage	% F.L. Eff.	♥Notes
1	1725	143TC	EX120024.00	√	476	26	208-230/460	77.00%	S, US
1 1/2	1725	145TC	EX120037.00	√	489	32	208-230/460	80.00%	S, US
2	1725	145TC	EX120038.00	√	524	35	208-230/460	81.50%	S, US
3	1725	145TC	EX121035.00	√	694	44	208-230/460	82.50%	S, US
	1740	182TC	EX131491.00	√	665	52	208-230/460	82.50%	S, MX
5	1725	184TC	EX131492.00	√	762	64	208-230/460	82.50%	S, MX
7 1/2	1740	184TC	EX131606.00	√	979	66	208-230/460	87.00%	S, MX
	1740	213TC	EX151346.60	√	1060	162	208-230/460	87.90%	C, CN
	1750	S213TC	EX131528.00	√	979	102	208-230/460	87.00%	S, MX
10	1740	215TC	EX140109.00	√	1173	141	208-230/460	89.50%	S, MX
	1750	215TC	EX151348.60	√	1249	185	208-230/460	88.40%	C, CN
15	1760	254TC	EX151350.60	√	1773	284	208-230/460	90.00%	C, CN
20	1760	256TC	EX151352.60	√	2236	270	208-230/460	91.20%	C, CN
25	1760	284TC	EX151507.60	√	2817	390	208-230/460	91.30%	C, CN
30	1760	286TC	EX151508.60	√	3386	411	208-230/460	91.50%	C, CN
40	1760	324TC	EX151509.60	√	4332	548	208-230/460	92.10%	C, CN
50	1760	326TC	EX151510.60	√	4998	594	208-230/460	92.40%	C, CN
60	1760	364TC	EX151519.60	√	7511	778	208-230/460	92.70%	C, CN

C/A - Check Availability

♥ Note listing on inside back flap

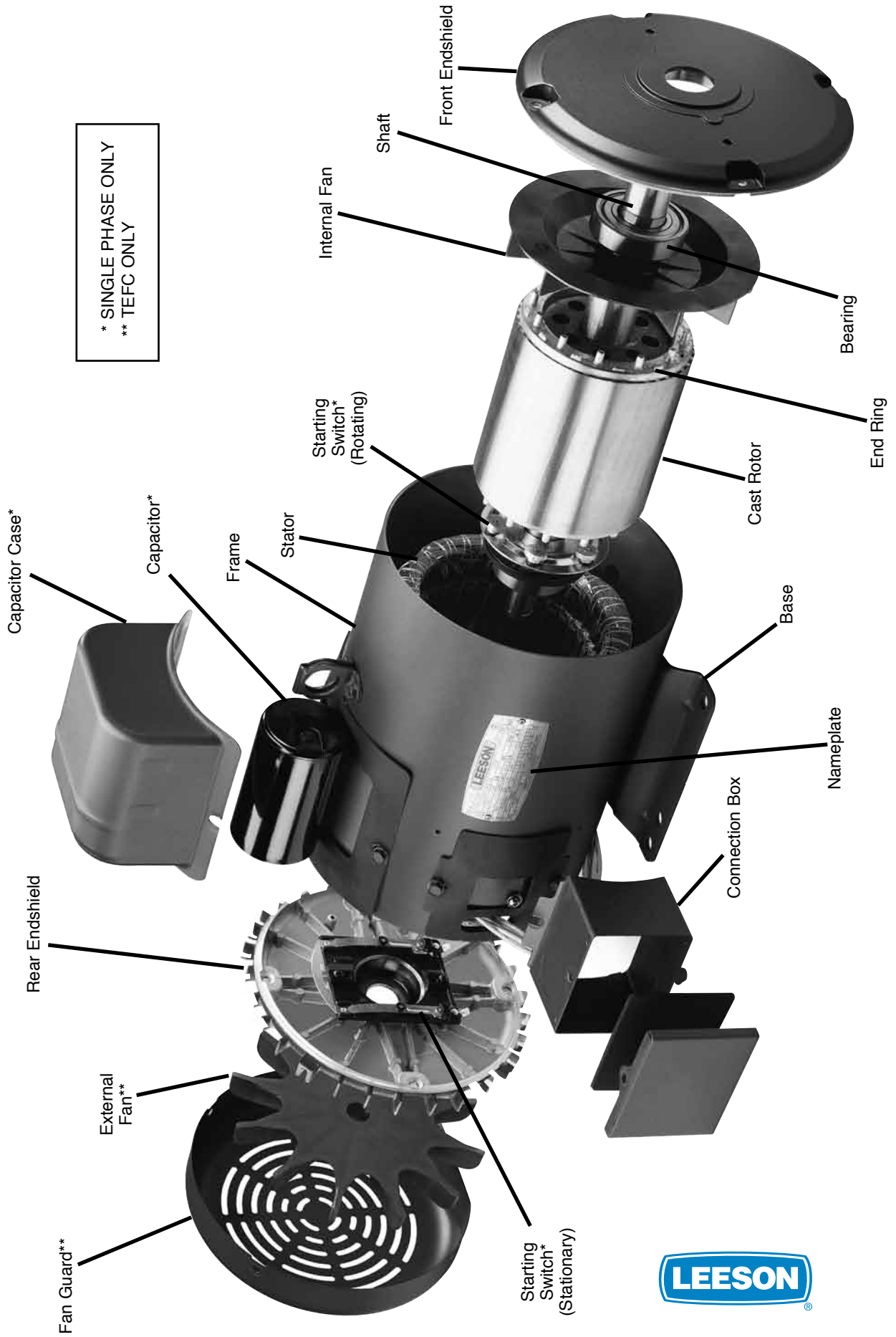
Specifications are subject to change without notice



View On-line Technical Information



Major Components of an Electric Motor



Automotive
Duty Motors

Pump
Motors

Washguard
Motors

Agricultural
Motors

HVAC / Fan
Motors

Special Voltage
Motors

Definite
Purpose Motors

Brake Motors

IEC Motors



Brakemotors



Features:

- Fail-safe positive stop and holding brakes
- Load stops automatically when power is turned off
- Manual brake release designs
- Dual voltage brake coils
- Single and three phase models
- Washdown duty models
- Brake kits available
- Coupler brake kits available

Applications:

For use where quick response stopping and holding is required in the application, which may include conveyors, hoists, packaging equipment etc...



Automotive
Duty Motors

Pump
Motors

Washguard
Motors

Agricultural
Duty Motors

HVAC / Fan
Motors

Special Voltage
Motors

Definite
Purpose Motors

Brakemotors

IEC Motors

Single Phase - TENV/TEFC - C Face With Base

HP	SYN RPM 60 Hz	NEMA Frame	Brake Rating (ft-lbs)	Catalog Number	Stock	List Price	Model Number	App. Wgt. (lbs)	Voltage	F. L. Amps @ 230 V	Service Factor	"C" Dim. (Inches)	♥Notes
1/3	1800	56C	3	114165.00	✓	974	C6C17NK19	28	115/208-230	2.9	1.15	14.06	S, US, 12
1/2	1800	56C	3	111950.00	✓	1053	C6C17FK20	32	115/208-230	4.4	1.0	15.06	S, US, 13
3/4	1800	56C	6	114167.00	✓	1383	C6C17FK50	38	115/208-230	5.4	1.15	15.56	S, US, 13
1	1800	56C	6	111951.00	✓	1466	C6K17FK21	38	115/208-230	5.3	1.0	16.07	S, US, 13, 53
1 1/2	1800	145TC	10	121815.00	✓	1553	C145K17FK17	40	115/208-230	8.8	1.0	18.23	S, US, 13, 53
2	1800	145TC	10	121816.00	✓	1589	C145K17FK16	40	115/208-230	9.2	1.0	19.23	S, US, 13, 53

Specifications are subject to change without notice

♥ Note listing on inside back flap

Three Phase - Drip-Proof - Rigid Base

HP	SYN RPM 60 Hz	NEMA Frame	Brake Rating (ft-lbs)	Catalog Number	Stock	List Price	Model Number	App. Wgt. (lbs)	Voltage	F. L. Amps @ 230 V	Service Factor	% F.L. Eff.	"C" Dim. (Inches)	♥Notes
1/2	1800	56	3	114162.00	✓	948	C6T17DB46	28	208-230/460	2.0	1.25	74.0	13.56	S, US
3/4	1800	56	6	114163.00	✓	1106	C6T17DB47	29	208-230/460	2.8	1.25	77.0	14.06	S, US
1	1800	56	6	114164.00	✓	1205	C6T17DB48	32	208-230/460	4.2	1.15	78.5	14.06	S, US
1 1/2	1800	145T	10	G120370.00	✓	1382	C145T17DB64	44	208-230/460	4.4	1.15	84.0	16.00	S, US
2	1800	145T	10	G120371.00	✓	1568	C145T17DB65	45	208-230/460	6.0	1.15	84.0	16.00	S, US
3	1800	182T	15	G131626.00	✓	1936	C182T17DB46	65	208-230/460	8.4	1.15	86.5	16.89	S, MX
5	1800	184T	25	G131627.00	✓	2434	C184T17DB63	95	208-230/460	13.2	1.15	87.5	17.89	S, MX
7 1/2	1800	213T	35	G140611.00	✓	2975	C213T17DB7	130	208-230/460	20.0	1.15	88.5	23.01	S, MX
10	1800	215T	50	G140635.00	✓	3767	C215T17DB23	138	208-230/460	28.0	1.15	89.5	25.01	S, MX

35 and 50 Ft-lb brakes - Horizontal mounting only

♥ Note listing on inside back flap

All 180 and 210 frame Rolled Steel motors have Class F Insulation.

Specifications are subject to change without notice



Three Phase - Drip-Proof - C Face Less Base

HP	SYN RPM 60 Hz	NEMA Frame	Brake Rating (ft-lbs)	Catalog Number	Stock	List Price	Model Number	App. Wgt. (lbs)	Voltage	F. L. Amps @ 230 V	Service Factor	% F.L. Eff.	"C" Dim. (Inches)	♥Notes
1/2	1800	56C	3	114156.00	✓	974	C6T17DC53	28	208-230/460	2	1.25	74.0	13.56	S, US
3/4	1800	56C	6	114157.00	✓	1135	C6T17DC55	38	208-230/460	2.8	1.25	77.0	14.06	S, US
1	1800	56C	6	114166.00	✓	1227	C6T17DC54	40	208-230/460	3.4	1.15	78.5	14.06	S, US
	1800	143TC	6	121678.00	✓	1227	C143T17DC14	42	208-230/460	3.4	1.15	78.5	14.50	S, US
1 1/2	1800	145TC	10	120372.00	✓	1427	C145T17DC16	43	208-230/460	5.6	1.15	78.5	15.50	S, US
	1800	56C	10	116766.00	✓	1427	C6T17DC83	43	208-230/460	5.6	1.15	78.5	15.50	S, US
2	1800	145TC	10	120373.00	✓	1608	C145T17DC17	47	208-230/460	6.2	1.15	78.5	16.00	S, US
3	1800	182TC	15	131624.00	✓	2024	C182T17DC21	56	208-230/460	10	1.15	80.0	16.40	S, MX
5	1800	184TC	25	131625.00	✓	2512	C184T17DC18	76	208-230/460	14.2	1.15	84.0	17.35	S, MX

Specifications are subject to change without notice

♥ Note listing on inside back flap

View On-line Technical Information



Automotive Duty Motors

Pump Motors

Washguard Motors

Agricultural Motors

HVAC / Fan Motors

Special Voltage Motors

Definite Purpose Motors

Brakemotors

IEC Motors

Brakemotors

Single Phase & Three Phase



Three Phase - Drip-Proof - C Face With Base

HP	SYN RPM 60 Hz	NEMA Frame	Brake Rating (ft.-lbs)	Catalog Number	Stock	List Price	Model Number	App. Wgt. (lbs)	Voltage	F. L. Amps @ 230 V	Service Factor	% F.L. Eff.	"C" Dim. (Inches)	♥Notes
1/2	1800	56C	3	111326.00	✓	983	C6T17DK7	31	208-230/460	2.0	1.25	74.0	13.56	S, US
3/4	1800	56C	6	111327.00	✓	1151	C6T17DK8	34	208-230/460	2.8	1.25	77.0	14.06	S, US
1	1800	56C	6	111328.00	✓	1243	C6T17DK9	42	208-230/460	4.2	1.15	78.5	14.06	S, US
1 1/2	1800	145TC	10	G121053.00	✓	1430	C145T17DK15	42	208-230/460	4.4	1.15	84.0	16.00	S, US
2	1800	145TC	10	G121054.00	✓	1608	C145T17DK14	51	208-230/460	6.0	1.15	84.0	16.50	S, US
3	1800	182TC	15	G131558.00	✓	2227	C182T17DK14	84	208-230/460	8.4	1.15	86.5	16.90	S, MX
5	1800	184TC	25	G131559.00	✓	2713	C184T17DK21	97	208-230/460	13.2	1.15	87.5	18.35	S, MX
7 1/2	1800	213TC	35	G140610.00	✓	3162	C213T17DK5	115	208-230/460	20.0	1.15	88.5	23.51	S, MX
10	1800	215TC	50	G140638.00	✓	3953	C215T17DK4	125	208-230/460	28.0	1.15	89.5	25.01	S, MX

35 and 50 Ft.-lbs brakes - Horizontal mounting only

♥ Note listing on inside back flap

Specifications are subject to change without notice



Three Phase - TEFC - Rigid Base

HP	SYN RPM 60 Hz	NEMA Frame	Brake Rating (ft.-lbs)	Catalog Number	Stock	List Price	Model Number	App. Wgt. (lbs)	Voltage	F. L. Amps @ 230 V	Service Factor	% F.L. Eff.	"C" Dim. (Inches)	♥Notes
1/3	1800	56	3	114151.00	✓	925	C6T17NB51	28	208-230/460	1.3	1.15	72.0	13.56	S, US, 12
1/2	1800	56	3	114150.00	✓	1008	C6T17NB50	33	208-230/460	1.8	1.15	78.5	14.06	S, US, 12
	1200	56	6	114149.00	✓	1390	C6T11FB16	33	208-230/460	2.4	1.15	70.0	15.56	S, US
3/4	1800	56	6	114147.00	✓	1180	C6T17FB79	34	208-230/460	2.8	1.15	77.0	15.56	S, US
	1200	56	6	114148.00	✓	1459	C6T11FB15	43	208-230/460	3.0	1.15	75.5	16.06	S, US
1	1800	56	6	114146.00	✓	1367	C6T17FB80	37	208-230/460	3.8	1.15	77.0	16.06	S, US
	1800	143T	6	G121679.00	✓	1350	C143T17FB22	40	208-230/460	3.1	1.15	82.5	17.50	S, US
	1200	145T	10	G121050.00	✓	1925	C145T11FB18	45	208-230/460	3.6	1.15	80.0	17.52	S, US
1 1/2	1800	56	10	116767.00	✓	1535	C6T17FB153	44	208-230/460	4.4	1.15	84.0	17.08	S, US
	1800	145T	10	G120329.00	✓	1514	C145T17FB72	44	208-230/460	4.4	1.15	84.0	17.52	S, US
2	1800	145T	10	G120330.00	✓	1550	C145T17FB73	53	208-230/460	5.6	1.15	84.0	18.00	S, US
	1200	184T	15	G131620.00	✓	2587	C184T11FB16	80	208-230/460	7.2	1.15	86.5	20.33	S, MX
3	1800	182T	15	G131613.00	✓	2116	C182T17FB43	78	230/460	8.2	1.15	87.5	18.83	S, MX
	1200	213T	35	G140601.00	✓	3839	C213T11FB2	147	208-230/460	12.0	1.15	87.5	26.49	S, MX
5	1800	184T	25	G131614.00	✓	2624	C184T17FB52	102	230/460	13.0	1.15	87.5	20.78	S, MX
7 1/2	1800	213T	35	G140603.00	✓	3377	C213T17FB11	162	208-230/460	20.4	1.15	89.5	26.49	S, MX
10	1800	215T	50	G140636.00	✓	3874	C215T17FB25	174	208-230/460	26.0	1.15	89.5	27.99	S, MX

35 and 50 Ft.-lbs brakes - Horizontal mounting only

♥ Note listing on inside back flap

Specifications are subject to change without notice



View On-line Technical Information



Automotive Duty Motors
 Pump Motors
 Washguard Motors
 Agricultural Motors
 HVAC / Fan Motors
 Special Voltage Motors
 Definite Purpose Motors
 Brakemotors
 IEC Motors

Three Phase - TEFC - C Face With Base

HP	SYN RPM 60 Hz	NEMA Frame	Brake Rating (ft-lbs)	Catalog Number	Stock	List Price	Model Number	App. Wgt. (lbs)	Voltage	F. L. Amps @ 230 V	Service Factor	% F.L. Eff.	"C" Dim. (Inches)	♥Notes
1/3	1800	56C	3	110669.00	✓	929	C6T17NK1	30	208-230/460	1.3	1.15	72.0	13.56	S, US
1/2	1800	56C	3	110670.00	✓	1044	C6T17NK2	34	208-230/460	1.8	1.15	78.5	14.06	S, US
		56C	3	114154.00	✓	1044	C6T17FK49	34	208-230/460	2.4	1.15	74.0	15.06	S, US
	1200	56C	3	114152.00	✓	1502	C6T11FK5	34	208-230/460	2.4	1.15	70.0	15.56	S, US
		56C	6	110671.00	✓	1222	C6T17NK3	34	208-230/460	2.5	1.15	80.0	14.56	S, US
3/4	1800	56C	6	114155.00	✓	1222	C6T17FK48	46	208-230/460	2.8	1.0	77.0	15.56	S, US
		56C	6	110679.00	✓	1438	C6T17FK1	32	208-230/460	3.6	1.15	77.0	15.56	S, US
1	1800	143TC	6	G121557.00	✓	1416	C143T17FK16	43	208-230/460	3.1	1.15	82.5	17.50	S, US
		145TC	10	G121051.00	✓	1586	C145T17FK41	45	230/460	4.4	1.15	84.0	17.50	S, US
1 1/2	1800	145TC	10	G121052.00	✓	1633	C145T17FK42	59	208-230/460	5.6	1.15	84.0	18.00	S, US
		182TC	15	G131617.00	✓	2218	C182T17FK17	79	230/460	8.2	1.15	87.5	18.83	S, MX
5	1800	184TC	25	G131618.00	✓	2771	C184T17FK19	117	230/460	13.0	1.15	87.5	20.78	S, MX
		213TC	35	G140605.00	✓	3537	C213T17FK10	163	208-230/460	20.4	1.15	89.5	26.49	S, MX
10	1800	215TC	50	G140639.00	✓	4541	C215T17FK6	175	208-230/460	26.0	1.15	89.5	27.99	S, MX

35 and 50 Ft-lbs brakes - Horizontal mounting only
 Specifications are subject to change without notice

♥ Note listing on inside back flap



Three Phase - TEFC - C Face Less Base

HP	SYN RPM 60 Hz	NEMA Frame	Brake Rating (ft-lbs)	Catalog Number	Stock	List Price	Model Number	App. Wgt. (lbs)	Voltage	F. L. Amps @ 230 V	Service Factor	% F.L. Eff.	"C" Dim. (Inches)	♥Notes
1/3	1800	56C	3	114158.00	✓	944	C6T17NC194	26	208-230/460	1.3	1.15	72.0	13.56	S, US, 12
1/2	1800	56C	3	114159.00	✓	1028	C6T17FC111	26	208-230/460	2.0	1.15	74.0	15.06	S, US
3/4	1800	56C	6	114160.00	✓	1206	C6T17FC112	34	208-230/460	2.8	1.15	77.0	15.06	S, US
1	1800	56C	6	114161.00	✓	1392	C6T17FC110	31	208-230/460	3.6	1.15	77.0	15.56	S, US
		143TC	6	121556.00	✓	1392	C143T17FC30	37	208-230/460	3.8	1.15	77.0	17.00	S, US
1 1/2	1800	56C	10	116768.00	✓	1561	C6T17FC212	40	208-230/460	5.0	1.15	78.5	16.56	S, US
		145TC	10	120331.00	✓	1561	C145T17FC11	40	208-230/460	5.0	1.15	78.5	17.00	S, US
2	1800	145TC	10	120332.00	✓	1602	C145T17FC12	51	208-230/460	6.0	1.15	84.0	18.00	S, US
		182TC	15	131610.00	✓	2219	C182T17FC28	69	230/460	9.0	1.15	84.0	18.73	S, MX
5	1800	184TC	25	131611.00	✓	2744	C184T17FC34	92	230/460	13.2	1.15	86.0	19.18	S, MX
		S213TC	35	131612.00	✓	3511	C184T17FC36	149	230/460	19.6	1.15	87.0	25.29	S, MX
10	1800	215TC	50	140637.00	✓	4459	C215T17FC8	136	208-230/460	26.0	1.15	89.5	27.99	S, MX

35 and 50 Ft-lbs brakes - Horizontal mounting only
 Specifications are subject to change without notice

♥ Note listing on inside back flap

View On-line Technical Information



Brakemotors

Washguard



Washguard Brakemotors - TENV/TEFC - C Face With Base

HP	SYN RPM 60 Hz	NEMA Frame	Brake Rating (ft-lbs)	Catalog Number	Stock	List Price	Model Number	App. Wgt. (lbs)	Voltage	F. L. Amps @ 230 V	Service Factor	% F.L. Eff.	"C" Dim. (Inches)	♥Notes
1/3	1800	56C	3	116466.00	√	1335	C6T17VK28	40	208-230/460	1.3	72.0	1.15	14.00	S, US, 12
1/2	1800	56C	3	116467.00	√	1361	C6T17VK30	42	208-230/460	1.8	78.5	1.15	14.50	S, US, 12
3/4	1800	56C	6	116468.00	√	1615	C6T17VK29	44	208-230/460	2.5	80.0	1.15	15.00	S, US, 12
1	1800	56C	6	116469.00	√	1669	C6T17VK27	48	208-230/460	3.2	80.0	1.15	15.50	S, US, 12
	1800	143TC	6	121616.00	√	1669	C143T17VK7	49	208-230/460	3.2	80.0	1.15	16.06	S, US, 12
1 1/2	1800	145TC	10	G121617.00	√	2313	C145T17WK22	50	208-230/460	4.4	84.0	1.15	19.01	S, US, 13
2	1800	145TC	10	G121618.00	√	2399	C145T17WK21	62	208-230/460	5.6	84.0	1.15	19.01	S, US, 13

Specifications are subject to change without notice

♥ Note listing on inside back flap

Washguard Brakemotors - TENV/TEFC - C Face Less Base

HP	SYN RPM 60 Hz	NEMA Frame	Brake Rating (ft-lbs)	Catalog Number	Stock	List Price	Model Number	App. Wgt. (lbs)	Voltage	F. L. Amps @ 230 V	Service Factor	% F.L. Eff.	"C" Dim. (Inches)	♥Notes
1/3	1800	56C	3	116462.00	√	1288	C6T17VC43	39	208-230/460	1.3	72.0	1.15	14.00	S, US, 12
1/2	1800	56C	3	116463.00	√	1320	C6T17VC42	41	208-230/460	1.8	78.5	1.15	14.50	S, US, 12
3/4	1800	56C	6	116464.00	√	1571	C6T17VC44	43	208-230/460	2.5	80.0	1.15	15.00	S, US, 12
1	1800	56C	6	116465.00	√	1627	C6T17VC45	45	208-230/460	3.2	80.0	1.15	15.50	S, US, 12
	1800	143TC	6	121613.00	√	1627	C143T17VC8	46	208-230/460	3.2	80.0	1.15	15.56	S, US, 12
1 1/2	1800	145TC	10	121614.00	√	2255	C145T17WC20	49	208-230/460	5.0	78.5	1.15	18.01	S, US, 13
2	1800	145TC	10	121615.00	√	2319	C145T17WC19	61	208-230/460	6.2	81.5	1.15	18.51	S, US, 13

Specifications are subject to change without notice

♥ Note listing on inside back flap

Stainless Steel Brakemotors



Three Phase - TENV/TEFC - C Face With Base

HP	SYN RPM 60 Hz	NEMA Frame	Brake Rating (ft-lbs)	Catalog Number	Stock	List Price	Model Number	App. Wgt. (lbs)	Voltage	F. L. Amps @ 230 V	Service Factor	% F.L. Eff.	"C" Dim. (Inches)	♥Notes
1/2	1800	56C	3	116483.00	√	5035	CZ6T17VK31	59	208-230/460	1.6	78.5	1.15	15.85	S, US, 12
1	1800	56C	6	116484.00	√	5305	CZ6T17VK32	69	208-230/460	3.0	81.5	1.15	15.85	S, US, 12

Specifications are subject to change without notice

♥ Note listing on inside back flap



Automotive
Duty Motors

Pump
Motors

Washguard
Motors

Agricultural
Motors

HVAC / Fan
Motors

Special Voltage
Motors

Definite
Purpose Motors

Brakemotors

IEC Motors

- Kit of components to convert 56 through 256T frame stock TEFC motors to fail-safe brakemotors.
- Kit mounts on fan end of motor. Kits for 56-184T steel frame motors include totally enclosed Stearns AC brake, replacement cast fan cover, shaft extension, fan and hardware. Kits for 213T-256T cast iron frame motors do not include brake, but are designed for Stearns 87,000 series brake.
- Two 1/2" NPT holes with 18" leads are provided for connections. The BRAKEKIT adds 5-1/8" to the overall length of 56 and 143-5T frame, and 5-7/8" to the overall length of 182-184T frame.

Brakekits

Brake Rating (ft-lbs)	Mounts to NEMA Frame	Max. HP @ 1725rpm	Cat. No. 115-208/230 V Brake Coil Voltage	List Price	Cat. No. 208-230/460 V Brake Coil Voltage	List Price	Cat. No. 575 V Brake Coil Voltage	List Price	App. Wt. (lbs.)
3	48/S56	1	---		175615.00◇	678	---		10
	56/143-5T	1	175762.00◇	678	175765.00◇	678	175768.00◇	678	10
6	56/143-5T	2	175763.00◇	780	175766.00◇	780	175769.00◇	780	10
10	56/143-5T	3	175764.00◇	893	175767.00◇	893	175770.00◇	893	10
15	182-4T	3	---		175696.00	1667	175698.00	1667	12
25	182-4T	5	---		175697.00	1889	175699.00	1889	12

56/143-5T frame Brakekits cannot be used on S56 frame motors.

Use the 182-4T frame Brakekits on motors having catalog numbers with a "G" prefix or that are 131454 or higher.

182-4T frame Brakekits can also be used on single-phase 4-pole (1725RPM) motors, but can only be connected for 208-230V. All brake coils are single phase.

— For motors having a "P" for the suffix letter on the date code and having a face mount fan guard.

◇ For 56/145 frame motors having a "B" for the suffix letter for the date code and having a face mount fan guard.

Brake Selection

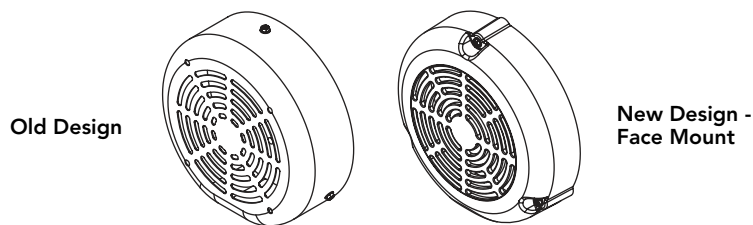
In this table, brake torque ratings are no less than 140% of the motor full load torque. Match HP & frame size of motor with appropriately rated BRAKEKIT.

HP	Brakemotor RPM Torque Rating of Brake (Lb-Ft)		
	3450	1725	1140
1/3	3	3	3
1/2	3	3	3
3/4	3	6	6
1	3	6	6
1 1/2	6	10	10
2	6	10	15
3	10	15	25
5	15	25	35
7.5	25	35	50
10	25	50	75
15	35	75	105
20	50	105	—

Brake Adapter Kits

Brake Rating (ft-lbs)	Mounts to NEMA Frame	Max. HP @ 1725rpm	Catalog Number	List Price	App. Wt. (lbs.)
6-105	213-5T	10	175710.60	308	30
6-105	254-6T	20	175711.60	438	40

- Brake Adapter Kits include adapter casting/fan guard, brake fan, adapter shaft and hardware needed to mount a Stearns® 87,000 series brake (sold separately by Stearns®).
- Shaded frame sizes are for use with cast iron motors.



Brakemotors

Washguard Brakekits™

Kit of components including a Stearns NEMA 4X brake to convert 56 thru 145T frame stock TEFC only motors to fail-safe brakemotors. Food safe white epoxy finish. BISSC Certified. Adds 5 1/8" to the overall length of 56 thru 145T WASHGUARD TEFC motors.



For 230/460V Three Phase and 230V Single Phase Motors

Brake Rating (ft-lbs)	Mounts to NEMA Frame	Max. HP @ 1725rpm	Cat. No. 230/460 V Brake Coil Voltage	List Price	App. Wt. (lbs.)
3	56/143-5T	1	175771.00*	1311	24
6	56/143-5T	2	175772.00*	1382	36
10	56/143-5T	3	175773.00*	1456	43



* For 56/145 frame motors having a "B" for the suffix letter for the date code and having a face mount fan guard.

Specifications are subject to change without notice

Coupler Brakes

Double C Face Coupler Brakes

- A new and expanded line of Coupler Brakes designed for applications where mounting the brake between the motor and driven load is the preferred, or most convenient, location. They are an excellent problem solver for applications where a brake needs to be added to existing equipment – without replacing the motor.
- Rugged cast aluminum or cast iron construction Stearns brakes are well suited to most industrial applications. Coupler brakes are designed to be C-face connected on both ends – these brakes are not suited for overhung loads to be applied to the output shaft.
- A wide range of voltages and brake torque ratings in both NEMA 2 and NEMA 4X enclosures are available from stock. NEMA 2 brakes are best suited for use with standard ODP and TEFC motors. NEMA 4X brakes are designed for use with LEESON WASHGUARD motors.

General Purpose Coupler Brakes

- Mounts directly to the face and shaft of NEMA 56 through 215T-frame C-face motors to create a fail-safe brakemotor.
- The 6 ft.lb. brake mounts to NEMA 56C or 143-5TC motors using an optional adaptor sleeve, which is included with the brake. Output shaft can be either 56C or 143-5TC depending on the location of the provided adaptor sleeve. A 1/2 NPT threaded lead exit hole is provided for power connections.

Brakemotors

General Purpose Coupler Brakes

Stearns®



General Purpose (NEMA 2) Coupler Brakes For Both Single and Three Phase Motors

Brake Rating (ft-lbs)	Max. HP @ 1725 rpm	Motor Voltage 115/208-230V	Motor Voltage 208-230/460V	Motor Voltage 575V	List Price	Mounts to NEMA Frame	Coupler Brake Output Shaft and Face	Add to Motor "C" Dim.	App. Wt. (lbs.)
3	1	175563.00	175564.00	175565.00	670	56C	5/8", 56C	4.91	13
6	2	175569.00	175570.00	175571.00	768	56C/143-5TC	5/8" or 7/8", 56C	4.91	14
10	3	175575.00	175576.00	175577.00	805	143-5TC	7/8", 143-5TC	4.91	15
15	3	—	175581.00	—	919	143-5TC	7/8", 143-5TC	4.91	16
	3	—	175583.00	—	3272	182-4TC	1 1/8", 182-4TC	8.38	58
25	5	—	175585.00	—	3421	182-4TC	1 1/8", 182-4TC	8.38	58
35	7 1/2	—	175587.00	—	3755	213-5TC	1 3/8", 213-5TC	8.88	60
50	10	—	175589.00	—	4156	213-5TC	1 3/8", 213-5TC	8.88	62

Specifications are subject to change without notice

Washguard Coupler Brakes

Solid die-cast Aluminum Stearns NEMA 4X coupler brake converts any TEFC or TENV 56C thru 215TC motor to a fail-safe brakemotor by mounting between the C-face motor and driven equipment. Food safe white epoxy finish. BISSC Certified. Adds 5" to the overall length of 56C thru 145TC WASHGUARD TEFC or TENV motors. Includes all mounting components.



Washguard (NEMA 4X) Coupler Brakes For Both Single and Three Phase Motors

Brake Rating (ft-lbs)	Max. HP @ 1725 rpm	Motor Voltage 115/208-230V	Motor Voltage 208-230/460V	Motor Voltage 575V	List Price	Mounts to NEMA Frame	Coupler Brake Output Shaft and Face	Add to Motor "C" Dim.	App. Wt. (lbs.)
3	1	175566.00	175567.00	175568.00	1179	56C	5/8", 56C	4.94	13
6	2	175572.00	175573.00	175574.00	1269	56C/143-5TC	5/8" or 7/8", 56C	4.94	14
10	3	175578.00	175579.00	175580.00	1343	143-5TC	7/8", 143-5TC	4.94	15
15	3	—	175582.00	—	1562	143-5TC	7/8", 143-5TC	4.94	16
15	3	—	175584.00	—	4230	182-4TC	1 1/8", 182-4TC	8.38	58
25	5	—	175586.00	—	4312	182-4TC	1 1/8", 182-4TC	8.38	58
35	7 1/2	—	175588.00	—	4472	213-5TC	1 3/8", 213-5TC	8.88	60
50	10	—	175590.00	—	4995	213-5TC	1 3/8", 213-5TC	8.88	62

Specifications are subject to change without notice



Automotive
Duty Motors

Pump
Motors

Washguard
Motors

Agricultural
Motors

HVAC / Fan
Motors

Special Voltage
Motors

Definite
Purpose Motors

Brakemotors

IEC Motors

IEC Motors

AC Metric – Three Phase – 230/460 Volt – 575 Volt



These motors meet North American performance standards and Premium energy efficiency mandates, and have 1.15 service factors.

Typically used for replacement on machine tools, textile tools, textile machinery and other equipment with metric dimensions but requiring the high torque and performance of motors designed for use in North America.

Features:

- Aluminum frame and cast iron frame construction
- DC and stainless steel IEC motors available
- 60/50 Hz interchangeability
- B3, B5, B14 mounting flanges
- Flange kits available
- Inverter rated (IRIS™) insulation system on AC models
- 3-year warranty on premium efficiency models
- 1-year warranty on DC and standard efficiency models
- UL listed and CSA certified



AC Metric (IEC) Motors – Three Phase

LEESON's Inverter Rated Insulation System, (IRIS™) provides superior protection against voltage spikes induced by variable frequency drives.



ALUMINUM FRAME

CSA: File number LR33543
UL: File number E57948 for motors produced January 2004 and later

IP55 weatherproof enclosure allows for use in a wide range of applications.

Drain Hole locations in four quadrants can be drilled-out for multi-position condensate drainage.

D flange (B5) and C face (B14) models available. Field conversion kits also offered.

"Captive Shaft" keyway.

Drilled and tapped shaft.

Oil seals on both the drive end and non drive end.

High efficiency design utilizes low-loss steel laminations for optimum power and performance.

Terminal Boards included.
• 230/460V motors have 9 leads.
• 575V motors have 3 leads.
• All terminal boards have 6 posts.

Conduit box with neoprene gaskets. Reposition metric "PG" tapped lead exit hole by rotating box in 90 degree increments. Move box to F1 or F2 position by relocating motor feet.

Special design steel fan cover and low-noise fan maximize airflow efficiency.

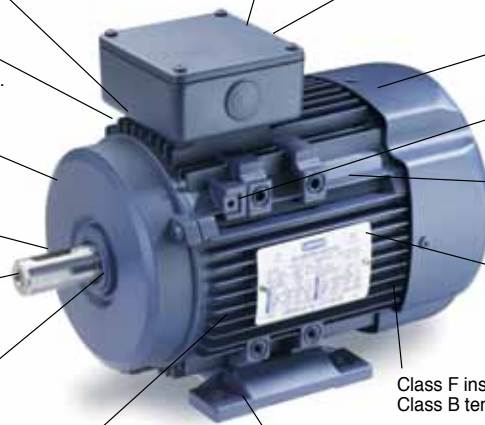
External grounding provision.

Multi-mount repositionable feet allow for three conduit box positions (F2, F1, F3).

Aluminum "full fact" nameplate with information on motor efficiency and power factor. Stamped with 60 Hz and 50 Hz data.

Class F insulation system with Class B temperature rise or lower.

Removable feet.



CAST IRON FRAME

CSA: File number LR62104
UL: File number E57948 for motors produced June 2003 and later

Terminal Boards included.
• 230/460V motors, 132-frame and larger have 12 leads and 9 post terminal boards.
• 230/460V motors, smaller than 132-frame have 9 leads and 6 post terminal boards.
• 575V motors have 3 leads and 6 post terminal boards.

IP55 weatherproof enclosure allows for use in a wide range of applications.

D flange (B5) and C face (B14) models available. Field conversion kits also offered.

Drilled and tapped shaft.

Oil seals on both the drive end and non drive end.

Cast iron mounting feet are precision machined for accurate alignment.

Conduit box with neoprene gaskets. Reposition metric "PG" threaded lead exit by rotating box in 90 degree increments. Motors 132 frame and larger have second lead exit hole for auxiliary box. Box is fixed at F3 location.

Heavy-duty cast iron construction includes frame, endbells and conduit box.

High efficiency design utilizes low-loss steel laminations for optimum power and performance.

Non-sparking fan. Small size reduces noise and enhances efficiency.

Steel fan cover.

Stainless steel "full fact" nameplate with information on motor efficiency and power factor. Stamped with 60 Hz and 50 Hz data.

Class F insulation system with Class B temperature rise or lower.



Automotive Duty Motors

Pump Motors

Washguard Motors

Agricultural Motors

HVAC / Fan Motors

Special Voltage Motors

Definite Purpose Motors

Brakemotors

IEC Motors

IEC Metric Motors

AC Metric (IEC) Motors - B3 Flange - Three Phase - Rigid Base

Three Phase - TEFC - B3 Flange - Rigid Base - IP55

HP/ kW	SYN RPM 60 Hz	NEMA Frame	Catalog Number	Stock	List Price	Model Number	App. Wgt. (lbs)	Voltage	F. L. Amps @ 230 V	% F. L. Eff.	Service Factor	"C" Dim. (Inches)	♥ Notes
1/4-0.18	3600	D63	192010.00	✓	257	C63T34FZ1	10	230/460	0.8	72.0	1.15	8.55	A, CN
	1800	D63	192011.00	✓	267	C63T17FZ1	11	230/460	1.1	68.0	1.15	8.55	A, CN
	1200	D71	192012.00	✓	456	C71T11FZ1	12	230/460	1.2	64.0	1.15	9.16	A, CN
1/3-0.25	3600	D63	192020.00	✓	295	C63T34FZ2	11	230/460	1.1	72.0	1.15	8.55	A, CN
	1800	D71	192021.00	✓	312	C71T17FZ1	13	230/460	1.4	68.0	1.15	9.46	A, CN
	1200	D80	192022.00	✓	487	C80T11FZ1	17	230/460	1.3	70.0	1.15	11.11	A, CN
1/2-0.37	3600	D71	192030.00	✓	321	C71T34FZ1	13	230/460	1.6	74.0	1.15	9.46	A, CN
	1800	D71	192031.00	✓	325	C71T17FZ2	14	230/460	1.8	74.0	1.15	9.46	A, CN
	1200	D80	192032.00	✓	510	C80T11FZ2	19	230/460	1.9	72.0	1.15	11.11	A, CN
3/4-0.55	3600	D71	192040.00	✓	335	C71T34FZ2	15	230/460	2.4	74.0	1.15	9.46	A, CN
	1800	D80	192041.00	✓	353	C80T17FZ1	18	230/460	2.5	74.0	1.15	11.11	A, CN
	1200	D80	192042.00	✓	546	C80T11FZ3	22	230/460	2.7	72.0	1.15	11.11	A, CN
1-0.75	3600	D80	192050.00	✓	379	C80T34FZ1	21	230/460	2.8	75.5	1.15	11.11	A, CN
	1800	D80	192051.00	✓	387	C80T17FZ2	26	230/460	3.2	80.0	1.15	11.11	A, CN
	1200	D90S	192200.00	✓	655	C90T11FZ13	33	230/460	3.3	82.5	1.15	12.61	A, CN
1 1/2-1.1	3600	D80	192060.00	✓	420	C80T34FZ2	27	230/460	4.0	84.0	1.15	11.11	A, CN
	1800	D90S	192202.00	✓	495	C90T17FZ13	37	230/460	4.6	88.5	1.15	12.61	A, CN
	1200	D90S	192208.00	✓	516	C90T34FZ13	33	230/460	5.2	85.5	1.15	12.61	A, CN
2-1.5	3600	D90L	192205.00	✓	533	C90T17FZ16	38	230/460	5.8	87.5	1.15	12.61	A, CN
	1800	DF100L	193300.60	✓	889	C100T11FZ20	82	230/460	6.4	88.5	1.15	14.97	C, CN
	1200	DF100L	193301.60	✓	862	C100T17FZ41	84	230/460	8.2	90.2	1.15	14.97	C, CN
3-2.2	3600	D90L	192209.00	✓	743	C90T34FZ14	39	230/460	7.2	86.5	1.15	12.61	A, CN
	1800	DF100L	193302.60	✓	1250	C112T11FZ21	100	230/460	9.6	89.5	1.15	15.76	C, CN
	1200	DF112M	193303.60	✓	919	C100T34FZ20	71	230/460	10.0	88.5	1.15	14.97	C, CN
4-3	3600	DF100L	193304.60	✓	936	C100T17FZ42	84	230/460	10.4	89.5	1.15	14.97	C, CN
	1800	DF132S	193305.60	✓	1516	C132T11FZ58	154	230/460	13.4	89.5	1.15	18.72	C, CN
	1200	DF112M	193306.60	✓	1181	C112T34FZ24	104	230/460	13.6	89.5	1.15	15.76	C, CN
5 1/2-4	3600	DF112M	193307.60	✓	1138	C112T17FZ21	104	230/460	15.0	89.5	1.15	15.76	C, CN
	1800	DF132M	193308.60	✓	1752	C132T11FZ59	176	230/460	17.6	89.5	1.15	20.29	C, CN
	1200	DF132S	193309.60	✓	1481	C132T34FZ45	152	230/460	18.4	89.5	1.15	18.72	C, CN
7 1/2-5.5	3600	DF132S	193310.60	✓	1481	C132T17FZ43	150	230/460	19.8	92.4	1.15	18.72	C, CN
	1800	DF132M	193311.60	✓	2106	C132T11FZ60	180	230/460	22.0	91.0	1.15	20.29	C, CN
	1200	DF132M	193312.60	✓	1585	C132T34FZ46	163	230/460	24.0	90.2	1.15	18.72	C, CN
10-7.5	3600	DF132M	193313.60	✓	1757	C132T17FZ44	174	230/460	26.2	91.7	1.15	20.29	C, CN
	1800	DF160M	193314.60	✓	2732	C160T11FZ39	251	230/460	27.2	92.1	1.15	23.64	C, CN
	1200	DF160M	193315.60	✓	2567	C160T34FZ59	260	230/460	34.4	91.0	1.15	23.64	C, CN
15-11	3600	DF160M	193316.60	✓	2567	C160T17FZ43	264	230/460	36.6	92.4	1.15	23.64	C, CN
	1800	DF160L	193317.60	✓	3507	C160T11FZ40	330	230/460	38.8	91.7	1.15	25.39	C, CN
	1200	DF160M	193318.60	✓	3011	C160T34FZ60	269	230/460	47.0	91.0	1.15	23.64	C, CN
20-15	3600	DF160L	193319.60	✓	3175	C160T17FZ44	311	230/460	47.6	93.0	1.15	25.41	C, CN
	1800	DF180L	193320.60	✓	4917	C180T11FZ20	385	230/460	51.4	92.4	1.15	27.97	C, CN
	1200	DF160L	193321.60	✓	3666	C160T34FZ61	319	230/460	57.2	91.7	1.15	25.41	C, CN
25-18.5	3600	DF180M	193322.60	✓	4034	C180T17FZ41	381	230/460	59.4	93.6	1.15	26.40	C, CN
	1800	DF200L	193323.60	✓	6168	C200T11FZ39	517	230/460	64.0	93.5	1.15	30.54	C, CN
	1200	DF180M	193324.60	✓	4356	C180T34FZ19	355	230/460	68.8	91.7	1.15	26.40	C, CN
30-22	3600	DF180L	193325.60	✓	4535	C180T17FZ42	427	230/460	71.0	94.1	1.15	27.97	C, CN
	1800	DF200L	193326.60	✓	6987	C200T11FZ40	467	230/460	76.0	93.8	1.15	30.54	C, CN
	1200	DF200L	193327.60	✓	6202	C200T34FZ37	522	230/460	94.0	92.4	1.15	30.54	C, CN
40-30	3600	DF200L	193328.60	✓	6677	C200T17FZ21	531	230/460	94.0	94.1	1.15	30.54	C, CN
	1800	DF225M	193329.60	✓	10495	C225T11FZ21	633	230/460	100.0	94.1	1.15	33.29	C, CN
	1200	DF200L	193330.60	✓	8134	C200T34FZ38	546	230/460	117.0	94.1	1.15	30.54	C, CN
50-37	3600	DF225S	193331.60	✓	9262	C225T17FZ21	632	230/460	118.0	94.5	1.15	32.31	C, CN
	1200	DF250M	193332.60	✓	14712	C250T11FZ19	655	230/460	120.0	94.1	1.15	36.61	C, CN

Green items are Premium Efficient

♥ Note listing on inside back flap

Specifications are subject to change without notice



View On-line Technical Information



AC Metric (IEC) Motors - B3 / B5 Flange - Three Phase - Rigid Base

Three Phase - TEFC - B3 / B5 Flange - Rigid Base - IP55

HP/ kW	SYN RPM 60 Hz	NEMA Frame	Catalog Number	Stock	List Price	Model Number	App. Wgt. (lbs)	Voltage	F. L. Amps @ 230 V	% F. L. Eff.	Service Factor	"C" Dim. (Inches)	♥Notes
1/4-0.18	3600	D63D	192014.00	✓	\$295	C63T34FZ5	10	230/460	0.8	72.0	1.15	8.54	A, CN
	1800	D63D	192015.00	✓	305	C63T17FZ3	11	230/460	1.0	68.0	1.15	8.54	A, CN
	1200	D71D	192016.00	✓	522	C71T11FZ3	12	230/460	1.2	64.0	1.15	9.45	A, CN
1/3-0.25	3600	D63D	192024.00	✓	340	C63T34FZ6	11	230/460	1.1	72.0	1.15	8.54	A, CN
	1800	D71D	192025.00	✓	352	C71T17FZ5	13	230/460	1.4	68.0	1.15	9.45	A, CN
	1200	D80D	192026.00	✓	563	C80T11FZ7	17	230/460	1.3	70.0	1.15	11.10	A, CN
1/2-0.37	3600	D71D	192034.00	✓	351	C71T34FZ5	13	230/460	1.6	74.0	1.15	9.45	A, CN
	1800	D71D	192035.00	✓	362	C71T17FZ6	14	230/460	1.8	74.0	1.15	9.45	A, CN
	1200	D80D	192036.00	✓	583	C80T11FZ8	19	230/460	1.9	72.0	1.15	11.10	A, CN
3/4-0.55	3600	D71D	192044.00	✓	370	C71T34FZ6	15	230/460	2.4	74.0	1.15	9.45	A, CN
	1800	D80D	192045.00	✓	393	C80T17FZ5	18	230/460	2.5	74.0	1.15	11.10	A, CN
	1200	D80D	192046.00	✓	619	C80T11FZ9	22	230/460	2.7	72.0	1.15	11.10	A, CN
1-0.75	3600	D80D	192054.00	✓	408	C80T34FZ5	21	230/460	2.8	75.5	1.15	11.10	A, CN
	1800	D80D	192055.00	✓	427	C80T17FZ6	26	230/460	3.2	80.0	1.15	11.10	A, CN
	1200	D90SD	192201.00	✓	750	C90T11FZ14	35	230/460	3.3	82.5	1.15	12.60	A, CN
1 1/2-1.1	3600	D80D	192064.00	✓	463	C80T34FZ6	30	230/460	4.0	84.0	1.15	11.10	A, CN
	1800	D90SD	192203.00	✓	543	C90T17FZ14	37	230/460	4.6	88.5	1.15	12.60	A, CN
2-1.5	3600	D90SD	192210.00	✓	592	C90T34FZ15	33	230/460	5.2	85.5	1.15	12.60	A, CN
	1800	D90LD	192206.00	✓	609	C90T17FZ17	38	230/460	5.8	87.5	1.15	12.60	A, CN
	1200	DF100LD	193333.60	✓	1022	C100T11FZ21	82	230/460	6.4	88.5	1.15	14.96	C, CN
3-2.2	3600	D90LD	192211.00	✓	838	C90T34FZ16	39	230/460	7.2	87.5	1.15	12.60	A, CN
	1800	DF100LD	193334.60	✓	991	C100T17FZ43	84	230/460	8.2	89.5	1.15	14.96	C, CN
	1200	DF112MD	193335.60	✓	1399	C112T11FZ22	100	230/460	9.6	89.5	1.15	15.75	C, CN
4-3	3600	DF100LD	193336.60	✓	1051	C100T34FZ21	71	230/460	10.0	88.5	1.15	14.96	C, CN
	1800	DF100LD	193337.60	✓	1066	C100T17FZ44	84	230/460	10.4	89.5	1.15	14.96	C, CN
	1200	DF132SD	193338.60	✓	1710	C132T11FZ61	154	230/460	13.4	89.5	1.15	18.70	C, CN
5 1/2-4	3600	DF112MD	193339.60	✓	1323	C112T34FZ25	104	230/460	13.6	88.5	1.15	15.75	C, CN
	1800	DF112MD	193340.60	✓	1281	C112T17FZ22	104	230/460	15.0	89.5	1.15	15.75	C, CN
	1200	DF132MD	193341.60	✓	1949	C132T11FZ62	176	230/460	17.6	89.5	1.15	20.28	C, CN
7 1/2-5.5	3600	DF132SD	193342.60	✓	1671	C132T34FZ47	152	230/460	18.4	89.5	1.15	18.70	C, CN
	1800	DF132SD	193343.60	✓	1671	C132T17FZ45	150	230/460	19.8	91.7	1.15	18.70	C, CN
	1200	DF132MD	193344.60	✓	2305	C132T11FZ63	180	230/460	22.0	91.0	1.15	20.28	C, CN
10-7.5	3600	DF132SD	193345.60	✓	1784	C132T34FZ48	163	230/460	24.0	90.2	1.15	18.70	C, CN
	1800	DF132MD	193346.60	✓	1955	C132T17FZ46	174	230/460	26.2	91.7	1.15	20.28	C, CN
	1200	DF160MD	193347.60	✓	3105	C160T11FZ41	251	230/460	27.2	91.0	1.15	23.62	C, CN
15-11	3600	DF160MD	193348.60	✓	2942	C160T34FZ62	260	230/460	34.4	91.0	1.15	23.62	C, CN
	1800	DF160MD	193349.60	✓	2942	C160T17FZ45	264	230/460	36.6	92.4	1.15	23.62	C, CN
	1200	DF160LD	193350.60	✓	3882	C160T11FZ42	330	230/460	38.8	91.7	1.15	25.39	C, CN
20-15	3600	DF160MD	193351.60	✓	3173	C160T34FZ63	269	230/460	47.0	91.0	1.15	23.62	C, CN
	1800	DF160LD	193352.60	✓	3347	C160L17FZ46	311	230/460	47.6	93.0	1.15	25.39	C, CN
	1200	DF180LD	193353.60	✓	5090	C180T11FZ21	385	230/460	51.4	91.7	1.15	27.95	C, CN
25-18.5	3600	DF160LD	193354.60	✓	3815	C160T34FZ64	319	230/460	57.2	91.7	1.15	25.39	C, CN
	1800	DF180MD	193355.60	✓	4260	C180T17FZ43	381	230/460	59.4	93.6	1.15	26.38	C, CN
30-22	3600	DF180MD	193356.60	✓	4561	C180T34FZ20	355	230/460	68.0	93.0	1.15	26.38	C, CN
	1800	DF180LD	193357.60	✓	4732	C180T17FZ44	427	230/460	71.0	94.1	1.15	27.95	C, CN

Green items are Premium Efficient

♥ Note listing on inside back flap

Note: Aluminum motors have removable feet for round-body applications.

Larger HP B3 Foot-Mounted metric motors on page 266 can be converted to B3/B5 Flange-Mount by installing B5 Flange Kits.

Specifications are subject to change without notice

View On-line Technical Information



Automotive Duty Motors

Pump Motors

Washguard Motors

Agricultural Motors

HVAC / Fan Motors

Special Voltage Motors

Definite Purpose Motors

Brakemotors

IEC Motors

IEC Metric Motors

AC Metric (IEC) Motors - B3 / B14 Flange - Three Phase - Rigid Base

Three Phase - TEFC - B3 / B14 Flange - Rigid Base - IP55

HP/ kW	SYN RPM 60 Hz	NEMA Frame	Catalog Number	Stock	List Price	Model Number	App. Wgt. (lbs)	Voltage	F. L. Amps @ 230 V	% F. L. Eff.	Service Factor	"C" Dim. (Inches)	♥Notes
1/4-0.18	3600	D63C	192017.00	✓	289	C63T34FZ3	10	230/460	0.8	72.0	1.15	8.55	A, CN
	1800	D63C	192018.00	✓	300	C63T17FZ2	11	230/460	1.0	68.0	1.15	8.55	A, CN
	1200	D71C	192019.00	✓	522	C71T11FZ2	12	230/460	1.2	64.0	1.15	9.46	A, CN
1/3-0.25	3600	D63C	192027.00	✓	338	C63T34FZ4	11	230/460	1.1	72.0	1.15	8.55	A, CN
	1800	D71C	192028.00	✓	341	C71T17FZ3	13	230/460	1.4	68.0	1.15	9.46	A, CN
	1200	D80C	192029.00	✓	563	C80T11FZ4	17	230/460	1.3	70.0	1.15	11.11	A, CN
1/2-0.37	3600	D71C	192037.00	✓	342	C71T34FZ3	13	230/460	1.6	74.0	1.15	9.46	A, CN
	1800	D71C	192038.00	✓	356	C71T17FZ4	14	230/460	1.8	74.0	1.15	9.46	A, CN
	1200	D80C	192039.00	✓	583	C80T11FZ5	19	230/460	1.9	72.0	1.15	11.11	A, CN
3/4-0.55	3600	D71C	192047.00	✓	362	C71T34FZ4	15	230/460	2.4	74.0	1.15	9.46	A, CN
	1800	D80C	192048.00	✓	388	C80T17FZ3	18	230/460	2.5	74.0	1.15	11.11	A, CN
	1200	D80C	192049.00	✓	619	C80T11FZ6	22	230/460	2.7	72.0	1.15	11.11	A, CN
1-0.75	3600	D80C	192057.00	✓	397	C80T34FZ3	21	230/460	2.8	75.5	1.15	11.11	A, CN
	1800	D80C	192058.00	✓	416	C80T17FZ4	26	230/460	3.2	80.0	1.15	11.11	A, CN
	1200	D90SC	192212.00	✓	750	C80T11FZ15	35	230/460	3.3	82.5	1.15	12.60	A, CN
1 1/2-1.1	3600	D80C	192067.00	✓	453	C80T34FZ4	27	230/460	4.0	84.0	1.15	11.11	A, CN
	1800	D90SC	192204.00	✓	532	C90T17FZ15	37	230/460	4.6	86.5	1.15	12.61	A, CN
	2-1.5	3600	D90SC	192213.00	✓	579	C90T34FZ17	33	230/460	5.2	85.5	1.15	12.61
2-1.5	1800	D90LC	192207.00	✓	592	C90T17FZ18	38	230/460	5.8	87.5	1.15	12.61	A, CN
	1200	DF100LC	193358.60	✓	1022	C100T11FZ22	82	230/460	6.4	88.5	1.15	14.97	C, CN
	3-2.2	3600	D90LC	192214.00	✓	838	C90T34FZ18	39	230/460	7.2	87.5	1.15	12.61
3-2.2	1800	DF100LC	193359.60	✓	991	C100T17FZ45	84	230/460	8.2	90.2	1.15	14.97	C, CN
	1200	DF112MC	193360.60	✓	1399	C112T11FZ23	84	230/460	9.6	89.5	1.15	15.76	C, CN
	4-3	3600	DF100LC	193361.60	✓	1051	C100T34FZ22	71	230/460	10.0	88.5	1.15	14.97
4-3	1800	DF100LC	193362.60	✓	1066	C100T17FZ46	84	230/460	10.4	89.5	1.15	14.97	C, CN
	1200	DF132SC	193363.60	✓	1710	C132T11FZ64	154	230/460	13.4	89.5	1.15	18.72	C, CN
	5 1/2-4	3600	DF112MC	193364.60	✓	1323	C112T34FZ26	104	230/460	13.6	88.5	1.15	15.76
5 1/2-4	1800	DF112MC	193365.60	✓	1281	C112T17FZ23	104	230/460	15.0	89.5	1.15	15.76	C, CN
	1200	DF132MC	193366.60	✓	1949	C132T11FZ65	176	230/460	17.6	89.5	1.15	20.29	C, CN
	7 1/2-5.5	3600	DF132SC	193367.60	✓	1671	C132T34F249	152	230/460	18.4	89.5	1.15	18.72
7 1/2-5.5	1800	DF132SC	193368.60	✓	1671	C132T17FZ47	150	230/460	19.8	91.7	1.15	18.72	C, CN
	1200	DF132MC	193369.60	✓	2305	C132T11FZ66	180	230/460	22.0	91.0	1.15	20.29	C, CN
	10-7.5	3600	DF132SC	193370.60	✓	1784	C132T34FZ50	163	230/460	24.0	90.2	1.15	18.72
10-7.5	1800	DF132MC	193371.60	✓	1955	C132T17FZ48	174	230/460	26.2	91.7	1.15	20.29	C, CN
	1200	DF160MC	193372.60	✓	3105	C160T11FZ43	251	230/460	27.2	92.1	1.15	23.64	C, CN
	15-11	3600	DF160MC	193373.60	✓	2942	C160T34FZ65	260	230/460	34.4	91.0	1.15	23.64
15-11	1800	DF160MC	193374.60	✓	2942	C160T17FZ47	264	230/460	36.6	92.4	1.15	23.64	C, CN
	1200	DF160LC	193375.60	✓	3882	C160T11FZ44	330	230/460	38.8	91.7	1.15	25.41	C, CN
	20-15	3600	DF160MC	193376.60	✓	3363	C160T34FZ66	269	230/460	47.0	91.0	1.15	23.64
20-15	1800	DF160LC	193377.60	✓	3548	C160T17FZ48	311	230/460	47.6	93.0	1.15	25.41	C, CN
	25-18.5	3600	DF160LC	193378.60	✓	4043	C160T34FZ67	319	230/460	57.2	91.7	1.15	25.41

Green items are Premium Efficient

♥ Note listing on inside back flap

Note: Aluminum motors have removable feet for round-body applications.

Larger HP B3 Foot-Mounted metric motors on page 148 can be converted to B3/B5 Flange-Mount by installing B5 Flange Kits.

Specifications are subject to change without notice



View On-line Technical Information



Three Phase - TEFC - B3 Flange - Rigid Base - IP55

HP/ kW	SYN RPM 60 Hz	NEMA Frame	Catalog Number	Stock	List Price	Model Number	App. Wgt. (lbs)	Voltage	F. L. Amps @ 230 V	% F. L. Eff.	Service Factor	"C" Dim. (Inches)	♥Notes
1/4-0.18	3600	D63	192088.00	√	257	C63T34FZ7	10	575	0.3	72.0	1.15	8.54	A, CN
	1800	D63	192089.00	√	267	C63T17FZ4	11	575	0.4	68.0	1.15	8.54	A, CN
1/3-0.25	3600	D63	192097.00	√	300	C63T34FZ10	11	575	0.4	74.0	1.15	8.54	A, CN
	1800	D71	192098.00	√	312	C71T17FZ7	13	575	0.6	67.0	1.15	9.45	A, CN
1/2-0.37	3600	D71	192106.00	√	321	C71T34FZ7	13	575	0.7	74.0	1.15	9.45	A, CN
	1800	D71	192107.00	√	325	C71T17FZ10	14	575	0.7	74.0	1.15	9.45	A, CN
3/4-0.56	3600	D71	192115.00	√	335	C71T34FZ10	15	575	0.9	74.0	1.15	9.45	A, CN
	1800	D80	192116.00	√	353	C80T17FZ7	18	575	1.0	73.0	1.15	11.10	A, CN
1-0.75	3600	D80	192124.00	√	379	C80T34FZ7	21	575	1.1	75.5	1.15	11.10	A, CN
	1800	D80	192125.00	√	387	C80T17FZ10	26	575	1.4	82.5	1.15	11.10	A, CN
1 1/2-1.1	3600	D80	192133.00	√	420	C80T34FZ10	27	575	1.6	82.5	1.15	11.10	A, CN
	1800	D90S	192230.00	√	430	C90T17FZ19	37	575	1.8	86.5	1.15	13.10	A, CN
2-1.5	3600	D90S	192231.00	√	448	C90T34FZ19	33	575	2.1	86.5	1.15	13.10	A, CN
	1800	D90L	192232.00	√	463	C90T17FZ20	38	575	2.4	85.5	1.15	13.10	A, CN
3-2.2	3600	D90L	192233.00	√	645	C90T34FZ20	39	575	2.9	86.5	1.15	13.10	A, CN
	1800	DF100L	193379.60	√	862	C100T17FZ47	84	575	3.5	89.5	1.15	14.96	C, CN
4-3	3600	DF100L	193380.60	√	919	C100T34FZ23	71	575	4.0	88.5	1.15	14.96	C, CN
	1800	DF100L	193381.60	√	936	C100T17FZ48	84	575	4.2	89.5	1.15	14.96	C, CN
5 1/2-4	3600	DF112M	193382.60	√	1181	C112T34FZ27	104	575	5.0	88.5	1.15	15.75	C, CN
	1800	DF112M	193383.60	√	1138	C112T17FZ24	104	575	5.4	89.5	1.15	15.75	C, CN
7 1/2-5.5	3600	DF132S	193384.60	√	1481	C132T34FZ51	152	575	7.2	89.5	1.15	18.70	C, CN
	1800	DF132S	193385.60	√	1481	C132T17FZ49	150	575	7.9	91.7	1.15	18.70	C, CN
10-7.5	3600	DF132S	193386.60	√	1585	C132T34FZ52	163	575	9.6	90.2	1.15	18.70	C, CN
	1800	DF132M	193387.60	√	1757	C132T17FZ50	174	575	10.5	91.7	1.15	20.28	C, CN
15-11	3600	DF160M	193388.60	√	2567	C160T34FZ68	260	575	13.8	91.0	1.15	23.62	C, CN
	1800	DF160M	193389.60	√	2567	C160T17FZ49	264	575	14.6	92.4	1.15	23.62	C, CN
20-15	3600	DF160M	193390.60	√	3011	C160T34FZ69	269	575	18.8	91.0	1.15	23.62	C, CN
	1800	DF160L	193391.60	√	3175	C160T17FZ50	311	575	19.0	93.0	1.15	25.39	C, CN
25-18.5	3600	DF160L	193392.60	√	3666	C160T34FZ70	319	575	22.9	91.7	1.15	25.39	C, CN
	1800	DF180M	193393.60	√	4034	C180T17FZ45	381	575	23.8	93.6	1.15	26.38	C, CN
30-22	3600	DF180M	193394.60	√	4356	C180T34FZ21	355	575	27.5	91.7	1.15	26.38	C, CN
	1800	DF180L	193395.60	√	4535	C180T17FZ46	427	575	28.4	93.6	1.15	27.95	C, CN
40-30	3600	DF200L	193396.60	√	6202	C200T34FZ39	522	575	38.4	92.4	1.15	30.51	C, CN
	1800	DF200L	193397.60	√	6677	C200T17FZ22	531	575	37.6	94.7	1.15	30.51	C, CN
50-37	3600	DF200L	193398.60	√	8134	C200T34FZ40	546	575	46.8	93.0	1.15	30.51	C, CN
	1800	DF225S	193399.60	√	9262	C225T17FZ22	632	575	47.2	94.5	1.15	33.26	C, CN

Green items are Premium Efficient

♥ Note listing on inside back flap

Specifications are subject to change without notice

View On-line Technical Information



Automotive
Duty Motors

Pump
Motors

Washguard
Motors

Agricultural
Motors

HVAC / Fan
Motors

Special Voltage
Motors

Definite
Purpose Motors

Brakemotors

IEC Motors

IEC Metric Motors

Metric Motor Kits - B5 & B14 Flanges

Specifications:

- Includes parts to convert B3 rigid motors to either a B5 or B14 flange.



Three Phase - TEFC - B3 / B14 Flange - Rigid Base - IP55

RPM	IEC Frame	B5 Flange Kit	Stock	List Price	B14 Flange Kit	Stock	List Price
3600	63	175850.00		69	175851.00		64
1800	63	175850.00		69	175851.00		64
1200	63	175850.00		69	175851.00		64
3600	71	175852.00		82	175853.00		69
1800	71	175852.00		82	175853.00		69
1200	71	175852.00		82	175853.00		69
3600	80	175854.00		90	175855.00		79
1800	80	175854.00		90	175855.00		79
1200	80	175854.00		90	175855.00		79
3600	90	175856.00		93	175857.00		87
1800	90	175856.00		93	175857.00		87
1200	90	175856.00		93	175857.00		87
3600	100	175810.60		133	175817.60		122
1800	100	175810.60		133	175817.60		122
1200	100	175810.60		133	175817.60		122
3600	112	175811.60		142	175818.60		133
3600	112	175827.60Δ		142	175832.60Δ		133
1800	112	175811.60		142	175818.60		133
1800	112	175827.60Δ		142	175832.60Δ		133
1200	112	175810.60		133	175817.60		122
3600	132	175812.60		189	175819.60		179
3600	132	175828.60Δ		189	175833.60Δ		179
1800	132	175812.60		189	175819.60		179
1200	132	175812.60		189	175819.60		179
3600	160	175990.60		356	175991.60		343
3600	160	175829.60Δ		356	175834.60Δ		343
1800	160	175990.60		356	175991.60		343
1200	160	175990.60		356	175991.60		343
3600	180	175890.60		443			
3600	180	175830.60Δ		443			
1800	180	175890.60		443			
1200	180	175890.60		443			
3600	200	175994.60		577			
3600	200	175831.60Δ		577			
1800	200	175994.60		577			
1200	200	175994.60		577			
3600	225	175995.60		738			
1800	225	175995.60		738			
1200	225	175995.60		738			
1200	250	175619.60		738			

Δ For IEC motors built after June 2011

Includes parts to convert a B3 rigid mount motor to either a B5 or B14 Flange

Specifications are subject to change without notice



IEC Metric Motors

Reduced Diameter Metric Flanges

Specifications:

Used to convert a Metric motor to have a reduced B14 flange mount. Example, you can change an 80 frame IEC motor to have a 71 frame B14 flange. Comes complete with necessary hardware and oil seals for easy field mounting



IEC Motor Frame	B14 Flange Frame	Catalog Number	List Price
63	56	175900.00	59
71	63	175901.00	66
80	71	175902.00	76
90	80	175903.00	79

Automotive
Duty Motors

Pump
Motors

Washguard
Motors

Agricultural
Motors

HVAC / Fan
Motors

Special Voltage
Motors

Definite
Purpose Motors

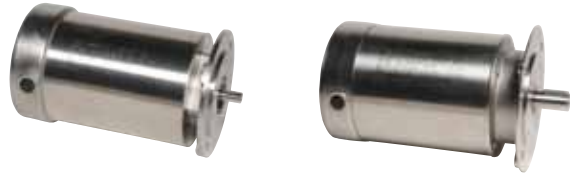
Brakemotors

IEC Motors



IEC Metric Motors

IEC Washguard All-Stainless AC Motors



IEC B5 Flange - Round Body

Three Phase - Totally Enclosed - B5 Flange Less Base

HP/ kW	SYN RPM 60 Hz	NEMA Frame	Catalog Number	Stock	List Price	Model Number	App. Wgt. (lbs)	Voltage	F. L. Amps @ 230 V	% F. L. Eff.	Service Factor	"C" Dim. (Inches)	♥Notes
1/3-0.25	1800	71	103403.00	✓	1331	CZ4T17VZ16	30	208-230/460	1.3	70.5	1.15	9.87	S, US, 12
	1800	80	103405.00	✓	1331	CZ4T17VZ17	30	208-230/460	1.3	70.5	1.15	9.87	S, US, 12
1/2-0.37	1800	71	103404.00	✓	1377	CZ4T17VZ6	32	208-230/460	1.6	76.0	1.15	11.62	S, US, 12
	1800	80	103406.00	✓	1377	CZ4T17VZ7	32	208-230/460	1.6	76.0	1.15	11.62	S, US, 12
3/4-0.55	1800	80	103407.00	✓	1459	CZ4T17WZ9	38	208-230/460	2.3	77.0	1.15	12.26	S, US, 13
1 - 0.75	1800	90	117516.00	✓	1551	CZ6T17WC44	45	208-230/460	3.1	82.5	1.15	13.13	S, US, 13
1.5 - 1.1	1800	90	117517.00	✓	1636	CZ6T17WC46	49	208-230/460	4.4	84.0	1.15	13.63	S, US, 13
2 - 1.5	1800	90	117518.00	✓	1817	CZ6T17WC45	49	208-230/460	5.6	84.0	1.15	13.63	S, US, 13

Specifications are subject to change without notice

♥ Note listing on inside back flap

IEC B14 Flange - Round Body

Three Phase - Totally Enclosed - B14 Flange Less Base

HP/ kW	SYN RPM 60 Hz	NEMA Frame	Catalog Number	Stock	List Price	Model Number	App. Wgt. (lbs)	Voltage	F. L. Amps @ 230 V	% F. L. Eff.	Service Factor	"C" Dim. (Inches)	♥Notes
1/3-0.25	1800	71	103395.00	✓	1331	CZ4T17VZ13	30	208-230/460	1.3	70.5	1.15	9.83	S, US, 12
	1800	80	103397.00	✓	1331	CZ4T17VZ14	30	208-230/460	1.3	70.5	1.15	9.72	S, US, 12
1/2-0.37	1800	71	103396.00	✓	1377	CZ4T17VZ3	32	208-230/460	1.6	76.0	1.15	11.58	S, US, 12
	1800	80	103398.00	✓	1377	CZ4T17VZ4	32	208-230/460	1.6	76.0	1.15	11.582	S, US, 12
3/4-0.55	1800	80	103399.00	✓	1459	CZ4T17WZ7	38	208-230/460	2.3	77.0	1.15	12.48	S, US, 13

Specifications are subject to change without notice

♥ Note listing on inside back flap

IEC B5 Flange - Rigid Base

Three Phase - Totally Enclosed - B5 Flange With Base

HP/ kW	SYN RPM 60 Hz	NEMA Frame	Catalog Number	Stock	List Price	Model Number	App. Wgt. (lbs)	Voltage	F. L. Amps @ 230 V	% F. L. Eff.	Service Factor	"C" Dim. (Inches)	♥Notes
1/3-0.25	1800	80	103408.00	✓	1353	CZ4T17VZ18	30	208-230/460	1.3	70.5	1.15	9.5	S, US, 12
1/2-0.37	1800	80	103409.00	✓	1396	CZ4T17VZ8	32	208-230/460	1.6	76.0	1.15	12.75	S, US, 12
3/4-0.55	1800	80	103410.00	✓	1488	CZ4T17WZ10	38	208-230/460	2.3	77.0	1.15	12.26	S, US, 13

Specifications are subject to change without notice

♥ Note listing on inside back flap

IEC B14 Flange - Rigid Base

Three Phase - Totally Enclosed - B14 Flange With Base

HP/ kW	SYN RPM 60 Hz	NEMA Frame	Catalog Number	Stock	List Price	Model Number	App. Wgt. (lbs)	Voltage	F. L. Amps @ 230 V	% F. L. Eff.	Service Factor	"C" Dim. (Inches)	♥Notes
1/3-0.25	1800	80	103400.00	✓	1377	CZ4T17VZ15	31	208-230/460	1.3	70.5	1.15	9.72	S, US, 12
1/2-0.37	1800	80	103401.00	✓	1521	CZ4T17VZ5	33	208-230/460	1.6	76.0	1.15	11.58	S, US, 12
3/4-0.55	1800	80	103402.00	✓	1575	CZ4T17WZ8	39	208-230/460	2.3	77.0	1.15	12.48	S, US, 13

Specifications are subject to change without notice

♥ Note listing on inside back flap

Metric (IEC) Frame PMDC - Stainless Steel Motors

TEFC - SCR Rated 90 & 180V - C-Face With Base

HP/ kW	SYN RPM 60 Hz	NEMA Frame	Catalog Number	Stock	List Price	Model Number	App. Wgt. (lbs)	Voltage	Control Volts AC Input	% F. L. Eff.	"C" Dim. (Inches)	♥Notes
1/3 - 0.25	1750	80D	109068.00	√	1374	4D17VK27	44	180	230	1.9	12.81	S, US, 12
1/2 - 0.37	1750	80D	109071.00	√	1605	4D17WK11	46	180	230	2.7	13.87	S, US, 13
3/4 - 0.55	1750	80D	109074.00	√	1954	4D17WK15	48	180	230	3.7	15.37	S, US, 13
1 - 0.75	1750	80D	109077.00	√	2267	4D17WK18	50	180	230	5	16.37	S, US, 13

Base is welded to frame and not removable.

♥ Note listing on inside back flap

Specifications are subject to change without notice

90 & 180 Volt - TEFC - C Face Less Base

HP/ kW	SYN RPM 60 Hz	NEMA Frame	Catalog Number	Stock	List Price	Model Number	App. Wgt. (lbs)	Voltage	Control Volts AC Input	% F. L. Eff.	"C" Dim. (Inches)	♥Notes
1/3 - 0.25	1750	80D	109081.00	√	1343	4D17VC8	44	180	230	1.9	12.81	S, US, 12
1/2 - 0.37	1750	80D	109084.00	√	1575	4D17WC4	46	180	230	2.7	13.87	S, US, 13
3/4 - 0.55	1750	80D	109087.00	√	1924	4D17WC7	48	180	230	3.7	15.37	S, US, 13
1 - 0.75	1750	80D	109090.00	√	2238	4D17WC10	50	180	230	5	16.37	S, US, 13

Specifications are subject to change without notice

♥ Note listing on inside back flap

Flange And Face Kits for Stainless Steel DC Metric (IEC) Frame Motors

The modular design concept of LEESON's other metric DC motors has been applied to the all-stainless metric motors. Any flange or face kit can mount on any motor. This allows the greatest flexibility from the smallest inventory of motors.

B5 Flange Kits (For Stainless DC Metric Motors)

IEC Frame	Catalog Number	List Price	App. Wgt. (lbs)	AK Register (mm)	BF Hole (mm)	AJ Bolt Circle (mm)	BD Flange Dia. (mm)
71	175593.00	173	2	110	9	130	160
80	175594.00	208	3	130	12	165	200
90S/90L	175594.00	208	3	130	12	165	200
100L/112M	175595.00	325	5	180	15	215	250

Specifications are subject to change without notice

B14 Flange Kits (For Stainless DC Metric Motors)

IEC Frame	Catalog Number	List Price	App. Wgt. (lbs)	AK Register (mm)	BF Hole (mm)	AJ Bolt Circle (mm)	BD Flange Dia. (mm)
71	175596.00	131	1	70	6	85	105
80	175597.00	131	1	80	6	100	120
90S/90L	175598.00	358	1	95	6	115	140
100L/112M	175599.00	325	2	110	6	130	160

Specifications are subject to change without notice

Automotive
Duty MotorsPump
MotorsWashguard
MotorsAgricultural
MotorsHVAC / Fan
MotorsSpecial Voltage
MotorsDefinite
Purpose Motors

Brakemotors

IEC Motors

IEC Metric Motors

DC Metric Motors

Metric (IEC) Frame - SCR Rated - IP54

Application Notes:

Please note that one or more of the mounting kits must be used with IEC motors of these frame sizes. See listing on next page for B5 flange and B14 face kits. B3 rigid base kits are listed below.

General Specifications:

- Built to IEC 34-1 Electrical and Mechanical standards
- IEC 63 and smaller frames supplied with an integral B5 Flange or B14 face
- Optional B3 Rigid base kit available
- IEC 71 frame and larger can be field modified for B3 Rigid Base, B5 Flange, or B14 face construction using conversion kits
- Tachometer mounting kits available for 71 and 80 frames only

Features:

- Cast aluminum conduit box
- Terminal board provided for connections
- All Metric fasteners
- Easy brush access for field service
- Oversize brushes for extended life
- High strength rolled steel frame
- Die cast aluminum endshields with Steel bearing inserts
- Permanently lubricated sealed ball bearings
- Reversible rotation
- Simple 2 lead connection
- Convenient wiring access
- Tachometer mounting kits available for 71 and 80 frames only



180 Volts - Totally Enclosed - B5 Flange

kW/HP	Full Load RPM	NEMA Frame	Catalog Number	Stock	List Price	Model Number	App. Wgt. (lbs)	Arm. Volts DC	Control Volts AC Input	F. L. Amps DC	"C" Dim. (Inches/mm)	♥Notes
0.06/1/12	1750	56	M1130146.00	C/A	435	CIM34D18ND1	8	180	230	0.5	6.24 (158.6)	S, US, 12
0.09/1/8	3000	56	M1130150.00	√	435	CIM34D30ND1	9	180	230	0.7	6.74 (171.3)	S, US, 12
	1750	56	M1130147.00	√	466	CIM34D18ND2	10	180	230	0.7	7.55 (191.7)	S, US, 12
0.12/1/6	3000	56	M1130151.00	√	450	CIM34D30ND2	9	180	230	0.9	7.55 (191.7)	S, US, 12
	1750	63	M1130148.00	√	533	CIM34D18FD1	7	180	230	0.9	8.30 (210.8)	S, US, 13
0.18/1/4	3000	63	M1130152.00	√	492	CIM34D30ND3	11	180	230	1.3	8.78 (223.1)	S, US, 12
	1750	63	M1130149.00	√	572	CIM34D18FD2	13	180	230	1.3	9.50 (241.3)	S, US, 13
0.25/1/3	3000	63	M1130153.00	√	546	CIM34D30FD1	11	180	230	1.7	9.50 (241.3)	S, US, 13

These motors have accommodations for B3 base mountings with the kits below.

♥ Note listing on inside back flap

C/A - Check Availability

Specifications are subject to change without notice



View On-line Technical Information

IEC Metric Motors

DC Metric Motors

Metric (IEC) Frame - SCR Rated - IP54



180 volts - Totally Enclosed - B14 Flange

kW/HP	Full Load RPM	NEMA Frame	Catalog Number	Stock	List Price	Model Number	App. Wgt. (lbs)	Arm. Volts DC	Control Volts AC Input	F. L. Amps DC	"C" Dim. (Inches/mm)	♥Notes
0.06/1/12	3000	56	M1110024.00	✓	388	980.542	6	180	230	0.4	6.34 (177.0)	S, US, 12
	1750	56	M1130136.00	✓	435	CIM34D18NC5	8	180	230	0.5	6.24 (158.6)	S, US, 12
0.09/1/8	3000	56	M1130140.00	✓	435	CIM34D30NC1	9	180	230	0.7	6.74 (171.3)	S, US, 12
	1750	56	M1130137.00	C/A	466	CIM34D18NC6	14	180	230	0.7	7.55 (191.7)	S, US, 12
0.12/1/6	3000	56	M1130141.00	✓	450	CIM34D30NC2	10	180	230	0.9	7.55 (191.7)	S, US, 12
	1750	63	M1130138.00	✓	533	CIM34D18FC1	8	180	230	0.9	8.30 (210.8)	S, US, 13
0.18/1/4	3000	63	M1130142.00	✓	492	CIM34D30NC3	10	180	230	1.3	8.78 (223.1)	S, US, 12
	1750	63	M1130139.00	✓	572	CIM34D18FC2	10	180	230	1.3	9.50 (241.3)	S, US, 13
0.25/1/3	3000	63	M1130143.00	✓	546	CIM34D30FC1	10	180	230	1.7	9.50 (241.3)	S, US, 13

Except for M1110024, these motors have accommodations for B3 base mountings with the kits below.

♥ Note listing on inside back flap

C/A - Check Availability

Specifications are subject to change without notice



TEFC - SCR Rated 180 Volts - Round Body

kW/HP	Full Load RPM	NEMA Frame	Catalog Number	Stock	List Price	Model Number	App. Wgt. (lbs)	Arm. Volts DC	Control Volts AC Input	F. L. Amps DC	"C" Dim. (Inches/mm)	♥Notes
0.25/1/3	1750	71	098014.00	✓	569	42D17FT1	23	180	230	1.7	11.28 (286.5)	S, US
0.37/1/2	3000	71	098016.00	✓	608	42D34FT1	21	180	230	2.5	10.78 (273.8)	S, US
	1750	71	098015.00	✓	646	42D17FT2	26	180	230	2.5	11.78 (299.2)	S, US
0.55/3/4	3000	71	098017.00	✓	699	42D34FT2	24	180	230	3.6	11.78 (299.2)	S, US
	1750	80	108369.00	✓	799	4D17FT1	34	180	230	3.5	14.64 (371.9)	S, US
0.75/1	3000	80	108372.00	✓	799	4D34FT1	45	180	230	4.9	14.64 (371.9)	S, US
	1750	80	108370.00	✓	987	4D17FT2	48	180	230	4.6	17.14 (435.4)	S, US
1.1/1/2	3000	80	108373.00	✓	884	4D34FT2	47	180	230	7.1	16.14 (410.0)	S, US
	1750	80	108371.00	✓	1303	4D17FT3	52	180	230	7.0	17.14 (435.4)	S, US
	1750	90L	118007.00	✓	1941	C16D17FT1	64	180	230	7.5	18.97 (481.8)	S, US
1.5/2	3000	90L	118009.00	✓	1941	C16D34FT1	72	180	230	10.0	18.47 (469.1)	S, US
	1750	90L	118008.00	✓	2328	C16D17FT2	84	180	230	9.5	20.47 (519.9)	S, US
2.2/3	3000	90L	118010.00	✓	2328	C16D34FT2	82	180	230	16.0	19.47 (494.5)	S, US
	1750	112M	118014.00	✓	3250	C16D17FK1	90	180	230	14.0	21.79 (553.5)	S, US

IMPORTANT: These round body motors require either a B3 rigid base, B14 face or B5 flange kit. Catalog number 118014 comes complete with IEC 112 B14 face and B3 foot; shaft diameter is 24mm.

♥ Note listing on inside back flap

Specifications are subject to change without notice

View On-line Technical Information



Automotive
Duty Motors

Pump
Motors

Washguard
Motors

Agricultural
Motors

HVAC / Fan
Motors

Special Voltage
Motors

Definite
Purpose Motors

Brakemotors

IEC Motors

IEC Metric Motors

Metric (IEC) Frame - SCR Rated

(For DC Metric Motors Only)

All motors are stocked with provisions to accommodate B3 foot mountings with the packages noted below.

B3 Foot Mounting Kits

IEC Frame	Catalog Number	List Price
56	175142.00	63
63	175143.00	63
71	175144.00	69
80	175145.00	75
80	175784.00†	75
90	175146.00	48

† For endshield mounted brush cover motors

Flange and Face Kits for DC Metric (IEC) Frame Motors

An advantage of LEESON'S modular design concept is the possible use of a different diameter B5 flange or B14 face than is normally assigned to a motor by IEC dimensional standards. This flexibility makes it possible to accommodate a wide variety of gear reducers, pumps and similar close coupled motor mounted loads.

B5 Flange Kits (For DC Metric Motors Only)

IEC Frame	Catalog Number	List Price	App. Wgt. (lbs)	AK Register (mm)	BF Hole (mm)	AJ Bolt Circle (mm)	BD Flange Dia. (mm)
71	175106.00	77	2	110	9	130	160
80	175108.00	77	3	130	12	165	200
90S/90L	175108.00	77	3	130	12	165	200
100L/112M	175137.00	188	5	180	15	215	250

Specifications are subject to change without notice

B14 Face Kits (For DC Metric Motors Only)

IEC Frame	Catalog Number	List Price	App. Wgt. (lbs)	AK Register (mm)	BF Hole (mm)	AJ Bolt Circle (mm)	BD Flange Dia. (mm)
71	175107.00	77	1	70	6	85	105
80	175109.00	77	1	80	6	100	120
90S/90L	175129.00	77	1	95	6	115	140
100L/112M	175130.00	188	2	110	6	130	160

Specifications are subject to change without notice

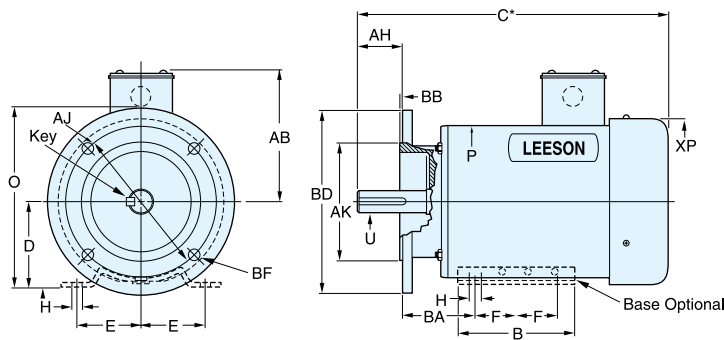
Flange Kits



IEC Metric Motors

DC Metric Motors

Metric (IEC) Frame • SCR Rated



*For overall length, see motor listing.

IEC Frame Dimensions (Millimeters)

IEC Frame	Mounting					Shaft							B14 Face/B5 Flange					General			
	2E	2F	BA	D	H	U	AH [◇]	KEY	S	R	TAP	AJ	AK	BD	BF	BB	AB	XP	B	O	
56	90	71	36	56	6	9	20	15	3	7.0	M3	65	50	80	M5	2.5	83	96	90	99	
												100	80	120	7	2.5					
63	100	80	40	63	7	11	23	19	4	9.0	M4	75	60	90	M5	2.5	116	96	96	108	
												115	95	140	9	3.0					
71	112	90	45	71	7	14	30	26	5	11.5	M5	85	70	105	M6	2.5	114	130	105	132	
												130	110	160	9	3.5					
80	125	100	50	80	10	19	40	33	6	16.0	M6	100	80	120	M6	3.0	124	149	127	151	
												165	130	200	12	3.5					
90S	140	100	56	90	10	24	50	36	8	20.5	M8	115	95	140	M8	3.0	135	182	152	173	
												165	130	200	12	3.5					
90L	140	125	56	90	10	24	50	36	8	20.5	M8	115	95	140	M8	3.0	135	182	152	173	
												165	130	200	12	3.5					
100L	160	140	63	100	12	28	60	41	8	24.5	M10	130	110	160	M8	3.5	135	182	176	173	
												215	180	250	15	4.0					
112M	190	140	70	112	12	28	60	41	8	24.5	M10	130	110	160	M8	3.5	162	231	176	225	
												215	180	250	15	4.0					

◇ Without face or flange AH shaft dimension is 12mm longer.
Specifications are subject to change without notice

Automotive
Duty Motors

Pump
Motors

Washguard
Motors

Agricultural
Motors

HVAC / Fan
Motors

Special Voltage
Motors

Definite
Purpose Motors

Brakemotors

IEC Motors



IEC Metric Motors

DC Metric Motors

Low Voltage - DC Metric - IP 54

General Specifications:

- Built to IEC 34-1 Electrical and Mechanical standards
- IEC 63 and smaller frames supplied with an integral B5 Flange or B14 face
- Optional B3 Rigid base kit available
- IEC 71 frame and larger can be field modified for B3 Rigid Base, B5 Flange, or B14 face construction using conversion kits
- Tachometer mounting kits available for 71 and 80 frames only

Features:

- Cast aluminum conduit box
- Terminal board provided for connections
- All Metric fasteners
- Easy brush access for field service
- Oversize brushes for extended life
- High strength rolled steel frame
- Die cast aluminum endshields with Steel bearing inserts
- Permanently lubricated sealed ball bearings
- Reversible rotation
- Simple 2 lead connection
- Convenient wiring access
- Tachometer mounting kits available for 71 and 80 frames only



24 Volt - TEFC/TENV - Modular Design

kW/HP	Full Load RPM	IEC Frame	Catalog Number	Stock	List Price	Model Number	App. Wgt. (lbs)	Arm. Volts DC	F. L. Amps DC	"C" Dim. (Inches/mm)	♥Notes
0.06/1/12	3000	56	M1110025.00>	√	354	980.543	5	24	3.3	5.34	S, US, 12
	1750	56	M1110026.00>	√	400	980.544	6	24	3.4	6.34	S, US, 12
0.18/1/4	3000	63	M1130206.00"	√	451	CIM34D30FD2	13	24	11.0	7.75	S, US
	3000	63	M1130296.00>	√	451	CIM34D30FC7	9	24	11.0	7.75	S, US
	1750	63	M1130207.00*	√	517	CIM34D18FD6	13	24	10.0	8.75	S, US
	1750	63	M1130297.00>	√	517	CIM34D18FC10	9	24	10.0	8.75	S, US
	1750	71	098065.00	√	619	42D17FT6	19	24	11.0	10.77	S, US
	0.37/1/2	3000	71	098066.00	√	640	42D34FT7	23	24	20.0	11.27
	1750	71	098067.00	√	677	42D17FT7	23	24	20.0	12.27	S, US
	0.75/1	3000	80	108456.00	√	744	4D34FT5	33	24	40.0	14.14
1750		80	108455.00	√	870	4D17FT6	52	24	39.0	14.64	S, US, 57
1.1/1/2	3000	80	108457.00	√	826	4D34FT6	33	24	65.0	15.64	S, US, 57
	1.5/2	3000	80	108458.00	√	950	4D34FT7	43	24	78.0	17.14

IMPORTANT: IEC 71 and 80 frame motors in this chart are round body and require either B14 face, B5 flange or B3 foot from kits shown on page 290.

- > Dedicated B5 Flange
- * Dedicated B14 Face

♥ Note listing on inside back flap

Specifications are subject to change without notice



View On-line Technical Information

IEC Metric Motors

DC Metric Motors

Low Voltage Commercial Duty Metric (IEC) Frame Motors

Features:

- Specially designed low voltage DC for use in OEM applications
- Combination of features and low cost make these ideal for many uses
- IP44(TENV) enclosure
- Dedicated B14 face mount
- Rated S1 for continuous duty
- Zinc plated steel frame construction



12, 24 & 90 Volt - TENV - B14 Mount

HP	Full Load RPM	IEC Frame	Catalog Number	Stock	List Price	Model Number	App. Wgt. (lbs)	Arm. Volts DC	F. L. Amps DC	♥Notes
1/15	3000	56	980.159	C/A	180	980.159	2.3	12	6.4	S, US
	3000	56	980.143	C/A	180	980.143	2.3	24	3.2	S, US
	3000	56	980.549	C/A	173	980.549	2.3	90	0.8	S, US
1/8	3000	56	970.600	√	208	970.600	3.0	12	12.0	S, US
	3000	56	970.601	C/A	208	970.601	3.0	24	5.3	S, US
	3000	56	970.576	C/A	208	970.576	3.0	90	1.2	S, US
1/6	3000	56	970.620	√	226	970.620	3.5	12	13.1	S, US
	3000	56	970.621	C/A	226	970.621	3.5	24	6.8	S, US
	3000	56	970.577	C/A	214	970.577	3.5	90	1.6	S, US

C/A - Check Availability

♥ Note listing on inside back flap

Specifications are subject to change without notice

Automotive
Duty Motors

Pump
Motors

Washguard
Motors

Agricultural
Motors

HVAC / Fan
Motors

Special Voltage
Motors

Definite
Purpose Motors

Brakemotors

IEC Motors

View On-line Technical Information



DC Motors



- NEMA DC, explosion proof, SUB-FHP, washdown, IEC and low voltage motors available
- Permanent magnet designs
- PWM or SCR rated and low voltage input voltage designs
- Removable bolt-on base
- Oversized brushes for long brush life
- Easy access to brushes
- Constant torque throughout speed range
- DC Controls available to change the speed of the motors

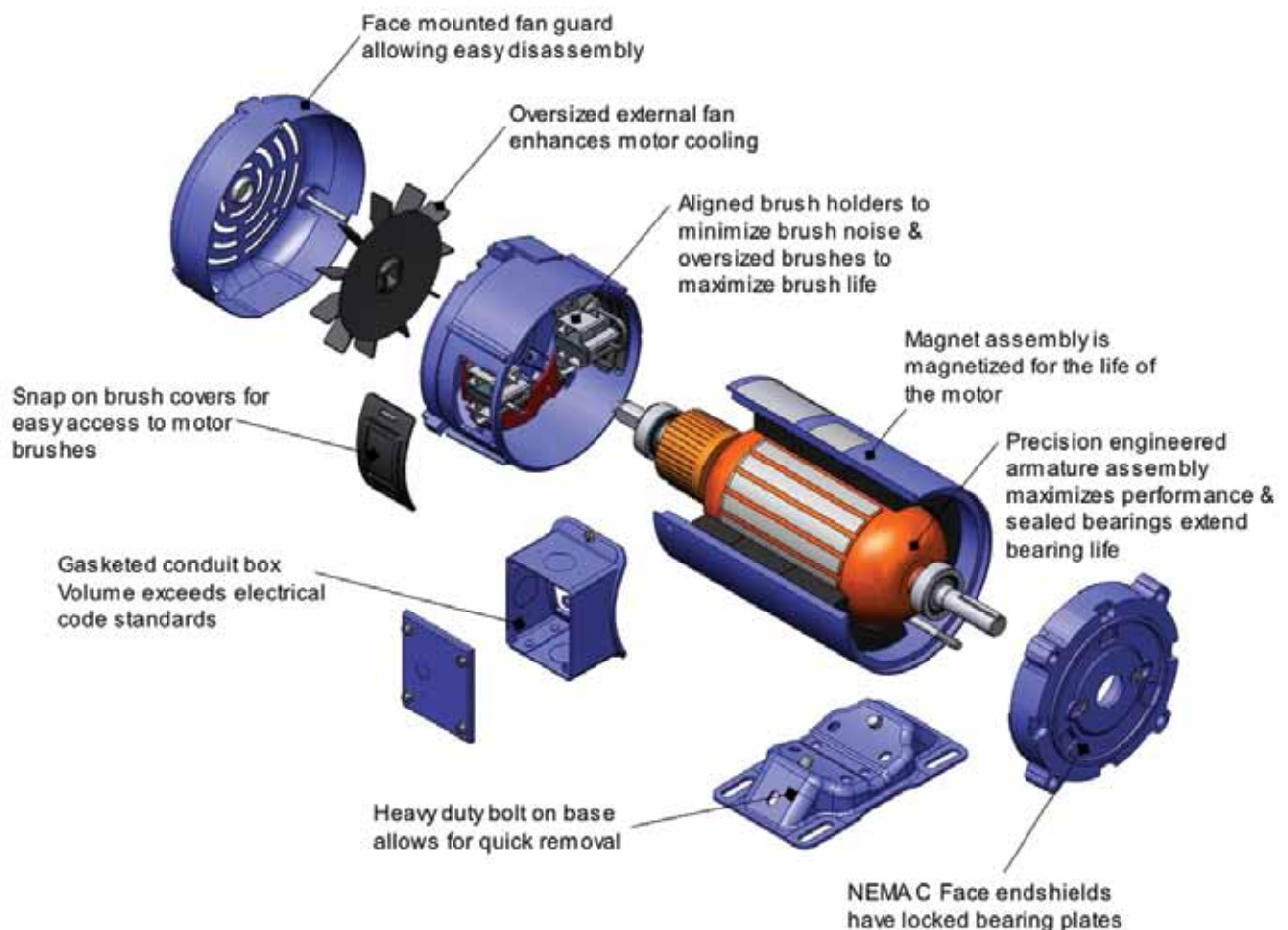
Applications:

DC motors are typically used in applications requiring motor speed adjustment, constant torque throughout the speed range and reversing capabilities. Applications would include: pumps, conveyors, turntables, textile machinery, treadmills, reeling equipment, sports equipment and medical equipment.



Mechanical/ Electrical Features:

- Brush holder design provides easy access to brushes
- Large oversized brushes assure long brush life
- Removable bolt-on base
- NEMA C face designs
- 115 or 230 volt input power ratings – 90 / 180 volt output
- Capable of dynamic braking
- PWM or SCR type controller rated
- High starting torque
- Permanently lubricated sealed bearings
- LEESON SCR controls available to power motors
- High starting torque
- Higher HP and speed achievable using PWM type DC controls
- UL and CSA Listed
- Meets NEMA MG1 standards
- Dynamically balanced armatures
- 30:1 constant torque operation



DC Motors

NEMA Frame - SCR Rated

TEFC - SCR Rated 90 & 180 Volts
NEMA 56C - C Face With Removable Base

HP	Full Load RPM	NEMA Frame	Catalog Number	Stock	List Price	Model Number	App. Wgt. (lbs)	Arm. Volts DC	Control Volts AC Input	F. L. Amps DC	"C" Dim. (Inches)	♥Notes
1/4	1750	SS56C	098002.00	√	609	42D17FK2	19	90	115	2.5	10.81	S, US
	1750	SS56C	098003.00	√	609	42D17FK3	22	180	230	1.4	11.31	S, US
1/3	1750	SS56C	098004.00	√	646	42D17FK4	23	90	115	3.5	11.31	S, US
	1750	SS56C	098005.00	√	646	42D17FK5	23	180	230	1.7	11.31	S, US
	1140	S56C	109098.00	C/A	793	4D11FK5	32	90	115	3.5	12.81	S, US
1/2	2500	SS56C	098006.00	√	646	42D28FK1	22	90	115	5.0	10.81	S, US
	2500	SS56C	098007.00	√	646	42D28FK2	22	180	230	2.5	10.81	S, US
	1750	SS56C	098000.00	√	718	42D17FK1	26	90	115	5.0	11.81	S, US
	1750	S56C	108014.00	√	754	4D17FK1	29	90	115	5.0	12.82	S, US
	1750	SS56C	098008.00	√	718	42D17FK6	25	180	230	2.5	11.81	S, US
	1750	S56C	108015.00	√	754	4D17FK2	30	180	230	2.5	12.82	S, US
	1140	S56C	109099.00	√	832	4D11FK6	40	90	115	5.0	14.32	S, US
	3/4	2500	SS56C	098009.00	√	773	42D28FK3	26	90	115	7.6	11.81
2500		S56C	108016.00	√	814	4D28FK3	29	90	115	7.6	12.82	S, US
2500		SS56C	098010.00	√	773	42D28FK4	25	180	230	3.8	11.81	S, US
2500		S56C	108017.00	√	814	4D28FK4	29	180	230	3.8	12.82	S, US
1750		SS56C	098032.00	√	873	42D17FK7	36	90	115	7.6	13.81	S, US
1750		S56C	108018.00	√	918	4D17FK3	38	90	115	7.6	13.82	S, US
1750		SS56C	098069.00	√	873	42D17FK11	36	180	230	3.8	13.81	S, US
1750		S56C	108019.00	√	918	4D17FK4	35	180	230	3.8	13.82	S, US
1140		S56C	109100.00	C/A	1124	4D11FK7	49	90	115	7.5	15.82	S, US
1		2500	S56C	108020.00	√	873	4D28FK5	34	90	115	10.0	13.32
	2500	S56C	108021.00	√	873	4D28FK6	38	180	230	5.0	13.82	S, US
	1750	S56C	108022.00	√	1068	4D17FK5	47	90	115	10.0	14.82	S, US
	1750	S56C	108023.00	√	1068	4D17FK6	39	180	230	5.0	14.81	S, US
1 1/2	1140	145TC	128023.00	√	2129	C145D11FK1	82	90	115	11.0	18.84	S, US
	2500	S56C	108265.00	√	1293	4D28FK11	43	180	230	7.5	15.32	S, US
	1750	S56C	108092.00	√	1334	4D17FK10	53	180	230	7.6	16.82	S, US
	1750	S56/145TC	108262.00	√	1334	4D17FK19	54	180	230	7.6	17.39	S, US, 55
	1750	145TC	128000.00	√	2026	C145D17FK2	70	180	230	7.5	18.34	S, US
2	2500	S56/145TC	108266.00	√	2026	4D28FK12	51	180	230	8.6	17.89	S, US, 55
	1750	145TC	128010.00	√	2418	C145D17FK3	83	180	230	9.5	19.34	S, US
3	1750	182/145TC	128001.00	√	2418	C182D17FK3	84	180	230	9.5	19.34	S, US, 54
	1750	182/145TC	108502.00	√	3368	182D17FK2	88	180	230	14.0	21.75	S, US, 54

If base is removed, do not reinstall bolts without using washers to compensate for thickness of base.

♥ Note listing on inside back flap

C/A - Check Availability

Specifications are subject to change without notice



View On-line Technical Information



DC Motors

NEMA Frame - SCR Rated



TEFC - SCR Rated 90 & 180 Volts NEMA 56C - C Face Less Base*

HP	Full Load RPM	NEMA Frame	Catalog Number	Stock	List Price	Model Number	App. Wgt. (lbs)	Arm. Volts DC	Control Volts AC Input	F. L. Amps DC	"C" Dim. (Inches)	Notes
1/4	1750	SS56C	098377.00	√	588	42D17FC29	19	90	115	2.5	10.81	S, US
1/3	1750	SS56C	098378.00	√	626	42D17FC30	23	90	115	3.5	11.31	S, US
1/2	1750	SS56C	098379.00	√	698	42D17FC31	29	90	115	5.0	11.81	S, US
3/4	1750	SS56C	098380.00	√	852	42D17FC32	38	90	115	7.6	13.81	S, US
1	1750	S56C	109096.00	√	1045	4D17FC42	47	90	115	10.0	14.82	S, US
	1750	S56C	109097.00	√	1045	4D17FC43	39	180	230	5.0	14.82	S, US

No tapped holes provided for attaching a bolt-on base.

♥ Note listing on inside back flap

Specifications are subject to change without notice

All necessary parts to mount listed tachometers to stock TEFC SCR motors. Consists of machined cast fan cover, coupling and hardware. Does not include tachometer. Tach adapter kit is not suitable for catalog number 108502.

Tachometer Mounting Kits For DC Motors

Tachometer Type	NEMA Frame	IEC Frame	Catalog Number	List Price	App. Wgt. (lbs)
GE 5PY Series	SS56	71	175156.00	275	5
	56/145	—	175158.00	564	5
Servo-tek	SS56	71	175157.00	290	8
SA740 Series	56/145	—	175159.00	644	8



No Kit available for S56C motors

Specifications are subject to change without notice

Motors with S56C or SS56C frame sizes may be converted to 42/48 C face using the following:

Modification Kits

Frame	Catalog Number	List Price
SS56C	175182.00	47
S56C	175082.00*	47
	175802.00†	47

* Addition of base kit will result in non-NEMA BA dimension of 2 3/4". Addition of C face kit will result in conduit box located at 1 o'clock facing lead end.

† For S56 frame endshield mounted brush cover motors

Specifications are subject to change without notice

DC motors in NEMA S56C frame may be converted to 48 base using the following:

Frame	Catalog Number	List Price
S56C	175080.00*	36

* Addition of base kit will result in non-NEMA BA dimension of 2 3/4. Addition of C face kit will result in conduit box located at 1 o'clock facing lead end

† For S56 frame endshield mounted brush cover motors

Specifications are subject to change without notice

View On-line Technical Information



DC Motors

Gearmotors

Ac / DC Controls

Accessories / Kits

Mods / Factory Options

X-Ref / Index

Tech Information

Terms / Warnings

Other Products

DC Motors

Explosion-Proof - SCR Rated

Application Notes:

These motors must be applied in accordance with the National Electrical Code, Article #500. For a listing of explosive agents, consult NFPA Publication 497M.



General Specifications:

- Approved for application in hazardous environments where certain explosive gases or materials are present

Features:

- Rugged mechanical construction
- Meets all safety requirements
- UL and CSA listed
- Leads exit thru 3/4"-14NPT Pipe nipple at top of frame opposite shaft end
- Conduit box optional - see below
- Pilot duty thermostats -standard (connect to SCR control)
- Thermostats rated for continuous duty with full wave SCR(thyristor) controls.
- Double shielded, pre lubricated ball bearings - standard
- Easy brush access for field service

Explosion-Proof - Class I, Groups C & D – Class II, Groups F & G 90 & 180 Volt - TEFC - C- Face With Removable Base

HP	Full Load RPM	NEMA Frame	Catalog Number	Stock	List Price	Model Number	App. Wgt. (lbs)	Arm. Volts DC	Control Volts AC Input	F. L. Amps DC	"C" Dim. (Inches)	♥Notes
1/3	1750	S56C	118015.00	√	2339	C6D17EK1	27	90	115	3.5	13.41	S, US
1/2	1750	S56C	118016.00	√	2641	C6D17EK2	30	90	115	4.7	14.41	S, US
	1750	S56C	118017.00	√	2641	C6D17EK3	32	180	230	2.5	14.41	S, US
3/4	1750	S56C	118018.00	√	3272	C6D17EK4	40	90	115	7.1	16.41	S, US
	1750	S56C	118019.00	√	3272	C6D17EK5	36	180	230	3.3	16.41	S, US

Specifications are subject to change without notice

♥ Note listing on inside back flap

UL and CSA listed for Class I, Group C & D, and Class II, Groups F & G locations. Has grounding screw and all hardware provided. Mounts to motor by 3/4"-14NPT opening at rear of box. For NEMA 56 frame motors only.

Explosion-Proof Conduit Box

Catalog Number	List Price	App. Wgt. (lbs)
175026.00	103	2



Specifications are subject to change without notice



View On-line Technical Information



Nema Frame - Washguard Duty - 90 & 180 Volts

General Specifications:

- Extended life in wet, high humid applications
- Design repels water from entering motor
- Internal components protected against rust and corrosion
- Frame, base, endshields, armature and interior components protected by enamel and polyester compounds of outstanding adhesion and resistance to moisture, acids, alkalis and oil



Features:

- 303 Stainless steel shaft resists corrosion
- Lubricated spring loaded contact seals prevent moisture from entering the motor
- Patented "V" ring forsheda seal deflects water
- Double sealed, Oversize bearings with high temp lubricant
- Exterior and interior components protected against moisture, acids, alkalis and oil
- Cast conduit box for superior sealing includes:
 - Threaded entrance
 - Drain holes
 - Nitrile gaskets
- 304 stainless steel conduit box cover and fan cover
- Re-positionable drain plugs for use in multiple mounting positions
- Nylon seals at bolt heads for superior sealing
- Machined fits throughout
- Stainless steel data plate
- Chemically inert, static free fan with positive mounting insures it wont move
- Stainless steel fan guard
- USDA Approved white epoxy finish

90 & 180 Volts - Totally Enclosed - C Face With Removable Base

HP	Full Load RPM	NEMA Frame	Catalog Number	Stock	List Price	Model Number	App. Wgt. (lbs)	Arm. Volts DC	Control Volts AC Input	F. L. Amps DC	"C" Dim. (Inches)	♥Notes
1/4	1750	S56C	108423.00	√	781	C4D17VK9	23	90	115	2.7	10.69	S, US
	1750	S56C	098375.00	CA	781	C42D17VK1	21	180	230	1.4	10.22	S, US
1/3	1750	S56C	108424.00	√	826	C4D17VK10	26	90	115	3.5	11.69	S, US
	1750	S56C	098376.00	C/A	826	C42D17VK2	22	180	230	1.7	10.22	S, US
1/2	1750	S56C	108226.00	√	926	C4D17VK1	38	90	115	4.9	13.69	S, US
	1750	S56C	108227.00	√	926	C4D17VK2	43	180	230	2.4	13.69	S, US
3/4	1750	S56C	108228.00	√	1124	C4D17VK3	53	90	115	7.0	15.69	S, US
	1750	S56C	108229.00	√	1124	C4D17VK4	50	180	230	3.5	15.69	S, US
1	1750	S56C	108230.00	√	1370	C4D17WK1	45	90	115	10.0	15.81	S, US
	1750	S56C	108231.00	√	1370	C4D17WK2	42	180	230	5.0	14.81	S, US
1 1/2	1750	S56C	108232.00	√	1750	C4D17WK3	50	180	230	7.6	15.81	S, US

C/A - Check Availability

♥ Note listing on inside back flap

Specifications are subject to change without notice

Washguard - IEC Frame - TENV IP55

180 Volts - TENV - B5 Flange With Removable Base

HP/kw	Full Load RPM	NEMA Frame	Catalog Number	Stock	List Price	Model Number	App. Wgt. (lbs)	Arm. Volts DC	Control Volts AC Input	F. L. Amps DC	"C" Dim. (Inches)	♥Notes
1/2 - .37	1750	71	098040.00	C/A	819	42D17VD1	22	180	230	2.5	10.69	S, US
3/4 - .55	1750	80	108407.00	C/A	1110	4D17VD1	52	180	230	3.5	16.02	S, US

If base is removed, do not reinstall bolts without using washers to compensate for the thickness of base. These WASHGUARD motors are modular design but stocked with B5 flange and B3 foot. The foot is removable. The B5 flange can be replaced with a B14 face or other diameter B5 flanges noted on page 290.

♥ Note listing on inside back flap

Specifications are subject to change without notice



DC Motors

Gearmotors

Ac / DC Controls

Accessories / Kits

Mods / Factory Options

X-Ref / Index

Tech Information

Terms / Warnings

Other Products

DC Motors

Sub-FHP - SCR Rated

General Specifications:

Precision subfractional horsepower DC permanent magnet motors designed for use with full wave non-filtered SCR controls for adjustable speed applications requiring dynamic braking and constant torque throughout the speed range.

Features:

- Compact, space saving design
- Ball bearing construction
- Long life brushes
- External access to brushes allows for easy replacement further prolonging motor life
- Conduit box standard on 31 and 34 frame models
- Continuous duty with full wave un-filtered rectified SCR (thyristor) controls
- Linear speed torque characteristics throughout the speed range
- High starting torques
- Reversible rotation



Explosion-Proof - Class I, Groups C & D – Class II, Groups F & G 90 & 180 Volt - TEFC - C- Face With Removable Base

HP	Full Load RPM	NEMA Frame	Catalog Number	Stock	List Price	Model Number	App. Wgt. (lbs)	Arm. Volts DC	Control Volts AC Input	F. L. Amps DC	Notes
1/25	2500	25AS	M1110014.00	✓	272	980.533	3	90	115	0.5	S, US, 12
	1750	25CS	M1110003.00	✓	282	980.535	3	90	115	0.5	S, US, 12
1/15	2500	25CS	M1110015.00	✓	292	980.539	5	90	115	0.7	S, US, 12
	1750	31BS	M1120013.00	✓	303	M31D17NZ1	5	90	115	0.8	S, US, 12
1/10	1750	31BS	M1120039.00	✓	303	M31D17NZ5	7	180	230	0.4	S, US, 12
	2500	31BS	M1120060.00	✓	303	M31D35NZ4	5	90	115	1.3	S, US, 12
1/8	1750	31CS	M1120014.00	✓	358	M31D17NZ2	7	90	115	1.1	S, US, 12
	1750	31CS	M1120041.00	✓	358	M31D17NZ7	7	180	230	0.6	S, US, 12
1/6	2500	31CS	M1120059.00	✓	358	M31D35NZ3	6	90	115	1.5	S, US, 12
	1750	31ES	M1120027.00	✓	387	M31D18NZ10	7	90	115	1.3	S, US, 12
1/4	1750	31ES	M1120045.00	✓	387	M31D17NZ11	7	180	230	0.7	S, US, 12
	1750	34D42CZ	M1130053.00	✓	402	CM34D17NC5	8	90	115	1.4	S, US, 12
1/3	1750	34D42CZ	M1130118.00	✓	402	CM34D17NC8	7	180	230	0.7	S, US, 12
	2500	31ES	M1120058.00	✓	387	M31D35NZ6	9	90	115	1.9	S, US, 12
1/2	1750	31GS	M1120042.00	✓	391	M31D17NZ8	9	90	115	1.8	S, US, 12
	1750	31GS	M1120043.00	✓	391	M31D17NZ9	11	180	230	0.9	S, US, 12
1/1.5	1750	34E56C	M1130054.00	✓	410	CM34D17NC6A	11	90	115	1.7	S, US, 12
	1750	34E56C	M1130119.00	✓	410	CM34D17NC9	11	180	230	0.9	S, US, 12
1/1	2500	31GS	M1120062.00	✓	409	M31D35NZ5	9	90	115	2.6	S, US, 12
	1750	34G56C	M1130055.00	✓	424	CM34D17FC2	13	90	115	2.7	S, US, 13
1/0.75	1750	34G56C	M1130120.00	✓	424	CM34D17FC4	13	180	230	1.3	S, US, 13

B 25 frame motors have provisions for an optional conduit box catalog number M1760000, see page 332.

♥ Note listing on inside back flap

Specifications are subject to change without notice



View On-line Technical Information

Application Notes:

Leeson Washguard motors are designed for extended life in applications requiring regular washdown or otherwise wet environments. Washguard motors retard the entrance of water. Extra protection for the motor's interior prevents rust and corrosion build-up and releases trapped moisture to insure a longer life than possible with a standard motor.

General Specifications:

Precision subfractional horsepower DC permanent magnet motors. Designed for use with fullwave nonfiltered SCR controls or battery supplied low voltage for adjustable speed applications requiring constant torque throughout the speed range.

Features:

- 303 Stainless steel shaft resists corrosion
- Lubricated spring loaded contact seals prevent moisture from entering the motor
- Double sealed, oversize bearings with high temp lubricant
- Exterior and interior components protected against moisture, acids, alkalies and oil
- Cast conduit box for superior sealing includes:
 - Threaded entrance
 - Drain holes
 - Nitrile gaskets
- 304 stainless steel conduit box cover
- Stainless steel hardware
- USDA approved white epoxy finish
- Nylon seals at bolt heads for superior sealing
- O ring sealed brush covers



90 Volt - TENV - Square Flange or C Face

HP	Full Load RPM	NEMA Frame	Catalog Number	Stock	List Price	Model Number	App. Wgt. (lbs)	Arm. Volts DC	Control Volts AC Input	F. L. Amps DC	♥Notes
1/8	1750	31S	M1120181.00	√	485	CM31D17V21	11	90	115	1.5	S, US
1/6	1750	31S	M1120183.00	√	492	CM31D17V23	11	90	115	1.9	S, US
1/4	2500	32F42CZ	M1120185.00	√	535	CM32D25VC1	13	90	115	1.9	S, US

Specifications are subject to change without notice

♥ Note listing on inside back flap

12 Volt - TENV - Square Flange or C Face

HP	Full Load RPM	NEMA Frame	Catalog Number	Stock	List Price	Model Number	App. Wgt. (lbs)	Arm. Volts DC	F. L. Amps DC	♥Notes
1/8	1750	31S	M1120182.00	√	505	CM31D17VZ2	7	12	10.5	S, US
1/6	1750	31S	M1120184.00	√	512	CM31D17VZ4	11	12	14.5	S, US
1/4	2500	32F42CZ	M1120186.00	√	556	CM32D25VC2	13	12	20	S, US

Specifications are subject to change without notice

♥ Note listing on inside back flap



DC Motors

Gearmotors

Ac / DC Controls

Accessories / Kits

Mods / Factory Options

X-Ref / Index

Tech Information

Terms / Warnings

Other Products

DC Motors

METRIC (IEC) Frame - SCR Rated - IP54

Application Notes:

Please note that one or more of the mounting kits must be used with IEC motors of these frame sizes. See listing on next page for B5 flange and B14 face kits. B3 rigid base kits are listed below.

General Specifications:

- Built to IEC 34-1 Electrical and Mechanical standards
- IEC 63 and smaller frames supplied with an integral B5 Flange or B14 face
- Optional B3 Rigid base kit available
- IEC 71 frame and larger can be field modified for B3 Rigid Base, B5 Flange, or B14 face construction using conversion kits
- Tachometer mounting kits available for 71 and 80 frames only

Features:

- Cast aluminum conduit box
- Terminal board provided for connections
- All Metric fasteners
- Easy brush access for field service
- Oversize brushes for extended life
- High strength rolled steel frame
- Die cast aluminum endshields with steel bearing inserts
- Permanently lubricated sealed ball bearings
- Reversible rotation
- Simple 2 lead connection
- Convenient wiring access
- Tachometer mounting kits available for 71 and 80 frames only



180 Volts - Totally Enclosed - B5 Flange

kW/HP	Full Load RPM	NEMA Frame	Catalog Number	Stock	List Price	Model Number	App. Wgt. (lbs)	Arm. Volts DC	Control Volts AC Input	F. L. Amps DC	"C" Dim. (Inches)	♥Notes
0.06/1/12	1750	56	M1130146.00	C/A	435	CIM34D18ND1	8	180	230	0.5	6.24	S, US, 12
0.09/1/8	3000	56	M1130150.00	√	435	CIM34D30ND1	9	180	230	0.7	6.74	S, US, 12
	1750	56	M1130147.00	√	466	CIM34D18ND2	10	180	230	0.7	7.55	S, US, 12
0.12/1/6	3000	56	M1130151.00	√	450	CIM34D30ND2	9	180	230	0.9	7.55	S, US, 12
	1750	63	M1130148.00	√	533	CIM34D18FD1	7	180	230	0.9	8.30	S, US, 13
0.18/1/4	3000	63	M1130152.00	√	492	CIM34D30ND3	11	180	230	1.3	8.78	S, US, 12
	1750	63	M1130149.00	√	572	CIM34D18FD2	13	180	230	1.3	9.50	S, US, 13
0.25/1/3	3000	63	M1130153.00	√	546	CIM34D30FD1	11	180	230	1.7	9.50	S, US, 13

These motors have accommodations for B3 base mountings with the kits below.

♥ Note listing on inside back flap

C/A - Check Availability

Specifications are subject to change without notice

METRIC (IEC) Frame - SCR Rated - IP54



180 volts - Totally Enclosed - B14 Flange

kW/HP	Full Load RPM	NEMA Frame	Catalog Number	Stock	List Price	Model Number	App. Wgt. (lbs)	Arm. Volts DC	Control Volts AC Input	F. L. Amps DC	"C" Dim. (Inches)	♥Notes
0.06/1/12	3000	56	M1110024.00	✓	388	980.542	6	180	230	0.4	6.34	S, US, 12
	1750	56	M1130136.00	✓	435	CIM34D18NC5	8	180	230	0.5	6.24	S, US, 12
0.09/1/8	3000	56	M1130140.00	✓	435	CIM34D30NC1	9	180	230	0.7	6.74	S, US, 12
	1750	56	M1130137.00	C/A	466	CIM34D18NC6	14	180	230	0.7	7.55	S, US, 12
0.12/1/6	3000	56	M1130141.00	✓	450	CIM34D30NC2	10	180	230	0.9	7.55	S, US, 12
	1750	63	M1130138.00	✓	533	CIM34D18FC1	8	180	230	0.9	8.30	S, US, 13
0.18/1/4	3000	63	M1130142.00	✓	492	CIM34D30NC3	10	180	230	1.3	8.78	S, US, 12
	1750	63	M1130139.00	✓	572	CIM34D18FC2	10	180	230	1.3	9.50	S, US, 13
0.25/1/3	3000	63	M1130143.00	✓	546	CIM34D30FC1	10	180	230	1.7	9.50	S, US, 13

Except for M1110024, these motors have accommodations for B3 base mountings with the kits below.

♥ Note listing on inside back flap

C/A - Check Availability

Specifications are subject to change without notice



TEFC - SCR Rated 180 Volts - Round Body

kW/HP	Full Load RPM	NEMA Frame	Catalog Number	Stock	List Price	Model Number	App. Wgt. (lbs)	Arm. Volts DC	Control Volts AC Input	F. L. Amps DC	"C" Dim. (Inches)	♥Notes
0.25/1/3	1750	71	098014.00	✓	569	42D17FT1	23	180	230	1.7	11.28	S, US
0.37/1/2	3000	71	098016.00	✓	608	42D34FT1	21	180	230	2.5	10.78	S, US
	1750	71	098015.00	✓	646	42D17FT2	26	180	230	2.5	11.78	S, US
0.55/3/4	3000	71	098017.00	✓	699	42D34FT2	24	180	230	3.6	11.78	S, US
	1750	80	108369.00	✓	799	4D17FT1	34	180	230	3.5	14.64	S, US
0.75/1	3000	80	108372.00	✓	799	4D34FT1	45	180	230	4.9	14.64	S, US
	1750	80	108370.00	✓	987	4D17FT2	48	180	230	4.6	17.14	S, US
1.1/11/2	3000	80	108373.00	✓	884	4D34FT2	47	180	230	7.1	16.14	S, US
	1750	80	108371.00	✓	1303	4D17FT3	52	180	230	7.0	17.14	S, US
	1750	90L	118007.00	✓	1941	CI6D17FT1	64	180	230	7.5	18.97	S, US
1.5/2	3000	90L	118009.00	✓	1941	CI6D34FT1	72	180	230	10.0	18.47	S, US
	1750	90L	118008.00	✓	2328	CI6D17FT2	84	180	230	9.5	20.47	S, US
2.2/3	3000	90L	118010.00	✓	2328	CI6D34FT2	82	180	230	16.0	19.47	S, US
	1750	112M	118014.00	✓	3250	CI6D17FK1	90	180	230	14.0	21.79	S, US

IMPORTANT: These round body motors require either a B3 rigid base, B14 face or B5 flange kit. Catalog number 118014 comes complete with IEC 112 B14 face and B3 foot; shaft diameter is 24mm.

♥ Note listing on inside back flap

Specifications are subject to change without notice



- DC Motors
- Gearmotors
- Ac / DC Controls
- Accessories / Kits
- Mods / Factory Options
- X-Ref / Index
- Tech Information
- Terms / Warnings
- Other Products

DC Motors

Metric (IEC) Frame - SCR Rated

(For DC Metric Motors Only)

All motors are stocked with provisions to accommodate B3 foot mountings with the packages noted below.

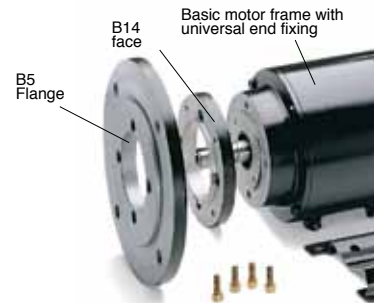
B3 Foot Mounting Kits

IEC Frame	Catalog Number	List Price
56	175142.00	63
63	175143.00	63
71	175144.00	69
80	175145.00	75
80	175784.00†	75
90	175146.00	48

† For endshield mounted brush cover motors

Flange Kits

Flange and face kits for DC Metric (IEC) frame motors
An advantage of LEESON'S modular design concept is the possible use of a different diameter B5 flange or B14 face than is normally assigned to a motor by IEC dimensional standards. This flexibility makes it possible to accommodate a wide variety of gear reducers, pumps and similar close coupled motor mounted loads.



B5 Flange Kits (For DC Metric Motors Only)

IEC Frame	Catalog Number	List Price	App. Wgt. (lbs)	AK Register (mm)	BF Hole (mm)	AJ Bolt Circle (mm)	BD Flange Dia. (mm)
71	175106.00	77	2	110	9	130	160
80	175108.00	77	3	130	12	165	200
90S/90L	175108.00	77	3	130	12	165	200
100L/112M	175137.00	188	5	180	15	215	250

Specifications are subject to change without notice

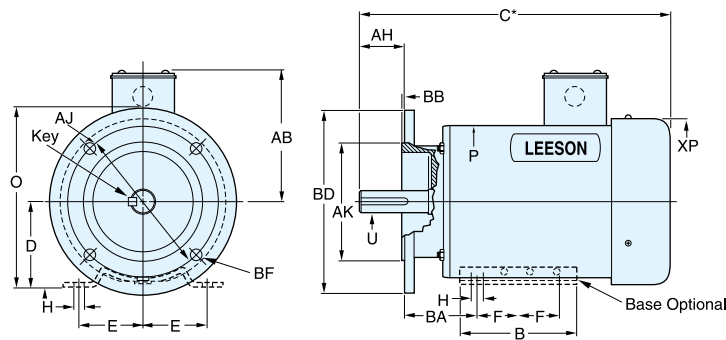
B14 Face Kits (For DC Metric Motors Only)

IEC Frame	Catalog Number	List Price	App. Wgt. (lbs)	AK Register (mm)	BF Hole (mm)	AJ Bolt Circle (mm)	BD Flange Dia. (mm)
71	175107.00	77	1	70	6	85	105
80	175109.00	77	1	80	6	100	120
90S/90L	175129.00	77	1	95	6	115	140
100L/112M	175130.00	188	2	110	6	130	160

Specifications are subject to change without notice

DC Motors

Metric (IEC) Frame - SCR Rated



*For overall length, see motor listing.

IEC Frame Dimensions (Millimeters)

IEC Frame	Mounting			Shaft							B14 Face/B5 Flange					General				
	2E	2F	BA	D	H	U	AH [◇]	KEY	S	R	TAP	AJ	AK	BD	BF	BB	AB	XP	B	O
56	90	71	36	56	6	9	20	15	3	7.0	M3	65 100	50 80	80 120	M5 7	2.5 2.5	83	96	90	99
63	100	80	40	63	7	11	23	19	4	9.0	M4	75 115	60 95	90 140	M5 9	2.5 3.0	116	96	96	108
71	112	90	45	71	7	14	30	26	5	11.5	M5	85 130	70 110	105 160	M6 9	2.5 3.5	114	130	105	132
80	125	100	50	80	10	19	40	33	6	16.0	M6	100 165	80 130	120 200	M6 12	3.0 3.5	124	149	127	151
90S	140	100	56	90	10	24	50	36	8	20.5	M8	115 165	95 130	140 200	M8 12	3.0 3.5	135	182	152	173
90L	140	125	56	90	10	24	50	36	8	20.5	M8	115 165	95 130	140 200	M8 12	3.0 3.5	135	182	152	173
100L	160	140	63	100	12	28	60	41	8	24.5	M10	130 215	110 180	160 250	M8 15	3.5 4.0	135	182	176	173
112M	190	140	70	112	12	28	60	41	8	24.5	M10	130 215	110 180	160 250	M8 15	3.5 4.0	162	231	176	225

◇ Without face or flange AH shaft dimension is 12mm longer.
Specifications are subject to change without notice



DC Motors

Gearmotors

Ac / DC Controls

Accessories / Kits

Mods / Factory Options

X-Ref / Index

Tech Information

Terms / Warnings

Other Products

DC Motors

NEMA Frame - Low Voltage 12, 24, 36 & 48 VOLTS

General Specifications:

- Low voltage PMDC design suitable for battery, solar powered or generator supplied low voltage applications

Features:

- Oversized brushes for long life
- External access to brushes allows for easy replacement further prolonging motor life
- Heavy-duty, stamped steel, bolt on base (Removable)
- NEMA C face mounting flange at no additional cost
- High strength rolled steel frame
- Rugged die cast endshields with steel bearing inserts
- Permanently lubricated sealed ball bearings
- Convert to NEMA 48 frame base dimensions or NEMA 42/48 frame C face dimensions with modification kits shown below
- High starting torques for heavy load applications
- Linear speed torque characteristics throughout the speed range
- Capable of dynamic braking for faster stops
- Reversible rotation
- Simple two lead connection



12, 24, 36 & 48 Volts - TENV / TEFC - C Face With Removable Base

HP/kW	Full Load RPM	IEC Frame	Catalog Number	Stock	List Price	Model Number	App. Wgt. (lbs)	Arm. Volts DC	F. L. Amps DC	"C" Dim. (Inches)	♥Notes
1/4	1750	S56C	108045.00	✓	652	4D17NK5	21	12	21.0	10.27	S, US, 12, 56
1/3	1750	S56C	108046.00	✓	717	4D17NK6	24	12	27.0	10.77	S, US, 12, 56
	1750	S56C	108050.00	✓	687	4D17NK9	22	24	13.5	10.77	S, US, 12, 56
1/2	1750	S56C	108047.00	✓	746	4D17NK7	29	12	39.0	11.77	S, US, 12, 56
	1750	S56C	108051.00	✓	711	4D17NK10	29	24	20.0	11.77	S, US, 12, 56
	1750	SS56C	098381.00	✓	677	42D18FK6	29	36	13.5	10.81	S, US
	1750	SS56C	098382.00	✓	655	42D18FK7	29	48	11.0	10.81	S, US
3/4	1750	S56C	108048.00	✓	823	4D17FK7	30	12	58.0	13.82	S, US, 57
	1750	S56C	108052.00	✓	745	4D17FK8	30	24	29.0	12.82	S, US
1	1750	S56C	108322.00	✓	981	4D17FK28	39	12	80.0	13.81	S, US, 57
	1750	S56C	108053.00	✓	903	4D17FK9	37	24	39.0	13.82	S, US, 57
	1750	S56C	109101.00	✓	865	4D18FK1	37	36	25.5	13.81	S, US
	1750	S56C	109102.00	✓	834	4D18FK2	37	48	18.5	13.81	S, US
1 1/2	1750	S56CZ	109103.00	✓	1317	4D18FK3	39	24	60.0	15.25	S, US, 57, 58
	1750	S56CZ	109104.00	✓	1301	4D18FK4	37	36	36.0	17.38	S, US, 57, 58
	1750	S56CZ	109105.00	✓	1256	4D18FK5	37	48	27.0	17.38	S, US, 57, 58
2	1750	S56CZ	109106.00	✓	1649	4D18FK6	42	24	70.0	16.74	S, US, 57, 58
	1750	S56CZ	109107.00	✓	1525	4D18FK7	42	36	49.0	16.74	S, US, 57, 58
	1750	S56CZ	109108.00	✓	1466	4D18FK8	42	48	38.0	16.74	S, US, 57, 58

If base is removed, do not reinstall bolts without using washers to compensate for thickness of base.

♥ Note listing on inside back flap

Specifications are subject to change without notice



View On-line Technical Information



General Specifications:

- Built to IEC 34-1 Electrical and Mechanical standards
- IEC 63 and smaller frames supplied with an integral B5 Flange or B14 face
- Optional B3 Rigid base kit available
- IEC 71 frame and larger can be field modified for B3 Rigid Base, B5 Flange, or B14 face construction using conversion kits
- Tachometer mounting kits available for 71 and 80 frames only

Features:

- Cast aluminum conduit box
- Terminal board provided for connections
- All Metric fasteners
- Easy brush access for field service
- Oversize brushes for extended life
- High strength rolled steel frame
- Die cast aluminum endshields with Steel bearing inserts
- Permanently lubricated sealed ball bearings
- Reversible rotation
- Simple 2 lead connection
- Convenient wiring access
- Tachometer mounting kits available for 71 and 80 frames only



24 Volt - TEFC/TENV - Modular Design

HP/ kW	Full Load RPM	IEC Frame	Catalog Number	Stock	List Price	Model Number	App. Wgt. (lbs)	Arm. Volts DC	F. L. Amps DC	"C" Dim. (Inches/mm)	♥Notes
0.06/1/12	3000	56	M1110025.00›	√	354	980.543	5	24	3.3	5.34	S, US, 12
	1750	56	M1110026.00›	√	400	980.544	6	24	3.4	6.34	S, US, 12
0.18/1/4	3000	63	M1130206.00"	√	451	CIM34D30FD2	13	24	11	7.75	S, US
	3000	63	M1130296.00›	√	451	CIM34D30FC7	9	24	11	7.75	S, US
	1750	63	M1130207.00*	√	517	CIM34D18FD6	13	24	10	8.75	S, US
	1750	63	M1130297.00›	√	517	CIM34D18FC10	9	24	10	8.75	S, US
	1750	71	098065.00	√	619	42D17FT6	19	24	11	10.77	S, US
0.37/1/2	3000	71	098066.00	√	640	42D34FT7	23	24	20	11.27	S, US
	1750	71	098067.00	√	677	42D17FT7	23	24	20	12.27	S, US
0.75/1	3000	80	108456.00	√	744	4D34FT5	33	24	40	14.14	S, US, 57
	1750	80	108455.00	√	870	4D17FT6	52	24	39	14.64	S, US, 57
1.1/11/2	3000	80	108457.00	√	826	4D34FT6	33	24	65	15.64	S, US, 57
1.5/2	3000	80	108458.00	√	950	4D34FT7	43	24	78	17.14	S, US, 57

IMPORTANT: IEC 71 and 80 frame motors in this chart are round body and require either B14 face, B5 flange or B3 foot from kits shown on page 290.

› Dedicated B5 Flange

* Dedicated B14 Face

♥ Note listing on inside back flap

Specifications are subject to change without notice



DC Motors

SUB-FHP Low Voltage Motors

General Specifications:

- Low voltage PMDC design suitable for battery, solar powered or generator supplied low voltage applications

Features:

- Compact, space saving design
- Standard conduit box simplifies connections
- Ball bearing construction
- Long life brushes
- External access to brushes allows for easy replacement further prolonging motor life
- High starting torques
- Linear speed torque characteristics throughout the speed range
- Capable of dynamic braking for faster stops
- Reversible rotation
- Simple two lead connection
- Class F insulated with high temperature welded commutators.



12 & 24 Volts - TENV - Square Flange

HP	Full Load RPM	IEC Frame	Catalog Number	Stock	List Price	Model Number	App. Wgt. (lbs)	Arm. Volts DC	F. L. Amps DC	♥Notes
1/20	1750	25CS	M1110006.00*	√	258	980.536	3	12	4.4	S, US
1/10	4200							24	4.4	
1/14	1750	31AS	M1120040.00	√	303	M31D17NZ6	4	12	7.7	S, US
1/7	4200							24	7.7	
1/7	1750	31ES	M1120044.00	√	400	M31D17NZ10	9	12	13	S, US
1/4	3500							24	13	
1/6	1750	31GS	M1120046.00	√	423	M31D17NZ26	8	12	14	S, US
1/3	3900							24	14	

These motors may be operated at 12, 24V, or at intermediate voltages between 12 and 24V, within horsepower ranges noted.

♥ Note listing on inside back flap

* Provision for optional conduit box - M1760000.00

Specifications are subject to change without notice



View On-line Technical Information

Low Voltage Commercial Duty Metric (IEC) Frame Motors

Features:

- Specially designed low voltage DC for use in OEM applications
- Combination of features and low cost make these ideal for many uses
- IP44(TENV) enclosure
- Dedicated B14 face mount
- Continuous duty
- Zinc plated steel frame construction



12, 24V & 90 Volt - TENV - B14 Mount

HP	Full Load RPM	IEC Frame	Catalog Number	Stock	List Price	Model Number	App. Wgt. (lbs)	Arm. Volts DC	F. L. Amps DC	♥Notes
1/15	3000	56	980.159	✓	180	980.159	2.3	12	6.4	S, US
	3000	56	980.143	✓	180	980.143	2.3	24	3.2	S, US
	3000	56	980.549	✓	173	980.549	2.3	90	0.8	S, US
1/8	3000	56	970.600	✓	208	970.600	3.0	12	12.0	S, US
	3000	56	970.601	✓	208	970.601	3.0	24	5.3	S, US
	3000	56	970.576	✓	208	970.576	3.0	90	1.2	S, US
1/6	3000	56	970.620	✓	226	970.620	3.5	12	13.1	S, US
	3000	56	970.621	✓	226	970.621	3.5	24	6.8	S, US
	3000	56	970.577	✓	214	970.577	3.5	90	1.6	S, US

Specifications are subject to change without notice

♥ Note listing on inside back flap

DC Motors

Gearmotors

Ac / DC Controls

Accessories / Kits

Mods / Factory Options

X-Ref / Index

Tech Information

Terms / Warnings

Other Products

DC Motors - Washguard Motors

NEMA and IEC Washguard

All-Stainless DC Motors - SCR Rated



TEFC - SCR Rated 90 & 180V - NEMA - C Face With Base

HP	Full Load RPM	NEMA Frame	Catalog Number	Stock	List Price	Model Number	App. Wgt. (lbs)	Arm. Volts DC	Control Volts AC Input	F. L. Amps DC	"C" Dim. (Inches)	♥Notes
1/4	1750	S56C	109065.00	√	1299	4D17VK24	38	90	115	3.1	11.81	S, US, 12
1/3	1750	S56C	109066.00	√	1374	4D17VK25	44	90	115	3.8	12.81	S, US, 12
	1750	S56C	109067.00	√	1374	4D17VK26	44	180	230	1.9	12.81	S, US, 12
1/2	1750	S56C	109069.00	√	1605	4D17WK9	46	90	115	5.2	13.87	S, US, 13
	1750	S56C	109070.00	√	1605	4D17WK10	46	180	230	2.7	13.87	S, US, 13
3/4	1750	S56C	109072.00	√	1954	4D17WK13	47	90	115	7.5	15.37	S, US, 13
	1750	S56C	109073.00	√	1954	4D17WK14	48	180	230	3.7	15.37	S, US, 13
1	1750	S56C	109075.00	√	2267	4D17WK16	51	90	115	9.5	16.37	S, US, 13
	1750	S56C	109076.00	√	2267	4D17WK17	50	180	230	5.0	16.37	S, US, 13

Base is welded to frame and not removable

♥ Note listing on inside back flap

Specifications are subject to change without notice



TEFC - SCR Rated 90 & 180V - NEMA - C Face Less Base

HP	Full Load RPM	NEMA Frame	Catalog Number	Stock	List Price	Model Number	App. Wgt. (lbs)	Arm. Volts DC	Control Volts AC Input	F. L. Amps DC	"C" Dim. (Inches)	♥Notes
1/4	1750	S56C	109078.00	√	1268	4D17VC5	38	90	115	3.1	11.81	S, US, 12
1/3	1750	S56C	109079.00	√	1343	4D17VC6	44	90	115	3.8	12.81	S, US, 13
	1750	S56C	109080.00	√	1343	4D17VC7	44	180	230	1.9	12.81	S, US, 13
1/2	1750	S56C	109082.00	√	1575	4D17WC2	46	90	115	5.2	13.87	S, US, 13
	1750	S56C	109083.00	√	1575	4D17WC3	46	180	230	2.7	13.87	S, US, 13
3/4	1750	S56C	109085.00	√	1924	4D17WC5	47	90	115	7.5	15.37	S, US, 13
	1750	S56C	109086.00	√	1924	4D17WC6	48	180	230	3.7	15.37	S, US, 13
1	1750	S56C	109088.00	√	2238	4D17WC8	51	90	115	9.5	16.37	S, US, 13
	1750	S56C	109089.00	√	2238	4D17WC9	50	180	230	5.0	16.37	S, US, 13

Specifications are subject to change without notice

♥ Note listing on inside back flap



View On-line Technical Information

DC Motors - Washguard Motors

Metric (IEC) Frame PMDC Motors

TEFC - SCR Rated 90 & 180V - All Stainless Steel - C Face With Base

HP/kW	Full Load RPM	NEMA Frame	Catalog Number	Stock	List Price	Model Number	App. Wgt. (lbs)	Arm. Volts DC	Control Volts AC Input	F. L. Amps DC	"C" Dim. (Inches)	♥Notes
1/3 - 0.25	1750	80D	109068.00	√	1374	4D17VK27	44	180	230	1.9	12.81	S, US, 12
1/2 - 0.37	1750	80D	109071.00	√	1605	4D17WK11	46	180	230	2.7	13.87	S, US, 13
3/4 - 0.55	1750	80D	109074.00	√	1954	4D17WK15	48	180	230	3.7	15.37	S, US, 13
1 - 0.75	1750	80D	109077.00	√	2267	4D17WK18	50	180	230	5	16.37	S, US, 13

Base is welded to frame and not removable
Specifications are subject to change without notice

♥ Note listing on inside back flap

TEFC - SCR Rated 90 & 180V - Metric (IEC) - All-Stainless Steel - C Face Less Base

HP/kW	Full Load RPM	NEMA Frame	Catalog Number	Stock	List Price	Model Number	App. Wgt. (lbs)	Arm. Volts DC	Control Volts AC Input	F. L. Amps DC	"C" Dim. (Inches)	♥Notes
1/3 - 0.25	1750	80D	109081.00	√	1343	4D17VC8	44	180	230	1.9	12.81	S, US, 12
1/2 - 0.37	1750	80D	109084.00	√	1575	4D17WC4	46	180	230	2.7	13.87	S, US, 13
3/4 - 0.55	1750	80D	109087.00	√	1924	4D17WC7	48	180	230	3.7	15.37	S, US, 13
1 - 0.75	1750	80D	109090.00	√	2238	4D17WC10	50	180	230	5	16.37	S, US, 13

Specifications are subject to change without notice

♥ Note listing on inside back flap

Flange And Face Kits for DC Metric (IEC) Frame Motors

The modular design concept of LEESON's other metric DC motors has been applied to the all-stainless metric motors. Any flange or face kit can mount on any motor. This allows the greatest flexibility from the smallest inventory of motors.

B5 Flange Kits (For Stainless DC Metric Motors)

IEC Frame	Catalog Number	List Price	App. Wgt. (lbs)	BD Flange Dia. (mm)	AK Register (mm)	BF Hole (mm)	AJ Bolt Circle (mm)
71	175593.00	173	2	160	110	9	130
80	175594.00	208	3	200	130	12	165
90S/90L	175594.00	208	3	200	130	12	165
100L/112M	175595.00	325	5	250	180	15	215

Specifications are subject to change without notice

♥ Note listing on inside back flap

B14 Flange Kits (For Stainless DC Metric Motors)

IEC Frame	Catalog Number	List Price	App. Wgt. (lbs)	BD Flange Dia. (mm)	AK Register (mm)	BF Hole (mm)	AJ Bolt Circle (mm)
71	175596.00	131	1	105	70	6	85
80	175597.00	131	1	120	80	6	100
90S/90L	175598.00	358	1	140	95	6	115
100L/112M	175599.00	325	2	160	110	6	130

Specifications are subject to change without notice

♥ Note listing on inside back flap



- DC Motors
- Gearmotors
- Ac / DC Controls
- Accessories / Kits
- Mods / Factory Options
- X-Ref / Index
- Tech Information
- Terms / Warnings
- Other Products

Gearmotors

Quick Reference – Stock Sub-FHP Gearmotors

AC Single & Three Phase

DC SCR & Low Voltage



Parallel Shaft
PZ Series
Gearmotors

Single Phase 115V
12-100 In-Lbs
Output Torque
Page 321

BODINE/BISON/DAYTON
DIRECT INTERCHANGE

DC SCR 90 & 180V
10-100 In-Lbs
Output Torque
Low Voltage (12V)
36-100 In-Lbs torque
Page 301



P240 & P300 Series
Gearmotors

Single Phase 115/230V
43-391 In-Lbs
Output Torque
Page 323

BISON/DAYTON
DIRECT INTERCHANGE

DC SCR 90 & 180V
27-353 In-Lbs
Output Torque
Low Voltage (12V)
113-353 In-Lbs torque
Page 303



OS300 Series
Gearmotors

Single Phase 115/230V
25-341 In-Lbs
Output Torque
Three Phase 230/460V
55-320 In-Lbs
Output Torque
Page 335

BODINE
DIRECT
INTERCHANGE

DC SCR 90V
and
Low Voltage (12V)
Output Torque
130-268 In-Lbs
Page 305



PE350 Series
Gearmotors

Single Phase 115/230V
70-1105 In-Lbs
Output Torque
Three Phase 230/460V
70-1105 In-Lbs
Output Torque
Page 329

BISON/DAYTON
DIRECT INTERCHANGE

DC SCR 90V
105-1112 In-Lbs
Output Torque
Low Voltage (12V)
320-1087 In-Lbs torque
Page 309



P1100 Series
Gearmotors

Single Phase 115/230V
14-113 In-Lbs
Output Torque
Page 330

BODINE/DAYTON
DIRECT INTERCHANGE

DC SCR 90 & 180V
5-135 In-Lbs
Output Torque
Low Voltage (12V)
25-135 In-Lbs torque
Page 311



Right-Angle
Worm Type
10 & 13 Series
Gearmotors



Bravo Right Angle
Worm Type
12 Series
Gearmotors

DC SCR 90V
and
Low Voltage (12V)
Output Torque
46-134 In-Lbs
Page 313



- DC Motors
- Gearmotors**
- AC / DC Controls
- Accessories / Kits
- Mods / Factory Options
- X-Ref / Index
- Tech. Information
- Terms / Warnings
- Other Products

Quick Reference – Stock Sub-FHP Washguard Gearmotors



P300 Series Gearmotors

DC SCR 90V
and
Low Voltage (12V)
Output Torque
44-353 In-Lbs
Page 315



PE350 Series Gearmotors

DC SCR 90V
and
Low Voltage (12V)
Output Torque
25-341 In-Lbs
Page 317



Right-Angle 13 Series Gearmotors

DC SCR 90V
and
Low Voltage (12V)
Output Torque
50-135 In-Lbs
Page 319



P240 Series Gearmotors

AC – Single Phase &
Three Phase
Washdown Duty
60-391 In-Lbs
Output Torque
Page 331

**BISON/DAYTON
DIRECT INTERCHANGE**



Right-Angle Worm Type 10 & 13 Series Gearmotors

AC – Single Phase &
Three Phase
Washdown Duty
23-220 In-Lbs
Output Torque
Page 331

**BODINE/DAYTON
DIRECT INTERCHANGE**

Stock Sub-FHP Three Phase Inverter Rated Gearmotors



Includes gearmotor series PZ, P240, PE350 and 13 series right-angle

Three Phase 230V
12-391 In-Lbs
Output Torque
Page 334

View On-line Technical Information



Gearmotors

Parallel Shaft - PZ Series - DC

SCR Rated - 10-100 In-Lbs Torque Low Voltage - 36-100 In-Lbs Torque



General Specifications - SCR Rated Gearmotors:

- Performance matched for continuous duty service over 60:1 speed range
- Constant torque throughout the range when powered by a full-wave unfiltered SCR-type adjustable speed control having a typical form factor of 1.3 to 1.4

General Specifications - Low Voltage Gearmotors:

- Performance matched for continuous duty service
- Designed for battery power or can be used with a low voltage controller with form factor up to 1.05

Features:

- Precision machined in-line steel gears
- First stage steel helical gear followed by spur-type gears
- Lubrication is permanent semi-fluid grease, reducing possibility of leakage
- Output shafts have needle bearings for high load capacities
- Shafts are hardened steel
- Optional conduit box and PZ gearmotor mounting bracket available below

Application Notes:

- These gearmotors are designed for mounting at any angle, but motor below the reducer should be avoided to prevent leakage of lubricant into the motor should the motor shaft seal fail
- Motor's stall torque could exceed recommended full load torques. A current limiting device such as an SCR control should be used to prevent damage. This issue is even more critical for low voltage motors, typically no controller is used since motor is connected directly to a battery, so some type of current limit or fusing should be considered
- Overhung load capacities shown are at center of output shaft
- Model PZ gearmotors have the same mounting dimensions as Bodine model D and Z, Baldor/Boehm, Bison 100 gearmotors, and a number of Dayton gearmotors
- For additional information, see Bulletin 1830
- **Bodine/Baldor/Boehm/Bison/Dayton direct interchange**

SCR Rated - 10-100 In-Lbs Torque
Low Voltage - 36-100 In-Lbs Torque

90 & 180 Volts - TENV - PZ Series

Output RPM	F.L. Torque (Lb.in.)	Input HP	Catalog Number	Stock	List Price	Model Number	Gearmotor Type & Frame	Ratio to 1	Arm. Volts DC	F.L. Amps DC	Over-hung Load (lb.)	Dimensions (inches)				♥Notes
												P	X	XL	XH	
4	40	1/40	M1115002.00	✓	496	985.620	PZ5-30A	450	90	0.46	155	3.00	3.25	9.28	7.72	S, US
	40	1/40	M1125046.00	✓	496	985.623	PZ5-30A	450	180	0.19	155	3.00	3.25	9.3	7.74	S, US
10	100	1/20	M1115001.00	✓	496	985.621	PZ4-30E	180	90	0.54	155	3.00	3.25	9.28	7.72	S, US
	100	1/20	M1125047.00	✓	496	985.624	PZ4-30A	180	180	0.31	155	3.00	3.25	9.3	7.74	S, US
20	100	1/20	M1115000.00	✓	496	985.622	PZ4-30E	90	90	0.54	155	3.00	3.25	9.28	7.72	S, US
	100	1/20	M1125048.00	✓	496	985.625	PZ4-30A	90	180	0.31	155	3.00	3.25	9.3	7.74	S, US
30	100	1/17	M1125002.00	✓	539	985.627	PZ3-30B	60	90	0.8	155	3.00	2.68	8.74	7.18	S, US
	100	1/17	M1125037.00	✓	539	985.635	PZ3-30B	60	180	0.36	155	3.00	2.68	8.74	7.18	S, US
60	56	1/17	M1125003.00	✓	539	985.628	PZ3-30B	30	90	0.8	171	3.00	2.68	8.74	7.18	S, US
	56	1/17	M1125036.00	✓	539	985.634	PZ3-30B	30	180	0.36	171	3.00	2.68	8.74	7.18	S, US
100	36	1/17	M1125004.00	✓	539	985.626	PZ3-30B	18	90	0.8	171	3.00	2.68	8.74	7.18	S, US
	36	1/17	M1125035.00	✓	539	985.631	PZ3-30B	18	180	0.36	171	3.00	2.68	8.74	7.18	S, US
150	24	1/17	M1125005.00	✓	512	985.629	PZ2-30B	12	90	0.8	180	3.00	2.40	8.46	6.90	S, US
	24	1/17	M1125034.00	✓	512	985.633	PZ2-30B	12	180	0.36	180	3.00	2.40	8.46	6.90	S, US
300	10	1/17	M1125006.00	✓	512	985.630	PZ2-30B	6	90	0.8	180	3.00	2.40	8.46	6.90	S, US
	10	1/17	M1125033.00	✓	512	985.632	PZ2-30B	6	180	0.36	180	3.00	2.40	8.46	6.90	S, US

Specifications are subject to change without notice

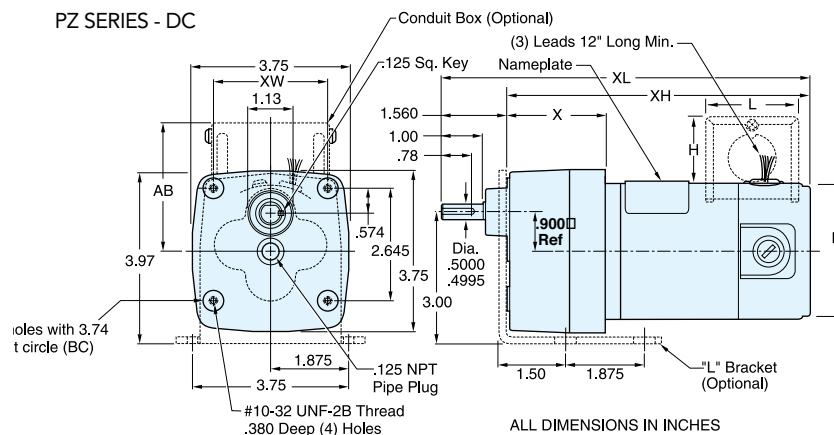
♥ Note listing on inside back flap

12 Volts - TENV - PZ Series

Output RPM	F.L. Torque (Lb.in.)	Input HP	Catalog Number	Stock	List Price	Model Number	Gearmotor Type & Frame	Ratio to 1	Arm. Volts DC	F.L. Amps DC	Over-hung Load (lb.)	Dimensions (inches)				♥Notes
												P	X	XL	XH	
10	100	1/20	M1125213.00	✓	549	985.653	PZ4-30	180	12	2.7	155	3.00	3.25	9.28	7.72	S, US
30	100	1/17	M1125214.00	✓	583	985.654	PZ3-30	60	12	5.2	155	3.00	2.68	8.74	7.18	S, US
55	56	1/17	M1125215.00	✓	583	985.655	PZ3-30	30	12	5.6	171	3.00	2.68	8.74	7.18	S, US

Specifications are subject to change without notice

♥ Note listing on inside back flap



Conduit Box Dimensions (IN)

Frame	XW	AB	H	L
30/31	2.63	3.47	1.90	3.13

View On-line Technical Information



Gearmotors

Parallel Shaft - P300 Series - DC

SCR Rated - 27-353 In-Lbs. Torque

Low Voltage - 113-353 In-Lbs Torque



General Specifications - SCR Rated Gearmotors:

- Performance matched for continuous duty service over 60:1 speed range
- Constant torque throughout the range when powered by a full-wave unfiltered SCR-type adjustable speed control having a typical form factor of 1.3 to 1.4

General Specifications - Low Voltage Gearmotors:

- Performance matched for continuous duty service
- Designed for battery power or can be used with a low voltage controller with form factor up to 1.05

Features:

- Precision machined in-line steel gears
- First stage steel helical gear followed by spur-type gears
- Lubrication is permanent semi-fluid grease, reducing possibility of leakage
- Output shafts have needle bearings for high load capacities
- Shafts are hardened steel
- Optional conduit box available

Application Notes:

- These gearmotors are designed for mounting at any angle, but motor below the reducer should be avoided to prevent leakage of lubricant into the motor should the motor shaft seal fail
- Motor's stall torque could exceed recommended full load torques. A current limiting device such as an SCR control should be used to prevent damage. This issue is even more critical for low voltage motors, typically no controller is used since motor is connected directly to a battery, so some type of current limit or fusing should be considered
- Overhung load capacities shown are at center of output shaft
- For additional information, see Bulletin 1830
- **Bison/Dayton direct interchange**

SCR Rated - 27-353 In-Lbs. Torque
Low Voltage - 113-353 In-Lbs Torque

90 & 180 Volts - TENV - P300 Series

Output RPM	F.L. Torque (Lb.In.)	Input HP	Catalog Number	Stock	List Price	Model Number	Gearmotor Type & Frame	Ratio to 1	Arm. Volts DC	F.L. Amps DC	Over-hung Load (lb.)	Dimensions (inches)				♥Notes
												P	X	XL	XH	
5	353	1/20	M1115024.00	✓	710	985.602	P303-30E	336	90	0.54	565	3.00	3.54	10.07	8.57	S, US
9	268	1/20	M1115025.00	✓	710	985.603	P303-30E	216	90	0.54	474	3.00	3.54	10.07	8.57	S, US
18	150	1/20	M1115026.00	✓	710	985.604	P303-30E	103	90	0.54	385	3.00	3.54	10.07	8.57	S, US
20	140	1/20	M1125092.00	✓	729	985.607	P303-31E	90	180	0.31	370	3.11	3.54	10.07	8.57	S, US
24	280	1/8	M1125069.00	✓	729	985.611	P303-30E	76	90	1.3	353	3.00	3.54	11.54	10.04	S, US
31	220	1/8	M1125070.00	✓	729	985.612	P303-30E	58	90	1.3	327	3.00	3.54	11.54	10.04	S, US
31	220	1/8	M1125038.00	✓	729	985.617	P303-30E	58	180	0.66	327	3.00	3.54	11.54	10.04	S, US
34	82	1/20	M1115027.00	✓	710	985.605	P303-30E	52	90	0.54	318	3.00	3.54	10.07	8.57	S, US
51	130	1/8	M1125071.00	✓	670	985.615	P302-30E	35	90	1.3	277	3.00	3.54	11.54	10.04	S, US
51	130	1/8	M1125039.00	✓	670	985.614	P302-30E	35	180	0.66	277	3.00	3.54	11.54	10.04	S, US
51	55	1/20	M1115028.00	✓	654	985.606	P302-30E	35	90	0.54	281	3.00	3.54	10.07	8.57	S, US
61	113	1/8	M1125072.00	✓	670	985.610	P302-30E	29	90	1.3	267	3.00	3.54	11.54	10.04	S, US
60	45	1/20	M1125093.00	✓	670	985.609	P302-31E	29	180	0.31	267	3.11	3.54	10.07	8.57	S, US
94	77	1/8	M1125073.00	✓	670	985.613	P302-30E	19	90	1.3	236	3.00	3.54	11.54	10.04	S, US
94	77	1/8	M1125040.00	✓	670	985.618	P302-30E	19	180	0.66	236	3.00	3.54	11.54	10.04	S, US
109	27	1/20	M1115029.00	✓	654	985.601	P302-30E	16	90	0.54	224	3.00	3.54	10.07	8.57	S, US
106	26	1/20	M1125094.00	C/A	654	985.608	P302-31E	16	180	0.31	222	3.11	3.54	10.07	8.57	S, US
167	43	1/8	M1125074.00	✓	670	985.616	P302-30E	11	90	1.3	197	3.00	3.54	11.54	10.04	S, US
170	43	1/8	M1125041.00	✓	670	985.619	P302-30E	11	180	0.66	196	3.00	3.54	11.54	10.04	S, US

C/A - Check Availability

♥ Note listing on inside back flap

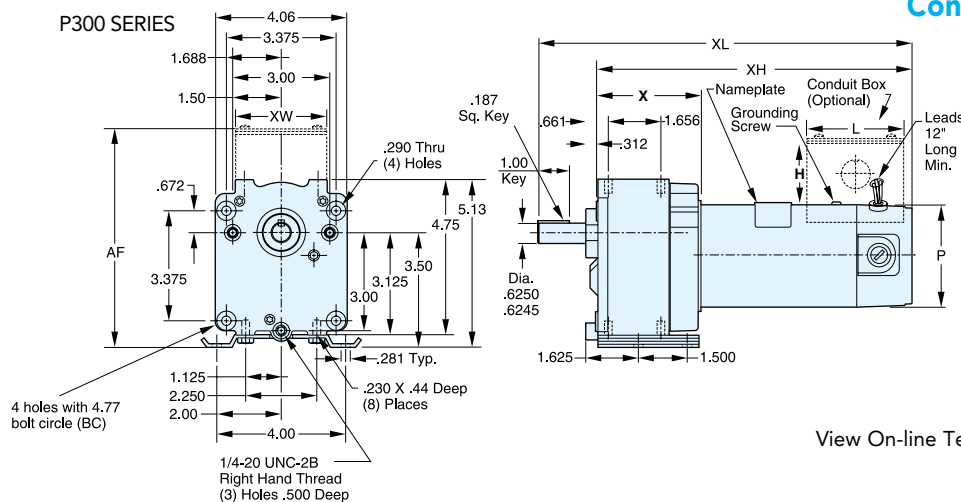
Specifications are subject to change without notice

12 Volt - TENV - P300 Series

Output RPM	F.L. Torque (Lb.In.)	Input HP	Catalog Number	Stock	List Price	Model Number	Gearmotor Type & Frame	Ratio to 1	Arm. Volts DC	F.L. Amps DC	Over-hung Load (lb.)	Dimensions (inches)				♥Notes
												P	X	XL	XH	
5	353	1/20	M1125217.00	✓	729	985.657	P303-30	336	12	5.6	565	3.00	3.85	10.07	8.57	S, US
31	220	1/8	M1125218.00	✓	746	985.658	P303-30	58	12	10.6	327	3.00	3.54	11.54	10.04	S, US
51	130	1/8	M1125219.00	✓	686	985.659	P302-30	35	12	10.3	277	3.00	3.23	11.54	10.04	S, US
61	113	1/8	M1125220.00	✓	686	985.660	P302-30	29	12	10.4	267	3.00	3.23	11.54	10.04	S, US

Specifications are subject to change without notice

♥ Note listing on inside back flap



Conduit Box Dimensions (IN.)

Frame	AF	XW	H	L
30/31	6.26	2.63	1.90	3.13

View On-line Technical Information



Gearmotors

Off-Set Shaft Gearmotors - OS300 Series - DC

SCR Rated - 130-268 In-Lbs. Torque
Low Voltage - 130-268 In-Lbs. Torque



General Specifications - SCR Rated Gearmotors:

- Performance matched for continuous duty service over 60:1 speed range
- Constant torque throughout the range when powered by a full-wave unfiltered SCR-type adjustable speed control having a typical form factor of 1.3 to 1.4

General Specifications - Low Voltage Gearmotors:

- Performance matched for continuous duty service
- Designed for battery power or can be used with a low voltage controller with form factor up to 1.05

Features:

- Precision machined in-line steel gears
- First stage steel helical gear followed by spur-type gears
- Lubrication is permanent semi-fluid grease, reducing possibility of leakage
- Output shafts have needle bearings for high load capacities
- Shafts are hardened steel
- Optional conduit box available

Application Notes:

- These gearmotors are designed for mounting at any angle, but motor below the reducer should be avoided to prevent leakage of lubricant into the motor should the motor shaft seal fail
- Motor's stall torque could exceed recommended full load torques. A current limiting device such as an SCR control should be used to prevent damage. This issue is even more critical for low voltage motors, typically no controller is used since motor is connected directly to a battery, so some type of current limit or fusing should be considered
- Overhung load capacities shown are at center of output shaft

Off-Set Shaft Gearmotors - OS300 Series - DC

SCR Rated - 130-268 In-Lbs. Torque
Low Voltage - 130-268 In-Lbs. Torque

90 Volts - TENV - OS300 Series

Output RPM	F.L. Torque (Lb.In.)	Input HP	Catalog Number	Stock	List Price	Model Number	Gearmotor Type & Frame	Ratio to 1	Arm. Volts DC	F.L. Amps DC	Overhung Load (lb.)	Dimensions (inches)				♥ Notes
												P	X	XL	XH	
9	268	1/20	M1125251.00	√	599	985.692	OS303-30	210	90	0.54	474	3.00	2.81	4.50	8.52	S, US
19	150	1/20	M1125250.00	√	599	985.691	OS303-30	103	90	0.56	385	3.00	2.81	4.50	8.52	S, US
24	280	1/8	M1125249.00	√	615	985.690	OS303-30	76	90	1.3	353	3.00	2.81	6.42	10.45	S, US
31	220	1/8	M1125248.00	√	615	985.689	OS303-30	58	90	1.4	327	3.00	2.81	6.42	10.45	S, US
51	130	1/8	M1125247.00	√	615	985.688	OS303-30	35	90	1.4	277	3.00	2.81	6.42	10.45	S, US

Specifications are subject to change without notice

♥ Note listing on inside back flap

12 Volts - TENV - OS300 Series

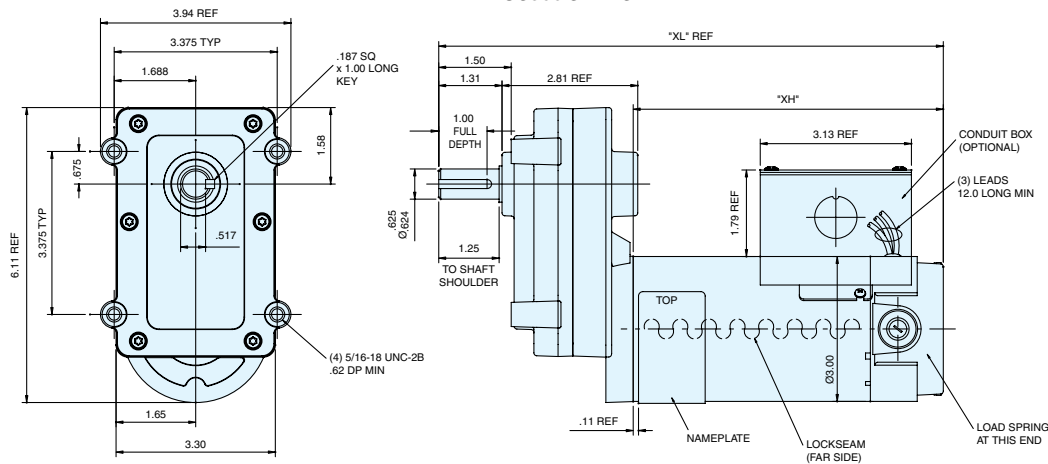
Output RPM	F.L. Torque (Lb.In.)	Input HP	Catalog Number	Stock	List Price	Model Number	Gearmotor Type & Frame	Ratio to 1	Arm. Volts DC	F.L. Amps DC	Overhung Load (lb.)	Dimensions (inches)				♥ Notes
												P	X	XL	XH	
9	268	1/20	M1125256.00	√	615	985.697	OS303-30	210	12	4.5	474	3.00	2.81	4.50	8.52	S, US
18	150	1/20	M1125255.00	√	615	985.696	OS303-30	103	12	5	385	3.00	2.08	4.50	8.52	S, US
24	280	1/8	M1125254.00	√	629	985.695	OS303-30	76	12	10.6	353	3.00	2.81	6.42	10.45	S, US
31	220	1/8	M1125253.00	√	629	985.694	OS303-30	58	12	10.6	327	3.00	2.81	6.42	10.45	S, US
51	130	1/8	M1125252.00	C/A	629	985.693	OS303-30	35	12	10.3	277	3.00	2.81	6.42	10.45	S, US

C/A - Check Availability

♥ Note listing on inside back flap

Specifications are subject to change without notice

OS300 SERIES



ALL DIMENSIONS IN INCHES

View On-line Technical Information



DC Motors

Gearmotors

Ac / DC Controls

Accessories / Kits

Mods / Factory Options

X-Ref / Index

Tech Information

Terms / Warnings

Other Products

Gearmotors

PE350 Series - Parallel Shaft - DC

SCR Rated - 25-371 In-Lbs. Torque
Low Voltage - 155-341 In-Lbs Torque



General Specifications - SCR Rated Gearmotors:

- Performance matched for continuous duty service over 60:1 speed range
- Constant torque throughout the range when powered by a full-wave unfiltered SCR-type adjustable speed control having a typical form factor of 1.3 to 1.4

General Specifications - Low Voltage Gearmotors:

- Performance matched for continuous duty service
- Designed for battery power or can be used with a low voltage controller with form factor up to 1.05

Features:

- Rugged die cast aluminum gear housing for maximum gear and bearing support
- Precision machined gearing, hardened for maximum load capability
- All gearing designed and rated to AGMA class 9 standards, and to withstand momentary shock overload of 200%
- Oversized output bearings for greater overhung load capacity and long life
- High carbon alloy output shaft provides maximum strength and rigidity
- All needle bearing journals are precision ground after heat treating to provide maximum fit and finish
- Heavy duty industrial oil seals keep lubricant in and dirt out
- Gears and bearings are splash lubricated with permanent, heavy duty gear oil
- Optional conduit box available

Application Notes:

- These gearmotors are designed for mounting at any angle, but motor below the reducer should be avoided to prevent leakage of lubricant into the motor should the motor shaft seal fail
- Motor's stall torque could exceed recommended full load torques. A current limiting device such as an SCR control should be used to prevent damage. This issue is even more critical for low voltage motors, typically no controller is used since motor is connected directly to a battery, so some type of current limit or fusing should be considered
- Overhung load capacities shown are at center of output shaft
- **Bodine/Baldor direct interchange**

SCR Rated - 25-371 In-Lbs. Torque
Low Voltage - 155-341 In-Lbs Torque

90 & 180 Volts - TENV - PE350 Series

Output RPM	F.L. Torque (Lb.In.)	Input HP	Catalog Number	Stock	List Price	Model Number	Gearmotor Type & Frame	Ratio to 1	Arm. Volts DC	F.L. Amps DC	Overhung Load (lb.)	Dimensions (inches)		♥Notes
												XL	XH	
7	330	1/8	M1135106.00	✓	718	M34D25NZ62	P353-34	336	90	0.7	565	11.31	9.31	S, US
	330	1/8	M1135139.00	✓	718	M34D25NZ71	P353-34	336	180	0.35	565	11.31	9.31	S, US
14	341	1/8	M1135107.00	✓	718	M34D25NZ61	P353-34	180	90	1	465	11.31	9.31	S, US
	341	1/8	M1135140.00	✓	718	M34D25NZ72	P353-34	180	180	0.5	465	11.31	9.31	S, US
21	371	1/4	M1135117.00	✓	752	M34D25NZ52	P353-34	124	90	1.1	413	13.31	11.31	S, US
	371	1/4	M1135141.00	✓	752	M34D25NZ73	P353-34	124	180	0.55	413	13.31	11.31	S, US
27	305	1/4	M1135115.00	✓	752	M34D25NZ51	P353-34	91	90	1.5	374	13.31	11.31	S, US
	305	1/4	M1135142.00	✓	752	M34D25NZ74	P353-34	91	180	0.75	374	13.31	11.31	S, US
42	280	1/4	M1135108.00	✓	752	M34D25NZ53	P353-34	58	90	2.3	327	13.31	11.31	S, US
	280	1/4	M1135143.00	✓	752	M34D25NZ75	P353-34	58	180	1.2	327	13.31	11.31	S, US
50	250	1/4	M1135109.00	✓	752	M34D25NZ54	P353-34	50	90	2.3	315	13.31	11.31	S, US
	250	1/4	M1135144.00	✓	752	M34D25NZ76	P353-34	50	180	1.2	315	13.31	11.31	S, US
62	220	1/4	M1135110.00	✓	752	M34D25NZ55	P353-34	43	90	2.3	303	13.31	11.31	S, US
	220	1/4	M1135145.00	✓	752	M34D25NZ77	P353-34	43	180	1.2	303	13.31	11.31	S, US
83	155	1/4	M1135114.00	✓	710	M34D25NZ57	P352-34	29	90	2.3	267	13.31	11.31	S, US
	155	1/4	M1135146.00	✓	710	M34D25NZ78	P352-34	29	180	1.2	267	13.31	11.31	S, US
125	100	1/4	M1135111.00	✓	710	M34D25NZ56	P352-34	23	90	2	256	13.31	11.31	S, US
	100	1/4	M1135147.00	✓	710	M34D25NZ79	P352-34	23	180	1	256	13.31	11.31	S, US
165	70	1/4	M1135112.00	✓	710	M34D25NZ58	P352-34	15	90	2	232	13.31	11.31	S, US
	70	1/4	M1135148.00	✓	710	M34D25NZ80	P352-34	15	180	1	232	13.31	11.31	S, US
250	45	1/4	M1135116.00	✓	710	M34D25NZ60	P352-34	10	90	2	201	13.31	11.31	S, US
	45	1/4	M1135149.00	✓	710	M34D25NZ81	P352-34	10	180	1	201	13.31	11.31	S, US
500	25	1/4	M1135113.00	✓	710	M34D25NZ59	P352-34	5	90	2	194	13.31	11.31	S, US
	25	1/4	M1135150.00	✓	710	M34D25NZ82	P352-34	5	180	1	194	13.31	11.31	S, US

Specifications are subject to change without notice

♥ Note listing on inside back flap

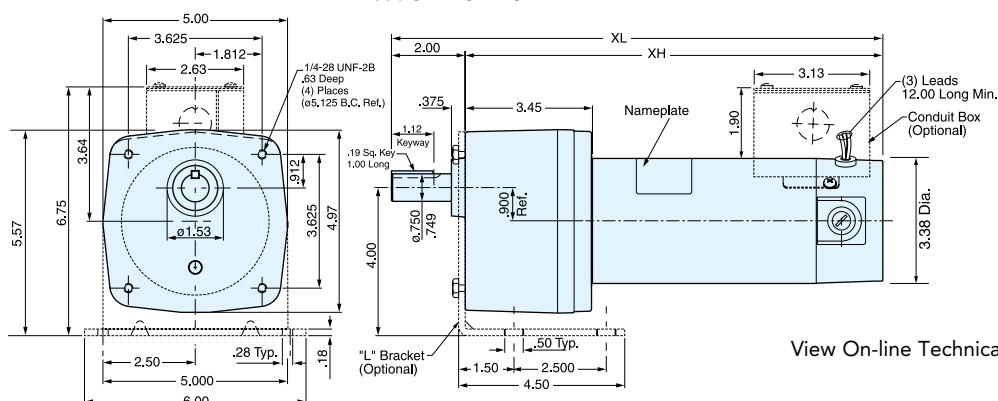
12 Volts - TENV - PE350 Series

Output RPM	F.L. Torque (Lb.In.)	Input HP	Catalog Number	Stock	List Price	Model Number	Gearmotor Type & Frame	Ratio to 1	Arm. Volts DC	F.L. Amps DC	Overhung Load (lb.)	Dimensions (inches)		♥Notes
												XL	XH	
14	341	1/8	M1135243.00	✓	733	M34D25NZ154	P353-34	180	12	8.7	465	11.05	9.05	S, US
42	325	1/4	M1135244.00	✓	768	M34D25NZ155	P353-34	58	12	21	327	13.31	11.31	S, US
62	220	1/4	M1135245.00	✓	768	M34D25NZ156	P353-34	43	12	21	303	13.31	11.31	S, US
83	155	1/4	M1135246.00	✓	729	M34D25NZ157	P352-34	29	12	21	267	13.31	11.31	S, US

Specifications are subject to change without notice

♥ Note listing on inside back flap

PE350 SERIES - DC



ALL DIMENSIONS IN INCHES

View On-line Technical Information



Gearmotors

Parallel Shaft - P1100 Series - DC

SCR Rated - 105-1112 In-Lbs. Torque
Low Voltage - 320-1087 In-Lbs. Torque



General Specifications - SCR Rated Gearmotors:

- Performance matched for continuous duty service over 60:1 speed range
- Constant torque throughout the range when powered by a full-wave unfiltered SCR-type adjustable speed control having a typical form factor of 1.3 to 1.4

General Specifications - Low Voltage Gearmotors:

- Performance matched for continuous duty service
- Designed for battery power or can be used with a low voltage controller with form factor up to 1.05

Features:

- Rugged die cast aluminum gear housing for maximum gear and bearing support
- Precision machined gearing, hardened for maximum load capability
- All gearing designed and rated to AGMA class 9 standards, and to withstand momentary shock overload of 200%
- Oversized output bearings for greater overhung load capacity and long life
- High carbon alloy output shaft provides maximum strength and rigidity
- All needle bearing journals are precision ground after heat treating to provide maximum fit and finish
- Heavy duty industrial oil seals keep lubricant in and dirt out
- Gears and bearings are splash lubricated with permanent, heavy duty gear oil
- Conduit box included as standard

Application Notes:

- These gearmotors are designed for mounting at any angle, but motor below the reducer should be avoided to prevent leakage of lubricant into the motor should the motor shaft seal fail
- Motor's stall torque could exceed recommended full load torques. A current limiting device such as an SCR control should be used to prevent damage. This issue is even more critical for low voltage motors, typically no controller is used since motor is connected directly to a battery, so some type of current limit or fusing should be considered
- Overhung load capacities shown are at center of output shaft
- For additional information, see Bulletin 1830
- **Bison/Dayton direct interchange**

**SCR Rated - 105-1112 In-Lbs. Torque
Low Voltage - 320-1087 In-Lbs. Torque**

90 Volts - Totally Enclosed - Rigid Base - P1100 Series

Output RPM	F.L. Torque (Lb.In.)	Input HP	Catalog Number	Stock	List Price	Model Number	Gearmotor Type & Frame	Ratio to 1	Arm. Volts DC	F.L. Amps DC	Over-hung Load (lb.)	Dimensions (inches)		♥Notes
												XL	XH	
8	1087	1/4	108700.00	✓	1224	4D17NZ17	P1103-48	212	90	2.7	700	14.24	12.74	S, US
12	1030	1/4	108701.00	✓	1224	4D17NZ18	P1103-48	143	90	2.7	700	14.24	12.74	S, US
18	750	1/4	108702.00	✓	1224	4D17NZ19	P1103-48	95	90	2.7	700	14.24	12.74	S, US
42	353	1/4	108703.00	✓	1194	4D17NZ20	P1102-48	42	90	2.7	650	14.24	12.74	S, US
60	238	1/4	108704.00	✓	1194	4D17NZ21	P1102-48	29	90	2.7	625	14.24	12.74	S, US
92	160	1/4	108705.00	✓	1194	4D17NZ22	P1102-48	19	90	2.7	575	14.24	12.74	S, US
135	105	1/4	108706.00	✓	1194	4D17NZ23	P1102-48	13	90	2.7	525	14.24	12.74	S, US
18	1112	1/2	108707.00	✓	1323	4D17FZ23	P1103-48	95	90	5	700	16.49	14.99	S, US
33	822	1/2	108708.00	✓	1323	4D17FZ24	P1103-48	53	90	5	650	16.49	14.99	S, US
42	705	1/2	108709.00	✓	1298	4D17FZ25	P1102-48	42	90	5	650	16.49	14.99	S, US
60	476	1/2	108710.00	✓	1298	4D17FZ26	P1102-48	29	90	5	625	16.49	14.99	S, US
92	320	1/2	108711.00	✓	1298	4D17FZ27	P1102-48	19	90	5	575	16.49	14.99	S, US
135	210	1/2	108712.00	✓	1298	4D17FZ28	P1102-48	13	90	5	525	16.49	14.99	S, US

Specifications are subject to change without notice

♥ Note listing on inside back flap

12 Volts - Totally Enclosed - Rigid Base - P1100 Series

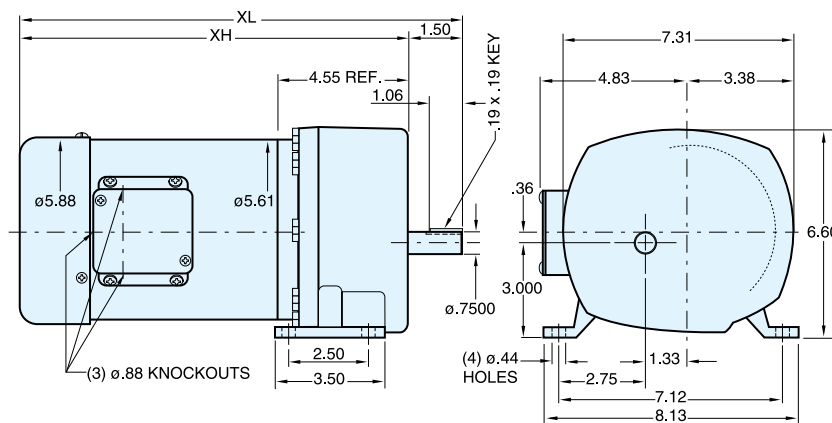
Output RPM	F.L. Torque (Lb.In.)	Input HP	Catalog Number	Stock	List Price	Model Number	Gearmotor Type & Frame	Ratio to 1	Arm. Volts DC	F.L. Amps DC	Over-hung Load (lb.)	Dimensions (inches)		♥Notes
												XL	XH	
8	1087	1/4	108729.00	C/A	1250	4D17NZ43	P1103-48	212	12	21	700	13.74	12.24	S, US
60	238	1/4	108730.00	✓	1223	4D17NZ44	P1102-48	29	12	21	625	13.74	12.24	S, US
42	705	1/2	108731.00	✓	1323	4D17FZ52	P1102-48	42	12	40	650	15.99	14.49	S, US
92	320	1/2	108732.00	C/A	1323	4D17FZ53	P1102-48	19	12	40	575	15.99	14.49	S, US

C/A - Check Availability

♥ Note listing on inside back flap

Specifications are subject to change without notice

P1100 SERIES - DC



ALL DIMENSIONS IN INCHES

View On-line Technical Information



DC Motors

Gearmotors

Ac / DC Controls

Accessories / Kits

Mods / Factory Options

X-Ref / Index

Tech Information

Terms / Warnings

Other Products

Gearmotors

Right-Angle DC Gearmotors

SCR Rated - 5-135 In-Lbs. Torque
Low Voltage - 25-135 In-Lbs. Torque



General Specifications - SCR Rated Gearmotors:

- Performance matched for continuous duty service over 60:1 speed range
- Constant torque throughout the range when powered by a full-wave unfiltered SCR-type adjustable speed control having a typical form factor of 1.3 to 1.4

General Specifications - Low Voltage Gearmotors:

- Performance matched for continuous duty service
- Designed for battery power or can be used with a low voltage controller with form factor up to 1.05

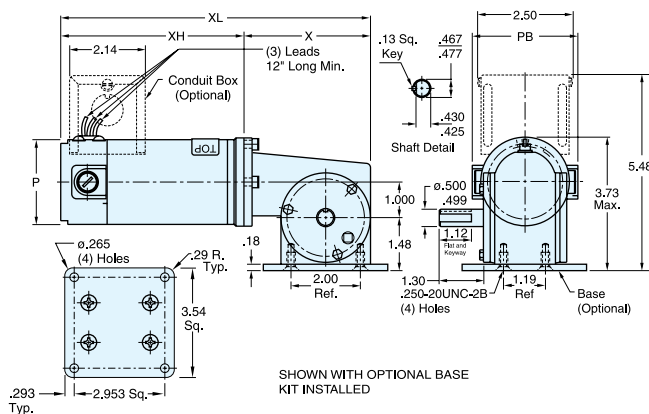
Features:

- Worm-type right-angle gearing features hardened, steel worm with bronze worm wheel for long life and quiet operation
- Precision machined aluminum gear housing
- Lubrication is permanent with an oil bath
- Gearbox has all ball bearings
- Output shaft is field interchangeable from left hand to right hand style by reassembly
- Double output shaft available as a factory option
- Optional conduit box available
- Optional gearbox base available (10 Series only)

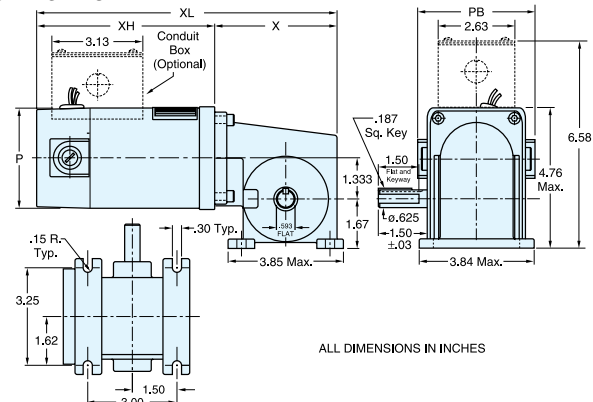
Application Notes:

- These right-angle gearmotors have a lubrication breather positioned for horizontal mounting. For other mountings, the breather plug must be reoriented by using a 90 deg 1/8" NPT taper pipe elbow (See drawing). Elbow not available from LEESON
- These gearmotors are designed for mounting at any angle, but motor below the reducer should be avoided to prevent leakage of lubricant into the motor should the motor shaft seal fail
- Overhung load capacities shown are at center of output shaft
- For additional information, see Bulletin 1830

10 SERIES - DC



13 SERIES - DC



Right-Angle DC Gearmotors

SCR Rated - 5-135 In-Lbs. Torque & Low Voltage - 25-135 In-Lbs. Torque

90 & 180 Volts - TENV - Right-Angle

Output RPM	F.L. Torque (Lb.in.)	Input HP	Catalog Number	Stock	List Price	Model Number	Gearmotor Type & Frame	Ratio to 1	Arm. Volts DC	F.L. Amps DC	Over-hung Load (lb.)	Dimensions (inches)					Notes
												P	PB	X	XL	XH	
42	22	1/17	M1115018.00	✓	556	985.504	10F60-25D	60	90	0.9	185	2.5	3	3.6	8.79	5.19	S, US
62	19	1/17	M1115019.00	✓	556	985.505	10F40-25D	40	90	.87	185	2.5	3	3.6	8.79	5.19	S, US
125	16	1/17	M1115020.00	✓	556	985.506	10F20-25D	20	90	.85	185	2.5	3	3.6	8.79	5.19	S, US
250	10	1/17	M1115021.00	✓	556	985.509	10F10-25D	10	90	1.0	185	2.5	3	3.6	8.79	5.19	S, US
500	5	1/17	M1115022.00	✓	556	985.507	10F05-25D	5	90	1.0	185	2.5	3	3.6	8.79	5.19	S, US
42	30	1/12	M1135053.00	✓	556	M34D25NZ30	13F60-34A	60	180	0.53	235	3.38	4	4.5	9.64	5.14	S, US
62	35	1/12	M1135054.00	✓	556	M34D25NZ31	13F40-34A	40	180	0.53	235	3.38	4	4.5	9.64	5.14	S, US
125	18	1/12	M1135055.00	C/A	556	CM34D25NZ32	13F20-34A	20	180	0.53	235	3.38	4	4.5	9.64	5.14	S, US
250	10	1/12	M1135056.00	C/A	556	M34D25NZ47	13F10-34A	10	180	0.53	235	3.38	4	4.5	9.64	5.14	S, US
500	5	1/12	M1135057.00	C/A	556	M34D25NZ48	13F05-34A	5	180	0.53	235	3.38	4	4.5	9.64	5.14	S, US
42	80	1/8	M1135069.00	✓	641	M34D25NZ18	13F60-34C	60	90	1.4	235	3.38	4	4.5	10.64	6.14	S, US
62	70	1/8	M1135038.00	✓	641	M34D25NZ26	13F40-34C	40	90	1.4	235	3.38	4	4.5	10.64	6.14	S, US
62	70	1/8	M1135058.00	✓	641	M34D25NZ26	13F40-34C	40	180	0.7	235	3.38	4	4.5	10.64	6.14	S, US
125	45	1/8	M1135039.00	✓	641	M34D25NZ7	13F20-34C	20	90	1.4	235	3.38	4	4.5	10.64	6.14	S, US
125	45	1/8	M1135059.00	✓	641	M34D25NZ27	13F20-34C	20	180	0.7	235	3.38	4	4.5	10.64	6.14	S, US
250	25	1/8	M1135040.00	✓	641	M34D25NZ8	13F10-34C	10	90	1.4	235	3.38	4	4.5	10.64	6.14	S, US
250	25	1/8	M1135060.00	✓	641	M34D25NZ28	13F10-34C	10	180	0.7	235	3.38	4	4.5	10.64	6.14	S, US
500	13	1/8	M1135041.00	✓	641	M34D25NZ9	13F05-34C	5	90	1.4	235	3.38	4	4.5	10.64	6.14	S, US
500	13	1/8	M1135061.00	C/A	641	M34D25NZ29	13F05-34C	5	180	0.7	235	3.38	4	4.5	10.64	6.14	S, US
62	135	1/4	M1135042.00	✓	691	M34D25NZ10	13F40-34G	40	90	2.3	235	3.38	4	4.5	12.64	8.14	S, US
62	135	1/4	M1135062.00	✓	691	M34D25NZ33	13F40-34G	40	180	1.3	235	3.38	4	4.5	12.64	8.14	S, US
83	125	1/4	M1135043.00	✓	691	M34D25NZ11	13F30-34G	30	90	2.3	235	3.38	4	4.5	12.64	8.14	S, US
83	125	1/4	M1135063.00	✓	691	M34D25NZ34	13F30-34G	30	180	1.3	235	3.38	4	4.5	12.64	8.14	S, US
125	90	1/4	M1135044.00	✓	691	M34D25NZ12	13F20-34G	20	90	2.3	235	3.38	4	4.5	12.64	8.14	S, US
125	90	1/4	M1135064.00	✓	691	M34D25NZ35	13F20-34G	20	180	1.3	235	3.38	4	4.5	12.64	8.14	S, US
250	50	1/4	M1135045.00	✓	691	M34D25NZ13	13F10-34G	10	90	2.3	235	3.38	4	4.5	12.64	8.14	S, US
250	50	1/4	M1135065.00	✓	691	M34D25NZ36	13F10-34G	10	180	1.3	235	3.38	4	4.5	12.64	8.14	S, US
500	30	1/4	M1135046.00	✓	691	M34D25NZ14	13F05-34G	5	90	2.3	235	3.38	4	4.5	12.64	8.14	S, US
500	30	1/4	M1135066.00	✓	691	M34D25NZ37	13F05-34G	5	180	1.3	235	3.38	4	4.5	12.64	8.14	S, US

C/A - Check Availability

♥ Note listing on inside back flap

Specifications are subject to change without notice

12 Volts - TENV - Right-Angle Series

Output RPM	F.L. Torque (Lb.in.)	Input HP	Catalog Number	Stock	List Price	Model Number	Gearmotor Type & Frame	Ratio to 1	Arm. Volts DC	F.L. Amps DC	Over-hung Load (lb.)	Dimensions (inches)					Notes
												P	PB	X	XL	XH	
42	80	1/8	M1135249.00	C/A	654	M34D25NZ158	13F60-34	60	12	11	235	3.38	4.21	4.5	10.39	5.89	S, US
250	25	1/8	M1135250.00	✓	654	M34D25NZ159	13F10-34	10	12	11	235	3.38	4.21	4.5	10.39	5.89	S, US
62	135	1/4	M1135251.00	✓	700	M34D25NZ160	13F40-34	40	12	21	235	3.38	4.21	4.5	12.64	8.14	S, US
125	90	1/4	M1135252.00	✓	700	M34D25NZ161	13F20-34	20	12	21	235	3.38	4.21	4.5	12.64	8.14	S, US

C/A - Check Availability

♥ Note listing on inside back flap

Specifications are subject to change without notice

View On-line Technical Information



DC Motors
Gearmotors
Ac / DC Controls
Accessories / Kits
Mods / Factory Options
X-Ref / Index
Tech Information
Terms / Warnings
Other Products

Gearmotors

Bravo™ Series 12 SUB-FHP - DC Right-Angle Gearmotors



General Specifications - SCR Rated Gearmotors:

- Performance matched for continuous duty service over 60:1 speed range
- Constant torque throughout the range when powered by a full-wave unfiltered SCR-type adjustable speed control having a typical form factor of 1.3 to 1.4

General Specifications - Low Voltage Gearmotors:

- Performance matched for continuous duty service
- Designed for battery power or can be used with a low voltage controller with form factor up to 1.05

Features:

- Worm-type right-angle gearing features hardened, steel worm with bronze worm wheel for long life and quiet operation
- Single piece die cast aluminum alloy housing is vacuum impregnated with Resinon RT for protection and sealing
- Light weight gearbox combines high tensile strength along with being precision machined for alignment of bearings and gearing
- High temperature Nitrile seals for optimum seal life
- Gearbox provided with solid output shaft, but can be converted to a hollow output shaft. Simply remove the solid shaft by removing the Snap rings
- T-base feet provided are removable to convert to face mounting
- Optional conduit box available

DC Motors

Gearmotors

AC / DC Controls

Accessories / Kits

Mods / Factory
Options

X-Ref / Index

Tech. Information

Terms / Warnings

Other Products

**Bravo™ Series 12 SUB-FHP - DC
Right-Angle Gearmotors**

90 Volts - Totally Enclosed - Right-Angle

Output RPM	F.L. Torque (Lb.In.)	Input HP	Catalog Number	Stock	List Price	Model Number	Enclosure	Gearmotor Type & Frame	Ratio to 1	Full Arm. Volts DC	Load Amps. DC	♥Notes
28	125	1/8	M1135292.00	✓	655	M34D17NZ31	TENV	12B60-34D	61	90	1.6	S, US, 12
45	87	1/8	M1135291.00	C/A	655	M34D17NZ30	TENV	12B39-34D	39	90	1.6	S, US, 12
58	158	1/4	M1135290.00	✓	692	M34D17FZ7	TEFC	12B30-34G	30	90	2.8	S, US, 13
90	100	1/4	M1135289.00	✓	692	M34D17FZ6	TEFC	12B19-34G	19	90	2.6	S, US, 13
115	85	1/4	M1135288.00	C/A	692	M34D17FZ5	TEFC	12B15-34G	15	90	2.6	S, US, 13
167	61	1/4	M1135287.00	✓	692	M34D17FZ4	TEFC	12B11-34G	10.6	90	2.6	S, US, 13
250	46	1/4	M1135286.00	✓	692	M34D17FZ3	TEFC	12B7-34G	7	90	2.6	S, US, 13

C/A - Check Availability

♥ Note listing on inside back flap

Specifications are subject to change without notice

12 Volt - TENV - Right-Angle

Output RPM	F.L. Torque (Lb.In.)	Input HP	Catalog Number	Stock	List Price	Model Number	Enclosure	Gearmotor Type & Frame	Ratio to 1	Full Arm. Volts DC	Load Amps. DC	♥Notes
27	134	1/8	M1135285.00	C/A	681	M34D17NZ29	TENV	12B60-34C	61	12	14	S, US
45	94	1/8	M1135284.00	✓	681	M34D17NZ28	TENV	12B39-34C	39	12	15	S, US
58	158	1/4	M1135297.00	C/A	713	M34D17NZ36	TENV	12B30-34F	30	12	24	S, US
90	100	1/4	M1135296.00	C/A	713	M34D17NZ35	TENV	12B19-34F	19	12	24	S, US
115	85	1/4	M1135295.00	✓	713	M34D17NZ34	TENV	12B15-34F	15	12	23	S, US
167	61	1/4	M1135294.00	C/A	713	M34D17NZ33	TENV	12B11-34F	10.6	12	21	S, US
250	46	1/4	M1135293.00	C/A	713	M34D17NZ32	TENV	12B7-34F	7	12	23	S, US

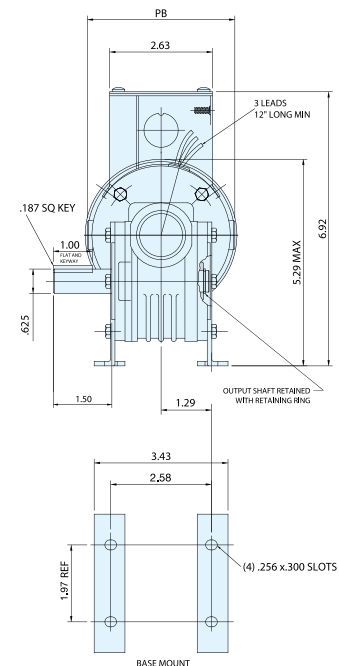
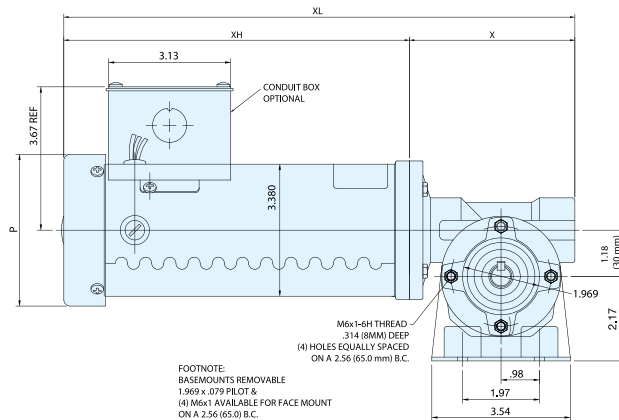
C/A - Check Availability

♥ Note listing on inside back flap

Specifications are subject to change without notice

Notes:

- 1 Conduit box not supplied with the gearmotor. Mounting provisions are provided and can use conduit box kit catalog number M1760007 found on page 179.
- 2 For solid double output shaft, consult factory.



SCR 90 Volt Rated (IN)

P	X	XL	XH	PB
3.38	4.32	11.07	6.75	4.00
3.38	4.32	11.07	6.75	4.00
3.88	4.32	13.16	8.84	3.76
3.88	4.32	13.16	8.84	3.76
3.88	4.32	13.16	8.84	3.76
3.88	4.32	13.16	8.84	3.76
3.88	4.32	13.16	8.84	3.76
3.88	4.32	13.16	8.84	3.76

Low Voltage 12V (IN)

P	X	XL	XH	PB
3.38	4.32	10.57	6.25	4.21
3.38	4.32	10.57	6.25	4.21
3.38	4.32	11.82	7.5	4.21
3.38	4.32	11.82	7.5	4.21
3.38	4.32	11.82	7.5	4.21
3.38	4.32	11.82	7.5	4.21
3.38	4.32	11.82	7.5	4.21
3.38	4.32	11.82	7.5	4.21

View On-line Technical Information



DC Motors

Gearmotors

Ac / DC Controls

Accessories / Kits

Mods / Factory Options

X-Ref / Index

Tech Information

Terms / Warnings

Other Products

Gearmotors

IP55 Washguard Gearmotors - P300 Series - DC

General Specifications - SCR Rated Gearmotors:

- Performance matched for continuous duty service over 60:1 speed range
- Constant torque throughout the range when powered by a full-wave unfiltered SCR-type adjustable speed control having a typical form factor of 1.3 to 1.4

General Specifications - Low Voltage Gearmotors:

- Performance matched for continuous duty service
- Designed for battery power or can be used with a low voltage controller with form factor up to 1.05

Features:

- Gearbox output shafts are coated with Mirolon 3300 fortified Teflon for superior corrosion resistance
- Frame, endshields, armature and interior components protected by enamel and polyester compounds for resistance to moisture, acids, alkalies and oil
- Precision machined in-line steel gears
- First stage steel helical gear followed by spur-type gears
- Lubrication is permanent semi-fluid grease, reducing possibility of leakage
- Output shafts have needle bearings for high load capacities
- Gearbox Shafts are hardened steel
- Cast conduit box with threaded conduit holes and Nitrile gaskets keep water out
- Conduit box cover is made from 304 stainless steel
- For any condensation that may accumulate inside the motor, a one-way stainless steel vapor vent is provided
- All hardware is stainless steel
- Painted with white epoxy for superior corrosion resistance and protection
- Machined fits between the endbells and motor frame are sealed with gaskets
- Thru-bolt heads and nuts sealed with fiber washers
- O-rings under each threaded brush cover

Application Notes:

- Extended life in wet, high humidity applications
- Design repels water from entering motor
- Internal components protected against rust and corrosion
- These gearmotors are designed for mounting at any angle, but motor below the reducer should be avoided to prevent leakage of lubricant into the motor should the motor shaft seal fail
- Overhung load capacities shown are at center of output shaft
- Motor's stall torque could exceed recommended full load torques. A current limiting device such as an SCR control should be used to prevent damage. This issue is even more critical for low voltage motors, typically no controller is used since motor is connected directly to a battery, so some type of current limit or fusing should be considered
- USDA Approved white epoxy finish
- **Bison/Dayton direct interchange**

IP55 Washguard Gearmotors - P300 Series - DC



90 Volts - TENV - P300 Series

Output RPM	F.L. Torque (Lb.in.)	Input HP	Catalog Number	Stock	List Price	Model Number	Gearmotor Type & Frame	Ratio to 1	Arm. Volts DC	F.L. Amps DC	Over-hung Load (lb.)	Dimensions (inches)					Notes
												P	PB	X	XL	XH	
5	353	1/20	M1125261.00	✓	825	M31D17VZ5	P303-31	336	90	0.81	565	3.13	3.8	3.54	10.44	8.94	S, US
31	220	1/8	M1125262.00	✓	848	M31D17VZ6	P303-31	58	90	1.6	327	3.13	3.8	3.54	11.94	10.44	S, US
51	130	1/8	M1125263.00	✓	784	M31D17VZ7	P302-31	35	90	1.6	277	3.13	3.8	3.54	11.94	10.44	S, US
94	77	1/8	M1125264.00	✓	784	M31D17VZ8	P302-31	19	90	1.6	236	3.13	3.8	3.54	11.94	10.44	S, US
167	43	1/8	M1125265.00	✓	784	M31D17VZ9	P302-31	11	90	1.6	197	3.13	3.8	3.54	11.94	10.44	S, US

C/A - Check Availability

♥ Note listing on inside back flap

Specifications are subject to change without notice

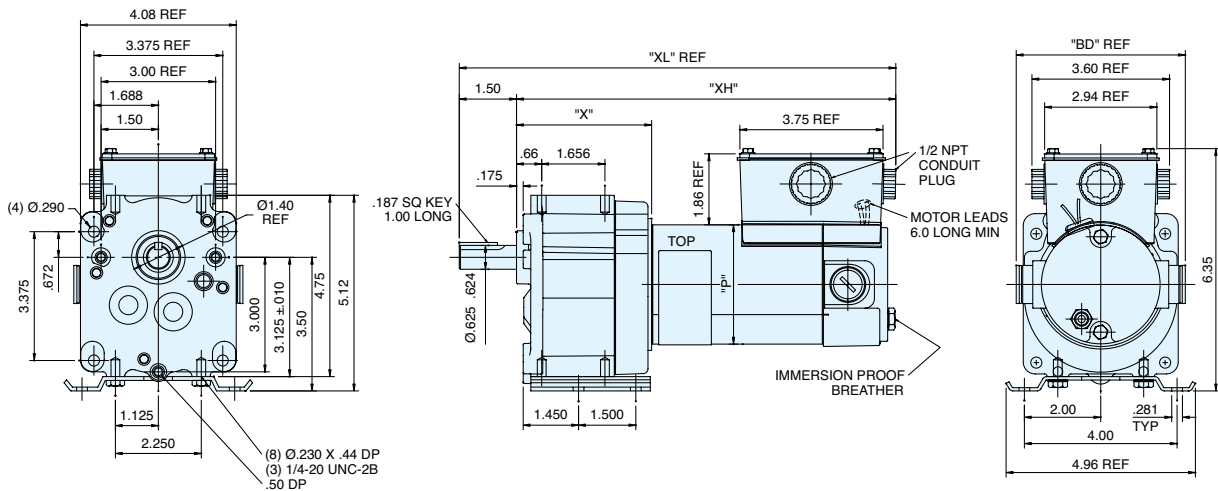
12 Volts - TENV - P300 Series

Output RPM	F.L. Torque (Lb.in.)	Input HP	Catalog Number	Stock	List Price	Model Number	Gearmotor Type & Frame	Ratio to 1	Arm. Volts DC	F.L. Amps DC	Over-hung Load (lb.)	Dimensions (inches)					Notes
												P	PB	X	XL	XH	
5	353	1/20	M1125266.00	✓	848	M31D17VZ10	P303-31	336	12	6.4	565	3.13	3.8	3.54	10.44	8.94	S, US
31	220	1/8	M1125267.00	✓	869	M31D17VZ11	P303-31	58	12	11	327	3.13	4.43	3.54	11.44	9.94	S, US

C/A - Check Availability

♥ Note listing on inside back flap

Specifications are subject to change without notice



DC Motors

Gearmotors

Ac / DC Controls

Accessories / Kits

Mods / Factory Options

X-Ref / Index

Tech Information

Terms / Warnings

Other Products

Gearmotors

IP55 Washguard Gearmotors - PE350 - DC

General Specifications - SCR Rated Gearmotors:

- Performance matched for continuous duty service over 60:1 speed range
- Constant torque throughout the range when powered by a full-wave unfiltered SCR-type adjustable speed control having a typical form factor of 1.3 to 1.4

General Specifications - Low Voltage Gearmotors:

- Performance matched for continuous duty service
- Designed for battery power or can be used with a low voltage controller with form factor up to 1.05

Features:

- Gearbox output shafts are coated with Mirolon 3300 fortified Teflon for superior corrosion resistance
- Frame, endshields, armature and interior components protected by enamel and polyester compounds for resistance to moisture, acids, alkalies and oil
- Precision machined in-line steel gears
- First stage steel helical gear followed by spur-type gears
- Lubrication is permanent semi-fluid grease, reducing possibility of leakage
- Output shafts have needle bearings for high load capacities
- Gearbox Shafts are hardened steel
- Cast conduit box with threaded conduit holes and Nitrile gaskets keep water out
- Conduit box cover is made from 304 stainless steel
- For any condensation that may accumulate inside the motor, a one-way stainless steel vapor vent is provided
- All hardware is stainless steel
- Painted with white epoxy for superior corrosion resistance and protection
- Machined fits between the endbells and motor frame are sealed with gaskets
- Thru-bolt heads and nuts sealed with fiber washers
- O-rings under each threaded brush cover

Application Notes:

- Extended life in wet, high humidity applications
- Design repels water from entering motor
- Internal components protected against rust and corrosion
- These gearmotors are designed for mounting at any angle, but motor below the reducer should be avoided to prevent leakage of lubricant into the motor should the motor shaft seal fail
- Overhung load capacities shown are at center of output shaft
- Motor's stall torque could exceed recommended full load torques. A current limiting device such as an SCR control should be used to prevent damage. This issue is even more critical for low voltage motors, typically no controller is used since motor is connected directly to a battery, so some type of current limit or fusing should be considered
- USDA Approved white epoxy finish
- **Bodine/Baldor direct interchange**

Gearmotors

IP55 Washguard Gearmotors - Right Angle - DC

General Specifications - SCR Rated Gearmotors:

- Performance matched for continuous duty service over 60:1 speed range
- Constant torque throughout the range when powered by a full-wave unfiltered SCR-type adjustable speed control having a typical form factor of 1.3 to 1.4

General Specifications - Low Voltage Gearmotors:

- Performance matched for continuous duty service
- Designed for battery power or can be used with a low voltage controller with form factor up to 1.05

Features:

- 303 Stainless Steel gearbox output shaft
- Frame, endshields, armature and interior components protected by enamel and polyester compounds for resistance to moisture, acids, alkalies and oil
- Cast conduit box with threaded conduit holes and Nitrile gaskets keep water out
- Conduit box cover is made from 304 stainless steel
- For any condensation that may accumulate inside the motor, a one-way stainless steel vapor vent is provided
- All hardware is stainless steel
- Painted with white epoxy for superior corrosion resistance and protection
- Machined fits between the endbells and motor frame are sealed with gaskets
- Thru-bolt heads and nuts sealed with fiber washers
- O-rings under each threaded brush cover
- Worm-type right-angle gearing features hardened, steel worm with bronze worm wheel for long life and quiet operation
- Precision machined aluminum gear housing
- Lubrication is permanent with an oil bath
- Gearbox has all ball bearings
- Output shaft is field interchangeable from left hand to right hand style by reassembly
- Double output shaft available as a factory option

Application Notes:

- These right-angle gearmotors have a lubrication breather positioned for horizontal mounting. For other mountings, the breather plug must be reoriented by using a 90 deg 1/8" NPT taper pipe elbow (See drawing). Elbow not available from LEESON
- These gearmotors are designed for mounting at any angle, but motor below the reducer should be avoided to prevent leakage of lubricant into the motor should the motor shaft seal fail
- Overhung load capacities shown are at center of output shaft
- For additional information, see Bulletin 1830

IP55 Washguard Gearmotors - Right Angle - DC



90 Volt - TENV - Right-Angle

Output RPM	F.L. Torque (Lb.In.)	Input HP	Catalog Number	Stock	List Price	Model Number	Gearmotor Type & Frame	Ratio to 1	Arm. Volts DC	F.L. Amps DC	Overhung Load (lb.)	Dimensions (inches)					♥Notes
												P	PB	X	XL	XH	
42	80	1/8	M1125275.00	✓	854	M31D25VZ3	13F60-31	60	90	2.2	235	3.13	3.8	4.5	10.86	6.36	S, US
250	25	1/8	M1125276.00	✓	854	M31D25VZ4	13F10-31	10	90	2.2	235	3.13	3.8	4.5	10.86	6.36	S, US
62	135	1/4	M1125277.00	✓	861	M32D25VZ6	13F40-32	40	90	3.7	235	3.25	3.8	4.5	12.86	8.36	S, US
125	90	1/4	M1125278.00	✓	861	M32D25VZ7	13F20-32	20	90	3.7	235	3.25	3.8	4.5	12.86	8.36	S, US
250	50	1/4	M1125279.00	✓	861	M32D25VZ8	13F10-32	10	90	3.7	235	3.25	3.8	4.5	12.86	8.36	S, US

Specifications are subject to change without notice

♥ Note listing on inside back flap

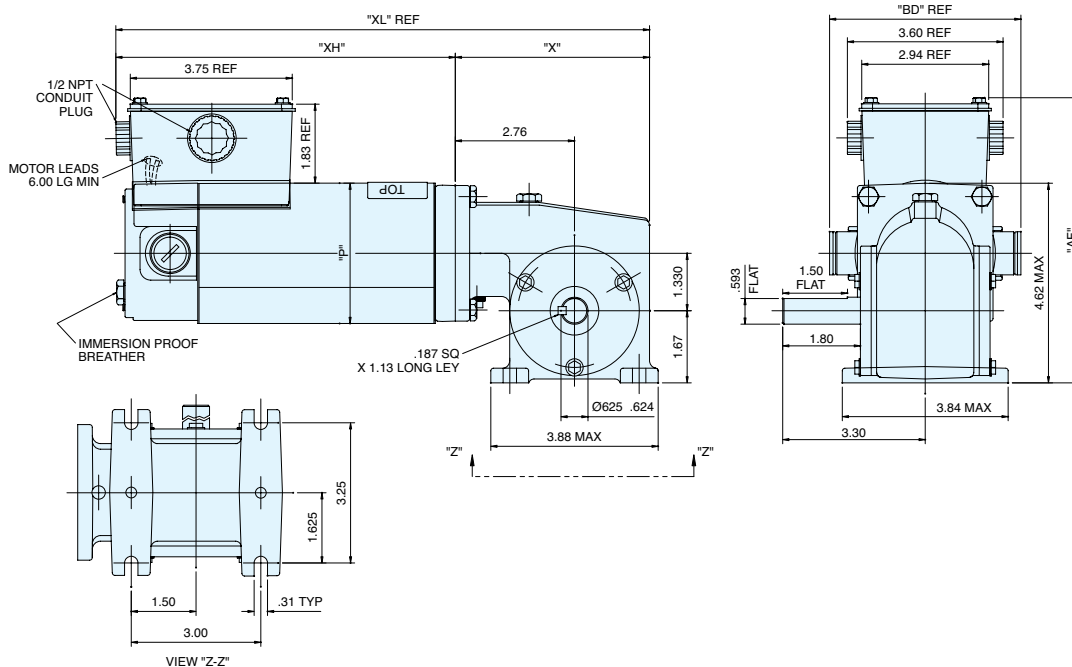
12 Volts - TENV - Right-Angle

Output RPM	F.L. Torque (Lb.In.)	Input HP	Catalog Number	Stock	List Price	Model Number	Gearmotor Type & Frame	Ratio to 1	Arm. Volts DC	F.L. Amps DC	Overhung Load (lb.)	Dimensions (inches)					♥Notes
												P	PB	X	XL	XH	
62	135	1/4	M1125280.00	✓	818	M32D25VZ9	13F40-32	40	12	28	235	3.25	4.43	4.5	12.36	7.86	S, US
125	90	1/4	M1125281.00	✓	818	M32D25VZ10	13F20-32	20	12	28	235	3.25	4.43	4.5	12.36	7.86	S, US

Specifications are subject to change without notice

♥ Note listing on inside back flap

13 SERIES - DC



DC Motors

Gearmotors

Ac / DC Controls

Accessories / Kits

Mods / Factory Options

X-Ref / Index

Tech Information

Terms / Warnings

Other Products

Gearmotors

Parallel Shaft - SUB-FHP - AC Gearmotors

12-100 In-Lbs. Output Torque



Features:

- Permanent split capacitor design rated for 115VAC 60 HZ input
- Precision machined in-line steel gears
- First stage steel helical gear followed by spur-type gears
- Lubrication is permanent semi-fluid grease, reducing possibility of leakage
- Output shafts have needle bearings for high load capacities
- Shafts are hardened steel
- Optional conduit box and PZ gearmotor mounting bracket available

Application Notes:

- These gearmotors are designed for mounting at any angle, but motor below the reducer should be avoided to prevent leakage of lubricant into the motor should the motor shaft seal fail
- The motor's stall torque could exceed recommended full load torques causing gearhead damage, especially in ratios of 60:1 and higher. Provisions to limit the torque are recommended
- The torque values listed are the recommended full load torque values
- Overhung load capacities shown are at center of output shaft
- Boehm, Bison 100 gearmotors, and a number of Dayton gearmotors
- For additional information, see Bulletin 1830
- All PZ Series gearmotors are supplied with continuous duty "run" capacitor
- Optional conduit box available
- For additional information, see Bulletin 1830
- **Bodine/Bison/Dayton direct interchange**

DC Motors

Gearmotors

AC / DC Controls

Accessories / Kits

Mods / Factory Options

X-Ref / Index

Tech. Information

Terms / Warnings

Other Products

DC Motors
Gearmotors
Ac / DC Controls
Accessories / Kits
Mods / Factory Options
X-Ref / Index
Tech Information
Terms / Warnings
Other Products

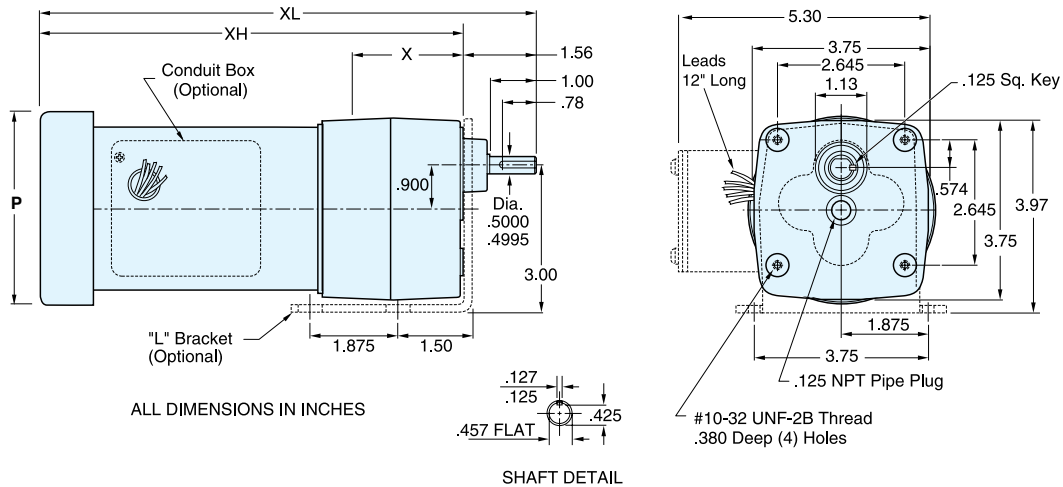
115 Volts - TEFC - Single Phase

Output RPM	F.L. Torque (Lb.In.)	Input HP	Catalog Number	Stock	List Price	Model Number	Gearmotor Type & Frame	Ratio to 1	F.L. Amps 115	Over-hung Load (lb.)	Dimensions (inches)				Capacitor Mfd. 240 VAC	♥Notes
											P	X	XL	XH		
2	100	1/150	M1125050.00	√	517	M31P17NZ1	PZ5-31	900	0.4	155	3.07	3.23	8.71	7.15	3	S, US, 12
9	100	1/15	M1125127.00	√	517	M31P17FZ1	PZ4-31	180	0.9	155	3.88	3.23	10.42	8.86	10	S, US, 13
19	100	1/15	M1125128.00	√	517	M31P17FZ2	PZ4-31	90	0.9	155	3.88	3.23	10.42	8.86	10	S, US, 13
28	100	1/15	M1125129.00	√	517	M31P17FZ3	PZ3-31	60	0.9	155	3.88	2.43	9.62	8.06	10	S, US, 13
57	56	1/15	M1125130.00	√	497	M31P17FZ4	PZ3-31	30	0.9	171	3.88	2.43	9.62	8.06	10	S, US, 13
94	36	1/15	M1125131.00	√	497	M31P17FZ5	PZ3-31	18	0.9	171	3.88	2.43	9.62	8.06	10	S, US, 13
142	24	1/15	M1125132.00	√	481	M31P17FZ6	PZ2-31	12	0.9	180	3.88	2.13	9.32	7.76	10	S, US, 13
283	12	1/15	M1125133.00	√	481	M31P17FZ7	PZ2-31	6	0.9	180	3.88	2.13	9.32	7.76	10	S, US, 13

Specifications are subject to change without notice

♥ Note listing on inside back flap

PZ SERIES - AC



View On-line Technical Information



Gearmotors

P240 Series - SUB-FHP - AC Gearmotors Output Torque - 43-391 In-Lbs.



Features:

- Permanent split capacitor design rated for 115/230VAC 60/50 HZ input
- Precision machined in-line steel gears
- First stage steel helical gear followed by spur-type gears
- Lubrication is permanent semi-fluid grease, reducing possibility of leakage
- Output shafts have needle bearings for high load capacities
- Shafts are hardened steel
- Optional conduit box available

Application Notes:

- These gearmotors are designed for mounting at any angle, but motor below the reducer should be avoided to prevent leakage of lubricant into the motor should the motor shaft seal fail
- The motor's stall torque could exceed recommended full load torques causing gearhead damage, especially in ratios of 60:1 and higher. Provisions to limit the torque are recommended
- Overhung load capacities shown are at center of output shaft
- All P240 Series gearmotors are supplied with continuous duty "run" capacitor
- For additional information, see Bulletin 1830
- **Bison/Dayton direct interchange**

P240 Series - SUB-FHP - AC Gearmotors
Output Torque - 43-391 In-Lbs.

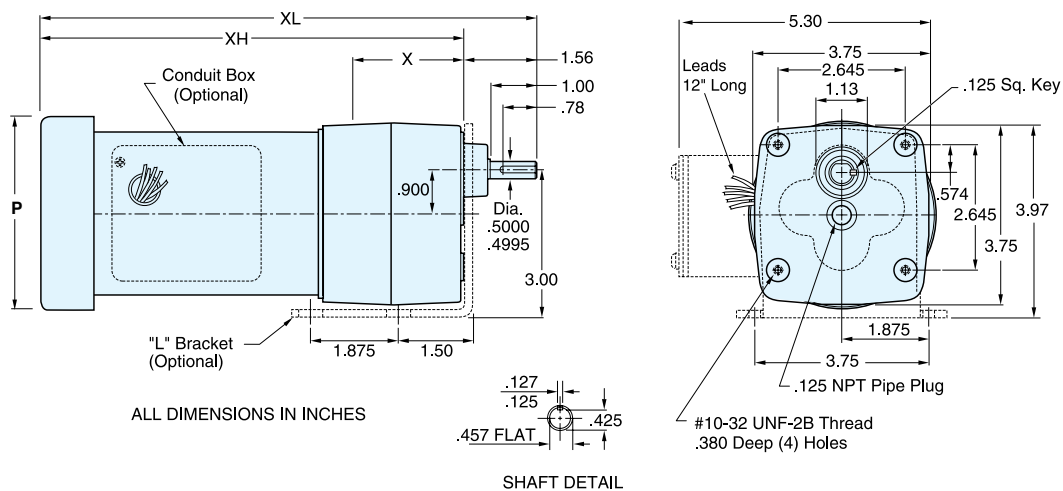
Single Phase - 115/230 Volts - Totally Enclosed - P240 Series

Output RPM	F.L. Torque (Lb.In.)	Input HP	Catalog Number	Stock	List Price	Model Number	Gearmotor Type & Frame	Ratio to 1	F.L. Amps 115	Over-hung Load (lb.)	Dimensions (inches)				Capacitor Mfd. 240 VAC	♥ Notes
											P	X	XL	XH		
8	345	1/15	M1145029.00	√	772	M38P17NZ26	P243-38D	216	1	491	3.85	3.5	10.46	8.96	7.5	S, US, 13
15	250	1/15	M1145023.00	√	772	M38P17NZ20	P243-38D	114	1	407	3.85	3.5	10.46	8.96	7.5	S, US, 13
16	391	1/6	M1145030.00	√	839	M38P17FZ9	P243-38F	103	2.1	399	4.43	3.5	12.13	10.63	15	S, US, 12
30	135	1/15	M1145024.00	√	702	M38P17NZ21	P242-38D	52	1	330	3.85	3.5	10.46	8.96	7.5	S, US, 13
30	295	1/6	M1145031.00	√	839	M38P17FZ10	P243-38F	58	2.1	330	4.43	3.5	12.13	10.63	15	S, US, 12
40	219	1/6	M1145032.00	√	839	M38P17FZ11	P243-38F	43	2.1	303	4.43	3.5	12.13	10.63	15	S, US, 12
45	92	1/15	M1145025.00	√	702	M38P17NZ22	P242-38D	35	1	292	3.85	3.5	10.46	8.96	7.5	S, US, 13
60	157	1/6	M1145033.00	√	769	M38P17FZ12	P242-38D	29	2.1	268	4.43	3.5	12.13	10.63	15	S, US, 12
70	61	1/15	M1145026.00	√	702	M38P17NZ23	P242-38D	23	1	256	3.85	3.5	10.46	8.96	7.5	S, US, 13
90	103	1/6	M1145034.00	√	769	M38P17FZ13	P242-38D	19	2.1	237	4.43	3.5	12.13	10.63	15	S, US, 12
97	43	1/15	M1145027.00	√	702	M38P17NZ24	P242-38D	16.5	1	232	3.85	3.5	10.46	8.96	7.5	S, US, 13
139	30	1/15	M1145028.00	√	702	M38P17NZ25	P242-38D	11.5	1	208	3.85	3.5	10.46	8.96	7.5	S, US, 13
156	60	1/6	M1145035.00	√	769	M38P17FZ14	P242-38D	10.6	2.1	201	4.43	3.5	12.13	10.63	15	S, US, 12

Specifications are subject to change without notice

♥ Note listing on inside back flap

PZ SERIES - AC



View On-line Technical Information



DC Motors

Gearmotors

Ac / DC Controls

Accessories / Kits

Mods / Factory Options

X-Ref / Index

Tech Information

Terms / Warnings

Other Products

Gearmotors

P240 Series - SUB-FHP - AC Gearmotors

IP55 AC Washguard Gearmotors



General Specifications - SCR Rated Gearmotors:

Single and Three-phase washdown duty gearmotors rated for continuous duty applications. Permanent split designed single-phase motors include capacitor in conduit box. Motors are designed for extended life in applications requiring regular washdown or otherwise wet environments. Avoid shaft up applications, with motor below, should shaft seal fail.

Features:

- 304 Stainless steel external shafts
- White epoxy painted motors
- O-rings and gaskets used for sealing
- Hardened Worm-type gearing used
- Interior components protected against corrosion
- Ball bearings used in gear housing
- Sealed output shafts
- Output shafts have needle bearings for high load capacities
- UL listed and CSA certified

DC Motors

Gearmotors

AC / DC Controls

Accessories / Kits

Mods / Factory Options

X-Ref / Index

Tech. Information

Terms / Warnings

Other Products

- DC Motors
- Gearmotors**
- Ac / DC Controls
- Accessories / Kits
- Mods / Factory Options
- X-Ref / Index
- Tech Information
- Terms / Warnings
- Other Products

115/230 Volts - 1 & 3-Phase - TEFC - P240 Series

Output RPM	F.L. Torque (Lb.In.)	Input HP	Catalog Number	Stock	List Price	Model Number	Gearmotor Type & Frame	Ratio to 1	Voltage	F.L. Amps 230 V	Phase	♥Notes
16	391	5/32	M1145138.00	✓	880	M38P17FZ39	P240	103	115/230	1.05	1	S, US
40	219	5/32	M1145139.00	✓	880	M38P17FZ40	P240	43	115/230	1.0	1	S, US
156	60	5/32	M1145140.00	✓	807	M38P17FZ41	P240	10.6	115/230	1.0	1	S, US
16	391	1/6	M1145144.00	✓	880	M38T17FZ20	P240	103	230	.72	3	S, US
30	295	1/6	M1145145.00	✓	880	M38T17FZ21	P240	58	230	.72	3	S, US

Specifications are subject to change without notice

♥ Note listing on inside back flap



Gearmotors

PE350 Series - Parallel Shaft - AC Gearmotors

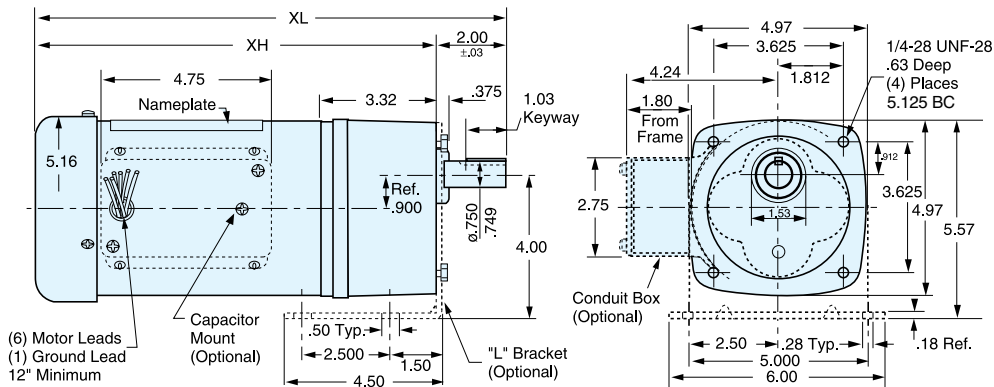
Output Torque - 25-341 In-Lbs



Features:

- All rated for 60/50 Hz operation except hi-torque single-phase which are 60 Hz only
- Rugged die cast aluminum gear housing for maximum gear and bearing support
- Precision machined gearing, hardened for maximum load capability
- All gearing designed and rated to AGMA class 9 standards, and to withstand momentary shock overload of 200%
- Oversized output bearings for greater overhung load capacity and long life
- High carbon alloy output shaft provides maximum strength and rigidity
- All needle bearing journals are precision ground after heat treating to provide maximum fit and finish
- Heavy duty industrial oil seals keep lubricant in and dirt out
- Gears and bearings are splash lubricated with permanent, heavy duty gear oil
- Run capacitor supplied at no additional cost for single phase designs
- Three phase and hi-torque single phase models include conduit box, other single phase models do not
- These gearmotors are designed for mounting at any angle, but motor below the reducer should be avoided to prevent leakage of lubricant into the motor should the motor shaft seal fail
- Overhung load capacities shown are at center of output shaft
- Optional conduit box available
- **Bodine/Baldor/Boehm direct interchange**

PE350 SINGLE PHASE



Single Phase - 115/230 Volts - TEFC - PE350 Series - Parallel Shaft

Output RPM	F.L. Torque (Lb.In.)	Input HP	Catalog Number	Stock	List Price	Model Number	Gearmotor Type & Frame	Ratio to 1	F.L. Amps 115	Over-hung Load (lb.)	Dimensions (inches)		Capacitor Mfd. 240 VAC	Notes
											XL	XH		
5	310	1/12	096000.00	✓	735	42P17NZ1	PE353-42	336	1.3	565	11.36	9.36	10	S, US, 12
9	341	1/12	096001.00	✓	735	42P17NZ2	PE353-42	180	1.3	491	11.36	9.36	10	S, US, 12
14	330	1/12	096002.00	✓	735	42P17NZ3	PE353-42	124	1.3	459	11.36	9.36	10	S, US, 12
19	250	1/12	096003.00	✓	735	42P17NZ4	PE353-42	91	1.3	374	11.36	9.36	10	S, US, 12
29	270	1/6	096004.00	✓	772	42P17FZ1	PE353-42	58	3.2	327	13.32	11.32	15	S, US, 13
34	250	1/6	096005.00	✓	772	42P17FZ2	PE353-42	50	3.2	330	13.32	11.32	15	S, US, 13
40	180	1/6	096006.00	✓	772	42P17FZ3	PE353-42	43	3.2	303	13.32	11.32	15	S, US, 13
59	135	1/6	096007.00	✓	730	42P17FZ4	PE352-42	29	3.2	267	13.32	11.32	15	S, US, 13
75	90	1/6	096008.00	✓	730	42P17FZ5	PE352-42	23	3.2	256	13.32	11.32	15	S, US, 13
113	68	1/6	096009.00	✓	730	42P17FZ6	PE352-42	15	3.2	222	13.32	11.32	15	S, US, 13
160	45	1/6	096010.00	✓	730	42P17FZ7	PE352-42	10	3.2	196	13.32	11.32	15	S, US, 13
340	25	1/6	096011.00	✓	730	42P17FZ8	PE352-42	5	3.2	190	13.32	11.32	15	S, US, 13
Hi-Torque Single Phase PE350 Gearmotors With Capacitor Start Motors														
58	320	1/3	096049.00	✓	855	42C17FZ4	PE353-42	30	7.2	300	14.56	12.56	...	S, US, 13
85	218	1/3	096050.00	✓	803	42C17FZ5	PE353-42	20	7.2	300	14.56	12.56	...	S, US, 13
173	109	1/3	096051.00	✓	803	42C17FZ6	PE353-42	10	7.2	300	14.56	12.56	...	S, US, 13
345	55	1/3	096052.00	✓	803	42C17FZ7	PE353-42	5	7.2	300	14.56	12.56	...	S, US, 13

Specifications are subject to change without notice

♥ Note listing on inside back flap

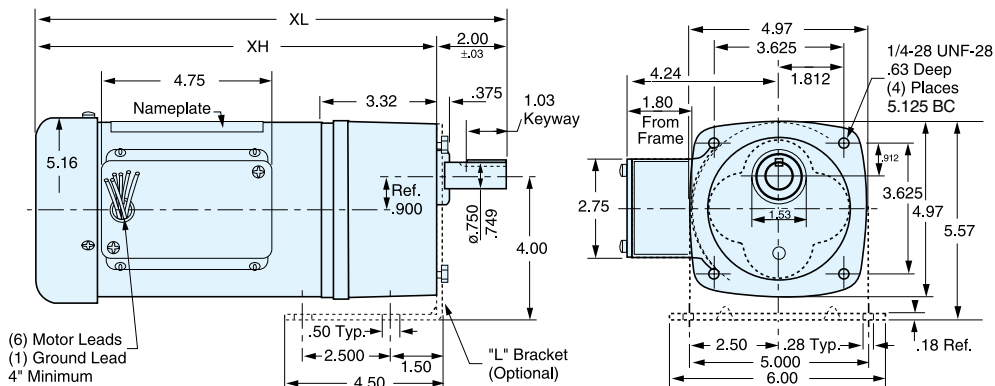
Three Phase - 230/460 Volt - PE350 Series - Parallel Shaft - TEFC

Output RPM	F.L. Torque (Lb.In.)	Input HP	Catalog Number	Stock	List Price	Model Number	Gearmotor Type & Frame	Ratio to 1	F.L. Amps 115	Over-hung Load (lb.)	Dimensions (inches)		Capacitor Mfd. 240 VAC	Notes
											XL	XH		
58	320	1/3	096013.00	✓	849	42T17FZ14	PE353-42	30	1.6	300	13.81	11.81	S, US	S, US, 12
85	218	1/3	096014.00	✓	797	42T17FZ15	PE352-42	20	1.6	300	13.81	11.81	S, US	S, US, 12
173	109	1/3	096015.00	✓	797	42T17FZ16	PE352-42	10	1.6	300	13.81	11.81	S, US	S, US, 12
345	55	1/3	096016.00	✓	797	42T17FZ17	PE352-42	5	1.6	300	13.81	11.81	S, US	S, US, 12

Specifications are subject to change without notice

♥ Note listing on inside back flap

PE350 THREE PHASE



View On-line Technical Information



DC Motors

Gearmotors

Ac / DC Controls

Accessories / Kits

Molds / Factory Options

X-Ref / Index

Tech Information

Terms / Warnings

Other Products

Gearmotors

P1100 Series - AC Gearmotors - Parallel Shaft

Output Torque - 70-1105 In-Lbs

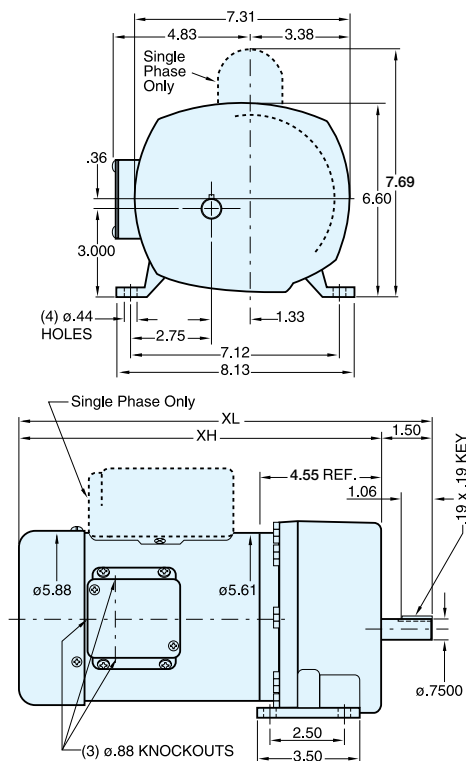


Features:

- Permanent split capacitor design rated for 115/230VAC 60/50 HZ input
- Rugged die cast aluminum gear housing for maximum gear and bearing support
- Precision machined gearing, hardened for maximum load capability
- All gearing designed and rated to AGMA class 9 standards, and to withstand momentary shock overload of 200%
- Oversized output bearings for greater overhung load capacity and long life
- High carbon alloy output shaft provides maximum strength and rigidity
- All needle bearing journals are precision ground after heat treating to provide maximum fit and finish
- Heavy duty industrial oil seals keep lubricant in and dirt out
- Gears and bearings are splash lubricated with permanent, heavy duty gear oil
- Conduit box included as standard

Application Notes:

- These gearmotors are designed for mounting at any angle, but motor below the reducer should be avoided to prevent leakage of lubricant into the motor should the motor shaft seal fail
- Overhung load capacities shown are at center of output shaft
- For additional information, see Bulletin 1830
- **Bison/Dayton direct interchange**



Single Phase - 115/230 Volt - TEFC - P1100 Series

Output RPM	F.L. Torque (Lb.In.)	Input HP	Catalog Number	Stock	List Price	Model Number	Gearmotor Type & Frame	Ratio to 1	F.L. Amps 115	Over-hung Load (lb.)	Dimensions (inches)		♥Notes
											XL	XH	
8	975	1/4	107000.00	√	1037	4C17FZ25	P1103-48	212	5.4	700	13.42	11.92	S, US
12	1030	1/4	107004.00	√	1037	4C17FZ29	P1103-48	143	5.4	700	13.42	11.92	S, US
18	800	1/4	107003.00	√	1037	4C17FZ28	P1103-48	95	5.4	700	13.42	11.92	S, US
26	569	1/4	107002.00	√	1037	4C17FZ27	P1103-48	66	5.4	650	13.42	11.92	S, US
59	248	1/4	107005.00	√	1014	4C17FZ30	P1102-48	29	5.4	625	13.42	11.92	S, US
133	114	1/4	107001.00	√	1014	4C17FZ26	P1102-48	13	5.4	525	13.42	11.92	S, US
18	1089	1/3	107006.00	√	1049	4C17FZ31	P1103-48	95	6.2	700	13.67	13.17	S, US
26	752	1/3	107012.00	√	1049	4C17FZ37	P1103-48	66	6.2	650	13.67	13.17	S, US
41	461	1/3	107011.00	√	1027	4C17FZ36	P1102-48	42	6.2	650	13.67	13.17	S, US
59	330	1/3	107010.00	√	1027	4C17FZ35	P1102-48	29	6.2	625	13.67	13.17	S, US
91	224	1/3	107009.00	√	1027	4C17FZ34	P1102-48	19	6.2	575	13.67	13.17	S, US
157	125	1/3	107008.00	√	1027	4C17FZ33	P1102-48	11	6.2	500	13.67	13.17	S, US
288	70	1/3	107007.00	√	1027	4C17FZ32	P1102-48	6	6.2	400	13.67	13.17	S, US
22	1105	1/2	107013.00	√	1143	4C17FZ38	P1103-48	79	8.8	700	14.17	12.67	S, US
41	700	1/2	107017.00	√	1120	4T17FZ39	P1102-48	42	8.8	650	14.17	12.67	S, US
59	496	1/2	107016.00	√	1120	4C17FZ41	P1102-48	29	8.8	625	14.17	12.67	S, US
91	336	1/2	107015.00	√	1120	4C17FZ40	P1102-48	19	8.8	575	14.17	12.67	S, US
133	229	1/2	107014.00	√	1120	4C17FZ39	P1102-48	13	8.8	525	14.17	12.67	S, US

Specifications are subject to change without notice

♥ Note listing on inside back flap

Three Phase - 230/460 Volt - TEFC - P1100 Series

Output RPM	F.L. Torque (Lb.In.)	Input HP	Catalog Number	Stock	List Price	Model Number	Gearmotor Type & Frame	Ratio to 1	F.L. Amps 115	Over-hung Load (lb.)	Dimensions (inches)		♥Notes
											XL	XH	
18	1089	1/3	107025.00	√	1117	4T17FZ53	P1103-48	95	1.6	700	12.92	11.42	S, US
26	752	1/3	107026.00	√	1117	4T17FZ54	P1103-48	66	1.6	650	12.92	11.42	S, US
41	461	1/3	107027.00	√	1091	4T17FZ55	P1102-48	42	1.6	650	12.92	11.42	S, US
59	330	1/3	107028.00	√	1091	4T17FZ56	P1102-48	29	1.6	625	12.92	11.42	S, US
91	224	1/3	107029.00	√	1091	4T17FZ57	P1102-48	19	1.6	575	12.92	11.42	S, US
157	125	1/3	107030.00	√	1091	4T17FZ58	P1102-48	11	1.6	500	12.92	11.42	S, US
288	70	1/3	107031.00	√	1091	4T17FZ48	P1102-48	6	1.6	400	12.92	11.42	S, US
22	1105	1/2	107032.00	√	1177	4T17FZ49	P1103-48	79	2	700	13.42	11.92	S, US
41	700	1/2	107033.00	√	1160	4T17FZ50	P1102-48	42	2	650	13.42	11.92	S, US
59	496	1/2	107034.00	√	1160	4T17FZ51	P1102-48	29	2	625	13.42	11.92	S, US
91	336	1/2	107035.00	√	1160	4T17FZ52	P1102-48	19	2	575	13.42	11.92	S, US
133	229	1/2	107036.00	√	1160	4T17FZ46	P1102-48	13	2	500	13.42	11.92	S, US
288	100	1/2	107037.00	√	1160	4C17N29	P1102-48	6	2	400	13.42	11.92	S, US

Specifications are subject to change without notice

♥ Note listing on inside back flap

View On-line Technical Information



DC Motors

Gearmotors

Ac / DC Controls

Accessories / Kits

Mods / Factory Options

X-Ref / Index

Tech Information

Terms / Warnings

Other Products

Gearmotors

Right-Angle - AC Gearmotors



Output Torque - 14-113 In-Lbs

Features:

- Permanent split capacitor design rated for 115/230VAC 60/50 HZ input
- Worm-type right-angle gearing features hardened, steel worm with bronze worm wheel for long life and quiet operation
- Precision machined aluminum gear housing
- Lubrication is permanent with an oil bath
- Gearbox has all ball bearings
- Output shaft is field interchangeable from left hand to right hand style by reassembly
- Double output shaft available as a factory option
- Optional conduit box available
- Optional gearbox base available (10 Series only)

Application Notes:

- These right-angle gearmotors have a lubrication breather positioned for horizontal mounting. For other mountings, the breather plug must be reoriented by using a 90 deg 1/8" NPT taper pipe elbow (See drawing). Elbow not available from LEESON
- These gearmotors are designed for mounting at any angle, but motor below the reducer should be avoided to prevent leakage of lubricant into the motor should the motor shaft seal fail
- Overhung load capacities shown are at center of output shaft
- Continuous duty run capacitor supplied as standard
- For additional information, see Bulletin 1830
- **Bodine/Dayton direct interchange**

Single Phase - 115/230 Volt - Totally Enclosed - Right-Angle

Output RPM	F.L. Torque (Lb.In.)	Input HP	Catalog Number	Stock	List Price	Model Number	Gearmotor Type & Frame	Ratio to 1	F.L. Amps 115	Over-hung Load (lb.)	Dimensions (inches)				Capacitor Mfd. 240 VAC	♥Notes
											P	X	XL	XH		
28	37	1/15	M1125080.00	√	637	M31P17NZ19	10F60-31C	60	0.9	185	3.07	3.63	8.94	5.31	10.0 [□]	S, US, 12
43	34	1/15	M1125081.00	√	637	M31P17NZ18	10F40-31C	40	0.9	185	3.07	3.63	8.94	5.31	10.0 [□]	S, US, 12
58	40	1/15	M1125082.00	√	637	M31P17NZ17	10F30-31C	30	0.9	185	3.07	3.63	8.94	5.31	10.0 [□]	S, US, 12
85	24	1/15	M1125083.00	√	637	M31P17NZ16	10F20-31C	20	0.9	185	3.07	3.63	8.94	5.31	10.0 [□]	S, US, 12
173	14	1/15	M1125084.00	√	637	M31P17NZ15	10F10-31C	10	0.9	185	3.07	3.63	8.94	5.31	10.0 [□]	S, US, 12
29	110	1/6	M1145037.00	√	864	M38P17FZ16	13F60-38F	60	2	235	3.85	4.5	12.31	7.81	15.0 [¢]	S, US, 13
43	113	1/6	M1145038.00	√	864	M38P17FZ17	13F40-38F	40	2	235	3.85	4.5	12.31	7.81	15.0 [¢]	S, US, 13
57	95	1/6	M1145082.00	√	864	M38P17FZ23	13F30-38F	30	2	235	3.85	4.5	12.31	7.81	15.0 [¢]	S, US, 13
83	75	1/6	M1145039.00	√	864	M38P17FZ18	13F20-38F	20	2	235	3.85	4.5	12.31	7.81	15.0 [¢]	S, US, 13
170	43	1/6	M1145040.00	√	864	M38P17FZ19	13F10-38F	10	2	235	3.85	4.5	12.31	7.81	15.0 [¢]	S, US, 13
340	23	1/6	M1145041.00	√	864	M38P17FZ20	13F05-38F	5	2	235	3.85	4.5	12.31	7.81	15.0 [¢]	S, US, 13

□ 250 VAC

¢ 300 VAC

♥ Note listing on inside back flap

Specifications are subject to change without notice



View On-line Technical Information



**IP55 AC Washguard Gearmotors
Right Angle - Single & Three Phase -**



General Specifications:

Single and Three-phase washdown duty gearmotors rated for continuous duty applications. Permanent split designed single-phase motors include capacitor in conduit box. Motors are designed for extended life in applications requiring regular washdown or otherwise wet environments. Avoid shaft up applications, with motor below, should shaft seal fail.

Features:

- 304 Stainless steel external shafts
- White epoxy painted motors
- O-rings and gaskets used for sealing
- Hardened Worm-type gearing used
- Interior components protected against corrosion
- Ball bearings used in gear housing
- Sealed output shafts
- Output shafts have needle bearings for high load capacities
- UL listed and CSA certified

Single & Three Phase - TEFC - Right Angle

Output RPM	F.L. Torque (Lb.In.)	Input HP	Catalog Number	Stock	List Price	Model Number	Gearmotor Type & Frame	Ratio to 1	Voltage	F.L. Amps 230 V	Phase	♥Notes
43	113	1/6	M1145141.00	√	669	M38P17FZ42	Right-Angle	40	115/230	1.0	1	S, US
83	75	1/6	M1145142.00	√	907	M38P17FZ43	Right-Angle	20	115/230	1.0	1	S, US
340	23	1/6	M1145143.00	√	907	M38P17FZ44	Right-Angle	5	115/230	1.0	1	S, US
29	220	1/6	M1145146.00	√	907	M38T17FZ22	Right-Angle	60	230	1.3	3	S, US
172	105	1/6	M1145147.00	√	907	M38T17FZ23	Right-Angle	10	230	1.3	3	S, US

Specifications are subject to change without notice

♥ Note listing on inside back flap

- DC Motors
- Gearmotors**
- Ac / DC Controls
- Accessories / Kits
- Mods / Factory Options
- X-Ref / Index
- Tech Information
- Terms / Warnings
- Other Products

Gearmotors

SUB-FHP Accessories

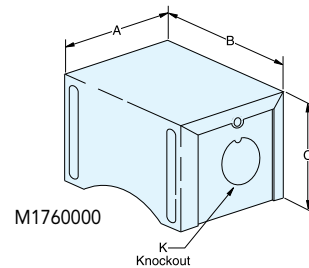
SUB-FHP Gearmotor Conduit Boxes

Optional steel conduit or junction boxes are available. The boxes are painted and mount in holes using screws provided with all stock gearmotors.

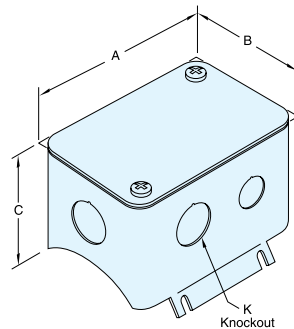
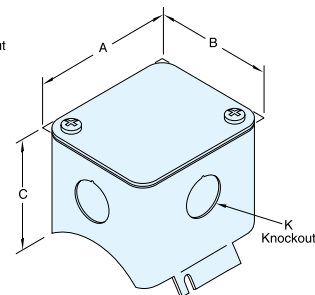
Catalog Number	Frame	List Price	Dimensions (inches)			
			A	B	C	K
M1760000.00*	25	40	2.09	2.45	2.23	0.875
M1760021.00*	30/31	40	3.13	2.63	2.28	0.875
M1760007.00	34	40	3.13	2.63	2.28	0.875
M1760012.00	38	42	4.75	2.75	2.00	1.125
175893.00	42	42	4.75	2.75	2.00	1.125

Note: * For any gearmotor catalog number beginning with M1115XXX, must clarify from gearmotor type and frame columns as listed on catalog pages 301, 303 and 311. For example, if gearmotor type and frame lists P303-30E, then use 30 frame conduit box kit M1760021. If gearmotor type and frame lists 10F60-25, then use conduit box kit M1760000.

Specifications are subject to change without notice

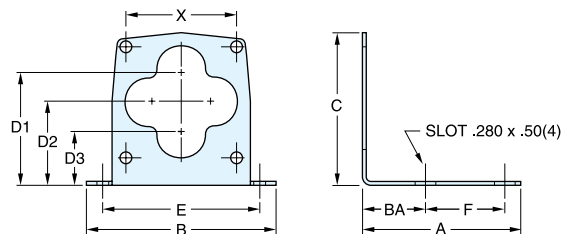


M1760000

M1760012
&
175893M1760007
&
M1760021

SUB-FHP Gearmotor "L" Mounting Bracket

Optional "L" brackets can be used to mount parallel shaft type PZ or PE350 gearmotors. Of steel construction, they are painted and include screws for mounting to the motor, but not the application.



Catalog Number	Frame	List Price	Dimensions (inches)									
			A	B	C	1D1	1D2	1D3	X	BA	F	E
M1760003.00*	PZ Gearmotors	51	3.75	4.5	3.935	3	2.25	1.5	2.645	1.5	1.875	3.75
M1760011.00**	PE350 Gearmotors	61	4.5	6	5.52	4	3.1	2.2	3.625	1.5	2.5	5.00
M1760029.00Δ	PE350 Gearmotors	64	4.5	6	5.52	4	3.1	2.2	3.625	1.5	2.5	5.00

* Maximum radial load no greater than 50 lbs. This bracket can also be used on DC motors in the 34 frame having the style C mounting.

**Maximum radial load no greater than 200 lbs.

Δ Washguard PE350 L-Bracket

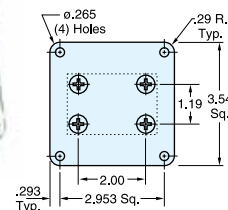
Specifications are subject to change without notice

SUB-FHP Gearmotor Right-Angle Base Kit

This Optional Base Kit can be used with the 10 Series right-angle gearmotors. (Includes screws for mounting to gearbox, but not the application.)

Catalog Number	List Price
M1760006.00	\$55

Specifications are subject to change without notice



For SUB-FHP Right-Angle AC Gearmotors

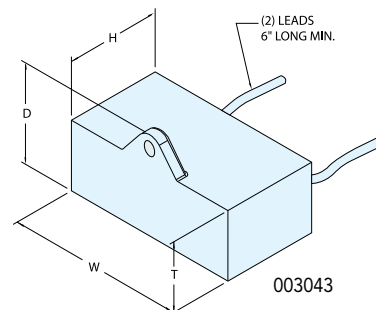
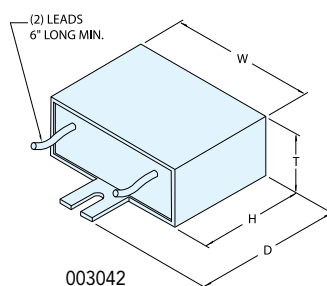
MFD Rating	Voltage Rating	Catalog Number	List Price	Dimensions (inches)			
				W	H	T	D
10	250	3043.05	47	1.89	1.14	0.75	1.14
15	300	3042.05	52	2.28	1.61	1.14	2.48

For SUB-FHP P240 & PE350 AC Gearmotors

Gearmotor Type	MFD Rating	Voltage Rating	Catalog Number	List Price	Dimensions (inches)			
					W	H	T	D
P240	7.5	250	3042.02	52	1.89	1.14	0.75	2.01
PE350	10	250	3042.06	47	1.89	1.24	0.89	2.11
P240	15	300	3042.05	52	2.28	1.61	1.14	2.48
PE350	15	250	3042.04	60	2.28	1.46	0.93	2.33

For SUB-FHP AC PZ Series gearmotors

MFD Rating	Voltage Rating	Catalog Number	List Price	Dimensions (inches)			
				W	H	T	D
3	250	3043.01	52	1.22	0.93	0.57	0.97
10	250	3043.05	47	1.89	1.14	0.75	1.14



- DC Motors
- Gearmotors**
- Ac / DC Controls
- Accessories / Kits
- Mods / Factory Options
- X-Ref / Index
- Tech Information
- Terms / Warnings
- Other Products

AC / DC Controls

Quick Reference

DC Motors

Gearmotors

AC / DC Controls

Accessories / Kits

Mods / Factory Options

X-Ref / Index

Tech. Information

Terms / Warnings

Other Products



DC Adjustable Speed Drives

Speedmaster® DC drives for use with SCR rated motors. Models range from sub-FHP through 3 HP. NEMA 1, NEMA 4/12 and NEMA 4X enclosures available. Low voltage controls available through 120 amps @12/24 V and 100 amps @ 36/48 V.



SM2/SM4 Series Flux Vector Sub-Micro AC Inverters

Speedmaster® sensorless vector drives with “big drive” features and ultra-compact size. SM2 - 1/2 through 25 HP. IP31 enclosure — NEMA 1 Type. SM4 - 1/2 through 10HP IP65 NEMA 4.



SM Series Sub-Micro AC Inverters

Speedmaster® adjustable speed drives for simpler applications not requiring the advanced features of the SM-Plus Series. Models range from 1/3 through 25 HP. IP 20 enclosure — chassis mount.



Micro Series NEMA Enclosed AC Inverters

Speedmaster® adjustable speed drives with plain-English programming and read-out. Models range from 1/4 through 150 HP. NEMA 1 enclosure.



Micro Series WASHGUARD AC Inverters

Speedmaster® adjustable speed drives in NEMA 4/12 and NEMA 4X enclosures. Plain-English programming and read-out. Models range from 1/4 through 125 HP.



Inverter Kits

Dynamic braking kits, din rail kits, remote keypads, EPM bulk packs

LEESON Speedmaster® inverters are feature rich controls offering great process control and operating efficiency for your AC Motors. Our 3 families of controls have the solution to your application needs at a competitive price



Basic Features	Stand alone inverter, does not need to be mounted in an enclosure	Open control, needs to be mounted in an enclosure	Open control, needs to be mounted in an enclosure	Low cost vector inverter	Stand alone Vector inverter
	English read out display, rugged construction features	Digital display readout	Less Features than the SM Basic Control	Vector speed control for great speed regulation	Many features and control parameters
	Steel enclosure	Over 50 programmable functions	Low cost	4 modes of operation	Easy set-up and operation
	Micro Series	SM-Plus	SM-Basic	SM2 Vector	SM4 Vector
Enclosure Type	IP 31 & IP65/54	IP20	IP20	IP20	IP 65
Enclosure Material	Steel	Plastic	Plastic	Plastic	Plastic
Number Pre-set Speeds	4	7	7	8	8
Washdown Duty	Yes	No	No	No	Yes
FWD & REV	Yes	Yes	Yes	Yes	Yes
Password Protected	Yes	Yes	Yes	Yes	Yes
Dynamic Brake Kits	Yes	Yes	Yes	No	No
Relays	Yes	Yes	Yes	Yes	Yes
EPM Programmable	No	Yes	Yes	Yes	Yes
Open Loop Vector	No	No	No	Yes	Yes
PID Software	Yes	No	No	Yes	Yes
Remote Keypads	Yes	Yes	Yes	Yes	Yes
Slip Compensation	Yes	Yes	Yes	Yes	Yes
Speed Reference Signals	Yes	Yes	Yes	Yes	Yes
Display - Words or odes	Words	3- digit	3 - digit	4 - digit	4 - digit
Adjustable carrier frequency	2.5 - 14 kHz	4 - 10 kHz	4 - 10 kHz	4 - 10 kHz	4 - 10 kHz
DC Braking	Yes	Yes	Yes	Yes	Yes
Fault History	Yes	Yes	Yes	Yes	Yes
Max. HP @ 460 Volts	150	30	15	25	10
Max. HP @ 230 Volts	60	20	15	20	10
1 Phase Input / 3 Phase Output	Yes	Yes	Yes	Yes	Yes
Output frequency	120	240 Hz	240 Hz	500 Hz	500 Hz

AC / DC Controls

DC Adjustable Speed Drives

SCR Thyristor Controls



LEESON Speedmaster DC Control information

PWM and SCR Controls

General Specifications:

- General purpose for permanent magnet or shunt wound DC motors
- NEMA 4X and 4/12 suitable for washdown applications
- Dual voltage capable on most designs – see HP range
- 115 / 230 volt single-phase input voltage – DC 90 volt or 180 volt output
- Adjustable minimum and maximum speed
- Speed pot included on chassis controls
- Adjustable IR compensation
- Heat sinks required as noted
- PWM controls provide quieter operation, lower motor temperature and greater motor overload capacity

Regenerative Controls

General Specifications:

- Four quadrant controls for precise motion control
- NEMA 4X or chassis style
- Motoring and braking torque regulation ¼ HP through 2 HP

15 Series

General Specifications:

- Dual voltage – 12/24 VAC or 120/240 VAC Input
- Adjustable minimum and maximum speed
- Adjustable IR compensation
- Fixed acceleration – (0.5 seconds)
- 5K ohm speed pot included
- 25:1 speed range and 1% speed regulation

For NEMA Frame Motors & Gearmotors

SCR Controls - Enclosed - Single Phase Input 50/60 Hz

Description	Catalog Number	List Price	Output Amps	HP Range		App. Wgt. (lbs.)
				115V	230V	
NEMA 1 General Purpose						
—Non-Reversing	174307.00	435	10	1/8 to 1 ⊕	1/4 to 2 ⊕	5
—Reversing with dynamic braking	174308.00	595	10	1/8 to 1 ⊕	1/4 to 2 ⊕	5
—Heat Sink n	174316.00	97	—	—	—	1
NEMA 4X Washdown—Dust-Tight						
—Non-Reversing, Plastic Enclosure	174102.00	592	10	1/8 to 1	1/4 to 2	6
—Non-Reversing, Plastic Enclosure with Signal Follower	174103.00	862	10	1/8 to 1	1/4 to 2	7
—Reversing, Plastic Enclosure*	174107.00	804	10	1/8 to 1	1/4 to 2	7
NEMA 4						
—Non-Reversing 3HP	174709.00	1138	15	—	3	8

See footnotes on page 339

Specifications are subject to change without notice



DC Motors
Gearmotors
AC / DC Controls
Accessories / Kits
Mods / Factory Options
X-Ref / Index
Tech. Information
Terms / Warnings
Other Products

LEESON Speedmaster DC Control information

SCR Controls - Open Chassis

Description	Catalog Number	List Price	Output Amps	HP Range		App. Wgt. (lbs.)
				115V	230V	
Chassis with Speed Pot-Non Reversing	174311.00	241	10	1/8 to 1 Ⓚ	1/4 to 2 Ⓚ	1
Chassis Heat Sink Ⓚ	174314.00	72	—	—	—	1

Specifications are subject to change without notice

Regenerative SCR Drives - Four Quadrant - Full Wave

Description	Catalog Number	List Price	Output Amps	HP Range		App. Wgt. (lbs.)
				115V	230V	
NEMA 4X Washdown □	175720.00	1242	10	1/4 to 1 Ⓚ	1/2 to 2 Ⓚ	8
Open Chassis with Speed Pot □	175721.00	801	10	1/4 to 1 Ⓚ	1/2 to 2 Ⓚ	2
Chassis Heat Sink Ⓚ	175722.00	139	—	—	—	2



Specifications are subject to change without notice

For Subfractional HP Motors & Gearmotors
PWM & SCR Controls - Enclosed - Single Phase Input 50/60 Hz

Description	Catalog Number	List Price	Output Amps	HP Range		App. Wgt. (lbs.)
				115V	230V	
NEMA 1 General Purpose						
—SCR Non-Reversing	M1740005.00	418	3	1/40 to 1/8	1/40 to 1/4	5
—SCR Reversing With Dynamic Braking	M1740006.00	564	3	1/40 to 1/8	1/40 to 1/4	5
—PWM Non-Reversing	M1740008.00	362	3	1/40 to 1/8	1/40 to 1/4	2

Specifications are subject to change without notice

PWM & SCR Controls - Open Chassis

Description	Catalog Number	List Price	Output Amps	HP Range		App. Wgt. (lbs.)
				115V	230V	
Open Chassis SCR Type						
—Chassis with Speed Pot-Non Reversing	M1740007.00	232	1.5	1/40 to 1/8	1/40 to 1/4	1
Open Chassis PWM Type						
—Chassis with Speed Pot-Non Reversing	M1740009.00	270	2	1/40 to 1/8	—	1

- * Drive does not have dynamic braking. Motor shaft must be at zero speed before reversing.
- Ⓚ Heat sink #174316 is required for NEMA 1 type 3/4 and 1HP 115V and 11/2 and 2HP 230V when the amp draw of the motor exceeds 5 amps.
- Ⓚ Chassis Heat Sink #174314 required for 3/4 and 1HP 115V and 11/2 and 2HP 230V when the amp draw of the motor exceeds 5 amps.
- Ⓚ Chassis Heat sink #175722 required for 1HP and above when the amp draw of the motor exceeds 5 amps.
- Regenerative drives are reversible and have regenerative braking.

Specifications are subject to change without notice



DC Motors
 Gearmotors
 Ac / DC Controls
 Accessories / Kits
 Mods / Factory Options
 X-Ref / Index
 Tech Information
 Terms / Warnings
 Other Products

AC / DC Controls

DC Adjustable Speed Drives - SCR Controls

15 Series

General Specifications:

- 0-90 / 0-180 volts DC
- Adjustable min. and max. speed
- Adjustable IR compensation
- Fixed acceleration - 5 seconds
- 5K ohm speed potentiometer included
- 25:1 speed range and 1% speed regulation



NEMA 4/12
Non-Reversing



Figure 1



Figure 2

Description	Catalog Number	List Price	Output Amps	HP Range		App. Wgt. (lbs.)
				115V	230V	
NEMA 4/12 Non-Reversing	174696.00	281	3	1/3	2/3	1
Chassis - Figure 1	174695.00	162	2	1/6	1/6	1
Chassis - Figure 2	174694.00	162	2	1/6	1/6	1

Specifications are subject to change without notice

Low Voltage Adjustable Speed Controllers

General Specifications:

- Chassis type design
- DC input / DC output
- Speed potentiometer shipped loose
- High efficient designs increase battery life



Features:

- 40 : 1 speed range
- Holds speed control as battery discharges
- Adjustable min. and max. speeds
- IR compensation
- 200% current limit overload protection
- Inhibit pins provide optional start-stop
- Power on LED indicator

Input Voltage	Catalog Number	List Price	Output Amps	Dimensions (inches)			App. Wgt. (lbs.)
				Length	Width	Height	
12/24	175290.00	521	16	6.90	4.44	2.19	2
12/24	175291.00	635	60	7.78	6.90	3.25	4
36/48	175292.00	635	60	7.78	6.90	3.25	4

Specifications are subject to change without notice



DC Motors

Gearmotors

AC / DC Controls

Accessories / Kits

Mods / Factory Options

X-Ref / Index

Tech. Information

Terms / Warnings

Other Products

Low Voltage Adjustable Speed Controllers

General Specifications:

- Chassis type design
- DC input / DC output
- Speed potentiation meter shipped loose
- High efficient designs increase battery life



Features:

- Sleep mode feature
- Accepts switch closure for reversing and braking
- Built-in short circuit protection
- 1.01 Form factor
- Built-in temperature sensor
- On board trim pots for calibration, speed and forward and reverse settings

Four Quadrant Control

Input Voltage	Catalog Number	List Price	Output Amps	Dimensions (inches)			App. Wgt. (lbs.)
				Length	Width	Height	
12/24	174298.00	1127	120	6.90	5.00	2.50	3
36/48	174299.00	1127	100	6.90	5.00	2.50	3

Specifications are subject to change without notice

Dual Mode - Dual Speed Controllers

- SCR Control designed to run two DC motors at the same time in either Independent mode or Slave/ Master mode
- Open chassis design
- Dual voltage, 115-230 VAC input with jumper
- Selectable 90/180 VDC output
- Jumper selectable speed and torque mode
- Two trim pots each for the minimum speed, maximum speed, IR compensation, current limit and acceleration/deceleration
- Comes standard with two potentiometers



HP	Input Voltage	Output Amps	Output Voltage	Catalog Number	List Price	App. Wgt. (lbs)
1 HP @ 90 VDC 2 HP @ 180 VDC	115/230	10*	0-90/0-180	174422.00	375	3

Specifications are subject to change without notice

Control Accessories

Description	Catalog Number	List Price
Inhibit Plug	900282.01	48
Speed Pot (10k/5w pot, washers & nut)	006708.01	62

Specifications are subject to change without notice



- DC Motors
- Gearmotors
- Ac / DC Controls
- Accessories / Kits
- Mods / Factory Options
- X-Ref / Index
- Tech Information
- Terms / Warnings
- Other Products

AC / DC Controls

FHP Series AC Controls

AC Adjustable Speed Drives

General Specifications:

The FHP Series volts/hertz-type AC drives are as simple to set-up and calibrate as an SCR-type DC drive.

Compact chassis design maintain industry standard mounting hole locations.

Features:

Common features for chassis and enclosed units:

- Compact size – (4.30" x 3.70")
- Output voltage on dual voltage models is jumper selectable and has voltage doubler
- Acceleration and deceleration trim pots
- Torque, maximum speed and torque limit trim pots
- Torque 'foldback' feature – Allows up to 200% torque for short periods
- 16kHz switching frequency, with option to change between 4 and 16kHz
- Adjustable torque boost for startup – Up to 200%
- Color-coded on-board LEDs for power, fault and torque limit
- Easy start/stop and direction control with enable and direction terminal connections
- Accepts speed reference from 0-5VDC isolated signal
- Speed potentiometer shipped loose
- Plug-in Process Control Module (PCM) kit available to accept 0-5VDC, 0-10VDC or 4-20mA input
- UL listed

Special features of the NEMA 4X drive:

- NEMA 4X enclosure
- Jumper selectable DC injection braking or coast to stop
- Brake time and current are adjustable
- Built-in isolation card to accept a speed reference signal
- Min speed adjustment
- Auto or manual restart after power loss

PARAMETER	SPECIFICATIONS FOR ALL FHP MODELS
Max load	150% for 5 minutes
Output frequency	0-120Hz
Output type	6 step PWM
Switching frequency	4-16kHz range* with 16kHz as factory default
Speed regulation and range	±3% of base speed; up to 50:1
On-board adjustable trim pots	Max speed, accel, decel, boost & torque limit
Adjustable maximum frequency range	32-120Hz
Adjustable accel and decel time range	1-12 seconds
Torque boost range	0-200%
LED indicators	Power (green), Fault‡ (red), Torque Limit (yellow)
Instantaneous over-current trip time	3 µsec
Analog reference input and impedance	0-5VDC isolated, ~100Kohm
Plug-in PCM isolator card input	0-5 VDC, 0-10VDC, 4-20mA
Ambient temperature range	0-40°C
Weight (Chassis Models)	1.2 lbs.
Vibration	0.5G max (20-50Hz); 0.1G max (>50Hz)
Approvals	UL, cUL

* Plug-in capacitor kit (175325) for field adjustments to less than 16kHz

‡ Faults are Over-voltage, Under-voltage and Instantaneous Over Current trip

AC / DC Controls

FHP Series AC Drives - Chassis Mount



Single Phase Input / Single or Three Phase Output

HP	Input Voltage	Output Amps	Output Voltage	Catalog Number	List Price	App. Wgt. (lbs)
1/4	230	1.2	230	175318.00	371	2
	115	2.4	115	175320.00	383	3
1/2	230	2.4	230	175321.00	383	3
	115/230	2.4	230	175310.00	486	3
	115	4	115	175322.00	475	4
1	230	4	230	175323.00	470	4
	115/230	4	230	175311.00	615	4

Specifications are subject to change without notice

FHP Series AC Drives - Accessories

Description	Catalog Number	List Price	App. Wgt. (lbs)
Process Control Module (PCM) Kit*	175324.00	121	2
Carrier Frequency Capacitor Kit	175325.00	29	1

* PCM Kit is for use with chassis drives only.

Specifications are subject to change without notice

AC / DC Controls

FHP Series AC Drives - NEMA 4X (IP65)

- NEMA 4X enclosure
- Min speed adjustment
- Jumper selectable features:
 - DC injection braking or coast to stop
 - Brake time and current are adjustable
 - Auto or manual restart after power loss
- Built-in isolation card to accept a speed reference signal



Single Phase Input / Three Phase Output

HP	Input Voltage	Output Amps	Output Voltage	Catalog Number	List Price	App. Wgt. (lbs)
1/6 - 1	115/230	4	230	175326.00	865	7

Specifications are subject to change without notice



DC Motors

Gearmotors

Ac / DC Controls

Accessories / Kits

Mods / Factory Options

X-Ref / Index

Tech Information

Terms / Warnings

Other Products

AC / DC Controls

Micro Series AC Inverters

NEMA 1, IP31 Enclosure Protection

Features:

- Full feature, English read-out parameters
- 16 bit Intel microprocessor
- Choice of using factory "Quick Start" program settings
- Output frequency to 120 Hz. Higher frequency available
- 150% overload capacity for one minute
- Speed reference signals - potentiometer, 0-10 VDC or 4-20mA inputs
- Output signal, 0-10 VDC, speed or load
- Two auxiliary contacts, one form C relay and two open collector outputs
- 4 preset speeds
- Slip compensation
- Adjustable carrier frequency
- Adjustable acceleration and deceleration times
- Forward and reverse
- Time and voltage adjustable DC braking
- Password protected
- Constant torque-with adjustable current limit
- Steel enclosure with Aluminum heat sinks
- Dynamic braking kits available
- Remote keypads available
- PID software built-in for motor feedback
- UL Listed



NEMA 1

PDF file of Manual available at www.leeson.com/Technical Information

NEMA 1 (IP31) • Single Phase Input / 230V Three Phase Output (Use with three phase 230V motor)

HP	Output Amps @ 230 Volts	Input Voltage	Catalog Number	List Price	App. Wgt. (lbs)	Dimension Key
1/4	1.4	115/230	174930.00	1032	5	A
1/2	2.2	115/230	174997.00	1244	7	AC
1	4	115/230	174931.00	1255	7	D
1 1/2	5.2	115/230	174932.00	1390	7	D
2	6.8	200-230	174933.00	1326	9	E
3	9.6	200-230	174934.00	1460	9	E

Specifications are subject to change without notice

Dimension Table see page 360 - 361



DC Motors

Gearmotors

AC / DC Controls

Accessories / Kits

Mods / Factory Options

X-Ref / Index

Tech. Information

Terms / Warnings

Other Products

NEMA 1, IP31 Enclosure Protection

Voltage	HP	Output Amps	Input Voltage	Catalog Number	List Price	App. Wgt. (lbs)	Dimension Key	
200-240 Volts	1/2	2.2	200-240	174914.00	1093	6	B	
	1	4	200-240	174915.00	1148	6	C	
	1 1/2	5.2	200-240	174916.00	1203	6	C	
	2	6.8	200-240	174917.00	1285	9	E	
	3	9.6	200-240	174918.00	1382	9	E	
	5	15.2	200-240	174919.00	1633	11	F	
	7 1/2	25	200-240	174545.00	2416	13	M	
	10	28	200-240	174551.00	3127	15	L	
	15	42	200-240	174557.00	4126	19	N	
	20	54	200-240	174560.00	5598	21	P	
	25	68	200-240	174569.00	6781	38	T	
	30	80	200-240	174571.00	8136	44	T	
	40	104	200-240	174576.00	12533	130	AE	
	60	154	200-240	174578.00	17709	185	AF	
	400-480 Volts	1	2	400-480	174920.00	1377	6	B
		2	3.4	400-480	174921.00	1510	7	D
3		4.8	400-480	174922.00	1633	9	E	
5		7.6	400-480	174923.00	1837	9	E	
7 1/2		11	400-480	174924.00	2496	11	I	
10		14	400-480	174552.00	3390	13	M	
15		21	400-480	174558.00	4353	15	L	
20		27	400-480	174561.00	5776	17	N	
25		34	400-480	174563.00	6810	21	P	
30		40	400-480	174565.00	7415	21	P	
40		52	400-480	174567.00	8545	35	T	
50		65	400-480	174593.00	10416	44	W	
60		77	400-480	174572.00	11444	67	W	
75		96	400-480	174580.00	14507	185	AG	
100		124	400-480	174582.00	17641	250	AH	
125		156	400-480	174584.00	19821	260	AH	
150	180	400-480	174586.00	27040	360	AL		
480-590 Volts	1	1.6	480-590	174925.00	1527	6	B	
	2	2.7	480-590	174926.00	1687	7	D	
	3	3.9	480-590	174927.00	1864	9	E	
	5	6.1	480-590	174928.00	2033	9	F	
	7 1/2	9	480-590	174929.00	2485	11	I	
	10	11	480-590	174553.00	3787	13	R	
	15	17	480-590	174559.00	4999	17	N	
	20	22	480-590	174562.00	6350	19	O	
	25	27	480-590	174564.00	7499	21	P	
	30	32	480-590	174598.00	8398	22	S	
	40	41	480-590	174599.00	9315	38	T	
	50	52	480-590	174594.00	11299	45	W	
60	62	480-590	174573.00	12641	51	W		

Specifications are subject to change without notice

Dimension Table see page 360 - 361



DC Motors

Gearmotors

Ac / DC Controls

Accessories / Kits

Mods / Factory Options

X-Ref / Index

Tech Information

Terms / Warnings

Other Products

AC / DC Controls

Washguard Micro Series AC Inverters



WASHGUARD NEMA 4/12

NEMA 4/12 (IP65/IP54)

Epoxy Coated

General Specifications:

- Food -safe white epoxy finish
- No external cooling fan required
- Water, oil and dust-tight enclosure protected
- Same features as Micro Series inverters as shown on previous page

Three Phase Input / Output

Voltage	HP	Output Amps	Input Voltage	Catalog Number	List Price	App. Wgt. (lbs)	Dimension Key	
200-240 Volts	1/2	2.2	200-240	174935.00	1548	8	G	
	1	4	200-240	174936.00	1682	8	G	
	1 1/2	5.2	200-240	174482.00	1704	8	Y	
	2	6.8	200-240	174937.00	1800	10	H	
	3	9.6	200-240	174938.00	1948	11	J	
	5	15.2	200-240	174730.00	2401	11	K	
	7 1/2	22	200-240	174734.00	3331	27	Q	
	10	28	200-240	174737.00	4203	32	U	
	15	43	200-240	174740.00	5067	40	V	
	20	54	200-240	174743.00 □	6506	42	AA	
	25	68	200-240	174595.00 □	8915	53	Z	
	30	80	200-240	174596.00 □	9447	53	Z	
	400-480 Volts	1	2	400-480	174939.00	1894	8	G
		2	3.4	400-480	174940.00	2090	10	H
3		4.8	400-480	174941.00	2240	10	H	
5		7.6	400-480	174942.00	2475	11	J	
7 1/2		11	400-480	174548.00	3138	11	K	
10		14	400-480	174554.00	4183	11	Q	
15		21	400-480	174749.00	5212	32	U	
20		27	400-480	174752.00	6683	36	V	
25		34	400-480	174755.00 □	7716	42	AA	
30		40	400-480	174757.00 □	8433	53	AA	
40		52	400-480	174513.00 □	9755	54	Z	
50		65	400-480	174511.00 □	11320	75	AB	
60		77	400-480	174574.00 □	12746	98	AB	
75		96	400-480	174581.00 □	15734	200	AJ	
100	124	400-480	174583.00 □	19004	300	AP		
125	156	400-480	174585.00 □	21593	310	AO		
480-590 Volts	1	1.6	480-590	174943.00	2060	8	G	
	2	2.7	480-590	174944.00	2298	10	H	
	3	3.9	480-590	174945.00	2506	10	H	
	5	6.1	480-590	174946.00	2698	11	J	
	7 1/2	9	480-590	174549.00	3708	13	K	
	10	11	480-590	174556.00	4865	17	Q	
	15	17	480-590	174763.00	5876	38	U	
	20	22	480-590	174766.00	7154	40	V	
	25	27	480-590	174769.00 □	8532	42	AA	
	30	32	480-590	174597.00 □	9362	53	AA	
	40	41	480-590	174512.00 □	10839	54	Z	
	50	52	480-590	174510.00 □	12655	75	AB	
60	62	480-590	174575.00 □	14156	98	AB		

□ Enclosures are NEMA 12 only – others are NEMA 4/12

Specifications are subject to change without notice

Dimension Table see page 360 - 361



Washguard Micro Series AC Inverters

NEMA 4X (IP65)
Stainless Steel



WASHGUARD NEMA 4X

General Specifications:

- 300-Series stainless steel
- No external cooling fans
- Must be protected from caustic agents
- Same features as NEMA 1 Micro Series inverters

Three Phase Input / Output

Voltage	HP	Output Amps	Input Voltage	Catalog Number	List Price	App. Wgt. (lbs)	Dimension Key
200-240 Volts	1/2	2.2	200-240	174527.00	1818	8	G
	1	4	200-240	174528.00	1950	8	G
	1 1/2	5.2	200-240	174529.00	2041	8	Y
	2	6.8	200-240	174530.00	2164	10	H
	3	9.6	200-240	174531.00	2273	11	J
	5	15.2	200-240	174732.00	3165	11	K
	7 1/2	22	200-240	174735.00	3895	27	Q
	10	28	200-240	174738.00	4858	32	U
400-480 Volts	15	43	200-240	174741.00	5936	40	V
	1	2	400-480	174532.00	2142	8	G
	2	3.4	400-480	174533.00	2428	10	H
	3	4.8	400-480	174534.00	2604	10	H
	5	7.6	400-480	174535.00	2973	11	J
	7 1/2	11	400-480	174745.00	4032	11	K
	10	14	400-480	174747.00	4993	11	Q
	15	21	400-480	174750.00	5976	32	U
480-590 Volts	20	27	400-480	174753.00	7376	36	V
	1	1.6	480-590	174536.00	2328	8	G
	2	2.7	480-590	174537.00	2599	10	H
	3	3.9	480-590	174538.00	2811	10	H
	5	6.1	480-590	174539.00	3181	11	J
	7 1/2	9	480-590	174759.00	4301	13	K
	10	11	480-590	174761.00	5519	17	Q
	15	17	480-590	174764.00	6629	38	U
	20	22	480-590	174767.00	8015	40	V

Specifications are subject to change without notice

Dimension Table see page 360 - 361



DC Motors

Gearmotors

Ac / DC Controls

Accessories / Kits

Mods / Factory Options

X-Ref / Index

Tech Information

Terms / Warnings

Other Products

AC / DC Controls

Washguard Micro Series AC Inverters

NEMA 4X (IP65)

Stainless Steel

Washguard NEMA 4X (IP65) Stainless Steel - Single Phase Input - 230 Volt Three Phase Output

(Use with three phase 230V motor)

HP	Output Amps @ 230 Volts	Input Voltage [Ⓜ]	Catalog Number	List Price	App. Wgt. (lbs)	Dimension Key
1/4	1.4	115/230	174519.00	1778	8	AD
1/2	2.2	115/230	174520.00	1977	8	X
1	4	115/230	174521.00	2119	11	H
1 1/2	5.2	115/230	174517.00	2604	11	H
2	6.8	208-230	174525.00	2228	11	H
3	9.6	208-230	174526.00	2336	12	J

Specifications are subject to change without notice

Washguard NEMA 4 (IP65) Epoxy Coated - Single Phase Input - 230 Volt Three Phase Output

(Use with three phase 230V motor)

HP	Output Amps @ 230 Volts	Input Voltage [Ⓜ]	Catalog Number	List Price	App. Wgt. (lbs)	Dimension Key
1/4	1.4	115/230	174996.00	1439	8	AD
1/2	2.2	115/230	174998.00	1571	8	X
1	4	115/230	174999.00	1720	11	H
1 1/2	5.2	115/230	174515.00	2021	11	H
2	6.8	208-230	174475.00	1831	11	H
3	9.6	208-230	174729.00	1939	12	J

Specifications are subject to change without notice

Dimension Table see page 360 - 361



SM2 Series Flux Vector Series AC Inverters NEMA 1 IP21 Enclosure Protection

General Specifications:

- Designed to be used with Vector duty rated AC motors
- Open Loop Flux Vector designs
- Typical applications would include: food processing, machinery, material handling and HVAC systems
- Enclosure: NEMA1, IP21, -10 to 55°C, 2.5% derate per °C above 40°C

Standard Features:

Easy Set-up and Operation: Program the Vector control in one of four convenient ways:

- From the front of the drive
- The optional remote keypad
- A PC using TechLink software
(Available free from www.leeson.com)
- The innovative EPM programmer



Modes of operation:

- Open loop flux vector (speed or torque)
- V/Hz (constant or variable)
- Enhanced V/Hz with auto-tuning

Easy to Use Keypad & Display

6-Button Interface:

- Start
- Stop
- Forward/reverse
- Scroll up
- Scroll down
- Enter/mode

Vivid Illumination:

- 4 digit LED display
- Easy to read from a distance
- Movable decimal point

Acceleration/Deceleration Profiles:

- Two Independent accel ramps
- Two Independent decel ramps
- Linear or S-type
- Auxiliary ramp-to-stop

Output Frequency:

- 500 Hz Std., 1000 Hz optional

Selectable Logic Assertion:

- Positive logic input (PNP current sourcing)
- Negative logic input (NPN current sinking)



AC / DC Controls

SM2 Series Flux Vector Series AC Inverters NEMA 1 IP21 Enclosure Protection

Multiple Braking Functions

- Loss of follower management
- Speed commands: keypad, jog, floating point control
- Voltage: Scalable 0-10 VDC
- Current: Scalable 4-20 mA, potentiometer,
- 8 preset speeds
- Process control: PID modes: direct or reverse acting,
- PID sleep mode
- Voltage monitoring
- Current monitoring
- Real time monitoring: 8 register fault history, software version drive network ID, DC bus
- Voltage (V), motor voltage (V), output current (%)
Motor current (A), motor torque (%), power (kW)
Energy consumption (kWh), heatsink
- Temperature (°C), 0-10 VDC input (user defined), 4-20 mA input (user defined) PID feedback (user defined), analog output (% load, % torque, kW), network speed (baud rate), terminal continuity, keypad status
- Elapsed run time (hours), elapsed power on time (hours)
- Standards: UL (USA), cUL (Canada), CE (Europe), GOST (Russia/Ukraine) C-Tick (Australia/New Zealand)

Single Phase Input / 230 Volt Three Phase Output

Voltage	HP	Output Amps	Input Voltage [□]	Catalog Number	List Price	App. Wgt. (lbs)	Dimensions H x W x D (in.)
115-230 Volts	1/3	1.7	115/230	174603.00	540	2.9	7.5 x 3.9 x 4.35
	1/2	2.4	115/230	174604.00	555	3	7.5 x 3.9 x 4.35
	1	4.2	115/230	174605.00	619	3.2	7.5 x 3.9 x 4.35
	1.5	6	115/230	174651.00	780	5	7.5 x 3.9 x 5.45

Specifications are subject to change without notice

Single or Three Phase Input / 230 Volt Three Phase Output

Voltage	HP	Output Amps	Input Voltage [□]	Catalog Number	List Price	App. Wgt. (lbs)	Dimensions H x W x D (in.)
208-240 Volts	1/3	1.7	208/240	174606.00£	492	2.5	7.5 x 3.9 x 4.35
	1/2	2.4	208/240	174607.00	517	2.9	7.5 x 3.9 x 4.35
	1	4.2	208/240	174608.00	546	3.2	7.5 x 3.9 x 4.35
	1 1/2	6.0	208/240	174609.00	609	3.7	7.5 x 3.9 x 5.45
	2	7.0	208/240	174610.00	661	3.7	7.5 x 3.9 x 5.45
	3	9.6	208/240	174611.00	837	3.9	7.5 x 3.9 x 5.45

£ LEESON model 174606 is single-phase input only
Specifications are subject to change without notice



AC / DC Controls
SM2 Series Flux Vector Series AC Inverters
NEMA 1 IP21 Enclosure Protection

Three Phase Input / Output

Voltage	HP	Output Amps	Input Voltage	Catalog Number	Stock	List Price	App. Wgt. (lbs)	Dimensions H x W x D (in.)
200-240 Volts	1 1/2	6.0	200/240	174612.00		582	3.7	7.5 x 3.9 x 5.45
	2	7.0	200/240	174613.00		625	3.7	7.5 x 3.9 x 5.45
	3	9.6	200/240	174614.00		786	3.8	7.5 x 3.9 x 5.45
	5	16.5	200/240	174615.00		938	4.2	7.5 x 3.9 x 5.8
	7 1/2	23	200/240	174616.00		1252	7.3	9.83 x 5.12 x 6.3
	10	29	200/240	174617.00		1546	7.3	9.83 x 5.12 x 6.3
	15	42	200/240	174618.00		2403	20	12.33 x 6.88 x 8.08
	20	54	200/240	174619.00		2954	20	12.33 x 6.88 x 8.08
400-480 Volts	1/2	1.1	400/480	174620.00		597	3	7.5 x 3.9 x 4.35
	1	2.1	400/480	174621.00		641	3.2	7.5 x 3.9 x 4.35
	1 1/2	3.0	400/480	174622.00		694	3.6	7.5 x 3.9 x 5.45
	2	3.5	400/480	174623.00		741	3.7	7.5 x 3.9 x 5.45
	3	4.8	400/480	174624.00		872	3.7	7.5 x 3.9 x 5.45
	5	8.2	400/480	174625.00		987	4.3	7.5 x 3.9 x 5.8
	7 1/2	11	400/480	174626.00		1250	7.3	9.83 x 5.12 x 6.3
	10	14	400/480	174627.00		1544	7.3	9.83 x 5.12 x 6.3
	15	21	400/480	174628.00		2410	20	12.33 x 6.88 x 8.08
	20	27	400/480	174629.00		2963	20	12.33 x 6.88 x 8.08
480-590 Volts	1	1.7	480/590	174631.00		738	3.2	7.5 x 3.9 x 4.35
	2	2.7	480/590	174632.00		823	3.7	7.5 x 3.9 x 5.45
	3	3.9	480/590	174633.00		951	3.8	7.5 x 3.9 x 5.45
	5	6.1	480/590	174634.00		1075	4.2	7.5 x 3.9 x 5.8
	7 1/2	9.0	480/590	174635.00		1342	7.3	9.83 x 5.12 x 6.3
	10	11	480/590	174636.00		1655	7.3	9.83 x 5.12 x 6.3
	15	17	480/590	174637.00		2655	20	12.33 x 6.88 x 8.08
	20	22	480/590	174638.00		3420	20	12.33 x 6.88 x 8.08
	25	27	480/590	174639.00		3960	20	12.33 x 6.88 x 8.08

Specifications are subject to change without notice



- DC Motors
- Gearmotors
- Ac / DC Controls
- Accessories / Kits
- Mods / Factory Options
- X-Ref / Index
- Tech Information
- Terms / Warnings
- Other Products

AC / DC Controls

SM4 Series Flux Vector Series AC Inverters NEMA 4 IP65 Enclosure Protection



General Specifications:

- Indoor use only inverter that is designed to be used with vector duty motors
- Typical applications would include : packaging machinery, food processing, conveying systems, machinery and HVAC systems
- Enclosure: NEMA 4, IP65, -10 to 55°C, derate per °C above 40°C

Standard Features:

Easy Set-up and Operation: Program the Vector control in one of four convenient ways:

- From the front of the drive
- The optional remote keypad
- A PC Using TechLink software
(Available free from www.leeson.com)
- The innovative EPM programmer

Modes of operation:

- Open Loop Flux Vector (speed or torque)
- V/Hz (constant or variable)
- Enhanced V/Hz with auto-tuning

Easy to Use Keypad & Display

6-Button Interface:

- Start
- Stop
- Forward/reverse
- Scroll up
- Scroll down
- Enter/mode

Vivid Illumination:

- 4 digit LED display
- Easy to read from a distance
- Movable decimal point

Acceleration/Deceleration Profiles:

- Two independent accel ramps
- Two independent decel ramps
- Linear or S-type
- Auxiliary ramp-to-stop

Output Frequency:

- 500 Hz Std., 1000 Hz optional

Selectable Logic Assertion:

- Positive logic input (PNP current sourcing)
- Negative logic input (NPN current sinking)

Multiple Braking Functions

- Loss of follower management
- Speed commands: keypad, jog, floating point control
- Voltage: scalable 0-10 VDC,
- Current: scalable 4-20 mA, potentiometer,
- 8 Preset speeds
- Process control: PID modes: direct or reverse acting,
- PID sleep mode
- Voltage monitoring
- Current monitoring
- Real time monitoring: 8 register fault history, software version drive network ID, DC bus
- Voltage (V), motor voltage (V), output current (%) motor current (A), motor torque (%), power (kW) energy consumption (kWh), heatsink
- Temperature (°C), 0-10 VDC input (user defined), 4-20 mA input (user defined) PID feedback (user defined), analog output (% load, % torque, kW), network speed (baud rate), terminal continuity, keypad status,
- Elapsed run time (hours), elapsed power on time (hours)
- Standards: UL (USA), cUL (Canada), CE (Europe), GOST (Russia/Ukraine) C-Tick (Australia/New Zealand)

SM4 Series Flux Vector Series AC Inverters
NEMA 4 IP65 Enclosure Protection

Single Phase Input / Three Phase Output
(Use with three phase 230V motor)

Voltage	HP	Output Amps	Input Voltage [□]	Catalog Number	List Price	App. Wgt. (lbs)	Dimensions H x W x D (in.)
115/230 Volts	1/2	2.4	115/230	174652.00	718	3.6	8.0 x 6.28 x 4.47
	1	4.2	115/230	174653.00	818	3.6	8.0 x 6.28 x 4.47
	1 1/2	6.0	115/230	174654.00	995	3.6	8.0 x 6.28 x 4.47

Specifications are subject to change without notice

Single or Three Phase Input / Three Phase Output
(Use with three phase 230V motor)

Voltage	HP	Output Amps	Input Voltage [□]	Catalog Number	List Price	App. Wgt. (lbs)	Dimensions H x W x D (in.)
208-240 Volts	1/2	2.4	208-240	174655.00	646	3.6	8.0 x 6.28 x 4.47
	1	4.2	208-240	174656.00	691	3.6	8.0 x 6.28 x 4.47
	1 1/2	6.0	208-240	174657.00	809	5.9	8.0 x 6.28 x 6.31
	2	7.0	208-240	174658.00	877	5.9	8.0 x 6.28 x 6.31
	3	9.6	208-240	174659.00	1050	7.1	8.0 x 7.12 x 6.77
	3	9.6	208/240	174611.00	837	3.9	7.5 x 3.9 x 5.45

Specifications are subject to change without notice

Three Phase Input / Three Phase Output

Voltage	HP	Output Amps	Input Voltage [□]	Catalog Number	List Price	App. Wgt. (lbs)	Dimensions H x W x D (in.)
208-240 Volts	5	16.5	208-240	174660.00	1304	11.58	10.0 x 8.96 x 8.0
	7 1/2	23.0	208-240	174661.00 <i>f</i>	1754	10.98	10.0 x 8.04 x 8.0
	10	29.0	208-240	174662.00 <i>f</i>	2213	10.98	10.0 x 8.04 x 8.0
400-480 Volts	1/2	1.1	400-480	174671.00	773	3.6	8.0 x 6.28 x 4.47
	1	2.1	400-480	174672.00	832	3.6	8.0 x 6.28 x 4.47
	1 1/2	3.0	400-480	174673.00	900	5.9	8.0 x 6.28 x 6.31
	2	3.5	400-480	174674.00	981	5.9	8.0 x 6.28 x 6.31
	3	4.8	400-480	174675.00	1118	5.9	8.0 x 6.28 x 6.31
	5	8.2	400-480	174676.00	1386	11.58	10.0 x 8.96 x 8.0
	7 1/2	11.0	400-480	174677.00	1745	11.58	10.0 x 8.96 x 8.0
	10	14.0	400-480	174678.00 <i>f</i>	2086	10.98	10.0 x 8.04 x 8.0
480-590 Volts	1	1.7	480-590	174663.00	900	3.61	8.0 x 6.28 x 4.47
	2	2.7	480-590	174664.00	1064	5.9	8.0 x 6.28 x 6.31
	3	3.9	480-590	174665.00	1231	5.9	8.0 x 6.28 x 6.31
	5	6.1	480-590	174666.00	1522	11.58	10.0 x 8.96 x 8.0
	7 1/2	9.0	480-590	174667.00	1926	11.58	10.0 x 8.96 x 8.0
	10	11.0	480-590	174668.00 <i>f</i>	2295	10.98	10.0 x 8.04 x 8.0

f = fan cooled - other controls are convection cooled

Specifications are subject to change without notice



DC Motors

Gearmotors

Ac / DC Controls

Accessories / Kits

Mods / Factory Options

X-Ref / Index

Tech Information

Terms / Warnings

Other Products

AC / DC Controls

SM Plus Sub-Micro AC Inverters IP 20 Enclosure Protection



SM PLUS

General Specifications:

- Ultra-compact designs include 18 isolated I/O terminals plus
- RS485 Modbus® serial communication

Features:

- Removable electronic programming module
- Input line voltage calibration—optimizes over and under voltage trip levels
- Current limit to 180% with frequency foldback
- Adjustable carrier frequency (4 to 10 kHz)
- Adjustable V/Hz
- Output frequency to 240 Hz
- Seven preset speeds
- Automatic restart after fault
- Control via drive face, terminal strip or optional remote keypad
- Coast or ramp to stop
- Independent accel and decel adjustment
- Forward only or forward and reverse direction
- Adjustable DC injection braking
- Speed reference: Keypad, 0-10 VDC, or 4-20 mA
- Speed reference calibration
- Speed and load indicating output signal selection: 0-10 VDC or 4-20mA
- Output signal calibration
- Fixed boost for high starting torque
- Accel boost for high torque accelerating at any speed
- Slip compensation
- Three-digit LED display
- Password protection
- Fault history: Stores eight previous trips
- Terminal status indication
- IP20 enclosure with finger safe terminals
- Dynamic braking and remote keypad kits available on pages 362 and 363

AC / DC Controls
SM Plus Sub-Micro AC Inverters
IP 20 Enclosure Protection

Single Phase Input / Three Phase Output
(Use with three phase 230V motor)

Voltage	HP	Output Amps	Input Voltage	Catalog Number	List Price	App. Wgt. (lbs)	Dimensions H x W x D (in.)
115/230 Volts	1	4.2	115/230	174492.00	966	4	B1
	1 1/2	6.0	115/230	174445.00	1090	5	B1

Specifications are subject to change without notice

Single or Three Phase Input / Three Phase Output
(Use with three phase 230V motor)

Voltage	HP	Output Amps	Input Voltage	Catalog Number	List Price	App. Wgt. (lbs)	Dimensions H x W x D (in.)
200-240 Volts	1/4	1.4	200-240	174452.00	692	2	A1
	1/2	2.2	200-240	174453.00	723	2	A1
	1	4.2	200-240	174454.00	777	3	A2
	1 1/2	6.0	200-240	174493.00	924	4	B1
	2	6.8	200-240	174494.00	1022	5	B2
	3	9.6	200-240	174495.00	1239	5	B2
	5	15.2	200-240	174444.00	1700	8	C1

Specifications are subject to change without notice

Three Phase Input / Three Phase Output

Voltage	HP	Output Amps	Input Voltage	Catalog Number	List Price	App. Wgt. (lbs)	Dimensions H x W x D (in.)
200-240 Volts	1	4.2	200-240	174455.00	716	3	A2
	1 1/2	6.0	200-240	174456.00	840	3	A3
	2	6.8	200-240	174457.00	928	4	A3
	3	9.6	200-240	174458.00	1106	4	A3
	5	15.2	200-240	174446.00	1424	4	B2
	7 1/2	22	200-240	174438.00	1946	8	C1
	10	28	200-240	174439.00	2324	8	C1
	15	42	200-240	174429.00	3009	13	D1
	20	54	200-240	174430.00	3691	14	D1
	400-480 Volts	1/2	1.1	400-480	174459.00	806	2
1		2.1	400-480	174460.00	868	3	A2
1 1/2		3.0	400-480	174461.00	949	3	A3
2		3.4	400-480	174462.00	1047	4	A3
3		4.8	400-480	174463.00	1168	4	A3
5		7.6	400-480	174447.00	1490	5	B2
7 1/2		11	400-480	174440.00	1946	8	C1
10		14	400-480	174441.00	2324	8	C1
15		21	400-480	174431.00	2950	13	D1
20		27	400-480	174432.00	3613	14	D1
25		34	400-480	174433.00	4301	14	D1
30		40	400-480	174500.00	4998	14	D1
480-590 Volts		1	1.7	480-590	174464.00	928	3
	2	3.0	480-590	174491.00	1112	4	A3
	3	4.2	480-590	174497.00	1320	5	B2
	5	6.6	480-590	174448.00	1615	5	B2
	7 1/2	9.9	480-590	174442.00	2097	8	C1
	10	12.2	480-590	174443.00	2485	8	C1
	15	19	480-590	174434.00	3255	8	D1
	20	24	480-590	174435.00	3980	14	D1
	25	27	480-590	174436.00	4709	14	D1

Specifications are subject to change without notice



DC Motors

Gearmotors

Ac / DC Controls

Accessories / Kits

Mods / Factory Options

X-Ref / Index

Tech Information

Terms / Warnings

Other Products

AC / DC Controls

SM Series Sub-Micro AC Inverters IP 20 Enclosure Protection



SM SERIES

General Specifications:

- For applications that require less control features that you may find in the SM-Plus series inverters
- Provides 11 isolated I/O terminals with one Form A relay output

Features:

- Removable electronic programming module
- Input line voltage calibration—optimizes over and under voltage trip levels
- Current limit to 180% with frequency foldback
- Adjustable carrier frequency (4 to 10 kHz)
- Adjustable V/Hz
- Output frequency to 240 Hz
- Seven preset speeds
- Automatic restart after fault
- Control via drive face, terminal strip or optional remote keypad
- Coast or ramp to stop
- Independent accel and decel adjustment
- Forward only or forward and reverse direction
- Adjustable DC injection braking
- Speed reference: Keypad, 0-10 VDC, or 4-20 mA
- Speed reference calibration
- Fixed boost for high starting torque
- Accel boost for high torque accelerating at any speed
- Slip compensation
- Three-digit LED display
- Password protection
- Fault history: Stores eight previous trips
- Terminal status indication
- Default parameter reset
- IP20 enclosure with finger safe terminals
- Dynamic braking and remote keypad kits available on pages 362 and 363

AC / DC Controls

SM Series Sub-Micro AC Inverters

IP 20 Enclosure Protection

Single Phase Input / Three Phase Output (Use with three phase 230V motor)

Voltage	HP	Output Amps	Input Voltage	Catalog Number	List Price	App. Wgt. (lbs)	Dimensions H x W x D (in.)
110-120 Volts	1/3	1.7	110-120	174263.00	471	2	A5
	1/2	2.4	110-120	174264.00	511	2	A5
	1	4.2	110-120	174265.00	679	3	B5
	1 1/2	6.0	110-120	174266.00	770	3	B5

Specifications are subject to change without notice

Single Phase Input / Three Phase Output (Use with three phase 230V motor)

Voltage	HP	Output Amps	Input Voltage	Catalog Number	List Price	App. Wgt. (lbs)	Dimensions H x W x D (in.)
200-240 Volts	1/3	1.7	200-240	174267.00	435	2	A5
	1/2	2.4	200-240	174268.00	459	2	A5
	1	4.2	200-240	174270.00	511	3	A6
	1 1/2	6.0	200-240	174271.00	615	4	B5
	2	7.0	200-240	174272.00	724	5	B5
	3	9.6	200-240	174273.00	851	5	B6
	5	15.2	200-240	174444.00	1700	8	C1

Specifications are subject to change without notice

Three Phase Input / Three Phase Output

Voltage	HP	Output Amps	Input Voltage	Catalog Number	List Price	App. Wgt. (lbs)	Dimensions H x W x D (in.)
200-240 Volts	1/2	2.4	200-240	174274.00	435	2	A5
	1	4.2	200-240	174276.00	484	2	A6
	1 1/2	6.0	200-240	174277.00	575	3	A7
	2	7.0	200-240	174278.00	656	3	A7
	3	9.6	200-240	174279.00	727	3	B6
	5	15.2	200-240	174288.00	927	5	B2
	7 1/2	22.0	200-240	174280.00	1281	8	C1
	10	28.0	200-240	174290.00	1303	8	C1
	15	42.0	200-240	174292.00	2343	14	D1
	400-480 Volts	1/2	1.1	400-480	174281.00	584	2
1		2.1	400-480	174282.00	623	3	A2
1 1/2		3.0	400-480	174283.00	677	3	A3
2		3.4	400-480	174284.00	723	4	A3
3		4.8	400-480	174286.00	792	4	B1
5		7.8	400-480	174287.00	948	5	B2
7 1/2		11	400-480	174285.00	1231	5	B2
10		14	400-480	174291.00	1466	8	C1
15		21	400-480	174293.00	1733	8	C1

Specifications are subject to change without notice



- DC Motors
- Gearmotors
- Ac / DC Controls
- Accessories / Kits
- Mods / Factory Options
- X-Ref / Index
- Tech Information
- Terms / Warnings
- Other Products

AC / DC Controls

SM Vector Series AC Inverters

IP 20 Enclosure Protection

(To Be Obsoleted Once Inventory Is Depleted)

SM VECTOR



General Specifications:

- Sensorless Vector AC Drive delivers up to 200% starting torque and can control a vector duty motor down to 1Hz at full output torque!

Modes of operation:

- Constant torque V/Hz
- Variable torque V/Hz
- Sensorless vector – speed mode
- Sensorless vector – torque mode
- Auto tuning determines key performance values based on the motor and installation variables
Required for operation in vector modes, but can be used to enhance performance in V/Hz mode
- The SM-Vector drive is an approved thermal overload protection device for single motor applications
- 18 isolated terminals provide 5 logic inputs and 2 logic outputs
- Two reference inputs allow for 4-20mA and either 0-10V or bipolar -10 to +10V
- Two analog outputs indicate speed and load
- Two wire RS485 serial communication
- Dynamic braking and remote keypad kits available on pages 362 and 363

Features:

- Easy setup and operation – Program the SM-Vector drive one of four different ways:**
- From the front of the drive
 - The optional remote keypad
 - A PC using the TechLink software
 - The EPM Programmer

Single or Three Phase Input / Three Phase Output

Voltage	HP	Output Amps	Input Voltage [Ⓛ]	Catalog Number	List Price	App. Wgt. (lbs)	Dimensions H x W x D (in.)
200-240 Volts	1/2	2.2	200-240	174000.00	726	2	A1
	1	4.2	200-240	174001.00	816	3	A2
	1 1/2	6.0	200-240	174002.00	969	4	B1
	2	6.8	200-240	174003.00	1073	5	B2
	3	9.6	200-240	174004.00	1303	5	B2

Specifications are subject to change without notice

Three Phase Input / Three Phase Output

Voltage	HP	Output Amps	Input Voltage [Ⓛ]	Catalog Number	List Price	App. Wgt. (lbs)	Dimensions H x W x D (in.)	
200-240 Volts	1	4.2	200-240	174006.00	750	3	A2	
	1 1/2	6.0	200-240	174007.00	884	3	A3	
	2	6.8	200-240	174008.00	974	4	B2	
	3	9.6	200-240	174009.00	1163	4	B2	
	5	15.2	200-240	174010.00	1496	4	B2	
	7 1/2	22	200-240	174011.00	2041	8	C1	
	10	28	200-240	174012.00	2439	8	C1	
	400-480 Volts	1/2	1.1	400-480	174015.00	847	2	B1
		1	2.1	400-480	174016.00	911	3	B1
		1 1/2	3.0	400-480	174017.00	996	3	B1
2		3.4	400-480	174018.00	1099	4	B2	
3		4.8	400-480	174019.00	1229	4	B2	
5		7.8	400-480	174020.00	1566	5	B2	
7 1/2		11	400-480	174021.00	2041	8	C1	
480-590 Volts	10	14	400-480	174022.00	2439	8	C1	
	1	1.7	480-590	174027.00	974	3	B1	
	2	3.0	480-590	174028.00	1167	4	B2	
	3	4.2	480-590	174029.00	1386	5	B2	
	5	6.6	480-590	174030.00	1695	5	B2	
	7 1/2	9.9	480-590	174031.00	2201	8	C1	
10	12.2	480-590	174032.00	2609	8	C1		

Specifications are subject to change without notice



Dynamic Braking Components For The Micro Series Drives Micro Series Drives can be modified to include dynamic braking. The modifications involve replacing board(s) inside of the drive as well as adding a Dynamic Braking Resistor in a separate enclosure. Larger drives require a combination of Dynamic Braking Board and an additional Form C Relay Board. Instructions are included with the boards. Also available as a modification, see Mod Squad section, see page 378.

Dynamic Braking Boards*

Drive HP	Drive Voltage Rating	Catalog Number	List Price	App. Wgt. (lbs)
1/2-3	All	174184.00	429	2
5	200-230V	174185.00	467	2
5	460-480V	174185.00	467	2
5	550-575V	174184.00	429	2

* βDynamic braking resistors are required with the dynamic braking boards.

Specifications are subject to change without notice

Dynamic Braking Resistors**

Drive HP	Drive Voltage Rating	Catalog Number	List Price	App. Wgt. (lbs)	
1/2	200-230V	174178.00	189	1	
1	200-230V	174179.00	189	1	
	460-480V	174179.00	189	1	
	550-575V	174178.00	189	1	
1 1/2	200-230V	174179.00	189	1	
	2	200-230V	174180.00	189	1
		460-480V	174180.00	189	1
3	550-575V	174179.00	189	1	
	3	200-230V	174182.00	267	1
		460-480V	174182.00	267	1
5	550-575V	174181.00	267	1	
	5	200-230V	174183.00	267	1
		460-480V	174183.00	267	1
7 1/2	550-575V	174182.00	267	1	
	7 1/2	200-230V	174143.00	310	1
		460-480V	174143.00	310	1
10	550-575V	174148.00	310	1	
	10	200-230V	174143.00	310	1
		460-480V	174143.00	310	1
15-20	550-575V	174148.00	310	1	
	15-20	200-230V	174144.00	471	1
		460-480V	174144.00	471	1
25-30	550-575V	174149.00	483	1	
	25-30	200-230V	174145.00	795	1
		460-480V	174145.00	795	1
40	550-575V	174140.00	815	1	
	40	460-480V	174146.00	1037	1
		550-575V	174141.00	1037	1
50-60	460-480V	174147.00	1199	1	
	550-575V	174142.00	1199	1	

** Dynamic braking Resistors are provided with mounting brackets.

Specifications are subject to change without notice

Dynamic Braking Boards With Form C Relay Board*

Drive HP	Drive Voltage Rating	Catalog Number	List Price	App. Wgt. (lbs)
7 1/2	200-230V	174192.00	413	2
7 1/2	460-480V	174193.00	413	2
7 1/2	550-575V	174193.00	413	2
10-60	All	174192.00	413	2

* Dynamic braking resistors are required with the dynamic braking boards.

Specifications are subject to change without notice

AC Control Kits



Cable and Keypad are purchased separately. Installing the remote keypad and cable involves partially dis-assembling the drive. Instructions are included with the keypad. Also available as a modification, see Mod Squad section.

Remote Keypads & Cables (For Micro Series, NEMA 1, Drives*)

Item	Catalog Number	List Price	App. Wgt. (lbs)
Keypad	174177.00	248	2
2.5 ft. Cable	174174.00	73	2
5 ft. Cable	174175.00	105	2
10 ft. Cable	174176.00	170	2

* Compatible with any Micro Series, NEMA 1, drive.

NOTE: Using the remote keypad on a WASHGUARD Duty Inverter is not recommended, for the control will no longer meet NEMA 4/12 sealing requirements.

Specifications are subject to change without notice

AC / DC Controls

Micro Series Dimension Information

Techlink Programming and Monitoring Software

TechLink Software is a powerful Drive Configuration tool that works in a Microsoft Windows environment. TechLink supports the following drives sold by LEESON: Micro Series, SM Plus Series and SM Vector Series.

TechLink allows a drive program to be created off line and to access the drive directly while connected over RS232 or RS485 (depending on the drive). RS485 supports several drives on one drive network but will require an RS232 to RS485 converter for most personal computers.

First time users visit LEESON's website, under "Links and Downloads" to download TechLink Software.

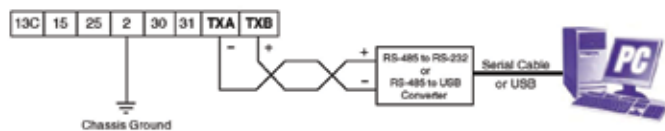
LEESON frequently updates Techlink software and the Models files to keep current with our expanding product offering and upgrades to our existing lines. If you have Techlink software installed on your computer and would like to check to see if you have the most current version of the TechLink program or the Models data, check the versions on the opening TechLink screen to the versions below. You will only need to download the program that has been updated. Each program below is a self extracting zip file; after expanding, run setup.exe to install.

The diagrams below illustrate how to connect the LEESON Micro Series, SM Plus and SM Vector Series drives to a computer in order to use the TechLink software.

Note 1: When using serial communications, terminal 2 on the drive MUST be connected to chassis ground.

SM Plus & SM Vector Series

The SM Plus and SM Vector Series drives are RS-485, so a RS-232 to RS-485 or USB to RS-485 converter is required. The converter connects to the computer using a standard serial connection. A twisted pair connects the converter to the drive.

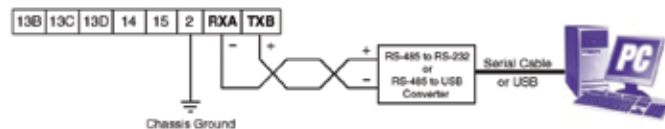


SM Plus & SM Vector Series Control Strip

Note 2: Refer to the converter manufacturer's instructions for proper converter configuration. The converter is not supplied by LEESON.

Micro Series

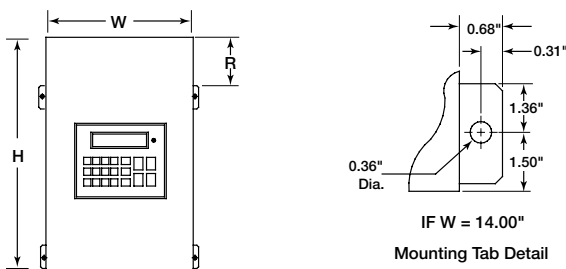
The Micro Series is RS-485, so a RS-232 to RS-485 or USB to RS-485 converter is required. The converter connects to the computer using a standard serial or USB connection. A twisted pair connects the converter to the drive.



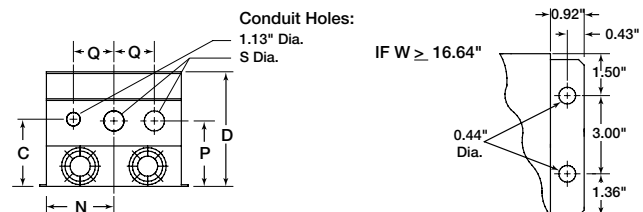
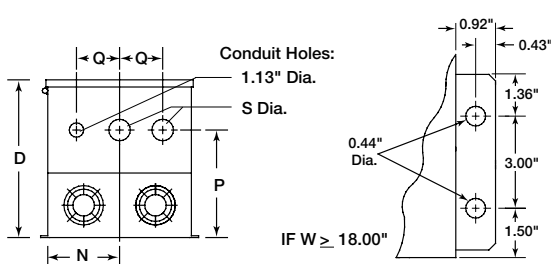
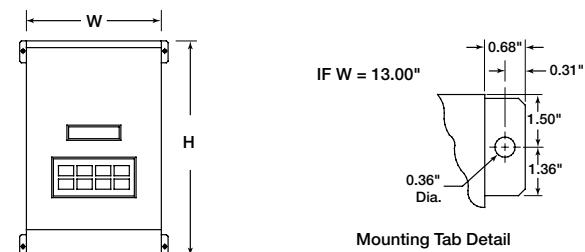
Micro Series Control Strip

Note: 3 Refer to the converter manufacturer's instructions for proper converter configuration. The converter is not supplied by LEESON.

Type 12 Dimensions for models rated above 30HP at 240/200 VAC and 60 HP at 400/480 VAC

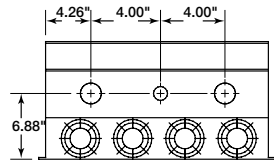


Type 1 Dimensions for models rated above 30HP at 240/200 VAC and 60 HP at 590/480/400 VAC



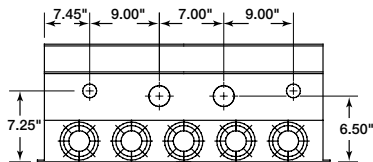
Dimension Information for Micro Series Drives

CONDUIT HOLES FOR 174578.00



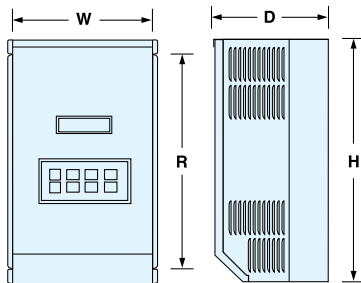
Conduit Holes: Large holes = 1.75"
Small hole = 1.13"

CONDUIT HOLES FOR 174586.00

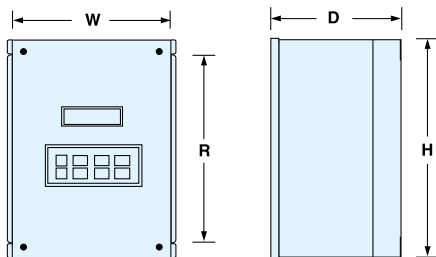


Conduit Holes: Large holes = 3.00"
Small holes = 1.13"

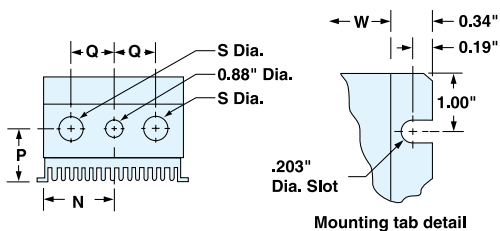
NEMA 1 ONLY



NEMA 4/12 WASHGUARD ONLY



NEMA 1 & NEMA 4/12



Micro Series Inverter - Dims. (Inches) - NEMA 1, NEMA 4/12 & NEMA 4X

Dimension Key	H	W	D	N	P	Q	R	S
A	7.5	4.7	3.33	2.35	1.6	1.37	5.5	0.88
B	7.5	4.7	3.63	2.35	1.9	1.37	5.5	0.88
C	7.5	4.7	4.33	2.35	2.6	1.37	5.5	0.88
D	7.5	6.12	4.22	3.77	2.4	1.37	5.5	0.88
E	7.5	6.12	5.12	3.77	3.3	1.37	5.5	0.88
F	7.88	7.86	5.94	5.13	3.95	1.5	5.88	1.13
G	7.88	6.12	4.35	3.06	2.7	1.37	5.88	0.88
H	7.88	7.86	4.9	4.8	3.25	1.37	5.88	0.88
I	9.38	7.86	6.25	5.13	3.95	1.5	7.38	1.13
J	7.88	7.86	5.9	4.8	4.25	1.37	5.88	0.88
K	9.75	10.26	7.2	5.13	5.25	2	7.75	1.13
L	11.25	7.86	6.84	3.93	4.19	2	7.75	1.38
M	9.38	7.86	6.84	3.93	4.19	2	5.88	1.13
N	12.75	7.86	6.84	3.93	4.19	2	9.25	1.38
O	12.75	7.86	7.4	3.93	4.19	2	9.25	1.38
P	12.75	10.26	7.74	5.13	5	2.5	9.25	1.38
Q	11.75	10.26	8.35	5.13	5.75	2	9.75	1.13
R	9.38	7.86	7.4	3.93	4.19	2	5.88	1.13
S	12.75	10.26	8.25	5.13	5	2.5	9.25	1.38
T	15.75	10.26	8.35	5.13	5.75	2.5	12.25	1.38
U	13.75	10.26	8.35	5.13	5.75	2	11.75	1.38
V	15.75	10.26	8.35	5.13	5.75	2	13.75	1.38
W	19.75	10.26	8.55	5.13	5.75	2.5	16.25	1.75
X	7.88	7.86	3.75	4.8	2.1	1.37	5.88	0.88
Y	7.88	6.12	5.25	3.06	3.6	1.37	5.88	0.88
Z	20.25	10.26	8.35	5.13	5.75	2	16.25	1.38
AA	15.75	10.26	8.35	5.13	5.75	2	11.75	1.38
AB	21	13.72	8.35	5.13	6.1	2	16.25	1.38
AC	7.5	6.12	3.63	3.77	1.8	1.37	5.5	0.88
AD	7.88	6.12	3.63	3.06	2	1.37	5.88	0.88
AE	25	13	10.5	5.56	6.5	2.62	-	1.38
AF	47	16.64	11.85					SEE CHART
AG	29	16.64	11.85	7.14	6.88	3.12	-	1.75
AH	29	24.42	11.85	11.12	6.5	4.5	-	2.5
AI	29	36.66	11.85	11.5	9	4.5	-	2.5
AJ	37	18	13.3	7.5	8	3.13	7.14	1.75
AK	39	26	13.3	11.5	9	4.5	9.14	2.5
AL	29	36.66	11.85					SEE CHART
AM	31	14	11.86	6	7.5	2.62	5.64	1.38
AN	49	18	13.3	7.5	8	3.13	7.14	1.75
AO	39	26	13.3	11.5	9	4.5	9.14	2.5



DC Motors

Gearmotors

Ac / DC Controls

Accessories / Kits

Mods / Factory Options

X-Ref / Index

Tech Information

Terms / Warnings

Other Products

AC / DC Controls

AC Control Kits

Accessories For The SM, SM-Plus & SM Vector Series Drives



Dynamic Braking Modules With Built-in Dynamic Braking Resistors[⊠]

Dynamic Braking Components for the SM, SM-Plus & SM Vector Series Drives Dynamic braking is available for the SM, SM-Plus and SM Vector series drives as a separate Dynamic Braking Module. Lower HP modules have the control electronics and the dynamic braking resistor in one convenient package. Larger units require a separate resistor. The modules can be panel or DIN rail mounted.

Drive HP	Motor Voltage Rating	Catalog Number	List Price	App. Wgt. (lbs)
1/4-1/2	208-230V	174400.00	319	2
	400-480V	174406.00	319	2
1 - 1 1/2	208-230V	174401.00	371	3
	400-480V	174407.00	371	3
1 - 1 1/2	480-590V	174412.00	371	3
2 - 3	208-230V	174402.00	503	4
	400-480V	174408.00	503	4
	480-590V	174413.00	503	4
5	208-230V	174403.00	657	5
	400-480V	174409.00	657	5
	480-590V	174414.00	657	5
7 1/2	208-230V	174404.00	831	6
	400-480V	174410.00	831	6
	480-590V	174415.00	831	6
10	208-230V	174405.00	1003	8
	400-480V	174411.00	1003	8
	480-590V	174416.00	1003	8

[⊠] Braking Resistors are included with the module and not purchased separately.

Specifications are subject to change without notice

Electronic Programing Unit

Electronic Programming Unit allows off-line set-up and replication of the drive's plug-in electronic programming module (shown at right). Excellent for multi-drive applications. Keypad input and alphanumeric display simplify programming. RS-232 serial port allows downloading of configuration files from personal computer.



Catalog Number	List Price	App. Wgt. (lbs)
174189.00	883	2

DIN Rail - Mounting Kits

Steel plates and fasteners for mounting drives on standard 35mm DIN rails for panel building. Set of six. 174186 for "A" chassis drives. 174187 for "B" chassis drives. 174188 for "C" chassis drives.

Catalog Number	List Price	App. Wgt. (lbs)
174186.00	181	3
174187.00	203	3
174188.00	242	3



Accessories For The SM2 Flux Vector Series Drives Dynamic Braking Components for the SM2 Vector Series Drives



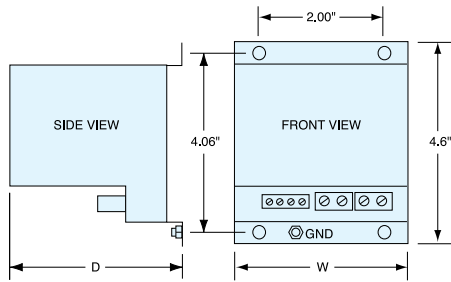
Dynamic Braking Modules With Built-in Dynamic Braking Resistors[⊠]

Dynamic Braking Components for the SM2 Vector Series Drives Dynamic braking is available for the SM2 Vector Series drives as a separate Dynamic Braking Module. 10 HP and lower modules have control electronics and the dynamic braking resistor in one convenient package. Larger units require a separate resistor. The modules can be panel or DIN rail mounted.

Drive HP	Motor Voltage Rating	Catalog Number	List Price	App. Wgt. (lbs)
1/3-1/2	208 - 230V	174157.00	311	2
	400 - 480V	174158.00	311	2
1 - 1 1/2	208 - 230V	174151.00	363	3
	400 - 480V	174152.00	363	3
	480 - 590V	174153.00	363	3
2 - 3	208 - 230V	174154.00	495	4
	400 - 480V	174155.00	495	4
	480 - 590V	174156.00	495	4
5	208 - 230v	174159.00	645	5
	400 - 480V	174160.00	645	5
	480 - 590V	174161.00	645	5
7 1/2	208 - 230V	174162.00	814	6
	400 - 480V	174163.00	814	6
	480 - 590V	174164.00	814	6
10	208 - 230V	174165.00	983	8
	400 - 480V	174166.00	983	8
	480 - 590V	174167.00	983	8

[⊠] Braking Resistors are included with the module and not purchased separately.

Specifications are subject to change without notice



Dynamic Braking Modules Without Resistors*

Drive HP	Motor Voltage Rating	Catalog Number	List Price	App. Wgt. (lbs)
15-20	208-230V	174417.00	429	10
15-30	400-480V	174418.00	429	10
15-25	480-590V	174419.00	429	10

* Dynamic Braking Resistors are purchased and mounted separately. Specifications are subject to change without notice

Dynamic Braking Resistors**

Drive HP	Motor Voltage Rating	Catalog Number	List Price	App. Wgt. (lbs)
15-20	208-230V	174144.00	471	1
15-20	400-480V	174144.00	471	1
15-20	480-590V	174149.00	483	1
15-30	400-480V	174145.00	795	1
25	480-590V	174140.00	815	1

** Dynamic Braking Resistors are provided with mounting brackets. Specifications are subject to change without notice

SM4 Remote Keypad

Potentiometer Kit takes the place of the up/down buttons on the drive's keypad gives operators hands-on speed control over the Inverter's speed range

Use with Width (W) dim. of:	Catalog Number	List Price	App. Wgt. (lbs)
6.28 or 7.12	174693.00	152	2
8.04 or 8.96	174697.00	157	2

Specifications are subject to change without notice



EPM Bulk Pack

Plug-in electronic programming modules (EPM). Allow off-line set-up and replication of program using Electronic Programming Unit. Set of 10.

Catalog Number	List Price	App. Wgt. (lbs)
174190.00	195	1

Specifications are subject to change without notice



Remote Keypad

Remote keypad kit for includes eight-foot connecting cable and gasket. Mounted in proper enclosure, the keypad kit will provide up to NEMA 4 protection. These keypads can only be used with Sub-Micro drives manufactured May, 1999 or later (date code of 9922 or higher).

Drive Type	Catalog Number	List Price	App. Wgt. (lbs)
SM Plus	174191.00	255	2
SM Series	174194.00	207	2
SM Vector	174306.00	255	2
SM2 Vector	174150.00	250	2

Specifications are subject to change without notice



Inverter Accessory Parts

Discriptor	Catalog Number	List Price
Micro Series Keypad	006707.01	59
Speed Pot (10k/5w pot, washers & nut)	006708.01	62

Specifications are subject to change without notice



Accessories / Kits

NEMA D Flange Kits - LEESON Motors Only



Motor Accessories - Field Installed Steel and Cast Iron Frame Motors

Includes parts to convert a rigid base mounted motor to NEMA D face with base.

Shaded frame indicates cast iron motor kits for 150 and 170 series motors.

NOTE: The D Flange Kits can only be used on rigid base motors. They will not fit NEMA C face motors.

Frame	Enclosure	D Flange Kit Catalog Number	List Price	App. Wgt. (lbs.)	♥ Notes
143T-145T	Enclosed	163115.60	136	6	
182T-184T*	Open / Enclosed	175694.00	265	12	D
	Open	175101.00	253	13	G
213T-215T	Enclosed	175658.60	281	12	G
	Enclosed	175396.60	281	14	
	Enclosed	175114.60	414	14	
	Open	175115.60	414	14	G
254T-256T	Enclosed	175959.60	414	14	
	Open	175116.60	531	25	
284T-286T	Enclosed	175192.60	531	25	
	Open	175118.60	635	42	
324T-326T	Enclosed	175119.60	635	52	
	Open	175120.60	814	57	G
	Enclosed	175121.60	814	57	
364T-365T	Enclosed	175455.60	1102	57	
	Open	175955.60	960	72	
	Enclosed	175657.60	960	72	
	Open	175602.60	1199	72	
404T-405T	Enclosed	175604.60	1199	72	
	Open	175956.60	1333	90	
444T-445T	Enclosed	175957.60	1333	90	
	Open	175607.60	1544	106	
	Enclosed	175608.60	1544	106	I

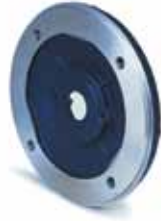
Green items Are For Premium Efficient Motors Only

Shaded frames are for Cast Iron Motors

Specifications are subject to change without notice

♥ Notes:

- D Use this kit for 182-4T and S213T motors with catalog numbers 131454 and higher, or with a G prefix.
- F For use with 213T-215T 3600 RPM motors only.
- G Not for use with Premium efficient motors
- H WATTSAYERe® II design, having oversized frame body.
- I For use with 1200 and 1800 RPM motors only.



Motor Accessories - Field Installed
LEESON - Steel Frame Motors

Includes parts to convert a rigid base mounted motor to NEMA C face with base.
The C Face Kits cannot be used as replacements on a factory-produced C face motor.
For motors with Catalog Numbers 092000–140999

Frame	Enclosure	Catalog Number	List Price	App. Wgt. (lbs.)	♥ Notes
42	Open / Enclosed	175661.00	55	2	
48	Open / Enclosed	175969.00	55	2	A
		175646.00	55	2	B
S56	Open	175000.00	55	2	
	Enclosed	175180.00	55	2	
	Open / Enclosed	175297.00	55	2	A
	Open / Enclosed	175647.00	55	2	B
56	Open	175075.00	65	2	
	Enclosed	175076.00	65	2	
(see note 2)	Enclosed	M064076.00	58	2	C
143T-145T	Open	175181.00	65	2	
	Enclosed	175077.00	65	2	
182T-184T	Open / Enclosed	175691.00	79	3	D
182T-184T Special	Open / Enclosed	175294.00	79	5	E
S213T	Open / Enclosed	175693.00	150	2	D
213T-215T	Open	175845.00	150	19	
(1750,1140, & 850 RPM)	Enclosed	175844.00	150	15	
213T-215T	ODP	175303.00	141	15	F
(3450 RPM)	Enclosed	175304.00	141	15	F

Specifications are subject to change without notice

- 1) When changing a rigid mount motor to C Face motor, a non-NEMA BA dimension may result.
- 2) Some larger HP 56-frame motors have larger shaft-end bearings and require a 143T-145T C Face kit. Contact LEESON.

♥ Notes:

- A For use with motors having "K" or "P" suffix on date code.
- B For motors manufactured after January 1, 2007, having a "B" suffix letter after the motor's date code.
- C For use with Industry-Ag motors only, see page 182
- D Use this kit for 182-4T and S213T motors with catalog numbers 131454 and higher, or with a G prefix.
- E Converts a 182T-184T frame motor to the C-face dimensions of a 143T-145T or 182U184U frame motor –
- F For use with 213T-215T 3600 RPM motors only.



DC Motors

Geomotors

Ac / DC Controls

Accessories / Kits

Motors / Factory Options

X-Ref / Index

Tech Information

Terms / Warnings

Other Products

Accessories / Kits

NEMA C Face Kits

Motor Accessories - Field Installed Lincoln - Steel Frame Motors

Models - SREW, SSEW, SRD, SSD, SRF, SSF, SF

Frame	SYN RPM	Enclosure	Catalog Number	List Price	App. Wgt. (lbs.)	♥ Notes
56	All	SREW, SRD	LM24631	65	2	1
56	All	SREW, SRD	LM24807	65	2	2
56	All	SRF	LM24808	65	2	1
56	All	SRF	LM24810	65	2	2
143T-145T	All	SSEW, SSD	LM24807	65	2	2
143T-145T	All	SSF	LM24810	65	2	2
182T-184T	All	SSF	LM25736	126	12	
182T-184T	All	SSEW, SRD, SSF	175691.00	79	3	4
213T-215T	All	SSEW, SSD	LM25737	149	15	
213T-215T	All	SSF	LM25738	149	12	
254T-256T	All	SSD	LM25740	192	13	
284T/TS-286T/TS	2 & 6-Pole	SD	LM24062	357	20	3
324T/TS-326T/TS	All	SD	LM24063	465	47	
324T/TS-326T/TS	All	SF	LM24057	517	33	
364T/TS-365T/TS	All	SD	LM24064	779	53	
364T/TS-365T/TS	All	SF	LM24058	779	33	
404T/TS-405T/TS	All	SD	LM24065	1,026	55	
404T/TS-405T/TS	All	SF	LM24059	1,026	53	
444T/TS-445T/TS	3600	SD	LM24066	1,120	80	
444T/TS-445T/TS	1200 & 1800	SD	LM24067	1,120	88	
444T/TS-445T/TS	3600	SF	LM24060	1,240	98	
444T/TS-445T/TS	1800	SF	LM24061	1,240	98	
447T/TS-449T/TS	3600	SD	LM24068	1,240	98	
447T/TS-449T/TS	1200 & 1800	SD	LM24069	1,240	98	
447T/TS-449T/TS	1200 & 1800	SF	LM32293	1,229	98	

Specifications are subject to change without notice

When changing a rigid mount motor to C Face motor, a non-NEMA BA dimension may result.

♥ Notes:

- 1 - 56 frames with 203 drive end bearing
- 2 - 56 frames with 205 drive end bearing
- 3 - For 2-Pole and 6-Pole motors
- 4 - Motors built having the letter "M" after the date code



DC Motors

Gearmotors

AC / DC Controls

Accessories / Kits

Mots / Factory Options

X-Ref / Index

Tech. Information

Terms / Warnings

Other Products

Motor Accessories - Field Installed
LEESON - Cast Iron Motors

Includes parts to convert a rigid base mounted motor to NEMA C face with base.
The C Face Kits cannot be used as replacements on a factory-produced C face motor.
For 150, G150 and 170 Series Cast Iron Motors Only

Frame	Enclosure	Catalog Number	List Price	App. Wgt. (lbs.)	♥ Notes
143T-145T	Enclosed	163116.60	136	6	
182T-184T	Enclosed	175805.60	179	12	
213T-215T	Open	175066.60	179	15	
	Enclosed	175068.60	179	15	G
254T-256T	Enclosed	175869.60	179	15	
	Open	175067.60	274	25	
284T-286T	Enclosed	175191.60	274	25	
	Open	175058.60	381	42	
324T-326T	Enclosed	175061.60	381	42	
	Open	175059.60	494	57	G
364T-365T	Open	175454.60	494	57	
	Enclosed	175062.60	494	57	
	Open	175060.60	826	75	
404T-405T	Enclosed	175063.60	826	49	
	Open	175601.60	826	75	H
	Enclosed	175603.60	826	75	H
444T-445T	Open	175605.60	1087	60	
	Enclosed	175199.60	1087	60	
447T-449T	Open	175606.60	1189	115	
	Enclosed	175664.60	1189	115	
	Enclosed	175958.60	1315	112	

Green items Are For Premium Efficient Motors Only

Specifications are subject to change without notice

When changing a rigid mount motor to C Face motor, a non-NEMA BA dimension may result.

♥ Notes:

- G Not for use with Premium efficient motors
- H WATTSAYERe® II design, having oversized frame body.



- DC Motors
- Gearmotors
- Ac / DC Controls
- Accessories / Kits
- Mods / Factory Options
- X-Ref / Index
- Tech Information
- Terms / Warnings
- Other Products

Accessories / Kits

NEMA C Face Kits

IEEE-841 Motors C Face Kits

Used with IEEE 841 motors as listed on page 89.

Frame	Catalog Number	List Price	App. Wgt. (lbs.)
145T	175787.00	189	7
180T	175788.00	282	10
210T	175789.00	338	16
250T	175790.00	400	35
280T	175791.00	522	47
320T	175794.00	604	89
360T	175795.00	1373	95
360TS	175796.00	834	91
400T	175797.00	1062	129

Specifications are subject to change without notice

Motor Accessories - Field Installed Lincoln - Cast Iron Frame Motors

Frame	SYN RPM	Enclosure	Catalog Number	List Price	App. Wgt. (lbs.)	♥ Notes
143T	All	CCN, CCF, CCS	LM24811	65	7	
145T	All	CCN, CCF, CCS	LM24815	78	7	
182T-184T	All	CCF, CCS	LM25736	126	12	
182T-184T	All	CCF	175805.60	179	12	5
213T-215T	All	CCF, CCS	LM25739	149	20	
213T-215T	All	CCF	175869.60	179	15	5
254T-256T	All	CCF, CCS	LM27681	258	36	
254T-256T	All	CCN	LM31014	192	15	
254T-256T	All	CCF	175191.60	274	25	5
284T-286T	All	CCF, CCS	LM27576	357	42	
284T/TS-286T/TS	All	CCN	LM31019	357	35	
284T/TS-286T/TS	All	CCF	175061.60	381	42	5
324T/TS-326T/TS, 324U/ US-326U/US	All	CCF, CCS	LM28624	517	78	
324T/TS-326T/TS	All	CCF	175062.60	494	57	5
364T-365T	All	CCF, CCS	LM32284	779	78	
364T/TS-365T/TS	All	CCF	175603.60	826	75	5
364TS-365TS	All	CCF, CCS	LM32285	819	78	
364U-365U	All	CCF, CCS	LM32286	819	78	
404T-405T, 404U-405U	All	CCF, CCS	LM28501	1,026	85	
404TS-405TS	All	CCF, CCS	LM32288	1,078	85	
404T/TS-405T/TS	All	CCF	175199.60	1,087	60	5
444T-445T	All	CCF, CCS	LM32290	1,112	96	
444TS-445TS	All	CCF, CCS	LM32291	1,112	96	
444T/TS-445T/TS	All	CCF	175664.60	1,189	115	
447T-449T	All	CCF, CCS	LM32292	1,229	98	
447TS-449TS	1800 & 1200	CCF, CCS	LM32293	1,229	98	
447T/TS-449T/TS	All	CCF	175958.60	1,315	112	5

Green items Are For Premium Efficient Motors Only

Specifications are subject to change without notice

When changing a rigid mount motor to C Face motor, a non-NEMA BA dimension may result.

♥Notes

5 For Lincoln CI motors that start with LM6 and model numbers ending with AP21



Motor Accessories - Field Installed
Lincoln - Aluminum Frame Motors

Frame	SYN RPM	Enclosure	Catalog Number	List Price	App. Wgt. (lbs.)	♥ Notes
182T-184T	All	AAF	LM26679	149	10	
182T-184T	All	AAF	175691.00	149	10	6
213T-215T	All	AAF	LM30146	174	15	
254U-256U	All	AF/AAF	LM30147	258	26	
284T/TS-286T/TS	All	AF/AAF	LM20116	357	28	

Specifications are subject to change without notice

NOTE: When changing a rigid mount motor to C Face motor, a non-NEMA BA dimension may result.

♥Notes

6 For Lincoln AL motors where the model numbers end with AP26

Kits and Accessories
Rodent Screen Kits

Frame	Enclosure	Catalog Number	List Price	App. Wgt. (lbs.)
182T-184T	Open	175872.00	129	1
213T-215T	Open	175871.00	233	1
254T-256T	Open	175873.60	335	2
284T-286T	Open	175874.60	335	3
324T	Open	175894.60	786	5
326T	Open	175875.60	786	4

Shaded frames are for Cast Iron Motors

Specifications are subject to change without notice



Chemical Service/
Severe Duty Conversion Kits

Cast iron fan covers for cast iron motors. Designed to easily convert TEFC motors to all cast iron construction. All these motors have inert, corrosion resistant fiber filled thermoplastic fan as standard. Kit includes one cast iron fan cover.

NEMA Frame	IEC Frame	Catalog Number	List Price	App. Wgt. (lbs.)
182T-184T	---	175663.60	212	10
213T-215T	---	175050.60	309	12
254T-256T	160	175051.60	415	18
284T-286T	180	175052.60	727	22
324T-326T	200	175053.60	759	29
364T-365T	225	175054.60	1133	39
404T-405T	250	175055.60	1235	49
444T-445T	280	175056.60	1398	59
447T-449T	---	175891.60	1398	112

Specifications are subject to change without notice



DC Motors

Gearmotors

Ac / DC Controls

Accessories / Kits

Mods / Factory Options

X-Ref / Index

Tech Information

Terms / Warnings

Other Products

Accessories / Kits

Drip-Cover Kits

For Drip-Proof Motors - LEESON Motors Only



Each kit includes one drip-cover. Designed to protect drip-proof motors from rain, snow and ice when mounted outdoors in a vertical position.

NEMA Frame	Catalog Number	List Price	App. Wgt. (lbs.)	♥ Notes
48-S56	175003.00	52	2	
	175298.00	52	2	A
56	175004.00	59	2	
143T-145T	175792.00	59	2	A
182T-184T	175614.00	75	3	
	175961.00	69	3	
213T-215T	175846.00	106	12	
	175305.00	106	12	F
213T-215T	175962.00	106	4	
254T-256T	175963.00	135	7	

Shaded frames are for Cast Iron Motors

Specifications are subject to change without notice

♥Notes

A For use with motors having "K" or "P" suffix on date code

F For use with 213T-215T 3600 RPM motors only

Lint-Cover / Drip-Cover Kit

For TEFC Motors - LEESON Motors Only

NEMA Frame	Catalog Number	List Price	App. Wgt. (lbs.)	♥ Notes
56-143T-145T	175024.00	92	2	
	175778.00	92	2	J
182T-184T	175695.00	179	3	D
213T-215T	175849.00	106	12	K

For Steel Frame Motors Only

Specifications are subject to change without notice

♥Notes

D Use this kit for 182-4T and S213T motors with catalog numbers 131454 and higher or with a G prefix

J For motors having face mounted fan guard

K For use with 1800 RPM motors only

JP Pump Drip Cover Kits

NEMA Frame	Enclosure	Catalog Number	List Price	♥ Notes
56-145JP	ODP or TEFC	175932.00	32	
182JP-184JP	ODP	175933.00	36	
213JP-215JP	ODP	175305.00	106	L

Specifications are subject to change without notice

♥Notes:

L For use with 213T-215T (213JP-215JP) 3600 RPM motors only



Motor Accessories - Blower Fan Kits
Field Installed
LEESON Motors Only



DC Motors

Geomotors

Ac / DC Controls

Accessories / Kits

Mods / Factory Options

X-Ref / Index

Tech Information

Terms / Warnings

Other Products

These kits are used for converting LEESON motors to totally enclosed blower cooled motors. Cooling per MG1.6 (IC46) The kits are designed for inverter and vector drive applications where continuous cooling is required regardless of motor shaft speed. The kit is mounted on the back of the motor after removing the fan guard and fan. Modifying the shaft is not required.

For use with Rolled Steel TEFC Motors only

Blower Voltage	Blower Motor Phase	NEMA Frame	Catalog Number	List Price	CFM	App. Wt. (lbs.)
115	1	56-145T	175876.00	816	115	4
115	1	56-145T	175775.00 [^]	816	115	4
115	1	182-4T	175895.00	914	115	4
115	1	213-5T	175896.00	955	235	5

[^] For 56/145T motors having face mounted (plastic) fan guards.

Specifications are subject to change without notice

For use with 150, G150 & 170 Series Cast Iron TEFC Motors only

Blower Voltage	Blower Motor Phase	NEMA Frame	Catalog Number	List Price	CFM	App. Wt. (lbs.)
115	1	182-4T	175674.00	914	260	10
115	1	213-5T	175675.00	955	260	11
115	1	254-6T	175676.00	1026	260	17
115	1	284-6T	175677.00	1233	500	24
115	1	324-6T	175678.00	1314	500	28
230/460	3	360T	175879.00	2728	500	35
230/460	3	400T	175880.00	3027	500	45
230/460	3	444T/445T	175558.00	3464	500	55

Specifications are subject to change without notice



Accessories / Kits

Encoder Kits - LEESON Motors Only



Specifications:

These kits include the parts and encoder for field assembly of slim-line, through-shaft encoder designed to slip over the motor's fan end shaft. Blower kit sold separately.

Features:

- Output is 1024 pulses per revolution
- 5 to 28 VDC line driver output. Short-circuit protection is standard. Inputs are over voltage and reverse voltage protected. Electrical noise immunity exceeds international standards. Encoders are isolated from shaft currents using hard anodized sleeves and non metallic anti-rotation hardware. Designed for long-life in industrial environments using an all-metal, shock resistant code disk. The encoder is protected by the motor's fan cover after mounting. Using a blower fan kit is suggested for proper motor cooling.
- Short circuit protection
- Isolated from shaft currents
- Shock resistant code disks
- Use with blower kits to protect and cool motors

For use with rolled steel, TEFC motors only

NEMA Frame	Catalog Number	List Price
56-145T	175960.00	1147
182-4T	175897.00	1661
213-5T	175898.00	1661

Specifications are subject to change without notice

For use with 150, G150 & 170 series cast iron TEFC motors only

NEMA Frame	Catalog Number	List Price
182-4T	175684.00	1422
213-5T	175685.00	1422
254-6T	175686.00	2296
284-6T	175687.00	2296
320T	175641.00	2342
360T	175642.00	2342
400T	175643.00	2342
440T (2 pole)	175644.00	2342
440T (4/6 pole)	175645.00	2342

Specifications are subject to change without notice

For use with Speedmaster® 2000:1 motors only

Encoder Description	Enclosure	Frame	Brand / Mod	PPR	Catalog Number	List Price
Modular Mount, 5-15 VDC, with EPIC connector	TENV	143-256T	Northstar SL56	1024	E175927.00	3206
Shaft Mount, 5-26 VDC, with 10 pin connector	TENV	143-256T	Dynapar HS35	1024	E175928.00	2059
Shaft Mount, 5-26 VDC, with 10 pin connector	TENV	143-256T	BEI HS35	1024	E175929.00	2059
Shaft Mount, 5-26 VDC, with 10 pin connector	TENV	143-256T	Dynapar HS35	2048	E175930.00	2059
Shaft Mount, 5-26 VDC, with 10 pin connector	TENV	143-256T	BEI HS35	2048	E175931.00	2059
Modular Mount, 5-15 VDC (Encoder Conduit Box Required)	TEBC	284-449T	Northstar SL56	1024	E175921.00	3206
Shaft Mount, 5-26 VDC (Encoder Conduit Box Required)	TEBC	284-449T	Dynapar HS35	1024	E175922.00	2059
Shaft Mount, 5-26 VDC (Encoder Conduit Box Required)	TEBC	284-449T	BEI HS35	1024	E175923.00	2059
Shaft Mount, 5-26 VDC (Encoder Conduit Box Required)	TEBC	284-449T	Dynapar HS35	2048	E175924.00	2059
Shaft Mount, 5-26 VDC (Encoder Conduit Box Required)	TEBC	284-449T	BEI HS35	2048	E175925.00	2059
Conduit Box Required for all TEBC Units	—	—	—	—	ECB175926.00	229

Specifications are subject to change without notice



Accessories / Kits

Terminal Block Kits



Terminal block kits for 150 and 170 Series NEMA Frame Cast Iron motors. Can also be used for replacement on 193 Series Cast Iron and 192 Series aluminum IEC metric motors.

NEMA Frame	IEC Frame	Catalog Number	List Price	App. Wgt. (lbs.)
—	63-90L	175881.00 [≠]	17	1
180/210T	100/112/132	175668.60	36	2
250/280T	160/180	175667.60	40	3
320/360T	200/225	175666.60	61	4
400/440T	250/280	175665.60	95	5

[≠] Replacement terminal board for aluminum frame IEC motors.

Specifications are subject to change without notice



Accessories / Kits

Die Cast Aluminum Conduit Box Conversion Kit

LEESON Motors Only

56/140-frame kit (pictured) includes die cast aluminum conduit box, cover, gaskets, grounding screw, mounting hardware and adapter plate for mounting box on existing holes in motor. 180 and 210-frame kits include all parts required to replace the conduit box including the die cast conduit box, plug, cover, gaskets and mounting hardware. No adapter plate is required because these kits mount on existing holes. All conduit boxes have 1/2-NPT tapped lead exit holes on two adjacent sides with one hole plugged. Note: the kit will not work with larger HP single-phase 210-frame motors.

NEMA Frame	Catalog Number	List Price	App. Wgt. (lbs.)
56-140T	175892.00	76	2
182-4T	175649.00	91	2
213-5T	175847.00	111	11

Specifications are subject to change without notice



Explosion - Proof Conduit Box

UL and CSA listed for Class I, Group C & D, and Class II, Groups E, F & G locations. Has grounding screw and all hardware provided. Mounts to motor by 3/4"-14NPT opening at rear of box. For NEMA 56 & 143-5T frame motors only. Box number 175755 has a 1" NPT thread.

Catalog Number	List Price	App. Wgt. (lbs.)
175026.00	103	2
175755.00 (1)	103	2

(1) For motors having a letter P after the date code.

Specifications are subject to change without notice



DC Motors

Gearmotors

Ac / DC Controls

Accessories / Kits

Mods / Factory Options

X-Ref / Index

Tech Information

Terms / Warnings

Other Products

Accessories / Kits

Adjustable Motor Bases - NEMA 48-447T Frames

Heavy gauge steel mounting bases simplify the installation of motors and make the tensioning, maintenance and replacement of belts a simple efficient task. Fabricated from sheet or steel plate, then primed and finished in a gray rust and corrosion resistant oven-baked finish. Gussets and reinforcing channels on larger units and continuous seam welding on all units give these bases strength and durability for a long life. A single (215T frame and smaller) or double (NEMA 254T frame and larger) zinc plated adjusting screw is provided. Motor mounting bolts are included.

Adjustable motor bases are designed to mount to your existing motor's base

NEMA 48 thru 215T

NEMA 254T thru 447T

Frame	Catalog Number	AL	AM	AX	BB	E	F	AO	AR	AU**	BT	AT	XC	D* Bolt	AY Bolt	App. Wgt. (lbs.)
48	175032.00	10	6¼	1½	4¼	2½	1¾	3½	2¾	¾	3	.078	7/8	5/16 x 1	¾ x 4	2
56	175033.00	10¾	6½	1½	4½	27/16	1½	313/16	27/8	¾	3	.078	7/8	5/16 x 1	¾ x 4	3
143T	175034.00	10½	7½	1½	5½	2¾	2	3¾	3¾	¾	3	.119	19/16	5/15 x 1	¾ x 4	5
145T	175035.00	10½	8½	1½	6½	2¾	2½	3¾	3¾	¾	3	.119	19/16	5/15 x 1	¾ x 4	6
182T	175036.00	12¾	9½	1½	6½	3¾	2¼	4½	4¼	½	3	.134	1½	¾ x 1¾	½ x 5	9
184T	175037.00	12¾	10½	1½	7½	3¾	2¾	4½	4¾	½	3	.134	1½	¾ x 1¾	½ x 5	9
213T	175038.00	15	11	1¾	7½	4¼	2¾	5¼	4¾	½	3½	.164	1½	¾ x 1¾	½ x 5	13
215T	175039.00	15	12½	1¾	9	4¼	3½	5¼	5½	½	3½	.164	1½	¾ x 1¾	½ x 5	15
254T	175040.00	17¾	15½	2	10¾	5	4½	6¼	6½	5/8	4	¾	17/16	½ x 1¾	5/8 x 6	17
256T	175041.00	17¾	16½	2	12½	5	5	6¼	7½	5/8	4	¾	17/16	½ x 1¾	5/8 x 6	18
284T	175042.00	19¾	16¾	2	12½	5½	4¾	7	7½	5/8	4½	¾	11¼/16	½ x 2	5/8 x 6	21
286T	175043.00	19¾	18¾	2	14	5½	5½	7	8¼	5/8	4½	¾	11¼/16	½ x 2	5/8 x 6	22
324T	175044.00	22¾	19¼	2½	14	6¼	5¼	8	8½	¾	5¼	¾	2¾/16	5/8 x 2½	¾ x 9	31
326T	175045.00	22¾	20¾	2½	15½	6¼	6	8	9¼	¾	5¼	¾	2¾/16	5/8 x 2½	¾ x 9	32
364T	175046.00	25½	20½	2½	15½	7	5½	9	9½	¾	6	¾	2¼/16	5/8 x 2½	¾ x 9	44
365T	175047.00	25½	21½	2½	16½	7	6½	9	9½	¾	6	¾	2¼/16	5/8 x 2½	¾ x 9	45
404T	175048.00	28¾	22¾	3	16½	8	6½	10	9¾	7/8	7	¾	2½	¾ x 3	¾ x 11	60
405T	175049.00	28¾	23¾	3	18	8	6¾	10	10½	7/8	7	¾	2½	¾ x 3	¾ x 11	61
444T	175088.00	31¼	24¾	3	19¼	9	7¼	11	11	7/8	7½	¾	2½	¾ x 3	¾ x 11	68
445T	175089.00	31¼	26¾	3	21¼	9	8¼	11	12	7/8	7½	¾	2½	¾ x 3	¾ x 11	73
447T	175090.00	31¼	30¾	3	24¾	9	10	11	13¾	7/8	7½	5/16	3	¾ x 3½	¾ x 11	92
449T	175302.00	31¼	35¾	3	29¾	9	12½	11	16¼	7/8	7½	5/16	3	¾ x 3½	¾ x 11	95

* Motor mounting bolt diameter and length, four supplied with each base.

NOTE: These bases are not suitable for vertical mounting. All dimensions in inches.

** Base mounting bolts, four required—not supplied with base.

Specifications are subject to change without notice

Transition Bases

Transition bases compensate for the difference in mounting dimensions and shaft height of a rigid base NEMA T frame to the next higher NEMA U frame. This makes it possible, for example, to replace a 10 HP NEMA 254U frame motor with a 10 HP NEMA 215T frame motor without modifying the basic installation. Made of the same high-quality materials and construction as the adjustable motor bases above. They are for horizontal mountings, shimming may be needed for direct coupled loads. Thread size listed is for mounting transition base to the "T" frame motor. Dimensions listed are for one piece—two are supplied, one for each side of the motor's foot.



Converts T Frame	To U Frame	Catalog Number	List Price	App. Wgt. (lbs.)	Height (Inches)	Width (Inches)	Length (Inches)	Thread
143T/145T	182/184	175091.00	79	2	1	2 1/4	7 1/2	5/16-18
182T/184T	213/215	175092.00	115	3	3/4	1 3/4	9 1/2	3/8-16
213T/215T	254U/256U	175093.00	135	5	1	2 7/16	12 3/4	3/8-16
254T/256T	284U/286U	175094.00	190	8	3/4	2 3/4	14 1/4	1/2-13
284T/286T	324U/326U	175095.00	253	10	1	3 1/4	15 3/4	1/2-13
324T/326T	364U/365U	175097.00	321	13	1	3 11/16	16 1/2	5/8-11
364T/365T	404U/405U	175098.00	429	22	1	4 1/4	18 5/8	5/8-11
404T/405T	444U/445U	175127.00	549	24	1	4 1/4	21 5/8	3/4-10

Specifications are subject to change without notice



Three Phase Motors Only

Model Numbers Beginning With:	Model Efficiency Code(s)	Frame Size	Catalog Number	List Price	App. Wgt. (lbs.)	♥ Notes
SD & SSD	P, B	143T-184T	LM22093	203	2	
		213T-215T	LM22188	203	2	
		254T-256T	LM25632	203	2	
		284T-326T	LM12429	223	2	2
		364T-365T	LM12430	672	2	1
		404T-405T	LM12454	1,085	35	1
		444T-445T	LM12463	1,403	40	1
		447T-449T	LM12479	1,403	40	1
AF & SF (also includes AB, AN & SB)	S, H	143T-145T	LM08476	203	2	
		182T-184T	LM08478	203	2	
		213T-215T	LM08582	293	2	
		254T-256T	LM08664	293	5	
		284T-286T	LM08665	293	2	9
		324T-326T	LM08709	293	2	3
		364T-365T	LM08720	334	2	3
		404T-405T	LM08738	334	2	3
		444T-445T	LM08827	1,006	40	1, 3
		AF, AAF & SSF	S,P,B	143T-145T	LM18872	159
182T-184T	LM18873			203	2	
AF & SF	P, B	213T-215T	LM18874	203	1	
		254T-256T	LM19985	203	2	
		284T-286T	LM18876	293	1	
		324T-326T	LM18866	293	3	
		364T-365T	LM18868	738	35	1
		404T-405T	LM18869	334	3	
		444T-445T	LM18870	445	4	
		447T-449T	LM18871	1,213	40	1
CS, CCF & CCS (excludes those motors with NN in NOTES column)	P, B	143T-184T	LM18864	203	2	
		213T-256T	LM18865	203	2	
		284T-326T	LM18866	293	3	
		364T-405T	LM18867	334	3	
		444T-445T	LM18870	445	4	
		447T-449T	LM18871	1,213	40	1, 2
MD & SE	S	284T-286T	LM12429	223	2	
		324T-365T	LM16572	286	2	
		404T-405T	LM16574	834	40	1
		404T-405T	LM12454	1,085	35	1
		444T-445T	LM16577	1,175	40	1

Specifications are subject to change without notice

Notes: P=Epact, B=Preimum, S=Standard Eff., G=U-Frame Standard

1. Kit includes larger than standard terminal box.
2. Terminal box is heavy gauge steel CS models normally have cast iron box
3. Blower motor on TEBC CTAC models, 284T frames and larger, is not CE compliant

* Multiguard mtrs

Usable on 380 to 575V (for others, contact Lincoln). Price includes terminal strip suitable for six connections and grounding lug. Contact Customer Service regarding nameplate with CE Mark.

Copies of Lincoln's Declaration of Conformity for the Low Voltage Declaration of Conformity for the Low Voltage Directive and Manufacturer's Declaration for the Machinery Directive are available on request



DC Motors

Gearmotors

Ac / DC Controls

Accessories / Kits

Mods / Factory Options

X-Ref / Index

Tech Information

Terms / Warnings

Other Products

Accessories / Kits

Lincoln Motors SGR Shaft Grounding Rings

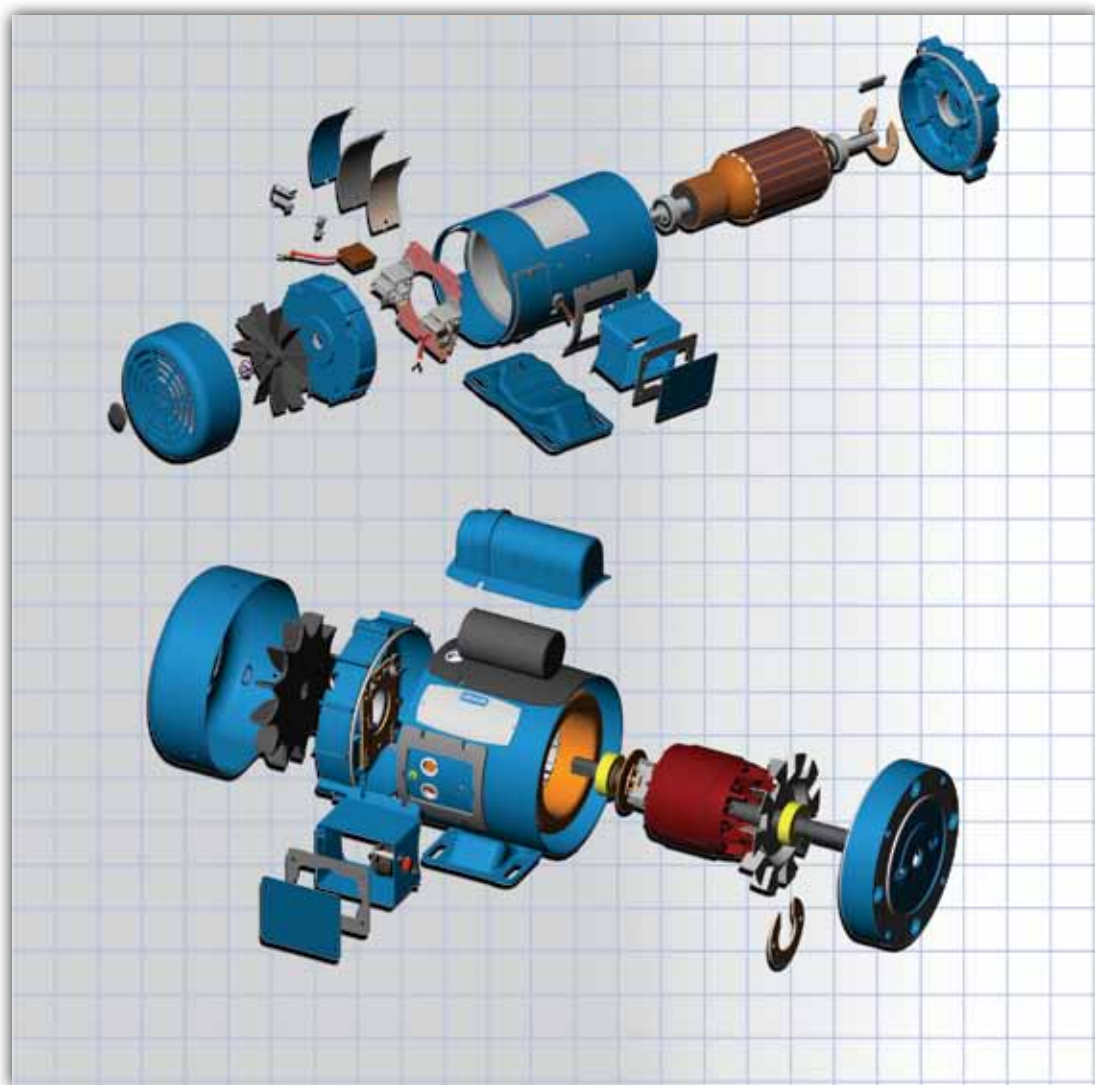
Shaft grounding is recommended (NEMA MG1 31.4.4.3) as an effective means of bearing protection for motors operated from inverter power. One grounding device is adequate to bleed down inverter-sourced shaft voltages, thereby protecting both bearings for motors as large as 6085 frame. Kits includes grounding ring, mounting hardware and instructions. Shaft ground rings fit these Lincoln NEMA shaft extension frames listed below, they are designed to mount on the shaft end.

Shaft Grounding Ring (SGR)

NEMA Frame	Catalog Number	Stock	List Price
48	LM32396	√	173
56	LM32397	√	173
143-145T	LM32398	√	173
182-184T	LM32399	√	202
213-215T	LM32401	√	230
254-256T	LM32402	√	288
284-286T	LM32403	√	515
284-286TS	LM32402	√	288
324-326T	LM32405	√	404
324-326TS	LM32403	√	515
364-365T	LM32407	√	461
364-365TS	LM32403	√	515
404-405	LM32409	√	687
404-405TS	LM32405	√	404
444-445T	LM32411	√	1207
444-445TS	LM32407	√	461
447/449T	LM32411	√	1207
447/449TS	LM32407	√	461



Specifications are subject to change without notice



Contact your local LEESON Sales office for genuine replacement motor parts.



Mod-Squad Stock Motor Modification Program

Your motor, your way...now

The Mod-Squad stands on alert ready to tailor a LEESON or Lincoln stock motor to meet your modified motor needs in a few days or less. From one modified motor up to a few—there is no faster, more versatile source for mechanically or electrically “customerized” motors.

Starting with an off-the-shelf LEESON or Lincoln motor selected from the nearly 6,000 LEESON or Lincoln stock motors, the modifications listed here can be completed in the time frame noted for each item.

Ordering Information

To order please specify the catalog number of the LEESON or Lincoln stock motor to be modified and the Mod-Squad modification catalog number or numbers desired.

An inventory of popular motors is maintained by the Modification Center for fast delivery. However, delivery of the modified motor is governed by availability of the stock motor. If a stock motor is shipped from a District Warehouse to the Modification Center in Indianapolis, IN, the cost of the inbound freight is added to the price of the modified motor and delivery of the modified motor will be extended by the inbound transit time.

Modification list prices are subject to the same discounts as apply to the motor. (Some motors, such as explosion-proof, may not be modified.) Days noted are working days excluding holidays and weekends—larger quantities may require additional leadtime.

MOD-SQUAD Cancellation Policy

Modified motors may not be returned for credit or re-stocking. If a modification order is cancelled before shipment, a cancellation charge of double the modification charge will be invoiced to the customer. Any Mod-Squad order cancelled before modification is completed is subject to cancellation charges of 10% of total charges for that item.

Terms are net 30 days, FOB Indianapolis, IN, with freight prepaid on single shipments of 1,500 pounds or 3,000 dollars or more to the first destination within the continental United States, excluding Alaska.

Index to Motor Modifications

Description	Mod-Squad Number	Page
Balancing - Discontinued - See Note page 379 (Verify Page Number)	L1	379
Bearing Modifications	L2	379
Blower Fan Kits - WATTSAYER®	L30	389
Brakemotor Modifications - LEESON Only	L3	381
CE Marking	L24	387
Condensate Drains - Totally Enclosed Motors	L8	381
Cords, Plugs & Grounding Provisions	L5	381
Drip Cover - Open, Drip-Proof Motors	L9	382
Dynamic Braking Boards - Micro Series - LEESON Only	L28	388
Encoder Kits - WATTSAYER® & SPEEDMASTER®	L29	389
Fungus Proofing and Tropicalization	L19	386
Leads - Reconnect, Remark or Extend	L10	382
Lint-Proof Textile Service Motors - LEESON Only	L17	385
Marine Service Motors - Three Phase, Totally Enclosed	L21	386
Motor Protection	L18	386
Mountings	L12	383
Nameplates	L13	385
Paint	L14	385
Remote Keypad Option - Micro Series - LEESON Only	L25	388
Rodent Screens - LEESON Only	L15	385
Severe Duty - Cast Iron Fan Covers - LEESON Only	L7	381
Shaft Modification	L22	387
Shaft Seals	L11	382
Space Heaters, Anti-Condensation	L16	385
Switches - Power or Electronic Starting	L6	381
Tachometer Mounting Provisions - DC Motors - LEESON Only	L23	387
Terminal Blocks - NEMA Motors	L27	388
Totally Enclosed Air Over Conversion	L22	387
Weatherproofing - Three Phase, Totally Enclosed Motors	L20	386
Larger Size Conduit Box - Lincoln Only	L31	389



L1 Balancing

Two Days*

The LEESON balancing modification has been discontinued due to high costs of re-balancing by an outside firm. Contact your sales office for a quote on special or precision balanced production motors, requiring a minimum order of 10 pieces or contact a LEESON Authorized Service Center for a quote on a Special balance modification.

L2 Bearing Modifications

Two Days

#L2a Changing shielded bearings to sealed bearings on stock motors. 48, 56 and 143T-145T, Agricultural motors as well as all Washguard duty and Wash-Thru motors have sealed bearings as standard. Note! Adding sealed bearings to motors having grease fittings may not make the bearings regreaseable. Grease fittings will be removed and plugged.

NEMA Frame	Catalog Number	List Price
42	L2A42	180
48	L2A48	180
56	L2A56	180
143T-145T	L2A140	185
182T-184T	L2A180	202
213T-215T	L2A210	214
254T-256T	L2A250	377
284T-286T	L2A280	480
324T-326T	L2A320	631
364T-365T	L2A360	1119
404T-405T	L2A400	1159
444T-449T	L2A440	1544

#L2c Change bearing grease on cast iron motors with open-type regreaseable bearings. Endbells and bearings are purged and repacked with low-temperature grease (Beacon #325 or equivalent) with a temperature range of -75°F to +250°F or high-temperature grease (Dow Corning DC44M or equivalent) with a temperature range of -40°F to +400°F. Specify grease to be used. Check with LEESON to verify the motor can operate in the temperature range required! LEESON Only.

NEMA Frame	IEC Frame	Catalog Number	List Price
254T-256T	—	L2C250	346
284T-286T	160	L2C280	386
324T-326T	180	L2C320	540
364T-365T	200	L2C360	578
404T-405T	225	L2C400	925
444T-449T	250	L2C440	1271

#L2b Stock motors with shielded or sealed bearings – Replace standard bearings with ones having low-temperature lubricant (Beacon #325 or equivalent), with a temperature range of -75°F to +250°F. Standard lubricant has a temperature range of -20°F to +300°F and is considered a high temp lubricant for these motors. Explosion proof motors can only be rated to a -13°F temperature.

NEMA Frame	Catalog Number	List Price
42	L2B42	180
48	L2B48	180
56	L2B56	180
143T-145T	L2B140	185
182T-184T*	L2B180	202
213T-215T*	L2B210	214

*Rolled steel, cast iron or aluminum motors

#L2d Install insulated bearings to protect inverter-driven motors from inverter-sourced shaft voltages. May not be installed on Division 1 or Division 2 hazardous locations. Contact factory for lead time on installing insulated bearings.

NEMA Frame	Catalog Number	List Price
143T-145T	L2D140	447
182T-184T	L2D180	536
213T-215T	L2D215	1578
254T-256T	L2D250	1679
284T-286T	L2D280	1679
324T-326T	L2D320	1824
364T-365T	L2D360	1865
404T-405T	L2D400	1886
444T-449T	L2D440	2091



DC Motors

Gearmotors

Ac / DC Controls

Accessories / Kits

Mods / Factory Options

X-Ref / Index

Tech Information

Terms / Warnings

Other Products

Mods / Factory Options

L3 Brakemotor Modifications - LEESON Only

Three Days

"Motors and BrakeKits sold separately"

#L3a Convert brakemotors (TENV only) with standard enclosure brakes to weatherproof brakes by changing the disc brake. Weatherproof brakes have additional sealing and protection. Price includes cost of weatherproof brake.

Catalog Number	List Price
L3A3	791
L3A6	791
L3A10	806
L3A15	831
L3A25	914

#L3b Change the standard brake to one with a different torque rating. Specify torque rating. Standard enclosure brakes only—not weatherproof. Some torque limitations apply, specify torque rating. Catalog Number L3B. List price - \$154

#L3c Change Brake Coil Voltage. Change from standard coil voltage to 115 volts (for Stearns brand brakes only). Catalog Number L3C. List Price \$154

#L3d Install a LEESON BrakeKit. See page 46 for BrakeKits available and motors that can be converted. Specify the catalog number of both the stock motor and the BrakeKit. List Price \$315



BrakeKit Installation

#L3e Remove brake from stock brakemotor for customers supplying their own brake. Specify Catalog Number L3E. List Price \$315

#L3f Assemble double C-face coupler brake on C-face motor. MOD charge is for assembly only. Brake and motor are purchased separately. Specify the catalog number of the stock motor and coupler brake.

Catalog Number L3F56140 - 56C, 143TC, or 145TC motors. List Price \$315

Catalog Number L3F180210 - 182TC, 184TC, 213TC, or 215TC motors. List Price \$464

#L3g Change Brake Coil Voltage. Change from standard coil voltage to 200 volts (for Stearns brand brakes only).

Catalog Number L3G1.5-3 - 1.5 & 3 lb-ft brakes. List Price \$374

Catalog Number L3G6-10 - 6 & 10 lb-ft brakes. List Price \$374

L5 Cords, Plugs and Grounding Provisions

Three Days

#L5a For single phase motors, install grounded line cord of type S.O., three-conductor oil resistant cord, connected in the conduit box or terminal panel, with strain relief. No plug. **Specify cord length, voltage and shaft rotation (clockwise or counterclockwise) viewed from the drive shaft end of the motor.**

Wire Gauge	Max Amp Rating Single Phase	Catalog Number 6 ft. or Less	List Price 6 ft. or Less	Catalog Number Each Add'l. Foot	List Price Each Add'l Foot to 10 ft. Max.
16	13	L5A16	154	L5A16ADD	2
14	18	L5A14	162	L5A14ADD	2
12	25	L5A12	170	L5A12ADD	3

#L5b Install 6-foot grounded type S.O. cord with plug, 115VAC single phase only. **Specify cord length, shaft rotation (clockwise or counterclockwise) viewed from the drive shaft end of the motor.**

HP	Catalog Number 6 ft. or Less	List Price 6 ft. or Less	Catalog Number Each Add'l. Foot	List Price Each Add'l Foot to 10 ft. Max.
1 and smaller	L5B	149	L5BADD	2

#L5c Add an additional grounding screw to the endbell of drip-proof or totally enclosed non-ventilated NEMA 48 or 56 frame motors. Meets UL 1081 swimming pool motor grounding provisions (includes slinger). Catalog Number L5C. List Price \$131



Grounded Cord w/Plug



L6 Switches – Power or Electronic Starting

Three Days

#L6a On-off switch for 2 HP and smaller single phase motors only. Install double-pole, single-throw switch in the conduit box, with switch guard and a 6-foot type S.O. cord with grounded plug, **115 VAC or 230 VAC—please specify. Also specify shaft rotation (clockwise or counterclockwise) viewed from the drive shaft end of the motor.**



On-Off Switch w/Guard

Rating	Catalog Number	List Price
16-20A/115V or 230V	L6A	319

#L6b Replace mechanical centrifugal switch on single phase motors 2HP and smaller with solid-state, encapsulated, electronic starting switch. Capacitor-start, induction-run motors only. **Subject to engineering approval.** Catalog Number L6B. List Price \$334

L7 Severe Duty - Cast Iron Fan Covers - LEESON Only

Three Days

#L7a Remove steel fan guard and install a cast iron fan guard on LEESON 150, G150 and 170 series NEMA and 193 series IEC TEFC cast iron motors to meet severe duty, mill and chemical duty specifications. Note: These motors have cast iron endbells, frame, and conduit box as standard. **Lincoln Motors has a line of Severe Duty motors that include a cast iron fan guard.** See page 91.

NEMA Frame	IEC Frame	Catalog Number	List Price
182T-184T	—	L7A180	335
213T-215T	—	L7A210	376
254T-256T	—	L7A250	460
284T-286T	160	L7A280	717
324T-326T	180	L7A320	743
364T-365T	200	L7A360	1048
404T-405T	225	L7A400	1135
444T-445T	250	L7A445	1143
447T-449T	280	L7A449	1165



Cast Iron Fan Cover

L8 Condensate Drains - Totally Enclosed Motors

Two Days

#L8a 215T and smaller steel frame motors. Drill one or two condensation drain holes on the periphery or in the face of each endbell of steel frame 215T frame and smaller totally enclosed motors. **Specify location in both the shaft end and opposite endbell using a drawing or clockface analogy.** When specified, a drain can be added to the face of one endbell for shaft up or down mounting.



Condensate Drain

NEMA Frame	Catalog Number	List Price
215T and smaller	L8A40210	235
254T-365T	L8A250360	326
404T-449T	L8A400440	391

#L8b 182T and larger cast iron frame motors. Provides an additional one-way, cross-drilled stainless steel condensation drain on the periphery or in the face of each endbell. Provide a drawing or clockface analogy for position in each endbell.

NEMA Frame	Catalog Number	List Price
215T and smaller	L8B40210	235
254T-365T	L8B250360	326
404T-449T	L8B400440	391



- DC Motors
- Geomotors
- Ac / DC Controls
- Accessories / Kits
- Mods / Factory Options
- X-Ref / Index
- Tech Information
- Terms / Warnings
- Other Products

Mods / Factory Options

L9 Drip Cover – Open, Drip-Proof Motors

Two Days

#L9a Install a drip cover on steel frame motors. Price includes drip cover. **LEESON Only**

NEMA Frame	Catalog Number	List Price
48-145T	L9A40140	154
182T-184T	L9A180	167
213T-215T	L9A210	185



Drip Cover

#L9b Install a drip cover on cast iron motors. Price includes drip cover. **LEESON Only**

NEMA Frame	Catalog Number	List Price
182T-184T	L9B180	167
213T-215T	L9B210	185
254T-256T	L9B250	222

#L9c Install a drip cover on SPD, SRD and SSD Model Numbers. Not suitable for use on motors having NN in Notes column. **Lincoln Only**

NEMA Frame	Catalog Number	List Price
48-56*	L9C4856	154
56-145T	L9C56145	154
182T-184T	L9C182184	167
213T-215T	L9C213215	185

* Motors having a 2.18 inch bolt circle for the mounting holes

L10 Leads – Reconnect, Remark or Extend

Two Days

#L10a Re-Connect leads in the conduit box to a single voltage and/or for wye or delta connection. Most motors 444T frame and above are single voltage. Specify voltage and connection.

NEMA Frame	Catalog Number	List Price
48-145T	L10A40140	170
182T-184T	L10A180	269
213T-215T	L10A210	358
254T-256T	L10A250	402
284T-286T	L10A280	531
324T-326T	L10A320	600
364T-365T	L10A360	600
404T-405T	L10A400	673
444T-449T	L10A440	750

#L10c Extend leads up to 42 inches longer than standard by splicing. **Specify additional length required.**

NEMA Frame	Catalog Number	List Price
48-145T	L10C40140	170
182T-184T	L10C180	269
213T-215T	L10C210	358
254T-256T	L10C250	402
284T-286T	L10C280	531
324T-326T	L10C320	600
364T-365T	L10C360	600
404T-405T	L10C400	673
444T-449T	L10C440	673

#L10b Remark leads using metal markers. Any size motor. **Specify markings, letters or numbers. Specify Catalog Number L10B.** List Price \$180

#L10d Add crimp-type terminal lugs – steel frame motors. Lugs standard on LEESON cast iron motors. **Specify Catalog Number L10D.** List Price \$140

L11 Shaft Seals

Three Days

#L11a Install an oil seal on the shaft end of 215T and smaller steel frame LEESON motors. May be installed on single, three phase or direct current motors, but not explosion-proof motors.

Catalog Number	List Price
L11A	448

L12 Mountings

#L12a Add a stamped steel rigid base to steel frame motors. For 182-4T frame motors, minimum 8.50" (TEFC, rigid, C face) or 8" (ODP, rigid, C face) frame length is required. **LEESON Only**

NEMA Frame	Catalog Number	List Price
42-48	L12A4248	180
56	L12A56	183
143T-145T	L12A140	183
182T-184T	L12A180	221
213T-215T	L12A210	269

Note: It is not possible to add a base to some three phase motors as the resulting rigid base motor will be subject to EISA mandated efficiency values. Contact the factory.
This Mod. cannot be done on an explosion proof motor for an F2 conduit box location.

#L12b Remove stamped steel rigid base from steel frame motors.

NEMA Frame	Catalog Number	List Price
42-56	L12B4256	277
143T-145T	L12B140	277

#L12c Install a NEMA C face on steel frame motors 215T and smaller. **Specify if the rigid base is to be removed. If so, add for modification #L12b listed above.** List Price includes C face Kit. **LEESON Only**

NEMA Frame	Catalog Number	List Price
42-56*	L12C4256	234
143T-145T	L12C140	234
182T-184T	L12C180	253
182T-184T**	L12C180U	253
213T-215T	L12C210	313

*Adding a 48 C-Face results in a non-NEMA BA dimension.
** Convert a 182T-184T frame motor to have a C-face dimensions of a 143T-145T or 182U-184U frame motor (AJ = 5 7/8", AK = 4 1/2"). The shaft dimensions and base location will not change.

#L12d Install a NEMA C face to 150 or 170 series cast iron motors. **The rigid base cannot be removed from these cast iron frame motors (non-800 Series).** List Price includes C face Kit. **LEESON Only**

NEMA Frame	Catalog Number	List Price
182T-184T	L12D180	420
213T-215T	L12D210	458
254T-256T	L12D250	580
284T-286T	L12D280	701
324T-326T	L12D320	910
364T-365T	L12D360	988
404T-405T	L12D400	1080
444T-445T	L12D440	1327
447T-449T	L12D4479	1403

#L12e Install a NEMA D flange to open or totally enclosed motors of steel frame construction in 182-4T frame and cast iron 150 and 170 series motors in 213T frames through 445T frame. Steel rigid base can be removed from steel frame 182-4T frame motors. **Specify and add for modification L12b.** **Rigid base cannot be removed from cast iron frame motors. List Price includes C face Kit.** **LEESON Only**

NEMA Frame	Catalog Number	List Price
182T-184T	L12E180	420
213T-215T	L12E210	458
254T-256T	L12E250	580
284T-286T	L12E280	701
324T-326T	L12E320	910
364T-365T	L12E360	988
404T-405T	L12E400	1324
444T-445T	L12E440	1724

#L12f Convert standard F1 motors to F2, sidewall or ceiling mounting. Consists of repositioning the endbell vents and condensation drains where applicable and the conduit box lead hole. Note: If brakemotor, brake knob will be located at 6 o'clock. Note: Only the 56/140 frame motors can have the motor bases removed where needed. **LEESON only** - contact Sales office for Lincoln motors. List Price includes C face Kit.

NEMA Frame	Catalog Number	List Price
56-184T	L12F56180	358
213T-215T	L12F210	388
254T-326T	L12F250320	464
364T-449T	L12F360449	600

* Three phase only; single phase motors cannot be converted. Please contact factory for Explosion proof motor approval for this modification. Washdown motors cannot be converted to F2.

#L12g Rotate standard conduit box position by 90° increments. **Specify by clock face, i.e. 9 o'clock, 12 o'clock, etc. for position (viewed from shaft end).** Consists of repositioning the endbell vents and condensation drains where applicable and the conduit box lead hole. Note: If brakemotor, brake knob will be rotated 90° from conduit box. **This mod. can no longer be offered on the 180 and 210 frame motors for the bases of these motors can no longer be removed without damaging the motor.**

NEMA Frame	Catalog Number	List Price
56-145T	L12G56140	358

* Three phase rolled steel only; single phase motors cannot be converted.

DC Motors

Gearmotors

Ac / DC Controls

Accessories / Kits

Mods / Factory Options

X-Ref / Index

Tech Information

Terms / Warnings

Other Products



L12 Mountings

Two Days

#L12h Install a metric (IEC) B5 flange to 190 series cast aluminum or cast iron AC motors and DC steel frame motors. List Price includes C face Kit.

LEESON Only

IEC Frame	Catalog Number	List Price
63	L12H63	228
71	L12H71	235
71 (DC)	L12HD71	235
80	L12H80	244
80 (DC)	L12HD80	244
90	L12H90	248
90 (DC)	L12HD90	248
100	L12H100	272
112	L12H112	282
100/112 (DC)	L12HD100112	282
132	L12H132	319
160	L12H160	458
180	L12H180	521
200	L12H200	647
225	L12H225	826

#L12j Install a metric (IEC) B14 face to 190 series cast aluminum or cast iron AC motors and DC steel frame motors. List Price includes C face Kit.

LEESON Only

*Note: C-face kit (B14) not available in NEMA frame 180.

IEC Frame	Catalog Number	List Price
63	L12J63	220
71	L12J71	228
71 (DC)	L12JD71	228
80	L12J80	234
80 (DC)	L12JD80	234
90	L12J90	243
90 (DC)	L12JD90	243
100	L12J100	265
112	L12J112	272
100/112 (DC)	L12JD100112	272
132	L12J132	312
160	L12J160	448

#L12k Reposition feet and nameplate (to relocate conduit box) on AC aluminum-frame IEC motors (63 thru 90L frame). LEESON Only

IEC Frame	Catalog Number	List Price
63	L12K63	160
71	L12K71	169
80	L12K80	180
90	L12K90	226

#L12l Install C-Face. For motors having AF/AAF in the model number. List Price includes C face Kit.

Lincoln Only

NEMA Frame	Catalog Number	List Price
182T-184T	L12L182184	253
213T-215T	L12L213215	313
254T-256T	L12L254256	353
284T-286T	L12L284286	397

#L12m Install C-Face. For motors having SRF in the model number. List Price includes C face Kit.

Lincoln Only

NEMA Frame	Catalog Number	List Price
56 (203 brg)	L12M56203	234
56 (205 brg)	L12M56205	234

#L12n Install C-Face. For motors having SSF in the model number. List Price includes C face Kit.

Lincoln Only

NEMA Frame	Catalog Number	List Price
143-145T	L12N143145	234
182-184T	L12N182184	253
213-215T	L12N213215	313

#L12o Install C-Face. For motors having SF in the model number, having a cast iron endbell. List Price includes C face Kit. Lincoln Only

NEMA Frame	Catalog Number	List Price
324T/TS-326T/TS	L12O324326	910
364T/TX-365T/TS	L12O364365	988
404T/TS-405T/TS	L12O404405	1080
444T/TS-445T/TS	L12O444445	1327
447T/TS-449T/TS	L12O447449	1403

#L12p Install C-Face. For motors having CCN in the model number. List Price includes C face Kit. Lincoln Only

NEMA Frame	Catalog Number	List Price
143-145T	L12P143145	234

#L12q Install C-Face. For motors having CCF in the model number. List Price includes C face Kit. Lincoln Only

NEMA Frame	Catalog Number	List Price
143T-145T	L12Q143145	234
182T-184T	L12Q182184	420
213T-215T	L12Q213215	458
254T-256T	L12Q254256	580
284T-286T	L12Q284286	701
342T-326T	L12Q324326	910

#L12r Install C-Face. For motors having CCS in the model number. List Price includes C face Kit. Lincoln Only

NEMA Frame	Catalog Number	List Price
143T-145T	L12R143145	234
182T-184T	L12R182184	420
213T-215T	L12R213215	458
254T-256T	L12R254256	580
284T/TS-286T/TS	L12R284286	701
342T/TS-326T/TS	L12R324326	910
364T/TS-365T/TS	L12R364365	988
404T/TS-405T/TS	L12R404405	1080
444T/TS-445T/TS	L12R444445	1327

DC Motors

Geomotors

Ac / DC Controls

Accessories / Kits

Mods / Factory Options

X-Ref / Index

Tech Information

Terms / Warnings

Other Products

L13 Nameplates

Three Days

- #L13a Provide an extra motor nameplate-unmounted. (Nameplate only) Add customer part number or change to other voltage or frequency service. **Unmounted nameplates are not available for explosion-proof motors.**
Note: Markings for UL and CSA cannot be included on unmounted nameplates that are shipped loose and not installed on a motor.① Add \$1 (net) for each additional Aluminum or Mylar nameplate.② Add \$2 (net) for each additional stainless steel nameplate.③ Catalog Number L13A. List Price per motor \$129
 60Hz single phase motors cannot be re-rated to 50Hz **Must Provide Date Code Information (bold RED)**
- #L13b Replace, existing nameplate on provided motor. Add customer part number or change to other voltage or frequency service and mount to motor.① List Price per motor \$154
Note: Not available for motors that are all stainless steel construction.
- #L13c Replace standard aluminum nameplate with stainless steel nameplate. LEESON cast iron, WASHGUARD and severe duty motors have stainless steel nameplates as standard.① Add \$2 (net) for each additional stainless steel nameplate.② List Price per motor \$154
 ① Must specify catalog number and date code of motor’s existing nameplate. Nameplates changed to a single voltage connection does not mean motors would be re-connected to this connection unless the L10 Mod is also requested. ② Additional nameplates must be identical.

L14 Paint

Two Days*

- #L14a Repaint motor to another LEESON or Lincoln stock paint color. A sample of choices include LEESON blue, white epoxy, farm duty red, light gray epoxy, black, or black epoxy. Powder coat paint is not available as a modification For Lincoln motors, your choices include: Lincoln gray, severe duty blue, black or gloss white. Not available on Lincoln Wash-thru motors. **Specify color.**
 *Note: Epoxy paint requires extra curing time. Please allow one additional day.

	Frame	Catalog Number	List Price
NEMA	42-215T	L14A40210	154
NEMA	254T-365T	L14A250360	312
NEMA	404T-449T	L14A400440	500
IEC	63-90	L14A6390	154
IEC	100-225	L14A100225	313

L15 Rodent Screens - LEESON Only

Two Days

- #L15a Add rodent screens to open drip-proof motors, cast iron and steel frame, 326T and smaller.

NEMA Frame	Catalog Number	List Price
182T-S213T	L15A40210	245
254T-286T	L15A250280	560
324T-326T	L15A320	752

L16 Space Heaters, Anti-Condensation

Five Days

- #L16a Add anti-condensation space heaters to totally enclosed or open motors. Standard space heater voltage is 115 VAC. **Heaters for 230 or 460 VAC are available. Specify circuit voltage.** May be installed in single, three phase or direct current motors. Explosion proof motors are not included. Washdown duty motors are **not** included.

NEMA Frame	Catalog Number	List Price
145T and smaller	L16A40140	341
182T-215T	L16A180210	431
254T-365T	L16A250360	644
404T-449T	L16A400440	845

L17 Lint-Proof Textile Service Motors - LEESON Only

Two Days

- #L17a Convert a standard totally enclosed-fan cooled motor to textile service by modifying the fan cover to reduce “snagging” of lint and reduction in cooling air for the motor. Price includes kit cost.



Lint-Proof Kit

NEMA Frame	Catalog Number	List Price
56-145T	L17A40140	312
182T-184T	L17A180	408



Mods / Factory Options

L18 Motor Protection

Two Days

#L18a Thermostats on the winding. Install one or more thermostats in the windings of NEMA frame AC motors on the brush plate of DC motors or on the inside of frame on Sub-FHP DC motors. These are pilot or signal devices only, to be used in series with a motor controller or starter to remove power from the motor. Red color leads are brought into the conduit box. **Specify normally open or closed contacts.** Normally closed thermostats connected in series. **Thermostats cannot be installed in explosion-proof motors.**

Type	NEMA Frame	Catalog Number	No. of Devices	List Price
Single Phase	All	L18AS40210	1	195
Three Phase	42-215T	L18AT40210	2	221
Three Phase	254T-365T	L18AT250360	2	600
Three Phase	404T-449T	L18AT400440	2	750
Direct Current	42-56	L18AD4056	1	221

#L18b For a motor equipped with a thermal overload, exchange a manual or automatic reset thermal overload to the opposite style. Delivery is dependent upon availability of the thermal overload. **LEESON Only**
Not for Explosion Proof motors

NEMA Frame	Catalog Number	List Price
48-56	L18B4056	245
143T-145T	L18B140	250
182T-184T	L18B180	286
213T-215T	L18B210	401

Note: Automatic thermal overloads return power to the motor automatically after cooling-off. Automatic thermal overloads should not be used in installations where a sudden restart could cause injury.

#L18c Thermistors on the winding. As standard, three (3) thermistors are furnished, one per phase. As the critical temperature of the motor's winding is reached, the resistance of the thermistor changes radically, causing operation of a control relay. Not available on washdown duty motors, explosion proof motors or medium voltage motors.

Type	NEMA Frame	Catalog Number	No. of Devices	List Price
Three Phase	42-215T	L18CT40210	3	249
Three Phase	254T-365T	L18CT250360	3	375
Three Phase	404T-449T	L18CT400440	3	778

Note: Thermostat and Thermistor Descriptions:
Thermostats are made of two or three different metal strips that each expand at different rates when heated. They are sandwiched together to make a laminated strip, with a set of electrical contacts at one end securely mounted to a platform. When the strip is heated it warps and the contacts open as a threshold temperature is exceeded. Thermostats are reliable, noise immune and easily configured into control schemes. Typically, inverter-duty motors have thermostats as standard equipment.

Thermistors are conductive ceramic materials, whose resistance remains relatively constant over a broad temperature range, then changes abruptly at a design threshold point, creating essentially a solid-state thermal switch. Attached control modules register this abrupt resistance change and produce an amplified output signal, usually a contact closure or fault trip annunciation. Thermistors are more accurate and faster responding than thermostats.

L19 Fungus Proofing and Tropicalization

Two Days

#L19a Special treatment of the motors windings and mechanical parts to resist tropical environments. Not available on brakemotors, washguard duty motors and explosion proof motors.
** AC or DC Motors

NEMA Frame	Catalog Number	List Price
42-215T**	L19A40210	258
254T-365T	L19A250360	375
404T-449T	L19A400440	598

L20 Weatherproofing – Three Phase, Totally Enclosed Motors*

Five Days

#L20a Treatment of mechanical and electrical components of LEESON steel frame totally enclosed motors to resist weather in application outside or in high-moisture conditions. NOTE: LEESON 150 and 170 series cast iron motors are weatherproofed as standard. LEESON WASHGUARD motors are also well-suited for outside and high-moisture applications. Not available on brakemotors or explosion proof motors. ** AC or DC Motors

NEMA Frame	Catalog Number	List Price
42-215T**	L20A40210	252

* For single phase weatherproofed motors, see Washguard motors on pages 28 and 35. Verify page numbers

L21 Marine Service (IEEE 45) Motors – Three Phase, Totally Enclosed - LEESON Only

Five Days

#L21a Treatment of mechanical and electrical components for application below deck aboard ships. Meets IEEE 45 marine specifications. Includes die cast conduit box with tapped lead hole and nameplate stamped 50°C ambient and marked IEEE 45. Standard LEESON blue epoxy paint will be applied unless otherwise specified. Not available on brakemotors and subject to engineering approval. Not available in 42 and 48 frame sizes for no kit is available to change conduit box to have a tapped hole. ** AC or DC Motors

NEMA Frame	Catalog Number	List Price
56-215T**	L21A40210	258
254T-365T	L21A250360	434
404T-405T	L21A400	644
444T-449T	L21A440	814



DC Motors
 Gearmotors
 AC / DC Controls
 Accessories / Kits
 Mods / Factory Options
 X-Ref / Index
 Tech. Information
 Terms / Warnings
 Other Products

L22 Shaft Modifications

Five Days

#L22a Drill and tap one hole in either end of motors shaft or mill a flat on the drive end shaft extension. **Provide details of hole, thread size or flat with the order.** List price is per modification. For example, a motor modified by adding a tapped hole and flat would be priced by adding the list price twice.
3 inches maximum depth hole. Does not include keyway modification.

NEMA Frame	Catalog Number	List Price
42-145T	L22A40140	233
182T-184T	L22A180	245
213T-215T	L22A210	383
250T-280T	L22A250280	429

#L22b TEFC to air-over service. Convert a motor from totally enclosed, fan cooled construction to totally enclosed, air-over service by removing fan cover and fan and cutting off the fan end shaft. The modified motor must be mounted in the air stream of the driven fan for cooling purposes.

NEMA Frame	Catalog Number	List Price
42-145T	L22B40140	233
182T-184T	L22B180	245
213T-215T	L22B210	341

L23 Tachometer Mounting Provisions – DC Motors - LEESON Only

Five Days

#L23a Add a tachometer mounting kit to NEMA frame size Direct Current motors. See page 282 for availability of tachometer mounting kits. Does not include tachometer.

NEMA Frame	Catalog Number	List Price
S56	L23AS56	448
SS56	L23ASS56	557
56/145T	L23A56140	577



Tach Kit Adaptor

L24 CE Marking*

Five Days

#L24 Modify provided motor to comply with the nameplate designation, lead markings and connection diagrams required by the IEC34 motor specification. Modification includes a nameplate with the CE logo or a separate CE decal and a CE Declaration of Conformity document. Not available on DC motors below 75 V.D.C. **LEESON Only**

Catalog Number	List Price
L24	215



#L24b CE Marking Kit - Includes new nameplate only with data in IEC34 format, lead markers for IEC lead designations, a connection diagram, and a CE Declaration of Conformity document. The nameplate will have the CE logo, or a CE decal will be provided. **LEESON Only**
UL will not be stamped on nameplate - Must provide motors date code.

Catalog Number	List Price
L24B	129

* Explosion proof motors cannot be built or modified to meet CE.

Mods / Factory Options

L25 Micro Series Inverter - Remote Keypad Option - LEESON Only

Two Days

#L25 A remote keypad for Micro Series inverters is available only as a factory installed option. The keypad is mounted in a gasketed steel faceplate that must be mounted in an enclosure for protection. An inverter modified for remote operation can only be operated from the remote keypad. Price includes remote keypad, faceplate, cable and factory modification charges. Not available on Washguard Duty Inverters. See page 208 (Verify) for Remote Keypad kits for the Sub-Micro Series Inverters.



Description	Catalog Number	List Price
Keypad with 2.5 foot cable	L25A25	524
Keypad with 5 foot cable	L25A50	572
Keypad with 10 foot cable	L25A100	669

L27 Terminal Blocks – NEMA Motors - LEESON Only

Five Days

#L27a Add a terminal block in the conduit box of rolled steel motor from 56 to 215T-frame. Install ring terminals on the motor leads.

- Conduit box on 56-frame motors will be changed to a longer version to accommodate the terminal board
- Use with single-phase or three-phase motors with no protector
- Specify connection voltage and direction of rotation for single-phase
- Not intended for 56, 143T & 145T-frame TENV or ODP motors that have a built-in conduit box. Contact LEESON for the suitability of adding a terminal board to one of these motors
- Cannot be added to WASHGUARD Duty motors

NEMA Frame	Catalog Number	List Price
56/143T/145T	L27A56140	252
182T/184T/S213T	L27A180	282
213T-215T	L27A210	310

#L27b Install a terminal block kit in the conduit box of a cast iron NEMA frame motor. Price includes kit. (IEC motors have a terminal block installed as standard.)

NEMA Frame	Catalog Number	List Price
180/210T	L27B180210	310
250/280T	L27B250280	367
320/360T	L27B320360	420
400/440T	L27B400440	553

L28 Dynamic Braking Board – Micro Series Drives - LEESON Only

Two Days

#L28 Install Dynamic Braking board in Micro Series drive. Note: Does not include Dynamic Braking resistor, which is ordered as a separate line item. See Micro Series accessory section of catalog for resistor selection. See page 363 for Dynamic Brake kits for the Sub-Micro Series inverters.

HP Rating	Voltage	Catalog Number	List Price
1/2 - 3HP	All	L28A174184	1012
5HP	200-230V	L28A174185	1060
5HP	460-480V	L28A174185	1060
5HP	550-575V	L28A174184	1012
7 1/2HP	200-230V	L28A174192	997
7 1/2HP	460-480V	L28A174193	997
7 1/2HP	550-575V	L28A174193	997
10-60HP	All	L28A174192	997

L29 Encoder Kits – WATTSAYER® & SPEEDMASTER® Motors

Two Days

#L29a Assemble a stock Encoder Kit on a WATTSAYER® motor. Price is for assembly only. Motor and kit are purchased separately. **Specify motor and kit numbers. Note:** The assembly of an encoder kit on a WATTSAYER® motor requires the removal of the external fan. The use of a Blower Fan Kit is strongly encouraged for proper cooling!

NEMA Frame	Catalog Number	List Price
56-215T	L29A56215	270
254T-324T	L29A250320	438
360T-405T	L29A360400	494

#L29b Assemble a stock Encoder Kit on a SPEEDMASTER® motor. Includes assembly of conduit box kit ECB175926 on 215T-449T frame motors. Price is for assembly only. Motor and kits are purchased separately. **Specify motor and kit numbers.** LEESON Only

NEMA Frame	Catalog Number	List Price
143T-215T	L29B140210	192
254T-365T	L29B250360	408
404T-449T	L29B400440	624

#L29c Available on Inverter Duty CTAC Motors that have Model Number ending with Q10. Price is for assembly only. Encoder kit, Mounting kit and Motor sold separately. Lincoln Only

NEMA Frame	Catalog Number	List Price
56-215T	L29C56210	192
254T-365T	L29C250360	408
404T-445T	L29C400440	624

L30 Blower Fan Kits – WATTSAYER® Motors

Two Days

#L30b Install a blower fan kit on a WATTSAYER® motor. Price is for assembly only. Motor and kit are purchased separately. **Specify motor and kit numbers.** LEESON Only

NEMA Frame	Catalog Number	List Price
56-215T	L30B56210	192
254T-326T	L30B250320	332
360T-440T	L30B360440	491

L31 Conduit Box Kits – Larger Size - Lincoln Only

#L31a Install larger size conduit box. AF, MD, SD and SF Model Numbers, S and H Efficiency Codes

NEMA Frame	Catalog Number	List Price
213T-215T	L31A213215	165
254T-256T	L31A254256	185
284T-286T	L31A284286	200
324T-326T	L31A324326	228
364T-365T	L31A364365	266
404T-405T	L31A404405	348

#L31b Install larger size conduit box. AF, AAF, CF, CS, CP, SD and SF Model Numbers, P and B Efficiency Codes

NEMA Frame	Catalog Number	List Price
143T-184T	L31B143184	151
213T-215T	L31B213215	165
254T-256T	L31B254256	185
284T-286T	L31B284286	200
324T-326T	L31B324326	228
364T-365T	L31B364365	266
404T-405T	L31B404405	348
444T-445T	L31B444449	501



DC Motors

Gearmotors

Ac / DC Controls

Accessories / Kits

Mods / Factory Options

X-Ref / Index

Tech Information

Terms / Warnings

Other Products

CUSTOMIZED AND MODIFIED PRODUCTS

CUSTOM MOTORS, GEARBOXES & GEARMOTORS

LEESON is a leading designer and manufacturer of application-specific AC and DC motors and gearmotors in sub-fractional, fractional and integral horsepower sizes. We offer a database of over 30,000 custom designs, experienced application and design engineering teams, to ensure the best, most cost-effective custom motor solution.

CUSTOM MULTI-SPEED & LOW-SPEED MOTORS

LEESON's PDQ Modular Production Program utilizes specially designed and standard components to make almost any imaginable NEMA frame multi-speed or low-speed motor available when you need it. We pride ourselves on fast turnaround times on highly customized motors.

Custom motors include two, three and four-speed motors and speed ranges of 900, 720, 600, 450 and 300 RPMs. We also specialize in non-standard shaft designs.

For quotations, availability and application assistance, phone toll-free to our Canadian manufacturing facility at 1-800-463-1797.



Listed below is a listing of a few of our Factory “Build-up” options. Please contact our local Sales office for more information.

ADDITIONAL LEAD LENGTH	GROUND PROVISIONS
HIGH ALTITUDE	HARDWARE
AMBIENT	HIGH INERTIA LOAD
CONDUIT BOXES	INSULATION
BALANCE	LEADS
BEARINGS	LUBRICATION
ROLLER BEARINGS	MARINE DUTY
INSULATED BEARINGS	NAMEPLATES
BLOWER TYPES	PAINT
BRAKES	SCREENS
CONNECTIONS / CORDS	SEALS & SLINGERS
WYE DELTA	SEVERE DUTY
PART WIND START	SERVICE FACTOR
DOCUMENTATION - SUBMITTAL DATA	SHAFTS
DOWELING	SPACE HEATERS
DRAINS	TACHOMETERS - SEE ENCODERS
ENCODERS	TACONITE DUTY - SEE INPRO SEALS
END TURN BRACING	TERMINAL BLOCKS / STRIPS
END BRACKETS - FACES & FLANGES	TESTS
FREQUENCY - Other than 60HZ	THERMAL PROTECTION
GREASE FITTINGS	VERTICAL MODIFICATION
GREASE: LOW TEMP	VIBRATION DETECTOR
GREASE: HIGH TEMP	VOLTAGE - SPECIAL

DC Motors

Gearmotors

Ac / DC Controls

Accessories / Kits

Mods / Factory Options

X-Ref / Index

Tech Information

Terms / Warnings

Other Products

Cross Reference Exception Codes

DC Motors
Gearmotors
AC / DC Controls
Accessories / Kits
Mods / Factory Options
X-Ref / Index
Tech. Information
Terms / Warnings
Other Products

LEESON Product Base Exceptions

- B01 Install base kit 175032 (Extra cost)
- B02 Install base kit 175033 (Extra cost)
- B03 Install base kit 175034 (Extra cost)
- B04 Install base kit 175035 (Extra cost)
- B05 Install base kit 175036 (Extra cost)
- B06 Install base kit 175037 (Extra cost)
- B07 Install base kit 175038 (Extra cost)
- B08 Install base kit 175039 (Extra cost)
- B09 Install base kit 175040 (Extra cost)
- B10 Install base kit 175041 (Extra cost)
- B11 Install base kit 175042 (Extra cost)
- B12 Install base kit 175043 (Extra cost)
- B13 Install base kit 175044 (Extra cost)
- B14 Install base kit 175045 (Extra cost)
- B15 Install base kit 175046 (Extra cost)
- B16 Install base kit 175047 (Extra cost)
- B17 Install base kit 175048 (Extra cost)
- B18 Install base kit 175049 (Extra cost)
- B19 Install base kit 175088 (Extra cost)
- B20 Install base kit 175089 (Extra cost)
- B21 Install base kit 175090 (Extra cost)
- B22 Install base kit 175091 (Extra cost)
- B23 Install base kit 175092 (Extra cost)
- B24 Install base kit 175093 (Extra cost)
- B25 Install base kit 175094 (Extra cost)
- B26 Install base kit 175095 (Extra cost)
- B27 Install base kit 175097 (Extra cost)
- B28 Install base kit 175098 (Extra cost)
- B29 Install base kit 175127 (Extra cost)
- B30 LEESON motor has a 56 frame base
- B31 LEESON motor has rigid base
- B32 LEESON motor has resilient base
- B33 LEESON motor has no base
- B34 LEESON's motor base is not removable
- B35 LEESON motor has base with mounting holes for 56 & 143-5T
- B36 LEESON base mounting holes not 'Drop-in' replacement
- B37 Install base kit M1760006 (Extra cost)
- B38 LEESON motor has 184JM base and shaft

LEESON Product Construction Exceptions

- C01 LEESON motor has steel frame
- C02 LEESON motor has cast iron frame
- C03 LEESON motor has mechanical switch
- C04 Reassemble LEESON motor to F2 mounting
- C05 LEESON motor has base with mounting holes for 56, 143-5T and 5/8" Nema 56 shaft
- C06 LEESON motor is not BISSC certified
- C07 LEESON motor is capacitor start/capacitor run design
- C08 LEESON motor is normal efficiency
- C09 LEESON motor has double shielded ball bearings
- C10 LEESON motor is capacitor start/induction run design
- C11 LEESON motor has 1.0 service factor
- C12 LEESON motor is ball bearing design
- C13 LEESON motor is 208-230 volts
- C14 LEESON motor has steel fan-guard
- C15 LEESON motor is premium efficiency design
- C16 LEESON motor has ball bearing instead of roller bearing drive end
- C17 LEESON motor does not have extended thru-bolts
- C18 LEESON motor has 145TC face with 182T base
- C19 LEESON motor requires C face adapter
- C20 LEESON motor is 1650 RPM
- C21 LEESON motor has no cord or plug
- C22 LEESON motor is IP54
- C23 LEESON motor is 1625 RPM
- C24 LEESON motor is 1075 RPM
- C25 LEESON motor is class B insulated
- C26 LEESON motor is Class I Group D, Class II Groups F & G
- C27 LEESON motor is 60/50HZ
- C28 LEESON motor has external capacitor
- C29 LEESON motor is PSC design

- C30 LEESON does not have tapped-hole (as standard) for pulse generator
- C31 LEESON gearbox mounting face includes 3-point mounting
- C32 LEESON motor is dual voltage rated - 115/230
- C33 LEESON armature voltage is 90V DC
- C34 LEESON motor is 230V only
- C35 LEESON motor is non-reversible
- C36 LEESON motor is reversible
- C37 LEESON motor shaft endshield is totally enclosed
- C38 Install explosion proof conduit box 175026 (Extra cost)
- C39 LEESON motor has 1.15 service factor
- C40 LEESON motor has 1.25 service factor
- C41 LEESON motor has 1.35 service factor
- C42 LEESON motor has a 145T "C" face and shaft with welded on base
- C43 LEESON motor may not be used on 190-208/380-416V 50HZ at full rated HP
- C44 IEEE 841 modification required - reference mod squad motor modifications L26
- C45 LEESON motor has cast iron C face
- C46 LEESON motor is 60HZ Only
- C47 LEESON motor is 208-230/460V
- C48 LEESON motor is class F insulated
- C49 LEESON motor is EPACT efficiency
- C50 LEESON motor is design B
- C51 LEESON motor is all stainless steel
- C52 LEESON motor has 12 leads
- C53 LEESON motor has standard paint
- C54 LEESON motor is 460 Volt only
- C55 LEESON motor has a solid-state switch
- C56 LEESON motor does not rodent screens

LEESON Product Enclosure Exceptions

- E01 LEESON motor is totally enclosed non-ventilated
- E02 LEESON motor is totally enclosed fan-cooled
- E03 LEESON motor is drip proof

LEESON Product Frame Size Exceptions

- F01 LEESON frame size is 48
- F02 LEESON frame size is S56
- F03 LEESON frame size is 56
- F04 LEESON frame size is 56C
- F05 LEESON frame size is 56H
- F06 LEESON frame size is 145T
- F07 LEESON frame size is 145TC
- F08 LEESON frame size is 182T
- F09 LEESON frame size is 184T
- F10 LEESON frame size is 184TC
- F11 LEESON frame size is 184JM
- F12 LEESON frame size is 215T
- F13 LEESON frame size is 286T
- F14 LEESON frame size is 326T
- F15 LEESON frame size is 364T
- F16 LEESON frame size is 365T
- F17 LEESON frame size is 405T
- F18 LEESON frame size is 444T
- F19 LEESON frame size is 445T
- F20 LEESON frame size is 447T
- F21 LEESON frame size is D63D
- F22 LEESON frame size is 143T
- F23 LEESON frame size is 404T
- F24 LEESON frame size is 213TC
- F25 LEESON frame size is 449T
- F26 LEESON frame size is 256JM
- F27 LEESON frame size is 284JM
- F28 LEESON frame size is 286JM
- F29 LEESON frame size is 56HC
- F30 LEESON frame size is SS56
- F31 LEESON frame size is S213T
- F32 LEESON frame size is 326TS
- F33 LEESON frame size is 324TS
- F34 LEESON frame size is 284TC
- F35 LEESON frame size is 324TC



LEESON Product Horsepower Exceptions

- H01 LEESON motor is rated 1/2 HP
- H02 LEESON motor is rated 1 HP
- H03 LEESON motor is rated 1/3 HP
- H04 LEESON motor is rated 1/4 HP
- H05 LEESON motor is rated 4.0 KW/5.5 HP
- H06 LEESON motor is rated 1/6 HP
- H07 LEESON motor is rated 3/4 HP

LEESON Product Kit Exceptions

- K01 Install AC metric (63 frame) B5 flange kit 175850 (Extra cost)
- K02 Install AC metric (71 frame) B5 flange kit 175852 (Extra cost)
- K03 Install AC metric (80 frame) B5 flange kit 175854 (Extra cost)
- K04 Install AC metric (90 frame) B5 flange kit 175856 (Extra cost)
- K05 Install AC metric (100 frame) B5 flange kit 175984 (Extra cost)
- K06 Install AC metric (112 frame) B5 flange kit 175986 (Extra cost)
- K07 Install AC metric (132 frame) B5 flange kit 175988 (Extra cost)
- K08 Install AC metric (160 frame) B5 flange kit 175890 (Extra cost)
- K09 Install AC metric (180 frame) B5 flange kit 175890 (Extra cost)
- K10 Install AC metric (63 frame) B14 flange kit 175851 (Extra cost)
- K11 Install AC metric (71 frame) B14 flange kit 175863 (Extra cost)
- K12 Install AC metric (80 frame) B14 flange kit 175855 (Extra cost)
- K13 Install AC metric (90 frame) B14 flange kit 175857 (Extra cost)
- K14 Install AC metric (100 frame) B14 flange kit 175985 (Extra cost)
- K15 Install AC metric (112 frame) B14 flange kit 175987 (Extra cost)
- K16 Install AC metric (132 frame) B14 flange kit 175989 (Extra cost)
- K17 Install AC metric (160 frame) B14 flange kit 175991 (Extra cost)
- K18 Install DC metric (71 frame) B5 flange kit 175106 (Extra cost)
- K19 Install DC metric (80 frame) B5 flange kit 175108 (Extra cost)
- K20 Install DC metric (90 frame) B5 flange kit 175108 (Extra cost)
- K21 Install DC metric (100 frame) B5 flange kit 175137 (Extra cost)
- K22 Install DC metric (71 frame) B14 flange kit 175107 (Extra cost)
- K23 Install DC metric (80 frame) B14 flange kit 175109 (Extra cost)
- K24 Install DC metric (90 frame) B14 flange kit 175129 (Extra cost)
- K25 Install DC metric (100 frame) B14 flange kit 175130 (Extra cost)
- K26 Install NEMA steel frame C Face kit 175661 (Extra cost)
- K27 Install NEMA steel frame C Face kit 175294 (Extra cost)
- K28 Install NEMA steel frame C Face kit 175297 (Extra cost)
- K29 Install NEMA steel frame C Face kit 175075 (Extra cost)
- K30 Install NEMA steel frame C Face kit 175076 (Extra cost)
- K31 Install NEMA steel frame C Face kit 175078 (Extra cost)
- K32 Install NEMA steel frame C Face kit 175181 (Extra cost)
- K33 Install NEMA steel frame C Face kit 175077 (Extra cost)
- K34 Install NEMA steel frame C Face kit 175969 (Extra cost)
- K35 Install NEMA steel frame C Face kit 175691 (Extra cost)
- K36 Install NEMA steel frame C Face kit 175303 (Extra cost)
- K37 Install NEMA steel frame C Face kit 175007 (Extra cost)
- K38 Install NEMA steel frame C Face kit 175693 (Extra cost)
- K39 Install NEMA steel frame C Face kit 175008 (Extra cost)
- K40 Install NEMA steel frame C Face kit 175845 (Extra cost)
- K41 Install NEMA steel frame C Face kit 175844 (Extra cost)
- K42 Install NEMA steel frame C Face kit 175304 (Extra cost)
- K43 Install NEMA cast iron C Face kit 175655 (Extra cost)
- K44 Install NEMA cast iron C Face kit 175066 (Extra cost)
- K45 Install NEMA cast iron C Face kit 175068 (Extra cost)
- K46 Install NEMA cast iron C Face kit 175067 (Extra cost)
- K47 Install NEMA cast iron C Face kit 175069 (Extra cost)
- K48 Install NEMA cast iron C Face kit 175191 (Extra cost)
- K49 Install NEMA cast iron C Face kit 175058 (Extra cost)
- K50 Install NEMA cast iron C Face kit 175061 (Extra cost)
- K51 Install NEMA cast iron C Face kit 175059 (Extra cost)
- K52 Install NEMA cast iron C Face kit 175062 (Extra cost)
- K53 Install NEMA cast iron C Face kit 175060 (Extra cost)
- K54 Install NEMA cast iron C Face kit 175063 (Extra cost)
- K55 Install NEMA cast iron C Face kit 175199 (Extra cost)
- K56 Install NEMA cast iron C Face kit 175664 (Extra cost)
- K57 Install Chemical Service/Severe Duty (182/184T) kit 175663 (Extra cost)
- K58 Install Chemical Service/Severe Duty (213/215T) kit 175050 (Extra cost)
- K59 Install Chemical Service/Severe Duty (254/256T) kit 175051 (Extra cost)
- K60 Install Chemical Service/Severe Duty (284/286T) kit 175052 (Extra cost)

- K61 Install Chemical Service/Severe Duty (324/326T) kit 175053 (Extra cost)
- K62 Install Chemical Service/Severe Duty (364/365T) kit 175054 (Extra cost)
- K63 Install Chemical Service/Severe Duty (404/405T) kit 175055 (Extra cost)
- K64 Install Chemical Service/Severe Duty (444/445T) kit 175056 (Extra cost)
- K65 Install NEMA D Flange (182/184T) kit 175694 (Extra cost)
- K66 Install NEMA D Flange (182/184T) kit 175658 (Extra cost)
- K67 Install NEMA D Flange (213/215T) kit 175114 (Extra cost)
- K68 Install NEMA D Flange (213/215T) kit 175115 (Extra cost)
- K69 Install NEMA D Flange (254/256T) kit 175116 (Extra cost)
- K70 Install NEMA D Flange (364/365T) kit 175995 (Extra cost)
- K71 Install NEMA D Flange (254/256T) kit 175192 (Extra cost)
- K72 Install NEMA D Flange (284/286T) kit 175118 (Extra cost)
- K73 Install NEMA D Flange (284/286T) kit 175119 (Extra cost)
- K74 Install NEMA D Flange (324/326T) kit 175120 (Extra cost)
- K75 Install NEMA D Flange (324/326T) kit 175121 (Extra cost)
- K76 Install NEMA D Flange (364/365T) kit 175657 (Extra cost)
- K77 Install Textile "Lint-Proof" kit 175024 (Extra cost)
- K78 Install Textile "Lint-Proof" kit 175025 (Extra cost)
- K79 Install Textile "Lint-Proof" kit 175695 (Extra cost)
- K80 Install Drip-Cover (213/215JP) kit 175305 (Extra cost)
- K82 Install Drip-Cover (56) kit 175004 (Extra cost)
- K83 Install Drip-Cover (143/145T) kit 175004 (Extra cost)
- K84 Install Drip-Cover (182/184T) kit 175614 (Extra cost)
- K85 Install Drip-Cover (213/215T) kit 175849 (Extra cost)
- K86 Install conduit box kit M1760007 (Extra cost)
- K87 Install conduit box kit M1760021 (Extra cost)
- K88 Install NEMA Wattsaver cast iron C face kit 175869 (Extra cost)
- K89 Install Drip-Cover (56) kit 175298 (Extra cost)
- K90 Install NEMA Wattsaver cast iron C face kit 175842 (Extra cost)
- K91 Install Brake kit 175178 (Extra cost)
- K92 Install AC Metric (200 frame) B5 flange 175994 (Extra cost)
- K93 Install AC Metric (200 frame) B5 flange 175995 (Extra cost)
- K94 Install NEMA Cast Iron C-Face kit 175842 (Extra cost)
- K95 Install NEMA Cast Iron C-Face kit 175958 (Extra cost)
- K96 Install NEMA Cast Iron C-Face kit 175454 (Extra cost)
- K97 Install NEMA Cast Iron C-Face kit 175394 (Extra cost)
- K98 Install NEMA D Flange (324/326T) kit 175455 (Extra cost)
- K99 Install NEMA D Flange (404/405T) kit 175956 (Extra cost)
- K100 Install NEMA D Flange (404/405T) kit 175957 (Extra cost)
- K101 Install NEMA D Flange (213/215T) Wattsaver kit 175959 (Extra cost)
- K102 Install NEMA D Flange (182/184T) Wattsaver kit 175396 (Extra cost)
- K103 Install Drip-Cover (182/184T) Cast Iron kit 175961 (Extra cost)
- K104 Install Drip-Cover (213/215TT) Cast Iron kit 175962 (Extra cost)
- K105 Install Drip-Cover (254/256T) Cast Iron kit 175963 (Extra cost)
- K106 Install Chemical Service/Severe Duty (447/449T) kit 175891 (Extra cost)

LEESON Product Protector Exceptions

- P01 LEESON motor has automatic reset protector
- P02 LEESON motor has manual reset protector
- P03 LEESON motor has no thermal overload protector

LEESON Product Shaft Exceptions

- S01 LEESON motor has a 182-4T shaft extension
- S02 LEESON motor has a 213-5T shaft extension
- S03 LEESON motor has a 254-6T shaft extension
- S04 LEESON motor shaft is 1 inch longer
- S05 LEESON motor has shaft that is a TS not T
- S06 LEESON motor has phosphatized shaft
- S07 LEESON has .625 inch diameter shaft
- S08 LEESON has single output shaft
- S09 LEESON shaft center-line height from base is 1.48 inches
- S10 LEESON shaft on left side facing the gearbox
- S11 LEESON shaft center-line height from the base is 1.67 inches
- S12 LEESON motor has 1 1/8" shaft
- S13 LEESON motor has 416 stainless shaft
- S14 LEESON shaft dimensions not "drop in" replacement

LEESON Product Thermostat Exceptions

- T01 LEESON motor has no thermostats
- T02 LEESON motor has normally closed thermostats

DC Motors

Geomotors

Ac / DC Controls

Accessories / Kits

Mods / Factory Options

X-Ref / Index

Tech Information

Terms / Warnings

Other Products



Cross Reference

Baldor to Leeson and Lincoln

Competitor Catalog #	LEESON Catalog #	Exception Code(s) To LEESON	Lincoln Catalog #	LEESON Page #	Competitor Catalog #	LEESON Catalog #	Exception Code(s) To LEESON	Lincoln Catalog #	LEESON Page #
1309-50	113903.00			224	CDP3440-V24	108052.00	F02		292
AFL3520A	111332.00			176	CDP3443	098009.00	F30		282
AFL3521A	111333.00			176	CDP3445	108022.00	F02		282
AFL3522A	120374.00			176	CDP3445-V12	108322.00	F02		292
AFL3523A	120375.00			176	CDP3445-V24	108053.00	F02		292
AFL3524A	120376.00			176	CDP3450	108020.00	F02		282
AFL3525A	111949.00			176	CDP3455	108023.00	F02		282
AFM3528	111334.00			176	CDP3460	108021.00	F02		282
AFM3529	111335.00			176	CDP3575	108092.00	F02		282
AFM3530	120377.00			176	CDP3575	128000.00			282
AFM3532	120379.00			176	CDP3580	108265.00	F02		282
ANFL3501M	101435.00		LM24462	180	CDP3585	128010.00			282
ANFL3504M	101436.00		LM24463	180	CDP3590	108266.00			282
ANFL3507M	101437.00		LM24812	180	CDP3604	108502.00			282
ANFL3510M	113302.00		LM24813	180	CDPSWD3410	109065.00			164
ANFL3514M	113301.00		LM24814	180	CDPSWD3426	109070.00			164
Baldor	096052.00			327	CDPSWD3430	109069.00			164
Baldor	096068.00			335	CDPSWD3545	109075.00			164
Baldor	100905.00			43	CDPSWD3555	109076.00			164
Baldor	113769.00	C25 F03		16	CDPWD3306	098375.00	F02		142
Baldor	120867.00	C25 F06		17	CDPWD3310	108423.00	F02		142
Baldor	131629.00			23	CDPWD3316	098376.00	F02		142
Baldor	131971.00			34	CDPWD3320	108424.00	F02		142
BL3507	114167.00	F04		257	CDPWD3326	108227.00	F02		142
BL3510	111951.00	F04		257	CDPWD3330	108226.00	F02		142
BL3517	114165.00	F04		257	CDPWD3436	108229.00	E01		142
BL3518	111950.00	F04		257	CDPWD3440	108228.00			142
BM3108	114162.00			257	CDPWD3445	108230.00	F02		142
BM3112	114163.00			257	CDPWD3455	108231.00	F02		142
BM3116	114164.00			257	CDPWD3575	108232.00	F02		142
BM3154T	G120370.00			257	CDPX3420	118015.00	F02		284
BM3157T	G120371.00			257	CDPX3426	118017.00	F02		284
BM3248T	G131627.00			257	CDPX3430	118016.00	F02		284
BM3538	114150.00			258	CDPX3436	118019.00	F02		284
BM3539	114149.00			258	CDPX3440	118018.00	F02		284
BM3542	114147.00			258	CECP83769T4	811550.00			89
BM3543	114148.00			258	CEM2333T	171587.60		LM16762	72
BM3546	114146.00			258	CEM2334T	171589.60		LM62032	72
BM3546T	G121679.00			258	CEM2394T	171586.60		LM16761	72
BM3554	116767.00			258	CEM2513T	170175.60	C02	LM32781	62
BM3554T	G120329.00			258	CEM2514T	170070.60	C02	LM32782	62
BM3556T	G121050.00			258	CEM2515T	170071.60	C02	LM32783	62
BM3558T	G120330.00			258	CEM2516T	171688.60	C02	LM32784	63
BM3569	114151.00			258	CEM2531T	170073.60	C02	LM31245	63
BM3611T	G131613.00			258	CEM2535T	171377.60	C02	LM31246	63
BM3614T	G131620.00			258	CEM2539T	170378.60	C02	LM13837	63
BM3615T	G131614.00			258	CEM2547T	171689.60	C02	LM15570	63
BM3704T	G140601.00			258	CEM2551T	171690.60	C02	LM15573	63
BM3710T	G140603.00			258	CEM2555T	171691.60	C02	LM17387	63
BM3714T	G140636.00			258	CEM3116T	121935.00		LM32762	61
BM3730T	G140603.00			258	CEM3154T	121675.00			61
CBM3546T	G121557.00			259	CEM3157T	121676.00		LM32768	61
CBM3554T	G121051.00			259	CEM3158T	121928.00		LM32770	62
CBM3558T	G121052.00			259	CEM3211T	132081.00		LM32771	62
CBM3611T	G131617.00			259	CEM3212T	132242.00		LM32773	62
CBM3615T	G131618.00			259	CEM3218T	132082.00		LM32774	62
CBM3710T	G140605.00			259	CEM3219T	132244.00		LM32776	62
CBM3714T	G140639.00			259	CEM3311T	140767.00		LM32666	62
CDP3306	098003.00	F30		282	CEM3312T	141111.00		LM32778	62
CDP3310	098002.00	F30		282	CEM3313T	140768.00		LM32649	62
CDP3316	098005.00	F30		282	CEM3314T	141119.00			62
CDP3320	098004.00	F30		282	CEM3543T	170379.60	C02	LM13839	63
CDP3326	098008.00	F30		282	CEM3546	116745.00			69
CDP3330	098000.00	F30		282	CEM3546T	121179.00		LM32822	69
CDP3335	098006.00	E02		282	CEM3550T	121672.00		LM32824	70
CDP3410-V12	108045.00	F02		292	CEM3554	116746.00			70
CDP3420-V12	108046.00	F02		292	CEM3554T	121180.00		LM32825	70
CDP3420-V24	108050.00	F02		292	CEM3555T	121673.00		LM32828	70
CDP3430-V12	108047.00			292	CEM3558	116747.00			70
CDP3430-V24	108051.00	F02		292	CEM3558T	121181.00		LM32829	70
CDP3436	098069.00	F30		282	CEM3559T	121929.00			71
CDP3440	098032.00	F30		282	CEM3581T	121179.00	C01	LM32822	69
CDP3440-V12	108048.00	F02		292	CEM3583T	121672.00	C01	LM32824	70

This information is furnished as a guide only.
Always check specific motor to determine suitability for direct replacement



Baldor to Leeson and Lincoln

Competitor Catalog #	LEESON Catalog #	Exception Code(s) To LEESON	Lincoln Catalog #	LEESON Page #	Competitor Catalog #	LEESON Catalog #	Exception Code(s) To LEESON	Lincoln Catalog #	LEESON Page #
CEM3584T	121180.00	C01	LM32825	70	CEWDBM3538	116467.00	C08		138
CEM3586T	121673.00	C01	LM32828	70	CEWDBM3542	116468.00	C08		138
CEM3587T	121181.00	C01	LM32829	70	CEWDBM3546	116469.00	C08		138
CEM3610T	132079.00		LM16741	71	CEWDBM3546T	121616.00	C08		138
CEM3611T	131504.00		LM16742	71	CEWDBM3554T	G121617.00	C08 E02		138
CEM3613T	132080.00		LM16745	71	CEWDBM3558T	G121618.00	C08		138
CEM3615T	131502.00		LM16747	71	CEWDBM3615T	G121618.00			138
CEM3660T	132079.00	C01	LM16741	71	CEWDM3546T	121867.00			136
CEM3660T	171564.60		LM62016	71	CEWDM3558T	121868.00			136
CEM3661T	131504.00	C01	LM16742	71	CEWDM3559T	121870.00			136
CEM3661T	171565.60		LM62017	71	CEWDM355T	121871.00			136
CEM3663T	132080.00	C01	LM16745	71	CEWDM3611T	132108.00			
CEM3663T	171446.60		LM62019	71	CEWDM3611T	132198.00			136
CEM3664T	132243.00		LM32830	70	CEWDM3613T	132200.00			136
CEM3665T	131502.00	C01	LM16747	71	CEWDM3615T	132201.00			136
CEM3665T	171566.60		LM62020	71	CEWDM3709T	141120.00			136
CEM3704T	140834.00		LM32833	71	CEWDM3710T	140822.00			136
CEM3709T	140770.00		LM16750	71	CEWDM3714T	140821.00			136
CEM3710T	140521.00		LM32838	71	CFDL3501M	116485.00			28
CEM3714T	140522.00		LM32841	72	CFDL3504M	116486.00			28
CEM3768T	171116.60		LM32835	71	CFDL3507M	116487.00			28
CEM3769T	140770.00	C01	LM16750	71	CFDL3510M	116488.00	F04		173
CEM3769T	170166.60		LM62085	71	CFDL3514M	116489.00	C39		173
CEM3770T	140521.00	C01	LM32838	71	CFDL3516TM	121625.00			173
CEM37711T	170168.60		LM62025	72	CFM3136A	116772.00	S14		194
CEM3771T	140769.00	C01	LM32840	72	CFM3146A	116773.00	S14		194
CEM3774T	140522.00	C01	LM32841	72	CFM3156A	111147.00			194
CEM4103T	171591.60		LM62035	72	CFM3166A	111148.00			194
CEM4104T	171592.60		LM16744	73	CHC144A	100803.00		LM2447	174
CEM4106T	171588.60		LM62031	72	CHC164A	100824.00		LM24442	174
CEM4107T	171590.60		LM32659	72	CHC244A	100804.00		LM24448	174
CEM4108T	170108.60		LM16773	73	CHC264A	100825.00		LM24443	174
CEM4109T	170110.60		LM13725	73	CHC3413A	100803.00		LM2447	174
CEM4110T	171593.60		LM62041	73	CHC3414A	100824.00		LM24442	174
CEM4114T	170112.60		LM13727	73	CHC3416A	100804.00		LM24448	174
CEM4115T	171594.60		LM62044	73	CHC3417A	100825.00		LM24443	174
CEM4198T	171591.60		LM62035	72	CHC345A	111323.00			174
CEM4310T	170114.60		LM15562	73	CHC3524A	101645.00		LM24444	174
CEM4313T	171115.60		LM15566	73	CHC3524A	111323.00			174
CEM4314T	171595.60		LM62047	73	CHC3525A	111321.00			174
CEM4316T	171596.60		LM15567	73	CHC3526A	111919.00			174
CEM4400T	171597.60		LM15263	74	CHC3528A	111322.00			174
CEM7034T	121920.00			102	CHC364A	101645.00		LM24444	174
CEM7037T	121921.00	P01		102	CHC365A	111321.00			174
CEM7037T	121922.00			102	CHC445A	111324.00			174
CEM7042T	825126.00	C02		102	CHC465A	111266.00			174
CEM7044T	825071.00	C02		102	CHC545A	111267.00			174
CEM7045T	825072.00	C02		102	CHL3523A	101176.00	B31		174
CEM7047T	825073.00	C02		102	CJL3504A	113637.00			114
CEM7053T	825076.00			102	CJL3507A	113638.00			114
CEM7054T	825077.00			102	CJM3107	102199.00			115
CEM7058T	825081.00			102	CJM3111	101776.00			115
CEM7059T	825078.00			102	CJM3115	101775.00			115
CEM7060T	825082.00			102	CJM3120	114203.00			115
CEM7062T	825083.00			102	CJM3155	114202.00			115
CEM7063T	825080.00			102	CJM3158	114201.00			115
CEM7064T	825084.00			102	CJM3542	113028.00			116
CEM7072T	825127.00	C02		102	CL1301	103023.00			23
CEM7170T	825075.00			102	CL1303	103024.00			23
CEM7174T	825074.00			102	CL1304	101651.00		LM24697	23
CESSWDM3550T	121874.00	F02		160	CL1307	101650.00		LM24699	23
CESSWDM3554	117284.00	F29		160	CL1310	113930.00		LM24700	23
CESSWDM3554T	121873.00			160	CL1408TM	131629.00			23
CESSWDM3558T	121877.00			160	CL1408TM	131853.00			23
CESSWDM3559T	121878.00			160	CL1410TM	131630.00			23
CESSWDM3613T	132207.00			160	CL1430TM	131630.00			23
CESSWDM3615T	132208.00			160	CL3403	102916.00	F02	LM24723	26
CESSWDM3709T	140825.00			160	CL3405	102929.00	F02	LM24724	26
CESSWDM3710T	140826.00			160	CL3501	102930.00	F02	LM24600	26
CESSWDM3711T	140827.00			160	CL3503	102903.00		LM24725	26
CESSWDM3714T	140828.00			160	CL3504	102907.00		LM24628	26
CESWDM35554T	121912.00			153	CL3506	112135.00		LM24726	26
CESWDM3558T	121913.00			153	CL3507	110905.00		LM24615	26

DC Motors

Gearmotors

Ac / DC Controls

Accessories / Kits

Mods / Factory Options

X-Ref / Index

Tech Information

Terms / Warnings

Other Products



This information is furnished as a guide only. Always check specific motor to determine suitability for direct replacement

Cross Reference

Baldor to Leeson and Lincoln

Competitor Catalog #	LEESON Catalog #	Exception Code(s) To LEESON	Lincoln Catalog #	LEESON Page #	Competitor Catalog #	LEESON Catalog #	Exception Code(s) To LEESON	Lincoln Catalog #	LEESON Page #
CL3509	110180.00		LM24727	26	CM3550T	G121290.00			
CL3510	110908.00		LM24616	26	CM3554	110918.00		LM24095	70
CL3513	110909.00		LM24539	26	CM3554-5	110893.00	K30	LM25099	209
CL3514	110910.00		LM24728	26	CM3554T	G121287.00			
CL3515	113931.00		LM24729	27	CM3554T-5	120021.00	K33		
CL3515T	121008.00		LM24730	27	CM3555	113927.00		LM24121	70
CL3516TM	121465.00	C25		27	CM3555T	G121510.00			
CL3608TM	131632.00	C39		27	CM3556T	G120428.00			
CL3612TM	131633.00			27	CM3557	114198.00			70
CL3619TM	131631.00			27	CM3558	116106.00	F29	LM24081	70
CL3619TM	131857.00	C25 C39		27	CM3558T	G120276.00			
CL3711T	140695.00			27	CM3558T-5	120019.00	K33		
CL3712T	140678.00	C48		27	CM3559	114615.00	F29	LM24953	71
CL5001A	116606.00			100	CM3559T	G120991.00			
CL5003A	116608.00	F29		100	CM3559T-5	120423.00	K33		
CL5004A	116609.00	F29		100	CM3607T	116592.00			70
CL5007A	116612.00	F29		100	CM3610T	G131899.00			
CL5009A	116613.00	F29		100	CM3611T	G130326.00			
CL5013	116615.00	B22		100	CM3611T-5	131460.00	K35		
CL5023A	116614.00	F29		100	CM3613T	G131173.00	C02		
CL5030T	116615.00	F29		100	CM3613T-5	131552.00	K35		
CL5031T	116616.00	F29		100	CM3614T	G131497.00			
CM2333T	G150102.60				CM3615T	G130328.00			
CM2333T-5	150116.60	K48			CM3615T-5	131461.00	K35		
CM2334T	G150080.60				CM3616T	G130990.00			
CM2334T-5	150117.60	K48			CM3660T	G151564.60			
CM2513T	G150175.60	C02			CM3661T	G151565.60			
CM2514T	G150070.60	C02			CM3663T	G151446.60			
CM2515T	G150071.60	C02			CM3665T	G151566.60			
CM2516T	G151688.60	C02			CM3704T	G140602.00			
CM2531T	G150073.60	C02			CM3708T	G140482.00			
CM2535T	G151377.60	C02			CM3709T	G131774.00			
CM2539T	G151378.60	C02			CM3710T	G140183.00			
CM2543T	G151379.60	C02			CM3710T-5	140593.00	K41		
CM2547T	G151689.60	C02			CM3711T	G140696.00			
CM2551T	G151690.60	C02			CM3711T-5	150197.60	C02 K45		
CM2555T	G151691.60	C02			CM3713T-5	150198.60	C02 K45		
CM3104	100599.00	F02	LM24277	61	CM3714T	G140147.00			
CM3107	100600.00	F02	LM24879	61	CM3714T-5	150212.60	C02 K45		
CM3108	100601.00	F02	LM24880		CM3769T	G150166.60			
CM3112	100602.00		LM24267	61	CM3770T	G150165.60			
CM3116T	G121650.00				CM3771T	G150168.60			
CM3154T	121674.00			61	CM3773T	G140697.00			
CM3154T	G121651.00				CM3774T	170167.60	C15	LM62026	72
CM3155	114218.00			61	CM3774T	G150167.60			
CM3157T	G120275.00				CM4103T	G150081.60			
CM3158T	G121072.00	C25			CM4104T	G150082.60			
CM3211T	G130325.00				CM4106T	G150079.60			
CM3212T	G131249.00				CM4107T	G150106.60			
CM3218T	G130327.00				CM4108T	G150108.60			
CM3219T	G131250.00				CM4109T	G150110.60			
CM3311T	G140589.00				CM4110T	G150083.60			
CM3312T	G140692.00				CM4114T	G150112.60			
CM3313T	G140146.00				CM4115T	G150084.60			
CM3314T	G140693.00				CM4310T	G150114.60			
CM3534	102922.00		LM24114	69	CM4313T	G150115.60			
CM3534-5	101051.00	H01 K28		209	CM4314T	G150085.60			
CM3537	114142.00		LM24129	69	CM4316T	G150086.60			
CM3538	102917.00		LM24074	69	CM4400T	G151680.60			
CM3538-5	101051.00	K28		209	CM7005A	114627.00			102
CM3539	110914.00		LM24104	69	CM7006A	114628.00			102
CM3541	110915.00		LM24134	69	CM7006A	116190.00			102
CM3542	110916.00		LM24076	69	CM7009A	114629.00			102
CM3542-5	110178.00	K30	LM25095	209	CM7010A	114630.00			102
CM3543	116340.00		LM24140	69	CM7013	114631.00			102
CM3545	110181.00		LM24126	69	CM7014T	114632.00	P01		102
CM3546	110912.00		LM24079	69	CM7014T	121919.00			102
CM3546-5	110206.00	K30	LM25097	209	CM7014T	G121541.00			
CM3546T	121936.00			69	CM7018T	114633.00	F04		102
CM3546T	G121286.00	F07			CM7034	114634.00	F29		102
CM3546T-5	120122.00	K33			CM7037T	G121182.00			
CM3550	110917.00		LM24135	70	CM7042T	G850617.00	C02		

This information is furnished as a guide only.
Always check specific motor to determine suitability for direct replacement



Competitor Catalog #	LEESON Catalog #	Exception Code(s) To LEESON	Lincoln Catalog #	LEESON Page #	Competitor Catalog #	LEESON Catalog #	Exception Code(s) To LEESON	Lincoln Catalog #	LEESON Page #
CM7044T	G850618.00	C02			CSWDM3538	191204.00			156
CM7045T	G850589.00	C02			CSWDM3542	114561.00			153
CM7047T	G850619.00	C02			CSWDM3542	191207.00			156
CM7053T	G850591.00				CSWDM3546	114562.00			153
CM7054T	G850621.00				CSWDM3546	191291.00			156
CM7056T	G850622.00				CSWDM3546T	121165.00			153
CM7058T	G850623.00				CSWDM3546T	G191212.00	E01		
CM7059T	G850592.00				CSWDM3554	191217.00	E01 F29		156
CM7060T	G850624.00				CSWDM3554T	G191218.00	E01		
CM7062T	G850625.00				CSWDM3558	191223.00	F29		156
CM7063T	G850593.00				CSWDM3558T	G191224.00			
CM7064T	G850626.00				CWDL3504	112527.00	C55		133
CM7071T	114635.00	F29		102	CWDL3507	112528.00	C55		133
CM7072T	G850588.00	C02			CWDL3509	113583.00	C55		133
CM7075T	114636.00	F29		102	CWDL3510	112529.00	C55		133
CM7170T	G850620.00				CWDL3513	113584.00	C55		133
CM7174T	G850590.00				CWDL3514	113300.00	C55 F29		133
CNM3538	102919.00	F02		69	CWDM3537	113588.00			136
CP4400T-4	LM32896			100	CWDM3538	113586.00			136
CP4402T	LM14644			100	CWDM3538-5	112483.00	E02		136
CP4406T-4	LM32902			100	CWDM3539	115743.00			136
CP4407T-4	LM32905			100	CWDM3541	113589.00			136
CP4408T-4	LM14643			100	CWDM3542	113587.00			136
CP4410T-4	LM32899			100	CWDM3542-5	112484.00	E02		136
CP44256T-4	LM15723			100	CWDM3543	115744.00	F29		136
CP44304T	LM14642			100	CWDM3545	113590.00			136
CP44354T-4	LM14645			100	CWDM3546	112524.00	E02		136
CSEWDM3558T	117299.00			168	CWDM3546-5	112522.00	E02		136
CSSEWDM3550T	121879.00			168	CWDM3546T	G120587.00	E02		
CSSEWDM3550T	121908.00			168	CWDM3550	113591.00	E01		136
CSSEWDM3554T	121880.00			168	CWDM3554	112643.00	E02		136
CSSEWDM3554T	121909.00			168	CWDM3554T	G121540.00	E02		
CSSEWDM3555T	121910.00			168	CWDM3555	113592.00	E01		136
CSSEWDM3558T	121911.00			168	CWDM3555T	121039.00	E01		136
CSSSWDM3537	117118.00			168	CWDM3556	115745.00	F29		136
CSSSWDM3538	117119.00			168	CWDM3557	115746.00	F29		136
CSSSWDM3541	117120.00			168	CWDM3558	112644.00			136
CSSSWDM3542	117121.00			168	CWDM3558T	G120588.00			
CSSSWDM3544	117296.00			168	CWDM3559T	G120911.00			
CSSSWDM3545	117122.00			168	CWDM3611T	G130664.00			
CSSSWDM3546	117123.00			168	CWDM3613T	G131167.00			
CSSSWDM3550T	G121748.00			168	CWDM3615T	G131171.00			
CSSSWDM3554T	G121749.00			168	CWDM3616T	132199.00			136
CSSSWDM3555T	G121739.00			168	CWDM3616T	G132016.00			
CSSSWDM3558T	121882.00			168	CWDM3709T	G131165.00			
CSSSWDM3558T	G121740.00			168	CWDM3710T	G140466.00			
CSSWDM3537	117269.00	F29		160	CWDM3711T	G140700.00			
CSSWDM3538	103387.00	F02		160	CWDM3713T	G140701.00			
CSSWDM3538	103411.00	F02		168	CWDM3714T	G140464.00			
CSSWDM3538	115633.00	F29			CWSSWDM3610T	132206.00			160
CSSWDM3538	117266.00	F29		160	DGC1301M	191742.00			237
CSSWDM3541	117271.00	F29		160	DGC1304M	100802.00			237
CSSWDM3542	103388.00	F02		160	DGC1307M	113642.00			237
CSSWDM3542	103412.00	F02		168	EBM3211T	G131626.00	C49		257
CSSWDM3542	115634.00	F29			EBM3248T	G131627.00	C49		257
CSSWDM3542	117267.00	F29		160	EBM3311T	G140611.00	C49		257
CSSWDM3545	116169.00	F29			EBM3313T	G140635.00	C49		257
CSSWDM3545	117273.00	F29		160	ECP2276T	LM16656			91
CSSWDM3546	115635.00	F29		160	ECP2276T-4	170122.60	C47 C53 K59	LM15892	46
CSSWDM3546	117286.00	F29		160	ECP2332T-4	170123.60	C47 C53 K59	LM15675	47
CSSWDM3555T	G121812.00				ECP2333T	LM32873			91
CSSWDM3558	117285.00	F29		160	ECP2333T-4	170066.60	C47 C53 K59	LM24208	47
CSSWDM3559T	G121528.00				ECP2334T	LM32876			91
CSSWDM3611T	G131900.00				ECP2334T-4	170007.60	C47 C53 K59	LM24207	47
CSSWDM3613T	G131901.00				ECP2394T-4	170062.60	C47 C53 K59	LM15890	47
CSSWDM3615T	G131902.00				ECP3581T	LM32856			91
CSSWDM3709T	G140698.00				ECP3582T	LM32587			
CSSWDM3710T	G140675.00				ECP3661T	171623.60			90
CSSWDM3711T	G140699.00				ECP3661T	LM16644			91
CSSWDM3714T	G140676.00				ECP3661T-4	171320.60	C47 C53 K57	LM60026	45
CSSWDM3554T	121875.00			160	ECP3663T	LM32864			91
CSWDM3537	114560.00			153	ECP3664T	171634.60			90

DC Motors

Gearmotors

Ac / DC Controls

Accessories / Kits

Mods / Factory Options

X-Ref / Index

Tech Information

Terms / Warnings

Other Products



This information is furnished as a guide only. Always check specific motor to determine suitability for direct replacement

Cross Reference

Baldor to Leeson and Lincoln

Competitor Catalog #	LEESON Catalog #	Exception Code(s) To LEESON	Lincoln Catalog #	LEESON Page #	Competitor Catalog #	LEESON Catalog #	Exception Code(s) To LEESON	Lincoln Catalog #	LEESON Page #
ECP3665T	LM16650			91	ECP84106T-4	811556.00			89
ECP3665T4	171630.60			90	ECP84107T-4	811558.00			89
ECP3764T-4	171378.60	C47 C53 K58	LM60027	45	ECP84108T-4	811560.00			89
ECP3768T	171635.60			90	ECP84109T-4	811562.00			89
ECP3768T	LM32867			91	ECP84110T-4	811563.00			89
ECP3768T-4	171379.60	C47 C53 K58	LM15883	46	ECP84114-T	811564.00			89
ECP3769T-4	170158.60	C47 C53 K58	LM15878	46	ECP84115T-4	811564.00			89
ECP3770T	LM32869			91	ECP84310T-4	811566.00			89
ECP3770T-4	170157.60	C47 C53 K58	LM24209	46	ECP84313T-4	811568.00			89
ECP3771T-4	170159.60	C47 C53 K58	LM15861	47	ECP84400T-4	811571.00			89
ECP3774T	171617.60			90	ECP84402T-4	811570.00			89
ECP3774T	LM16919			91	ECP94316T-4	811569.00			89
ECP3774T-4	170140.60	C47 C53 K58	LM60036	47	EFM2333T	170066.60	C04	LM24208	47
ECP4100T	LM32874			91	EFM2334T	170007.60	C04	LM24207	47
ECP4100T-4	170068.60	C47 C53 K60	LM15793	47	EFM2513T	170065.60	C04	LM24190	35
ECP4102T	LM32877			91	EFM2515T	170006.60	C04	LM24199	35
ECP4102T-4	170001.60	C47 C53 K60	LM15796	47	EFM2531T	170009.60	C04	LM29576	36
ECP4103T	LM32879			91	EFM2535T	170013.60	C04	LM29577	36
ECP4103T-4	170011.60	C47 C53 K60	LM15792	48	EFM2539T	170017.60	C04	LM13811	36
ECP4104T	LM32882			91	EFM2543T	170021.60	C04	LM13813	36
ECP4104T-4	170015.60	C47 C53 K60	LM13964	48	EFM2547T	170025.60	C04	LM14813	36
ECP4106T-4	170033.60	C47 C53 K59	LM15673	47	EFM3211T	171320.60	C04	LM60026	45
ECP4107T-4	170035.60	C47 C53 K60	LM13960	48	EFM3211T	G131240.00			
ECP4108T-4	170037.60	C47 C53 K60	LM60046	48	EFM3218T	171322.60	C04	LM24195	46
ECP4109T-4	170039.60	C47 C53 K61	LM19749	49	EFM3218T	G131239.00			
ECP4110T-4	170019.60	C47 C53 K61	LM13699	49	EFM3311T	170142.60	C04		35
ECP4111T-4	170003.60	C47 C53 K61	LM13696	48	EFM3311T	G140609.00			
ECP4114T	LM32685			100	EFM3313T	170144.60	C04		35
ECP4114T-4	170041.60	C47 C53 K61	LM60052	49	EFM4103T	170011.60	C04	LM15792	48
ECP4115T	LM32887			100	EFM4104T	170015.60	C04	LM13964	48
ECP4115T-4	170023.60	C47 C53 K61	LM19753	49	EL1203	101423.00	C08 C25	LM24458	7
ECP4117T-4	170005.60	C47 C53 K62	LM60048	48	EL1301	113765.00	E02		15
ECP4308T-4	170096.60	C47 C53 K62	LM13918	49	EL1304	113766.00	E02		15
ECP4310T-4	170043.60	C47 C53 K62	LM14808	49	EL1307	101544.00	F02	LM24504	7
ECP4312T	LM32888			100	EL1310	113630.00			8
ECP4312T-4	170097.60	C47 C53 K62	LM19754	49	EL1319	113769.00	E02		16
ECP4313T-4	170045.60	C47 C53 K62	LM14810	50	EL1319T	110005.00	C08	LM24583	8
ECP4314T-4	170027.60	C47 C53 K62	LM14809	49	EL1319T	120042.00	C08	LM24687	8
ECP4316T	LM32893			100	EL1405T	131515.00	C08	LM24678	8
ECP4316T-4	170031.60	C47 C53 K62	LM14811	50	EL1408T	131534.00	C08 C10 C25	LM24680	9
ECP4400T-4	170087.60	C47 C53 K63	LM19762	50	EL1408T	131851.00			9
ECP4402T	LM32895			100	EL1410T	131537.00	C08	LM24682	9
ECP4402T-4	170160.60	C47 C53 K63	LM13939	50	EL3501	113765.00	C25 P02		15
ECP4403T-4	170098.60	C47 C53 K63	LM13938	49	EL3504	113766.00	C25 P02		15
ECP4404T-4	170099.60	C47 C53 K63	LM60060	50	EL3507	113767.00	C25 P02		16
ECP4406T-4	170371.60	C47 C53 K64	LM13707	51	EL3510	113768.00	C25 F03		16
ECP4407T-4	170352.60	K64	LM16230	51	EL3514	113769.00	C25 F03		16
ECP4408T-4	151516.60	C08 C53			EL3514T	113769.00	C05 F05 P02		16
ECP4409T-4	170256.60	C53 K64	LM13702	50	EL3605T	131541.00	C08 F08	LM24796	171
ECP4410T-4	170369.60	C47 C53 K64	LM60065	50	EL3609T	131533.00	C08	LM24716	17
ECP4411T-4	170260.60	C53 K64	LM13705	50	EL3612T	131538.00	C08	LM24718	17
ECP44156T-4	171315.60	C47 C53 K64	LM16231	51	EM2276T	170122.60		LM15892	46
ECP44206T-4	171316.60	C47 C53 K106	LM60072	51	EM2332T	170123.60		LM15675	47
ECP64314T-4	811567.00			89	EM2333T	170066.60		LM24208	47
ECP82333T-4	811555.00			89	EM2333T-5	170116.60	C02	LM16400	211
ECP82334T-4	811557.00			89	EM2334T	170007.60		LM24207	47
ECP82394T-4	811554.00			89	EM2334T-5	170117.60	C02	LM15919	211
ECP83581T-4	811541.00			89	EM2394T	170062.60		LM15890	47
ECP83583T-4	811542.00			89	EM2394T-5	170198.60	C02	LM17075	211
ECP83584T-4	811543.00			89	EM2506T	170145.60	C02	LM32738	
ECP83586T-4	811544.00			89	EM2511T	170146.60	C02	LM32742	35
ECP83587T-4	811545.00			89	EM2513T	170065.60	C02	LM24190	35
ECP83660T	811546.00			89	EM2514T	170032.60	C02	LM32745	35
ECP83661T	811547.00			89	EM2515T	170006.60	C02	LM24199	35
ECP83663T	811548.00			89	EM2516T	170034.60	C02	LM32747	36
ECP83665T-4	811549.00			89	EM2524T	170067.60	C02	LM31244	
ECP83769T-4	811550.00			89	EM2528T	170000.60	C02	LM30273	
ECP83770T-4	811551.00			89	EM2531T	170009.60	C02	LM29576	36
ECP83774T-4	811553.00			89	EM2532T	170002.60	C02	LM13809	
ECP8377IT-4	811552.00			89	EM2534T	170036.60	C02	LM32687	36
ECP84103T-4	811559.00			89	EM2535T	170013.60	C02	LM29577	36
ECP84104T-4	811561.00			89	EM2536T	170004.60	C02	LM13810	36

This information is furnished as a guide only.
Always check specific motor to determine suitability for direct replacement



Baldor to Leeson and Lincoln

Competitor Catalog #	LEESON Catalog #	Exception Code(s) To LEESON	Lincoln Catalog #	LEESON Page #	Competitor Catalog #	LEESON Catalog #	Exception Code(s) To LEESON	Lincoln Catalog #	LEESON Page #
EM2538T	170038.60	C02	LM13969	36	EM3559-T	171624.60	C02		210
EM2539T	170017.60	C02	LM13811	36	EM3581T	120921.00	C01	LM32796	44
EM2540T	170147.60		LM13924	36	EM3581T	171640.60		LM24102	44
EM2542T	170040.60	C02	LM13812	36	EM3582T	121520.00	C01	LM33121	44
EM2543T	170021.60	C02	LM13813	36	EM3582T	171643.60		LM15856	44
EM2544T	170148.60		LM13927	36	EM3583T	116758.00	C01		44
EM2546T	170042.60	C02	LM13814	36	EM3583T	121518.00	C01	LM33122	44
EM2547T	170025.60	C02	LM14813	36	EM3583T	171642.60		LM15854	44
EM2548T	170149.60	C02	LM13944	36	EM3584T	120922.00	C01	LM33123	44
EM2549T	170044.60	C02	LM13945	37	EM3584T	171646.60		LM25267	44
EM2550T	170151.60	C02	LM14814	37	EM3586T	121519.00	C01	LM33124	45
EM2551T	170029.60	C02	LM14815	37	EM3586T	171648.60		LM15857	45
EM2552T	170150.60	C02	LM13947	37	EM3587T	120923.00	C01	LM33125	45
EM2554T-4	170154.60	C02 C47	LM13942	37	EM3587T	171647.60		LM24127	45
EM2555T	170152.60	C02	LM13943	37	EM3607T-5	132251.00		LM17059	209
EM2555T-4	170152.60	C02 C47	LM13943	37	EM3610T	131985.00		LM15646	45
EM2556T-4	171449.60	C02	LM13945	37	EM3611T	131463.00		LM32741	45
EM2557T-4	170155.60	C47	LM13946	37	EM3611T-5	132253.00		LM16384	210
EM2557T-4	170259.60		LM13816	37	EM3613T	131987.00		LM15649	46
EM2558T-4	171522.60		LM13817	37	EM3613T-5	132254.00		LM16386	210
EM2559T-4	170155.60	C02 C47	LM13946	37	EM3614T-5	132252.00		LM17062	209
EM2560T-4	171576.60		LM13818	37	EM3615T	131464.00		LM15650	46
EM2562T-4	171573.60		LM13819	37	EM3615T-5	132255.00		LM17067	210
EM2563T-4	171523.60		LM13820	37	EM3660T	131985.00	C01	LM15646	45
EM2564T-4	171577.60		LM16239	37	EM3661T	171320.60		LM60026	45
EM2569T-4	151525.60	C08			EM3663T	131987.00	C01	LM15649	46
EM2583T-4	170255.60		LM13815	37	EM3664T	131981.00	C01	LM15651	45
EM3115	116128.00			33	EM3665T	171322.60		LM24195	46
EM3116T	121003.00		LM24871	33	EM3667T	131980.00	C01	LM15648	44
EM3120T	121514.00		LM32727	34	EM3704T	171378.60	C02	LM60027	45
EM3154T	121004.00		LM24875	34	EM3708T	171379.60	C02	LM15883	46
EM3155T	121515.00		LM33137	34	EM3709T	140756.00		LM32804	46
EM3156T	121517.00		LM24872	33	EM3709T-5	170196.60	C02	LM16389	210
EM3157T	121005.00		LM24169	34	EM3709T-5	170197.60	C02	LM16394	210
EM3158T	121516.00		LM32731	34	EM3710T	140450.00		LM16029	46
EM3207T	131971.00			34	EM3710T-5	141116.00		LM16391	210
EM3211T	131519.00		LM24222	34	EM3711T	140755.00		LM32808	47
EM3212T	131986.00	F09	LM32734	35	EM3714T	140451.00		LM32809	47
EM3215T	131972.00			34	EM3764T	171378.60		LM60027	45
EM3218T	131520.00		LM24202	35	EM3768T	171379.60		LM15883	46
EM3219T	131988.00		LM32737	35	EM3769T	170158.60		LM15878	46
EM3305T	171574.60	C02	LM32733	34	EM3770T	170157.60		LM24209	46
EM3309T	171575.60	C02	LM32735	35	EM3771T	170159.60		LM15861	47
EM3311T	140470.00		LM24194	35	EM3774T	170140.60		LM60036	47
EM3311T	170142.60	C02		35	EM3774T-5	170212.60	C02	LM17073	210
EM3312T	140753.00		LM32740	35	EM4100T	170068.60		LM15793	47
EM3313T	140472.00		LM24193	35	EM4102T	170001.60		LM15796	47
EM3314T	140754.00		LM32743	35	EM4103T	170011.60		LM15792	48
EM3314T	170064.60	C02		35	EM4103T-5	170118.60	C02	LM16407	211
EM3538	103020.00	C02		43	EM4104T	170015.60		LM13964	48
EM3545	116129.00			44	EM4104T-5	170119.60	C02	LM19595	211
EM3546	116752.00			33	EM4106T	170033.60		LM15673	47
EM3546	116757.00			44	EM4106T-5	170199.60	C02	LM16403	211
EM3546T	120921.00		LM32796	44	EM4107T	170035.60		LM13960	48
EM3546T-5	120122.00				EM4107T-5	170224.60	C02	LM16406	211
EM3546T-5	121937.00		LM24109	209	EM4108T	170037.60		LM60046	48
EM3550	116758.00			44	EM4108T-5	170228.60	C02	LM20085	211
EM3550T	121518.00		LM33122	44	EM4109T	170039.60		LM19749	49
EM3550T-5	121939.00		LM25102	209	EM4109T-5	170232.60	C02	LM14407	211
EM3554	116759.00			44	EM4110T	170019.60		LM13699	49
EM3554T	110893.00		LM25099	209	EM4110T-5	170120.60	C56	LM14396	211
EM3554T	120922.00		LM33123	44	EM4111T	170003.60		LM13696	48
EM3554T-5	121940.00		LM24142	209	EM4114T	170041.60		LM60052	49
EM3555	116760.00			45	EM4114T-5	170121.60	F14 C02	LM14411	211
EM3555T	121519.00		LM33124	45	EM4115T	170023.60		LM19753	49
EM3555T-5	121941.00		LM25103	209	EM4117T	170005.60		LM60048	48
EM3556	121520.00	F06	LM33121	44	EM4308T	170096.60		LM13918	49
EM3556T	121520.00		LM33121	44	EM4310T	170043.60		LM14808	49
EM3556T-5	121938.00			209	EM4312T	170097.60		LM19754	49
EM3558	116761.00	F05		45	EM4313T	170045.60		LM14810	50
EM3558T	120923.00		LM33125	45	EM4314T	170027.60		LM14809	49
EM3558T	121942.00		LM24108	209	EM4314T-5	170239.60	C02	LM18369	212



This information is furnished as a guide only. Always check specific motor to determine suitability for direct replacement

DC Motors

Gearmotors

Ac / DC Controls

Accessories / Kits

Mods / Factory Options

X-Ref / Index

Tech Information

Terms / Warnings

Other Products

Cross Reference

Baldor to Leeson and Lincoln

Competitor Catalog #	LEESON Catalog #	Exception Code(s) To LEESON	Lincoln Catalog #	LEESON Page #	Competitor Catalog #	LEESON Catalog #	Exception Code(s) To LEESON	Lincoln Catalog #	LEESON Page #
EM4316T	170031.60		LM14811	50	FDL3507M	110087.00		LM24791	171
EM4316T-5	170244.60	C02	LM18372	212	FDL3507M	M009087.00			182
EM4400T	170087.60		LM19762	50	FDL3510M	110088.00	F03	LM24792	171
EM4400T-5	170253.60	C02	LM18292	212	FDL3510TM	121569.00		LM24793	171
EM4402T-4	170160.60		LM13939	50	FDL3510TM	M009089.00			182
EM4403T	170098.60		LM13938	49	FDL3514M	110089.00	C39	LM24794	171
EM4404T	170099.60		LM60060	50	FDL3514TM	113938.00	C39	LM24795	171
EM4406T-4	170371.60		LM13707	51	FDL3514TM	M009089.00			182
EM4407TR-4	170352.60		LM16230	51	FDL3516TM	110090.00			171
EM4409T-4	170256.60		LM13702	50	FDL3610M	131542.00	F09	LM24801	171
EM4410T-4	170369.60		LM60065	50	FDL3610TM	131542.00		LM24801	171
EM4411T-4	170260.60		LM13705	50	FDL3611M	110090.00	B22		171
EM4412T-4	171580.60		LM60064	50	FDL3611TM	131541.00		LM24796	171
EM4413T-4	171578.60		LM13706	51	FDL3612TM	131543.00		LM24798	171
EM44156T-4	171315.60		LM16231	51	FDL3619TM	131542.00		LM24801	171
EM4416T-4	171579.60	C15	LM16229	51	FDL3712TM	140414.00		LM24805	173
EM44206T	171316.60		LM60072	51	FDL3731M	131543.00	B23	LM24798	171
EM7037T	121917.00			101	FDL3732M	140707.00	F12	LM24799	171
EM7053T	825092.00			103	FDL3733TM	140130.00			173
EM7054T	825093.00			103	FDL3733TM	140707.00		LM24799	171
EM7056T	825095.00			103	FDL3737TM	140706.00			171
EM7058T	825097.00			103	FM2513T	G150065.60	C04		
EM7059T	825094.00			103	FM2515T	G150006.60	C04		
EM7060T	825099.00			103	FM2531T	G150009.60	C04		
EM7062T	825101.00			103	FM2535T	G150013.60	C04		
EM7063T	825096.00			103	FM2539T	G150017.60	C04		
EM7064T	825103.00			103	FM2543T	G150021.60	C04		
EM7066T	825105.00			103	FM3211T	G131240.00			
EM7067T	825100.00			103	FM3218T	G131239.00			
EM7068T	825107.00			103	FM3311T	G140609.00			
EM7075T	121918.00			101	FM3313T	G150144.60	C04		
EM7081T	825102.00			103	FM3611T	G131237.00			
EM7083T	825098.00			103	FM3615T	G131236.00			
EM7090T	825109.00			103	FM3710T	G140604.00			
EM7142T	825085.00			103	FM3714T	G150140.60	C04		
EM7144T	825087.00			103	GC24302	M1125084.00	B36 C32 S08		330
EM7145T	825088.00			103	GC24306	M1125083.00	B36 C32 S08		330
EM7147T	825089.00			103	GC24310	M1125081.00	B36 C32 S08		330
EM7170T	825091.00			103	GC25010	M1145039.00	B36 C32 S08		330
EM7172T	825086.00			103	GC25015	M1145082.00	B36 C32 S08		330
EM7174T	825090.00			103	GC25020	M1145038.00	B36 C32 S08		330
EM74124T-4	825111.00			103	GCP24004	M1145029.00	C32 E02		323
EM74154T	825113.00			103	GCP24114	M1125127.00	E02		321
EM74204T	825115.00			103	GCP24122	M1125128.00	E02		321
EMM2333	193316.60			266	GCP24124	M1125129.00	E02		321
EMM2334	193319.60			266	GCP24134	M1125130.00	E02		321
EMM3559	192209.00			266	GCP25052	M1145032.00	C32 E02		323
EMM3611	193301.60			266	GCP25054	M1145033.00	C32 E02		323
EMM3613	193306.60			266	GCP25056	M1145034.00	C32 E02		323
EMM3615	193307.60			266	GCP25060	M1145035.00	C32 E02		323
EMM3709	193309.60			266	GCP3305	096007.00	C32 E02		327
EMM3710	193310.60			266	GLP3330	096049.00			327
EMM3711	193312.60			266	GLP3332	096050.00			327
EMM3714	193313.60			266	GLP3336	096051.00			327
EMM4103	193322.60			266	GMP3330	096013.00			327
EMM4104	193325.60			266	GMP3332	096014.00			327
EMM4110	193328.60			266	GMP3336	096015.00			327
EMM5700	192208.00			266	GMP3338	096016.00			327
EMM5700-5	192231.00			269	GP233003	M1115019.00	B36 S08		311
EMM5750	192205.00			266	GP233007	M1115020.00	B36 S08		311
EMM5750-5	192232.00			269	GP7402	M1135038.00	B36 S08 S11		311
EWDM3546T	121865.00	E02		135	GP7403	M1135069.00	B36 S08 S11		311
EWDM3554T	121869.00	E02		135	GP7405	M1135042.00	B36 S08 S11		311
EWDM3558T	121866.00			135	GP7407	M1135043.00	B36 S08 S11		311
EWDM3611T	132196.00			135	GP7425	M1135062.00	B36 S08 S11		311
EWDM3615T	132197.00			135	GP7427	M1135063.00	B36 S08 S11		311
EWDM3710T	140819.00			135	GPP12503	M1125004.00			301
EWDM3714T	140820.00			135	GPP12545	M1125072.00			303
FDL3501M	113256.00		LM24789	171	GPP12547	M1125070.00			303
FDL3501M	M002256.00			182	GPP231108	M1115001.00			301
FDL3504M	110086.00		LM24790	171	GPP231109	M1115002.00			301
FDL3504M	M009086.00			182	GPP232110	M1115000.00			301

This information is furnished as a guide only.
Always check specific motor to determine suitability for direct replacement



Competitor Catalog #	LEESON Catalog #	Exception Code(s) To LEESON	Lincoln Catalog #	LEESON Page #	Competitor Catalog #	LEESON Catalog #	Exception Code(s) To LEESON	Lincoln Catalog #	LEESON Page #
GPP233111	M1115028.00			303	IDNM3661T	811320.00		LM06119	77
GPP233112	M1115027.00			303	IDNM3665T	811322.00			77
GPP233120	M1125048.00			301	IDNM3770T	810157.00	E01	LM06131	77
GPP233121	M1125036.00			301	IM3540A	111304.00			179
GPP233140	M1115026.00	B36		303	IR3507M	114932.00			238
GPP7451	M1135116.00			307	IR3510M	114933.00	C25		238
GPP7452	M1135112.00			307	JL1303A	100207.00			113
GPP7453	M1135111.00			307	JL1303A	101527.00			
GPP7454	M1135114.00			307	JL1306A	100208.00			113
GPP7455	M1135110.00			307	JL1306A	101528.00			
GPP7456	M1135108.00			307	JL1307A	100723.00			113
GPP7457	M1135117.00			307	JL1309A	100723.00			113
GPP7458	M1135107.00			307	JL1309A	101529.00			
GPP7459	M1135106.00			307	JL1313A	110292.00			113
GPP7460	M1135109.00			307	JL1313A	113687.00			
GPP7461	M1135115.00			307	JL1317A	110293.00			113
GPP7470	M1135150.00			307	JL1323A	110286.00			113
GPP7471	M1135149.00			307	JL225A	100207.00	H01		113
GPP7472	M1135148.00			307	JL325A	100207.00			113
GPP7473	M1135147.00			307	JL3503A	113955.00			114
GPP7474	M1135146.00			307	JL3506A	113956.00			114
GPP7475	M1135145.00			307	JL3509A	113639.00			114
GPP7476	M1135143.00			307	JL3513A	113640.00			114
GPP7477	M1135141.00			307	JL3515A	113641.00			114
GPP7478	M1135140.00			307	JL425A	100208.00			113
GPP7479	M1135139.00			307	JL5003A	116188.00			100
GSL3509M	111330.00			178	JL5006A	116186.00			100
HM3108	100029.00	C25	LM24098	33	JL5009A	116185.00			100
HM3112	100030.00		LM24099	33	JL5030	116183.00			100
HM3116	115827.00			33	JL5031	116181.00			100
HM3154	115825.00			34	JL525A	100723.00			113
HM3154A	111309.00	F03		34	JL625A	110292.00			113
HM3157	115826.00			34	JL725A	110293.00			113
HM3161A	116595.00	P03		34	JL825A	110286.00			113
HM3218TA	G130565.00				JM225	102197.00			115
IDGM2500	M1145131.00	B36		335	JM3006	102197.00			115
IDGM2501	M1145130.00	B36		335	JM3107	102198.00			115
IDGM2503	M1145129.00	B36		335	JM3111	101637.00			115
IDGM2506	M1145128.00	B36		335	JM3115	101638.00			115
IDGM2508	M1145127.00	B36		335	JM3120	113891.00			115
IDGMP2500	096070.00			335	JM3155	113892.00			115
IDGMP2501	096069.00			335	JM3158	113893.00			115
IDGMP2503	096068.00			335	JM3460	114931.00			116
IDGMP2505	096067.00			335	JM3463	114208.00			116
IDM2333T	810066.00	E01	LM06135	78	JM3545	114207.00			116
IDM2334T	810007.00	E01		78	JM3550	114206.00			116
IDM3581T	810548.00	E01	LM26359	77	JM3555	114205.00			116
IDM3584T	810547.00	E01 F07	LM26233	77	JM3559	114204.00			116
IDM3587T	810546.00	E01	LM06113	77	JM625	113891.00			115
IDM3661T	811320.00	E01	LM06119	77	JM7013	116184.00	P01		101
IDM3665T	811322.00	E01		77	JM7018	116182.00	P01		101
IDM3770T	810157.00	E01	LM06131	77	JM7071	116180.00	P01		101
IDM3774T	810140.00	E01		77	JML1406T	131640.00			120
IDM4102T	810001.00			78	JML1408T	131604.00			120
IDM4103T	810011.00			78	JML1409T	131641.00			120
IDM4104T	810015.00			78	JML1508T	131605.00	F11		120
IDM4110T	810019.00			78	JML1509T	140642.00			120
IDM4115T	810023.00			78	JML1510T	140665.00			120
IDM4117T	810005.00			78	JML1511T	140644.00	C25		120
IDM4312T	810097.00			78	JML1512T	140666.00			120
IDM4314T	810027.00			78	JMM2333T	151568.60			
IDM4316T	810031.00			78	JMM2333T	G151568.60	C56		122
IDM4400T-4	810087.00			78	JMM2334T	151570.60			
IDM4404T	810099.00			78	JMM2334T	G151570.60	C56		122
IDM4406T-4	811371.00		LM03564	78	JMM2394T	151567.60			
IDM4407T-4	810503.00		LM3596	78	JMM2394T	G151567.60	C56		122
IDM4409T-4	811367.00			78	JMM2513T	151361.60	C02		
IDM4410T-4	811369.00		LM03516	78	JMM2513T	G151361.60			121
IDNM2333T	810066.00		LM06135	78	JMM2514T	151381.60	C02		
IDNM3581T	810548.00		LM26359	77	JMM2514T	G151381.60	C56		121
IDNM3584T	810547.00	F07	LM26233	77	JMM2515T	151362.60	C02		
IDNM3587T	810546.00		LM06113	77	JMM2515T	G151362.60	C56		121

DC Motors

Gearmotors

Ac / DC Controls

Accessories / Kits

Mods / Factory Options

X-Ref / Index

Tech Information

Terms / Warnings

Other Products



This information is furnished as a guide only. Always check specific motor to determine suitability for direct replacement

Competitor Catalog #	LEESON Catalog #	Exception Code(s) To LEESON	Lincoln Catalog #	LEESON Page #	Competitor Catalog #	LEESON Catalog #	Exception Code(s) To LEESON	Lincoln Catalog #	LEESON Page #
JPM3211T	131882.00				L1207	110001.00	F03	LM24540	7
JPM3211T	G131882.00	C56		119	L1208	100184.00		LM24465	7
JPM3212T	131884.00				L1208-50	113901.00	F03		224
JPM3212T	G131884.00	C56		119	L1209	100338.00			7
JPM3218T	131883.00				L1209-50	110395.00	F03		224
JPM3218T	G131883.00			119	L1209M	100004.00	F02	LM24553	7
JPM3219T	131885.00				L1300	114617.00	E02	LM24545	15
JPM3219T	G131885.00	C56		119	L1301	100006.00		LM24570	7
JPM3311T	140667.00				L1301M	100588.00		LM24550	7
JPM3311T	G140667.00	C56		119	L1302	110001.00		LM24540	7
JPM3312T	140655.00				L1303	100337.00	F02		7
JPM3312T	G140655.00	C56		119	L1304	100007.00	F02	LM24551	7
JPM3313T	140668.00				L1304-50	110395.00	F03		224
JPM3313T	G140668.00	C56		119	L1304A	100002.00	F02	LM24552	7
JPM3314T	140656.00				L1304M	100004.00	F02	LM24553	7
JPM3314T	G140656.00	C56		119	L1305	110002.00	F03	LM24542	7
JPM3554T	G151736.60	C56		123	L1306	100340.00		LM24674	7
JPM3558T	G151737.60			123	L1306-50	113902.00			224
JPM3610T	G151738.60			123	L1306A	100053.00	P02		7
JPM3611T	G151739.60			123	L1307	100008.00	F02	LM24502	7
JPM3613T	G151740.60			123	L1307-50	110396.00			224
JPM3615T	G151741.60			123	L1307A	100003.00	F02	LM24503	7
JPM3709T	G151742.60			123	L1307M	100005.00	F02		7
JPM3710T	G151743.60			123	L1308	110003.00	F02	LM24543	7
JPM3711T	G151744.60			123	L1309	110360.00		LM24525	8
JPM3713T	G151746.60			123	L1309-50	113903.00			224
JPM3714T	G151745.60			123	L1309A	110097.00	P02		8
JPM4103T	G151751.60			123	L1310	110004.00		LM24580	8
JPM4104T	G151753.60			123	L1310M	110167.00	F03	LM24582	8
JPM4106T	G151748.60			123	L1313	110361.00	F03	LM24524	8
JPM4107T	G151750.60			123	L1313	113631.00	F03		8
JPM4108T	G151752.60			123	L1313-50	113904.00			224
JPM4109T	G151754.60			123	L1313A	110110.00	F03 P02		8
JPM4110T	G151755.60			123	L1313T	120107.00		LM24676	8
JPM4114T	G151756.60			123	L1317	110363.00	F03	LM24624	8
JSL1303A	MST1052.00				L1317-50	113905.00			224
JSL1306A	MST1072.00				L1317A	110362.00	P02 F03		8
JSL1309A	MST1102.00				L1318	110004.00	F03	LM24580	8
JSL1313A	MST1152.00				L1318-50	110397.00			224
JSL1317A	MST1202.00				L1318M	110167.00	C39 F03	LM24582	8
JSL325A	MST1052.00				L1318T	120044.00		LM24675	8
JSL425A	MST1072.00				L1318TM	120003.00	C39		8
JSL525A	MST1102.00				L1319	110005.00		LM24583	8
JSL625A	MST1152.00				L1319-50	110398.00			224
JSL725A	MST1202.00				L1319M	110006.00		LM24585	8
K3403	102866.00	F02		24	L1319T	120004.00			8
K3405	102870.00	F02	LM24736	24	L1319T	120042.00		LM24687	8
KBL3406	114165.00			257	L1320T	120106.00		LM24806	8
KBL3409	111950.00			257	L1321T	120001.00	P01		8
KBM3458	114158.00			259	L1321TM	120004.00			8
KENM3534	102696.00	E01 F02		65	L1322T	120067.00		LM24677	8
KL1203	100023.00	K89	LM24569	21	L1322TM	120879.00		LM24685	8
KL1205	100354.00	K89	LM24688	21	L1401	120044.00	B22	LM24675	8
KL1205A	100355.00	K89		21	L1401M	120003.00	B22		8
KL3403	102866.00			24	L1403	120001.00	B22		8
KL3405	102870.00		LM24736	24	L1403M	120004.00	B22		8
KM3003	103014.00	F02		59	L1405	131515.00	F08	LM24678	8
KM3006	100375.00	F02	LM24909	59	L1405T	131515.00		LM24678	8
KM3454	101767.00	F02	LM24964	65	L1405T-50	131553.00			224
KM3454-50	102184.00			228	L1406T	131636.00		LM24679	9
KM3457	110446.00	E01		65	L1407	120043.00	B22 E02		16
KNM3454	101648.00	F02		65	L1408T	131534.00		LM24680	9
KNM3534	102863.00	F02		65	L1408T-50	131554.00			224
L1200	102012.00	E02		15	L1408TM	131561.00			9
L1201	102013.00	E02		15	L1408TM	131851.00			9
L1203	101423.00	P02	LM24458	7	L1409T	131616.00		LM24681	9
L1203M	101423.00		LM24458	7	L1410T	131537.00		LM24682	9
L1204	102015.00	E02		15	L1410TM	131622.00			9
L1205	100336.00	F02	LM24467	7	L1430T	131537.00		LM24682	9
L1206	100116.00	P01		7	L1430TM	131622.00			9
L1206-50	110394.00	F03		224	L1502	131515.00	B23	LM24678	8
L1206M	100588.00	F02	LM24550	7	L1505	131534.00	B23	LM24680	9

DC Motors

Gearmotors

Ac / DC Controls

Accessories / Kits

Mods / Factory Options

X-Ref / Index

Tech Information

Terms / Warnings

Other Products



This information is furnished as a guide only. Always check specific motor to determine suitability for direct replacement

Cross Reference

Baldor to Leeson and Lincoln

Competitor Catalog #	LEESON Catalog #	Exception Code(s) To LEESON	Lincoln Catalog #	LEESON Page #	Competitor Catalog #	LEESON Catalog #	Exception Code(s) To LEESON	Lincoln Catalog #	LEESON Page #
L1508T-50	131555.00			224	L3605T-50	131556.00			225
L1509T	140680.00			9	L3605TM	131509.00	P03	LM24713	17
L1510T	140155.00		LM24683	9	L3606	131637.00	F08	LM24715	17
L1511T	140681.00			9	L3606T	131637.00		LM24715	17
L1512T	140311.00		LM24684	9	L3607	120043.00	B22		16
L206	100006.00		LM24570	7	L3608T	131549.00		LM24717	17
L3351	170066.60		LM24208	47	L3608TM	132042.00	C39		17
L3353	170097.60		LM19754	49	L3609T	131533.00	C10	LM24716	17
L3355	092116.00			15	L3609T-50	131557.00			225
L3356	170097.60		LM19754	49	L3609TM	131855.00	C39		17
L3400	102012.00			15	L3612TM	131856.00	C39		17
L3401	102013.00			15	L3613T	131526.00			16
L3403	102014.00		LM24606	15	L3703	140747.00	C39 F12		17
L3403M	101446.00			15	L3705	131855.00	B23		17
L3404	102015.00			15	L3708	140203.00	F12 P02		173
L3405	102016.00		LM24705	15	L3708T	140203.00	F12 P02		173
L3406	100955.00			15	L3708T-50	140475.00	P02		225
L3406M	102018.00			15	L3708TM	140203.00	F12		173
L3407	102019.00			15	L3709T	140684.00		LM24719	17
L3408	102020.00			15	L3710T	140120.00		LM24720	17
L3409	100956.00			15	L3711T	140685.00		LM24721	17
L3500	114617.00		LM24545	15	L3712T	140581.00		LM24722	17
L3501	102931.00		LM24597	15	L5001A	111074.00	E01		100
L3501-50	110423.00	C25		225	L5004A	111084.00	F05		100
L3501M	102933.00		LM24602	15	L5007A	110934.00	F05		100
L3502	110009.00		LM24546	15	L5023A	110961.00	F05		100
L3503	102905.00		LM24706	15	M1504T	120942.00			198
L3503-50	113917.00			225	M1506T	131473.00			198
L3504	102906.00		LM24627	15	M1507T	131472.00	C11		198
L3504-50	110064.00			225	M1508T	140446.00			198
L3504A	102908.00		LM24603	15	M1554T	120944.00			197
L3504M	102909.00		LM24604	15	M1555T	120947.00	C11		197
L3505	110011.00		LM24496	15	M1556T	120946.00			197
L3506	110276.00		LM24707	16	M1557T	131468.00	C11		197
L3506-50	113918.00			225	M1558T	131469.00			197
L3507	110013.00		LM24607	16	M1559T	140443.00			197
L3507-50	110065.00			225	M1704T	120943.00			198
L3507A	110017.00		LM24608	16	M1706T	131471.00			198
L3507M	110022.00			16	M1707T	131470.00			198
L3508	110400.00		LM24497	16	M1708T	140445.00			198
L3508T	110400.00	F05	LM24497	16	M1754T	120945.00	C11 C25		197
L3509	110059.00	F03	LM24708	16	M1755T	120941.00	C11		197
L3509-50	113919.00			225	M1756T	120940.00			197
L3509M	110142.00	F03	LM24745	16	M1757T	131474.00	C11		197
L3510	110209.00	F03	LM24610	16	M1758T	131475.00			197
L3510-50	113911.00	F05		225	M1759T	140447.00	C11		197
L3510A	110018.00	F03	LM24611	16	M1760T	140448.00			197
L3510M	110023.00	F03	LM24612	16	M2237	G140578.00	B24		
L3510T	120025.00		LM24709	16	M2238	G150140.60	B24		
L3510TM	120008.00			16	M2275	G140126.00	B24		
L3513	110094.00	F03	LM24531	16	M2276T	G150122.60			
L3513-50	113920.00	C25 F05		225	M2280T	151355.22			
L3513M	110109.00	F03	LM24532	16	M2280T	G151355.22		LM32803	46
L3513T	120130.00		LM24710	16	M2332	G150123.60	B25		
L3514	110253.00		LM24513	16	M2332T	G150123.60			
L3514-50	110424.00	F05		225	M2333	G150066.60	B25		
L3514A	110019.00		LM24514	16	M2333T	G150066.60			
L3514M	113333.00		LM24515	16	M2334	G150007.60	B25		
L3514T	120026.00		LM24711	16	M2334T	G150007.60	C52		
L3514TM	120009.00		LM24746	16	M2334T-12	G150007.60			
L3515	110352.00		LM24534	17	M2393	G140686.00	B24		
L3515-50	113928.00	F05		225	M2394	G151317.60	B24		
L3515M	110402.00		LM24534	17	M2394T	G150062.60			
L3515T	120036.00		LM24712	17	M2395T	150261.22			
L3516T	121507.00			17	M2395T	G150261.22			47
L3516TM	110090.00			171	M2401T	151356.22			
L3516TM	120867.00	C25 F06		17	M2401T	G151356.22		LM32807	46
L3601	120025.00	B22	LM24709	16	M2402T	150282.22			
L3603	120026.00	B22	LM24711	16	M2402T	G150282.22			47
L3605	131509.00	F08	LM24713	17	M2504T	151355.22	C02 E02		
L3605M	131509.00	F08 P03	LM24713	17	M2505	G140471.00	B24		
L3605T	131509.00		LM24713	17	M2506T	G150145.60	C02		

This information is furnished as a guide only.
Always check specific motor to determine suitability for direct replacement



Competitor Catalog #	LEESON Catalog #	Exception Code(s) To LEESON	Lincoln Catalog #	LEESON Page #	Competitor Catalog #	LEESON Catalog #	Exception Code(s) To LEESON	Lincoln Catalog #	LEESON Page #
M2508T	151356.22	C02 E02			M3116	110029.00		LM24111	33
M2510	G140490.00	B24			M3116A	111311.00	B32		40
M2511T	G150146.60	C02			M3116T	G120010.00			
M2513T	G140579.00				M3120	110429.00		LM24874	34
M2514T	G150032.60	C02			M3120T	G120103.00			
M2515T	G150006.60	C02 C52			M3153	110028.00		LM24162	33
M2515T-12	G150006.60	C02			M3154	110430.00		LM24117	34
M2516T	G150034.60	C02			M3154	111309.00			34
M2523	G140579.00	B25			M3154	115825.00			34
M2524T	G150067.60	C02			M3154A	111309.00			34
M2527	G150006.60	B25			M3154T	G120011.00			
M2528T	G150000.60	C02			M3155	113292.00		LM24877	34
M2531	G150009.60	B26			M3155T	G120076.00			
M2531T	G150009.60	C02			M3156	113933.00	E02	LM24159	44
M2531T-12	G150009.60	C02			M3156T	G120089.00			
M2532T	G150002.60	C02			M3157	111310.00			34
M2534T	G150036.60	C02			M3157	113025.00		LM24106	34
M2535	G150013.60	B26			M3157	115826.00			34
M2535T	G150013.60	C02 C52			M3157T	G120012.00			
M2535T-12	G150013.60	C02			M3157TA	111310.00	F03		34
M2536T	G150004.60	C02			M3158	113293.00		LM24878	34
M2538T	G150038.60	C02			M3158T	G120077.00			
M2539T	G150017.60	C02 C52			M3159	114930.00	E02		44
M2539T-12	G150017.60	C02			M3161T	116595.00	F05		34
M2540T	G150147.60	C02			M3161TA	116595.00	P03		34
M2542T	G150040.60	C02			M3203	G120010.00	B22		
M2543T	G150021.60	C02 C52			M3206	G120011.00	B22		
M2543T-12	G150021.60	C02			M3207T	G130010.00			
M2544T	G150148.60	C02			M3208	G120076.00	B22		
M2546T	G150042.60	C02			M3209	G120012.00	B22		
M2547T	G150025.60	C02 C52			M3210	G120077.00	B22		
M2547T-12	G150025.60	C02			M3211T	G130000.00			
M2548T	G150149.60	C02			M3211T/36	G130000.00			
M2549T	G150044.60	C02			M3211TA	G131338.00			
M2550T	G150151.60	C02			M3212T	G130282.00			
M2551T	G150029.60	C02 C52			M3215T	G130012.00			
M2551T-12	G150029.60	C02			M3216T	131478.00	E02		
M2552T	G150150.60	C02			M3218T	G130004.00			
M2554T-4	G150154.60	C02 C47			M3218T-8	131500.00			
M2555T	G150152.60	C02 C52			M3218TA	G130565.00			
M2555T-12	G150152.60	C02			M3219T	G130284.00			
M2556T-4	G151449.60	C02			M3220T	131479.00	E02		
M2557T-4	170259.60	C15	LM13816	37	M3303T	140516.00	E02		
M2558T-4	G151522.60	F19			M3304	G131338.00	B23		
M2559T-4	G150155.60	C02 C47			M3305T	G140550.00			
M2560T-4	171576.60	C15	LM13818	37	M3306T	140516.00	E02		
M2562T-4	171573.60	C15	LM13819	37	M3306T	G151809.22		LM32688	45
M2563T-4	G151523.60				M3307	G130282.00	B23		
M2564T-4	171577.60	C15	LM16239	37	M3308	G130565.00	B23		
M2566T-4	151524.60				M3309T	G140122.00			
M2566T-4	G151524.60		LM13823	38	M3310	G130284.00	B23		
M2569T-4	151525.60				M3311T	G140471.00			
M2569T-4	G151525.60			38	M3311T-8	131547.00			
M2572T-4	151518.60	F19			M3312T	G140682.00			
M2583T	170255.60	C15	LM13815	37	M3313T	G140490.00			
M3003	100027.00	F02	LM24866	33	M3313T-8	140004.00			
M3006	101447.00		LM24867	33	M3314T	G140683.00			
M3007	100446.00			33	M3454	101646.00		LM24929	43
M3009	110425.00	H03	LM24868	33	M3457	102684.00			43
M3010	100961.00	E02	LM24932	43	M3457	102864.00		LM24736	24
M3012	100960.00	E02		43	M3458	101647.00		LM24930	43
M3101	110425.00	H03	LM24868	33	M3460	100905.00			43
M3104	100028.00		LM24152	33	M3461	100961.00		LM24932	43
M3105	110425.00		LM24868	33	M3463	100960.00			43
M3107	101448.00		LM24869	33	M3531	110441.00	H03	LM24931	43
M3108	100029.00		LM24098	33	M3532	114618.00	H01	LM24291	43
M3108A	100796.00	B32		40	M3534	101079.00		LM24107	43
M3109	110027.00		LM24146	33	M3535	110441.00		LM24931	43
M3111	101449.00		LM24870	33	M3536	114618.00	H01	LM24291	43
M3112	100030.00		LM24099	33	M3537	101448.00	E03	LM24869	33
M3112A	100908.00	B32		40	M3537-5	110714.00	E01	LM25094	209
M3115	110426.00		LM24155	33	M3538	100913.00		LM24073	43

DC Motors

Gearmotors

Ac / DC Controls

Accessories / Kits

Mods / Factory Options

X-Ref / Index

Tech Information

Terms / Warnings

Other Products



This information is furnished as a guide only. Always check specific motor to determine suitability for direct replacement

Cross Reference

Baldor to Leeson and Lincoln

Competitor Catalog #	LEESON Catalog #	Exception Code(s) To LEESON	Lincoln Catalog #	LEESON Page #	Competitor Catalog #	LEESON Catalog #	Exception Code(s) To LEESON	Lincoln Catalog #	LEESON Page #
M3538-5	101051.00	E01 F02		209	M3611T-8	131465.00			
M3538-5	110199.00	E01	LM24154	209	M3613T	G130101.00			
M3538-50	102693.00			227	M3613T-50	131481.00			227
M3539	110353.00		LM24105	43	M3614T	G130016.00			
M3541	110313.00		LM24133	43	M3615T	G130027.00			
M3541-5	110354.00		LM24110	209	M3615T-50	131454.00			227
M3541-50	114306.00			227	M3615T-8	131466.00			
M3542	110034.00		LM24075	43	M3616T	G131082.00			
M3542-5	110178.00		LM25095	209	M3617T	131478.00			
M3542-50	114307.00	C39		227	M3617T	G131478.00		LM32662	44
M3543	110275.00	F03	LM24136	43	M3618T	131479.00			
M3543	121009.00		LM24103	43	M3660T	G151563.60			
M3543-5	111394.00			209	M3661T	G151320.60			
M3543T	121009.00		LM24103	43	M3663T	G150299.60			
M3543T-5	111394.00	F03		209	M3664T	G130016.00	C01		
M3545	110145.00		LM24094	44	M3665T	G151322.60			
M3545-5	110715.00		LM25096	209	M3667T	G130015.00	C01		
M3545-50	114308.00			227	M3701	131479.00	B23		
M3546	110035.00		LM24078	44	M3702T	140516.00			
M3546-5	110206.00		LM25097	209	M3702T	G140516.00		LM32799	45
M3546T	G120014.00				M3703	G130008.00	B23		
M3546T-50	121096.00			227	M3705T	140518.00			
M3546T-8	120047.00				M3706	G130101.00	F09		
M3550	110745.00		LM24144	44	M3707	G130027.00	F09		
M3550T	G120086.00				M3708T	G140126.00			
M3550T-5	120170.00	C08			M3709	G130103.00	F12		
M3550T-50	121097.00			227	M3709T	G130103.00			
M3554	110444.00		LM24118	44	M3710T	G140578.00			
M3554T	G120015.00	C25			M3710T-5	140593.00			
M3554T-5	120021.00	C08			M3710T-8	131467.00			
M3554T-50	121093.00			227	M3711T	G140686.00			
M3554T-8	120032.00				M3712	G130016.00	B23		
M3555	111916.00	F03	LM24347	45	M3713T	G140687.00			
M3555T	G120088.00				M3714T	G140489.00			
M3555T-50	121094.00			227	M3714T-8	140013.00			
M3556	113933.00	F03	LM24159	44	M3768T	G140126.00	C01		
M3556T	G120087.00				M3769T	G150158.60			
M3556T-5	120167.00	C08			M3770T	G150157.60			
M3557	114930.00			44	M3771T	G150159.60			
M3558	113026.00		LM24097	45	M3774T	G150140.60			
M3558T	G120016.00				M4100T	G150068.60			
M3558T-50	121095.00			227	M4102T	G150001.60			
M3558T-8	120034.00				M4103	G150011.60	B26		
M3559	114614.00	C11		45	M4103T	G150011.60	C52		
M3559T	G120185.00				M4103T-12	G150011.60			
M3560	114618.00	F03	LM24291	43	M4104	G150015.60	B26		
M3581T	G120014.00	C01 C25			M4104T	G150015.60	C52		
M3582T	G120087.00	C01 C25			M4104T-12	G150015.60			
M3583T	G120086.00	C01 C25			M4106	G150033.60	B25		
M3584T	G120015.00	C01 C25			M4106T	G150033.60			
M3586T	G120088.00	C01 C25			M4107	G150035.60	B26		
M3587T	G120016.00	C01 C25			M4107T	G150035.60			
M3600	114618.00	B22	LM24291	43	M4108T	G150037.60			
M3601	121009.00	B22	LM24103	43	M4109T	G150039.60			
M3602	121199.00	C25 F22	LM24276	43	M4110T	G150019.60	C52		
M3603	G120014.00	B22			M4110T-12	G150019.60			
M3604	G120087.00	B22			M4111T	G150003.60			
M3605	G120086.00	B22			M4112T	150263.22			
M3606	G120015.00	B22			M4112T	G150263.22			47
M3607	116591.00	B22		44	M4114T	G150041.60			
M3607T	G130015.00				M4115T	G150023.60	C52		
M3607T	G131479.00		LM32798	44	M4115T-12	G150023.60			
M3607T-5	131548.00	C08			M4116T	150265.22			
M3608	G120088.00	B22			M4117T	G150005.60			
M3609	G120016.00	B22			M4118T	G151318.60			
M3610	G130099.00	F08			M4307	G150019.60	B27		
M3610T	G130099.00				M4308T	G150096.60			
M3610T-50	131480.00			227	M4310T	G150043.60			
M3611	G130008.00	F08			M4311	G150023.60	B27		
M3611T	G130008.00				M4312T	G150097.60			
M3611T/36	G130008.00				M4313T	G150045.60			
M3611T-50	131459.00			227	M4314T	G150027.60	C52		

This information is furnished as a guide only.
Always check specific motor to determine suitability for direct replacement



Cross Reference

Baldor to Leeson and Lincoln

Competitor Catalog #	LEESON Catalog #	Exception Code(s) To LEESON	Lincoln Catalog #	LEESON Page #	Competitor Catalog #	LEESON Catalog #	Exception Code(s) To LEESON	Lincoln Catalog #	LEESON Page #
M4314T-12	G150027.60				M74254T-4	825020.99	F25		
M4316T	G150031.60	C52			MM2333	193131.60			
M4316T-12	G150031.60				MM2334	193141.60			
M4400T	G150087.60	C52			MM3454	192010.00	C39		266
M4400T-12	G150087.60				MM3457	192020.00	C39		266
M4402T-4	G150160.60				MM3458	192021.00	C39		266
M4403T	G150098.60				MM3460	192030.00	C39		266
M4404T	G150099.60				MM3461	192031.00	C39		266
M4406T-4	G151371.60				MM3463	192040.00	C39		266
M4407T-4	G150352.60				MM3542	192041.00	C39		266
M4408T-4	151516.60	F25			MM3545	192050.00	C39		266
M4409T	G151367.60				MM3546	192051.00	C39		266
M4410T-4	G151369.60				MM3550	192060.00	C39		266
M4411T-4	G151370.60				MM3554	192061.00			
M4412T-4	G151368.60				MM3555	192070.00			
M44156T-4	171315.60	C15	LM16231	51	MM3558	192071.00			
M44206T-4	171316.60	C15	LM60072	51	MM3559	192080.00			
M44304T-4	151529.60				MM3611	193081.60	C02		
M44304T-4	G151529.60		LM17953	52	MM3613	193100.60	C02		
M44354T	G151530.60		LM13720	52	MM3615	193101.60	C02		
M44354T-4	151530.60				MM3709	193110.60	C02		
M7002A	111932.00	E01		101	MM3710	193111.60	C02		
M7003A	111940.00	E01	F05	101	MM3711	193120.60	C02		
M7005A	111934.00	E01		101	MM3714	193121.60	C02		
M7006A	111929.00	E01		101	MM4103	193151.60			
M7007A	111938.00	F05		101	MM4104	193161.60			
M7009A	111937.00			101	MM4110	193171.60			
M7010A	111923.00			101	MM5100	192010.00			266
M7013	111942.00			101	MM5100-5	192088.00			269
M7014	111922.00	F05		101	MM5150	192011.00			266
M7014T	111922.00	F05		101	MM5150-5	192089.00			269
M7018T	121914.00			101	MM5200	192020.00			266
M7018T	G120489.00				MM5200-5	192097.00			269
M7019	G120490.00	B22			MM5250	192021.00			266
M7023	G120391.00	B22			MM5250-5	192098.00			269
M7026	G120387.00	B22			MM5300	192030.00			266
M7027	G158362.00	B23			MM5300-5	192106.00			269
M7030	G158366.00	B23			MM5350	192031.00			266
M7034T	121915.00			101	MM5350-5	192107.00			269
M7034T	G120490.00				MM5400	192040.00			266
M7037T	G120391.00				MM5400-5	192115.00			269
M7044T	G158366.00	C02			MM5450	192041.00			266
M7045T	G158158.00	C02			MM5450-5	192116.00			269
M7047T	G158157.00	C02			MM5500	192050.00			266
M7053T	G158000.00				MM5500-5	192124.00			269
M7054T	G158001.00				MM5550	192051.00			266
M7056T	G158010.00				MM5550-5	192125.00			269
M7058T	G825047.00				MM5600	192060.00			266
M7059T	G825039.00				MM5600-5	192133.00			269
M7060T	G825041.00				MM5650	192061.00			266
M7062T	G825043.00				MM5650	192202.00			266
M7063T	G825046.00				MM5650-5	192134.00			269
M7064T	G825045.00				MM5650-5	192230.00			269
M7066T	G825002.00				MM5650D	192203.00			267
M7067T	G825042.00				MM5700	192070.00			
M7068T	G825005.00				MM5700-5	192142.00			
M7071T	121916.00			101	MM5750	192071.00			
M7071T	G120491.00				MM5750-5	192143.00			
M7072T	G158319.00	C02			MVM2613D	193336.60			267
M7074T	G158159.00	C02			MVM3457D	192024.00			267
M7075T	G120387.00				MVM3458C	192028.00			268
M7081T	G825044.00				MVM3458D	192025.00			267
M7083T	G825040.00				MVM3460C	192037.00			268
M7090T	G825008.00				MVM3460D	192034.00			267
M7142T	G158362.00				MVM3461C	192038.00			268
M7144T	G158366.00				MVM3461D	192035.00			267
M7147T	G158157.00				MVM3463C	192047.00			268
M7170T	G158140.00				MVM3463D	192044.00			267
M7174T	G158159.00				MVM3542C	192048.00			268
M74124T-4	G825011.00				MVM3542D	192045.00			267
M74154T-4	G825014.00				MVM3545C	192057.00			268
M74204T-4	G825017.00	F19			MVM3545D	192054.00			267



This information is furnished as a guide only. Always check specific motor to determine suitability for direct replacement

- DC Motors
- Gearmotors
- Ac / DC Controls
- Accessories / Kits
- Mods / Factory Options
- X-Ref / Index
- Tech Information
- Terms / Warnings
- Other Products

Cross Reference

Baldor to Leeson and Lincoln

Competitor Catalog #	LEESON Catalog #	Exception Code(s) To LEESON	Lincoln Catalog #	LEESON Page #	Competitor Catalog #	LEESON Catalog #	Exception Code(s) To LEESON	Lincoln Catalog #	LEESON Page #
MVM3546C	192058.00			268	MVM5650C	192068.00			
MVM3546D	192055.00			267	MVM5650C	192204.00			268
MVM3550C	192067.00			268	MVM5650C-5	192134.00	K13		
MVM3550D	192064.00			267	MVM5650D	192065.00			
MVM3554C	192068.00				MVM5650D-5	192134.00	K04		
MVM3554D	192065.00				MVM5700C	192077.00			
MVM3555C	192077.00				MVM5700C	192213.00			268
MVM3555D	192074.00				MVM5700C-5	192142.00	K13		
MVM3558C	192078.00				MVM5700D	192074.00			
MVM3558D	192075.00				MVM5700D	192210.00			267
MVM3559C	192087.00				MVM5700D-5	192142.00	K04		
MVM3559C	192214.00			268	MVM570C	192207.00			268
MVM3559D	192084.00				MVM5750C	192078.00			
MVM3611C	192211.00			267	MVM5750C-5	192143.00	K13		
MVM3611C	193088.60				MVM5750D	192075.00			
MVM3611C	193359.60			268	MVM5750D	192206.00			267
MVM3611D	193334.60			267	MVM5750D-5	192143.00	K04		
MVM3613C	193107.60				NM3454	100123.00	C25		55
MVM3613D	193104.60	C02			NM3534	102920.00	C25		55
MVM3615D	193105.60	C02			NM3538	102918.00	C25		55
MVM3615D	193337.60			267	NM3542	114309.00			55
MVM3709D	193342.60			267	NM3546T	121098.00			55
MVM3710D	193115.60	C02			NM3554T	121099.00	E02		55
MVM3710D	193343.60			267	PCL1313M	114214.00			23
MVM3711D	193124.60	C02			PCL1317M	114215.00			23
MVM3711D	193345.60			267	PCL1319M	113700.00	F29		23
MVM3714D	193125.60	C02			PCL1322M	113281.00	F29		23
MVM5100C	192017.00			268	PCL1326M	116707.00	F29		23
MVM5100C-5	192088.00	K10		269	PCL1327M	116709.00	F29		23
MVM5100D	192014.00			267	PCL3513M	115024.00			26
MVM5100D-5	192088.00	K01		269	PCL3514M	116703.00	F29		26
MVM5150C	192018.00			268	PCL3515M	114995.00	F29		27
MVM5150C-5	192089.00	K10		269	PCL3519M	115048.00	C11 F29		27
MVM5150D	192015.00			267	PL1313M	113631.00			8
MVM5150D-5	192089.00	K01		269	PL1317M	113632.00			8
MVM5200C	192027.00			268	PL1319M	113266.00			8
MVM5200C-5	192097.00	K10		269	PL1322M	116704.00	F05		8
MVM5200D	192024.00			267	PL1326M	116706.00	F05		9
MVM5200D-5	192097.00	K01		269	PL1327M	116708.00			9
MVM5250C	192028.00			268	PL3513M	110109.00		LM24532	16
MVM5250C-5	192098.00	K11		269	PL3514M	113333.00	F05	LM24515	16
MVM5250D	192025.00			267	PL3515M	110402.00	F05	LM24534	17
MVM5250D-5	192098.00	K02		269	PL3519M	116705.00	F05	LM24748	17
MVM5300C	192037.00			268	PSC3413A	100699.00			174
MVM5300C-5	192106.00	K11		269	PSC3416A	100700.00			174
MVM5300D	192034.00			267	PSC3524A	100701.00			174
MVM5300D-5	192106.00	K02		269	RHM3104	100210.00			40
MVM5350C	192038.00			268	RHM3108	100145.00			40
MVM5350C-5	192107.00	K11		269	RHM3108A	100796.00			40
MVM5350D	192035.00			267	RHM3111	101773.00			40
MVM5350D-5	192107.00	K02		269	RHM3111A	101641.00			40
MVM5400C	192047.00			268	RHM3112	100146.00	F05		40
MVM5400C-5	192115.00	K11		269	RHM3112A	100908.00			40
MVM5400D	192044.00			267	RHM3115	114192.00			40
MVM5400D-5	192115.00	K02		269	RHM3115A	113895.00	F03		40
MVM5450C	192048.00			268	RHM3116	110052.00			40
MVM5450C-5	192116.00	K12		269	RHM3116A	111311.00			40
MVM5450D	192045.00			267	RHM3120A	113896.00			40
MVM5450D-5	192116.00	K03		269	RHM3154	110433.00			40
MVM5500C	192057.00			268	RHM3154A	113846.00			40
MVM5500C-5	192124.00	K12		269	RHM3155A	113897.00			40
MVM5500D	192054.00			267	RHM3157	114197.00			40
MVM5500D-5	192124.00	K03		269	RHM3157A	113847.00			40
MVM5550C	192058.00			268	RHM3158	113926.00			40
MVM5550C-5	192125.00	K12		269	RHM3158TA	113926.00			40
MVM5550D	192055.00			267	RHM3161TA	116593.00			40
MVM5550D-5	192125.00	K03		269	RHM3162TA	121665.00			
MVM5600C	192067.00			268	RL1205A	101431.00	C11		13
MVM5600C-5	192133.00	K12		269	RL1208A	101432.00	C11		13
MVM5600D	192064.00			267	RL130	100012.00	F05		13
MVM5600D-5	192133.00	K03		269	RL1301A	100110.00			13

This information is furnished as a guide only.
Always check specific motor to determine suitability for direct replacement



Competitor Catalog #	LEESON Catalog #	Exception Code(s) To LEESON	Lincoln Catalog #	LEESON Page #	Competitor Catalog #	LEESON Catalog #	Exception Code(s) To LEESON	Lincoln Catalog #	LEESON Page #
RL1301A277	102964.00			13	VBM3112	114157.00			257
RL1304A	100011.00			13	VBM3116	114166.00			257
RL1304A277	102965.00			13	VBM3116T	121678.00			257
RL1306A	100603.00	F05		13	VBM3154	116766.00			257
RL1307A277	102966.00			13	VBM3154T	120372.00			257
RL1309A	110478.00			13	VBM3157T	120373.00			257
RL1310A	100065.00			13	VBM3211T	131624.00			257
RL1310A277	116599.00			13	VBM3218T	131625.00			257
RL1313A	110479.00			13	VBM3248T	131625.00			257
RL1317A	113633.00			13	VBM3538	114159.00	E02		259
RL1319A	110579.00			13	VBM3542	114160.00	E02		259
RL1319A277	116600.00			13	VBM3542-5	110177.00	K91		213
RL132	100065.00	F05		13	VBM3546	114161.00			259
RL1323A	100064.00			13	VBM3546T	121556.00			259
RL144A	100109.00			13	VBM3546T-5	120176.00	K91		
RL224A	101431.00	C11		13	VBM3554	116768.00			259
RL245A	100010.00	C25		13	VBM3554T	120331.00			259
RL324A	101432.00	C11		13	VBM3558T	120332.00			259
RL345A	100011.00			13	VBM3611T	131610.00			259
RL425A	100603.00			13	VBM3615T	131611.00			259
RL445A	100012.00	F05		13	VBM3710T	131612.00			259
RL525A	110478.00	F05		13	VBM3714T	140637.00			259
RL545A	110007.00	F05		13	VEM3542	114213.00			65
RL625A	110479.00	F05		13	VEM3545	116748.00			66
RL645A	110579.00	F05		13	VEM3546	114638.00			66
RL725A	113633.00	F05		13	VEM3546T	121556.00	C49		259
RM3003	100210.00	F03	H03	40	VEM3550	116750.00			66
RM3006	101639.00	F03	P01	40	VEM3554	116743.00			66
RM3007	100210.00	F03		40	VEM3554T	121066.00			66
RM3009	101640.00	F03	P01	40	VEM3555	116744.00			66
RM3010	100145.00	F03		40	VEM3555	116751.00			66
RM3104	100210.00			40	VEM3556	116749.00			66
RM3108	100145.00			40	VEM3558	116744.00			66
RM3108A	100796.00			40	VEM3558T	121065.00			66
RM3111	101773.00			40	VEM3581	114638.00	C01		66
RM3111A	101641.00			40	VEM3581	120024.00	C01		
RM3112	100146.00			40	VEM3581T	121067.00	C01		66
RM3112A	100908.00			40	VEM3584T	121066.00	C01		66
RM3115	114192.00			40	VEM3587T	121065.00	C01		66
RM3115A	113895.00			40	VEM3610T	G131513.00			67
RM3116	110052.00			40	VEM3615T	131501.00		LM16825	67
RM3116A	111311.00			40	VEM3661T	131503.00	C01	LM16824	67
RM3120	114194.00			40	VEM3665T	131501.00	C01	LM16825	67
RM3120A	113896.00			40	VEM3710T	140486.00		LM16826	67
RM3154	110433.00			40	VEM3714T	140484.00			67
RM3154A	113846.00			40	VEM3770T	140486.00	C01	LM16826	67
RM3155	114196.00			40	VEM3774T	140484.00	C01		67
RM3155A	113897.00			40	VFDL35010M	M009494.00			182
RM3157	114197.00			40	VFDL3501M	113290.00			173
RM3157A	113847.00			40	VFDL3501M	M002290.00			182
RM3158	113926.00	P01		40	VFDL3504M	110492.00			173
RM3158TA	113926.00			40	VFDL3504M	M009492.00			182
RM3161TA	116593.00			40	VFDL3507M	110493.00			173
RSP1441A	191868.00			194	VFDL3507M	M009493.00			182
RSP1442A	191868.00			194	VFDL3510M	110494.00			173
RSP2441A	191869.00			194	VFDL3514M	110495.00	C39		173
RSP2442A	191869.00			194	VFDL3516TM	120855.00			173
RSP3441A	191870.00			194	VFDL3610TM	131603.00	C39		173
RSP3442A	191870.00			194	VFDL3612TM	131602.00	C39		173
UCL1015	140640.00		LM24782	177	VL1301	100024.00	K89	LM24571	21
UCL570	131847.00			177	VL1303	100356.00	K89	LM24689	21
UCL710	131848.00		LM24780	177	VL1303A	100054.00	K89		21
UCM1014	140641.00		LM24785	177	VL1303A	100204.00			113
UCM575	131849.00		LM24783	177	VL1303A	101524.00			
UCM713	131850.00		LM24784	177	VL1304	100025.00	K89	LM24555	21
UCME1014	140641.00		LM24785	177	VL1305	110381.00	K82	LM24544	21
UCME570	131849.00		LM24783	177	VL1306	100357.00	K89	LM24690	21
V2I325A	MK1052.00				VL1306A	100055.00	K89		21
V2L425A	MK1072.00				VL1306A	100205.00			113
V2L525A	MK1102.00				VL1306A	101525.00			
VBM3108	114156.00			257	VL1307	100026.00	K89		21

DC Motors

Gearmotors

Ac / DC Controls

Accessories / Kits

Mods / Factory Options

X-Ref / Index

Tech Information

Terms / Warnings

Other Products



This information is furnished as a guide only. Always check specific motor to determine suitability for direct replacement

Cross Reference

Baldor to Leeson and Lincoln

Competitor Catalog #	LEESON Catalog #	Exception Code(s) To LEESON	Lincoln Catalog #	LEESON Page #	Competitor Catalog #	LEESON Catalog #	Exception Code(s) To LEESON	Lincoln Catalog #	LEESON Page #
VL1307A	101523.00	K89		21	VM2334T	151352.60			
VL1308	110382.00	K82	LM24691	21	VM2334T	G151352.60		LM16829	68
VL1309	110384.00	K82	LM24526	21	VM2394T	G151349.60			68
VL1309A	100722.00			113	VM2513T	151682.60	C02		
VL1309A	101526.00				VM2513T	G151682.60			60
VL1309A	113337.00	K82		21	VM2514T	151683.60	C02		
VL1310	110220.00	K82	LM24586	21	VM2514T	G151683.60			60
VL1313	110387.00	K82	LM24523	22	VM2515T	151684.60	C02		
VL1313A	110288.00			113	VM2515T	G151684.60			60
VL1313A	113336.00	K82		22	VM2516T	151685.60	C02		
VL1313A	113686.00				VM2516T	G151685.60			60
VL1317	110390.00	K82	LM24527	22	VM2531T	151686.60	C02		
VL1317A	110289.00			113	VM2531T	G151686.60			60
VL1317A	113335.00	K82		22	VM2534T	151687.60	C02		
VL1318	110220.00	K82	LM24586	21	VM2534T	G151687.60			60
VL1318A	110036.00	P02 K82		21	VM3104	100048.00	F02	LM24910	59
VL1319	110388.00	K82	LM24587	22	VM3107	100056.00	F02	LM24911	59
VL1322T	120073.00	K82	LM24694	22	VM3108	100049.00		LM24912	59
VL1323A	110280.00			113	VM3109	110434.00		LM24913	59
VL1323A	113334.00	K82		22	VM3111	100378.00	F02	LM24914	59
VL1408T	131539.00	K84	LM24696	22	VM3112	100050.00	F02	LM24915	59
VL1408T	131544.00	K84	LM24695	22	VM3115	110111.00		LM24916	59
VL225A	100204.00	H01		113	VM3116	110043.00	C25	LM24917	59
VL325A	100204.00			113	VM3116T	120172.00	C25		
VL3501	101766.00	F02		24	VM3116T	G120172.00		LM32790	59
VL3501-50	113921.00	C25		226	VM3120	110437.00		LM24919	59
VL3503	102864.00		LM24736	24	VM3120T	121668.00			
VL3503-50	113912.00			226	VM3153	116728.00			59
VL3504	102862.00	E02	LM24599	24	VM3153T	120063.00			59
VL3504-50	113922.00			226	VM3154	110044.00		LM24160	59
VL3505	110411.00		LM24737	24	VM3154T	120081.00			
VL3506	110413.00		LM24738	24	VM3154T	G120081.00		LM32791	59
VL3506-50	113913.00			226	VM3155	113894.00		LM24921	60
VL3506A	110412.00	P02	LM24745	24	VM3155T	121670.00			
VL3507	110057.00		LM24613	24	VM3155T	G121670.00			60
VL3507-50	113923.00			226	VM3156T	120082.00			
VL3508	110414.00		LM24739	24	VM3156T	G120082.00			59
VL3509	110416.00		LM24740	25	VM3157	115553.00		LM24131	60
VL3509-50	113914.00			226	VM3157T	120035.00			
VL3509A	110415.00	P02		25	VM3157T	G120035.00		LM32792	
VL3510	110058.00		LM24614	25	VM3158	114420.00		LM24923	60
VL3510-50	113924.00			226	VM3158T	121187.00			
VL3510T	121001.00		LM24741	25	VM3158T	G121187.00		LM32793	60
VL3513	110419.00		LM24535	25	VM3159T	121669.00			
VL3513-50	113915.00	C25		226	VM3159T	G121669.00			
VL3513T	120101.00			25	VM3161T	121405.00			
VL3514	110420.00		LM24622	25	VM3161T	G131489.00		LM32794	60
VL3514-50	113925.00			226	VM3211	121405.00	F07		
VL3514T	120017.00			25	VM3211T	131489.00			
VL3515	110422.00		LM24530	25	VM3211T	131518.00			60
VL3515-50	120990.00	F07		226	VM3212T	131779.00			
VL3515T	120102.00			25	VM3212T	G131779.00			60
VL3605	120060.00	F07		25	VM3215T	132059.00			
VL3605T	131516.00			25	VM3215T	G132059.00			
VL3606T	132083.00	B31		23	VM3218	131779.00	F10		
VL3609T	131545.00			25	VM3218T	131490.00			
VL4005A	111095.00			100	VM3218T	G131490.00		LM24234	60
VL425A	100205.00			113	VM3219T	131780.00			
VL5001A	111075.00	E01		100	VM3219T	G131780.00			60
VL5003A	111098.00			100	VM3305T	140765.00			
VL5004A	111085.00			100	VM3305T	G140765.00			60
VL5006A	111097.00			100	VM3311T	131527.00			
VL5007A	111086.00			100	VM3311T	G140580.00		LM32800	60
VL5009A	111096.00			100	VM3312T	140688.00			
VL5023A	110852.00			100	VM3313T	140108.00			
VL5030	114424.00			100	VM3314T	140689.00			
VL525A	100722.00			113	VM3314T	G140689.00			60
VL625A	110288.00			113	VM331T	G140108.00		LM32801	60
VL725A	110289.00			113	VM3534	101769.00	F02	LM24093	65
VL825A	110280.00			113	VM3534-5	110176.00	E01 H01		213
VM2333T	151350.60				VM3534-50	102689.00			228
VM2333T	G151350.60		LM16828	68	VM3535	113311.00		LM24858	65

This information is furnished as a guide only.
Always check specific motor to determine suitability for direct replacement



Competitor Catalog #	LEESON Catalog #	Exception Code(s) To LEESON	Lincoln Catalog #	LEESON Page #	Competitor Catalog #	LEESON Catalog #	Exception Code(s) To LEESON	Lincoln Catalog #	LEESON Page #
VM3537	114176.00		LM24138	65	VM3615T	G131492.00		LM16299	67
VM3537-50	102691.00			228	VM3615T-5	131499.00			
VM3538	102860.00		LM24083	65	VM3615T-5	G131499.00			213
VM3538-5	110176.00	E01		213	VM3616T	131510.00			
VM3538-50	102694.00			228	VM3616T	G131510.00			67
VM3539	110163.00		LM24128	65	VM3703	131491.00	B23		
VM3541	110448.00		LM24151	65	VM3704	131642.00	F24		
VM3541-50	114893.00			228	VM3704T	131642.00			
VM3542	110047.00		LM24077	65	VM3704T	G131642.00		LM32850	
VM3542-5	110177.00			213	VM3707	131492.00	B23		
VM3542-50	114894.00			228	VM3708T	140535.00			
VM3543	112378.00		LM24153	65	VM3708T	G140535.00		LM32852	67
VM3543T	120097.00			65	VM3709T	131912.00			
VM3545	110112.00		LM24139	66	VM3709T	G131912.00			67
VM3545-50	114895.00			228	VM3710T	131528.00			
VM3546	110048.00		LM24080	66	VM3710T	G141113.00		LM16300	67
VM3546-5	110204.00			213	VM3711T	140690.00			
VM3546T	120024.00				VM3711T	G140690.00			67
VM3546T	G120024.00	C15	LM24080	66	VM3713T	140691.00			
VM3546T-5	120176.00				VM3713T	G140691.00		LM32832	68
VM3546T-5	G120176.00			213	VM3714T	140109.00			
VM3546T-50	121272.00			228	VM3714T	G140109.00	C15	LM32855	67
VM3550	110192.00		LM24096	66	VM3774T	G151348.60		LM16301	67
VM3550T	120105.00				VM37770T	G151346.60			67
VM3550T	G120105.00	C15	LM32810	66	VM4103T	151507.60			
VM3550T-50	121274.00			228	VM4103T	G151507.60			68
VM3554	110125.00		LM24112	66	VM4104T	151508.60			
VM3554-5	111444.00			213	VM4104T	G151508.60			68
VM3554T	120037.00				VM4106T	151351.60			
VM3554T	G120037.00	C15	LM24149	66	VM4106T	G151351.60			68
VM3554T-5	120177.00				VM7002A	111931.00	E01		101
VM3554T-5	G120177.00			213	VM7005A	111933.00	E01		101
VM3554T-50	121275.00			228	VM7006A	111930.00	E01		101
VM3555	111273.00		LM24132	66	VM7009A	111936.00			101
VM3555-5	111611.00			213	VM7010A	111935.00			101
VM3555T	120061.00				VM7013	111943.00	P01		101
VM3555T	G120061.00		LM32678	66	VM7014	111926.00	P01		101
VM3555T-50	121276.00			228	VM7018T	111939.00	P01		101
VM3556	112379.00		LM24130	66	VM7034	111941.00	P01		101
VM3556T	120098.00				VM7037T	121178.00			
VM3556T	G120098.00	C15	LM32846	66	VM7037T	G121178.00	P01		101
VM3557	113634.00			66	VM7042T	158003.00	C02		
VM3557T	120161.00				VM7044T	158005.00	C02		
VM3558	110451.00		LM24084	66	VM7044T	G825128.00	P01		101
VM3558T	120038.00				VM7071T	113971.00	P01		101
VM3558T	G120038.00		LM24125	66	VM7075T	114419.00	P01		101
VM3558T-5	120178.00				VNM3537	110144.00			65
VM3558T-5	G120178.00			213	VNM3538	102861.00	F02		65
VM3558T-50	121277.00			228	VNM3542	110047.00	C25 E02	LM24077	65
VM3559	111630.00		LM24975	67	VP3311D	M1130149.00	F21		274
VM3559T	120993.00				VP3316D	098014.00	E02 K18		275
VM3559T	G120993.00		LM32848	67	VP3326D	098015.00	E02 K18		275
VM3561	113890.00	C11		67	VP3411-14	M1130139.00	F21		275
VM3603	120024.00	F07			VP3416-14	098014.00	K22		275
VM3606	120037.00	F07			VP3426-14	098015.00	K22		275
VM3607	120161.00	F07			VP3428D	098016.00	K18		275
VM3609	120038.00	F07			VP3436-14	108369.00	K23		275
VM3610	120993.00	F07			VP3436D	108369.00	K19		275
VM3610T	131513.00				VP3439D	098017.00	K19		275
VM3611	131491.00	F10			VP3455-14	108370.00	K23		275
VM3611T	131491.00				VP3455D	108370.00	K19		275
VM3611T	G131491.00		LM16298	67	VP3458D	108372.00	K19		275
VM3611T-5	131498.00				VP3468D	108373.00	K20		275
VM3611T-5	G131498.00			213	VP3575-14	118007.00	K24		275
VM3613	131514.00	F10			VP3575D	118007.00	K20		275
VM3613T	131514.00				VP3585-14	118008.00	K24		275
VM3613T	G131514.00			67	VP3585D	118008.00	K20		275
VM3614	120038.00	F07			VP3588D	118009.00	K20		275
VM3614T	131525.00				VP3603D	118014.00	K21		275
VM3614T	G131525.00			66	VP3605D	118010.00	K21		275
VM3615	131492.00	F10			VP7424-14	M1130139.00	E02		275
VM3615T	131492.00				VP7424D	M1130149.00	E02		274

DC Motors

Gearmotors

Ac / DC Controls

Accessories / Kits

Mods / Factory Options

X-Ref / Index

Tech Information

Terms / Warnings

Other Products



This information is furnished as a guide only. Always check specific motor to determine suitability for direct replacement

Cross Reference

Baldor to Leeson and Lincoln

Competitor Catalog #	LEESON Catalog #	Exception Code(s) To LEESON	Lincoln Catalog #	LEESON Page #	Competitor Catalog #	LEESON Catalog #	Exception Code(s) To LEESON	Lincoln Catalog #	LEESON Page #
VSSFWD3542	103390.00			161	WDM3542	112428.00	E02		135
VSSFWD3546	117287.00	F29		161	WDM3546T	G120585.00	E02		
VSSSWDM3537	117126.00			168	WDM3554T	G120858.00	E02		
VSSSWDM3538	103413.00			168	WDM3558T	G120586.00			
VSSSWDM3538	117127.00			168	WDM3558TP	G121191.00			
VSSSWDM3541	117128.00			168	WDM3561TP	115751.00			135
VSSSWDM3542	103414.00			168	WDM3611T	G130662.00			
VSSSWDM3542	117129.00			168	WDM3615T	G130663.00			
VSSSWDM3545	117130.00			168	WDM3710T	G140280.00			
VSSSWDM3546	117131.00			168	WDM3710T	G140467.00			134
VSSSWDM3550T	121750.00			168	WDM3714T	G140281.00			
VSSSWDM3554	117297.00			168	WWL3515T	120997.00	C25		236
VSSSWDM3554T	121751.00			168	WWL3606	120728.00			236
VSSSWDM3555T	121742.00			168	YPC144A	191872.00			196
VSSSWDM3558	117298.00			168	YPC164A	191891.00			196
VSSSWDM3558T	121743.00			168	YPC244A	191871.00			196
VSSWDM3537	117279.00			161	YPC245A	191910.00			196
VSSWDM3538	116166.00				YPC264A	191892.00			196
VSSWDM3538	117270.00			161	YPC265A	191911.00			196
VSSWDM3541	117280.00	F02		161	YPC344A	191873.00			196
VSSWDM3542	116168.00				YPC345A	191875.00			196
VSSWDM3542	117272.00			161	YPC364A	191893.00			196
VSSWDM3545	116318.00				YPC365A	191912.00			196
VSSWDM3545	117281.00			161					
VSSWDM3546	116170.00								
VSSWDM3548	117274.00			161					
VSSWDM3554T	G121525.00			161					
VSSWDM3558T	G121527.00			161					
VSSWDM3559T	121562.00								
VSSWDM3559T	G121562.00			161					
VSSWDM355T	G121561.00			161					
VSSWDM3611T	131923.00								
VSSWDM3611T	G131923.00			161					
VSSWDM3613T	131949.00								
VSSWDM3613T	G131949.00			161					
VSSWDM3615T	131924.00								
VSSWDM3615T	G131924.00			161					
VSWDM3536	114437.00			153					
VSWDM3538	114394.00			153					
VSWDM3538	191205.00			157					
VSWDM3542	114395.00			153					
VSWDM3542	191208.00			157					
VSWDM3546	191290.00			157					
VSWDM3546T	121109.00			153					
VSWDM3546T	191214.00								
VSWDM3554	114581.00			153					
VSWDM3554	191219.00			157					
VSWDM3554T	191220.00								
VSWDM3554T	G121350.00	E02		153					
VSWDM3558T	191226.00								
VSWDM3558T	G121351.00	E02		153					
VWDL3504	114313.00	C55		133					
VWDL3507	114315.00	C55		133					
VWDL3510	114317.00	C55		133					
VWDL3514	114319.00	C55		133					
VWDM2714T	G140465.00			134					
VWDM3538	113473.00			134					
VWDM3542	113019.00			134					
VWDM3546	113020.00			134					
VWDM3546T	120760.00			134					
VWDM3554	113021.00			134					
VWDM3554T	120761.00			134					
VWDM3558	114616.00			134					
VWDM3558T	120762.00								
VWDM3559	115976.00			134					
VWDM3611T	131596.00								
VWDM3611T	G131596.00			134					
VWDM3615T	131597.00								
VWDM3615T	G131597.00			134					
VWDM3710T	140467.00								
VWDM3714T	140465.00								
WDM3538	112427.00	E02		135					

This information is furnished as a guide only.
Always check specific motor to determine suitability for direct replacement



Marathon to Leeson and Lincoln

Competitor Catalog #	LEESON Catalog #	Exception Code(s) To LEESON	Lincoln Catalog #	LEESON Page #	Competitor Catalog #	LEESON Catalog #	Exception Code(s) To LEESON	Lincoln Catalog #	LEESON Page #
9035	110232.00			11	A609	175844.00			365
9035	113632.00			8	A610	175058.60			367
9036	110222.00			11	A611	175061.60			367
9038	111275.00			11	A612	175067.60			367
9040	116523.00			11	A613	175059.60			367
1314A	131631.00			27	A614	175062.60			367
1314A	131994.00			173	A615	175061.60			367
1315A	131995.00			173	A620	175664.60			367
132M	193313.60			266	A621	175664.60			367
143A	175034.00			374	A644	175691.00			365
145A	175035.00			374	A645	175691.00			365
1814T	175091.00			374	A647	175192.60			364
182A	175036.00			374	A648	175192.60			364
184A	175037.00			374	A649	175192.60			364
2118T	175092.00			374	A650	175118.60			364
213A	175038.00			374	A651	175119.60			364
215A	175039.00			374	A655	175077.00			365
254B2	175040.00			374	A691	175676.00			371
256B2	175041.00			374	A692	175675.00			371
25U21T	175093.00			374	A694	175677.00			371
284B2	175042.00			374	A695	175678.00			371
286B2	175043.00			374	A763	E175927.00			79
28U25T	175094.00			374	A764	E175921.00			79
324B2	175044.00			374	A772	E175928.00			79
326B2	175045.00			374	A775	E175922.00			79
32U28T	175095.00			374	A776	E175930.00			79
364B2	175046.00			374	A778	E175924.00			79
365B2	175047.00			374	A779	E175929.00			79
36U32T	175097.00			374	A780	E175931.00			79
385B	132080.00		LM16745	71	A781	E175923.00			79
404B2	175048.00			374	A782	E175925.00			79
405B2	175049.00			374	B193	113926.00			40
40U36T	175098.00			374	B206	M900195.00			195
444B2	175088.00			374	B207	M900196.00			195
445B2	175089.00			374	B208	M900197.00			195
447B2	175090.00			374	B210	100010.00			13
44U40T	175127.00			374	B310	113027.00			13
A204	175844.00			365	B311	110007.00			13
A206	175844.00			365	B314	100014.00			13
A209	175191.60			367	B315	100110.00	F01		13
A214	175062.60			367	B316	100015.00			13
A216	175060.60			367	B317	100011.00			13
A217	175063.60			367	B318	100016.00			13
A219	175060.60			367	B319	100012.00			13
A220	175063.60			367	B330	110579.00			13
A223	175199.60			367	B336	110579.00	P01		13
A226	175199.60			367	B352	113608.00			13
A229	175664.60			367	B388	M900277.00			195
A232	175664.60			367	B600	M900599.00			195
A239	175191.60			367	C101	121668.00			
A284	175191.60			367	C102	121670.00			
A287	175058.60			367	C102A	G121670.00			60
A302	175140.00				C103	121187.00			
A303	175141.00				C103	G121187.00		LM32793	60
A307	175660.00				C104	131779.00			
A395	175063.60			367	C104B	G131779.00			60
A396	175063.60			367	C105	131780.00			
A435	175075.00			365	C105B	G131780.00			60
A436	175181.00			365	C106	140688.00			
A437	175076.00			365	C106A	G140688.00			60
A438	175077.00			365	C111	120063.00			59
A569	175850.00			270	C120	120172.00			
A570	175852.00			270	C1204	G131514.00			67
A571	175854.00			270	C121	120081.00			
A572	175856.00			270	C122	120035.00			
A574	175884.60				C1224	G131492.00		LM16299	67
A575	175886.60				C122A	G120035.00		LM32792	
A576	175888.60				C123	131489.00			
A577	175890.60			270	C123B	G131489.00		LM32794	60
A601	175191.60			367	C124	131490.00			
A603	175077.00			365	C124B	G131490.00		LM24234	60
A606	175845.00			365	C125	140580.00			
A608	175067.60			367	E221	170033.60		LM15673	47

DC Motors

Gearmotors

Ac / DC Controls

Accessories / Kits

Mods / Factory Options

X-Ref / Index

Tech Information

Terms / Warnings

Other Products



This information is furnished as a guide only. Always check specific motor to determine suitability for direct replacement

Cross Reference

Marathon to Leeson and Lincoln

Competitor Catalog #	LEESON Catalog #	Exception Code(s) To LEESON	Lincoln Catalog #	LEESON Page #	Competitor Catalog #	LEESON Catalog #	Exception Code(s) To LEESON	Lincoln Catalog #	LEESON Page #
C125A	G140580.00		LM32800	60	E2107	171647.60	C02	LM24127	45
C126	140108.00				C224	131492.00			
C1263	110002.00		LM24542	7	C225	151346.60	C02		
C1269	114215.00			23	C225A	G141113.00		LM16300	67
C126A	G140108.00		LM32801	60	C226	140109.00			
C1270	116707.00			23	C226A	G140109.00		LM32855	67
C1273	120374.00			176	C227	151350.60	C02		
C1274	120375.00			176	C230	120176.00			
C1275	120376.00			176	C230A	G120176.00			213
C1298	100005.00	F02		7	C231	120177.00			
C1333	110009.00		LM24546	15	C231A	G120177.00			213
C1405	102930.00	F02	LM24600	26	C232	120178.00			
C1419	102870.00	F02	LM24736	24	C236	120993.00			
C1420	102903.00	F02	LM24725	26	C179	110360.00		LM24525	8
C1422	110411.00		LM24737	24	C237	140691.00			
C1424	110419.00		LM24535	25	C237	151349.60	C02		
C1425	110905.00		LM24615	26	C237A	G140691.00		LM32832	68
C145	100000.00	F02	LM24457	7	C238	131510.00			
C1460	120003.00			8	C238B	G131510.00			67
C1467	111332.00			176	C242	102014.00		LM24606	15
C1468	111333.00			176	C250	120098.00			
C1474	100052.00	F02		7	C250A	G120098.00		LM32846	66
C1475	100053.00	F02		7	C251A	G132249.00			66
C1477	113631.00			8	C252	131525.00			
C148	100115.00			7	C253	131642.00			
C1480	110167.00		LM24582	8	C254	140535.00			
C150	120082.00				C1252	110001.00		LM24540	7
C150A	G120082.00			59	C260	121035.00			
C1515	102862.00		LM24599	24	C261	102906.00	F02	LM24627	15
C152	132059.00				C262	102908.00	F02	LM24603	15
C152A	G132059.00				C264	110011.00		LM24496	15
C153	140765.00				C268	110013.00		LM24607	16
C154	100116.00			7	C269	110017.00		LM24608	16
E2103	171642.60		LM15854	44	C275	110209.00		LM24610	16
C159	100001.00	F02	LM24549	7	C276	110018.00		LM24611	16
C162	121669.00				C168	100002.00	F02	LM24552	7
C162A	G121669.00				C281	121681.00			26
C163	121405.00				C282	113931.00		LM24729	27
C164	100338.00			7	C282	121008.00		LM24730	27
C167	100007.00	F02	LM24551	7	C284	121060.00			27
E2106	171648.60	C02	LM15857	45	C158	100006.00	F02	LM24570	7
C171	120073.00		LM24694	22	C295	120025.00		LM24709	16
E218	170158.60	E02	LM15878	46	C301	111939.00	C01 P01		101
C175	100008.00	F02	LM24502	7	C302A	113971.00			101
C176	100003.00	F02	LM24503	7	C322	121178.00	C01 P01		
C178	110003.00	F05	LM24543	7	C322A	G121178.00			101
C223B	G131491.00		LM16298	67	C323A	G825116.00			101
C181	110097.00			8	C324A	G825128.00			101
C1814	116188.00			100	C330	100204.00	F02		113
C182	110000.00		LM24581	8	C330	101524.00			
E819	170228.60		LM20085	211	C331	100207.00	F02		113
C186	120001.00	F06		8	C331	101527.00			
C187	110363.00		LM24624	8	C332	100205.00	F02		113
C188	120044.00		LM24675	8	C332	101525.00			
C191	120042.00		LM24687	8	C333	100208.00	F02		113
C201	120105.00				C333	101528.00			
C201	G120037.00		LM24149	66	C334	100722.00	F02		113
C201A	G120105.00		LM32810	66	C334	101526.00			
C202	120061.00				C335	100723.00	F02		113
C202A	G120061.00		LM32678	66	C335	101529.00			
C203	131513.00				C336	110288.00			113
C203B	G131513.00			67	C336	113686.00			
C204	131514.00				C337	110292.00			113
C205	131912.00				C337	113687.00			
C205	151345.60	C02			C338	110289.00			113
C206	140690.00				C339	110293.00			113
C206A	G140690.00			67	C340	110280.00			113
C220	120024.00				C341	110286.00			113
C220A	G120024.00		LM24080	66	C349	102872.00	F02		24
C221	120037.00				C352	113639.00			114
C222	120038.00				C356	101522.00			21
C223	131491.00				C359	100020.00			21

This information is furnished as a guide only.
Always check specific motor to determine suitability for direct replacement



Cross Reference

Marathon to Leeson and Lincoln

Competitor Catalog #	LEESON Catalog #	Exception Code(s) To LEESON	Lincoln Catalog #	LEESON Page #	Competitor Catalog #	LEESON Catalog #	Exception Code(s) To LEESON	Lincoln Catalog #	LEESON Page #
C364A	825126.00			102	E100	G121850.00			121
C365A	825071.00			102	E102	G121851.00			121
C366A	825073.00			102	E104	G121852.00			121
C367A	825075.00			102	E105	G121854.00			121
C375	102907.00	F02	LM24628	26	E108	G131563.00			121
C376	110908.00		LM24616	26	E110	G140618.00			121
C380B	132243.00		LM32830	70	E111	G141121.00			121
C381B	132079.00		LM16741	71	E112	G140619.00			121
C382B	131504.00		LM16742	71	E113	G151380.60			121
C384A	140834.00		LM32833	71	E114A	G151361.60			121
C385B	171446.60	C02	LM62019	71	E150	G131574.00			121
C386B	131502.00		LM16747	71	E160	G131576.00			121
C388A	171116.60	C02	LM32835	71	E191	G151381.60			121
C389A	140770.00		LM16750	71	E1930	131519.00		LM24222	34
C390A	140521.00		LM32838	71	E1931	131520.00		LM24202	35
C392A	140769.00		LM32840	72	E197	G151362.60			121
C393A	140522.00		LM32841	72	E202	171322.60		LM24195	46
C401	G121051.00			259	E203	140450.00	C01	LM16029	46
C403	G121052.00			259	E203	170157.60		LM24209	46
C405	G131617.00			259	E203	G140578.00	C01		
C406	G131618.00			259	E204	140451.00	C01	LM32809	47
C407	G140605.00			259	E204	170140.60		LM60036	47
C408	G140639.00			259	E205	170066.60		LM24208	47
C446	102871.00	F02		24	E206	170007.60		LM24207	47
C465	113955.00			114	E207	170011.60		LM15792	48
C702	113630.00			8	E208	170015.60		LM13964	48
C703	110362.00			8	E209	170019.60		LM13699	49
C704	110110.00			8	E210	170023.60		LM19753	49
C704	110161.00			11	E2100	116129.00			44
C847	113956.00			114	E2101	120921.00		LM32796	44
C878	113641.00			114	E2101	171640.60	C02	LM24102	44
CG260	100956.00			15	E2102	171643.60	C02	LM15856	44
CG362	101523.00			21	C185	110005.00		LM24583	8
D010	110097.00			8	E2104	171646.60	C02	LM25267	44
D010	110160.00			11	E2105	131980.00		LM15648	44
D012	110232.00			11	C174	131544.00		LM24695	22
D013	110222.00			11	C276	120824.00	P02	LM24742	25
D017	111275.00			11	E2108	131981.00		LM15651	45
D017	116708.00			9	E2109	131985.00		LM15646	45
D017	116789.00			11	E211	170027.60		LM14809	49
D018	110161.00			11	E2112	131987.00		LM15649	46
D110	101432.00	C12		13	E212	170031.60		LM14811	50
D111	100011.00	C09		13	E213	170087.60		LM19762	50
D113	100012.00	P01		13	E214	170369.60		LM60065	50
D114	110007.00			13	E215	170371.60		LM13707	51
D115	110479.00			13	E216	131985.00	C01	LM15646	45
D116	113633.00			13	E217	131987.00		LM15649	46
D117	100603.00	C09		13	E218	140756.00	C01	LM32804	46
D118	110478.00	C09		13	F105	110089.00		LM24794	171
D312	112135.00	B34	LM24726	26	E219	140755.00	C01	LM32808	47
D313	110180.00	B34	LM24727	26	E219	170159.60		LM15861	47
D314	110909.00	B34	LM24539	26	E220	170062.60		LM15890	47
D315	113931.00	B34	LM24729	27	C284	121825.00		LM29441	27
D391	114142.00	B34	LM24129	69	E222	170035.60		LM13960	48
D392	110915.00	B34	LM24134	69	E223	170037.60		LM60046	48
D393	110181.00	B34	LM24126	69	E224	170039.60		LM19749	49
D394	110917.00	B34	LM24135	70	C236A	G120993.00		LM32848	67
D394	110918.00		LM24095	70	E226	170043.60		LM14808	49
D395	113927.00	B34	LM24121	70	E227	170045.60		LM14810	50
D396	114615.00	B34	LM24953	71	E228	170160.60		LM13939	50
D400	114165.00			257	C254A	G140535.00		LM32852	67
D401	111950.00			257	E230	171578.60		LM13706	51
D402	114167.00			257	E231	131980.00	C01	LM15648	44
D403	111951.00			257	E232	131981.00	C01	LM15651	45
D450	110669.00			259	E233	171378.60		LM60027	45
D452	110670.00	E01		259	E234	171379.60		LM15883	46
D452	114154.00			259	E235	170122.60		LM15892	46
D453	114152.00			259	E236	170123.60		LM15675	47
D454	114155.00			259	E237	170068.60		LM15793	47
D456	110679.00			259	E238	170001.60		LM15796	47
E096	G121853.00			121	E239	170003.60		LM13696	48
E097	G131562.00			121	E240	170005.60		LM60048	48

DC Motors

Gearmotors

Ac / DC Controls

Accessories / Kits

Mods / Factory Options

X-Ref / Index

Tech Information

Terms / Warnings

Other Products



This information is furnished as a guide only. Always check specific motor to determine suitability for direct replacement

Cross Reference

Marathon to Leeson and Lincoln

Competitor Catalog #	LEESON Catalog #	Exception Code(s) To LEESON	Lincoln Catalog #	LEESON Page #	Competitor Catalog #	LEESON Catalog #	Exception Code(s) To LEESON	Lincoln Catalog #	LEESON Page #
E241	170096.60		LM13918	49	E594	825109.00			103
E242	170097.60		LM19754	49	E595	G825071.00			103
E243	170098.60		LM13938	49	E610	LM32685			100
E244	170099.60		LM60060	50	E613	LM32895			100
E245	170256.60		LM13702	50	E625	LM32887			100
E246	170260.60		LM13705	50	E627	LM32893			100
E247	170352.60	C09	LM16230	51	E628	LM32896			100
E250	103083.00			23	E629	LM32899			100
E259	103084.00			23	E630	LM32902			100
E268	103086.00			23	E631	LM32905			100
E276	151516.60	C09			E643A	LM32888			100
E277	151529.60	C09			E692	LM14645			100
E278	151530.60	C09			E702	G120076.00			
E282	171316.60		LM60072	51	E704	G130282.00			
E289	171315.60		LM16231	51	E705	G130284.00			
E295	113019.00			134	E706	G140682.00			
E296	113020.00			134	E706	G150143.60	C02		
E303	171320.60	E02	LM60026	45	E707	G140683.00			
E304	131461.00	C01			E707	G150064.60	C02		
E306	150212.60				E708	G150032.60	C02		
E307	150116.60				E709	G150034.60	C02		
E308	150117.60				E710	G150036.60			
E309	150118.60				E711	G150038.60			
E310	150119.60				E712	G150040.60			
E311	150120.60				E713	G150042.60			
E312	150121.60				E714	G150044.60			
E313	150239.60				E715	115827.00			33
E314	150253.60				E716	G120011.00			
E315	150244.60				E717	G120012.00			
E318	150228.60				E718	G130000.00			
E319	150232.60				E719	G130004.00			
E328	170256.60		LM13702	50	E720	G140147.00			
E342	171579.60		LM16229	51	E721	G140490.00			
E348	121199.00		LM24276	43	E722	G150065.60			
E354	G120016.00				E723	G150006.60			
E362	LM22211			100	E724	G150009.60			
E364	LM22213			100	E725	G150013.60			
E375	LM32856			91	E726	G150017.60	C02		
E470	LM16644			91	E727	G150021.60	C02		
E472	LM32864			91	E728	G120089.00			
E473	LM16650			91	E729	G130010.00			
E474	LM32867			91	E730	G130012.00			
E476	LM32869			91	E731	G140550.00			
E477	LM16656			91	E732	G140122.00			
E479	LM16919			91	E733	G150145.60	C02		
E482	LM32873			91	E734	G150146.60	C02		
E485	LM32876			91	E735	G150067.60			
E486	LM32877			91	E736	G150000.60			
E488	LM32879			91	E737	G150002.60			
E491	LM32882			91	E738	G150004.60			
E502	825092.00			103	E739	G150025.60			
E503	825093.00			103	E740	G150029.60			
E505	825094.00			103	E741	G150152.60			
E506	825095.00			103	E742	G150155.60			
E546	825096.00			103	E743	G151522.60			
E547	825097.00			103	E746	G150147.60			
E563	825098.00			103	E747	G150148.60			
E564	825099.00			103	E748	G150149.60			
E566	825100.00			103	E749	G150150.60			
E567	825101.00			103	E753	G150151.60			
E569	825102.00			103	E754	G150154.60			
E570	825103.00			103	E755	G151449.60			
E572	825104.00			103	E759	150212.60	C02 E02		
E573A	825105.00			103	E760	150116.60	C02 E02		
E575	825106.00			103	E761	150117.60	C02 E02		
E576E	825107.00			103	E762	150118.60	E02		
E578	825108.00			103	E763	150119.60	E02		
E582A	825111.00			103	E764	150120.60	E02		
E584	825112.00			103	E765	150121.60	E02		
E585	825113.00			103	E766	150239.60	E02		
E588	825115.00			103	E766	LM14644			100
E591	G825072.00			103	E771	LM14643			100

This information is furnished as a guide only.
Always check specific motor to determine suitability for direct replacement



Cross Reference Marathon to Leeson and Lincoln

Competitor Catalog #	LEESON Catalog #	Exception Code(s) To LEESON	Lincoln Catalog #	LEESON Page #	Competitor Catalog #	LEESON Catalog #	Exception Code(s) To LEESON	Lincoln Catalog #	LEESON Page #
E772	LM14642			100	E955	G140578.00			
E774	LM15723			100	E956	G140489.00			
E783	G120103.00				E957	G150031.60			
E784	G120077.00				E9574	170031.60		LM14811	50
E793	G150009.60				E959	G150087.60			
E798	120170.00	E02			E960	G150043.60			
E800	150118.60				E960A	170043.60		LM14808	49
E800	170118.60		LM16407	211	E961	G150011.60			
E801	G150023.60				E961C	170011.60		LM15792	48
E802	G150027.60				E962	G150023.60			
E803	G150098.60				E962B	170023.60		LM19753	49
E804	G150031.60				E963	G130101.00			
E805	150244.60				E964	G150037.60			
E805	170244.60		LM18372	212	E964A	170037.60		LM60046	48
E806	G150099.60				E965	G150007.60	C02		
E807	G150160.60				E966	G150005.60			
E809	G151367.60				E966A	170005.60		LM60048	48
E815	150120.60				E967	G130099.00			
E815	170120.60		LM14396	211	E968	G150001.60			
E816	G150019.60				E9684	170001.60		LM15796	47
E817	150119.60				E969	G140686.00			
E817	170119.60		LM19595	211	E969	G150159.60	C02		
E818	G150015.60				E970	G140126.00			
E819	150228.60				E971	G150039.60			
E225	170041.60		LM60052	49	E971A	170039.60		LM19749	49
E820	G150003.60				E972	G130103.00			
E820A	170003.60		LM13696	48	E972	G131774.00			
E821	150197.60	C02			E974	G150033.60	C02		
E822	140013.00				E975	G150035.60			
E823	G130015.00				E975	G151318.60			
E824	120047.00				E9754	170035.60		LM13960	48
E827	120122.00				E976	G150041.60			
E832	G120086.00				E976A	170041.60		LM60052	49
E834	120170.00				E978	G150068.60			
E836	120032.00				E978A	170068.60		LM15793	47
E838	120021.00				E979	G120087.00			
E838	121940.00		LM24142	209	E982	G130015.00			
E843	120171.00				E983	G150015.60			
E843	121941.00		LM25103	209	E983B	170015.60		LM13964	48
E843	LM32874			91	E984	G150019.60			
E845	120034.00				E984B	170019.60		LM13699	49
E847	120019.00				E985	G150043.60			
E847	121942.00		LM24108	209	E985B	170027.60		LM14809	49
E849	G130016.00				E986	G151371.60			
E905	131500.00				E987	G151369.60			
E906	131547.00				E988	G150096.60			
E907	140004.00				E988A	170096.60		LM13918	49
E914	120019.00	E02			E989	G150352.60	C09		
E920	170025.60		LM14813	36	E991	G150045.60			
E921	170029.60		LM14815	37	E991A	170045.60		LM14810	50
E922	170152.60		LM13943	37	E992	G151368.60			
E923	170155.60		LM13946	37	E993	G150097.60			
E924	171522.60	C02	LM13817	37	E993A	170097.60		LM19754	49
E925	171523.60		LM13820	37	E994	G120088.00			
E927	121003.00		LM24871	33	E995	G130016.00			
E928	121004.00		LM24875	34	E996	G150066.60	C02		
E929	121005.00		LM24169	34	E997	150116.60	C02		
E930	131519.00		LM24222	34	E998	150117.60	C02		
E931	131520.00		LM24202	35	E999	G150011.60			
E934	120167.00	E02			EG282	115877.00			26
E940	170065.60		LM24190	35	F101	113256.00		LM24789	171
E941	170006.60		LM24199	35	F101	M002256.00			182
E942	170009.60		LM29576	36	F102	110086.00		LM24790	171
E943	170013.60		LM29577	36	F102	M009087.00			182
E944	170017.60	C02	LM13811	36	F103	110087.00		LM24791	171
E945	170021.60	C02	LM13813	36	F103	M009087.00			182
E945	G150021.60				F104	110088.00		LM24792	171
E950	G120014.00				F104	M009089.00			182
E951	G120015.00				E229	171580.60		LM60064	50
E952	G120016.00				F105	M009089.00			182
E953	G130008.00				F1203	101437.00		LM24812	180
E954	G130027.00				F1204	113302.00		LM24813	180

DC Motors

Gearmotors

Ac / DC Controls

Accessories / Kits

Mods / Factory Options

X-Ref / Index

Tech Information

Terms / Warnings

Other Products



This information is furnished as a guide only. Always check specific motor to determine suitability for direct replacement

Cross Reference

Marathon to Leeson and Lincoln

Competitor Catalog #	LEESON Catalog #	Exception Code(s) To LEESON	Lincoln Catalog #	LEESON Page #	Competitor Catalog #	LEESON Catalog #	Exception Code(s) To LEESON	Lincoln Catalog #	LEESON Page #
F1205	113301.00		LM24814	180	G221	110043.00		LM24917	59
F131	103082.00	F02		26	G223	110437.00		LM24919	59
F131	116485.00			28	G225	110044.00		LM24160	59
F132	103085.00	F02		26	G227	113894.00		LM24921	60
F132	116486.00			28	G229	115553.00		LM24131	60
F133	116487.00			28	G230	100024.00	F02	LM24571	21
F133	116922.00			26	G232	100356.00	F02	LM24689	21
F134	115879.00			26	G234	100025.00	F02	LM24555	21
F134	116488.00			173	G238	100357.00	F02	LM24690	21
F135	116489.00	F04		173	G240	100375.00		LM24909	59
F135	116703.00			26	G241	100056.00		LM24911	59
F201	101435.00		LM24462	180	G242	110176.00	E01		213
F202	101436.00		LM24463	180	G243	110177.00	E01		213
F203	101437.00		LM24812	180	G244	110204.00	E01		213
F204	113302.00		LM24813	180	G245	101648.00	E01		65
F205	113301.00		LM24814	180	G245	103014.00			59
G044	100027.00	F02	LM24866	33	G246	116728.00			59
G047	100028.00		LM24152	33	G248	110434.00		LM24913	59
G061	110425.00		LM24868	33	G250	100026.00	F02		21
G063	100029.00		LM24098	33	G254	110384.00		LM24526	21
G065	110199.00	E01	LM24154	209	G256	110220.00		LM24586	21
G067	110027.00		LM24146	33	G258	110387.00		LM24523	22
G076	100115.00	P01		7	G270	110388.00		LM24587	22
G078	101423.00		LM24458	7	G272	110390.00		LM24527	22
G080	101449.00		LM24870	33	G278	110381.00		LM24544	21
G084	100030.00		LM24099	33	G289	114420.00		LM24923	60
G086	110178.00	E02	LM25095	209	G290	113700.00			23
G088	110028.00		LM24162	33	G303	101079.00		LM24107	43
G091	100336.00	F02	LM24467	7	G306	110441.00		LM24931	43
G093	100006.00		LM24570	7	G308	100905.00			43
G094	100116.00			7	G309	110714.00	E01	LM25094	209
G095	100588.00	F02	LM24550	7	G314	101446.00	F01		15
G096	110001.00		LM24540	7	G316	114617.00		LM24545	15
G098	100184.00		LM24465	7	G321	100913.00		LM24073	43
G100	111311.00			40	G322	110199.00	E01	LM24154	209
G101	100908.00			40	G324	110353.00		LM24105	43
G106	101520.00			40	G326	110313.00		LM24133	43
G107	100796.00			40	G327	110354.00		LM24110	209
G109	100145.00			40	G329	110034.00		LM24075	43
G1098	100184.00		LM24465	7	G332	102933.00	F02	LM24602	15
G115	100109.00	C09		13	G333	110009.00		LM24546	15
G120	111311.00	P01		40	G339	102909.00	F02	LM24604	15
G126	113846.00			40	G340	110178.00		LM25095	209
G127	113847.00	P01		40	G342	110275.00		LM24136	43
G128	113847.00			40	G344	110145.00		LM24094	44
G1312	102015.00	F01		15	G345	110715.00		LM25096	209
G1330	102931.00		LM24597	15	G347	110035.00		LM24078	44
G1331	102932.00	F02	LM24601	15	G348	110206.00		LM25097	209
G1340	110178.00		LM25095	209	G350	110011.00		LM24496	15
G135	100010.00	C09		13	G352	110276.00		LM24707	16
G1376	110253.00		LM24513	16	G354	110013.00		LM24607	16
G1376	120026.00	F06	LM24711	16	G355	110017.00		LM24608	16
G1377	110019.00		LM24514	16	G356	110022.00			16
G1392	110402.00		LM24534	17	G357	110400.00		LM24497	16
G151	100011.00	C09		13	G359	110059.00		LM24708	16
G1511	102866.00	F02		24	G360	113933.00		LM24159	44
G1513	101766.00			24	G363	121939.00	F06	LM25102	209
G1519	110058.00		LM24614	25	G365	110444.00		LM24118	44
G1531	110420.00		LM24622	25	G369	113026.00		LM24097	45
G156	100016.00			13	G371	110209.00		LM24610	16
G162	100210.00			40	G372	110018.00		LM24611	16
G167	101641.00			40	G373	110023.00		LM24612	16
G180	113895.00			40	G374	110094.00	F06	LM24531	16
G183	113896.00			40	G376	110253.00		LM24513	16
G186	113897.00			40	G377	110019.00		LM24514	16
G201	100048.00		LM24910	59	G378	113333.00		LM24515	16
G203	100049.00		LM24912	59	G379	110108.00		LM24744	16
G205	100378.00		LM24914	59	G383	110745.00		LM24144	44
G207	100050.00		LM24915	59	G384	111916.00		LM24347	45
G209	110111.00		LM24916	59	G385	114614.00			45
G212	100023.00	F02	LM24569	21	G386	120423.00			
G216	100354.00	F02	LM24688	21	G390	110142.00		LM24745	16

This information is furnished as a guide only.
Always check specific motor to determine suitability for direct replacement



Cross Reference

Marathon to Leeson and Lincoln

Competitor Catalog #	LEESON Catalog #	Exception Code(s) To LEESON	Lincoln Catalog #	LEESON Page #	Competitor Catalog #	LEESON Catalog #	Exception Code(s) To LEESON	Lincoln Catalog #	LEESON Page #
G391	110109.00		LM24532	16	G910	100007.00	C09	LM24551	7
G392	110402.00		LM24534	17	G911	100002.00		LM24552	7
G393	102904.00	F02	LM24743	15	G912	100004.00		LM24553	7
G396	115024.00			26	G913	110002.00		LM24542	7
G396	116703.00			26	G915	100340.00	F02	LM24674	7
G507	102860.00		LM24083	65	G917	100008.00	C09	LM24502	7
G508	110176.00			213	G918	100003.00	C09	LM24503	7
G511	102866.00			24	G919	100005.00	C09		7
G513	101766.00	F02		24	G919	101544.00	F02	LM24504	7
G514	102864.00		LM24736	24	G923	111309.00			34
G515	102862.00		LM24599	24	G930	110003.00		LM24543	7
G516	110413.00		LM24738	24	G932	110360.00		LM24525	8
G517	110057.00		LM24613	24	G934	110004.00		LM24580	8
G518	110416.00		LM24740	25	G935	110000.00		LM24581	8
G519	110058.00		LM24614	25	G936	110167.00		LM24582	8
G522	110047.00		LM24077	65	G936	113630.00			8
G523	110177.00			213	G936	120003.00			8
G527	110048.00		LM24080	66	G937	110361.00		LM24524	8
G528	110204.00			213	G939	110005.00		LM24583	8
G530	110419.00		LM24535	25	G950	113266.00	P01		8
G531	110420.00		LM24622	25	G951	110006.00		LM24585	8
G533	110422.00		LM24530	25	G951	113266.00			8
G534	102870.00		LM24736	24	G951	120004.00			8
G541	110125.00		LM24112	66	G952	110363.00		LM24624	8
G544	110451.00		LM24084	66	G958	113266.00			8
G547	101767.00		LM24964	65	G966	100908.00	P01		40
G548	111444.00			213	G976	113632.00			8
G552	110905.00		LM24615	26	G979	116704.00			8
G553	110908.00		LM24616	26	G986	110110.00	P01		8
G562	110916.00		LM24076	69	G987	113631.00			8
G563	110912.00		LM24079	69	H116	102012.00			15
G564	110918.00		LM24095	70	H185A	G151809.22		LM32688	45
G569	114142.00		LM24129	69	H613	131500.00			
G572	110905.00	B34	LM24615	26	H616	131547.00			
G573	110908.00	B34 C46	LM24616	26	H619	140004.00			
G574	110910.00	B34	LM24728	26	H664	120047.00			
G580	102921.00			69	H665	120032.00			
G581	102917.00		LM24074	69	H666	120034.00			
G582	110916.00	B34	LM24076	69	H668	131466.00			
G583	110912.00	B34	LM24079	69	H669	131467.00			
G584	110918.00	B34	LM24095	70	H670	140013.00			
G585	116747.00	F02		70	H700	121009.00		LM24103	43
G588	110914.00	B34	LM24104	69	H710	G130008.00			
G589	116340.00		LM24140	69	H803	116595.00			34
G590	116107.00			71	H956	151457.60			
G647	111932.00			101	H957	151461.60			
G648	111934.00			101	HG123	102016.00	C10	LM24705	15
G649	111929.00			101	HG646	101435.00		LM24462	180
G651	111074.00			100	I101	120107.00		LM24676	8
G654	111084.00			100	I102	120106.00		LM24806	8
G657	110934.00			100	I103A	131636.00		LM24679	9
G659	110961.00			100	I104A	131616.00		LM24681	9
G660	111937.00			101	I105	140680.00			9
G661	111923.00			101	I106	140681.00			9
G662	111942.00			101	I108A	132044.00			9
G663	111922.00			101	I110	120044.00		LM24675	8
G828	111931.00			101	I111	120042.00		LM24687	8
G829	111930.00			101	I112	131515.00		LM24678	8
G840	111935.00			101	I113A	131534.00		LM24680	9
G841	111926.00			101	I114	131560.00			9
G853	111075.00			100	I114A	131537.00		LM24682	9
G854	111098.00			100	I115	140155.00		LM24683	9
G855	111085.00			100	I116	140311.00		LM24684	9
G857	111086.00			100	I118	120067.00		LM24677	8
G858	111096.00			100	I119	131622.00			9
G870	110852.00			100	I127	120879.00		LM24685	8
G871	116606.00			100	I127	131536.00			8
G872	116609.00			100	I130	131851.00			9
G873	116611.00			100	I143	140747.00			17
G874	116612.00			100	I145	116706.00	F05		9
G875	116613.00			100	I147	113608.00	P01		13
G876	116614.00			100	I201	120009.00		LM24746	16

DC Motors

Gearmotors

Ac / DC Controls

Accessories / Kits

Mods / Factory Options

X-Ref / Index

Tech Information

Terms / Warnings

Other Products



This information is furnished as a guide only. Always check specific motor to determine suitability for direct replacement

Cross Reference

Marathon to Leeson and Lincoln

Competitor Catalog #	LEESON Catalog #	Exception Code(s) To LEESON	Lincoln Catalog #	LEESON Page #	Competitor Catalog #	LEESON Catalog #	Exception Code(s) To LEESON	Lincoln Catalog #	LEESON Page #
I203	120395.00		LM24747	17	K022	110430.00		LM24117	34
I204	120341.00		LM24714	17	K025	113292.00		LM24877	34
I205	116705.00	F05	LM24748	17	K027	101448.00		LM24869	33
I206	131637.00		LM24715	17	K041	113025.00		LM24106	34
I210	120025.00		LM24709	16	K048	113293.00		LM24878	34
I211	120026.00		LM24711	16	K061	110893.00	E02	LM25099	209
I212	131509.00		LM24713	17	K064	115825.00	P03		34
I213	131533.00		LM24716	17	K065	115826.00	P03		34
I213A	131533.00		LM24716	17	K073	110362.00	P02		8
I214	131538.00		LM24718	17	K113	101447.00		LM24867	33
I214A	131563.00				K1299	110434.00		LM24913	59
I215	140120.00		LM24720	17	K1300	116728.00			59
I217	140581.00		LM24722	17	K1301	120063.00			59
I220	120130.00		LM24710	16	K1305	100599.00		LM24277	61
I221	120036.00		LM24712	17	K1306	100600.00		LM24879	61
I223	131549.00		LM24717	17	K1307	100601.00		LM24880	
I223A	131549.00		LM24717	17	K1308	100602.00		LM24267	61
I224	140684.00		LM24719	17	K1311	114218.00			61
I225	140685.00		LM24721	17	K1316	110163.00		LM24128	65
I305	131853.00			23	K1317	112378.00		LM24153	65
I314	131631.00			27	K1318	120097.00			65
I314	131857.00			27	K1322	102922.00		LM24114	69
I506	121914.00			101	K136	110478.00			13
I508	121915.00			101	K1491	110451.00		LM24084	66
I512	121916.00			101	K1492	113026.00		LM24097	45
I514	121917.00			101	K1494	116768.00			259
I700	121507.00	C48		17	K151	101646.00		LM24929	43
I704	131855.00			17	K152	113633.00			13
I707	110400.00	F05	LM24497	16	K153	102864.00		LM24736	24
J009	100204.00			113	K154	101079.00		LM24107	43
J013	100205.00			113	K155	110441.00		LM24931	43
J017	100722.00			113	K160	110313.00		LM24133	43
J019	110288.00			113	K161	110034.00		LM24075	43
J021	110289.00			113	K163	110145.00		LM24094	44
J023	110280.00			113	K165	113933.00		LM24159	44
J034	100207.00			113	K166	110745.00		LM24144	44
J035	100208.00			113	K167	110444.00		LM24118	44
J036	100723.00			113	K2033	G120038.00		LM24125	66
J037	110292.00			113	K2033	G120178.00			213
J038	110293.00			113	K2045	G120330.00			258
J039	110286.00			113	K2046	120332.00			259
J041	102199.00			115	K2055	G121652.00			134
J042	101776.00			115	K2068	116646.00			134
J043	101638.00			115	K2088	121929.00			71
J044	114203.00			115	K2104	111938.00			101
J045	114202.00			115	K2115	111941.00	C01 P01		101
J046	114201.00			115	K216	100056.00	F02	LM24911	59
J048	102199.00	F02		115	K217	102198.00	F02		115
J049	101776.00	F02		115	K218	100378.00	F02	LM24914	59
J049	113028.00			116	K219	116707.00			23
J050	101775.00	F02		115	K220	110111.00		LM24916	59
J050	113029.00			116	K221	101638.00	F02		115
J051	113030.00			116	K222	110437.00		LM24919	59
J051	114203.00			115	K223	113891.00			115
J052	113031.00			116	K225	113892.00			115
J052	114202.00			115	K226	114420.00		LM24923	60
J053	113032.00			116	K227	113893.00			115
J053	114201.00			115	K230	114931.00			116
J055	113637.00			114	K232	113281.00			23
J056	113638.00			114	K233	113334.00	P01		22
J057	113957.00			114	K235	103023.00			23
J058	113958.00			114	K236	101651.00	P03 F02	LM24697	23
J059	113959.00			114	K237	101650.00	P03 F02	LM24699	23
J062	113028.00			116	K238	114205.00			116
J064	113030.00			116	K240	114204.00			116
J065	113031.00			116	K244	113894.00		LM24921	60
J066	113032.00			116	K247	103014.00	F02		59
J603	113029.00			116	K248	100048.00	F02	LM24910	59
K000	110426.00		LM24155	33	K250	100050.00	F02	LM24915	59
K004	110029.00		LM24111	33	K251	110043.00		LM24917	59
K009	110429.00		LM24874	34	K252	101767.00	F02	LM24964	65
K016	101544.00		LM24504	7	K253	101769.00	F02	LM24093	65

This information is furnished as a guide only.
Always check specific motor to determine suitability for direct replacement



Marathon to Leeson and Lincoln

Competitor Catalog #	LEESON Catalog #	Exception Code(s) To LEESON	Lincoln Catalog #	LEESON Page #	Competitor Catalog #	LEESON Catalog #	Exception Code(s) To LEESON	Lincoln Catalog #	LEESON Page #
K254	102860.00		LM24083	65	M105	121846.00			
K255	110047.00		LM24077	65	M106	121846.00	K83		
K256	110048.00		LM24080	66	M109	121847.00			
K257	110125.00		LM24112	66	M110	121847.00	K83		
K259	110912.00		LM24079	69	M111	121849.00			
K319	121625.00	F07		173	M112	121849.00	K83		
K319	121645.00				M118	140655.00			
K338	116705.00		LM24748	17	M120	140656.00			
K339	102905.00	F02	LM24706	15	M121	801051.00			
K350	110352.00		LM24534	17	M123	801056.00			
K403	110163.00		LM24128	65	M124	801052.00			
K404	120097.00			65	M125	801057.00			
K406	113890.00			67	M126	801053.00			
K407	112379.00		LM24130	66	M127	801058.00			
K420	101646.00		LM24929	43	M128	801054.00			
K421	101647.00		LM24930	43	M129	801059.00			
K422	100961.00		LM24932	43	M130	801055.00			
K424	110206.00		LM25097	209	M133	801060.00			
K426	110199.00	E01	LM24154	209	M166	140655.00	K85		
K456	114150.00			258	M168	140656.00	K85		
K456	114159.00			259	M301	121850.00			
K458	114147.00			258	M305	121851.00			
K459	114146.00			258	M306	121851.00			
K460	114160.00			259	M307	121853.00			
K461	G121679.00			258	M308	121853.00			
K462	121556.00			259	M309	121852.00			
K469	110176.00			213	M310	121852.00			
K521	110044.00		LM24160	59	M311	121854.00			
K523	110177.00			213	M312	121854.00			
K524	110204.00			213	M313	131562.00			
K526	114149.00			258	M314	131562.00			
K527	100446.00			33	M315	131574.00			
K618	115048.00			27	M316	131574.00			
K619	112135.00		LM24726	26	M317	131563.00			
K622A	G120081.00		LM32791	59	M318	131563.00			
K630	110180.00		LM24727	26	M319	131576.00			
K631	110909.00		LM24539	26	M320	131576.00			
K634A	G120172.00		LM32790	59	M321	140618.00			
K635	110901.00	F03	LM24346	61	M322	140619.00			
K644	115553.00		LM24131	60	M323	131577.00			
K646	110902.00		LM24889	61	M324	131577.00			
K648	116630.00		LM24345	61	M325	140619.00			
K690	116785.00			61	M326	140619.00			
K700	114198.00	B34		70	M327	151380.60			
K748	102197.00	F02		115	M328	151380.60			
K800	110914.00		LM24104	69	M329	151361.60			
K801	110915.00		LM24134	69	M330	151381.60			
K802	120485.00		LM24273	69	M331	151362.60			
K803	110181.00		LM24126	69	M332	151382.60			
K804	110917.00		LM24135	70	M332	151417.60	C02		
K806	116106.00	F02	LM24081	70	M333	151418.60			
KG215	100375.00	F02	LM24909	59	M333	801028.00			
KG219	101637.00	F02		115	M334	151420.60			
KG232	114208.00			116	M334	801040.00			
KG234	114207.00			116	M335	151424.60			
KG236	114206.00			116	M335	801041.00			
L108A	132044.00			9	M351	151422.60			
L409	131478.00				M351	801029.00			
L410	131479.00				M352	151426.60			
L412	151355.22				M352	801030.00			
L413	151356.22				M353	151361.60			
L414	150282.22				M354	151381.60			
L415	150261.22				M358	801042.00			
L416	150263.22				M360	131562.00			
L417	150265.22				M361	131562.00			
L454	151516.60	C09			M362	131574.00			
L455	151516.60				M363	131574.00			
L462	151529.60	C09			M401	121855.00			
L463	151529.60				M402	121856.00			
L467	151530.60	C09			M403	121859.00			
L633	131465.00				M404	121857.00			
L909	G130027.00				M406	131579.00			

DC Motors

Gearmotors

Ac / DC Controls

Accessories / Kits

Mods / Factory Options

X-Ref / Index

Tech Information

Terms / Warnings

Other Products



This information is furnished as a guide only. Always check specific motor to determine suitability for direct replacement

Cross Reference

Marathon to Leeson and Lincoln

Competitor Catalog #	LEESON Catalog #	Exception Code(s) To LEESON	Lincoln Catalog #	LEESON Page #	Competitor Catalog #	LEESON Catalog #	Exception Code(s) To LEESON	Lincoln Catalog #	LEESON Page #
M407	131580.00				N437	191225.00			157
M408	131581.00				N438	G191226.00			157
M409	132027.00				N450	191200.00			156
M411	131583.00				N451	191203.00			156
M414	151569.60				N452	191206.00			156
M415	121858.00				N453	191209.00			156
M416	131582.00				N454	191486.00			156
M417	140764.00				N455	191215.00			156
M417	151567.60				N456	191488.00			156
M418	121860.00				N457	191221.00			156
M420	151568.60				N458	191490.00			156
M421	151570.60				N520	113473.00			134
M422	131579.00				N521	113019.00			134
M423	131580.00				N522	113020.00			134
N042	117286.00			160	N523	114313.00			133
N048	140826.00			160	N524	114314.00			133
N1614	132108.00				N525	114315.00			133
N1614	132198.00			136	N526	114316.00			133
N1615	132200.00			136	N527	114317.00			133
N1656	G131596.00			134	N528	114318.00			133
N302	112428.00			135	N529	114319.00			133
N302	112627.00	E02		135	N530	114310.00			133
N305	112427.00	E02		135	N531	114311.00			133
N306	112428.00	E02		135	N532	114312.00			133
N307	112427.00	E02		135	N540	113582.00			133
N308	112428.00	E02		135	N541	112528.00			133
N309	112627.00	E02		135	N542	113583.00			133
N310	121865.00			135	N543	112529.00			133
N310	G120585.00	E02			N544	113584.00			133
N311	G120858.00	E02			N545	113300.00			133
N312	121866.00			135	N556	113580.00			133
N312	G120586.00				N557	112526.00			133
N313	115751.00			135	N558	113581.00			133
N314	132196.00			135	N559	112527.00			133
N314	G130662.00				N564	112523.00	E02		136
N315	G131775.00				N566	113588.00			136
N315A	132202.00			135	N567	112483.00			136
N316	G130662.00				N567	113586.00			136
N316B	132197.00			135	N567	113588.00			136
N317	G131776.00				N568	115743.00			136
N317A	132203.00			135	N569	113589.00			136
N318	140819.00			135	N587	112643.00			136
N318	G140280.00				N588	112644.00			136
N319	140820.00			135	N589	121039.00			136
N319	G140281.00				N591	113588.00			136
N321	121869.00			135	N592	113589.00			136
N332	112427.00			135	N593	113587.00			136
N400	115633.00				N595	112524.00			136
N400	117266.00			160	N595	113589.00			136
N401	115634.00				N596	113591.00			136
N401	117267.00			160	N599	113587.00			136
N4017	132208.00			160	N600	115744.00			136
N402	115635.00			160	N601	113589.00			136
N403	121419.00				N601	113590.00			136
N403	121873.00			160	N602	112524.00			136
N405	121875.00			160	N603	G120587.00	E02		
N406	132206.00			160	N604	115745.00			136
N409	140828.00			160	N605	113591.00			136
N410	191201.00			156	N606	112643.00			136
N411	191204.00			156	N607	121871.00			136
N412	191207.00			156	N608	115746.00			136
N413	191291.00			156	N609	113592.00			136
N414	191487.00			156	N610	121039.00			136
N415	191217.00			156	N611	112644.00			136
N417	191223.00			156	N612	121868.00			136
N418	191491.00			156	N612	G120588.00			
N430	191202.00			157	N613	121870.00			136
N431	191205.00			157	N613	G120911.00			
N432	191208.00			157	N614	G130664.00			
N433	191213.00			157	N615	G131167.00			
N434	G191214.00			157	N616	132201.00			136
N435	191219.00			157	N616	G131171.00			

This information is furnished as a guide only.
Always check specific motor to determine suitability for direct replacement



Marathon to Leeson and Lincoln

Competitor Catalog #	LEESON Catalog #	Exception Code(s) To LEESON	Lincoln Catalog #	LEESON Page #	Competitor Catalog #	LEESON Catalog #	Exception Code(s) To LEESON	Lincoln Catalog #	LEESON Page #
N617	141120.00			136	R310	192041.00			266
N617	G131165.00				R311	192042.00			266
N618	140822.00			136	R312	192050.00			266
N618	G140466.00				R313	192051.00			266
N619	140821.00			136	R314	192052.00			
N619	G140464.00				R314A	192200.00			266
N620	112520.00			136	R315	192060.00			266
N620	112547.00	E02		136	R316	192061.00			
N621	112521.00			136	R316A	192202.00			266
N623	112484.00			136	R318	192070.00			
N626	121867.00			136	R318A	192208.00			266
N627	112522.00			136	R319	192071.00			
N628	112547.00			136	R319A	192205.00			266
N640	113649.00			134	R320	193072.60			
N641	113954.00			134	R320A	193300.60			266
N641	116642.00			134	R321	192080.00			
N642	113473.00			134	R321A	192209.00			266
N643	113022.00			134	R322	193081.60			
N644	113019.00			134	R322A	193301.60			266
N645	113023.00			134	R323A	193302.60			266
N646	113020.00			134	R324	193100.60			
N647	120760.00			134	R324A	193306.60			266
N648	113024.00			134	R325	193101.60			
N649	113021.00			134	R325A	193307.60			266
N649	113024.00			134	R326	193102.60			
N650	120761.00			134	R326A	193308.60			266
N651	113593.00			134	R327	193110.60			
N652	121040.00			134	R327A	193309.60			266
N653	114616.00			134	R328	193111.60			
N654	120762.00				R328A	193310.60			266
N655	120987.00				R329	193112.60			
N655	G120987.00				R329A	193311.60			266
N656	131596.00				R330	193120.60			
N657	131595.00				R330A	193312.60			266
N657B	G131595.00			134	R331	193121.60			
N658	131597.00				R332	193122.60			
N658B	G131597.00			134	R332A	193314.60			266
N659	131594.00				R333	193130.60			
N659	G131594.00			134	R333A	193315.60			266
N660	140467.00				R334	193131.60			
N660	G140467.00			134	R334A	193316.60			266
N661	140465.00				R335	193132.60			
N661	G140465.00			134	R335A	193317.60			266
N680	112431.00			133	R336	193140.60			
N681	112432.00			133	R336A	193318.60			266
N682	112626.00			133	R337	193141.60			
N684	131571.00			133	R337A	192213.00			268
P001	102197.00			115	R337A	193319.60			266
P002	102198.00			115	R338	193142.60			
P101	110446.00			65	R338A	193320.60			266
P102	114176.00		LM24138	65	R339	193150.60			
P102	114931.00			116	R339A	193321.60			266
P103	110448.00		LM24151	65	R340	193151.60			
P103	114208.00			116	R340A	193322.60			266
P104	110112.00		LM24139	66	R341	193152.60			
P104	114207.00			116	R341A	193323.60			266
P105	110192.00		LM24096	66	R342	193160.60			
P105	114206.00			116	R342A	193324.60			266
P106	111273.00		LM24132	66	R343	193161.60			
P106	114205.00			116	R343A	193325.60			266
P107	111630.00		LM24975	67	R344	193162.60			
P107	114204.00			116	R344A	193326.60			266
R300	192010.00			266	R345	193170.60			
R301	192011.00			266	R345A	193327.60			266
R302	192012.00			266	R346	193171.60			
R303	192020.00			266	R346A	193328.60			266
R304	192021.00			266	R347	193172.60			
R305	192022.00			266	R347A	193329.60			266
R306	192030.00			266	R348	193180.60			
R307	192031.00			266	R348A	193330.60			266
R308	192032.00			266	R349	193181.60			
R309	192040.00			266	R349A	193331.60			266

DC Motors

Gearmotors

Ac / DC Controls

Accessories / Kits

Mods / Factory Options

X-Ref / Index

Tech Information

Terms / Warnings

Other Products



This information is furnished as a guide only. Always check specific motor to determine suitability for direct replacement

Cross Reference

Marathon to Leeson and Lincoln

Competitor Catalog #	LEESON Catalog #	Exception Code(s) To LEESON	Lincoln Catalog #	LEESON Page #	Competitor Catalog #	LEESON Catalog #	Exception Code(s) To LEESON	Lincoln Catalog #	LEESON Page #
R350	193182.60				RB106	MST1202.00			
R350A	193332.60			266	RB302	MK1052.00			
R351A	193303.60			266	RB303	MK1072.00			
R352A	193304.60			266	RB304	MK1102.00			
R353A	193305.60			266	RB305	MK1152.00			
R360	192017.00			268	RB306	MK1202.00			
R361	192018.00			268	RB502	MT1052.00			
R362	192019.00			268	RB503	MT1072.00			
R363	192027.00			268	RB504	MT1102.00			
R364	192028.00			268	RB505	MT1152.00			
R365	192029.00			268	RB506	MT1202.00			
R366	192037.00			268	S003	101423.00	P02 C09	LM24458	7
R367	192038.00			268	S006	100006.00	C09	LM24570	7
R368	192039.00			268	S010	100006.00	C09	LM24570	7
R369	192047.00			268	S011	100116.00	C09		7
R370	192048.00			268	S012	100007.00	C09	LM24551	7
R371	192049.00			268	S013	100002.00	C09	LM24552	7
R372	192057.00			268	S014	100008.00	C09	LM24502	7
R373	192058.00			268	S022	100007.00	C09	LM24551	7
R3736A	192204.00			268	S025	100115.00	C09		7
R374A	192212.00			268	S026	100116.00	C09		7
R375	192067.00			268	S027	100002.00	C09	LM24552	7
R378	192207.00			268	S030	100588.00		LM24550	7
R379A	192214.00			268	S033	100004.00		LM24553	7
R380	192014.00			267	S036	100005.00			7
R381	192015.00			267	S037	110004.00		LM24580	8
R382	192016.00			267	S038	110000.00		LM24581	8
R383	192024.00			267	S039	110167.00		LM24582	8
R384	192025.00			267	S102	100111.00	P01 C09		13
R385	192026.00			267	S103	100111.00	C09		13
R386	192034.00			267	S106	100014.00	C09		13
R387	192035.00			267	S110	100014.00	C09		13
R388	192036.00			267	S111	101015.00	C09		13
R389	192044.00			267	S112	100015.00	C09		13
R390	192045.00			267	S113	100064.00	C09		13
R391	192046.00			267	S114	100016.00			13
R392	192054.00			267	S115	100065.00	C09		13
R393	192055.00			267	S116	113027.00			13
R394A	192201.00			267	S117	110054.00			13
R395	192064.00			267	S118	100111.00	C09 P01		13
R396A	192203.00			267	S119	100111.00	C09		13
R397A	192210.00			267	S120	100015.00	C09		13
R398	192206.00			267	S126	100111.00	C09		13
R399A	192211.00			267	S127	101015.00	C09		13
R400	192088.00			269	S128	100064.00	C09		13
R401	192089.00			269	T014	110108.00		LM24744	16
R403	192097.00			269	T016	110142.00		LM24745	16
R404	192098.00			269	T018	110109.00		LM24532	16
R406	192106.00			269	T019	110402.00		LM24534	17
R407	192107.00			269	T031	120341.00		LM24714	17
R409	192115.00			269	U004	825086.00			103
R410	192116.00			269	U004	G158362.00			
R412	192124.00			269	U005	G158366.00			
R413	192125.00			269	U005A	825087.00			103
R415	192133.00			269	U006	G158157.00			
R416A	192230.00			269	U007	G158140.00			
R418A	192231.00			269	U007A	825091.00			103
R419A	192232.00			269	U008	G158001.00			
R421A	192233.00			269	U009	G158010.00			
R422A	193379.60			269	U010	G825047.00			
R424A	193382.60			269	U011	G825041.00			
R425A	193383.60			269	U012	G825043.00			
R427	193384.60			269	U013	G825045.00			
R428A	193385.60			269	U014	G825002.00			
R430	193386.60			269	U015	G825005.00			
R431A	193387.60			269	U016	G825008.00			
R451A	193380.60			269	U017	G825011.00			
R452A	193381.60			269	U018	G825014.00			
RB102	MST1052.00				U019	G825017.00			
RB103	MST1072.00				U056	G158001.00			
RB104	MST1102.00				U057	G158010.00			
RB105	MST1152.00				U061	G158319.00			

This information is furnished as a guide only. Always check specific motor to determine suitability for direct replacement



Cross Reference

Marathon to Leeson and Lincoln

Competitor Catalog #	LEESON Catalog #	Exception Code(s) To LEESON	Lincoln Catalog #	LEESON Page #	Competitor Catalog #	LEESON Catalog #	Exception Code(s) To LEESON	Lincoln Catalog #	LEESON Page #
U061A	825086.00			103	U271	170150.60		LM13947	37
U062	G158158.00				U272	170255.60		LM13815	37
U062A	825088.00			103	U273	170259.60		LM13816	37
U063	G158159.00				U274	171576.60		LM13818	37
U063A	825090.00			103	U275	171577.60		LM16239	37
U064	G158000.00				U301	G121855.00			122
U065	G825039.00				U304A	G121858.00			122
U066	G825046.00				U307	G121856.00			122
U067	G825040.00				U310A	G121859.00			122
U068	G825042.00				U313A	G121857.00			122
U069	G825044.00				U319A	G131579.00			122
U070	G825001.00				U322A	G131580.00			122
U071	G825004.00				U325A	G131581.00			122
U072	G825007.00				U329	G132027.00			122
U073	G825010.00				U334	G140622.00			122
U073A	825110.00			103	U337	G141122.00			122
U074	G825013.00				U340	G140623.00			122
U075	G825016.00				U344	G151567.60			122
U075A	825114.00			103	U348	G151568.60			122
U086	G825014.00				U351	G151569.60			122
U087	G825017.00				U354	G151570.60			122
U103	G151382.60			121	U357	G140764.00			122
U106	G801028.00			121	U360	G131582.00			122
U109A	G801040.00			121	U363	G121860.00			122
U112	G801029.00			121	U366	G151746.60			123
U114	G801041.00			121	U402	G131249.00			
U116	G801030.00			121	U402B	132242.00		LM32773	62
U118	G801042.00			121	U403	G130327.00			
U1248	131986.00		LM32734	35	U403A	132082.00		LM32774	62
U1249	131988.00		LM32737	35	U404	G131250.00			
U1266	131971.00			34	U404B	132244.00		LM32776	62
U1267	131972.00			34	U405	G140589.00			
U135A	G121846.00			119	U405	G150170.60	C02		
U147A	G121847.00			119	U405A	140767.00		LM32666	62
U153	G121849.00			119	U405A	171690.60	F16	LM15573	63
U159A	G131882.00			119	U427	131500.00			
U165A	G131884.00			119	U429	131547.00			
U171A	G131883.00			119	U432	G140692.00			
U1779	170025.60		LM14813	36	U432	G150171.60	C02		
U177A	G131885.00			119	U432A	141111.00		LM32778	62
U1782	170044.60		LM13945	37	U433	G140146.00			
U1783	170029.60		LM14815	37	U433A	140768.00		LM32649	62
U1784	170151.60		LM14814	37	U435	141119.00			62
U183	G140667.00			119	U435	G140693.00			
U189A	G140655.00			119	U435	G150173.60	C02		
U1928	170148.60		LM13927	36	U436	G150175.60	C02		
U195	G140668.00			119	U436A	170175.60		LM32781	62
U201A	G140656.00			119	U437	170070.60	C02	LM32782	62
U207	G801051.00			119	U437	G150070.60	C02		
U213	G801056.00			119	U438	G150071.60	C02		
U219	G801052.00			119	U439	G151688.60	C02		
U219	G801056.00			119	U439A	171688.60		LM32784	63
U225	G801057.00			119	U440	G150023.60	C02		
U228A	G801053.00			119	U440A	170073.60		LM31245	63
U231	G801058.00			119	U442	G151377.60	C02		
U234	G801054.00			119	U442A	171377.60	F34	LM31246	63
U236	G801059.00			119	U444	G151378.60	C02		
U238	G801055.00				U444A	170378.60	F35	LM13837	63
U240	G801060.00			119	U446	G151379.60	C02		
U245	121514.00		LM32727	34	U446A	170379.60	F14	LM13839	63
U246	121515.00		LM33137	34	U448	G151689.60			
U247	121516.00		LM32731	34	U448A	171689.60	F15	LM15570	63
U250	170154.60		LM13942	37	U450	G151690.60			
U251	171449.60	C02	LM13945	37	U452	G151691.60			
U252	171573.60		LM13819	37	U452A9	171691.60	F23	LM17387	63
U254	170145.60		LM32738		U602	G130099.00			
U255	170146.60		LM32742	35	U604	171624.60	F06		210
U256	170067.60		LM31244		U605	131465.00			
U257	170000.60		LM30273		U607	G151320.60			
U268	171574.60		LM32733	34	U607A	131463.00		LM32741	45
U269	171575.60		LM32735	35	U608	131460.00			
U270	170149.60		LM13944	36	U608	132253.00		LM16384	210

DC Motors

Gearmotors

Ac / DC Controls

Accessories / Kits

Mods / Factory Options

X-Ref / Index

Tech Information

Terms / Warnings

Other Products



This information is furnished as a guide only. Always check specific motor to determine suitability for direct replacement

Cross Reference

Marathon to Leeson and Lincoln

Competitor Catalog #	LEESON Catalog #	Exception Code(s) To LEESON	Lincoln Catalog #	LEESON Page #	Competitor Catalog #	LEESON Catalog #	Exception Code(s) To LEESON	Lincoln Catalog #	LEESON Page #
U609	131460.00				U704	G121287.00			
U610A	171378.60		LM60027	45	U707	G120276.00			
U613	G150299.60				U710	G130326.00			
U614	131552.00				U713	G130328.00			
U614	132254.00		LM16386	210	U716	G140183.00			
U615	131552.00	C01			U719	G140147.00			
U616	131466.00				U722	G150102.60	C02		
U618	G151322.60				U724	G150080.60	C02		
U618A	131464.00		LM15650	46	U725	171591.60		LM62035	72
U618A	171322.60		LM24195	46	U725	G150081.60			
U619	131461.00				U726	G150082.60			
U619	132255.00		LM17067	210	U727	171593.60		LM62041	73
U620	131461.00	C01			U727	G150083.60			
U621	G140126.00	C01			U728	G150084.60			
U621A	171379.60		LM15883	46	U729	G150085.60			
U6239A	140451.00		LM32809	47	U730	G150086.60			
U624	170158.60		LM15878	46	U731	G151680.60			
U624	G131774.00	C01			U733	G121290.00			
U624A	170158.60		LM15878	46	U735	113927.00		LM24121	70
U625	121517.00		LM24872	33	U739	G151446.60	C02		
U625	150196.60				U741	G131774.00			
U625B	170007.60		LM24207	47	U744	G140696.00			
U627	131467.00				U744	G150168.60	C02		
U629A	170157.60		LM24209	46	U746	G150103.60	C02		
U630	141116.00		LM16391	210	U748	G150079.60	C02		
U632	G150122.60	C02			U749	171590.60		LM32659	72
U633	G150122.60				U749	G150106.60			
U633	G150157.60				U750	170108.60		LM16773	73
U633A	170122.60		LM15892	46	U750	171591.60		LM62035	72
U636	G150159.60				U750	G150108.60			
U636A	170159.60		LM15861	47	U751	G120428.00			
U637	150197.60				U753	G131497.00			
U637	170197.60		LM16394	210	U754	G140602.00			
U638	150198.60				U755	G140482.00			
U638	170198.60		LM17075	211	U756	G150138.60	C02		
U639	G150140.60				U757	G150139.60	C02		
U639A	170140.60		LM60036	47	U758	121003.00		LM24871	33
U640	150212.60	C02			U759	121004.00		LM24875	34
U641	150212.60				U760	121005.00		LM24169	34
U641	170212.60		LM17073	210	U761	131519.00		LM24222	34
U642	G150123.60				U762	131520.00		LM24202	35
U642A	170123.60		LM15675	47	U763	140470.00	C01	LM24194	35
U644	G150062.60				U763	170142.60			35
U644A	170062.60		LM15890	47	U764	140753.00	C01	LM32740	35
U645	150198.60	C02			U764	170143.60			35
U647	G150066.60				U765	140472.00	C01	LM24193	35
U647B	170066.60		LM24208	47	U765	170144.60			35
U648	150116.60				U766	140754.00	C01	LM32743	35
U648	170116.60		LM16400	211	U766	170064.60			35
U649	G150033.60				U767	170065.60		LM24190	35
U649A	170033.60		LM15673	47	U768	170032.60		LM32745	35
U650	150199.60				U769	170006.60		LM24199	35
U650	170199.60		LM16403	211	U770	170034.60		LM32747	36
U652	G150007.60				U771	170009.60		LM29576	36
U653	150117.60				U772	170036.60		LM32687	36
U653	170117.60		LM15919	211	U773	170013.60		LM29577	36
U654	150224.60				U774	170038.60		LM13969	36
U654	170224.60		LM16406	211	U775	170017.60		LM13811	36
U659	150121.60				U776	170040.60		LM13812	36
U659	170121.60		LM14411	211	U777	170021.60		LM13813	36
U660	150239.60				U778	170042.60		LM13814	36
U660	170239.60		LM18369	212	U779	170025.60		LM14813	36
U661	150253.60				U780	170142.60	C02		35
U663	G151370.60				U781	170144.60	C02		35
U668	131466.00				U782	170044.60		LM13945	37
U669	G150352.60				U783	170029.60		LM14815	37
U670	G140687.00				U784	170151.60		LM14814	37
U670	G151317.60	C02			U798	170002.60		LM13809	
U671	150196.60				U799	170004.60		LM13810	36
U671	170196.60		LM16389	210	U830	170110.60		LM13725	73
U701	G121286.00				U834	170112.60		LM13727	73

This information is furnished as a guide only.
Always check specific motor to determine suitability for direct replacement



Cross Reference Marathon to Leeson and Lincoln

Competitor Catalog #	LEESON Catalog #	Exception Code(s) To LEESON	Lincoln Catalog #	LEESON Page #	Competitor Catalog #	LEESON Catalog #	Exception Code(s) To LEESON	Lincoln Catalog #	LEESON Page #
U903	150253.60	E02			X024	100699.00			174
U927	170147.60		LM13924	36	X024	100803.00		LM2447	174
U930	111922.00	C01		101	X025	100700.00			174
U932	G120489.00	C01			X025	100804.00		LM24448	174
U933	G120490.00	C01			X026	100701.00			174
U935	G120491.00	C01			X026	111323.00			174
U936	G120391.00	C01			X027	100824.00		LM24442	174
U938	G120387.00	C01			X028	100825.00		LM24443	174
U939	G158362.00				X029	101645.00		LM24444	174
U941	G158319.00				X029	111321.00			174
U942	G158366.00				X030	100699.00			174
U944	G158158.00				X030	100803.00		LM2447	174
U945	G158157.00				X031	100700.00			174
U947	G158159.00				X031	100804.00		LM24448	174
U948	G158140.00				X032	111323.00			174
U950	G158000.00				X500	116772.00	S14		194
U951	G158001.00				X501	116773.00	S14		194
U953	G825039.00				X513	115778.00			194
U954	G158010.00				X523	115779.00			194
U956	G825046.00				X902	111330.00			178
U957	G825047.00				X909	101341.00			181
U959	G825040.00				X920	191872.00			196
U960	G825041.00				X921	191871.00			196
U962	G825042.00				X922	191873.00			196
U963	G825043.00				X923	191891.00			196
U965	G825044.00				X924	191892.00			196
U966	G825045.00				X925	191893.00			196
U968	G825001.00				Y1303	131850.00		LM24784	177
U969	G825002.00				Y302	131849.00		LM24783	177
U971	G825004.00				Y303	131850.00		LM24784	177
U972	G825005.00				Y304	140641.00		LM24785	177
U974	G825007.00				Y509	810066.00		LM06135	78
U975	G825008.00				Y510	810007.00			78
U977	G825010.00				Y525	810548.00		LM26359	77
U978	G825011.00				Y526	810546.00		LM06113	77
U980	G825013.00				Y527	811320.00		LM06119	77
U981	G825014.00				Y533	811530.00			78
U983	G825016.00				Y564	811322.00			77
U984	G825017.00				Y569	810011.00			78
U991A	825089.00			103	Y573	810027.00			78
W501	811541.00			89	Y574	810031.00			78
W505	811542.00			89	Y575	810087.00			78
W507	811543.00			89	Y576	811369.00		LM03516	78
W511	811544.00			89	Y577	811371.00		LM03564	78
W513	811545.00			89	Y578	810503.00		LM3596	78
W517	811546.00			89	Y580	811529.00			78
W519	811547.00			89	Y582	810001.00			78
W523	811548.00			89	Y590	810547.00		LM26233	77
W525	811549.00			89	Y595	810157.00		LM06131	77
W530	811550.00			89	Y965	G120587.00	E02		
W532	811551.00			89	Y967	G120588.00			
W533	811557.00			89	Y972	120761.00			134
W537	811552.00			89	Y973	120762.00			
W539	811553.00			89	Z112A	131541.00		LM24796	171
W544	811554.00			89	Z113A	131542.00		LM24801	171
W546	811555.00			89	Z115	140209.00		LM24804	173
W551	811556.00			89	Z116	140414.00		LM24805	173
W558	811558.00			89	Z117	140203.00			173
W560	811559.00			89	Z117	140223.00		LM24803	173
W565	811560.00			89	Z118	113938.00		LM24795	171
W567	811561.00			89	Z119	131541.00		LM24796	171
W571	811562.00			89	Z119A	M009090.00			182
W573	811563.00			89	Z120	131542.00		LM24801	171
W577	811564.00			89	Z120A	131542.00		LM24801	171
W580	811564.00			89	Z121	131543.00		LM24798	171
W584	811566.00			89	Z121A	131543.00		LM24798	171
W587	811567.00			89	Z122	140130.00			173
W591	811568.00			89	Z122	140707.00		LM24799	171
W594	811569.00			89	Z123	121569.00		LM24793	171
W598	811570.00			89	Z128	110090.00			171
W600	811571.00			89	Z305	131847.00			177

DC Motors

Gearmotors

Ac / DC Controls

Accessories / Kits

Mods / Factory Options

X-Ref / Index

Tech Information

Terms / Warnings

Other Products



This information is furnished as a guide only. Always check specific motor to determine suitability for direct replacement

Cross Reference

Marathon to Leeson and Lincoln

Competitor Catalog #	LEESON Catalog #	Exception Code(s) To LEESON	Lincoln Catalog #	LEESON Page #
Z305A	131847.00			177
Z307A	131848.00		LM24780	177
Z308	140640.00		LM24782	177
Z313	131848.00		LM24780	177
Z315	140640.00		LM24782	177
Z401	120996.00			120
Z403	120994.00			120
Z404	121190.00			120
Z405	132073.00			120
Z405A	132073.00			120
Z406	131640.00			120
Z406A	131640.00			120
Z407	131604.00			120
Z407A	131604.00			120
Z408	131641.00			120
Z408A	131641.00			120
Z409	131605.00			120
Z410	140642.00			120
Z411	140665.00			120
Z412	140644.00			120
Z413	140666.00			120
Z427	131589.00			
Z427A	131881.00			119
Z429	140646.00			119
Z431	140647.00			119
Z502	131534.00		LM24680	9
Z506	131537.00		LM24682	9
Z602	098002.00			282
Z603	098003.00			282
Z604	098004.00			282
Z605	098005.00			282
Z606	098000.00			282
Z607	098008.00			282
Z608	108014.00			282
Z609	108015.00			282
Z610	098032.00			282
Z610	108018.00			282
Z611	098069.00			282
Z611	108019.00			282
Z612	108022.00			282
Z613	108023.00			282
Z614	108092.00			282
Z615	108262.00			282
Z615	128000.00			282
Z616	128010.00			282
Z617	128001.00			282
Z619	108502.00			282
Z630	108423.00			142
Z631	108424.00			142
Z634	108226.00			142
Z635	108227.00			142
Z636	108228.00			142
Z637	108229.00			142
Z638	108230.00			142
Z639	108231.00			142
Z641	108232.00			142
Z652	118015.00			284
Z654	118016.00			284
Z655	118017.00			284
Z656	118018.00			284
Z657	118019.00			284
Z660	108045.00			292
Z662	108046.00			292
Z663	108050.00			292
Z664	108047.00	F02		292
Z665	108051.00			292
Z667	108052.00			292
Z669	108053.00			292

This information is furnished as a guide only.
Always check specific motor to determine suitability for direct replacement



W.W. Grainger / Dayton to Leeson and Lincoln

Competitor Catalog #	LEESON Catalog #	Exception Code(s) To LEESON	Lincoln Catalog #	LEESON Page #	Competitor Catalog #	LEESON Catalog #	Exception Code(s) To LEESON	Lincoln Catalog #	LEESON Page #
4FM53	170019.60	C44	LM13699	49	4N915	170033.60		LM15673	47
4FN19	170019.60	C44	LM13699	49	4N942	170033.60		LM15673	47
4N954	170019.60		LM13699	49	5N258	170033.60		LM15673	47
4N972	170019.60		LM13699	49	5N818	170033.60		LM15673	47
4N973	170019.60	F14	LM13699	49	4FM39	170123.60	C44	LM15675	47
5N268	170019.60		LM13699	49	4FN76	170123.60		LM15675	47
5N828	170019.60		LM13699	49	4N990	170123.60		LM15675	47
5N844	170260.60		LM13705	50	5N004	170123.60		LM15675	47
5N846	170371.60		LM13707	51	5N254	170123.60		LM15675	47
5N290	170002.60		LM13809		5N814	170123.60		LM15675	47
5N325	170002.60	C02	LM13809		4FM47	170011.60	C44	LM15792	48
5N328	170004.60	C02	LM13810	36	4N952	170011.60		LM15792	48
3KW58	170017.60		LM13811	36	4N988	170011.60		LM15792	48
5N348	171522.60		LM13817	37	5N262	170011.60		LM15792	48
5N351	171523.60		LM13820	37	5N782	170011.60		LM15792	48
5N945	171523.60		LM13820	37	5N822	170011.60		LM15792	48
4FM54	170096.60	C44	LM13918	49	4FM42	170068.60	C44	LM15793	47
4N995	170096.60		LM13918	49	4N991	170068.60		LM15793	47
5N269	170096.60		LM13918	49	5N005	170068.60		LM15793	47
5N829	170096.60		LM13918	49	5N257	170068.60		LM15793	47
5N331	170147.60		LM13924	36	5N817	170068.60		LM15793	47
5N923	170147.60	C02	LM13924	36	4FM45	170001.60	C44	LM15796	47
5N334	170148.60		LM13927	36	4N992	170001.60		LM15796	47
5N926	170148.60		LM13927	36	5N006	170001.60		LM15796	47
4N997	170098.60		LM13938	49	5N260	170001.60		LM15796	47
5N275	170098.60		LM13938	49	5N820	170001.60		LM15796	47
5N835	170098.60		LM13938	49	4FM37	170159.60	C44	LM15861	47
4N920	170160.60		LM13939	50	4FN74	170159.60		LM15861	47
5N279	170160.60		LM13939	50	4N913	170159.60		LM15861	47
5N839	170160.60		LM13939	50	4N940	170159.60		LM15861	47
5N342	170152.60		LM13943	37	5N253	170159.60		LM15861	47
5N934	170152.60		LM13943	37	5N812	170159.60		LM15861	47
5N345	170155.60		LM13946	37	4FM34	170158.60	C44	LM15878	46
5N938	170155.60		LM13946	37	4FN71	170158.60		LM15878	46
4FM46	170035.60	C44	LM13960	48	5N055	170158.60		LM15878	46
4N916	170035.60		LM13960	48	5N057	170158.60		LM15878	46
4N943	170035.60		LM13960	48	5N251	170158.60		LM15878	46
5N261	170035.60		LM13960	48	5N809	170158.60		LM15878	46
5N821	170035.60		LM13960	48	5N808	171379.60		LM15883	46
4FM50	170015.60	C44	LM13964	48	4FM40	170062.60	C44	LM15890	47
4N953	170015.60		LM13964	48	4FN77	170062.60		LM15890	47
4N989	170015.60		LM13964	48	4N914	170062.60		LM15890	47
5N265	170015.60		LM13964	48	4N941	170062.60		LM15890	47
5N783	170015.60		LM13964	48	5N255	170062.60		LM15890	47
5N825	170015.60		LM13964	48	5N815	170062.60		LM15890	47
3KW57	170038.60		LM13969	36	4FM36	170122.60	C44	LM15892	46
4FM58	170043.60	C44	LM14808	49	4FN73	170122.60		LM15892	46
4N947	170043.60		LM14808	49	5N061	170122.60		LM15892	46
5N273	170043.60		LM14808	49	5N062	170122.60		LM15892	46
5N833	170043.60		LM14808	49	5N252	170122.60		LM15892	46
4FM59	170027.60	C44	LM14809	49	5N811	170122.60		LM15892	46
4FM60	170027.60	C44 F15	LM14809	49	2G691	140450.00	C01	LM16029	46
4N976	170027.60		LM14809	49	4FN72	140450.00	C01	LM16029	46
4N977	170027.60	F15	LM14809	49	5N849	170352.60		LM16230	51
5N274	170027.60		LM14809	49	4FM52	170039.60	C44	LM19749	49
5N834	170027.60		LM14809	49	4N918	170039.60		LM19749	49
4FM62	170045.60	C44	LM14810	50	4N928	170039.60	S05	LM19749	49
4N948	170045.60		LM14810	50	4N945	170039.60		LM19749	49
5N276	170045.60		LM14810	50	5N267	170039.60		LM19749	49
5N836	170045.60		LM14810	50	5N827	170039.60		LM19749	49
4FM63	170031.60	C44	LM14811	50	4FM56	170023.60	C44	LM19753	49
4FM64	170031.60	C44 F16	LM14811	50	4N955	170023.60		LM19753	49
4N978	170031.60		LM14811	50	4N974	170023.60		LM19753	49
4N979	170031.60	F16	LM14811	50	4N975	170023.60	F14	LM19753	49
5N277	170031.60		LM14811	50	5N271	170023.60		LM19753	49
5N837	170031.60		LM14811	50	5N831	170023.60		LM19753	49
6FN65	131985.00	C01	LM15646	45	4FM57	170097.60	C44	LM19754	49
5N799	131980.00	C01	LM15648	44	4N996	170097.60		LM19754	49
4FN68	131987.00	C01	LM15649	46	5N272	170097.60		LM19754	49
5N802	131981.00	C01	LM15651	45	5N832	170097.60		LM19754	49
4FM43	170033.60	C44	LM15673	47	4N980	170087.60		LM19762	50
4FN79	170033.60		LM15673	47	4N981	170087.60	F17	LM19762	50

DC Motors

Gearmotors

Ac / DC Controls

Accessories / Kits

Mods / Factory Options

X-Ref / Index

Tech Information

Terms / Warnings

Other Products



This information is furnished as a guide only. Always check specific motor to determine suitability for direct replacement

Cross Reference

W.W. Grainger / Dayton to Leeson and Lincoln

Competitor Catalog #	LEESON Catalog #	Exception Code(s) To LEESON	Lincoln Catalog #	LEESON Page #	Competitor Catalog #	LEESON Catalog #	Exception Code(s) To LEESON	Lincoln Catalog #	LEESON Page #
5N280	170087.60		LM19762	50	3N418	100028.00		LM24152	33
5N840	170087.60		LM19762	50	3N527	100028.00		LM24152	33
2N865	100913.00		LM24073	43	3N640	100028.00		LM24152	33
3N536	100913.00		LM24073	43	1Z972	112378.00		LM24153	65
2N866	110034.00		LM24075	43	3N532	110426.00		LM24155	33
3N352	110034.00		LM24075	43	3GC39	113933.00		LM24159	44
3N538	110034.00		LM24075	43	3N875	110044.00		LM24160	59
3N873	110916.00		LM24076	69	3KW31	121005.00		LM24169	34
2N924	110047.00	C46	LM24077	65	5N786	121005.00		LM24169	34
3N688	110047.00		LM24077	65	3KW46	170065.60		LM24190	35
3N017	110035.00		LM24078	44	5N791	170065.60	C02	LM24190	35
3N285	110035.00		LM24078	44	5N315	140472.00		LM24193	35
3N540	110035.00		LM24078	44	5N312	140470.00		LM24194	35
3N446	110912.00		LM24079	69	4FM32	171322.60	C44	LM24195	46
3N087	110048.00		LM24080	66	4FN69	171322.60		LM24195	46
3N689	110048.00		LM24080	66	5N046	171322.60		LM24195	46
2N916	102860.00	C46	LM24083	65	5N048	171322.60		LM24195	46
3N687	102860.00		LM24083	65	5N297	171322.60		LM24195	46
3N266	110451.00		LM24084	66	5N777	171322.60		LM24195	46
3N317	110145.00		LM24094	44	5N807	171322.60		LM24195	46
3N541	110145.00		LM24094	44	3KW49	170006.60		LM24199	35
3N562	110145.00		LM24094	44	3N894	170006.60		LM24199	35
3N343	110918.00		LM24095	70	5N321	170006.60		LM24199	35
4LW89	110918.00		LM24095	70	5N792	170006.60	C02	LM24199	35
3N473	110192.00		LM24096	66	3KW37	131520.00		LM24202	35
4N075	110192.00		LM24096	66	5N788	131520.00		LM24202	35
3N486	113026.00		LM24097	45	4FM44	170007.60	C44	LM24207	47
3N419	100029.00		LM24098	33	4FN80	170007.60		LM24207	47
3N528	100029.00		LM24098	33	4N951	170007.60		LM24207	47
3N641	100029.00		LM24098	33	4N971	170007.60		LM24207	47
3N420	100030.00		LM24099	33	5N259	170007.60		LM24207	47
3N529	100030.00		LM24099	33	5N781	170007.60		LM24207	47
3N642	100030.00		LM24099	33	5N819	170007.60		LM24207	47
2Z657	121009.00		LM24103	43	3KV89	170066.60		LM24208	47
2R928	110914.00		LM24104	69	4FM41	170066.60	C44	LM24208	47
2N926	110353.00		LM24105	43	4FN78	170066.60		LM24208	47
3N693	113025.00		LM24106	34	4N950	170066.60		LM24208	47
2N864	101079.00		LM24107	43	4N970	170066.60		LM24208	47
3N536	101079.00		LM24107	43	5N256	170066.60		LM24208	47
2Z500	110354.00		LM24110	209	5N780	170066.60		LM24208	47
3N012	110029.00		LM24111	33	5N816	170066.60		LM24208	47
3N421	110029.00		LM24111	33	4FM35	170157.60	C44	LM24209	46
3N531	110029.00		LM24111	33	4FN72	170157.60		LM24209	46
3N643	110029.00		LM24111	33	5N058	170157.60		LM24209	46
3N265	110125.00		LM24112	66	5N060	170157.60		LM24209	46
3N690	110125.00		LM24112	66	5N298	170157.60		LM24209	46
3N422	110430.00		LM24117	34	5N778	170157.60		LM24209	46
3N533	110430.00		LM24117	34	5N810	170157.60		LM24209	46
3N644	110430.00		LM24117	34	3KW34	131519.00		LM24222	34
3N018	110444.00		LM24118	44	5N787	131519.00		LM24222	34
3N542	110444.00		LM24118	44	1Z881	100602.00		LM24267	61
3N447	113927.00		LM24121	70	1Z874	100599.00		LM24277	61
2R934	110181.00		LM24126	69	1Z916	116630.00		LM24345	61
2R926	114142.00		LM24129	69	1Z897	110901.00		LM24346	61
3N871	115553.00		LM24131	60	3N445	111916.00		LM24347	45
3N238	111273.00		LM24132	66	4M042	100824.00		LM24442	174
4N077	111273.00		LM24132	66	4M041	100825.00		LM24443	174
3N443	110313.00		LM24133	43	1D066	100804.00	C29 P01	LM24448	174
3N539	110313.00		LM24133	43	1D067	100804.00	C29	LM24448	174
3N561	110313.00		LM24133	43	2K348	100804.00		LM24448	174
2R930	110915.00		LM24134	69	4M252	100804.00		LM24448	174
1Z899	110917.00	E02	LM24135	70	3K201	100000.00	C12	LM24457	7
2R938	110917.00		LM24135	70	2K532	101423.00	P02	LM24458	7
3N427	110275.00		LM24136	43	6K902	101423.00	P02	LM24458	7
3N471	114176.00		LM24138	65	3K994	101435.00		LM24462	180
4N069	114176.00		LM24138	65	3K995	101436.00		LM24463	180
3N237	110112.00		LM24139	66	1D061	100184.00		LM24465	7
4N073	110112.00		LM24139	66	4K131	100184.00	C12 P03	LM24465	7
2R932	116340.00	B34 E02	LM24140	69	5K683	100184.00	P03	LM24465	7
3N444	110745.00		LM24144	44	2K349	100803.00		LM2447	174
3N472	110448.00		LM24151	65	4M251	100803.00		LM2447	174
4N071	110448.00		LM24151	65	2K593	110011.00		LM24496	15

This information is furnished as a guide only. Always check specific motor to determine suitability for direct replacement



W.W. Grainger / Dayton to Leeson and Lincoln

Competitor Catalog #	LEESON Catalog #	Exception Code(s) To LEESON	Lincoln Catalog #	LEESON Page #	Competitor Catalog #	LEESON Catalog #	Exception Code(s) To LEESON	Lincoln Catalog #	LEESON Page #
5K672	110011.00		LM24496	15	3K782	100002.00		LM24552	7
2K599	110400.00		LM24497	16	5K116	100002.00		LM24552	7
2K554	100008.00		LM24502	7	5K450	100002.00	C12	LM24552	7
4K858	100008.00		LM24502	7	2K549	100004.00		LM24553	7
5K456	100008.00	C12	LM24502	7	5K455	100004.00		LM24553	7
5K457	100008.00	C12	LM24502	7	5K597	100004.00	C10	LM24553	7
5K458	100008.00	C12	LM24502	7	5K696	100004.00		LM24553	7
6K188	100008.00		LM24502	7	3K072	100025.00		LM24555	21
6K519	100008.00		LM24502	7	4K026	100025.00		LM24555	21
3K174	100003.00		LM24503	7	5K340	100025.00		LM24555	21
3K218	100003.00	C12	LM24503	7	3K070	100023.00		LM24569	21
3K784	100003.00	C12	LM24503	7	4K024	100023.00		LM24569	21
5K117	100003.00		LM24503	7	6K974	100023.00		LM24569	21
5K459	100003.00	C12	LM24503	7	2K539	100006.00		LM24570	7
5K982	100003.00	C12	LM24503	7	4K530	100006.00		LM24570	7
6K236	100003.00	C32	LM24503	7	4K852	100006.00		LM24570	7
6K759	100003.00		LM24503	7	3K071	100024.00		LM24571	21
6K949	100003.00		LM24503	7	4K025	100024.00		LM24571	21
6K502	101544.00	C07	LM24504	7	5K339	100024.00		LM24571	21
1K066	110253.00		LM24513	16	2K526	110004.00		LM24580	8
2K607	110253.00		LM24513	16	2K529	110004.00		LM24580	8
4K022	110253.00		LM24513	16	5K431	110004.00	C12	LM24580	8
6K419	110253.00		LM24513	16	5K642	110004.00		LM24580	8
6K510	110253.00		LM24513	16	5K921	110004.00		LM24580	8
3K152	110019.00		LM24514	16	3K176	110000.00		LM24581	8
3K235	110019.00		LM24514	16	6K148	110000.00		LM24581	8
5K565	110019.00		LM24514	16	6K237	110000.00		LM24581	8
5K565AK	110019.00		LM24514	16	3VF56	110167.00		LM24582	8
3K235	113333.00	P02	LM24515	16	6K699	110167.00		LM24582	8
5K641	113333.00		LM24515	16	2K560	110005.00		LM24583	8
3N629	111329.00		LM24521	178	5K644	110005.00		LM24583	8
2K559	110361.00		LM24524	8	5K923	110005.00		LM24583	8
2K646	110361.00		LM24524	8	6K162	110005.00	C07	LM24583	8
6K284	110361.00		LM24524	8	6K422	110006.00		LM24585	8
C1422	110361.00		LM24524	8	3K074	110220.00		LM24586	21
1D063	110360.00		LM24525	8	4K028	110220.00		LM24586	21
6K232	110360.00		LM24525	8	5K673	110220.00		LM24586	21
2K383	110422.00	P03	LM24530	25	1K073	110388.00		LM24587	22
2K661	110422.00		LM24530	25	4K029	110388.00	C07	LM24587	22
3K239	110094.00	P03	LM24531	16	3K015	102867.00	E01	LM24598	24
2K606	110109.00		LM24532	16	5K341	102867.00		LM24598	24
3K239	110109.00	P02	LM24532	16	3K016	102862.00		LM24599	24
4K067	110109.00		LM24532	16	6K342	102862.00		LM24599	24
6K338	110109.00		LM24532	16	2K577	102014.00		LM24606	15
2K609	110402.00		LM24534	17	2K597	110013.00		LM24607	16
5K961	110402.00		LM24534	17	4K018	110013.00		LM24607	16
2K389	110419.00	P03	LM24535	25	6K938	110013.00		LM24607	16
2K665	110419.00		LM24535	25	3K229	110017.00		LM24608	16
6K832	110419.00	P03	LM24535	25	3ZP87	110017.00		LM24608	16
2K542	110001.00		LM24540	7	4K019	110017.00		LM24608	16
5K118	110001.00		LM24540	7	5K608	110017.00		LM24608	16
5K442	110001.00	C12	LM24540	7	6K123	110017.00		LM24608	16
2K551	110002.00		LM24542	7	6K308	110017.00		LM24608	16
5K617	110002.00		LM24542	7	1K065	110209.00		LM24610	16
2K558	110003.00		LM24543	7	2K602	110209.00		LM24610	16
6K949	110003.00		LM24543	7	4K020	110209.00		LM24610	16
2K581	114617.00		LM24545	15	6K407	110209.00		LM24610	16
2K587	110009.00		LM24546	15	6K508	110209.00		LM24610	16
5K502	110009.00		LM24546	15	3K231	110018.00		LM24611	16
3K170	100001.00		LM24549	7	4K021	110018.00		LM24611	16
5K115	100001.00		LM24549	7	5K609	110018.00		LM24611	16
5K443	100001.00	P01	LM24549	7	6K309	110018.00		LM24611	16
5K445	100001.00		LM24549	7	6K562	110018.00		LM24611	16
2K484	100588.00		LM24550	7	6K640	110023.00		LM24612	16
5K599	100588.00		LM24550	7	3K017	110057.00		LM24613	24
2K548	100007.00		LM24551	7	6K436	110057.00		LM24613	24
4K855	100007.00		LM24551	7	3K018	110058.00		LM24614	25
5K449	100007.00	C12	LM24551	7	6K674	110058.00		LM24614	25
5K451	100007.00	C12	LM24551	7	1K081	110905.00		LM24615	26
6K187	100007.00		LM24551	7	2K676	110905.00		LM24615	26
3K172	100002.00		LM24552	7	6K045	110908.00	B30	LM24616	26
3K211	100002.00	C12	LM24552	7	3K020	110420.00		LM24622	25

DC Motors

Gearmotors

Ac / DC Controls

Accessories / Kits

Mods / Factory Options

X-Ref / Index

Tech Information

Terms / Warnings

Other Products



This information is furnished as a guide only. Always check specific motor to determine suitability for direct replacement

Cross Reference

W.W. Grainger / Dayton to Leeson and Lincoln

Competitor Catalog #	LEESON Catalog #	Exception Code(s) To LEESON	Lincoln Catalog #	LEESON Page #	Competitor Catalog #	LEESON Catalog #	Exception Code(s) To LEESON	Lincoln Catalog #	LEESON Page #
6K702	110420.00		LM24622	25	2K673	110180.00		LM24727	26
2K524	110363.00		LM24624	8	3K348	110180.00		LM24727	26
6K138	110363.00		LM24624	8	1K082	110910.00		LM24728	26
1K079	102907.00		LM24628	26	2K678	110910.00		LM24728	26
1D056	100340.00		LM24674	7	6K975	102868.00		LM24733	24
1D062	100340.00		LM24674	7	2K376	102864.00	P03	LM24736	24
5K995	120044.00		LM24675	8	6K182	102864.00	P03	LM24736	24
6K271	120044.00		LM24675	8	2K663	102870.00		LM24736	24
6K825	120044.00		LM24675	8	6K181	102870.00	P03	LM24736	24
6K630	120107.00		LM24676	8	2K666	110411.00		LM24737	24
1K064	120067.00		LM24677	8	2K388	110413.00	P03	LM24738	24
5K645	120067.00		LM24677	8	6K831	110413.00	P03	LM24738	24
6K393	120067.00		LM24677	8	2K377	110416.00	P03	LM24740	25
5K482	131515.00	B23	LM24678	8	6K197	110416.00	P03	LM24740	25
5K953	131515.00		LM24678	8	2K596	110108.00		LM24744	16
2K496	131636.00		LM24679	9	3K230	110108.00	P02	LM24744	16
6K632	131636.00		LM24679	9	4K065	110108.00		LM24744	16
5K483	131534.00	B23	LM24680	9	6K358	110108.00		LM24744	16
5K675	131534.00		LM24680	9	2K601	110142.00		LM24745	16
5K999	131534.00		LM24680	9	3K234	110142.00	P02	LM24745	16
6K756	131534.00		LM24680	9	4K066	110142.00		LM24745	16
2K497	131616.00		LM24681	9	5K960	110142.00		LM24745	16
6K633	131616.00		LM24681	9	3K152	120009.00		LM24746	16
5K484	131537.00	B23	LM24682	9	6K420	120009.00		LM24746	16
6K026	131537.00		LM24682	9	3K344	120395.00		LM24747	17
6K757	131537.00	C10	LM24682	9	6K710	113256.00		LM24789	171
6K854	131537.00		LM24682	9	6K840	113256.00		LM24789	171
2K501	140155.00		LM24683	9	6K592	110086.00	P02	LM24790	171
5K677	140155.00		LM24683	9	6K714	110086.00		LM24790	171
6K100	140311.00	S04	LM24684	9	6K841	110086.00		LM24790	171
6K972	120879.00		LM24685	8	6K619	110087.00	P02	LM24791	171
5K481	120042.00	B22	LM24687	8	6K719	110087.00		LM24791	171
5K997	120042.00		LM24687	8	6K841	110087.00		LM24791	171
6K272	120042.00		LM24687	8	6K622	110088.00	P02	LM24792	171
6K826	120042.00		LM24687	8	6K727	110088.00		LM24792	171
2K645	110382.00		LM24691	21	6K843	110088.00		LM24792	171
5K110	101651.00		LM24697	23	6K994	121569.00		LM24793	171
1K084	101650.00		LM24699	23	6K740	110089.00		LM24794	171
4K811	113930.00		LM24700	23	6K851	110089.00		LM24794	171
6K481	102016.00	P03	LM24705	15	6K311	113938.00		LM24795	171
2K595	110276.00		LM24707	16	6K812	113938.00		LM24795	171
3K230	110276.00	P03	LM24707	16	6K886	113938.00		LM24795	171
2K600	110059.00		LM24708	16	2K343	131541.00	S07	LM24796	171
3K234	110059.00	P03	LM24708	16	6K313	131541.00		LM24796	171
2K604	120025.00		LM24709	16	6K813	131541.00		LM24796	171
5K485	120025.00	B22	LM24709	16	6K887	131541.00	S07	LM24796	171
6K407	120025.00		LM24709	16	2K345	131543.00		LM24798	171
6K827	120025.00		LM24709	16	6K815	131543.00		LM24798	171
3K300	120130.00		LM24710	16	6K847	131543.00		LM24798	171
5K486	120026.00	B22	LM24711	16	6K882	131543.00		LM24798	171
6K419	120026.00		LM24711	16	2K344	131542.00		LM24801	171
6K828	120026.00		LM24711	16	6K610	131542.00		LM24801	171
3K344	120036.00		LM24712	17	6K814	131542.00		LM24801	171
3K155	131509.00		LM24713	17	6K881	131542.00		LM24801	171
5K487	131509.00	B23	LM24713	17	6K816	140223.00		LM24803	173
5K966	131509.00		LM24713	17	6K883	140223.00		LM24803	173
2K525	120341.00	E02	LM24714	17	6K817	140209.00		LM24804	173
2K567	131637.00		LM24715	17	6K884	140209.00		LM24804	173
6K145	131637.00		LM24715	17	2K566	140414.00	P02 S04	LM24805	173
3K156	131533.00		LM24716	17	6K818	140414.00		LM24805	173
5K488	131533.00	B23	LM24716	17	6K885	140414.00		LM24805	173
5K967	131533.00		LM24716	17	6K970	140414.00		LM24805	173
2K568	131549.00		LM24717	17	6K631	120106.00		LM24806	8
6K146	131549.00		LM24717	17	3K996	101437.00		LM24812	180
3K159	131538.00		LM24718	17	1Z948	113311.00	E02	LM24858	65
5K489	131538.00	B23	LM24718	17	3N639	100027.00		LM24866	33
6K179	140684.00		LM24719	17	3N590	101448.00		LM24869	33
2K570	140120.00		LM24720	17	3N530	101449.00		LM24870	33
6K176	140120.00		LM24720	17	3KW25	121003.00		LM24871	33
1K080	112135.00	P03	LM24726	26	4LX01	121003.00		LM24871	33
2K671	112135.00		LM24726	26	5N784	121003.00		LM24871	33
2K380	110180.00	P03	LM24727	26	3N534	110429.00		LM24874	34

This information is furnished as a guide only.
Always check specific motor to determine suitability for direct replacement



W.W. Grainger / Dayton to Leeson and Lincoln

Competitor Catalog #	LEESON Catalog #	Exception Code(s) To LEESON	Lincoln Catalog #	LEESON Page #	Competitor Catalog #	LEESON Catalog #	Exception Code(s) To LEESON	Lincoln Catalog #	LEESON Page #
3N592	110429.00		LM24874	34	4FN60	120922.00		LM33123	44
3KW28	121004.00		LM24875	34	5N294	120922.00		LM33123	44
3N013	121004.00		LM24875	34	5N774	120922.00		LM33123	44
3N044	121004.00		LM24875	34	5N798	120922.00		LM33123	44
4LW97	121004.00		LM24875	34	4FN63	120923.00		LM33125	45
5N785	121004.00		LM24875	34	5N295	120923.00		LM33125	45
3M593	113292.00		LM24877	34	5N775	120923.00		LM33125	45
1Z876	100600.00		LM24879	61	5N801	120923.00		LM33125	45
3GC89	100601.00		LM24880		4FM29	171320.60	C44	LM60026	45
1Z897	116784.00		LM24884	61	4FN66	171320.60		LM60026	45
1Z911	110902.00		LM24889	61	5N034	171320.60		LM60026	45
1Z946	100375.00		LM24909	59	5N036	171320.60		LM60026	45
3N817	100375.00		LM24909	59	5N296	171320.60		LM60026	45
2N913	100048.00		LM24910	59	5N776	171320.60		LM60026	45
1Z955	100056.00		LM24911	59	5N804	171320.60		LM60026	45
3N818	100056.00		LM24911	59	5N805	171378.60		LM60027	45
2N914	100049.00		LM24912	59	4FM38	170140.60	C44	LM60036	47
3N683	100049.00		LM24912	59	4FN75	170140.60		LM60036	47
2R950	110434.00		LM24913	59	4N949	170140.60		LM60036	47
1Z958	100378.00		LM24914	59	4N969	170140.60		LM60036	47
3N819	100378.00		LM24914	59	5N299	170140.60		LM60036	47
2N923	100050.00		LM24915	59	5N779	170140.60		LM60036	47
3N684	100050.00		LM24915	59	5N813	170140.60		LM60036	47
1Z983	110111.00		LM24916	59	4FM49	170037.60	C44	LM60046	48
3N820	110111.00		LM24916	59	4N917	170037.60		LM60046	48
3N028	110043.00		LM24917	59	4N944	170037.60		LM60046	48
3N685	110043.00		LM24917	59	5N264	170037.60		LM60046	48
1Z997	110437.00		LM24919	59	5N824	170037.60		LM60046	48
3N821	110437.00		LM24919	59	4FM55	170041.60	C44	LM60052	49
2R920	113894.00		LM24921	60	4N919	170041.60		LM60052	49
3N822	113894.00		LM24921	60	4N929	170041.60	S05	LM60052	49
2R922	114420.00		LM24923	60	4N946	170041.60		LM60052	49
3N823	114420.00		LM24923	60	5N270	170041.60		LM60052	49
3N849	101646.00		LM24929	43	5N830	170041.60		LM60052	49
3N350	101647.00		LM24930	43	4N998	170099.60		LM60060	50
2N925	110441.00		LM24931	43	5N278	170099.60		LM60060	50
3N351	100961.00		LM24932	43	5N838	170099.60		LM60060	50
3N874	101767.00	E02	LM24964	65	1K060	092114.00			15
3N649	111630.00		LM24975	67	1K061	092116.00			15
4N079	111630.00		LM24975	67	2M168	098000.00			282
2Z347	110714.00	E01	LM25094	209	2M168D	098000.00			282
3GC91	110178.00		LM25095	209	2M503	098000.00			282
2Z937	110715.00		LM25096	209	3VF70	098000.00			282
2Z981	110206.00		LM25097	209	2M167	098002.00			282
3KW52	170009.60		LM29576	36	2M501	098002.00			282
5N793	170009.60	C02	LM29576	36	3VF68	098003.00			282
3KW55	170013.60		LM29577	36	2M502	098004.00			282
5N794	170013.60	C02	LM29577	36	2M509	098004.00			282
3N929	170000.60		LM30273		3VF69	098005.00			282
5N322	170000.60		LM30273		3VF71	098007.00			282
5N319	170067.60	C02	LM31244		2M507	098008.00			282
3KW54	170036.60		LM32687	36	3VF72	098009.00			282
3N924	171574.60		LM32733	34	2M169	098032.00			282
5N307	171574.60	C02	LM32733	34	2M504	098032.00			282
5N308	131986.00		LM32734	35	2M508	098069.00			282
3N925	171575.60		LM32735	35	2K555	100005.00			7
5N310	171575.60	C02	LM32735	35	5K460	100005.00			7
5N311	131988.00		LM32737	35	5K694	100005.00			7
5N313	170145.60	C02	LM32738		5K444	100010.00	C12		13
5N314	140753.00		LM32740	35	6K120	100010.00			13
5N316	170146.60	C02	LM32742	35	6K366	100010.00			13
5N317	140754.00		LM32743	35	3K093	100011.00			13
3KW48	170032.60		LM32745	35	3K142	100011.00			13
3KW51	170034.60		LM32747	36	3K199	100011.00			13
4FN57	120921.00		LM32796	44	3K213	100011.00	C12		13
5N293	120921.00		LM32796	44	5K453	100011.00	C12		13
5N773	120921.00		LM32796	44	5K504	100011.00	C32		13
5N795	120921.00		LM32796	44	5K790	100011.00			13
4FN71	140756.00	C01	LM32804	46	2K519	100012.00	P01		13
4FN74	140755.00	C01	LM32808	47	2K774	100012.00	P01		13
2G703	140451.00	C01	LM32809	47	3K095	100012.00			13
4FN75	140451.00	C01	LM32809	47	3K143	100012.00			13

DC Motors

Gearmotors

Ac / DC Controls

Accessories / Kits

Mods / Factory Options

X-Ref / Index

Tech Information

Terms / Warnings

Other Products



This information is furnished as a guide only. Always check specific motor to determine suitability for direct replacement

Cross Reference

W.W. Grainger / Dayton to Leeson and Lincoln

Competitor Catalog #	LEESON Catalog #	Exception Code(s) To LEESON	Lincoln Catalog #	LEESON Page #	Competitor Catalog #	LEESON Catalog #	Exception Code(s) To LEESON	Lincoln Catalog #	LEESON Page #
3K224	100012.00	C12		13	6K635	100205.00			113
5K801	100012.00			13	2K366	100207.00	H01		113
6K376	100012.00			13	2K367	100207.00			113
6K937	100012.00			13	2K397	100207.00	H01		113
4K531	100014.00			13	2K398	100207.00			113
4K853	100014.00			13	2K410	100207.00	H01		113
5K446	100014.00	C12		13	3K802	100207.00	H01		113
5K448	100014.00			13	3K804	100207.00			113
6K108	100014.00			13	5K660	100207.00			113
2K773	100015.00	P01		13	5K956	100207.00	H01		113
4K856	100015.00			13	6K695	100207.00	H01		113
5K283	100015.00	C10		13	6K704	100207.00			113
5K288	100015.00	C10		13	2K368	100208.00			113
5K452	100015.00			13	2K399	100208.00			113
5K454	100015.00			13	3K806	100208.00			113
6K186	100015.00			13	5K661	100208.00			113
6K775	100015.00	C10		13	6K706	100208.00			113
4K859	100016.00			13	3N026	100210.00			40
5K254	100016.00			13	2K546	100338.00			7
2K651	100020.00			21	5K987	100338.00	C12 P03		7
3K073	100026.00			21	6K178	100338.00			7
4K027	100026.00			21	6K958	100338.00			7
5K435	100026.00			21	4N583	100446.00			33
3K171	100052.00			7	3K094	100603.00			13
3K781	100052.00	C12		7	6K346	100603.00			13
6K745	100052.00			7	2K394	100722.00			113
3K173	100053.00			7	3K807	100722.00			113
3K783	100053.00	C12		7	4K111	100722.00			113
6K748	100053.00			7	5K659	100722.00			113
3K060	100064.00			13	6K690	100722.00			113
3K093	100064.00			13	2K369	100723.00			113
5K453	100064.00			13	2K400	100723.00			113
6K085	100064.00	P01		13	3K808	100723.00			113
6K397	100064.00			13	3K985	100723.00			113
5K459	100065.00			13	5K662	100723.00			113
6K236	100065.00			13	6K709	100723.00			113
2K504	100109.00	C12		13	6K415	100741.00			
2K505	100109.00	P01		13	2K510	100767.00	C29 P01		174
3K148	100109.00			13	2K511	100767.00	C29		174
4K588	100109.00	P01		13	3N026	100796.00	H01 P01		40
5K756	100109.00			13	6K388	100802.00			237
6K438	100109.00	C12		13	3N855	100905.00			43
6K490	100110.00	P03		13	4N827	100905.00			43
5K989	100111.00	P01 C12		13	2K590	100956.00			15
6K924	100111.00	C12		13	6K177	100956.00			15
2K530	100115.00			7	3N856	100960.00			43
2K533	100115.00			7	3K054	101015.00	C12		13
6K912	100115.00	C12		7	4K929	101015.00			13
6K971	100115.00	C12		7	5K308	101015.00	C12 P01		13
1D060	100116.00			7	5K991	101015.00	C12 P01		13
4K928	100116.00			7	6K244	101015.00	C12		13
6K241	100116.00	P03		7	6K927	101015.00	P01		13
6K243	100116.00	P03		7	5K671	101020.00	C12		191
6K973	100116.00	C12		7	5K554	101021.00	C12		191
3N027	100145.00			40	3GC88	101051.00			209
3N487	100146.00			40	3GC86	101052.00			
2K391	100204.00	H01		113	3K996	101119.00			180
2K392	100204.00			113	4K120	101119.00			180
2K409	100204.00	H01		113	5K046	101119.00			180
3K801	100204.00	H01		113	3K995	101120.00			180
3K803	100204.00			113	4K119	101120.00			180
4K108	100204.00	H01		113	5K044	101120.00			180
4K109	100204.00			113	2K350	101159.00			180
5K657	100204.00			113	3K994	101159.00			180
5K955	100204.00	H01		113	4K118	101159.00			180
6K571	100204.00	H01		113	5M078	101341.00			181
6K573	100204.00			113	4K102	101405.00	F01		10
6K575	100204.00			113	4K708	101405.00	P01 F01		10
2K393	100205.00			113	1D065	101431.00			13
3K805	100205.00			113	1D068	101432.00	P01		13
4K110	100205.00			113	3K092	101432.00			13
5K658	100205.00			113	2K253	101433.00			13

This information is furnished as a guide only. Always check specific motor to determine suitability for direct replacement



W.W. Grainger / Dayton to Leeson and Lincoln

Competitor Catalog #	LEESON Catalog #	Exception Code(s) To LEESON	Lincoln Catalog #	LEESON Page #	Competitor Catalog #	LEESON Catalog #	Exception Code(s) To LEESON	Lincoln Catalog #	LEESON Page #
5K684	101433.00	P01		13	4Z388	107030.00			329
2K579	101446.00	P02		15	4Z389	107031.00			329
2K648	101521.00			21	6Z405	107032.00			329
2K649	101522.00			21	4Z390	107033.00			329
2K650	101522.00			21	4Z391	107034.00			329
6K005	101522.00			21	4Z392	107035.00			329
2K653	101523.00			21	4Z393	107036.00			329
2K654	101523.00			21	4Z394	107037.00			329
3VG47	101524.00	C10			2M168	108014.00			282
6K862	101524.00				2M503	108014.00			282
3VG48	101525.00	C10			2M507	108015.00			282
6K867	101525.00				4Z524	108015.00			282
3VG49	101526.00	C10			3VF73	108016.00			282
6K891	101526.00				2M169	108018.00			282
3VG52	101527.00	C10			2M504	108018.00			282
6K863	101527.00				2M508	108019.00			282
3VG53	101528.00	C10			4Z525	108019.00			282
6K868	101528.00				3VF74	108020.00			282
3VG54	101529.00	C10			3VF75	108021.00			282
6K893	101529.00				2M170	108022.00			282
4K103	101585.00	F01		10	2M505	108022.00			282
4K715	101585.00	P01 F01		10	2M506	108023.00			282
4K101	101602.00	F01		10	4Z378	108023.00			282
4K700	101602.00	P01 F01		10	1F650	108226.00			142
6K397	101611.00			13	1F648	108227.00			142
4N063	101637.00			115	1F646	108228.00			142
4N064	101638.00			115	1F644	108229.00			142
3N634	101640.00			40	1F642	108230.00			142
3N634	101641.00	H07		40	1F640	108231.00			142
3N635	101641.00			40	4Z379	108262.00			282
3N349	101649.00			55	1F654	108423.00			142
3K015	101766.00			24	1F652	108424.00			142
5K341	101766.00			24	6Z791	108502.00			282
3N088	101776.00			115	6Z406	108700.00			309
5U264	101776.00			115	6Z407	108701.00			309
1D070	101781.00			236	6Z408	108702.00			309
4K781	101781.00			236	6Z409	108703.00			309
5K286	101782.00	F01		236	6Z410	108704.00			309
2K588	102020.00	P03		15	6Z411	108705.00			309
3N695	102024.00	F04		69	6Z412	108706.00			309
4N087	102197.00			115	6Z413	108707.00			309
4N062	102198.00			115	6Z414	108708.00			309
2N915	102863.00	E01		65	6Z415	108709.00			309
3N686	102863.00			65	6Z416	108710.00			309
2K670	102866.00			24	6Z417	108711.00			309
6K975	102866.00			24	6Z418	108712.00			309
2K381	102871.00			24	3K064	110007.00			13
3N874	103014.00			59	3K097	110007.00			13
5K109	103023.00			23	3K144	110007.00			13
6Z400	107000.00	C10 C32		329	6K321	110007.00			13
6K354	107001.00	C10 C32		329	6K639	110022.00			16
6K352	107002.00	C10 C32		329	2K572	110025.00			19
6Z401	107003.00	C10 C32		329	6K477	110025.00			19
6K351	107004.00	C10 C32		329	2K573	110026.00			19
6K353	107005.00	C10 C32		329	6K478	110026.00			19
6Z402	107006.00	C10 C32		329	2K655	110036.00	P02		21
2Z845	107007.00	C10 C32		329	3N488	110052.00			40
2Z844	107008.00	C10 C32		329	6K246	110054.00	C12		13
2Z843	107009.00	C10 C32		329	6K760	110054.00			13
6K369	107010.00	C10 C32		329	6K408	110064.00			225
2Z842	107011.00	C10 C32		329	6K473	110065.00			225
6K396	107012.00	C10 C32		329	6K409	110066.00			225
6Z403	107013.00	C10 C32		329	4K090	110090.00			171
6K506	107014.00	C10 C32		329	3K175	110097.00			8
6K383	107015.00	C10 C32		329	3K785	110097.00	C12		8
6K583	107016.00	C10 C32		329	4K129	110097.00	P02		8
6K375	107017.00	C10 C32		329	6K385	110097.00			8
6Z404	107025.00			329	6K754	110097.00			8
4Z384	107026.00			329	3K177	110110.00			8
4Z385	107027.00			329	3K786	110110.00	C12		8
4Z386	107028.00			329	6K614	110110.00			8
4Z387	107029.00			329	6K765	110110.00			8

DC Motors
Gearmotors
Ac / DC Controls
Accessories / Kits
Mods / Factory Options
X-Ref / Index
Tech Information
Terms / Warnings
Other Products



This information is furnished as a guide only. Always check specific motor to determine suitability for direct replacement

Cross Reference

W.W. Grainger / Dayton to Leeson and Lincoln

Competitor Catalog #	LEESON Catalog #	Exception Code(s) To LEESON	Lincoln Catalog #	LEESON Page #	Competitor Catalog #	LEESON Catalog #	Exception Code(s) To LEESON	Lincoln Catalog #	LEESON Page #
3N442	110143.00	E01		55	6K036	111074.00	E01		100
3N537	110143.00			55	6K734	111074.00	H03 C10		100
3N560	110143.00			55	6K738	111074.00	E01 C10		100
3N471	110144.00			65	2K620	111075.00	H03		100
3K785	110160.00			11	2K621	111075.00			100
6K754	110160.00			11	6K330	111075.00	E01		100
3K786	110161.00			11	6K829	111075.00			100
6K765	110161.00			11	3K795	111084.00			100
2Z380	110214.00				6K039	111084.00	C05		100
3K788	110222.00	C12		11	2K624	111085.00			100
6K779	110222.00			11	3K795	111085.00			100
6K773	110232.00			11	6K333	111085.00			100
6K248	110241.00				2K625	111086.00			100
6K873	110241.00				3K796	111086.00			100
6K249	110242.00				6K728	111086.00			100
6K874	110242.00				6K837	111086.00			100
6K266	110243.00				1K068	111095.00	E01		100
6K875	110243.00				1K071	111096.00			100
6K247	110278.00				1K070	111097.00			100
3VG51	110279.00	C10			1K069	111098.00			100
6K024	110279.00				2K622	111098.00			100
6K336	110279.00				2K633	111098.00			100
6K897	110279.00				3N469	111147.00			194
4K114	110280.00			113	3N647	111147.00			194
6K250	110281.00				3N470	111148.00			194
6K255	110282.00				3N648	111148.00			194
6K876	110282.00				3K095	111266.00			174
6K256	110283.00				3VF58	111266.00			174
6K877	110283.00				6K767	111267.00			174
6K267	110284.00				3K790	111275.00			11
6K878	110284.00				4M040	111321.00			174
3VG56	110285.00	C10			4K123	111323.00			174
6K337	110285.00				4M253	111323.00			174
6K899	110285.00				6K869	111323.00	C32		174
2K372	110286.00			113	6K563	111324.00			174
2K395	110288.00			113	6K981	111330.00			178
3K809	110288.00			113	4K058	111332.00	P03		176
3K978	110288.00			113	5U175	111332.00	P03		176
4K112	110288.00			113	4K023	111333.00	P02		176
5K469	110288.00			113	4K059	111333.00	P03		176
2K396	110289.00			113	5U176	111333.00	P03		176
4K113	110289.00			113	2Z828	111394.00			209
5K470	110289.00			113	2K574	111915.00			19
2K370	110292.00			113	6K810	111915.00			19
2K401	110292.00			113	3N370	111922.00			101
3K810	110292.00			113	5N103	111922.00			101
3K986	110292.00			113	3N369	111923.00			101
5K475	110292.00			113	5N098	111923.00			101
2K371	110293.00			113	5N099	111923.00			101
2K402	110293.00			113	3N860	111926.00			101
5K476	110293.00			113	5N090	111926.00			101
6K652	110362.00			8	3N368	111929.00	E01		101
6K773	110362.00			8	5N095	111929.00			101
6K182	110394.00	P03		224	5N096	111929.00			101
6K472	110423.00			225	3N858	111930.00			101
3N489	110433.00			40	5N088	111930.00			101
4N068	110446.00	E01		65	3N857	111931.00			101
3K096	110478.00			13	5N087	111931.00			101
6K347	110478.00			13	3N367	111932.00	E01		101
3K098	110479.00			13	5N092	111932.00	H03		101
6K365	110479.00			13	5N093	111932.00			101
2K258	110579.00			13	3GC49	111933.00			101
3K147	110579.00			13	3GC70	111934.00			101
6K324	110579.00			13	3N859	111935.00			101
1K072	110852.00			100	5N089	111935.00			101
2K636	110852.00			100	3GC51	111936.00			101
3K796	110934.00			100	3GC72	111937.00			101
6K040	110934.00	C05		100	3GC71	111938.00			101
6K041	110961.00	C05		100	5N097	111938.00			101
3K794	111074.00			100	3GC69	111940.00			101
3K973	111074.00	H03		100	5N094	111940.00			101
6K034	111074.00	H03 E01		100	3N861	111941.00			101

This information is furnished as a guide only. Always check specific motor to determine suitability for direct replacement



W.W. Grainger / Dayton to Leeson and Lincoln

Competitor Catalog #	LEESON Catalog #	Exception Code(s) To LEESON	Lincoln Catalog #	LEESON Page #	Competitor Catalog #	LEESON Catalog #	Exception Code(s) To LEESON	Lincoln Catalog #	LEESON Page #
5N091	111941.00			101	3N682	113032.00			116
3GC75	111942.00			101	6K504	113266.00			8
5N102	111942.00			101	2K351	113280.00			180
3GC53	111943.00			101	4K263	113300.00			133
2K261	111953.00			191	5U134	113300.00			133
3K080	111953.00			191	2K779	113373.00			191
5K423	111953.00	C12		191	3K084	113373.00			191
2K264	111954.00	C10		191	6K137	113373.00	C12		191
2K776	111954.00	C10		191	3N780	113473.00			134
3K081	111954.00			191	3N827	113473.00	E01		134
2K778	111955.00			191	5U210	113473.00			134
3K083	111955.00			191	6N023	113473.00			134
1K074	112136.00	E02		25	5M288	113581.00	E02		133
1K075	112136.00			25	5M289	113582.00	E02		133
5M283	112427.00	H01		135	4K999	113583.00			133
5U202	112427.00	H01		135	5U131	113583.00			133
5U203	112427.00			135	4KC00	113584.00			133
6N031	112427.00			135	5U133	113584.00			133
5U204	112428.00			135	3N835	113586.00	E01		136
3N780	112429.00			136	5M256	113586.00			136
3N772	112430.00			136	5U219	113586.00			136
3N781	112430.00			136	5M257	113587.00			136
5U220	112483.00			136	5U222	113587.00			136
5U223	112484.00			136	3N835	113588.00	E01		136
5U227	112522.00			136	5M264	113588.00			136
3N773	112524.00	E01		136	5U218	113588.00			136
3N782	112524.00			136	3N836	113589.00	E01		136
5M259	112524.00			136	5M265	113589.00			136
5U225	112524.00			136	5U221	113589.00			136
4K260	112527.00			133	3N837	113590.00	E01		136
5U129	112527.00			133	5M266	113590.00			136
4K261	112528.00			133	5U224	113590.00			136
5U130	112528.00			133	5M267	113591.00			136
4K262	112529.00			133	5M277	113591.00	E01		136
5U132	112529.00			133	5U228	113591.00			136
4K121	112615.00			180	3N838	113592.00			136
3N774	112643.00	E02		136	3N833	113593.00	E01		134
3N783	112643.00			136	5M280	113593.00	E01		134
4TF12	112643.00			136	2K259	113608.00			13
5M258	112643.00			136	6K503	113630.00	C07		8
3N775	112644.00			136	3K787	113632.00	C12		8
3N784	112644.00			136	3K099	113633.00			13
4TF07	112644.00			136	6K805	113633.00			13
3N781	113019.00			134	6K599	113639.00			114
3N828	113019.00	E01		134	6K600	113640.00			114
5U211	113019.00			134	2K390	113641.00			114
6N022	113019.00			134	6K880	113642.00			237
6N030	113019.00			134	5K556	113643.00	C12		191
3N782	113020.00			134	2K267	113672.00	C10		191
3N829	113020.00	E01		134	3VG50	113686.00	C10		
5U212	113020.00			134	6K894	113686.00			
6N020	113020.00			134	3VG55	113687.00	C10		
6N029	113020.00			134	6K896	113687.00			
3N783	113021.00			134	4K096	113766.00	E02 P02		15
3N831	113021.00	E01		134	4K097	113767.00	E02 P02		16
5U214	113021.00			134	4K098	113768.00	E02 P02		16
6N021	113021.00			134	4K099	113769.00	E02 P02		16
6N028	113021.00			134	3N650	113890.00			67
5M269	113022.00			134	4N065	113891.00			115
5M270	113023.00			134	4N066	113892.00			115
5M279	113023.00			134	4N067	113893.00			115
5M271	113024.00			134	3N636	113895.00			40
2K502	113027.00			13	3N637	113896.00			40
5K432	113027.00	C12		13	3N638	113897.00			40
5K922	113027.00			13	2K386	113913.00	E02		226
3N234	113028.00			116	2K631	113921.00	P02		226
3N680	113028.00	H07		116	6K950	113921.00			226
3N235	113029.00			116	2K634	113922.00	P02		226
4N082	113029.00			116	6K952	113922.00	P02		226
3N236	113030.00			116	6K959	113923.00	P02		226
4N083	113030.00			116	5M282	113954.00			134
3N681	113031.00			116	2K382	113955.00			114

DC Motors

Gearmotors

Ac / DC Controls

Accessories / Kits

Mods / Factory Options

X-Ref / Index

Tech Information

Terms / Warnings

Other Products



This information is furnished as a guide only. Always check specific motor to determine suitability for direct replacement

Cross Reference

W.W. Grainger / Dayton to Leeson and Lincoln

Competitor Catalog #	LEESON Catalog #	Exception Code(s) To LEESON	Lincoln Catalog #	LEESON Page #	Competitor Catalog #	LEESON Catalog #	Exception Code(s) To LEESON	Lincoln Catalog #	LEESON Page #
6K596	113955.00	H01		114	1Z976	120063.00	E02		59
6K597	113955.00			114	3N870	120081.00			
2K378	113956.00			114	1Z995	120105.00	E02		
6K598	113956.00			114	3N869	120172.00			
3GC57	113971.00			101	2K352	120374.00	P03		176
3N090	114203.00			115	4K060	120374.00	P03		176
5U265	114203.00			115	2K353	120375.00	P03 C10		176
3N728	114204.00			116	4K061	120375.00	P03		176
4N080	114204.00			116	2K354	120376.00	P03		176
3N727	114205.00			116	4K062	120376.00	P03		176
4N078	114205.00			116	4FG52	120554.00			11
3N726	114206.00			116	6K794	120554.00			11
4N076	114206.00			116	3N830	120760.00	E01		134
3N725	114207.00			116	4LW76	120760.00			134
4N074	114207.00			116	5U213	120760.00			134
3N724	114208.00			116	6N024	120760.00			134
4N072	114208.00			116	3N832	120761.00	E01		134
1Z914	114218.00			61	4LW72	120761.00	E01		134
4N590	114304.00			227	4TF05	120761.00			134
5M285	114312.00	E02		133	6N025	120761.00			134
5M290	114313.00	E02		133	3N784	120762.00			
5M286	114314.00	E02		133	4TF06	120762.00			
5M292	114315.00	E02		133	5M281	120987.00	F07		
5M287	114316.00	E02		133	4K813	120992.00	C42		23
5M291	114317.00	E02		133	4LW67	121039.00			136
3GC59	114419.00			101	5M268	121039.00			136
4LW77	114560.00			153	5U232	121039.00			136
4LW79	114561.00			153	3N834	121040.00			134
4LW78	114562.00			153	4N605	121093.00			227
4VZ23	114562.00			153	4N609	121095.00			227
4LW80	114581.00			153	4N601	121096.00			227
4TF08	114616.00			134	4LW81	121165.00			153
4M250	114620.00			193	3GC58	121178.00			
3N696	114624.00	F04		69	2R924	121187.00			
3N863	114626.00			102	5N169	121556.00	E02		259
3GC60	114627.00			102	4VZ02	121625.00	F04		173
3N864	114628.00			102	1Z995	121668.00			
3GC61	114629.00			102	4TD52	121668.00			
3N865	114630.00			102	2R918	121670.00			
3GC63	114631.00			102	4TD94	121670.00			
3N866	114632.00			102	6K045	121680.00			26
3GC64	114633.00			102	1K082	121681.00			26
3N867	114634.00			102	3N787	121850.00			
3GC66	114635.00			102	3N789	121851.00			
3GC81	114930.00			44	3N791	121852.00			
3N723	114931.00			116	3N792	121854.00			
4N070	114931.00			116	4Z380	128001.00			282
4UX54	114995.00			27	3N793	131562.00			
4UX69	115024.00			26	3N795	131563.00			
4UX39	115048.00			27	3N794	131574.00			
5M262	115751.00			135	3N796	131576.00			
4VZ06	116485.00			28	3N798	131577.00			
4VZ08	116486.00			28	4TF09	131596.00			
4VZ10	116487.00			28	4TF10	131597.00			
4VZ12	116488.00			173	4FN82	131604.00	C34		120
4VZ36	116489.00	F04		173	4FN84	131605.00			120
2N942	116591.00	B22		44	4FN81	131640.00			120
2Z276	116595.00			34	4FN83	131641.00			120
4LX07	116595.00			34	4K092	131847.00			177
1Z924	116631.00			62	5N303	131971.00			34
4UX39	116707.00			23	5N305	131972.00			34
5UX55	116709.00			23	4FN97	132044.00			9
1Z972	116728.00			59	4K814	132083.00			23
5N967	116728.00	F04		59	2K347	140130.00			173
1Z899	116785.00			61	6K884	140130.00			173
5K480	120000.00	B22		8	6K969	140130.00			173
6K424	120003.00			8	6K130	140203.00			173
5K995	120004.00			8	6K883	140203.00			173
6K422	120004.00			8	3N799	140619.00			
6K418	120008.00			16	6K634	140680.00			9
3N872	120035.00				6K628	140681.00			9
2R918	120061.00	E02			4FN22	150120.60	C44		

This information is furnished as a guide only.
Always check specific motor to determine suitability for direct replacement



W.W. Grainger / Dayton to Leeson and Lincoln

Competitor Catalog #	LEESON Catalog #	Exception Code(s) To LEESON	Lincoln Catalog #	LEESON Page #	Competitor Catalog #	LEESON Catalog #	Exception Code(s) To LEESON	Lincoln Catalog #	LEESON Page #
4N962	150120.60				3KV63	174933.00			344
4FN25	150121.60	C44			4RG33	174933.00			344
4N961	150121.60				3KV64	174934.00			344
4FN28	150239.60	C44			4RG41	174935.00			346
4FN29	150239.60	C44 F15			4RG43	174935.00			346
4N963	150239.60				4RF79	174936.00			346
3KW45	170064.60			35	4RF82	174937.00			346
3KW40	170142.60			35	4RF85	174938.00			346
5N789	170142.60	C02		35	4RF80	174939.00			346
3KW42	170143.60			35	4RG44	174939.00			346
3KW43	170144.60			35	4RF83	174940.00			346
5N790	170144.60	C02		35	4RF86	174941.00			346
4FN11	170222.60	C44			4RF88	174942.00			346
5N010	170222.60				4X788	175026.00			284
4RG20	174545.00			345	3M276	175033.00			374
4RG21	174551.00			345	3M277	175034.00			374
2M531	174552.00			345	3M278	175035.00			374
5U197	174552.00			345	3M279	175036.00			374
4RG22	174557.00			345	3M280	175037.00			374
2M532	174558.00			345	3M281	175038.00			374
5U198	174558.00			345	3M282	175039.00			374
4RG23	174560.00			345	3M130	175091.00			374
2M533	174561.00			345	3M131	175092.00			374
5U199	174561.00			345	3M132	175093.00			374
2M534	174563.00			345	3M367	175094.00			374
5U200	174563.00			345	3K091	191868.00	C12		194
2M535	174565.00			345	3K614	191868.00			194
5U201	174565.00			345	5K907	191868.00	C12		194
4RG27	174567.00			345	5K914	191868.00	C12		194
4RG24	174569.00			345	5K915	191868.00	C12		194
4RG25	174571.00			345	6K553	191868.00	C12		194
4RG29	174572.00			345	6K716	191868.00	P01		194
4RG28	174593.00			345	3K615	191869.00			194
4RF87	174730.00			346	3ZP93	191869.00			194
3HX70	174914.00			345	3ZP94	191869.00			194
3HX71	174914.00			345	4K252	191869.00			194
3ZP98	174914.00			345	5K221	191869.00	F01		194
3ZR01	174914.00			345	5K413	191869.00	F01		194
4RG15	174914.00			345	5K917	191869.00	C12 P01		194
4RG34	174914.00			345	5K918	191869.00	C12		194
4RG35	174914.00			345	6K030	191869.00	F01		194
3HX72	174915.00			345	6K570	191869.00	C12		194
3ZP99	174915.00			345	6K717	191869.00			194
3ZR02	174915.00			345	6K744	191869.00			194
4RG16	174915.00			345	3K616	191870.00			194
4RG36	174915.00			345	4K259	191870.00			194
3HX73	174917.00			345	5K258	191870.00	F01		194
4RG17	174917.00			345	6K589	191870.00			194
4RG37	174917.00			345	6K763	191870.00	C12 P01		194
3HX74	174918.00			345	6K768	191870.00			194
4RG18	174918.00			345	4M255	191871.00			196
4RG38	174918.00			345	6K410	191871.00	E01		196
3HX75	174919.00			345	6K807	191871.00			196
4RG19	174919.00			345	4M254	191872.00			196
4RG39	174919.00			345	6K403	191872.00	E01		196
3HX76	174920.00			345	6K406	191872.00			196
3KV66	174920.00			345	6K406C	191872.00			196
5U192	174920.00			345	6K806	191872.00			196
3HX77	174921.00			345	6K806A	191872.00			196
5U193	174921.00			345	4M256	191873.00			196
3HX78	174922.00			345	6K405	191875.00	E01		196
5U194	174922.00			345	6K411	191875.00			196
3HX79	174923.00			345	6K809	191875.00			196
5U195	174923.00			345	6K809C	191875.00			196
2M530	174924.00			345	4M196	191891.00			196
5U196	174924.00			345	4M197	191893.00			196
3KV65	174930.00			344	2N980	G120010.00	B22		
4RG30	174930.00			344	3N390	G120010.00			
3KV62	174931.00			344	3N450	G120010.00			
3KV67	174931.00			344	3N655	G120010.00			
4RG31	174931.00			344	2N981	G120011.00	B22		
4RG32	174931.00			344	3N391	G120011.00			

DC Motors

Gearmotors

Ac / DC Controls

Accessories / Kits

Mods / Factory Options

X-Ref / Index

Tech Information

Terms / Warnings

Other Products



This information is furnished as a guide only. Always check specific motor to determine suitability for direct replacement

Cross Reference

W.W. Grainger / Dayton to Leeson and Lincoln

Competitor Catalog #	LEESON Catalog #	Exception Code(s) To LEESON	Lincoln Catalog #	LEESON Page #	Competitor Catalog #	LEESON Catalog #	Exception Code(s) To LEESON	Lincoln Catalog #	LEESON Page #
3N451	G120011.00				2R948	G120991.00			
2N982	G120012.00	B22			1Z920	G121072.00			
3N392	G120012.00				4LW82	G121166.00			
3N452	G120012.00				3GC67	G121182.00			
3N657	G120012.00				4LW73	G121191.00			
4LX06	G120012.00				1Z883	G121286.00	E02		
2N933	G120014.00	B22			4LW86	G121286.00			
3N509	G120014.00				1Z905	G121287.00	E02		
3N548	G120014.00				2R942	G121287.00			
4LW94	G120014.00				1Z901	G121290.00	E02		
4LX02	G120014.00				2R940	G121290.00			
2N934	G120015.00	B22			1Z883	G121650.00			
3N510	G120015.00				1Z905	G121651.00			
3N550	G120015.00				2N983	G130000.00	B23		
4LW95	G120015.00				3N393	G130000.00			
4LW98	G120015.00				3N453	G130000.00			
2N935	G120016.00	B22			3N658	G130000.00			
3N511	G120016.00				2N984	G130004.00	B23		
3N553	G120016.00				3N394	G130004.00			
4LW96	G120016.00				3N454	G130004.00			
4LX05	G120016.00				3N659	G130004.00			
2N996	G120076.00	B22			2N936	G130008.00	B23		
3N544	G120076.00				3N403	G130008.00			
3N667	G120076.00				3N515	G130008.00			
4LW65	G120076.00				3N556	G130008.00			
2N997	G120077.00	B22			4LX30	G130008.00			
2Z267	G120077.00				3N676	G130010.00			
3N668	G120077.00				2N990	G130012.00	B23		
3ZP89	G120077.00				3N677	G130012.00			
2N946	G120086.00	B22			3N517	G130015.00			
3N551	G120086.00				3N552	G130015.00			
4LW63	G120086.00				2N943	G130016.00	B23		
2N941	G120087.00	B22			3N518	G130016.00			
3N512	G120087.00				3N555	G130016.00			
3N549	G120087.00				2N937	G130027.00	B23		
4LX04	G120087.00				3N404	G130027.00			
2N947	G120088.00	B22			3N516	G130027.00			
3GC84	G120088.00				3N558	G130027.00			
3N514	G120088.00				4LX31	G130027.00			
3N546	G120088.00				3KX06	G130103.00			
3N554	G120088.00				3N544	G130282.00			
4LW66	G120088.00				3N669	G130282.00			
2N988	G120089.00	B22			3N345	G130326.00			
3N675	G120089.00				4LX33	G130326.00			
2N995	G120103.00	B22			3N346	G130328.00			
3N666	G120103.00				4LX34	G130328.00			
2N948	G120185.00	B22			4TF03	G130662.00			
3GC47	G120185.00				4TF04	G130663.00			
3N761	G120185.00				3N785	G130664.00			
4LW68	G120185.00				4RR19	G130664.00			
1Z918	G120275.00				4TF16	G130664.00			
2R946	G120276.00				4RR20	G131171.00			
3N344	G120276.00				4TF17	G131171.00			
3GC78	G120387.00				2N992	G140122.00	B24		
3N334	G120391.00				3N679	G140122.00			
5N111	G120391.00				2N945	G140126.00	B24		
3N567	G120489.00				3N524	G140126.00			
5N107	G120489.00				3N570	G140126.00			
3N333	G120490.00				3N779	G140464.00			
4HZ72	G120490.00				4RR21	G140466.00			
5N108	G120490.00				3KW42	G140682.00			
5U206	G120585.00				3KW45	G140683.00			
4TC72	G120586.00				3KX08	G140686.00			
4LW69	G120587.00				3N408	G150000.60	C02		
5M255	G120587.00	E02			3N398	G150006.60			
5U226	G120587.00				3N663	G150006.60	C02		
4LW71	G120588.00				3N254	G150007.60	C02		
4TF14	G120588.00				3N611	G150007.60			
4TC66	G120858.00				3N737	G150007.60			
3N839	G120911.00				3N399	G150009.60			
4RX46	G120911.00				3N664	G150009.60	C02		

This information is furnished as a guide only.
Always check specific motor to determine suitability for direct replacement



W.W. Grainger / Dayton to Leeson and Lincoln

Competitor Catalog #	LEESON Catalog #	Exception Code(s) To LEESON	Lincoln Catalog #	LEESON Page #	Competitor Catalog #	LEESON Catalog #	Exception Code(s) To LEESON	Lincoln Catalog #	LEESON Page #
3N255	G150011.60	C02			3N660	G150142.60	C02		
3N409	G150011.60	C02			3N003	G150143.60	B24		
3N612	G150011.60				3N671	G150143.60	C02		
3N738	G150011.60				2N986	G150144.60	B24		
3N577	G150013.60	C02			3N396	G150144.60			
3N583	G150015.60	C02			3N456	G150144.60	C02		
3N613	G150015.60				3N661	G150144.60	C02		
3N739	G150015.60				3N691	G150145.60			
3N578	G150017.60	C02			3N692	G150146.60			
3N584	G150019.60	C02			3N476	G150152.60	C02		
3N614	G150019.60				3N582	G150152.60	C02		
3N740	G150019.60				2N938	G150157.60	B24 C02		
3N579	G150021.60	C02			3N405	G150157.60	C02		
3N585	G150023.60	C02			3N521	G150157.60	C02		
3N615	G150023.60				3N572	G150157.60	C02		
3N741	G150023.60				3N608	G150157.60			
3N474	G150025.60	C02			3N734	G150157.60			
3N580	G150025.60	C02			4LX32	G150157.60	C02		
3N586	G150027.60	C02			3N526	G150159.60	C02		
3N616	G150027.60				3N573	G150159.60	C02		
3N742	G150027.60				3N599	G150159.60			
3N475	G150029.60	C02			3N752	G150159.60			
3N581	G150029.60	C02			3N347	G150165.60	C02		
3N587	G150031.60	C02			3VG03	G150165.60			
3N617	G150031.60				4LX35	G150165.60			
3N743	G150031.60				4TD80	G150165.60			
3N673	G150032.60	C02			4TD79	G150166.60			
3N674	G150034.60	C02			3N348	G150167.60	C02		
3N499	G150035.60	C02			3VG04	G150167.60			
3N602	G150035.60				4TD82	G150167.60			
3N755	G150035.60				4TD81	G150168.60			
3N497	G150062.60	C02			2N949	G150299.60	B23 C02		
3N600	G150062.60				3KV77	G151320.60			
3N753	G150062.60				3KV80	G151322.60			
3N672	G150064.60	C02			4TD94	G151690.60			
3N397	G150065.60				4N866	G158000.00			
3N662	G150065.60	C02			5N702	G158000.00			
3N073	G150066.60				4N868	G158001.00			
3N407	G150066.60	C02			5N703	G158001.00			
3N610	G150066.60				4N870	G158010.00			
3N736	G150066.60				5N706	G158010.00			
3VG06	G150079.60				3N331	G158140.00	C02		
4TD85	G150079.60				4N869	G158140.00			
3VG07	G150080.60				5N700	G158140.00			
4TD86	G150080.60				3N330	G158157.00	C02		
3VG08	G150081.60				4N883	G158157.00			
4TD88	G150081.60				5N697	G158157.00			
3VG09	G150082.60				4N882	G158158.00			
4TD90	G150082.60				5N696	G158158.00			
4TD91	G150083.60				4N865	G158159.00			
4TD92	G150084.60				5N699	G158159.00			
4TD93	G150085.60				5N693	G158319.00			
4TC28	G150086.60				5N728	G158319.00			
4TD94	G150086.60				3N291	G158362.00	C02		
3N588	G150087.60	C02			5N691	G158362.00			
3N618	G150087.60				5N725	G158362.00			
3N744	G150087.60				3N329	G158366.00	C02		
3VG05	G150102.60				5N694	G158366.00			
4TD84	G150102.60				5N730	G158366.00			
4TD83	G150103.60				5N073	G825001.00			
4TD87	G150106.60				5N077	G825002.00			
4TD89	G150108.60				5N074	G825004.00			
3N341	G150140.60	C02			5N078	G825005.00			
3N406	G150140.60	C02			5N075	G825007.00			
3N522	G150140.60	C02			5N079	G825008.00			
3N574	G150140.60	C02			5N080	G825010.00			
3N609	G150140.60				5N085	G825011.00			
3N735	G150140.60				5N076	G825013.00			
2N985	G150142.60	B24			5N081	G825014.00			
3N395	G150142.60				4N867	G825039.00			
3N455	G150142.60	C02			5N705	G825039.00			

DC Motors

Gearmotors

Ac / DC Controls

Accessories / Kits

Mods / Factory Options

X-Ref / Index

Tech Information

Terms / Warnings

Other Products



This information is furnished as a guide only. Always check specific motor to determine suitability for direct replacement

Cross Reference

W.W. Grainger / Dayton to Leeson and Lincoln

Competitor Catalog #	LEESON Catalog #	Exception Code(s) To LEESON	Lincoln Catalog #	LEESON Page #	Competitor Catalog #	LEESON Catalog #	Exception Code(s) To LEESON	Lincoln Catalog #	LEESON Page #
5N711	G825040.00				6Z817	M1145030.00			323
5N748	G825040.00				6K328	M1145031.00	C29 C32		323
4N873	G825041.00				6Z817	M1145031.00			323
5N712	G825041.00				6Z818	M1145031.00			323
5N714	G825042.00				6K329	M1145032.00	C29 C32		323
4N874	G825043.00				6Z819	M1145032.00			323
5N715	G825043.00				6K331	M1145033.00	C29 C32		323
5N716	G825044.00				6Z820	M1145033.00			323
4N871	G825045.00				6K332	M1145034.00	C29 C32		323
5N717	G825045.00				6Z821	M1145034.00			323
5N708	G825046.00				6K334	M1145035.00	C29 C32		323
5N746	G825046.00				6Z822	M1145035.00			323
4N872	G825047.00				IL501	M1145037.00			330
5N709	G825047.00				1L502	M1145038.00	S07 S08 C29		330
4Z142	M1110003.00			286	IL504	M1145039.00	S07 S08 C29		330
4Z145	M1110006.00			294	IL505	M1145040.00	S07 S08 C29		330
6Z913	M1115000.00	K87 C30		301	IL503	M1145082.00	S07 S08 C29		330
6Z912	M1115001.00	K87 C30		301	2A754	M1760003.00			332
6Z911	M1115002.00	K87 C30		301	4JV45	M1760007.00			332
6A193	M1115024.00			303					
6A194	M1115025.00			303					
4Z134	M1115026.00			303					
4Z133	M1115027.00			303					
4Z132	M1115028.00			303					
4Z131	M1115029.00			303					
4Z141	M1120013.00			286					
4Z140	M1120027.00			286					
1Z840	M1120039.00			286					
4Z144	M1120040.00			294					
4Z528	M1120042.00			286					
1Z851	M1120043.00			286					
4Z143	M1120044.00			294					
1Z842	M1120045.00			286					
4Z529	M1120046.00			294					
6Z914	M1125002.00	K86 C30		301					
6Z914	M1125003.00			301					
6Z915	M1125003.00			301					
6Z916	M1125005.00	K86 C30		301					
6Z074	M1125050.00	E01 C29		321					
4Z130	M1125069.00			303					
4Z383	M1125070.00			303					
4Z129	M1125071.00			303					
4Z382	M1125072.00			303					
4Z381	M1125073.00			303					
4Z128	M1125074.00			303					
1L536	M1125080.00	S08 S09 B36		330					
1L538	M1125081.00	S08 S09 B36		330					
1L535	M1125082.00	S08 S09 B36		330					
1L534	M1125083.00	S08 S09 B36		330					
1L533	M1125084.00	S08 S09 B36		330					
6Z076	M1125127.00	E02 C29		321					
6Z081	M1125128.00	E02 C29		321					
6Z082	M1125129.00	E02		321					
6Z083	M1125130.00	E02		321					
6A197	M1125131.00	E02		321					
1Z854	M1130053.00			286					
4Z137	M1135038.00	S07 S10 K86		311					
1L498	M1135042.00	S07 S08		311					
1L499	M1135043.00	S07 S08		311					
6A192	M1135069.00	S07 S10		311					
2Z817	M1145023.00	C29 E01		323					
4Z518	M1145023.00			323					
4Z519	M1145024.00			323					
6K303	M1145024.00	C29 E01		323					
4Z520	M1145025.00			323					
2Z818	M1145026.00	C29 E01		323					
4Z521	M1145026.00			323					
2Z841	M1145027.00	C29 E01		323					
4Z522	M1145027.00			323					
4Z523	M1145028.00			323					
6Z816	M1145029.00			323					

This information is furnished as a guide only.
Always check specific motor to determine suitability for direct replacement



Cross Reference

WEG to Leeson and Lincoln

Competitor Catalog #	LEESON Catalog #	Exception Code(s) To LEESON	Lincoln Catalog #	LEESON Page #	Competitor Catalog #	LEESON Catalog #	Exception Code(s) To LEESON	Lincoln Catalog #	LEESON Page #
.3318OS1BC56	100006.00		LM24570	7	.503ES1BB56CFL	102864.00		LM24736	24
.5018OS1BC56	100007.00		LM24551	7	.3336ES1BB56CFL	102870.00		LM24736	24
.7518OS1BD56	100008.00		LM24502	7	.5036ES1BB56C	102903.00		LM24725	26
.3318OS1BC56CFL	100024.00		LM24571	21	.5036ES1BB56	102905.00		LM24706	15
.5018OS1BC56CFL	100025.00		LM24555	21	.5018ES1BB56	102906.00		LM24627	15
.7518OS1BD56CFL	100026.00			21	.5018ES1BB56C	102907.00		LM24628	26
.2536OS3EA56	100027.00		LM24866	33	.2518ES1BB56C	102916.00		LM24723	26
.3318OS3EA56	100028.00		LM24152	33	.5018ES3EB56C	102917.00		LM24074	69
.5018OS3EA56	100029.00		LM24098	33	.3318ES3EB56C	102922.00		LM24114	69
.7518OS3EB56	100030.00		LM24099	33	.3336ES1BB56C	102929.00		LM24724	26
.3318OS3EA56CFL	100048.00		LM24910	59	.3318ES1BB56C	102930.00		LM24600	26
.5018OS3EA56CFL	100049.00		LM24912	59	.7318E1BB56	102931.00		LM24597	15
.7518OS3EB56CFL	100050.00		LM24915	59	.7536OS3EB56C	102971.00		LM24882	61
.5036OS3EA56CFL	100056.00		LM24911	59	.3318OS1BC48C	103023.00			23
.3318OS1BC48	100116.00			7	.5036OS1BC56C	103024.00			23
.5036OS1BC48	100184.00		LM24465	7	.7536OS1BB56C	103025.00			23
.5036OS1BJPR56C	100204.00			113	00118OS1BD56	110004.00		LM24580	8
.7536OS1BJPR56C	100205.00			113	00158OS1BF56	110005.00		LM24583	8
.5036OS1BJPR56J	100207.00			113	.7518ES1BB56	110013.00		LM24607	16
.7536OS1BJPR56J	100208.00			113	.5012OS3EB56	110027.00		LM24146	33
.3336OS1BC48	100336.00		LM24467	7	.7512OS3ED56	110028.00		LM24162	33
.5036OS1BC56	100337.00			7	00118OS3EB56	110029.00		LM24111	33
.5018OS1BC48	100338.00			7	.7518ES3EB56	110034.00		LM24075	43
.7536OS1BB56	100340.00		LM24674	7	00118ES3ED56	110035.00		LM24078	44
.3336OS1BC56CFL	100354.00		LM24688	21	0018OS3EB56CFL	110043.00		LM24917	59
.5036OS1BC56CFL	100356.00		LM24689	21	00158OS3ED56CFL	110044.00		LM24160	59
.7536OS1BB56CFL	100357.00		LM24690	21	.7518ES3EB56CFL	110047.00		LM24077	65
.3336OS3EA56CFL	100375.00		LM24909	59	.00118ES3ED56CFL	110048.00		LM24080	66
.7536OS3EB56CFL	100378.00		LM24914	59	.7518ES1BB56CFL	110057.00		LM24613	24
.3318OS3EA56	100446.00			33	00118ES1BD56CFL	110058.00		LM24614	25
.3336OS3EA56C	100599.00		LM24277	61	00136ES1BD56	110059.00		LM24708	16
.5036OS3EA56C	100600.00		LM24879	61	.5018ES1RFDB56	110086.00		LM24790	171
.05018OS3EA56C	100601.00		LM24880		.7518ES1RFDB56	110087.00		LM24791	171
.7518OS3EB56C	100602.00		LM24267	61	00118ES1RFDD56	110088.00		LM24792	171
.00136OS1BJPR56C	100722.00			113	00158ES1RFDF56H	110089.00		LM24794	171
.00136OS1BJPR56J	100723.00			113	00218ES1RFDF145T	110090.00			171
.3318ES1BRPFC4	100804.00		LM24448	174	00156ES1BD56	110094.00		LM24531	16
.5036ES3EB56	100905.00			43	00130S3EB56CFL	110111.00		LM24916	59
.5018ES3EB56	100913.00		LM24073	43	00158ES3ED56CFL	110125.00		LM24112	66
.7536ES3EB56	100960.00			43	00136ES3E3EB56	110145.00		LM24094	44
.5018ES3EB56	100961.00		LM24932	43	00136OS1BCDD56	110160.00			11
.3318ES3EB56	101079.00		LM24107	43	00156OS1BCDD56	110161.00			11
.5018ES1BPFC56	101176.00			174	.5012ES3EB56CFL	110163.00		LM24128	65
.3318ES1BPFC48	101253.00			174	00136ES1BD56C	110180.00		LM24727	26
.2518OS1BB48	101423.00		LM24458	7	.00136ES3EB65C	110181.00		LM24126	69
.3318ES1RADB56N	101435.00		LM24462	180	00156ES3EB56CFL	110192.00		LM24096	66
.5018ES1RADB56N	101436.00		LM24463	180	0018ES1BD56	110209.00		LM24610	16
.7518ES1RADB56N	101437.00		LM24812	180	00118OS1BD56CFL	110220.00		LM24586	21
.3336OS3EA56	101447.00		LM24867	33	0033OS1BCDF56	110222.00			11
.5036OS3EA56	101448.00		LM24869	33	00236OS1BCDD56	110232.00			11
.7536OS3EB56	101449.00		LM24870	33	00158ES1BF56	110253.00		LM24513	16
.5036OS1BJPR56C	101524.00				.7536ES1BB56	110276.00		LM24707	16
.7536OS1BJPR56C	101525.00				.00336OS1DJPR56C	110280.00			113
00136OS1BJPR56C	101526.00				.5036OS1BJP56J	110281.00			
.5036OS1BJP56J	101527.00				.7536OS1BJPR56J	110282.00			
.7536OS1BJP56J	101528.00				00136OS1BJPR56J	110283.00			
00136OS1BJP56J	101529.00				00150S1BJPR56J	110284.00			
.7536OS3EJPR56J	101637.00			115	00236OS1BJPR56J	110285.00			
00136OS3EJPR56J	101638.00			115	.00336OS1DJPR56J	110286.00			113
.2518ES3EB56	101646.00		LM24929	43	.00156OS1BJPR56C	110288.00			113
.3318ES3EB56	101647.00		LM24930	43	.00236OS1BJPR56C	110289.00			113
.7518OS1BD56C	101650.00		LM24699	23	.00156OS1BJPR56J	110292.00			113
.5018OS1BC56C	101651.00		LM24697	23	.00236OS1BJPR56J	110293.00			113
.3318ES3EB56CFL	101769.00		LM24093	65	.7536ES3EB56	110313.00		LM24133	43
00136OS3EJPR56J	101775.00			115	00236ES1BF56	110352.00		LM24534	17
.7536OS3EJPR56J	101776.00			115	.5012ES3EB56	110353.00		LM24105	43
.3336OS3EJPR56J	102197.00			115	00136OS1BD56	110360.00		LM24525	8
.5036OS3EJPR56J	102198.00			115	00156OS1BD56	110361.00		LM24524	8
.5036OS3EJPR56J	102199.00			115	00236OS1BF56	110363.00		LM24624	8
.5018ES3EB56CFL	102860.00		LM24083	65	00136OS1BD56CFL	110384.00		LM24526	21
.5018ES1BB56CFL	102862.00		LM24599	24	00158OS1BD56CFL	110387.00		LM24523	22
.3336ES3EB56	102864.00		LM24736	24	00158OS1BF56CFL	110388.00		LM24587	22

- DC Motors
- Gearmotors
- Ac / DC Controls
- Accessories / Kits
- Mods / Factory Options
- X-Ref / Index
- Tech Information
- Terms / Warnings
- Other Products



This information is furnished as a guide only. Always check specific motor to determine suitability for direct replacement

Cross Reference

WEG to Leeson and Lincoln

Competitor Catalog #	LEESON Catalog #	Exception Code(s) To LEESON	Lincoln Catalog #	LEESON Page #	Competitor Catalog #	LEESON Catalog #	Exception Code(s) To LEESON	Lincoln Catalog #	LEESON Page #
002360S1BF56CFL	110390.00		LM24527	22	001580S1BF56C	113932.00		LM24701	23
.7512ES1BF56	110400.00		LM24497	16	0012ES3EF56	113933.00		LM24159	44
.5012ES1BD56CFL	110411.00		LM24737	24	00158ES1RFD145T	113938.00		LM24795	171
.7536ES1BB56CFL	110413.00		LM24738	24	.5036ES1BJPR56J	113955.00			114
.7512ES1BF56CFL	110414.00		LM24739	24	.7536ES1BJPR56J	113956.00			114
00136ES1BD56CFL	110416.00		LM24740	25	00136ES1BJP56J	113957.00			114
00156ES1BD56CFL	110419.00		LM24535	25	0015ES1BJP56J	113958.00			114
00158ES1BF56CFL	110420.00		LM24622	25	00236ES1BJP56J	113959.00			114
00236ES1BF56CFL	110422.00		LM24530	25	.5036ES3EB56C	114142.00		LM24129	69
.3312OS3EA56	110425.00		LM24868	33	.5036ES3EB56CFL	114176.00		LM24138	65
00136OS3EB56	110426.00		LM24155	33	00336OS3EJPR56J	114201.00			115
00156OS3ED56	110429.00		LM24874	34	00236OS3EJPR56J	114202.00			115
00158OS3ED56	110430.00		LM24117	34	00136OS3EJPR56J	114203.00			115
.5012OS3EB56CFL	110434.00		LM24913	59	00336ES3EJPR56J	114204.00			116
00156OS3ED56CFL	110437.00		LM24919	59	00236ES3EJPR56J	114205.00			116
00158ES3ED56	110444.00		LM24118	44	00156ES3EJPR56J	114206.00			116
.3336ES3EB56CFL	110446.00			65	00136ES3EJPR56J	114207.00			116
.7536ES3EB56CFL	110448.00		LM24151	65	.7536ES3EJPR56J	114208.00			116
00218ES3EF56CFL	110451.00		LM24084	66	00236OS3ED56C	114218.00			61
00156ES3EB56	110745.00		LM24144	44	00336OS3EF56CFL	114420.00		LM24923	60
00118OS3EB56C	110901.00		LM24346	61	000336ES3EF56	114614.00			45
00158OS3ED56C	110902.00		LM24889	61	0036EP3ERS182TC	114615.00		LM24953	71
.7518ES1BB56C	110905.00		LM24615	26	.5036ES3EJPR56J	114931.00			116
00118ES1BD56C	110908.00		LM24616	26	00158OS3ED56	115825.00			34
00156ES1BD56C	110909.00		LM24539	26	00218OS3EF56	115826.00			34
00158ES1BF56C	110910.00		LM24728	26	00118OS3EB56	115827.00			33
0018ES3ED56C	110912.00		LM24079	69	00218OS3EF56	115828.00			45
.5012ES3EB56C	110914.00		LM24104	69	00158ES3ED56	115829.00			44
.7536ES3EB56C	110915.00		LM24134	69	00118ES3ED56	115830.00			44
.7518ES3EB56C	110916.00		LM24076	69	00218ES3EF56C	116106.00		LM24081	70
00156ES3EB56C	110917.00		LM24135	70	.7512ES3ED56C	116340.00		LM24140	69
00158ES3ED56C	110918.00		LM24095	70	00218OS3EF56C	116630.00		LM24345	61
0118ES1BRBPF56	111267.00			174	.7512OS3EB56CFL	116728.00			59
00236ES3ED56CFL	111273.00		LM24132	66	00118ET3ERS143TC	116745.00			69
00536OS1CCDG56	111275.00			11	00158ET3ERS145TC	116746.00			70
00158OS3ED56	111309.00			34	00218ET3ERS145TC	116747.00			70
00218OS3EF56	111310.00			34	00136ES3EB56CFL	116748.00			66
.5018ES1BRBPF56	111323.00			174	0013601BD56C	116769.00			23
.7518ES1BRBPF56	111324.00			174	001560S1BD56C	116770.00			23
00336ES3EF56CFL	111630.00		LM24975	67	0023600S1BF56C	116771.00			23
00236ES3ED56	111916.00		LM24347	45	00136OS3EB56C	116784.00		LM24884	61
.7536ES1BB56C	112135.00		LM24726	26	00156OS3ED56C	116785.00			61
.7512ES3ED56CFL	112378.00		LM24153	65	0018ES1E143T	120025.00		LM24709	16
00112ES3EF56CFL	112379.00		LM24130	66	00158ES1E145T	120026.00		LM24711	16
00218OS3EF56	113025.00		LM24106	34	00236ES1E145T	120036.00		LM24712	17
00218ES3EF56	113026.00		LM24097	45	00218OS1BG56	120067.00		LM24677	8
.7536ES3EJP56J	113028.00			116	00156ES1E143T	120130.00		LM24710	16
00136ES3EJP56J	113029.00			116	00336ES1E145T	120341.00		LM24714	17
00156ES3EJP56J	113030.00			116	00118ET3ER143T	120921.00		LM32796	44
00236ES3EJP56J	113031.00			116	00118OT3E143T	121003.00		LM24871	33
00336ES3EJP56J	113032.00			116	00158OT3E145T	121004.00		LM24875	34
.3318ES1RFD56	113256.00		LM24789	171	00218OT3EN145T	121005.00		LM24169	34
02180S1BG56C(W/O MRQL)	113281.00			23	.7512ES3ED56	121009.00		LM24103	43
00236OS3ED56	113292.00		LM24877	34	00118ET3ERS143TC	121179.00		LM32822	69
00336OS3EF56	113293.00		LM24878	34	00158EP3ERS145TC	121180.00		LM32825	70
00118ES1RADD56N	113301.00		LM24814	180	00218ET3ERS145TC	121181.00		LM32829	70
00118ES1RADD56N	113302.00		LM24813	180	00218ES1E145T	121507.00			17
.5036ES1BJP56J	113637.00			114	00156OT3E143T	121514.00		LM32727	34
.7536ES1BJP56J	113638.00			114	00236OT3E145T	121515.00		LM33137	34
00136ES1BJPR56J	113639.00			114	00336OT3E145T	121516.00		LM32731	34
00156ES1BJPR56J	113640.00			114	00112OT3E145T	121517.00		LM24872	33
00236ES1BJPR56J	113641.00			114	00118ES1RFD143T	121569.00		LM24793	171
00156OS1BJPR56C	113686.00				00156EP3ERS143TC	121672.00		LM32824	70
00156OS1BJP56J	113687.00				00236ET3ERS145TC	121673.00		LM32828	70
00156OS3EJPR56J	113891.00			115	00156XP3E143T	121914.00			101
00236OS3EJPR56J	113892.00			115	00158XP3E145T	121915.00			101
00336OS3EJPR56J	113893.00			115	00236XP3E145T	121916.00			101
00236OS3ED56CFL	113894.00		LM24921	60	00218XP3E145T	121917.00			101
00236ES3ED56C	113927.00		LM24121	70	00336OS3EF56C	121928.00		LM32770	62
00118OS1BD56C	113930.00		LM24700	23	00118EP3E143TC	121936.00			69
00236ES1BF56C	113931.00		LM24729	27	00118ET3H143T	121937.00		LM24109	209
					00112ET3H145T	121938.00			209

This information is furnished as a guide only.
Always check specific motor to determine suitability for direct replacement



Cross Reference

WEG to Leeson and Lincoln

Competitor Catalog #	LEESON Catalog #	Exception Code(s) To LEESON	Lincoln Catalog #	LEESON Page #	Competitor Catalog #	LEESON Catalog #	Exception Code(s) To LEESON	Lincoln Catalog #	LEESON Page #
00156ET3H143T	121939.00		LM25102	209	04018OT3E324T	170017.60		LM13811	36
00158ET3H145T	121940.00		LM24142	209	04018ET3E324T	170019.60		LM13699	49
00236ET3H145T	121941.00		LM25103	209	05018OT3E326T	170021.60		LM13813	36
00218ET3H145T	121942.00		LM24108	209	05018ET3E326T	170023.60		LM19753	49
00318ET3ERS182T	131463.00		LM32741	45	06018OT3E364T	170025.60		LM14813	36
00518ET3ERS184T	131464.00		LM15650	46	06018ET3E364T	170027.60		LM14809	49
00518ET3ES184TC	131502.00		LM16747	71	07518OT3E365T	170029.60		LM14815	37
00318ET3ERS182TC	131504.00		LM16742	71	07518ET3E365T	170031.60		LM14811	50
00318OT3E182T	131534.00		LM24222	34	02036OT3E254T	170032.60		LM32745	35
00518OT3E184T	131520.00		LM24202	35	02036ET3E256T	170033.60		LM15673	47
00152ES1E182T	131526.00			16	02536OT3E256T	170034.60		LM32747	36
00318ES1E184T	131533.00		LM24716	17	02536ET3E284TS	170035.60		LM13960	48
00318OS1D184T	131534.00		LM24680	9	03036OT3E284TS	170036.60		LM32687	36
00518OS1C184T	131537.00		LM24682	9	03036ET3E286TS	170037.60		LM60046	48
00518ES1E184T	131538.00		LM24718	17	04036OT3E286TS	170038.60		LM13969	36
00218ES1RFDF182T	131541.00		LM24796	171	04036ET3E324TS	170039.60		LM19749	49
00318ES1DFD184T	131542.00		LM24801	171	05036OT3E324TS	170040.60		LM13812	36
00518ES1DFD184T	131543.00		LM24798	171	05036ET3E326TS	170041.60		LM60052	49
00536ES1E184T	131549.00		LM24717	17	06036OT3E326TS	170042.60		LM13814	36
00536OS1D184T	131616.00		LM24681	9	06036ET3E364TS	170043.60		LM14808	49
518OS1CCDOL184T	131622.00			9	07536OT3E364TS	170044.60		LM13945	37
00336OS1D182T	131636.00		LM24679	9	07536ET3E365TS	170045.60		LM14810	50
00336ES1E182T	131637.00		LM24715	17	01536ET3E254T	170062.60		LM15890	47
00152OT3E182T	131971.00			34	01536OT3E215T	170064.60			35
00212OT3E184T	131972.00			34	01518OT3E254T	170065.60		LM24190	35
00152ET3E182T	131980.00		LM15648	44	01518ET3E254T	170066.60		LM24208	47
00212ET3E184T	131981.00		LM15651	45	01512OT3E284T	170067.60		LM31244	47
00336ET3E182T	131985.00		LM15646	45	01512ET3E284T	170068.60		LM15793	47
00536OT3E182T	131986.00		LM32734	35	10018ET3E405T	170087.60		LM19762	50
00536ET3E184T	131987.00		LM15649	46	04012ET3E364T	170096.60		LM13918	49
00736OT3E184T	131988.00		LM32737	35	05012ET3E365T	170097.60		LM19754	49
00336ET3ERS182TC	132079.00		LM16741	71	06012ET3E404T	170098.60		LM13938	49
00536ET3ERS184TC	132080.00		LM16745	71	07512ET3E405T	170099.60		LM60060	50
00212ET3ERS184TC	132243.00		LM32830	70	01512ET3E284TC	170104.60			72
00152ET3H183T	132251.00		LM17059	209	LM16764	170104.60			72
00212ET3H184T	132252.00		LM17062	209	03036ET3E286TC	170108.60		LM16773	73
00318ET3H182T	132253.00		LM16384	210	04036ET3E324TSC	170110.60		LM13725	73
00536ET3H184T	132254.00		LM16386	210	05036ET3E326TSC	170112.60		LM13727	73
00518ET3H184T	132255.00		LM17067	210	06036ET3E364TSC	170114.60		LM15562	73
00718ES1E215T	140120.00		LM24720	17	01518ET3H354T	170116.60		LM16400	211
00718OS1CCD215T	140155.00		LM24683	9	0208ET3H256T	170117.60		LM15919	211
00718ET3ERS213T	140450.00		LM16029	46	02518ET3H384T	170118.60		LM16407	211
01018ET3ERS215T	140451.00		LM32809	47	03018ET3H286T	170119.60		LM19595	211
00718OT3E213T	140470.00		LM24194	35	04018ET3H324T	170120.60	F33	LM14396	211
01018OT3E215T	140472.00		LM24193	35	05018ET3H326T	170121.60		LM14411	211
00718ET3ERS213TC	140521.00		LM32838	71	00712ET3E254T	170122.60		LM15892	46
01018ET3ERS215TC	140522.00		LM32841	72	01012ET3E256T	170123.60		LM15675	47
01018ES1E215T	140581.00		LM24722	17	00712ET3E254TC	170138.60		LM16753	71
00736OS1C184T	140680.00			9	01012ET3E356TC	170139.60		LM16759	72
00736ES1E213T	140684.00		LM24719	17	01018ET3E215T	170140.60		LM60036	47
01036ES1E215T	140685.00		LM24721	17	00718OT3E213T	170142.60			35
01018ES1DFD215T	140706.00			171	01018OT3E215T	170144.60			35
00718ES1DFD215T	140707.00		LM24799	171	00712OT3E254T	170145.60		LM32738	
00212ES1E213T	140747.00			17	01012OT3E256T	170146.60		LM32742	35
01036OT3E213T	140753.00		LM32740	35	04012OT3E364T	170147.60		LM13924	36
01036ET3ERS215TC	140769.00		LM32840	72	05012OT3E365T	170148.60		LM13927	36
00736ET3ERS213TC	140770.00		LM16750	71	06012OT3E404T	170149.60		LM13944	36
00312ET3ERS213TC	140834.00		LM32833	71	07512OT3E405T	170150.60		LM13947	37
00718ET3H213T	141116.00		LM16391	210	10036OT3E365TS	170151.60		LM14814	37
02509EP3E326T	150265.22				10018OT3E404T	170152.60		LM13943	37
02012OT3E286T	170000.60		LM30273		12536OT3E404TS	170154.60		LM13942	37
02012ET3E286T	170001.60		LM15796	47	12518OT3E405T	170155.60		LM13946	37
02512OT3E324T	170002.60		LM13809		00718ET3E213T	170157.60		LM24209	46
02512ET3E324T	170003.60		LM13696	48	00736ET3E213T	170158.60		LM15878	46
03012OT3E326T	170004.60		LM13810	36	01036ET3E215T	170159.60		LM15861	47
03012ET3E326T	170005.60		LM60048	48	10036ET3E405TS	170160.60		LM13939	50
02018OT3E256T	170006.60		LM24199	35	00718ET3E213TC	170165.60		LM16752	71
02018ET3E256T	170007.60		LM24207	47	00736ET3E313TC	170166.60		LM62085	71
02518OT3E284T	170009.60		LM29576	36	01018ET3E215TC	170167.60		LM62026	72
02518ET3E284T	170011.60		LM15792	48	01036ET3E215TC	170168.60		LM62025	72
03018OT3E286T	170013.60		LM29577	36	000736ET3H213T	170196.60		LM16389	210
03018ET3E286T	170015.60		LM13964	48	01036ET3H215T	170197.60		LM16394	210



This information is furnished as a guide only. Always check specific motor to determine suitability for direct replacement

DC Motors

Geomotors

Ac / DC Controls

Accessories / Kits

Mods / Factory Options

X-Ref / Index

Tech Information

Terms / Warnings

Other Products

Cross Reference

WEG to Leeson and Lincoln

Competitor Catalog #	LEESON Catalog #	Exception Code(s) To LEESON	Lincoln Catalog #	LEESON Page #	Competitor Catalog #	LEESON Catalog #	Exception Code(s) To LEESON	Lincoln Catalog #	LEESON Page #
01536ET3H354T	170198.60	C02	LM17075	211	00236EP3ESS56C	191221.00			156
0236ET2H256T	170199.60		LM16403	211	00218EP3ESS56C	191223.00			156
0108ET3H215T	170212.60	C02	LM17073	210	00218EP3ESS56CFL	191225.00			157
02536ET3H284TS	170224.60		LM16406	211	00118NP3ESS56CFL	191290.00			157
03036ET3H286TS	170228.60		LM20085	211	00108NP3ESS56C	191291.00			156
04036ET3H324TS	170232.60		LM14407	211	EP3ESS56C	191414.00			156
06018ET3H364T	170239.60		LM18369	212	.7512EP3ESS56C	191415.00			156
07518ET3H365T	170244.60		LM18372	212	.5012EP3ESS56CFL	191419.00			157
10018ET3H405T	170253.60		LM18292	212	.7512EP3ESS56CFL	191420.00			157
10012OT3E444T	170255.60		LM13815	37	00118EP3ESS143TC	191487.00			156
10012ET3E444T	170256.60		LM13702	50	00156EP3ESS143TC	191488.00			156
12512OT3G445T	170259.60		LM13816	37	00236EP3ESS145TC	191490.00			156
12512ET3E445T	170260.60		LM13705	50	00218EP3ESS145TC	191491.00			156
20018ET3G447T	170352.60		LM16230	51	00336EP3ESS182TC	191492.00			156
12518ET3E444T	170369.60		LM60065	50	.1836EP3EAL63	192010.00			266
15018ET3G445T	170371.60		LM13707	51	.1818EP3EAL63	192011.00			266
07536ET3E365TSC	171115.60		LM15566	73	.1812EP3EAL71	192012.00			266
00512ET3E215TC	171116.60		LM32835	71	.2536EP3EAL63	192020.00			266
15012ET3G447T	171315.60		LM16231	51	.2518EP3EAL71	192021.00			266
20012ET3G447T	171316.60		LM60072	51	.2512EP3EAL71	192022.00			266
00318ET3E182T	171320.60		LM60026	45	.3736EP3EAL71	192030.00			266
00518ET3E184T	171322.60		LM24195	46	.3718EP3EAL71	192031.00			266
00312ET3E213T	171378.60		LM60027	45	.3712EP3EAL80	192032.00			266
00512ET3E215T	171379.60		LM15883	46	.5536EP3EAL71	192040.00			266
00536ET3E184TC	171446.60		LM62019	71	.5518EP3EAL80	192041.00			266
15036OT3G405TS	171449.60		LM13945	37	.5512EP3EAL80	192042.00			266
15018OT3G444T	171522.60		LM13817	37	.7536EP3EAL80	192050.00			266
20018OT3G445T	171523.60		LM13820	37	.7518EP3EAL80	192051.00			266
0036ET3E182TC	171564.60		LM62016	71	00136EP3EAL80	192060.00			266
00318ET3E182TC	171565.60		LM62017	71	.7512EP3EAL90S	192200.00			266
00518ET3E184TC	171566.60		LM62020	71	00118EP3EAL90S	192202.00			266
20036OT3G444TS	171573.60		LM13819	37	00236EP3AL90L	192209.00			266
00312OT3E213T	171574.60		LM32733	34	002118EP3EAL100L	193301.60			266
00512OT3E215T	171575.60		LM32735	35	00212EP3E112M	193302.60			266
15012OT3G445T	171576.60		LM13818	37	00336EP3EAL100L	193303.60			266
20012OT3G447/9T	171577.60		LM16239	37	00318EP3EAL100L	193304.60			266
15036ET3G445TS	171578.60		LM13706	51	00312EP3AL132S	193305.60			266
20036ET3G447TS	171579.60		LM16229	51	000436EP3EAL112M	193306.60			266
12536ET3G444TS	171580.60		LM60064	50	000418EP3EAL112M	193307.60			266
01536ET3E254C	171586.60		LM16761	72	000412EP3EAL132M	193308.60			266
01518ET3E254TC	171587.60		LM16762	72	00536EP3EAL132S	193309.60			266
02036ET3E256TC	171588.60		LM62031	72	00518EP3EAL132S	193310.60			266
02018ET3E256TC	171589.60		LM62032	72	00512EP3EAL132M	193311.60			266
LM16767	171589.60		LM62032	72	00512EP3EAL132M	193312.60			266
02536ET3E284TSC	171590.60		LM32659	72	00718EP3EAL132M	193313.60			266
02518ET3E284TC	171591.60		LM62035	72	00712EP3E160M	193314.60			266
03018ET3E286TC	171592.60		LM16744	73	01136EP3E160M	193315.60			266
04018ET3E324TC	171593.60		LM62041	73	01118EP3E160M	193316.60			266
05018ET3E326TC	171594.60		LM62044	73	01112EP3E160L	193317.60			266
06018ET3E364TC	171595.60		LM62047	73	01536EP3E160M	193318.60			266
07518ET3EE365TC	171596.60		LM15567	73	01518EP3E160L	193319.60			266
10018ET3E405TC	171597.60		LM15263	74	01512EP3E180L	193320.60			266
00336ET3H182T	171624.60	F07		210	01836EP3E160L	193321.60			266
00118ET3E143T	171640.60		LM24102	44	01818EP3E180M	193322.60			266
00156ET3E143T	171642.60		LM15854	44	01812EP3E200L	193323.60			266
00112ET3E145T	171643.60		LM15856	44	02236EP3E180M	193324.60			266
00158ET3E145T	171646.60		LM25267	44	02218EP3E180L	193325.60			266
00218ET3E145T	171647.60		LM24127	45	02212EP3E200L	193326.60			266
00236ET3E145T	171648.60		LM15857	45	03036EP3E200L	193327.60			266
.3318EP3ESS56C	191201.00			156	03018P3E200L	193328.60			266
.3318EP3ESS56CFL	191202.00			157	03012EP3E225S/M	193329.60			266
.5036EP3ESS56C	191203.00			156	03736EPE200L	193330.60			266
.5018EP3ESS56C	191204.00			156	03718EP3E225S/M	193331.60			266
.5018EP3ESS56CFL	191205.00			157	03712EP3E205S/M	193332.60			266
.7536EP3ESS56C	191206.00			156	00118ST3QIE143T	811541.00			89
.7518EP3ESS56C	191207.00			156	00156ST3QIE143T	811542.00			89
.7518EP3ESS56CFL	191208.00			157	00158ST3QIE145T	811543.00			89
.00136EP3ESS56C	191209.00			156	00236ST3QIE145T	811544.00			89
00118EP3ESS56CFL	191213.00			157	00218ST3QIE145T	811545.00			89
00156EP3ESS56C	191215.00			156	00336ST3QIE182T	811546.00			89
00158EP3ESS56C	191217.00			156	00318ST3QIE182T	811547.00			89
00158EP3ESS56CFL	191219.00			157	00536ST3QIE184T	811548.00			89

This information is furnished as a guide only.
Always check specific motor to determine suitability for direct replacement



Competitor Catalog #	LEESON Catalog #	Exception Code(s) To LEESON	Lincoln Catalog #	LEESON Page #	Competitor Catalog #	LEESON Catalog #	Exception Code(s) To LEESON	Lincoln Catalog #	LEESON Page #
00518ST3QIE184T	811549.00			89	00218EP3ER145TC	G121178.00			101
00736ST3QIE213T	811550.00			89	0018ES3EBM143T	G121679.00			258
00718ST3QIE213T	811551.00			89	0018ESEB143T	G121679.00			258
01036ST3QIE215T	811552.00			89	00158OP3E145JP	G121846.00			119
01018ST3QIE215T	811553.00			89	00218OP3E145JP	G121847.00			119
01536ST3QIE254T	811554.00			89	00336OP3E145JP	G121849.00	C56		119
01518ST3QIE254T	811555.00			89	00118OP3E143JM	G121850.00			121
02036ST3QIE256T	811556.00			89	00158P3E145JM	G121851.00			121
02018ST2QIE256T	811557.00			89	00218OP3E145JM	G121852.00			121
02536ST3QIE284TS	811558.00			89	00236OP3E145JM	G121853.00			121
02518ST3QIE284T	811559.00			89	00336OP3E145JM	G121854.00			121
03036ST2QIE286TS	811560.00			89	00118EP3E143JM	G121855.00			122
03018ST3QIE286T	811561.00			89	00158EP3E145JM	G121856.00			122
04036ST3QIE324TS	811562.00			89	00218EP3E145JM	G121857.00			122
04018ST3QIE324T	811563.00			89	00156EP3E143JM	G121858.00			122
05018ST3QIE326T	811564.00			89	00236EP3E145JM	G121859.00			122
05036ST3QIE326TS	811564.00			89	00336EP3E145JM	G121860.00			122
06036ST3QIE364TS	811566.00			89	00109EP3E182T	G131478.00		LM32662	44
06016ST3QIE364T	811567.00			89	00152EP3ERS182T	G131479.00		LM32798	44
07536ST3QIE365TS	811568.00			89	00318EP3ERSR182TC	G131491.00		LM16298	67
07518ST3QIE365T	811569.00			89	00518EP3ERSR184TC	G131492.00		LM16299	67
10036ST3QIE405TS	811570.00			89	00736EP3ERSR213TC	G131510.00			67
10018ST3QIE405T	811571.00			89	0036EP3ER182TC	G131513.00			67
00518XT3E184TC	825071.00			102	00536EP3ERSR184TC	G131514.00			67
00718XT3E213TC	825073.00			102	00212EP3ERSR184TC	G131525.00			66
01018XT3E215TC	825075.00			102	00318OP3E182JM	G131562.00			121
01518XT3E254TC	825077.00			102	00518OP3E184JM	G131563.00			121
02018XT3E256TC	825079.00			102	00536OP3E182JM	G131574.00			121
02518XT3E284TC	825081.00			102	00736OP3E184JM	G131576.00			121
03018XT3E286TC	825082.00			102	00318EP3E182JM	G131579.00			122
04018XT3E324TC	825083.00			102	00536EP3E184JM	G131580.00			122
05018XT3E326TC	825084.00			102	00518EP3E184JM	G131581.00			122
00318XT3E182T	825085.00			103	00736EP3E184JM	G131582.00			122
00536XT3E184T	825086.00			103	00318ES3EBM182T	G131613.00			258
00518XT3E184T	825087.00			103	00518ES3EBM184T	G131614.00			258
00736XT3E213T	825088.00			103	00212ES3EBM184T	G131620.00			258
00718XT3E213T	825089.00			103	00312EP3ERSR213TC	G131642.00		LM32850	
01036XT3E215T	825090.00			103	00318OP3E182JP	G131882.00			119
01018XT3E215T	825091.00			103	00518OP3E184JP	G131883.00	C56		119
01536XT3254T	825092.00			103	00536OP3E182JP	G131884.00			119
01518XT3E254T	825093.00			103	00736OP3E184JP	G131885.00			119
02036XT3E256T	825094.00			103	00736EP3E213JM	G132027.00			122
02018XT3E256T	825095.00			103	00152EP3ERSR182TC	G132249.00			66
02536XT3E284TS	825096.00			103	01018EP3ERSR215TC	G140109.00		LM32855	67
02518XT3H284T	825097.00			103	00209EP3E213T	G140516.00		LM32799	45
03036XT3E286TS	825098.00			103	00512EP3ERSR215TC	G140535.00		LM32852	67
03018XT3E286T	825099.00			103	00312ES3EBM213T	G140601.00			258
04036XT3E324TS	825100.00			103	00718ES3EBM213T	G140603.00			258
04018XT3E324T	825101.00			103	00718OP3E213JM	G140618.00			121
05036XT3E326TS	825102.00			103	01018OP3E215JM	G140619.00			121
05018XT3E326T	825103.00			103	00718EP3E213JM	G140622.00			122
06036XT3E364TS	825104.00			103	01018EP3E215JM	G140623.00			122
06018XT3E364T	825105.00			103	01018ES3EBM215T	G140636.00			258
07536XT3E365TS	825106.00			103	01036OP3E213JP	G140655.00			119
07518XT3E365T	825107.00			103	01536OP3E215JP	G140656.00			119
10036XT3E495TS	825108.00			103	00718OP3E213JP	G140667.00			119
10018XT3E405T	825109.00			103	01018OP3E215JP	G140668.00			119
12536XT3G444TS	825110.00			103	01036EP3ERSR215TC	G140690.00			67
12518XT3E444T	825111.00			103	01536EP3E215JM	G140764.00			122
15036XT3G4445TS	825112.00			103	00718EP3ERSR213TC	G141113.00		LM16300	67
15018XT3E445T	825113.00			103	01036OP3E213JM	G141121.00			121
00336XT3E182TC	825125.00			102	01036EP3E215JM	G141122.00			122
00318XT3E182TC	825126.00			102	01509EP3E286T	G150261.22			47
00118EP3ERSR143TC	G120024.00		LM24080	66	02009EP3E324T	G150263.22			47
00158EP3ERSR145TC	G120037.00		LM24149	66	01009EP3E284T	G150282.22			47
00218EP3ERS145TC	G120038.00		LM24125	66	00736EP3ER213TC	G151345.60		LM32852	67
00236EP3ERSR145TC	G120061.00		LM32678	66	00718EP3ER213TC	G151346.60			67
00112EP3ERSR145TC	G120098.00		LM32846	66	01036EP3ER215TC	G151347.60		LM32854	67
00156EP3ERSR143TC	G120105.00		LM32810	66	0108EP3ER215TC	G151348.60		LM16301	67
00158ES3EBM145T	G120329.00			258	0158EP3ER254TC	G151350.60		LM16828	68
00218ES3EBM145T	G120330.00			258	02036EP3ER256TC	G151351.60			68
0012ES3EBM145T	G121050.00			258	02018EP3ER256TC	G151352.60		LM16829	68

DC Motors

Gearmotors

Ac / DC Controls

Accessories / Kits

Mods / Factory Options

X-Ref / Index

Tech Information

Terms / Warnings

Other Products



This information is furnished as a guide only. Always check specific motor to determine suitability for direct replacement

Cross Reference

WEG to Leeson and Lincoln

Competitor Catalog #	LEESON Catalog #	Exception Code(s) To LEESON	Lincoln Catalog #	LEESON Page #	Competitor Catalog #	LEESON Catalog #	Exception Code(s) To LEESON	Lincoln Catalog #	LEESON Page #
000509EP3E254T	G151355.22		LM32803	46	05036ET3326TS	LM32685			100
00709EP3E256T	G151356.22		LM32807	46	00118ET3E143T	LM32856			91
01518OP3E254JM	G151361.60	C56		121	00536ET3E184T	LM32864			91
02018OP3E256JM	G151362.60			121	00512ET3E215T	LM32867			91
01536OP3E215JM	G151380.60			121	00718ET3E213	LM32869			91
02036OP3E254JM	G151381.60			121	01518ET3E254T	LM32873			91
02536OP3E256JM	G151382.60			121	01512ET3E284T	LM32874			91
02536EP3E256JM	G151417.60			122	02018ET3E256T	LM32876			91
02518EP3E284JM	G151418.60			122	02012ET3E286T	LM32877			91
03036EP3E284JM	G151420.60			122	02518ET3E284T	LM32879			91
03018EP3E286JM	G151422.60			122	03018ET3E286T	LM32882			91
04036EP3E286JM	G151424.60			122	05018ET3E326T	LM32887			100
04018EP3E324JM	G151426.60			122	05012ET3E365T	LM32888			100
02518EP3ER284TC	G151507.60			68	07518ET3E365T	LM32893			100
03018EP3ER286TC	G151508.60			68	10036ET3E405T	LM32895			100
047018EP3ER324TC	G151509.60			68	10018ET3E405T	LM32896			100
05018EP3ER326TC	G151510.60			68	12518ET3G444T	LM32899			100
35018OP3G447/9T	G151518.60		LM13829	38	15018ET3G445T	LM32902			100
25018OP3G445T	G151524.60		LM13823	38	20018ET3G447T	LM32905			100
30018OP3G447/9T	G151525.60			38	.3318ES1RFDB56	M002256.00			182
01536EP3E254JM	G151567.60			122	.5018ES1RFDB56	M009086.00			182
01518EP3E254JM	G151568.60			122	.7518ES1RFDB56	M009087.00			182
02036EP3E254JM	G151569.60			122	00158ES1RFDD56H	M009089.00			182
02018EP3E256JM	G151570.60			122	0118ES1RFDD56	M009089.00			182
00158EP3E145JP	G151736.60			123	00218ES1RFDD56H	M009090.00			182
00218EP3E145JP	G151737.60			123	.3318ES1BPFC48	M090253.00			174
00336EP3E182JP	G151738.60			123	PCQ105H	MST1052.00			
00318EP3E182JP	G151739.60			123	PCQ107H	MST1072.00			
00536EP3E184JP	G151740.60			123	PCQ110H	MST1102.00			
00518EP3E184JP	G151741.60			123	PCQ150H	MST1152.00			
00736EP3E213JP	G151742.60			123	PCQ120H	MST1202.00			
00718EP3E213JP	G151743.60			123	PCJ105H	MT1052.00			
01036EP3E215JP	G151744.60			123	PCJ107H	MT1072.00			
01018EP3E215JP	G151745.60			123	PCJ110H	MT1102.00			
01536EP3E215JP	G151746.60			123	PCJ115H	MT1152.00			
01518EP3E254JP	G151747.60			123	PCJ120H	MT1202.00			
02036EP3E254JP	G151748.60			123					
02018EP3E256JP	G151749.60			123					
02536EP3E256JP	G151750.60			123					
02518EP3E284JP	G151751.60			123					
03036EP3E286JP	G151752.60			123					
03018EP3E286JP	G151753.60			123					
04036EP3E324JP	G151754.60			123					
04018EP3E324JP	G151755.60			123					
05036EP3E324JP	G151756.60			123					
0018EP3ESS143TCFL	G191214.00			157					
00158EP3ESS145CFL	G191220.00			157					
00218EP3ESS56CFL	G191226.00			157					
02518OP3E284JM	G801028.00			121					
03018OP3E286JM	G801029.00			121					
04018OP3E324JM	G801030.00			121					
03036OP3E284JM	G801040.00			121					
04036OP3E286JM	G801041.00			121					
05036OP3E324JM	G801042.00			121					
01518OP3E254JP	G801051.00			119					
02018OP3E256JP	G801052.00			119					
02518OP3E384JP	G801053.00			119					
03018OP3E286JP	G801054.00			119					
04018OP3E324JP	G801055.00								
02036OP3E254JP	G801056.00			119					
02536OP3E256JP	G801057.00			119					
03036OP3E284JP	G801058.00			119					
04036OP3E286JP	G801059.00			119					
05036OP3E324JP	G801060.00			119					
00318XP3ER182TC	G825116.00			101					
00518XP3ER184TC	G825128.00			101					
25018ET3G447T	LM14643			100					
00318ET3E182T	LM16644			91					
00518ET3E184T	LM16650			91					
00712ET3ERS254T	LM16656			91					
01018ET3E215T	LM16919			91					
00112ET3E145T	LM32587								

This information is furnished as a guide only.
Always check specific motor to determine suitability for direct replacement



Cross Reference

DC Sub-FHP Gearmotor Reference

PZ SERIES DC GEARMOTORS: Parallel Shaft

Output RPM	F.L. Torque (lb.in.)	Input HP	LEESON Catalog No.	Cross Reference			
				Dayton	Bodine	Baldor	Bison
4	100	1/40	M1115002	6Z911	199	—	011-190-0362
			M1125046	—	—	—	—
10	100	1/20	M1115001	6Z912	198	GPP231108	011-190-0186
			M1125047	—	—	—	—
20	100	1/20	M1115000	6Z913	196	GPP232110	011-190-0096
			M1125048	—	—	GPP233120	—
30	100	1/17	M1125002	6Z914	190	GPP233112	011-190-0072
			M1125037	—	—	—	—
60	56	1/17	M1125003	6Z914	—	GPP233111	011-190-0025
			M1125036	—	—	GPP233121	—
100	36	1/17	M1125004	—	189	GPP12503	011-190-0019
			M1125035	—	—	—	—
150	24	1/17	M1125005	6Z916	188	—	011-190-0013
			M1125034	—	—	—	—
300	10	1/17	M1125006	—	157	—	011-190-0007
			M1125033	—	—	—	—

P300 SERIES DC GEARMOTORS: Parallel Shaft

Output RPM	F.L. Torque (lb.in.)	Input HP	LEESON Catalog No.	Cross Reference			
				Dayton	Bodine	Baldor	Bison
5	353	1/20	M1115024	6A193	—	—	011-336-1369
9	268	1/20	M1115025	6A194	4147	GPP233141	011-336-1208
18	150	1/20	M1115026	4Z134	4146	GPP233140	011-336-1091
24	280	1/8	M1125069	4Z130	4156	—	011-336-2082
31	220	1/8	M1125070	4Z383	4155	GPP12547	011-336-2060
34	82	1/20	M1115027	4Z133	—	GPP233112	011-336-1053
51	130	1/8	M1125071	4Z129	4154	—	011-336-2036
51	55	1/20	M1115028	4Z132	—	GPP233111	011-336-1030
61	113	1/8	M1125072	4Z382	4154	GPP12545	011-336-2028
94	77	1/8	M1125073	4Z381	4153	GPP12544	011-336-2019
109	27	1/20	M1115029	4Z131	—	—	011-336-1017
170	43	1/8	M1125074	4Z128	4151	GPP12542	011-336-2011

P1100 SERIES DC GEARMOTORS: Parallel Shaft

Output RPM	F.L. Torque (lb.in.)	Ratio to 1	Input HP	LEESON Catalog No.	Cross Reference	
					Dayton	Bison
8	1087	212	1/4	108700	6Z406	011-483-4197
12	1030	143	1/4	108701	6Z407	011-483-4131
18	750	95	1/4	108702	6Z408	011-483-4087
42	353	42	1/4	108703	6Z409	011-483-4041
60	238	29	1/4	108704	6Z410	011-483-4028
92	160	19	1/4	108705	6Z411	011-483-4018
135	105	13	1/4	108706	6Z412	011-483-4012
18	1112	95	1/2	108707*	6Z413	011-483-2087
33	882	53	1/2	108708*	6Z414	011-483-2058
42	705	42	1/2	108709*	6Z415	011-483-2041
60	476	29	1/2	108710*	6Z416	011-483-2028
92	320	19	1/2	108711*	6Z417	011-483-2018
135	210	13	1/2	108712*	6Z418	011-483-2012

* Indicates TEFC design, others are TENV

Application Notes:

P1100 DC gearmotors have the same mounting dimensions as Bison 483 gearmotors and Dayton gearmotors. For additional information, see Bulletin 1830.

This information is furnished as a guide only. Always check specific motor to determine suitability for direct replacement.

RIGHT-ANGLE DC GEARMOTORS

Output RPM	F.L. Torque (lb.in.)	Input HP	LEESON Catalog No.	Cross Reference		
				Dayton	Bodine	Baldor
42	30	1/17	M1115018	—	99	—
62	35	1/17	M1115019	—	98	GP233003~
125	20	1/17	M1115020	—	96	GP233007~
250	11	1/17	M1115021	—	94	—
500	6	1/17	M1115022	—	93	—
42	80	1/8	M1135069	6A192	—	GP7403~
62	70	1/8	M1135038	4Z137	4144	GP7402~
			M1135058	—	6144	—
125	45	1/8	M1135039	—	4142	—
					6142	—
250	25	1/8	M1135040	—	4141	—
500	13	1/8	M1135041	—	4140	—
62	135	1/4	M1135042	1L498	4138	GP7405~
			M1135062	—	—	GP7425~
83	125	1/4	M1135043	1L499	4137	GP7407~
			M1135063	—	—	GP7427~
125	90	1/4	M1135044	—	4136	—
250	50	1/4	M1135045	—	4135	—
500	30	1/4	M1135046	—	4134	—

~Mounting base and output shaft height are not 'drop-in' replacement.

Some Dayton and all Baldor right-angle gearmotors have double output shafts.

PE350 SERIES DC GEARMOTORS: Parallel Shaft

Output RPM	F.L. Torque (lb.in.)	Input HP	LEESON Catalog No.	Baldor	Cross Reference		
					Bodine	Bison	Dayton
7	330	1/8	M1135106	GPP7459	4175	011-348-7215	6ML63
			M1135139	GPP7479	—	—	6ML64
14	341	1/8	M1135107	GPP7462	4174	011-348-7102	6ML65
			M1135140	GPP7478	—	—	6ML66
21	371	1/4	M1135117	GPP7457	4173	—	6ML67
			M1135141	GPP7477	—	—	6ML68
27	305	1/4	M1135115	GPP7461	—	—	6ML69
			M1135142	—	—	—	6ML70
42	280	1/4	M1135108	GPP7456	4185	011-348-7041	6ML71
			M1135143	GPP7476	—	—	6ML72
50	250	1/4	M1135109	GPP7460	—	011-348-7034	6ML73
			M1135144	—	—	—	6ML74
62	220	1/4	M1135110	GPP7455	4184	011-348-7029	6ML75
			M1135145	GPP7475	—	—	6ML51
83	155	1/4	M1135114	GPP7454	4183	—	6ML52
			M1135146	GPP7474	—	—	6ML53
125	100	1/4	M1135111	GPP7453	4182	—	6ML54
			M1135147	GPP7473	—	—	6ML55
165	70	1/4	M1135112	GPP7452	4181	—	6ML56
			M1135148	GPP7472	—	—	6ML57
250	45	1/4	M1135116	GPP7451	4180	—	6ML58
			M1135149	GPP7471	—	—	6ML59
500	25	1/4	M1135113	GPP7450	4179	—	6ML60
			M1135150	GPP7470	—	—	6ML61



This information is furnished as a guide only. Always check specific motor to determine suitability for direct replacement

DC Motors
 Gearmotors
 Ac / DC Controls
 Accessories / Kits
 Mods / Factory Options
 X-Ref / Index
 Tech Information
 Terms / Warnings
 Other Products

Cross Reference

AC Sub-FHP Gearmotor Cross Reference

DC Motors

Gearmotors

AC / DC Controls

Accessories / Kits

Mods / Factory Options

X-Ref / Index

Tech. Information

Terms / Warnings

Other Products

PZ SERIES AC GEARMOTORS: Parallel Shaft

Output RPM	F.L. Torque (lb.in.)	Input HP	LEESON Catalog No.	Cross Reference			
				Dayton	Bodine	Baldor	Bison
2	100	1/150	M1125050	6Z074	—	—	016-103-2362
9	100	1/15	M1125127*	6Z076	0449	GCP24114	016-103-2186
19	100	1/15	M1125128*	6Z081	0448	GCP24122	016-103-1096
28	100	1/15	M1125129*	6Z082	0455	GCP24124	—
57	56	1/15	M1125130*	6Z083	0454	GCP24134	016-103-1025
94	36	1/15	M1125131*	6A197	0453	—	016-103-1019
142	24	1/15	M1125132*	—	0452	—	016-103-1013
283	12	1/15	M1125133*	—	0451	—	—

* These motors are TEFC.

P240 SERIES AC GEARMOTORS: Parallel Shaft

Output RPM	F.L. Torque (lb.in.)	Input HP	LEESON Catalog No.	Cross Reference			
				Dayton	Bodine	Baldor	Bison
8	345	1/15	M1145029	6Z816	0476	GCP24004	016-226-6215
15	250	1/15	M1145023	4Z518	0485	—	—
16	391	1/6	M1145030	6Z817	0485	—	016-226-6102
30	135	1/15	M1145024	4Z519	—	—	—
30	295	1/6	M1145031	6Z818	0484	—	016-226-6058
40	219	1/6	M1145032	6Z819	0483	GCP25052	016-226-6036
45	92	1/15	M1145025	4Z520	—	—	—
60	157	1/6	M1145033	6Z820	0482	GCP25054	016-226-6028
70	61	1/15	M1145026	4Z521	—	—	—
90	103	1/6	M1145034	6Z821	0481	GCP25056	016-226-6019
97	43	1/15	M1145027	4Z522	—	—	—
139	30	1/15	M1145028	4Z523	0480	—	—
156	60	1/6	M1145035	6Z822	—	GCP25060	016-226-6011

PE350 SERIES AC GEARMOTORS • SINGLE PHASE: Parallel Shaft

Output RPM	F.L. Torque (lb.in.)	Input HP	LEESON Catalog No.	Cross Reference			
				Baldor	Bodine	Bison	Dayton
5	310	1/12	096000	—	0671	016-246-6254	6MK70
9	341	1/12	096001	—	0669	016-246-6170	6MK71
14	330	1/12	096002	GCP9320	0636*	—	6MK72
19	250	1/12	096003	GCP9322	0635*	016-246-6082	6MK73
29	270	1/6	096004	—	0685	016-246-6058	6MK74
34	250	1/6	096005	—	—	—	6MK75
40	180	1/6	096006	—	0654*	—	6MK76
59	135	1/6	096007	GCP3305	0683	016-246-6028	6MK77
75	90	1/6	096008	—	0681	016-246-6023	6MK78
113	68	1/6	096009	—	0651*	016-246-6015	6MK79
160	45	1/6	096010	GCP3315	0680	016-246-6011	6MK80
340	25	1/6	096011	GCP3320	0679	016-246-6005	6MK81

*Split Phase Type

PE350 HIGH TORQUE • SINGLE PHASE: Cap Start

Output RPM	F.L. Torque (lb.in.)	Input HP	LEESON Catalog No.	Cross Reference			
				Baldor	Bodine	Bison	Dayton
58	320	1/3	096049	GLP3330	0664*	—	—
85	218	1/3	096050	GLP3332	0663*	—	—
173	109	1/3	096051	GLP3336	0662*	—	—
345	55	1/3	096052	GLP3338	0662*	—	—

*Split Phase Type

PE350 SERIES AC GEARMOTORS • THREE PHASE: Parallel Shaft

Output RPM	F.L. Torque (lb.in.)	Input HP	LEESON Catalog No.	Cross Reference			
				Baldor	Bodine	Bison	Dayton
58	320	1/3	096013	GMP3330	0666	017-246-0029	6MK82
85	218	1/3	096014	GMP3332	0642	017-246-0019	6MK83
173	109	1/3	096015	GMP3336	0665	017-246-0011	6MK84
345	55	1/3	096016	GMP3338	—	017-246-0005	6MK85

This information is furnished as a guide only. Always check specific motor to determine suitability for direct replacement.

P1100 SERIES AC GEARMOTORS • SINGLE PHASE: Parallel Shaft

Output RPM	F.L. Torque (lb.in.)	Ratio to 1	Input HP	LEESON Catalog No.	Cross Reference	
					Dayton	Bison*
8	975	212	1/4	107000	6Z400	014-482-4211
12	1030	143	1/4	107004	6K351	014-482-4143
18	800	95	1/4	107003	6Z401	014-482-4095
26	569	66	1/4	107002	6K352	—
59	248	29	1/4	107005	6K353	014-482-4029
133	114	13	1/4	107001	6K354	014-482-4011
18	1089	95	1/3	107006	6Z402	014-482-3095
26	752	66	1/3	107012	6K396	014-482-3066
41	461	42	1/3	107011	2Z842	014-482-3042
59	330	29	1/3	107010	6K369	014-482-3029
91	224	19	1/3	107009	2Z843	014-482-3019
157	125	11	1/3	107008	2Z844	014-482-3011
288	70	6	1/3	107007	2Z845	014-482-3006
22	1105	79	1/2	107013	6Z403	—
41	700	42	1/2	107017	6K375	014-482-2042
59	496	29	1/2	107016	6K583	014-482-2029
91	336	19	1/2	107015	6K383	014-482-2019
133	229	13	1/2	107014	6K506	014-482-2011

* Bison units are split phase design.

P1100 SERIES AC GEARMOTORS • THREE PHASE: Parallel Shaft

Output RPM	F.L. Torque (lb.in.)	Ratio to 1	Input HP	LEESON Catalog No.	Cross Reference	
					Dayton	Bison
18	1089	95	1/3	107025	6Z404	—
26	752	66	1/3	107026	4Z384	—
41	461	42	1/3	107027	4Z385	—
59	330	29	1/3	107028	4Z386	—
91	224	19	1/3	107029	4Z387	—
157	125	11	1/3	107030	4Z388	—
288	70	6	1/3	107031	4Z389	—
22	1105	79	1/2	107032	6Z405	017-482-0095
41	700	42	1/2	107033	4Z390	017-482-0042
59	496	29	1/2	107034	4Z391	017-482-0029
91	336	19	1/2	107035	4Z392	017-482-0019
133	229	13	1/2	107036	4Z393	017-482-0011
288	100	6	1/2	107037	4Z394	017-482-0006

Application Notes:

P1100 AC gearmotors have the same mounting dimensions as Bison 482 gearmotors and Dayton gearmotors. For additional information, see Bulletin 1830.

RIGHT-ANGLE AC GEARMOTORS

Output RPM	F.L. Torque (lb.in.)	Input HP	LEESON Catalog No.	Cross Reference			
				Dayton	Bodine	Baldor	Bison
28	37	1/15	M1125080	IL536	0492	—	—
43	34	1/15	M1125081	IL538	0491	GC24310~	—
58	40	1/15	M1125082	IL535	0487	—	—
85	24	1/15	M1125083	IL534	0490	GC24306~	—
173	14	1/15	M1125084	IL533	0488	GC24302~	—
29	110	1/6	M1145037	IL501	—	—	—
43	113	1/6	M1145038	IL502	0678	GC25020~	—
57	95	1/6	M1145082	IL503	—	GC25015~	026-756-8030
83	75	1/6	M1145039	IL504	0677	GC25010~	026-756-8020
170	43	1/6	M1145040	IL505	0672	—	026-756-8010
340	23	1/6	M1145041	—	0670	—	026-756-8005

~Mounting base and output shaft height are not 'drop-in' replacement. Some Dayton and all Baldor right-angle gearmotors have double output shafts.

This information is furnished as a guide only. Always check specific motor to determine suitability for direct replacement



Leeson Catalog Number Index

Motors, Sub-FHP Gearmotors, Drives and Accessories

Catalog No.	Model Number	HP	Weight	List \$	Page #	Catalog No.	Model Number	HP	Weight	List \$	Page #
970.576	970.576	1/8	3	208	279, 295	100015.00	C4C17DJ6	1/2	21	439	13, 187
970.577	970.577	1/6	4	214	279, 295	100016.00	C4C17DJ7	3/4	26	551	13, 187
970.600	970.600	1/8	3	208	279, 295	100018.00	M4C17DC2	1/3	18	419	21
970.601	970.601	1/8	3	208	279, 295	100019.00	M4C17DC3	1/2	21	474	21
970.620	970.620	1/6	4	226	279, 295	100020.00	A4C17DC4	1/2	20	464	21
970.621	970.621	1/6	4	226	279, 295	100021.00	M4C17DC5	3/4	24	572	21
980.143	980.143	1/15	3	180	279, 295	100023.00	C4C17DC7	1/4	17	344	21
980.159	980.159	1/15	3	180	279, 295	100024.00	C4C17DC8	1/3	17	388	21
980.549	980.549	1/15	3	173	279, 295	100025.00	C4C17DC9	1/2	19	440	21
003042.02			1	52	333	100026.00	C4C17DC10	3/4	24	531	21
003042.04			1	60	333	100027.00	C4T17DH1	1/4	16	303	33
003042.05			1	52	333	100028.00	C4T17DH2	1/3	18	320	33
003042.05			1	52	333	100029.00	C4T17DH3	1/2	20	365	33
003042.06			1	47	333	100030.00	C4T17DH4	3/4	24	408	33
003043.05			1	47	333	100045.00	M4C17DJ17	1/2	20	420	13, 187
006707.01			1	59	363	100046.00	M4C17DJ18	3/4	26	575	13, 187
006708.01			1	62	341	100047.00	M4C17DJ19	3/4	25	481	13, 187
006708.01			1	62	341	100048.00	C4T17DC1	1/3	17	336	59
092011.00	C42C34NB1	1/6	16	332	18	100049.00	C4T17DC2	1/2	21	388	59
092012.00	C42C17NB1	1/6	21	352	18	100050.00	C4T17DC3	3/4	24	431	59
092013.00	C42C34NB2	1/4	21	356	18	100052.00	M4C34DH2	1/2	21	334	7
092014.00	C42T34NB2	1/6	13	405	55	100053.00	M4C34DH3	3/4	24	420	7, 12, 233
092015.00	C42T17NB1	1/6	14	449	55	100054.00	A4C34DC1	1/2	18	332	21
092016.00	C42T34NB3	1/4	15	428	55	100055.00	A4C34DC2	3/4	24	435	21
092111.00	C42C17FB3	1/12	14	308	15	100056.00	C4T34DC1	1/2	17	328	59
092112.00	C42C34FB3	1/4	19	355	15	100063.00	A4C17DJ9	1/3	19	353	13, 187
092114.00	C42C17FB2	1/8	16	320	15	100064.00	A4C17DJ10	1/2	20	422	13, 187
092116.00	C42C17FB1	1/6	17	351	15	100065.00	A4C17DJ11	3/4	25	476	13, 187
096000.00	C42P17NZ1	1/12	24	735	327	100109.00	A4C17DR1	1/4	17	353	13, 187
096001.00	C42P17NZ2	1/12	24	735	327	100110.00	A4C17DR2	1/3	18	432	13, 187
096002.00	C42P17NZ3	1/12	24	735	327	100111.00	A4C17DR3	1/4	17	305	13, 187
096003.00	C42P17NZ4	1/12	24	735	327	100115.00	A4C17DB1	1/4	16	299	7
096004.00	C42P17FZ1	1/6	29	772	327	100116.00	A4C17DB2	1/3	17	341	7
096005.00	C42P17FZ2	1/6	29	772	327	100123.00	C4T17NB3	1/4	16	341	55
096006.00	C42P17FZ3	1/6	25	772	327	100145.00	C4T17DJ1	1/2	22	449	40, 189
096007.00	C42P17FZ4	1/6	24	730	327	100145.00	C4T17DJ1	1/2	22	449	189
096008.00	C42P17FZ5	1/6	29	730	327	100146.00	C4T17DJ2	3/4	25	499	40
096009.00	C42P17FZ6	1/6	29	730	327	100184.00	C4C34DB1	1/2	19	308	7
096010.00	C42P17FZ7	1/6	30	730	327	100204.00	A4C34DC4	1/2	19	325	113
096011.00	C42P17FZ8	1/6	29	730	327	100205.00	A4C34DC5	3/4	21	429	113
096013.00	C42T17FZ14	1/3	30	849	327	100207.00	A4C34DC7	1/2	19	313	113
096014.00	C42T17FZ15	1/3	30	797	327	100208.00	A4C34DC8	3/4	21	408	113
096015.00	C42T17FZ16	1/3	30	797	327	100210.00	C4T17DJ3	1/3	18	392	40, 189
096016.00	C42T17FZ17	1/3	30	797	327	100336.00	C4C34DH11	1/3	26	279	7
096049.00	C42C17FZ4	1/3	27	855	327	100337.00	C4C34DH12	1/2	20	308	7
096050.00	C42C17FZ5	1/3	27	803	327	100338.00	C4C17DB12	1/2	20	431	7
096051.00	C42C17FZ6	1/3	27	803	327	100340.00	C4C34DH13	3/4	24	376	7
096052.00	C42C17FZ7	1/3	27	803	327	100354.00	C4C34DC11	1/3	17	293	21
096065.00	C42T17FZ34	1/6	21	676	335	100355.00	A4C34DC12	1/3	17	308	21
096066.00	C42T17FZ29	1/4	27	681	335	100356.00	C4C34DC13	1/2	19	308	21
096067.00	C42T17FZ30	1/4	27	681	335	100357.00	C4C34DC14	3/4	24	397	21
096068.00	C42T17FZ31	1/4	26	669	335	100361.00	C4C17NB	1/4	17	341	18
096069.00	C42T17FZ32	1/4	26	669	335	100362.00	C4C34NB2	1/3	24	328	18
096070.00	C42T17FZ33	1/4	26	669	335	100366.00	C4C34NB3	1/2	27	376	18
098000.00	C42D17FK1	1/2	25	718	282	100375.00	C4T34DC2	1/3	15	307	59
098002.00	C42D17FK2	1/4	21	609	282	100378.00	C4T34DC3	3/4	20	391	59
098003.00	C42D17FK3	1/4	25	609	282	100443.00	C4T17NB5	1/3	19	378	55
098004.00	C42D17FK4	1/3	26	646	282	100446.00	C4T17DB2	1/3	17	326	33
098005.00	C42D17FK5	1/3	26	646	282	100449.00	C4T34NC4	1/2	23	403	65
098006.00	C42D28FK1	1/2	23	646	282	100486.00	C4T17NC11	1/2	24	460	65
098007.00	C42D28FK2	1/2	25	646	282	100588.00	M4C17DH46	1/3	18	405	7
098008.00	C42D17FK6	1/2	25	718	282	100599.00	C4T17DK1	1/3	18	382	61
098009.00	C42D28FK3	3/4	29	773	282	100600.00	C4T34DK1	1/2	17	363	61
098010.00	C42D28FK4	3/4	25	773	282	100601.00	C4T17DK2	1/2	23	432	61
098014.00	CI42D17FT1	0.25/1/3	26	569	275, 289	100602.00	C4T17DK3	3/4	21	480	61
098015.00	CI42D17FT2	0.37/1/2	29	646	275, 289	100603.00	A4C34DJ7	3/4	26	428	13
098016.00	CI42D34FT1	0.37/1/2	18	608	275, 289	100603.00	A4C34DJ7	3/4	26	428	187
098017.00	CI42D34FT2	0.55/3/4	27	699	275, 289	100604.00	A4P11NH1	1/3	23	609	174, 190, 200
098032.00	C42D17FK7	3/4	34	873	282	100699.00	A4P17NB7	1/4	19	419	174, 190, 200
098040.00	CI42D17VD1	1/2 - 3/7	25	819	142, 285	100700.00	A4P17NB8	1/3	22	485	174, 190, 200
098065.00	CI42D17FT6	0.18/1/4	22	619	278, 293	100701.00	A4P17NB9	1/2	29	514	174, 190, 200
098066.00	CI42D34FT7	0.37/1/2	29	640	278, 293	100722.00	A4C34DC21	1	24	463	113
098067.00	CI42D17FT7	0.37/1/2	27	677	278, 293	100723.00	A4C34DC22	1	23	428	113
098069.00	C42D17FK11	3/4	34	873	142, 282	100767.00	A4P17NJ1	1/3	22	499	174, 190, 199
098375.00	C42D17VK1	1/4	21	781	142, 154	100768.00	A4P17NJ2	1/2	36	531	174, 190, 199
098376.00	C42D17VK2	1/3	22	826	142, 285	100796.00	A4T17DJ10	1/2	22	523	40, 189
098377.00	42D17FC29	1/4	19	588	283	100802.00	M4P17DJ7	1/2	24	542	237
098378.00	42D17FC30	1/3	23	626	283	100803.00	A4P17NR1	1/4	19	429	174, 190, 199
098379.00	42D17FC31	1/2	29	698	283	100804.00	A4P17NR2	1/3	21	462	174, 190, 199
098380.00	42D17FC32	3/4	38	852	283	100805.00	A4P11NJ1	1/4	22	541	174, 190, 199
098381.00	42D18FK6	1/2	29	677	292	100806.00	A4P11NJ2	1/3	27	621	174, 190, 199
098382.00	42D18FK7	1/2	29	655	292	100824.00	A4P11NR2	1/4	20	505	174, 190, 199
100000.00	A4C17DH1	1/4	17	341	7	100825.00	A4P11NR3	1/3	25	585	174, 190, 199
100001.00	A4C17DH2	1/3	18	403	7	100905.00	C4T34FB2	1/2	18	384	43
100002.00	A4C17DH3	1/2	20	453	7	100908.00	A4T17DJ13	3/4	26	567	40, 189
100003.00	A4C17DH4	3/4	25	555	7	100913.00	C4T17FH1	1/2	24	416	43
100004.00	M4C17DH5	1/2	21	477	7	100955.00	C4C17FB3	1/3	19	378	15
100005.00	M4C17DH6	3/4	25	569	7	100956.00	C4C17FB4	1/2	22	434	15
100006.00	C4C17DH7	1/3	18	354	7	100960.00	C4T34FB3	3/4	21	422	43
100007.00	C4C17DH8	1/2	21	389	7	100961.00	C4T17FB4	1/2	21	464	43
100008.00	C4C17DH9	3/4	26	481	7	101013.00	C4T34NB3	1/3	17	322	55
100010.00	A4C17DJ2	1/3	18	432	13, 187	101015.00	A4C17DR31	1/3	18	353	13, 187
100011.00	A4C17DJ3	1/2	22	465	13, 187	101020.00	C4S46DR1	1/4-1/12	20	374	191
100012.00	A4C17DJ4	3/4	26	575	13, 187	101021.00	C4S46DJ1	1/3-0.15	26	475	191
100014.00	C4C17DJ5	1/3	19	407	13, 187	101051.00	C4T17FH3	1/2	24	427	209



DC Motors

Gearmotors

Ac / DC Controls

Accessories / Kits

Motors / Factory Options

X-Ref / Index

Tech Information

Terms / Warnings

Other Products

Leeson Catalog Number Index

Motors, Sub-FHP Gearmotors, Drives and Accessories

Catalog No.	Model Number	HP	Weight	List \$	Page #	Catalog No.	Model Number	HP	Weight	List \$	Page #
101079.00	C4T17FH6	1/3	22	363	43	102697.00	C4T17FK5	1/3	22	539	69
101119.00	P4C17FZ6	3/4	24	742	180	102860.00	C4T17FC40	1/2	19	441	65
101120.00	P4C17FZ7	1/2	22	635	180	102861.00	C4T17NC46	1/2	23	458	65
101159.00	P4C17FZ11	1/3	21	564	180	102862.00	C4C17FC32	1/2	21	481	24
101176.00	A4K17NH2	1/2	26	517	174, 190, 200	102863.00	C4T17NC47	1/3	19	387	65
101252.00	A4P17NB27	1/4	19	423	174, 190, 200	102864.00	C4C34FC12	1/2	22	374	24
101253.00	A4P17NB28	1/3	22	489	174, 190, 200	102865.00	M4C17FC33	1/2	22	509	24
101291.00	C4T11NC1	1/3	20	589	65	102866.00	C4C17FC34	1/4	18	387	24
101341.00	A4P17NZ24	1/4	17	427	181	102867.00	C4C17NC25	1/3	23	416	24
101341.00	A4P17NZ24	1/4	17	427	203	102868.00	C4C17NC26	1/4	22	387	24
101405.00	A4K17DR5	1/3	19	464	10, 188	102869.00	M4C17NC27	1/3	25	439	24
101423.00	M4C17DB33	1/4	16	361	7	102870.00	C4C34FC13	1/3	20	332	24
101431.00	A4C34DR11	1/3	17	309	13, 187	102871.00	A4C17FC35	1/2	24	502	24
101432.00	A4C34DR10	1/2	20	341	13, 187	102872.00	M4C34FC14	1/2	25	398	24
101433.00	A4C34DR9	3/4	22	402	13, 187	102873.00	C4C34NC15	1/3	24	332	24
101434.00	A4C34DR8	1/4	16	301	13, 187	102903.00	C4C34FK17	1/2	25	394	26
101435.00	M4C17FZ16	1/3	21	542	180	102904.00	M4C34FH7	1/2	25	397	15
101436.00	M4C17FZ17	1/2	22	621	180	102905.00	C4C34FH8	1/2	22	371	15
101437.00	M4C17FZ18	3/4	28	639	180	102906.00	C4C17FH28	1/2	22	430	15
101446.00	M4C17FB10	1/4	18	393	15	102907.00	C4C17FK5	1/2	22	505	26
101447.00	C4T34DB3	1/3	14	308	33	102908.00	A4C17FH29	1/2	25	516	15
101448.00	C4T34DH7	1/2	17	326	33	102909.00	M4C17FH30	1/2	22	503	15
101449.00	C4T34DH8	3/4	20	387	33	102910.00	C4C17NK2	1/3	25	420	26
101520.00	A4T17DJ18	1/3	19	476	40, 189	102911.00	CAC34NB3	1/2	27	376	18
101521.00	A4C17DC79	1/4	17	362	21	102912.00	CAC17NH7	1/3	25	378	18
101522.00	A4C17DC81	1/3	17	410	21	102913.00	M4C17NH8	1/3	25	433	18
101523.00	A4C17DC80	3/4	26	567	21	102914.00	C4C17NH9	1/4	24	345	18
101544.00	M4K17DH2	3/4	28	608	7, 12, 233	102915.00	A4C17NH10	1/4	23	389	18
101585.00	A4K17DR6	1/2	25	530	10, 188	102916.00	C4C17FK4	1/4	22	396	26
101602.00	A4K17DR7	1/4	19	392	10, 188	102917.00	C4T17FK10	1/2	19	487	69
101611.00	A4C17DJ57	1/2	22	465	13, 187	102918.00	C4T17NH12	1/2	21	439	55
101637.00	C4T34DC20	3/4	18	413	115	102919.00	C4T17NK2	1/2	22	487	69
101638.00	C4T34DC21	1	25	459	115	102920.00	C4T17NH13	1/3	20	376	55
101639.00	A4T34DJ4	1/3	17	359	40, 189	102921.00	C4T17NK3	1/3	18	422	69
101640.00	A4T34DJ3	1/2	18	432	40, 189	102922.00	C4T17FK11	1/3	19	420	69
101641.00	A4T34DJ5	3/4	20	527	40, 189	102929.00	C4C34FK16	1/3	22	393	26
101643.00	M4C14FZ5	1/2	26	687	180	102930.00	C4C17FK6	1/3	24	420	26
101644.00	M4C14FZ6	3/4	30	738	180	102931.00	C4C17FH31	1/3	23	376	15
101645.00	A4P11NR6	1/2	33	684	174, 190, 199	102932.00	A4C17FH32	1/3	23	444	15
101646.00	C4T17FB9	1/4	18	331	43	102933.00	M4C17FH33	1/3	23	430	15
101647.00	C4T17FB10	1/3	21	396	43	102963.00	A4C17DR47	1/4	17	353	13, 187
101648.00	C4T17NC28	1/4	17	351	65	102964.00	A4C17DJ2	1/3	18	432	13, 187
101649.00	C4T17NH8	1/4	16	341	55	102965.00	A4C17DJ74	1/2	22	465	13, 187
101650.00	C4C17DK19	3/4	27	557	23	102966.00	A4C17DJ73	3/4	26	575	13, 187
101651.00	C4C17DK18	1/2	21	481	23	102971.00	C4T34DK9	3/4	21	412	61
101765.00	C4C17FC10	1/4	18	389	24	103014.00	C4T17DC47	1/4	19	305	59
101766.00	C4C17FC9	1/3	22	419	24	103017.00	C4T17DH39	1/3	23	428	33
101767.00	C4T17FC9	1/4	19	351	65	103018.00	C4T17DH40	1/2	26	459	33
101769.00	C4T17FC10	1/3	20	378	65	103019.00	C4T17FH12	1/3	24	531	43
101773.00	A4T34DJ8	3/4	20	451	40, 189	103020.00	C4T17FH13	1/2	27	563	43
101775.00	C4T34DK6	1	26	462	115	103021.00	C4T17DK9	1/3	23	444	61
101776.00	C4T34DK5	3/4	18	413	115	103022.00	C4T17DK10	1/2	26	468	61
101780.00	C4T17FC12	1/2	25	567	65	103023.00	C4C17DK32	1/3	18	398	23
101781.00	C4C17DH106	1/2	17	532	236	103024.00	C4C34DK10	1/2	20	361	23
101782.00	C4C34DB15	3/4	24	547	236	103025.00	C4C34DK11	3/4	24	424	23
101839.00	A4C17DJ67	3/4	28	575	13, 187	103082.00	M4C17FK7	1/3	24	420	26
101965.00	C4T34NC11	1/4	15	410	65	103083.00	M4C17DK37	1/3	18	398	23
101966.00	C4T17NC35	1/4	18	358	65	103084.00	M4C17DK38	1/2	21	481	23
101981.00	C4T17FC19	1/4	17	358	65	103085.00	M4C17FK8	1/2	22	505	26
102012.00	C4C17FB23	1/6	17	348	15	103086.00	M4C17DK39	3/4	27	557	23
102013.00	C4C11FB3	1/6	23	494	15	103387.00	CZ4T17VK2	1/2	31	1288	160
102014.00	C4C17FB21	1/4	20	341	15	103388.00	CZ4T17WK1	3/4	28	1336	160
102015.00	C4C11FB4	1/4	23	526	15	103389.00	CZ4T17VC4	1/2	30	1272	161
102016.00	C4C34FB10	1/3	21	326	15	103390.00	CZ4T17WC1	3/4	33	1302	161
102017.00	M4P17DC29	1/3	18	483	238	103393.00	CZ4T17VC7	1/3	25	1089	161
102018.00	M4C17FB22	1/3	20	434	15	103394.00	CZ4T17VC3	1/2	27	1113	161
102019.00	C4C11FB5	1/3	28	580	15	103395.00	CZ4T17VZ13	1/3-0.25	30	1331	163, 272
102020.00	C4C34FB9	1/2	27	373	15	103396.00	CZ4T17VZ3	1/2-0.37	32	1377	163, 272
102021.00	M4P17DC30	1/2	22	542	238	103397.00	CZ4T17VZ14	1/3-0.25	30	1331	163, 272
102024.00	C4T17FK2	1/2	23	580	69	103398.00	CZ4T17VZ4	1/2-0.37	32	1377	163, 272
102183.00	C4T14FH1	0.25/1/3	19	493	227	103399.00	CZ4T17WZ7	3/4-0.55	38	1459	163, 272
102184.00	C4T14FC2	0.18/1/4	18	466	228	103400.00	CZ4T17VZ15	1/3-0.25	31	1377	163, 272
102197.00	C4T34DC25	1/3	15	326	115	103401.00	CZ4T17VZ5	1/2-0.37	33	1521	163, 272
102198.00	C4T34DC26	1/2	17	343	115	103402.00	CZ4T17WZ8	3/4-0.55	39	1575	163, 272
102199.00	C4T34DK8	1/2	17	359	115	103403.00	CZ4T17VZ16	1/3-0.25	30	1331	163, 272
102200.00	C4T17DC39	1/2	25	451	59	103404.00	CZ4T17VZ6	1/2-0.37	32	1377	163, 272
102661.00	C4C17FC25	1/6	14	341	24	103405.00	CZ4T17VZ17	1/3-0.25	30	1331	163, 272
102662.00	C4T17FC31	1/6	15	316	65	103406.00	CZ4T17VZ7	1/2-0.37	32	1377	163, 272
102663.00	C4C17FC26	1/3	19	403	24	103407.00	CZ4T17WZ9	3/4-0.55	38	1459	163, 272
102664.00	C4T17FC30	1/3	20	365	65	103408.00	CZ4T17VZ18	1/3-0.25	30	1353	163, 272
102665.00	C4C17FC27	1/2	22	470	24	103409.00	CZ4T17VZ8	1/2-0.37	32	1396	163, 272
102666.00	C4T17FC32	1/2	24	441	65	103410.00	CZ4T17WZ10	3/4-0.55	38	1488	163, 272
102684.00	C4T34FB5	1/3	18	328	43	103411.00	CZ4T17VK1	1/2	33	1422	168
102685.00	C4T14FB4	0.18/1/4	19	439	227	103412.00	CZ4T17WK2	3/4	39	1513	168
102686.00	C4T28FB2	0.25/1/3	19	438	227	103413.00	CZ4T17VC1	1/2	32	1336	168
102687.00	C4T28FC2	0.25/1/3	19	460	228	103414.00	CZ4T17WC2	3/4	38	1416	168
102688.00	C4T14FB5	0.25/1/3	19	527	227	103417.00	CZ4T17VC8	1/3	30	1443	168
102689.00	C4T14FC4	0.25/1/3	19	503	228	103418.00	CZ4T17VC2	1/2	32	1502	168
102690.00	C4T28FB1	0.37/1/2	20	506	227	103460.00	5KCP35JNC128Y	1/2	22	402	237
102691.00	C4T28FC1	0.37/1/2	20	533	228	103520.00	A4S17DR62	1/4	14	192	118
102692.00	C4T14FB3	0.37/1/2	20	595	227	103521.00	A4S17DR64	1/3	14	205	118
102693.00	C4T14FH2	0.37/1/2	20	551	227	103522.00	A4S17DR66	1/2	17	230	118
102694.00	C4T14FC3	0.37/1/2	20	592	228	103523.00	A4S17DR67	3/4	19	275	118
102695.00	C4T17DC45	1/3	22	422	59	103530.00	A4S17DR63	1/4	16	202	118
102696.00	C4T17FC33	1/3	22	529	65	103531.00	A4S17DR65	1/3	14	210	118



Leeson Catalog Number Index

Motors, Sub-FHP Gearmotors, Drives and Accessories

Catalog No.	Model Number	HP	Weight	List \$	Page #	Catalog No.	Model Number	HP	Weight	List \$	Page #
107000.00	4C17FZ25	1/4	32	1037	329	109069.00	4D17WK9	1/2	46	1605	164, 296
107001.00	4C17FZ26	1/4	31	1014	329	109070.00	4D17WK10	1/2	46	1605	164, 296
107002.00	4C17FZ27	1/4	34	1037	329	109071.00	4D17WK11	1/2 - 0.37	46	1605	165, 273, 297
107003.00	4C17FZ28	1/4	30	1037	329	109072.00	4D17WK13	3/4	47	1954	164, 296
107004.00	4C17FZ29	1/4	34	1037	329	109073.00	4D17WK14	3/4	48	1954	164, 296
107005.00	4C17FZ30	1/4	31	1014	329	109074.00	4D17WK15	3/4 - 0.55	48	1954	165, 273, 297
107006.00	4C17FZ31	1/3	35	1049	329	109075.00	4D17WK16	1	51	2267	164, 296
107007.00	4C17FZ32	1/3	29	1027	329	109076.00	4D17WK17	1	50	2267	164, 296
107008.00	4C17FZ33	1/3	33	1027	329	109077.00	4D17WK18	1 - 0.75	50	2267	165, 273, 297
107009.00	4C17FZ34	1/3	30	1027	329	109078.00	4D17VC5	1/4	38	1268	164, 296
107010.00	4C17FZ35	1/3	34	1027	329	109079.00	4D17VC6	1/3	44	1343	164, 296
107011.00	4C17FZ36	1/3	33	1027	329	109080.00	4D17VC7	1/3	44	1343	164, 296
107012.00	4C17FZ37	1/3	35	1049	329	109081.00	4D17VC8	1/3 - 0.25	44	1343	165, 273, 297
107013.00	4C17FZ38	1/2	34	1143	329	109082.00	4D17WC2	1/2	46	1575	164, 296
107014.00	4C17FZ39	1/2	35	1120	329	109083.00	4D17WC3	1/2	46	1575	164, 296
107015.00	4C17FZ40	1/2	33	1120	329	109084.00	4D17WC4	1/2 - 0.37	46	1575	165, 273, 297
107016.00	4C17FZ41	1/2	37	1120	329	109085.00	4D17WC5	3/4	47	1924	164, 296
107017.00	4T17FZ39	1/2	33	1120	329	109086.00	4D17WC6	3/4	48	1924	164, 296
107025.00	4T17FZ53	1/3	34	1117	329	109087.00	4D17WC7	3/4 - 0.55	48	1924	165, 273, 297
107026.00	4T17FZ54	1/3	24	1117	329	109088.00	4D17WC8	1	51	2238	164, 296
107027.00	4T17FZ55	1/3	33	1091	329	109089.00	4D17WC9	1	50	2238	296
107028.00	4T17FZ56	1/3	30	1091	329	109090.00	4D17WC10	1 - 0.75	50	2238	165, 273, 297
107029.00	4T17FZ57	1/3	30	1091	329	109096.00	4D17FC42	1	47	1045	283
107030.00	4T17FZ58	1/3	28	1091	329	109097.00	4D17FC43	1	39	1045	283
107031.00	4T17FZ48	1/3	30	1091	329	109098.00	4D11FK5	1/3	32	793	282
107032.00	4T17FZ49	1/2	33	1177	329	109099.00	4D11FK6	1/2	40	832	282
107033.00	4T17FZ50	1/2	33	1160	329	109100.00	4D11FK7	3/4	49	1124	282
107034.00	4T17FZ51	1/2	32	1160	329	109101.00	4D18FK1	1	37	865	292
107035.00	4T17FZ52	1/2	36	1160	329	109102.00	4D18FK2	1	37	834	292
107036.00	4T17FZ46	1/2	31	1160	329	109103.00	4D18FK3	1 1/2	39	1317	292
107037.00	4C17N29	1/2	31	1160	329	109104.00	4D18FK4	1 1/2	37	1301	292
108014.00	4D17FK1	1/2	29	754	282	109105.00	4D18FK5	1 1/2	37	1256	292
108015.00	4D17FK2	1/2	30	754	282	109106.00	4D18FK6	2	42	1649	292
108016.00	4D28FK3	3/4	29	814	282	109107.00	4D18FK7	2	42	1525	292
108017.00	4D28FK4	3/4	29	814	282	109108.00	4D18FK8	2	42	1466	292
108018.00	4D17FK3	3/4	38	918	282	110000.00	A6C17DB1	1	28	592	8
108019.00	4D17FK4	3/4	35	918	282	110001.00	C6C11DB1	1/3	29	509	7
108020.00	4D28FK5	1	34	873	282	110002.00	C6C11DB2	1/2	32	769	7
108021.00	4D28FK6	1	38	873	282	110003.00	C6C11DB3	3/4	44	867	7
108022.00	4D17FK5	1	47	1068	282	110004.00	C6C17DB2	1	28	524	8
108023.00	4D17FK6	1	39	1068	282	110005.00	C6K17DB1	1 1/2	37	681	8
108045.00	4D17NK5	1/4	21	652	292	110006.00	P6K17DB2	1 1/2	38	742	8
108046.00	4D17NK6	1/3	24	717	292	110007.00	A6C17DR1	1	29	623	13, 187
108047.00	4D17NK7	1/2	29	746	292	110009.00	C6C11FB1	1/3	34	580	15
108048.00	4D17FK7	3/4	30	823	292	110011.00	C6C11FB2	1/2	38	825	15
108050.00	4D17NK9	1/3	22	687	292	110013.00	C6C17FB2	3/4	29	516	16
108051.00	4D17NK10	1/2	29	711	292	110017.00	A6C17FB4	3/4	26	629	16
108052.00	4D17FK8	3/4	30	745	292	110018.00	A6C17FB5	1	29	704	16
108053.00	4D17FK9	1	37	903	292	110019.00	U6K17FB1	1 1/2	38	837	16
108092.00	4D17FK10	1 1/2	53	1334	282	110022.00	M6C17FB7	3/4	29	602	16, 19
108226.00	C4D17VK1E	1/2	38	926	142, 285	110023.00	M6C17FB8	1	29	681	16, 19
108227.00	C4D17VK2E	1/2	43	926	142, 285	110025.00	A6C17FR1	1/2	26	527	19, 188
108228.00	C4D17VK3E	3/4	53	1124	142, 285	110026.00	A6C17FR2	3/4	28	631	19, 188
108229.00	C4D17VK4E	3/4	50	1124	142, 285	110027.00	C6T11DB1	1/2	22	570	33
108230.00	C4D17WK1H	1	45	1370	142, 285	110028.00	C6T11DB2	3/4	17	616	33
108231.00	C4D17WK2G	1	42	1370	142, 285	110029.00	C6T17DB1	1	22	460	33
108232.00	C4D17WK3F	1 1/2	50	1750	142, 285	110034.00	C6T17FB1	3/4	22	444	43
108262.00	4D17FK19	1 1/2	54	1334	282	110035.00	C6T17FB2	1	30	464	44
108265.00	4D28FK11	1 1/2	43	1293	282	110036.00	M6C17DC1	1	27	594	21
108266.00	4D28FK12	2	51	2026	282	110037.00	P6K17DC1	1 1/2	39	715	22
108322.00	4D17FK28	1	39	981	292	110040.00	M6C17FC2	3/4	26	603	24
108369.00	4D17FT1	0.55/3/4	34	799	275, 289	110041.00	M6C17FC3	1	29	688	25
108370.00	4D17FT2	0.75/1	48	987	275, 289	110042.00	M6K17FC1	1 1/2	40	773	25
108371.00	4D17FT3	1.1/11/2	52	1303	275, 289	110043.00	C6T17DC1	1	22	471	59
108372.00	4D34FT1	0.75/1	45	799	275, 289	110044.00	C6T17DC2	1 1/2	27	549	59
108373.00	4D34FT2	1.1/11/2	47	884	275, 289	110047.00	C6T17FC1	3/4	22	477	65
108407.00	4D17VD1	3/4 - .55	52	1110	142, 285	110048.00	C6T17FC2	1	24	509	66
108423.00	C4D17VK9C	1/4	23	781	142, 285	110052.00	C6T17DR1	1	23	524	40, 189
108424.00	C4D17VK10C	1/3	26	826	142, 285	110054.00	A6C17DR2	1	32	609	13, 187
108455.00	4D17FT6	0.75/1	52	870	278, 293	110057.00	C6C17FC6	3/4	25	572	24
108456.00	4D34FT5	0.75/1	33	744	278, 293	110058.00	C6C17FC7	1	33	659	25
108457.00	4D34FT6	1.1/11/2	33	826	278, 293	110059.00	C6C34FB5	1	28	485	16
108458.00	4D34FT7	1.5/2	43	950	278, 293	110064.00	C6C14FB1	1/2	25	604	225
108502.00	182D17FK2	3	88	3368	282	110065.00	C6C14FB2	3/4	32	692	225
108700.00	4D17N217	1/4	36	1224	309	110066.00	C6C14FB3	1	38	832	225
108701.00	4D17N218	1/4	39	1224	309	110086.00	M6C17FB11	1/2	22	523	171
108702.00	4D17N219	1/4	41	1224	309	110087.00	M6C17FB9	3/4	26	618	171
108703.00	4D17N220	1/4	38	1194	309	110088.00	M6C17FB10	1	30	710	171
108704.00	4D17N221	1/4	40	1194	309	110089.00	M6K17FB3	1 1/2	41	793	171
108705.00	4D17N222	1/4	40	1194	309	110090.00	M6K17FB4	2	43	1136	171
108706.00	4D17N223	1/4	40	1194	309	110094.00	C6C34FB6	1 1/2	32	637	16
108707.00	4D17FZ23	1/2	44	1323	309	110097.00	M6C34DB3	1	28	435	8, 12, 233
108708.00	4D17FZ24	1/2	44	1323	309	110108.00	M6C34FB7	3/4	26	443	16, 19, 233
108709.00	4D17FZ25	1/2	40	1298	309	110109.00	M6C34FB8	1 1/2	31	746	16, 19, 233
108710.00	4D17FZ26	1/2	43	1298	309	110110.00	M6C34DB4	1 1/2	28	569	8
108711.00	4D17FZ27	1/2	39	1298	309	110111.00	C6T34DC7	1	22	449	59
108712.00	4D17FZ28	1/2	43	1298	309	110112.00	C6T34FC6	1	21	496	66
108729.00	4D17N243	1/4	41	1250	309	110125.00	C6T17FC3	1 1/2	29	539	66
108730.00	4D17N244	1/4	40	1223	309	110142.00	M6C34FB2	1	28	542	16, 19, 233
108731.00	4D17FZ52	1/2	43	1323	309	110143.00	C6T34NB1	1/2	25	373	55
108732.00	4D17FZ53	1/2	43	1323	309	110144.00	C6T34NC1	1/2	25	403	65
109065.00	4D17VK24	1/4	38	1299	164, 296	110145.00	C6T34FB1	1	24	494	44
109066.00	4D17VK25	1/3	44	1374	164, 296	110160.00	M6C34DB6	1	27	430	11, 231
109067.00	4D17VK26	1/3	44	1374	164, 296	110161.00	P6C34DB7	1 1/2	33	471	11, 231
109068.00	4D17VK27	1/3 - 0.25	44	1374	165, 273, 297	110163.00	C6T11FC1	1/2	25	637	65



DC Motors

Gearmotors

Ac / DC Controls

Accessories / Kits

Mods / Factory Options

X-Ref / Index

Tech Information

Terms / Warnings

Other Products

Leeson Catalog Number Index

Motors, Sub-FHP Gearmotors, Drives and Accessories

Catalog No.	Model Number	HP	Weight	List \$	Page #	Catalog No.	Model Number	HP	Weight	List \$	Page #
110167.00	M6C17DB7	1	30	616	8	110915.00	C6T34FK6	3/4	23	451	69
110176.00	C6T17NC10	1/2	20	453	213	110916.00	C6T17FK5	3/4	22	524	69
110177.00	C6T17FC7	3/4	21	486	213	110917.00	C6T34FK7	1 1/2	29	600	70
110178.00	C6T17FB3	3/4	22	453	209	110918.00	C6T17FK7	1 1/2	30	589	70
110180.00	C6C34FK1	1	28	518	26	110934.00	A6C17XB21	3/4	46	975	100
110181.00	C6T34FK1	1	24	535	69	110961.00	A6C17XB20	1	47	1107	100
110182.00	C6T344NK1	1/2	26	417	69	111074.00	A6C17EB20	1/3	35	749	100
110192.00	C6T34FC5	1 1/2	28	547	66	111075.00	A6C17EC20	1/3	41	826	100
110199.00	C6T17NB4	1/2	25	427	209	111084.00	A6C17XB22	1/2	41	826	100
110204.00	C6T17FC8	1	30	520	213	111085.00	A6C17XC22	1/2	45	916	100
110206.00	C6T17FB4	1	24	476	209	111086.00	A6C17XC21	3/4	50	1017	100
110209.00	C6C17FB17	1	30	591	16	111095.00	A6C34EC20	1/3	38	788	100
110220.00	C6C17DC3	1	30	564	21	111096.00	A6C34XC20	1	49	916	100
110222.00	M6C34DB13	3	38	552	11, 231	111097.00	A6C34XC21	3/4	40	854	100
110232.00	M6C34DB11	2	33	492	11, 231	111098.00	A6C34XC22	1/2	35	796	100
110253.00	C6K17FB9	1 1/2	38	672	16	111147.00	A6T11DZ1	1	37	780	194
110255.00	C6T17FB8	1	30	499	222	111148.00	A6T11DZ2	1 1/2	42	852	194
110275.00	C6T11FB3	3/4	33	616	43	111202.00	A6P17NZ1	1/3	24	485	174, 190, 200
110276.00	C6C34FB15	3/4	26	416	16	111206.00	A6P17NR1	3/4	36	770	174, 190, 199
110288.00	U6C34DC18	1 1/2	31	608	113	111267.00	A6P17NR2	1	39	808	174, 190, 199
110289.00	U6C34DC19	2	37	784	113	111273.00	C6T34FC22	2	36	622	66
110292.00	U6C34DC21	1 1/2	31	594	113	111275.00	P6K34DB5	5	44	686	11
110293.00	U6C34DC22	2	37	734	113	111275.00	P6K34DB5	5	44	686	231
110308.00	A6C17FC8	3/4	28	594	24	111304.00	A6T17FC33	1	30	796	179
110313.00	C6T34FB2	3/4	22	422	43	111309.00	A6T17DB26E	1 1/2	33	587	34
110352.00	C6C34FB21	2	41	831	17	111310.00	A6T17DB27	2	36	677	34
110353.00	C6T11FB2	1/2	26	616	43	111311.00	A6T17DR11	1	27	589	40, 189
110354.00	C6T34FB8	3/4	22	431	209	111321.00	A6P11NR1	1/2	37	672	174, 190, 199
110360.00	C6C34DB19	1	28	396	8	111322.00	A6P11NR2	3/4	44	794	174, 190, 199
110361.00	C6C34DB20	1 1/2	29	560	8	111323.00	A6P17NR3	1/2	30	521	174, 190, 199
110362.00	P6C34DB21	2	38	773	8	111324.00	A6P17NR4	3/4	34	770	174, 190, 199
110363.00	C6C34DB22	2	37	742	8	111326.00	C6T17DK7	1/2	31	983	258
110381.00	C6C11DC2	1/2	32	800	21	111327.00	C6T17DK8	3/4	34	1151	258
110382.00	C6C11DC3	3/4	46	890	21	111328.00	C6T17DK9	1	42	1243	258
110384.00	C6C34DC24	1	28	424	21	111329.00	M6T17FB49	1 1/2	38	859	178
110387.00	C6C34DC26	1 1/2	28	585	22	111330.00	P6K17FB18	1 1/2	42	845	178
110388.00	C6K17DC4	1 1/2	38	681	22	111332.00	C6C34NB15	3/4	27	433	176, 192
110390.00	C6C34DC28	2	37	766	22	111333.00	C6C34NB16	1	29	514	176, 192
110394.00	C6C14DB5	1/3	22	451	224	111334.00	C6T34NB18	3/4	21	443	176, 192
110395.00	C6C14DB6	1/2	25	572	224	111335.00	C6T34NB19	1	22	481	176, 192
110396.00	C6C14DB7	3/4	30	687	224	111348.00	A6P17NZ6	1/3	24	499	174, 190, 199
110397.00	C6C14DB8	1	35	757	224	111394.00	C6T11FB8	3/4	30	646	209
110398.00	C6K14DB1	1 1/2	43	853	224	111444.00	C6T17FC39	1 1/2	33	551	213
110400.00	C6K11FB1	3/4	43	955	16	111611.00	C6T34FC26	2	34	608	213
110402.00	P6C34FB23	2	41	871	17, 19, 233	111630.00	C6T34FC28	3	37	707	67
110411.00	C6C11FC1	1/2	37	848	24	111915.00	A6C17FR10	1	31	717	19, 188
110412.00	M6C34FC7	3/4	28	456	24	111916.00	C6T34FB24	2	33	608	45
110413.00	C6C34FC8	3/4	26	439	24	111917.00	C6T17NR1	1/2	25	501	53, 189
110414.00	C6K11FC2	3/4	42	955	24	111918.00	C6T17FR1	1	29	564	53, 189
110415.00	M6C34FC9	1	28	563	25	111919.00	A6P8NR2	1/2	40	832	174
110416.00	C6C34FC10	1	28	514	25	111919.00	A6P8NR2	1/2	45	832	190, 199
110418.00	M6C34FC11	1 1/2	31	693	25	111922.00	A6T17XB20	1	45	1003	101
110419.00	C6C34FC12	1 1/2	31	661	25	111923.00	A6T17XB21	3/4	38	923	101
110420.00	C6K17FC2	1 1/2	37	742	25	111926.00	A6T17XC22	1	46	1107	101
110421.00	P6C34FC13	2	41	871	25	111929.00	A6T17EB21	1/2	32	795	101
110422.00	C6C34FC14	2	40	841	25	111930.00	A6T17EC22	1/2	34	1039	101
110423.00	C6C14FB6	1/3	24	527	225	111931.00	A6T17EC23	1/3	29	981	101
110424.00	C6K14FB1	1 1/2	47	943	225	111932.00	A6T17EB22	1/3	33	765	101
110425.00	C6T11DB3	1/3	23	518	33	111933.00	A6T34EC22	1/2	33	951	101
110426.00	C6T34DB1	1	22	443	33	111934.00	A6T34EB22	1/2	39	874	101
110429.00	C6T34DB2	1 1/2	29	496	34	111935.00	A6T17XC23	3/4	36	1056	101
110430.00	C6T17DB7	1 1/2	27	531	34	111936.00	A6T34XC21	3/4	27	981	101
110433.00	C6T17DR4	1 1/2	32	603	40	111937.00	A6T34XB21	3/4	37	914	101
110433.00	C6T17DR4	1 1/2	32	603	189	111938.00	A6T11XB22	1/2	44	1163	101
110434.00	C6T11DC1F	1/2	26	573	59	111939.00	A6T34XC25	1 1/2	48	1168	101
110437.00	C6T34DC12	1 1/2	27	521	59	111940.00	A6T11EB21	1/3	39	1098	101
110441.00	C6T11FB5	1/3	23	571	43	111941.00	A6T17XC24	1 1/2	46	1192	101
110444.00	C6T17FB14	1 1/2	30	522	44	111942.00	A6T34XB20	1	34	965	101
110446.00	C6T34NC2	1/3	20	345	65	111943.00	A6T34XC20	1	30	1027	101
110448.00	C6T34FC9	3/4	21	422	65	111944.00	A6T34EC23	1/3	36	913	101
110451.00	C6T17FC9	2	34	573	66	111949.00	C6C34NB19	1 1/2	32	664	176, 192
110478.00	A6C34DR6	1	28	494	13, 187	111950.00	C6C17FK20	1/2	32	1053	257
110479.00	A6C34DR7	1 1/2	30	635	13, 187	111951.00	C6K17FK21	1	38	1466	257
110492.00	M6C17FC12	1/2	22	680	173	111953.00	C6S46DR1	1/2-1/4	33	593	191
110493.00	M6C17FC13	3/4	29	796	173	111954.00	C6C46DR2	3/4-1/3	38	861	191
110494.00	M6C17FC14	1	33	903	173	111955.00	C6K46DR1	1-0.44	41	1014	191
110495.00	M6K17FC3	1 1/2	43	1026	173	111956.00	C6T46DR1	1/2-22	32	895	191
110579.00	A6K17DR6	1 1/2	38	754	13, 187	111957.00	C6T46DR2	1/2-22	32	895	191
110669.00	C6T17NK1	1/3	30	929	259	111958.00	C6T46DR3	3/4-1/3	36	944	191
110670.00	C6T17NK2	1/2	34	1044	259	111959.00	C6T46DR4	3/4-1/3	36	944	191
110671.00	C6T17NK3	3/4	34	1222	259	111960.00	C6T46DR5	1-0.44	40	1014	191
110679.00	C6T17FK1	1	32	1438	259	111961.00	C6T46DR6	1-0.44	40	1014	191
110714.00	C6T34NB6	1/2	25	391	209	111962.00	C6T46DR7	11/2-.67	40	1230	191
110715.00	C6T34FB15	1	24	503	209	111963.00	C6T46DR8	11/2-.67	40	1230	191
110745.00	C6T34FB16	1 1/2	30	540	44	112135.00	C6C34FK36	3/4	26	449	26
110852.00	A6C17XC20	1	53	1160	100	112136.00	C6K17FC9	2	41	994	25
110893.00	C6T17FB37	1 1/2	30	536	209	112378.00	C6T11FC10	3/4	29	667	65
110901.00	C6T17DK3	1	28	563	61	112379.00	C6T11FC11	1	32	654	66
110902.00	C6T17DK4	1 1/2	29	592	61	112427.00	C6T17WB6	1/2	24	650	135
110905.00	C6C17FK4	3/4	26	610	26	112428.00	C6T17WB7	3/4	27	678	135
110908.00	C6C17FK5	1	30	691	26	112429.00	C6T17WK1	1/2	22	678	136
110909.00	C6C34FK19	1 1/2	34	671	26	112430.00	C6T17WK2	3/4	26	786	136
110910.00	C6K17FK2	1 1/2	39	821	26	112431.00	C6C17WB1	1/2	24	631	133
110912.00	C6T17FK6	1	24	558	69	112432.00	C6C17WB2	3/4	31	742	133
110914.00	C6T11FK1	1/2	25	655	69	112483.00	C6T17WK3	1/2	28	678	136



Leeson Catalog Number Index

Motors, Sub-FHP Gearmotors, Drives and Accessories

Catalog No.	Model Number	HP	Weight	List \$	Page #	Catalog No.	Model Number	HP	Weight	List \$	Page #
112484.00	C6T17WK4	3/4	24	786	136	113897.00	A6T17DR32	2	39	731	40, 189
112520.00	C6T17WK5	1/4	24	608	136	113901.00	C6C28DB24	1/2	25	404	224
112521.00	C6T17WK6	1/3	22	629	136	113902.00	C6C28DB25	3/4	27	506	224
112522.00	C6T17WK7	1	30	819	136	113903.00	C6C28DB26	1	31	562	224
112523.00	C6T17WK8	1/4	21	608	136	113904.00	C6C28DB27	1 1/2	37	722	224
112524.00	C6T17WK10	1	27	819	136	113905.00	C6C28DB28	2	42	884	224
112526.00	C6C17WK2	1/3	28	631	133	113906.00	M6C14FZ8	1	39	897	180
112527.00	C6C17WK3	1/2	28	654	133	113907.00	P6K14FZ2	1 1/2	48	1500	180
112528.00	C6C17WK4	3/4	30	741	133	113908.00	M6C14FB22	1/3	26	532	225
112529.00	C6C17WK5	1	33	853	133	113909.00	M6C14FB23	1/2	29	604	225
112547.00	C6T17WK9	1/3	22	669	136	113910.00	M6C14FB24	3/4	32	717	225
112615.00	P6C17FZ27	1	35	822	180	113911.00	M6C14FB25	1	34	832	225
112626.00	C6C17WB3	1	33	851	133	113912.00	C6C28FC5	1/2	25	466	226
112627.00	C6T17WB8	1	26	713	135	113913.00	C6C28FC4	3/4	28	518	226
112643.00	C6T17WK11	11/2	32	855	136	113914.00	C6C28FC5	1	32	639	226
112644.00	C6T17WK12	2	36	980	136	113915.00	C6C28FC6	1 1/2	43	831	226
112991.00	A6T34FC33	2	33	824	179	113916.00	C6C28FB25	1/3	25	416	225
113019.00	C6T17VC1	3/4	28	766	134	113917.00	C6C28FB26	1/2	27	445	225
113020.00	C6T17VC2	1	32	799	134	113918.00	C6C28FB27	3/4	29	506	225
113021.00	C6T17VC3	11/2	44	833	134	113919.00	C6C28FB28	1	32	587	225
113022.00	C6T34VC1	3/4	23	670	134	113920.00	C6C28FB29	1 1/2	44	772	225
113023.00	C6T34VC2	1	35	781	134	113921.00	M6C14FC5	1/3	22	542	226
113024.00	C6T34VC3	11/2	42	828	134	113922.00	M6C14FC6	1/2	29	621	226
113025.00	C6T17DB40	2	32	555	34	113923.00	M6C14FC7	3/4	31	710	226
113026.00	C6T17FB5	2	35	567	45	113924.00	M6C14FC8	1	34	748	226
113027.00	C6C17DR37	1	30	599	13,127	113925.00	P6K14FC4	1 1/2	42	907	226
113028.00	C6T34FK34	3/4	23	515	116	113926.00	U6T34DR33	3	40	722	40, 189
113029.00	C6T34FK35	1	24	526	116	113927.00	C6T34FK44	2	34	679	70
113030.00	C6T34FK36	11/2	31	542	116	113928.00	C6C28FB24	2	44	935	225
113031.00	C6T34FK37	2	36	679	116	113929.00	P6K14FB9	1 1/2	49	859	225
113032.00	C6T34FK38	3	39	741	116	113930.00	C6K17DK11	1	34	637	23
113256.00	M6C17FB66	1/3	20	449	171	113931.00	C6C34FK52	2	46	879	27
113266.00	M6K17DB30	1 1/2	42	769	8, 12, 233	113932.00	C6K17DK16	1 1/2	39	687	23
113280.00	P6K17FZ6	1 1/2	47	1365	180	113933.00	C6T11FB13	1	35	638	44
113281.00	P6K17DK12	2	45	841	23, 28, 234	113936.00	C6K28FB2	3	48	1150	225
113290.00	M6C17FC59	1/3	28	594	173	113937.00	C6K28DB5	3	47	1047	224
113292.00	C6T34DB16	2	33	584	34	113938.00	M6K17FB39	1 1/2	39	806	171
113293.00	C6T34DB17	3	38	602	34	113939.00	C6P34NK5	1/2	42	553	179
113300.00	C6C17WK6	1 1/2	45	1088	133	113954.00	C6T17VC6	1/3	19	642	134
113301.00	M6K17FZ7	1 1/2	44	1347	180	113955.00	A6C34FC44	1/2	22	368	114
113302.00	M6C17FZ31	1	35	801	180	113956.00	A6C34FC45	3/4	26	438	114
113311.00	C6T11FC16	1/3	22	589	65	113957.00	A6C34FK53	1	28	547	114
113333.00	M6K17FB32	1 1/2	38	771	16, 19, 233	113958.00	A6C34FK54	1 1/2	34	650	114
113334.00	P6C34DC50	3	36	815	22	113959.00	U6C34FK55	2	43	766	114
113335.00	U6C34DC51	2	36	800	22	113971.00	A6T34XC26	2	50	1306	101
113336.00	A6C34DC52	1 1/2	28	619	22	114102.00	A6S46NR4	1/2-0.22	33	557	181, 203
113337.00	A6C34DC53	1	28	474	21	114142.00	C6T34FK46	1/2	21	417	69
113373.00	C6K46DR3	1-0.44	39	1014	191	114146.00	C6T17FB80	1	37	1367	258
113473.00	C6T17VC4	1/2	22	662	134	114147.00	C6T17FB79	3/4	34	1180	258
113580.00	C6C34WK2	1/3	27	623	133	114148.00	C6T11FB15	3/4	43	1459	258
113581.00	C6C34WK3	1/2	25	631	133	114149.00	C6T11FB16	1/2	33	1390	258
113582.00	C6C34WK4	3/4	31	640	133	114150.00	C6T17NB50	1/2	33	1008	258
113583.00	C6C34WK6	1	31	642	133	114151.00	C6T17NB51	1/3	28	925	258
113584.00	C6C34WK5	1 1/2	36	940	133	114152.00	C6T11FK5	1/2	34	1502	259
113586.00	C6T17VK2	1/2	23	678	136	114154.00	C6T17FK49	1/2	34	1044	259
113587.00	C6T17VK1	3/4	30	786	136	114155.00	C6T17FK48	3/4	46	1222	259
113588.00	C6T34VK3	1/2	26	606	136	114156.00	C6T17DC53	1/2	28	974	257
113589.00	C6T34VK2	3/4	24	665	136	114157.00	C6T17DC55	3/4	38	1135	257
113590.00	C6T34VK4	1	34	779	136	114158.00	C6T17NC194	1/3	26	944	259
113591.00	C6T34VK5	11/2	44	859	136	114159.00	C6T17FC111	1/2	26	1028	259
113592.00	C6T34VK6	2	48	955	136	114160.00	C6T17FC112	3/4	34	1206	259
113593.00	C6T34VC5	2	47	947	134	114161.00	C6T17FC110	1	31	1392	259
113608.00	A6K17DR28	2	45	803	13, 187	114162.00	C6T17DB46	1/2	28	948	257
113627.00	M6C34FB63	1 1/2	39	895	235	114163.00	C6T17DB47	3/4	29	1106	257
113630.00	M6K17DB33	1	31	660	8, 12, 233	114164.00	C6T17DB48	1	32	1205	257
113631.00	M6K34DB15	1 1/2	36	577	8, 12, 233	114165.00	C6C17NK19	1/3	28	974	257
113632.00	P6K34DB16	2	38	779	8, 12, 233	114166.00	C6T17DC54	1	40	1227	257
113633.00	U6C34DR21	2	38	795	13	114167.00	C6C17FK50	3/4	38	1383	257
113633.00	U6C34DR21	2	38	795	187	114176.00	C6T34FC42	1/2	19	403	65
113634.00	C6T11FC18	1 1/2	39	746	66	114192.00	C6T34DR35	1	24	481	40, 189
113637.00	A6C34FK49	1/2	23	423	114	114194.00	C6T34DR36	1 1/2	31	586	40, 189
113638.00	A6C34FK50	3/4	26	451	114	114196.00	C6T34DR37	2	36	678	40, 189
113639.00	A6C34FC41	1	30	533	114	114197.00	C6T17DR29	2	37	655	40, 189
113640.00	A6C34FC42	1 1/2	34	634	114	114198.00	C6T11FK6	1 1/2	41	790	70
113641.00	U6C34FC34	2	41	750	114	114201.00	C6T34DK7	3	35	791	115
113642.00	M6P17DR4	3/4	33	647	237	114202.00	C6T34DK6	2	35	671	115
113643.00	C6S46DR2	1/2-1/4	33	593	191	114203.00	C6T34DK5	1 1/2	33	562	115
113649.00	C6T17VC5	1/4	19	604	134	114204.00	C6T34FC41	3	52	727	116
113672.00	C6C46DR5	3/4-1/3	39	861	191	114205.00	C6T34FC40	2	40	672	116
113700.00	M6K17DK15	1 1/2	38	812	23, 28, 234	114206.00	C6T34FC39	11/2	31	530	116
113765.00	M6K17FB33	1/3	27	522	15, 18	114207.00	C6T34FC38	1	25	510	116
113766.00	M6K17FB34	1/2	30	580	15, 18	114208.00	C6T34FC37	3/4	22	429	116
113767.00	M6K17FB35	3/4	35	684	16, 18	114213.00	C6T17FC114	3/4	27	610	65
113768.00	M6K17FB36	1	37	785	16, 18	114214.00	M6K34DK8	1 1/2	35	615	23, 28, 234
113769.00	M6K17FB37	1 1/2	43	892	16, 18	114215.00	P6K34DK9	2	35	780	23, 28, 234
113770.00	M6K17FB38	2	49	1227	17, 18	114216.00	C6C34DB71	1	27	572	236
113846.00	A6T17DR25	1 1/2	29	625	40, 189	114218.00	C6T34DK8	2	34	692	61
113847.00	A6T17DR26	2	34	717	40, 189	114222.00	C6C28DR1	1/3	24	353	226
113890.00	C6T17FC91	3	43	765	67	114223.00	C6C14DR18	1/3	24	462	226
113891.00	C6T34DC64	1 1/2	28	549	115	114224.00	C6C28DR2	1/2	26	412	226
113892.00	C6T34DC65	2	33	652	115	114225.00	C6C14DR19	1/2	27	576	226
113893.00	C6T34DC66	3	36	770	115	114226.00	C6C28DR3	3/4	28	501	226
113894.00	C6T34DC63	2	31	603	60	114227.00	C6C14DR16	3/4	31	688	226
113895.00	A6T17DR30	1	25	556	40, 189	114228.00	C6C28DR4	1	31	570	226
113896.00	A6T34DR31	11/2	29	630	189	114229.00	C6C14DR17	1	35	759	226



DC Motors

Gearmotors

Ac / DC Controls

Accessories / Kits

Motors / Factory Options

X-Ref / Index

Tech Information

Terms / Warnings

Other Products

Leeson Catalog Number Index

Motors, Sub-FHP Gearmotors, Drives and Accessories

Catalog No.	Model Number	HP	Weight	List \$	Page #	Catalog No.	Model Number	HP	Weight	List \$	Page #
114231.00	C6K14DR12	1 1/2	42	852	226	116184.00	A6T34XC31	1	33	1000	101, 116
114233.00	C6K14DR13	2	49	1038	226	116185.00	A6C34XC33	1	49	909	100, 114
114304.00	C6T14NB1	0.37/1/2	25	592	227	116186.00	A6C34XC32	3/4	40	847	100, 114
114306.00	C6T28FB4	0.55/3/4	24	536	227	116187.00	A6T34EC28C	1/2	33	929	101, 116
114307.00	C6T14FB7	0.55/3/4	27	631	227	116188.00	A6C34XC31	1/2	35	752	100, 114
114308.00	C6T28FB5	0.75/1	26	642	227	116190.00	C6T17XK23	1/2	34	1311	102
114309.00	C6T17NB53	3/4	30	477	55	116191.00	C6T17XK24	3/4	38	1337	102
114310.00	C6C34WC2	1/3	25	619	133	116201.00	C6T8NC37	1/2	35	621	193
114311.00	C6C17WC2	1/3	27	628	133	116202.00	C6T8NC38	1	45	771	193
114312.00	C6C34WC3	1/2	25	628	133	116340.00	C6T11FK12	3/4	29	686	69
114313.00	C6C17WC3	1/2	29	645	133	116343.00	NZ6C17VK1	1/3	35	1441	161
114314.00	C6C34WC4	3/4	31	631	133	116344.00	NZ6C34VK2	1/2	38	1425	161
114315.00	C6C17WC4	3/4	31	745	133	116345.00	NZ6C17VK2	1/2	38	1461	161
114316.00	C6C34WC5	1	29	635	133	116346.00	NZ6K17VK2	3/4	42	1544	161
114317.00	C6C17WC5	1	34	845	133	116347.00	NZ6C34VK1	1	49	1617	161
114318.00	C6C34WC6	1 1/2	36	939	133	116348.00	NZ6K17VK1	1	49	1606	161
114319.00	C6C17WC6	1 1/2	43	1084	133	116349.00	NZ6C17VC1	1/3	35	1410	161
114394.00	CZ6T17VC10	1/2	30	787	153	116350.00	NZ6C17VC2	1/2	38	1437	161
114395.00	CZ6T17VC11	3/4	34	911	153	116351.00	CZ6K17VC2	3/4	42	1513	161
114419.00	A6T34XC28	3	54	1454	101	116352.00	CZ6K17VC1	1	49	1566	161
114420.00	C6T34DC68	3	37	641	60	116388.00	C6T17FK90	3	46	797	71
114424.00	A6C34XC26	1 1/2	44	1315	100	116462.00	C6T17VC43	1/3	39	1288	138, 260
114425.00	A6C34XC27	2	54	1617	100	116463.00	C6T17VC42	1/2	41	1320	138, 260
114437.00	CZ6T17VC12	1	44	945	153	116464.00	C6T17VC44	3/4	43	1571	138, 260
114560.00	CZ6T17VK3	1/2	34	795	153	116465.00	C6T17VC45	1	45	1627	138, 260
114561.00	CZ6T17VK4	3/4	38	919	153	116466.00	C6T17VK28	1/3	40	1335	138, 260
114562.00	CZ6T17VK5	1	45	955	153	116467.00	C6T17VK30	1/2	42	1361	138, 260
114581.00	CZ6T17WC14	1 1/2	45	991	153	116468.00	C6T17VK29	3/4	44	1615	138, 260
114582.00	CZ6T17WC11	2	51	1125	153	116469.00	C6T17VK27	1	48	1669	138, 260
114614.00	C6T34FB35	3	40	707	45	116482.00	CZ6K34WK1	11/2	49	1694	161
114615.00	C6T34FK55	3	38	757	71	116483.00	CZ6T17VK31	1/2	59	5035	162, 260
114616.00	C6T17WC12	2	48	972	134	116484.00	CZ6T17VK32	1	69	5305	162, 260
114617.00	C6C11FB7	1/4	30	555	15	116485.00	M6C17FK81	1/3	29	616	28, 173, 234
114618.00	C6T8FB11	1/2	31	907	43	116486.00	M6C17FK80	1/2	23	706	28, 173, 234
114620.00	A6P8N22	1/2	35	621	193	116487.00	M6C17FK79	3/4	30	822	28, 173, 234
114624.00	C6T17FK58	3/4	25	623	69	116488.00	M6C17FK78	1	34	933	173
114625.00	A6T34EK1	1/3	33	923	102	116489.00	M6K17FK47	1 1/2	44	1051	173
114626.00	A6T17EK7	1/3	38	997	102	116523.00	P6K34DB22	5SPL	35	665	11, 231
114627.00	A6T34EK2	1/2	35	962	102	116591.00	C6T11FB24B	1 1/2	45	733	44
114628.00	A6T17EK8	1/2	35	1043	102	116592.00	C6T11FK15	1 1/2	44	790	70
114629.00	A6T34XK2	3/4	33	994	102	116593.00	A6T17DR33	3	47	786	40, 189
114630.00	A6T17XK11	3/4	42	1063	102	116594.00	C6T17FB144	3	45	622	45
114631.00	A6T34XK3	1	34	1039	102	116595.00	C6T17DB90	3	44	602	34
114632.00	A6T17XK12	1	48	1128	102	116599.00	A6C17DR54	1	29	623	13, 187
114633.00	A6T34XK4	11/2	42	1179	102	116600.00	A6K17DR41	1 1/2	38	754	13, 187
114634.00	A6T17XK13	11/2	45	1207	102	116601.00	A6K17DR42	2	45	803	13, 187
114635.00	A6T34XK5	2	51	1167	102	116605.00	A6C34XK7	1/3	39	815	100
114636.00	A6T34XK6	3	62	1462	102	116606.00	A6C17XK33	1/3	42	852	100
114637.00	C6C34WK9	2	43	1084	133	116607.00	A6C17XK31	1/3	45	975	100
114638.00	C6T17FC132	1	34	849	66	116608.00	A6C34XK6	1/2	36	822	100
114888.00	C6T14F8B	0.75/1	28	638	227	116609.00	A6C17XK32	1/2	46	944	100
114889.00	C6T14FC5	0.25/1/3	18	539	228	116610.00	A6C17XK34	1/2	56	1057	100
114891.00	C6T14FC4	0.37/1/2	20	598	228	116611.00	A6C34XK5	3/4	41	879	100
114892.00	C6T9FC1	0.37/1/2	28	661	228	116612.00	A6C17XK30	3/4	51	1044	100
114893.00	C6T28FC1	0.55/3/4	24	536	228	116613.00	A6C34XK4	1	50	944	100
114894.00	C6T14FC6	0.55/3/4	27	639	228	116614.00	A6C17XK29	1	54	1150	100
114895.00	C6T28FC3	0.75/1	26	646	228	116615.00	A6C34XK3	1 1/2	45	1339	100
114896.00	C6T14FC7	0.75/1	28	665	228	116616.00	A6C34XK2	2	58	1640	100
114930.00	C6T11FB17	1 1/2	48	733	44	116630.00	C6T17DK28	2	32	622	61
114931.00	C6T34FC49	1/2	21	388	116	116631.00	C6T17DK29	3	38	719	62
114932.00	P6C17FB113	3/4	30	695	238	116640.00	C6T34VC16	1/3	19	624	134
114933.00	P6C17FB112	1	30	760	238	116641.00	C6T34VK15	1/3	22	644	136
114934.00	C6T17DC68	3/4	29	484	59	116642.00	C6T17WC23	1/3	19	642	134
114995.00	P6K34FK15	2	42	838	27, 28, 234	116643.00	C6T34VC17	1/2	22	644	134
115024.00	M6K34FK16	1 1/2	35	704	28	116644.00	C6T17WC24	1/2	22	662	134
115024.00	M6K34FK16	1 1/2	35	704	234	116645.00	C6T17FC204	3/4	28	766	134
115024.00	M6K34FK16	1 1/2	35	704	26	116646.00	C6T17WC25	1	32	799	134
115048.00	P6K34FK17	3	53	916	27, 28, 234	116647.00	C6T17WC26	11/2	44	833	134
115553.00	C6T17DC77	2	32	587	60	116698.00	C6T34DC92	5	45	845	115
115635.00	CZ6T17VK8	1	44	1461	160	116699.00	C6T34DK18	5	47	868	115
115743.00	C6T11VK1	1/2	24	849	136	116703.00	M6K17FK50	1 1/2	42	825	26, 28, 234
115744.00	C6T11VK2	3/4	25	923	136	116704.00	P6K17DB47	2	45	822	8, 12, 233
115745.00	C6T11WK3	1	35	987	136	116705.00	P6K34FB31	3	53	908	17, 19, 233
115746.00	C6T11WK4	11/2	31	1043	136	116706.00	M6C34DB75	3	39	828	9, 12, 233
115751.00	C6T17FB113	3	45	995	135, 181	116707.00	M6C34DK5	3	41	852	23, 28, 234
115778.00	A6T11DB20	1	37	724	194	116708.00	P6K34DB26	5	45	847	9, 12, 233
115779.00	A6T11DB21	11/2	39	787	194	116709.00	P6K34DK18	5	46	872	23, 28, 234
115825.00	C6T17DB79	1 1/2	34	470	34	116728.00	C6T11DC11	3/4	35	622	59
115826.00	C6T17DB78	2	33	505	34	116738.00	C6T17DB95	3/4	30	465	33
115827.00	C6T17DB77	1	24	440	33	116739.00	C6T17FB152	3/4	31	592	43
115828.00	C6T17FB119	2	37	526	45	116740.00	C6T17DC80	1	32	702	59
115829.00	C6T17FB121B	1 1/2	37	496	44	116741.00	C6T17DC81	1 1/2	36	733	59
115830.00	C6T17FB120	1	33	492	44	116742.00	C6T17DC82	2	41	824	60
115877.00	M6C34FK78	1	28	518	26, 28, 234	116743.00	C6T17FC209	1 1/2	41	895	66
115878.00	P6C34FK79	2	43	879	27	116744.00	C6T17FC210	2	45	940	66
115879.00	M6C17FK80	1	32	691	26, 28, 234	116745.00	C6T17FK98	1	34	878	69
115976.00	C6T34WC7	3	39	1156	134	116746.00	C6T17FK96	1 1/2	37	910	70
116106.00	C6T17FK76	2	36	629	70	116747.00	C6T17FK97	2	43	951	70
116107.00	C6T17FK77	3	45	797	71	116748.00	C6T34FC97	1	29	670	66
116128.00	C6T34DB30	1	24	560	33	116749.00	C6T11FC29	1	47	892	66
116129.00	C6T34FB49	1	24	654	44	116750.00	C6T34FC98C	1 1/2	33	761	66
116180.00	A6T34XC29	2	50	1071	101, 116	116751.00	C6T34FC94	2	44	880	66
116181.00	A6C34XC35	2	54	1267	100, 114	116752.00	C6T17DB92	1	36	639	33
116182.00	A6T34XC30	1 1/2	48	1025	101, 116	116753.00	C6T34DB31	1 1/2	36	624	34
116183.00	A6C34XC34	1 1/2	54	1164	100, 114	116754.00	C6T17DB91	1 1/2	35	667	34



Leeson Catalog Number Index

Motors, Sub-FHP Gearmotors, Drives and Accessories

Catalog No.	Model Number	HP	Weight	List \$	Page #	Catalog No.	Model Number	HP	Weight	List \$	Page #
116755.00	C6T34DB32	2	43	735	34	117760.00	C6T17FB161	1	32	737	172
116756.00	C6T17DB96	2	37	755	34	117761.00	C6T17FB162	1 1/2	34	752	172
116757.00	C6T17FB151	1	32	727	44	117762.00	CZ6T17VK52	1/2	36	1377	160
116758.00	C6T34FB50B	1 1/2	33	742	44	117772.00	C6T17FB163	1/2	30	550	172
116759.00	C6T17FB150	1 1/2	34	742	44	118007.00	C16D17FT1	1 1/11/2	64	1941	275, 289
116760.00	C6T34FB518	2	44	812	45	118008.00	C16D17FT2	1 5/2	84	2328	275, 289
116761.00	C6T17FB154	2	45	785	45	118009.00	C16D34FT1	1 5/2	72	1941	275, 289
116762.00	C6T17DK30	3/4	30	496	61	118010.00	C16D34FT2	2 2/3	82	2328	275, 289
116763.00	C6T17DK33	1	33	709	61	118014.00	C16D17FK1	2 2/3	90	3250	275, 289
116764.00	C6T17DK32	1 1/2	37	735	61	118015.00	C6D17EK1	1/3	27	2339	284
116765.00	C6T17DK31	2	42	831	61	118016.00	C6D17EK2	1/2	30	2641	284
116766.00	C6T17DC83	1 1/2	43	1427	257	118017.00	C6D17EK3	1/2	32	2641	284
116767.00	C6T17FB153	1 1/2	44	1535	258	118018.00	C6D17EK4	3/4	40	3272	284
116768.00	C6T17FC212	1 1/2	40	1561	259	118019.00	C6D17EK5	3/4	36	3272	284
116769.00	C6C34DK6	1	28	449	23	120000.00	A143C17DB1	1	32	615	8
116770.00	C6K34DK19	1 1/2	35	604	23	120001.00	U145K17DB1	1 1/2	40	822	8
116771.00	C6K34DK20	2	35	768	23	120003.00	M143C17DB2	1	33	616	8, 11, 231
116772.00	A6T11OZ3	1/2	25	634	194	120004.00	P145K17DB3	1 1/2	40	822	8, 11, 12
116773.00	A6T11OZ2	3/4	31	687	194	120008.00	M143C17FB2	1	31	681	16, 19, 233
116774.00	C6T34WC14	3/4	23	672	117, 137	120009.00	M145K17FB2	1 1/2	42	771	16, 19, 233
116775.00	C6T34WC15	1	35	781	117, 137	120017.00	C145K17FC3	1 1/2	40	845	25
116776.00	C6T34WC13	1 1/2	42	831	117, 137	120025.00	C143C17FB3	1	34	652	16
116777.00	C6T34WC11	2	47	950	117, 137	120026.00	C145K17FB3	1 1/2	44	672	16
116778.00	C6T34WC10	3	49	997	117, 137	120036.00	C145C34FB1	2	42	837	17
116779.00	C6T34WK12	3/4	24	690	117, 137	120042.00	C145K17DB5	1 1/2	38	647	8, 11, 231
116780.00	C6T34WK13	1	36	801	117, 137	120043.00	C145K11FB1	1	49	1093	16
116781.00	C6T34WK11	1 1/2	43	869	117, 137	120044.00	C143C17DB3	1	38	586	8, 11, 231
116782.00	C6T34WK10	2	48	966	117, 137	120040.00	P145K17FC2	2	45	1017	25
116783.00	C6T34WK9	3	50	1029	117, 137	120063.00	C143T11DC1	3/4	20	622	59
116784.00	C6T34DK16	1	23	471	61	120067.00	C145K17DB9	2	42	771	8
116785.00	C6T34DK17	1 1/2	28	558	61	120073.00	C145K17DC4	2	49	773	22
116789.00	P6K34DB27	5	45	706	11, 231	120097.00	C143T11FC1	3/4	32	667	65
116922.00	M6C17FK86	3/4	26	610	26	120101.00	C143C34FC1	1 1/2	36	747	25
117118.00	CZ6T34VK16	1/2	39	1439	168	120102.00	C145C34FC2	2	43	872	25
117119.00	CZ6T17VK43	1/2	40	1513	168	120106.00	C145C34DB3	2	40	799	8
117120.00	CZ6T34VK17	3/4	46	1488	168	120107.00	C143C34DB1	1 1/2	32	560	8
117121.00	CZ6T17VK44	3/4	47	1571	168	120130.00	C143C34FB1	1 1/2	36	637	16
117122.00	CZ6T34VK18	1	48	1598	168	120274.00	C145K17FK2	2	49	1107	27
117123.00	CZ6T17VK45	1	50	1608	168	120331.00	C145T17FC11	1 1/2	40	1561	259
117126.00	CZ6T34VC19	1/2	38	1410	168	120332.00	C145T17FC12	2	51	1602	259
117127.00	CZ6T17VC53	1/2	39	1485	168	120341.00	C145K34FB3	3	46	903	17, 235
117128.00	CZ6T34VC20	3/4	45	1459	168	120372.00	C145T17DC16	1 1/2	43	1427	257
117129.00	CZ6T17VC54	3/4	46	1544	168	120373.00	C145T17DC17	2	47	1608	257
117130.00	CZ6T34VC21	1	47	1569	168	120374.00	C143C34NB1	1 1/2	31	714	176, 192
117131.00	CZ6T17VC55	1	50	1581	168	120375.00	C145C34NB1	2	41	870	176, 192
117266.00	CZ6T17VK46	1 1/2	35	1377	160	120376.00	C145K34NB1	3	45	915	176, 192
117267.00	CZ6T17VK47	3/4	41	1428	160	120377.00	C143T34NB2	1 1/2	31	553	176, 192
117269.00	CZ6T34VK19	1/2	35	1284	160	120378.00	C145T34NB1	2	34	654	176, 192
117270.00	CZ6T17VC56	1/2	34	1349	161	120379.00	C145T34NB2	3	38	734	176, 192
117271.00	CZ6T34VK20	3/4	40	1330	160	120395.00	P145C34FB5	2	44	880	17, 19, 233
117272.00	CZ6T17VC57	3/4	40	1392	161	120485.00	C143T11FK2	3/4	34	686	69
117273.00	CZ6T34VK21	1	43	1455	160	120554.00	P145K34DB1	5	46	694	11, 231
117274.00	CZ6T17VC58	1	44	1438	161	120589.00	N143C17WB1	1	34	851	133
117275.00	CZ6T11VK5	1/2	35	1716	160	120590.00	C145C17WB1	1 1/2	47	1084	133
117276.00	CZ6T11VK6	3/4	46	1773	160	120728.00	C145K34FB12	3	52	1121	236
117277.00	CZ6T11WK7	1	48	1817	160	120760.00	C143T17VC1	1	35	799	134
117278.00	CZ6T11WK8	1 1/2	51	1889	160	120761.00	C145T17VC1	1 1/2	47	833	134
117279.00	CZ6T34VC22	1/2	35	1261	161	120824.00	P145K34FC6	3	56	976	25, 235
117280.00	CZ6T34VC23	3/4	40	1304	161	120855.00	M145K17FC13	2	45	1332	173
117281.00	CZ6T34VC24	1	43	1429	161	120867.00	P145K17FB22	2	48	1107	17, 19, 233
117282.00	CZ6T17WC28	1 1/2	49	1466	161	120879.00	P145K17DB38	2	51	864	8, 12, 233
117283.00	CZ6T17WC29	2	49	1478	161	120892.00	C143T17FB13	1	32	727	44
117284.00	CZ6T17WK26	1 1/2	49	1536	160	120922.00	C145T17FB33	1 1/2	34	754	44
117285.00	CZ6T17WK27	2	50	1817	160	120923.00	C145T17FB32	2	45	785	45
117286.00	CZ6T17WK28	1	39	1502	160	120925.00	C143C34FB5	1 1/2	44	801	236
117287.00	CZ6T17WC30	1	45	1438	161	120940.00	C145T48FB48	2 1/5	36	1116	197, 240
117296.00	CZ6T17WK30	1 1/2	56	1690	168	120941.00	C145T48FB60	1 5/37	36	957	197, 240
117297.00	CZ6T17WC32	1 1/2	55	1663	168	120942.00	C143T48FB8	1 1/5	37	1311	198, 240
117298.00	CZ6T17WC33	2	56	1954	168	120943.00	C143T48FB9	1 1/5	36	1311	198, 240
117299.00	CZ6T17WK29	2	57	1981	168	120944.00	C143T48FB6	1 1/25	36	919	197, 240
117516.00	CZ6T17WC44	1-0.75	45	1551	163, 272	120945.00	C143T48FB7	1 1/25	36	919	197, 240
117517.00	CZ6T17WC46	1.5 - 1.1	49	1636	163, 272	120946.00	C145T48FB59	2 1/5	35	1116	197, 240
117518.00	CZ6T17WC45	2 - 1.5	49	1817	163, 272	120947.00	C145T48FB61	1 5/37	36	959	197, 240
117689.00	M6K17FB56	1/3	27	493	172	120990.00	C145K28FC2	2	47	959	226
117690.00	M6K17FB57	1/2	30	565	172	120992.00	C145K17DK7	2	45	735	23
117691.00	M6K17FB60	3/4	35	679	172	120994.00	C145K17DK8	1 1/2	45	807	120
117692.00	M6K17FB58	1	37	765	172	120995.00	C145K17DK9	2	45	809	120
117693.00	M6K17FB59	1.5	43	872	172	120996.00	C143C17DK1	1	42	801	120
117701.00	C6C17FK92	1/2	22	505	29, 252	120997.00	C143C34FB6	2	44	879	236
117702.00	C6C17FK94	3/4	26	550	29, 252	120998.00	C145K34FB16	4	48	1171	236
117703.00	C6C17FK93	1	30	596	29, 252	121001.00	C143C17FC2	1	32	747	25
117704.00	C6C17FC175	1/2	21	485	29, 252	121002.00	C143C17DC2	1	31	610	21
117705.00	C6C17FC176	3/4	25	530	29, 252	121003.00	C143T17DB10	1	36	639	33, 39, 232
117706.00	C6C17FC177	1	29	570	29, 252	121004.00	C145T17DB32	1 1/2	35	667	34, 39, 232
117707.00	C6T17FK99	1/2	21	419	252	121005.00	C145T17DB33	2	37	755	34, 39, 232
117708.00	C6T17FK100	3/4	22	443	252	121008.00	C145C34FK2	2	43	879	27
117709.00	C6T17FK101	1	30	475	252	121009.00	C143T11FB2	3/4	34	629	43
117710.00	C6T17FK102	1.5	30	517	252	121039.00	C145T34VK1	2	43	955	136
117711.00	C6T17FC226	1/2	20	410	252	121040.00	C145T34VC1	2	45	947	134
117712.00	C6T17FC227	3/4	22	438	252	121060.00	P145K34FK4	3	51	985	27
117713.00	C6T17FC228	1	24	469	252	121063.00	C145T17DC30	1 1/2	36	733	59
117714.00	C6T34FC107	1.5	29	511	252	121064.00	C143T17DC12	1	32	702	59
117715.00	U6K34DC19	3	49	801	113	121065.00	C145T17FC38	2	45	940	66
117716.00	U6K34DC20	3	51	757	113	121066.00	C145T17FC37	1 1/2	41	895	66
117759.00	C6T17FB160	3/4	31	602	172	121067.00	C143T17FC16	1	36	849	66



DC Motors

Gearmotors

Ac / DC Controls

Accessories / Kits

Motors / Factory Options

X-Ref / Index

Tech Information

Terms / Warnings

Other Products

Leeson Catalog Number Index

Motors, Sub-FHP Gearmotors, Drives and Accessories

Catalog No.	Model Number	HP	Weight	List \$	Page #	Catalog No.	Model Number	HP	Weight	List \$	Page #
121070.00	C145K28FB6	3	50	1150	225	121934.00	C145T17FB87	2	54	883	181
121071.00	C145T17DC31F	2	41	824	60	121935.00	C143T17DK6	1	34	652	61
121093.00	C145T14FB13	1.1/11/2	40	661	227	121936.00	C145T11FK7	1	47	859	69
121094.00	C145T28FB5	1.5/2	42	715	227	121937.00	C143T17FB29	1	32	727	209
121095.00	C145T14FB14	1.5/2	40	748	227	121938.00	C145T11FB31	1	47	859	209
121096.00	C143T14FB2	0.75/1	35	638	227	121939.00	C145T34FB41	1 1/2	33	742	209
121097.00	C145T28FB4	1.1/11/2	34	661	227	121940.00	C145T17FB90	1 1/2	34	754	209
121098.00	C143T17NB6	1	35	547	55	121941.00	C145T34FB42	2	44	812	209
121099.00	C145T17NB9	1 1/2	47	572	55	121942.00	C145T17FB91	2	45	785	209
121109.00	CZ143T17VC2	1	40	945	153	121944.00	C145T17FB92	3	45	995	181
121165.00	CZ143T17VK2	1	45	955	153	121973.00	M143K17FB3	1	38	775	172
121179.00	C143T17FK9	1	34	878	69	121974.00	M143K17FB4	1.5	44	886	172
121180.00	C145T17FK26	1 1/2	37	910	70	121975.00	M145K17FB29	2	49	1200	172
121181.00	C145T17FK27	2	43	951	70	121982.00	C143T17FK23	1	32	693	252
121184.00	C145C34DC4	2	37	780	22	121983.00	C143T17FK24	1.5	34	732	252
121190.00	C145C34DK3	2	47	826	120	121984.00	C145T17FK65	2	45	806	252
121199.00	C145T8FB5	3/4	21	1045	43	121985.00	C143T17FC36	1	36	579	252
121272.00	C143T14FC2	0.75/1	31	665	228	121986.00	C145T17FC114	1.5	41	604	252
121273.00	C145T9FC3	0.75/1	39	765	228	121987.00	C145T17FC115	2	44	621	252
121274.00	C143T28FC1	1.1/11/2	33	687	228	121997.00	C145T17FB98	1 1/2	35	764	172
121275.00	C145T14FC6	1.1/11/2	37	696	228	121998.00	C145T17FB99	2	45	795	172
121276.00	C145T28FC1	1.5/2	41	688	228	128000.00	C145D17FK2	11/2	70	2026	282
121277.00	C145T14FC5	1.5/2	40	749	228	128001.00	C182D17FK3	2	84	2418	282
121465.00	P145K17FK10	2	44	1107	27, 28, 234	128010.00	C145D17FK3	2	83	2418	282
121507.00	C145K17FB24	2	48	1098	17	128023.00	C145D11FK1	1	82	2129	282
121514.00	C143T34DB4	1 1/2	36	624	34	131454.00	C213T34FK5	3.7/5	82	1007	227
121515.00	C145T34DB15	2	43	735	34	131459.00	C215T17FK20	2.2/3	64	883	227
121516.00	C145T34DB16	3	45	744	34	131463.00	C215T11FB11	3	80	888	45, 54, 232
121517.00	C145T11DB7	1	41	744	33	131464.00	C184T17FB42	5	87	976	46, 54, 232
121518.00	C143T34FB1	1 1/2	33	742	44	131468.00	C184T48FB61	3.7/5	78	1195	197, 240
121519.00	C145T34FB33	2	44	812	45	131469.00	C184T48FB62	5/1.2	94	1525	197, 240
121520.00	C145T11FB20	1	47	859	44	131470.00	C184T48FB63	3/1.5	80	1902	198, 240
121556.00	C143T17FC30	1	37	1392	259	131471.00	C184T48FB64	2/1	68	1676	198, 240
121569.00	M143C17FB13	1	30	715	171	131472.00	C184T48FB65	3/1.5	80	1902	198, 240
121613.00	C143T17VC8	1	46	1627	138, 260	131473.00	C184T48FB66	2/1	69	1676	198, 240
121614.00	C145T17WC20	11/2	49	2255	138, 260	131474.00	C184T48FB67	3.7/5	77	1195	197, 240
121615.00	C145T17WC19	2	61	2319	138, 260	131475.00	C184T48FB68	5/1.2	107	1525	197, 240
121616.00	C143T17VK7	1	49	1669	138, 260	131480.00	C182T28FB3	2.2/3	58	923	227
121622.00	CZ145K17WK2	11/2	53	1669	161	131481.00	C184T28FB14	3.7/5	76	1088	227
121623.00	CZ145K34WK1	2	57	1850	161	131501.00	C184T17FC29	5	90	1088	67
121624.00	CZ145K17WC2	11/2	53	1591	161	131502.00	C184T17FK15	5	99	1112	71
121625.00	M145K17FK11	2	46	1339	173	131503.00	C182T17FC26	3	72	1007	67
121632.00	CZ145K17WK1	2	57	1925	161	131504.00	C182T17FK14	3	75	1027	71
121633.00	CZ145K17WC1	2	57	1830	161	131505.00	C182T28FC2	2.2/3	59	940	228
121672.00	C143T34FK15	1 1/2	33	793	70	131506.00	C182T14FC3	2.2/3	63	872	228
121673.00	C145T34FK39	2	44	812	70	131507.00	C184T28FC3	3.7/5	75	1112	228
121674.00	C143T17DK5	1 1/2	34	709	61	131508.00	C184T14FC3	3.7/5	82	995	228
121675.00	C145T17DK22	1 1/2	37	735	61	131509.00	C182C17FB11	2	65	963	17
121676.00	C145T17DK21	2	42	831	61	131515.00	C182C17DB8	2	56	799	8, 11, 231
121678.00	C143T17DC14	1	42	1227	257	131516.00	C182C17FC3	2	64	1324	25
121680.00	C143C17FK1	1	32	691	26	131517.00	C184T17DC16	5	96	1038	60
121681.00	C145K17FK13	1 1/2	40	821	26	131518.00	C182T17DC20	3	75	884	60
121742.00	CZ145T34WC10	2	55	1933	168	131519.00	C182T17DB37	3	75	773	34, 39, 232
121743.00	CZ145T17WC22	2	56	1954	168	131520.00	C184T17DB44	5	86	871	35, 39, 232
121750.00	CZ143T34WC2	11/2	53	1669	168	131526.00	C184C11FB2	1 1/2	69	1773	16
121751.00	CZ143T17WC5	11/2	55	1663	168	131530.00	U184C17DB20	3	69	1023	9
121795.00	CZ143T17VK8	1	44	1461	160	131533.00	C184C17FB12	3	83	1136	17
121796.00	CZ143T17VC9	1	44	1438	161	131534.00	C184C17DB19	3	69	865	9, 11, 231
121815.00	C145K17FK17	1 1/2	40	1553	257	131535.00	U182C17DB9	2	63	851	8
121816.00	C145K17FK16	2	40	1589	257	131536.00	P182C17DB10	2	63	855	8, 11, 231
121825.00	C145K34FK9	3	47	928	27	131537.00	C184K17DB31	5	83	1038	9, 11, 231
121865.00	C143T17WB4	1	35	897	135	131538.00	C184K17FB15	5	95	1382	17
121866.00	C145T17WB22	2	46	1118	135	131539.00	C184K17DC6	5	81	1253	22
121867.00	C143T17WK11	1	37	943	136	131540.00	C184K17FC6	5	104	1625	25
121868.00	C145T17WK30	2	49	1215	136	131541.00	P182C17FB12	2	50	1211	171, 173
121869.00	C145T17WB23	1 1/2	51	899	135	131542.00	P184C17FB13	3	83	1269	171, 173
121870.00	C145T34WK28	3	46	1436	136	131543.00	P184K17FB16	5	96	1590	171
121871.00	C145T17WK31	11/2	53	983	136	131544.00	C184C17DC5	3	73	900	22
121873.00	CZ143T17WK12	1	50	1728	160	131545.00	C184C17FC4	3	82	1560	25
121874.00	CZ143T34WK7	1 1/2	45	1741	160	131549.00	C184K34FB6	5	93	1375	17
121875.00	CZ145T17WK32	1 1/2	49	1767	160	131553.00	C182C14DB3	2	70	1026	224
121876.00	CZ145T34WK18	2	49	2067	160	131554.00	C184C14DB2	3	80	1173	224
121877.00	CZ145T17WK33	2	50	2089	160	131555.00	C184K14DB9	5	95	2399	224
121878.00	CZ145T34WK27	3	53	2488	160	131556.00	C182C14FB6	2	95	1413	225
121879.00	CZ143T34WK8	11/2	54	1814	168	131557.00	C184C14FB6	3	98	2019	225
121880.00	CZ143T17WK13	11/2	56	1808	168	131560.00	C184K17DB32	5	82	1038	9
121881.00	CZ145T34WK19	2	56	2096	168	131561.00	P184C17DB21	3	76	1023	9
121882.00	CZ145T17WK34	2	57	2119	168	131571.00	C182C17WB3	2	60	1571	133
121908.00	CZ143T34WC6	11/2	53	1784	168	131578.00	C184K14FB5	5	103	2561	225
121909.00	CZ143T17WC11	11/2	55	1779	168	131599.00	P182C14FC2	2	70	1429	226
121910.00	CZ145T34WC18	2	55	2067	168	131600.00	P182C14FB5	2	71	1395	225
121911.00	CZ145T17WC36	2	56	2090	168	131601.00	P184C14FB7	3	98	1988	225
121912.00	CZ145T14KW40	11/2	47	1096	153	131602.00	P184K17FC7	5	104	2216	173
121913.00	CZ145T14KW41	2	54	1282	153	131603.00	P184C17FC5	3	104	1807	173
121914.00	A143T34XB25	1 1/2	49	1103	101	131604.00	C182C17DK2	3	73	1124	120
121915.00	A145T17XB28	1 1/2	59	1228	101	131605.00	C184K17DK14	5	82	1597	120
121916.00	A145T34XB25	2	55	1137	101	131610.00	C182T17FC28	3	69	2219	259
121917.00	C145T17XB27	2	60	1363	101	131611.00	C184T17FC34	5	92	2744	259
121918.00	U145T34XB26	3	56	1344	101	131612.00	C184T17FC36	7 1/2	149	3511	259
121919.00	C143T17XK3	1	44	1674	102	131616.00	C184K34DB3	5	84	1093	9
121920.00	C145T17XK6	11/2	58	1736	102	131622.00	P184K17DB33	5	82	1241	9, 11, 231
121921.00	C145T17XK7	2	62	1461	102	131624.00	C182T17DC21	3	56	2024	257
121922.00	C145T17XK8	2	66	1899	102	131625.00	C184T17DC18	5	76	2512	257
121928.00	C145T34DK16	3	45	755	62	131629.00	P184C17DK3	3	70	1023	23
121929.00	C145T34FK43	3	45	997	71	131630.00	M184K17DK13	5	77	1257	23, 28, 234



Leeson Catalog Number Index

Motors, Sub-FHP Gearmotors, Drives and Accessories

Catalog No.	Model Number	HP	Weight	List \$	Page #	Catalog No.	Model Number	HP	Weight	List \$	Page #
131631.00	P184C17FK9	3	84	1564	27	140486.00	C213T17FC7	7 1/2	144	1265	67
131632.00	P184K34FK2	5	103	1572	27, 28, 234	140521.00	C213T17FK7	7 1/2	144	1271	71
131633.00	P184K17FK11	5	86	1638	27, 28, 234	140522.00	C215T17FK3	10	160	1535	72
131636.00	C182K34DB3	3	74	919	9	140581.00	C215K17FB12	10	202	2058	17
131637.00	C182K34FB2	3	78	994	17	140637.00	C215T17FC8	10	136	4459	259
131638.00	C184K28FB2	5	98	1331	225	140640.00	C215K34DB2	10 - 15	159	2326	177, 202
131640.00	C182K34DK1	3	80	978	120	140641.00	C215T34DB3	10 - 15	95	1553	177, 202
131641.00	C184K34DK3	5	95	1390	120	140642.00	C213K34DK2	7 1/2	109	1977	120
131777.00	C184K34DC2	5	70	1205	22	140644.00	C215K34DK2	10	135	2227	120
131778.00	C184K34FC2	5	81	1566	25	140646.00	C213K34DK1	7 1/2	121	1651	119
131781.00	C184K34DK4	5	70	1209	23	140647.00	C215K34DK1	10	138	2227	119
131847.00	C182C34DB2	5 - 7	91	1361	177, 202	140665.00	C215K17DK1	7 1/2	141	2106	120
131848.00	C182K34DB4	7.5-10	95	1513	177, 202	140666.00	C215K17DK2	10	144	2606	120
131849.00	C184T34DB8	5-7.5	70	1102	177, 202	140678.00	C215K17FK4	10	152	2132	27
131850.00	C184T34DB9	7.5-10	85	1287	177, 202	140680.00	C213K34DB1	7 1/2	112	1689	9, 11, 231
131851.00	184TDDR7675	3	72	1022	9, 12, 233	140681.00	C215K34DB1	10	135	2135	9, 11, 231
131853.00	C184K17DK18	3	87	1022	23, 28, 234	140684.00	C213K34FB1	7 1/2	120	1766	17
131855.00	P184K17FB26	3	88	1227	17, 19, 233	140685.00	C215K34FB1	10	138	2167	17
131856.00	P184K17FB25	5	95	1426	17, 19, 233	140694.00	C213K34FK1	7 1/2	120	1845	27
131857.00	P14K17FK14	3	104	1564	27, 28, 234	140695.00	C215K34FK1	10	138	2202	27
131881.00	C184K34DK6	5	95	1390	119	140705.00	P215K17FK5	10	204	2569	178
131971.00	C182T11DB9	1 1/2	82	876	34	140706.00	P215K17FB16	10	152	2225	171
131972.00	C184T11DB9	2	88	890	34	140707.00	P215K17FB15	7 1/2	144	1900	171
131980.00	C182T11FB9	1 1/2	89	1252	44	140747.00	C215K11FB3	2	118	2630	17
131981.00	C184T11FB20	2	89	1275	45	140753.00	C213T34DB4	10	160	1243	35
131985.00	C182T34FB72	3	66	1008	45	140754.00	C215T34DB4	15	170	1652	35
131986.00	C184T34DB11	5	86	816	35	140755.00	C215T34FB11	10	170	1577	47
131987.00	C184T34FB20	5	88	1127	46	140756.00	C213T34FB1	7 1/2	156	1358	46
131988.00	C184T34DB12	7 1/2	106	1180	35	140767.00	C213T17DK7	7 1/2	132	1159	62
131994.00	P184C17FK10	3	105	1841	173	140768.00	C215T17DK6	10	144	1315	62
131995.00	P184K17FK13	5	105	2227	173	140769.00	C213T34FK1	10	175	1618	72
132042.00	P184K34FB9	5	103	1533	17, 19, 233	140770.00	C215T34FK11	7 1/2	160	1431	71
132043.00	C184K34DK8	7 1/2	112	1254	23	140806.00	C215K17DB5	7 1/2	120	1292	23
132044.00	C184K34DB8	7 1/2	110	1000	9, 11, 231	140807.00	C215K17FK6	7 1/2	171	1884	27
132073.00	C182C17DK3	2	70	845	120	140819.00	C213T17WB6	7 1/2	131	2179	135
132079.00	C182T34FK10	3	70	1173	71	140820.00	C215T17WB5	10	165	2607	135
132080.00	C184T34FK32	5	100	1159	71	140821.00	C215T17WK9	10	145	2694	136
132081.00	C182T17DK17	3	76	900	62	140822.00	C213T17WK9	7 1/2	135	2370	136
132082.00	C184T17DK26	5	97	1054	62	140823.00	C215T34WK9	10	129	3053	136
132083.00	C182K34DK2	3	74	959	23	140825.00	C213T34WK4	7 1/2	160	4140	160
132196.00	C182T17WB10	3	69	1501	135	140826.00	C213T17WK10	7 1/2	160	4674	160
132197.00	C184T17WB8	5	85	1717	135	140827.00	C215T34WK11	10	165	4257	160
132198.00	C182T17WK13	3	80	1628	136	140828.00	C215T17WK10	10	173	4814	160
132199.00	C182T34WK1	3	80	1650	136	140831.00	C213T17DB14	7 1/2	133	1093	41
132200.00	C184T34WK10	5	79	2039	136	140832.00	C213T17FB18	7 1/2	154	1254	56
132201.00	C184T17WK15	5	84	1838	136	140833.00	C215T17FK19	10	169	1546	178
132202.00	C184T34WB5	5	75	1717	135	140834.00	C215T11FK9	3	170	1467	71
132203.00	CZ182T34WK2	3	85	1530	135	141084.00	C215K34DB3	10 - 15	159	2326	177, 202
132204.00	C184T34MB6	7 1/2	87	2142	135	141111.00	C213T34DK6	10	160	1367	62
132205.00	C184T34WK17	7 1/2	94	2528	136	141116.00	C213T17FB20	7 1/2	144	1254	210
132206.00	C185T17WK14	3	85	2624	160	141119.00	C215T34DK3	15	170	1766	62
132207.00	C184T34WK11	5	90	2974	160	141120.00	C213T34WK6	7 1/2	140	2586	136
132208.00	C184T17WK16	5	96	2911	160	141145.00	C213T17FB22	7 1/2	144	1264	172
132232.00	C182T17DB57	3	75	773	41	141146.00	C215T17FB23	10	161	1527	172
132233.00	C184T17DB77	5	86	871	41	163115.60			6	136	364
132234.00	U182T17DB61	3	58	931	41	163116.60			6	136	367
132235.00	U184T17DB82	5	78	1045	41	170000.60	C286T11DB1	20	467	3657	33
132236.00	C184T17FB62	5	94	976	56	170001.60	C286T11FB6	20	392	4960	47
132237.00	C182T17FB50	3	80	888	56	170002.60	C324T11DB5	25	670	4355	34
132242.00	C184T34DK20	5	92	816	62	170003.60	C324T11FB3	25	545	5804	48
132243.00	C184T11FK6	2	93	1086	70	170004.60	C326T11DB1	30	760	4542	36
132244.00	C184T34DK21	7 1/2	106	1233	62	170005.60	C326T11FB3	30	615	6514	48
132246.00	C184T11FB24	2	96	1346	181	170006.60	C256T17DB5	20	324	2224	35, 39, 232
132247.00	C184T11FB25	2/1.5	96	1408	181	170007.60	C256T17FB4	20	322	2800	47, 54, 232
132251.00	C182T11FB13	1 1/2	89	1252	209	170009.60	C284T17DB7	25	404	2770	36
132252.00	C184T11FB26	2	92	1275	209	170011.60	C284T17FB5	25	385	3473	48
132253.00	C182T17FB52	3	80	888	210	170013.60	C286T17DB8	30	471	3002	36
132254.00	C184T34FB24	5	88	1007	210	170015.60	C286T17FB5	30	432	4046	48
132255.00	C184T17FB64	5	94	976	210	170017.60	C324T17DB8	40	560	3956	36
132306.00	C184T34WB6	7 1/2	87	2142	135	170019.60	C324T17FB5	40	528	5375	49
132313.00	C184T34FK48	7 1/2	103	1260	71	170021.60	C326T17DB5	50	614	4779	36
132328.00	C182T17FB54	3	80	898	172	170023.60	C326T17FB7	50	587	6492	49
132329.00	C184T17FB67	5	94	986	172	170025.60	C364T17DB7	60	716	5262	36
140120.00	N215K17FB1	7 1/2	169	1793	17	170027.60	C364T17FB6	60	666	9234	49
140130.00	P215K17FB2	7 1/2	144	2071	173	170029.60	C365T17DB5	75	766	6488	37
140155.00	C215K17DB2	7 1/2	113	1474	9, 11, 231	170031.60	C365T17FB4	75	733	11523	50
140203.00	P215K17FB3	5	119	1902	173	170032.60	C254T34DB5	20	275	2232	35
140209.00	P215K17FB4	7 1/2	141	2232	173	170033.60	C256T34FB10	20	316	2828	47
140223.00	P215K17FB5	5	150	1937	173	170034.60	C256T34DB5	25	327	2770	36
140311.00	C215K17DB4	10	140	2155	9, 11, 231	170035.60	C284T34FB5	25	383	3677	48
140414.00	P215K17FB6	10	156	2427	173	170036.60	C284T34DB4	30	396	3216	36
140443.00	C215T48FB45	7.5/1.9	154	2170	197, 240	170037.60	C286T34FB4	30	385	4341	48
140444.00	C215T48FB47	10/2.5	166	2531	197, 240	170038.60	C286T34DB3	40	441	4233	36
140445.00	C215T48FB43	5/2.5	145	2486	198, 240	170039.60	C324T34FB3	40	504	5414	49
140446.00	C215T48FB44	5/2.5	137	2486	198, 240	170040.60	C324T34DB3	50	548	5163	36
140447.00	C215T48FB46	7.5/1.9	155	2149	197, 240	170041.60	C326T34FB4	50	554	6575	49
140448.00	C215T48FB48	10/2.5	168	2531	197, 240	170042.60	C326T34DB5	60	590	6175	36
140450.00	C213T17FB6	7 1/2	144	1254	46, 54, 232	170043.60	C364T34FB3	60	735	9754	49
140451.00	C215T17FB18	10	161	1517	47, 54, 232	170044.60	C364T34DB3	75	720	8158	37
140470.00	C213T17DB2	7 1/2	133	1093	35, 39, 232	170045.60	C365T34FB3	75	780	11947	50
140472.00	C215T17DB15	10	144	1291	35, 39, 232	170062.60	C254T34FB4	15	282	2313	47
140475.00	P213K14FB1	5	163	2574	225	170064.60	C215T34DB3	15	175	1777	35
140483.00	C213T17DC7	7 1/2	132	1150	60	170065.60	C254T17DB9	15	279	1821	35
140484.00	C215T17FC4	10	160	1527	67	170066.60	C254T17FB10	15	280	2238	47, 54, 232
140485.00	C213T17DC5	10	144	1300	60	170067.60	C284T11DB7	7 1/2	414	3002	35



DC Motors

Gearmotors

Ac / DC Controls

Accessories / Kits

Motors / Factory Options

Leeson Catalog Number Index

Motors, Sub-FHP Gearmotors, Drives and Accessories

Catalog No.	Model Number	HP	Weight	List \$	Page #	Catalog No.	Model Number	HP	Weight	List \$	Page #	
170068.60	C284T11FB4	15	333	3966	47	171574.60	C213T11DB2	3	154	1155	34	
170070.60	C254T34DK6	20	275	2477	62	171575.60	C215T11DB6	5	188	1461	35	
170071.60	C256T17DK6	20	324	2557	62	171576.60	C445T11DB5	150	2040	16010	37	
170073.60	C284T17DK4	25	404	3187	63	171577.60	C447T11DB1	200	2820	21046	37	
170087.60	C405T17FB4	100	1070	14329	50	171578.60	C445T34FB3	150	1445	21679	51	
170096.60	C364T11FB4	40	636	8930	49	171579.60	C447T34FB3	200	1977	24969	51	
170097.60	C365T11FB5	50	672	10717	49	171580.60	C444T34FB8	125	1316	17565	50	
170098.60	C404T11FB3	60	870	12641	49	171586.60	C254T34FK8	15	292	2560	72	
170099.60	C405T11FB5	75	975	13324	50	171587.60	C254T17FK8	15	290	2683	72	
170104.60	C284T11FB9	15	333	4368	72	171588.60	C256T34FK3	20	326	3145	72	
170108.60	C286T34FK14	30	400	4093	73	171589.60	C256T17FK8	20	332	3204	72	
170110.60	C324T34FK8	40	574	6036	73	171590.60	C284T34FK5	25	393	3952	72	
170112.60	C326T34FK5	50	604	6212	73	171591.60	C284T17FK5	25	395	4089	72	
170114.60	C364T34FK3	60	860	10154	73	171592.60	C286T17FK4	30	442	4927	73	
170116.60	C254T17FB11	15	280	2238	211	171593.60	C324T17FK5	40	538	6369	73	
170117.60	C256T17FB5	20	322	2800	211	171594.60	C326T17FK5	50	597	6997	73	
170118.60	C284T17FB6	25	385	3473	211	171595.60	C364T17FK5	60	676	11095	73	
170119.60	C286T17FB6	30	432	4046	211	171596.60	C365T17FK6	75	743	12766	73	
170120.60	C324T17FB6	40	528	5375	211	171597.60	C405T17FK2	100	1002	15632	74	
170121.60	C326T17FB8	50	587	6492	211	171616.60	C213T34FW1	71/2	155	1608	90	
170122.60	C254T11FB3	7 1/2	249	2049	46	171617.60	C215T34FW1	10	190	1908	90	
170123.60	C256T11FB4	10	300	2930	47	171620.60	C254T34FW1	15	294	2593	90	
170138.60	C254T11FB9	7 1/2	249	2631	71	171621.60	C256T34FW1	20	330	3169	90	
170139.60	C256T11FB11	10	300	2932	72	171622.60	C213T17FW1	71/2	165	1552	90	
170140.60	C215T17FB43	10	177	1653	47	171623.60	C184T17FB1	3	112	1118	90	
170142.60	C213T17DB44	7 1/2	160	1159	35	171624.60	C182T34FB7	3	66	1127	210	
170143.60	C213T34DB45	10	150	1323	35	171630.60	C184T17FB1	5	120	1158	90	
170144.60	C215T17DB49	10	200	1367	35	171631.60	C215T17FB1	10	187	1850	90	
170145.60	C254T11DB43	7 1/2	291	1830	35	171632.60	C254T17W1	15	294	2508	90	
170145.60	C254T11DB43	7 1/2	291	1830	35	171633.60	C256T17FW1	20	335	3132	90	
170146.60	C256T11DB45	10	305	2280	35	171634.60	C213T11FW1	3	180	1578	90	
170147.60	C364T11DB1	40	892	6477	36	171635.60	C215T11FW1	5	186	1765	90	
170148.60	C365T11DB1	50	918	7409	36	171636.60	C254T11FW1	71/2	263	2295	90	
170149.60	C404T11DB5	60	1031	8201	36	171637.60	C256T11FW1	10	312	3282	90	
170150.60	C405T11DB6	75	1095	9720	37	171638.60	C284T11FW1	15	346	4443	90	
170151.60	C365T34DB4	100	775	9223	37	171639.60	C286T11FW1	20	405	5552	90	
170152.60	C404T17DB5	100	1141	8878	37	171640.60	C145T17FB25	1	50	780	44	
170154.60	C404T34DB1	125	1015	10661	37	171642.60	C143T34FB5	1 1/2	49	795	44	
170155.60	C405T17DB6	125	1292	11235	37	171643.60	C145T11FB25	1	58	918	44	
170157.60	C213T17F43	7 1/2	155	1385	46	171646.60	C145T17FB78	1 1/2	54	805	44	
170158.60	C215T11FB11	7 1/2	147	1438	46	171647.60	C145T17FB79	2	58	839	45	
170159.60	C215T34FB47	10	181	1703	47	171648.60	C145T34FB37	2	56	868	45	
170160.60	C449T11FB1	100	955	14711	50	171688.60	C256T34DK6	25	327	3100	63	
170165.60	C286T17DK5	7 1/2	155	1364	71	171689.60	C364T17DK2	60	716	6874	63	
170166.60	C213T34FK5	7 1/2	156	1424	71	171690.60	C365T17BK2	75	766	8349	63	
170167.60	C215T17FK20	10	177	1561	72	171691.60	C404T17DK2	100	1141	10626	63	
170168.60	C215T34FK15	10	181	1668	72	174000.00		1/2	2	726	358	
170170.60	C213T17DK15	7 1/2	165	1126	62	174001.00		1	3	816	358	
170171.60	C213T3DK7	10	192	1483	62	174002.00		1 1/2	4	969	358	
170172.60	C215T17DK13	10	198	1471	62	174003.00		2	5	1073	358	
170173.60	C215T34DK9	15	200	2049	62	174004.00		3	5	1303	358	
170175.60	C254T17DK7	15	276	2101	62	174006.00		4 1/5	3	750	358	
170196.60	C213T34FB43	7 1/2	156	1438	210	174007.00		6	3	884	358	
170197.60	C215T34FB48	10	181	1703	210	174008.00		6 4/5	4	974	358	
170198.60	C254T34FB5	15	282	2313	211	174009.00		9 3/5	4	1163	358	
170199.60	C256T34FB11	20	316	2828	211	174010.00		15 1/5	4	1496	358	
170212.60	C215T17FB44	10	177	1653	210	174011.00		22	8	2041	358	
170224.60	C284T34FB6	25	383	3677	211	174012.00		28	8	2439	358	
170228.60	C286T34FB6D	30	385	4341	211	174015.00		1/2	2	847	358	
170232.60	C324T34FB4	40	504	5414	211	174016.00		1	3	911	358	
170239.60	C364T17FB7	60	666	9234	212	174017.00		1 1/2	3	996	358	
170244.60	C365T17FB5	75	733	11523	212	174018.00		2	4	1099	358	
170253.60	C405T17FB5	100	1070	14329	212	174019.00		3	4	1229	358	
170255.60	C444T11DB4	100	1975	11480	37	174020.00		5	5	1566	358	
170256.60	C444T11FB6	100	1457	18967	50	174021.00		7 1/2	8	2041	358	
170259.60	C445T11DB4	125	2022	14923	37	174022.00		10	8	2439	358	
170260.60	C445T11FB5	125	1596	21431	50	174027.00		1	3	974	358	
170352.60	C447T17FB8	200	2227	24930	51	174028.00		2	4	1167	358	
170369.60	C444T17FB5	125	1950	19025	50	174029.00		3	5	1386	358	
170371.60	C445T17FB8	150	1627	21767	51	174030.00		5	5	1695	358	
170378.60	C324T17DK10	40	560	4624	63	174031.00		7 1/2	8	2201	358	
170379.60	C326T17DK4	50	614	5476	63	174032.00		10	8	2609	358	
170540.60	C254T17DB45	15	279	2007	175, 201	174102.00			6	592	338	
170541.60	C256T17DB10	20	324	2448	175, 201	174103.00			7	862	338	
170542.60	C286T17DB13	30	471	3296	175, 201	174107.00			7	804	338	
170615.60	C215T34FB13	15	200	2141	47	174140.00			25-30	1	815	359
170619.60	C284T34FK8	25	393	3469	72	174141.00			40	1	1037	359
170620.60	C286T34FK11	30	400	4093	73	174142.00			50-60	1	1199	359
171115.60	C365T34FK3	75	773	12192	73	174143.00			7 1/2	1	310	359
171116.60	C215T11FB11	5	180	1827	71	174143.00			10	1	310	359
171315.60	C447T11FB1	150	2230	24166	51	174143.00			10	1	310	359
171316.60	C449T11FB1	200	2542	31653	51	174144.00			15-20	1	471	359
171320.60	C182T17FB42	3	104	997	45	174144.00			15-20	1	471	359
171322.60	C184T17FB43	5	109	1036	46	174144.00			15-20	1	471	359
171377.60	C286T17DK5	30	471	3648	63	174144.00			15-20	1	471	359
171378.60	C213T11FB1	3	171	1410	45	174145.00			25-30	1	795	359
171379.60	C215T11FB1	5	176	1572	46	174145.00			25-30	1	795	359
171446.60	C184T34FK44	5	105	1209	71	174145.00			15-30	1	795	359
171449.60	C405T34DB2	150	1085	13153	37	174146.00			40	1	1037	359
171522.60	C444T17DB2	150	2000	13267	37	174147.00			50-60	1	1191	359
171523.60	C445T17DB14	200	2037	15301	37	174148.00			7 1/2	1	310	359
171564.60	C182T34FK14	3	90	1163	71	174148.00			10	1	310	359
171565.60	C182T17FK27	3	104	1144	71	174149.00			15-20	1	483	359
171566.60	C184T17FK35	5	109	1187	71	174149.00			15-20	1	483	359
171573.60	C444T35DB1	200	1765	11906	37	174150.00			2	250	363	



Leeson Catalog Number Index

Motors, Sub-FHP Gearmotors, Drives and Accessories

Catalog No.	Model Number	HP	Weight	List \$	Page #	Catalog No.	Model Number	HP	Weight	List \$	Page #
174151.00		1 - 1 1/2	3	363	362	174411.00		10	8	1003	362
174152.00		1 - 1 1/2	3	363	362	174412.00		1 - 1 1/2	3	371	362
174153.00		2 - 3	3	363	362	174413.00		2 - 3	4	503	362
174154.00		2 - 3	4	495	362	174414.00		5	5	657	362
174155.00		2 - 3	4	495	362	174415.00		7 1/2	6	831	362
174156.00		5	4	495	362	174416.00		10	8	1003	362
174157.00		1/3-1/2	2	311	362	174417.00		15-20	10	429	363
174158.00		1 - 1 1/2	2	311	362	174418.00		15-30	10	429	363
174159.00		5	5	645	362	174419.00		15-25	10	429	363
174160.00		5	5	645	362	174422.00			3	375	343
174161.00		7 1/2	5	645	362	174429.00		15	13	3009	355
174162.00		7 1/2	6	814	362	174430.00		20	14	3691	355
174163.00		7 1/2	6	814	362	174431.00		15	13	2950	355
174164.00		10	6	814	362	174432.00		20	14	3613	355
174165.00		10	8	983	362	174433.00		25	14	4301	355
174166.00		10	8	983	362	174434.00		15	8	3255	355
174167.00			8	983	362	174435.00		20	14	3980	355
174174.00			2	73	359	174436.00		25	14	4709	355
174175.00			2	105	359	174438.00		7 1/2	8	1946	355
174176.00			2	170	359	174439.00		10	8	2324	355
174177.00			2	268	359	174440.00		7 1/2	8	1946	355
174178.00		1/2	1	189	359	174441.00		10	8	2324	355
174178.00		1	1	189	359	174442.00		7 1/2	8	2097	355
174179.00		1	1	189	359	174443.00		10	8	2485	355
174179.00		1	1	189	359	174444.00		5	8	1700	355
174179.00		1 1/2	1	189	359	174445.00		1 1/2	5	1090	355
174179.00		2	1	189	359	174446.00		5	4	1424	355
174180.00		2	1	189	359	174447.00		5	5	1490	355
174180.00		2	1	189	359	174448.00		5	5	1615	355
174181.00		3	1	267	359	174452.00		1/4	2	692	355
174182.00		3	1	267	359	174453.00		1/2	2	723	355
174182.00		3	1	267	359	174454.00		1	3	777	355
174182.00		5	1	267	359	174455.00		1	3	716	355
174183.00		5	1	267	359	174456.00		1 1/2	3	840	355
174183.00		5	1	267	359	174457.00		2	4	928	355
174184.00		1/2-3	2	429	359	174458.00		3	4	1106	355
174184.00		5	2	429	359	174459.00		1/2	2	806	355
174185.00		5	2	467	359	174460.00		1	3	868	355
174185.00		5	2	467	359	174461.00		1 1/2	3	949	355
174186.00			3	181	362	174462.00		2	4	1047	355
174187.00			3	203	362	174463.00		3	4	1168	355
174188.00			3	242	362	174464.00		1	3	928	355
174189.00		1/3-1/2	2	883	362	174475.00		2	11	1831	348
174190.00			1	195	363	174482.00		1 1/2	8	1704	346
174191.00			2	255	363	174491.00		2	4	1112	355
174192.00		7 1/2	2	413	359	174492.00		1	4	966	355
174193.00		7 1/2	2	413	359	174493.00		1 1/2	4	924	355
174194.00			2	207	363	174494.00		2	5	1022	355
174263.00		1/3	2	471	357	174495.00		3	5	1239	355
174264.00		1/2	2	511	357	174497.00		3	5	1320	355
174265.00		1	3	679	357	174500.00		30	14	4998	355
174266.00		1 1/2	3	770	357	174510.00		50	75	12655	346
174267.00		1/3	2	435	357	174511.00		50	75	11320	346
174268.00		1/2	2	459	357	174512.00		40	54	10839	346
174270.00		1	3	511	357	174513.00		40	54	9755	346
174271.00		1 1/2	4	615	357	174515.00		1 1/2	11	2021	348
174272.00		2	5	724	357	174517.00		1 1/2	11	2604	348
174273.00		3	5	851	357	174519.00		1/4	8	1778	348
174274.00		1/2	2	435	357	174520.00		1/2	8	1977	348
174276.00		1	2	484	357	174521.00		1	11	2119	348
174277.00		1 1/2	3	575	357	174525.00		2	11	2228	348
174278.00		2	3	656	357	174526.00		3	12	2336	348
174279.00		3	3	727	357	174527.00		1/2	8	1818	347
174280.00		7 1/2	8	1281	357	174528.00		1	8	1950	347
174281.00		1/2	2	584	357	174529.00		1 1/2	8	2041	347
174282.00		1	3	623	357	174530.00		2	10	2164	347
174283.00		1 1/2	3	677	357	174531.00		3	11	2273	347
174284.00		2	4	723	357	174532.00		1	8	2142	347
174285.00		7 1/2	5	1231	357	174533.00		2	10	2428	347
174286.00		3	4	792	357	174534.00		3	10	2604	347
174287.00		5	5	948	357	174535.00		5	11	2973	347
174288.00		5	5	927	357	174536.00		1	8	2328	347
174290.00		10	8	1303	357	174537.00		2	10	2599	347
174291.00		10	8	1466	357	174538.00		3	10	2811	347
174292.00		15	14	2343	357	174539.00		5	11	3181	347
174293.00		15	8	1733	357	174545.00		7 1/2	13	2416	345
174298.00			3	1127	341	174548.00		7 1/2	11	3138	346
174299.00			3	1127	341	174549.00		7 1/2	13	3708	346
174306.00			2	255	363	174551.00		10	15	3127	345
174307.00			5	435	338	174552.00		10	13	3390	345
174308.00			5	595	338	174553.00		10	13	3787	345
174311.00			1	241	339	174554.00		10	11	4183	346
174314.00			1	72	339	174556.00		10	17	4865	346
174316.00			1	97	338	174557.00		15	19	4126	345
174400.00		1/4-1/2	2	319	362	174558.00		15	15	4353	345
174401.00		1 - 1 1/2	3	371	362	174559.00		15	17	4999	345
174402.00		2 - 3	4	503	362	174560.00		20	21	5598	345
174403.00		5	5	657	362	174561.00		20	17	5776	345
174404.00		7 1/2	6	831	362	174562.00		20	19	6350	345
174405.00		10	8	1003	362	174563.00		25	21	6810	345
174406.00		1/4-1/2	2	319	362	174564.00		25	21	7499	345
174407.00		1 - 1 1/2	3	371	362	174565.00		30	21	7415	345
174408.00		2 - 3	4	503	362	174567.00		40	35	8545	345
174409.00		5	5	657	362	174569.00		25	38	6781	345
174410.00		7 1/2	6	831	362						



DC Motors

Gearmotors

Ac / DC Controls

Accessories / Kits

Mods / Factory Options

X-Ref / Index

Tech Information

Terms / Warnings

Other Products

Leeson Catalog Number Index

Motors, Sub-FHP Gearmotors, Drives and Accessories

Catalog No.	Model Number	HP	Weight	List \$	Page #	Catalog No.	Model Number	HP	Weight	List \$	Page #
174571.00		30	44	8136	345	174735.00		7 1/2	27	3895	347
174572.00		60	67	11444	345	174737.00		10	32	4203	346
174573.00		60	51	12641	345	174738.00		10	32	4858	347
174574.00		60	98	12746	346	174740.00		15	40	5067	346
174575.00		60	98	14156	346	174741.00		15	40	5936	347
174576.00		40	130	12533	345	174743.00		20	42	6506	346
174578.00		60	185	17709	345	174745.00		7 1/2	11	4032	347
174580.00		75	185	14507	345	174747.00		10	11	4993	347
174581.00		75	200	15734	346	174749.00		15	32	5212	346
174582.00		100	250	17641	345	174750.00		15	32	5976	347
174583.00		100	300	19004	346	174752.00		20	36	6683	346
174584.00		125	260	19821	345	174753.00		20	36	7376	347
174585.00		125	310	21593	346	174755.00		25	42	7716	346
174586.00		150	360	27040	345	174757.00		30	53	8433	346
174593.00		50	44	10416	345	174759.00		7 1/2	13	4301	347
174594.00		50	45	11299	345	174761.00		10	17	5519	347
174595.00		25	53	8915	346	174763.00		15	38	5876	346
174596.00		30	53	9447	346	174764.00		15	38	6629	347
174597.00		30	53	9362	346	174766.00		20	40	7154	346
174598.00		30	22	8398	345	174767.00		20	40	8015	347
174599.00		40	38	9315	345	174769.00		25	42	8532	346
174603.00		1/3	3	540	349	174914.00		1/2	6	1093	345
174604.00		1/2	3	555	349	174915.00		1	6	1148	345
174605.00		1	3	619	349	174916.00		1 1/2	6	1203	345
174606.00		1/3	3	492	349	174917.00		2	9	1285	345
174607.00		1/2	3	517	349	174918.00		3	9	1382	345
174608.00		1	3	546	349	174919.00		5	11	1633	345
174609.00		1 1/2	4	609	349	174920.00		1	6	1377	345
174610.00		2	4	661	349	174921.00		2	7	1510	345
174611.00		3	4	837	349	174922.00		3	9	1633	345
174612.00		1 1/2	4	582	351	174923.00		5	9	1837	345
174613.00		2	4	625	351	174924.00		7 1/2	11	2496	345
174614.00		3	4	786	351	174925.00		1	6	1527	345
174615.00		5	4	938	351	174926.00		2	7	1687	345
174616.00		7 1/2	8	1252	351	174927.00		3	9	1864	345
174617.00		10	8	1546	351	174928.00		5	9	2033	345
174618.00		15	20	2403	351	174929.00		7 1/2	11	2485	345
174619.00		20	20	2954	351	174930.00		1/4	5	1032	344
174620.00		1/2	3	597	351	174931.00		1	7	1255	344
174621.00		1	3	641	351	174932.00		1 1/2	7	1390	344
174622.00		1 1/2	4	694	351	174933.00		2	9	1326	344
174623.00		2	4	741	351	174934.00		3	9	1460	344
174624.00		3	4	872	351	174935.00		1/2	8	1548	346
174625.00		5	4	987	351	174936.00		1	8	1682	346
174626.00		7 1/2	8	1250	351	174937.00		2	10	1800	346
174627.00		10	8	1544	351	174938.00		3	11	1948	346
174628.00		15	20	2410	351	174939.00		1	8	1894	346
174629.00		20	20	2963	351	174940.00		2	10	2090	346
174630.00		25	20	3677	351	174941.00		3	10	2240	346
174631.00		1	3	738	351	174942.00		5	11	2475	346
174632.00		2	4	823	351	174943.00		1	8	2060	346
174633.00		3	4	951	351	174944.00		2	10	2298	346
174634.00		5	4	1075	351	174945.00		3	10	2506	346
174635.00		7 1/2	8	1342	351	174946.00		5	11	2698	346
174636.00		10	8	1655	351	174996.00		1/4	8	1439	348
174637.00		15	20	2655	351	174997.00		1/2	7	1244	344
174638.00		20	20	3420	351	174998.00		1/2	8	1571	348
174639.00		25	20	3960	351	174999.00		1	11	1720	348
174651.00		1 1/2	5	780	349	175000.00		2	55	365	
174652.00		1/2	4	718	353	175003.00		2	52	114	
174653.00		1	4	818	353	175003.00		2	52	114	
174654.00		1 1/2	4	995	353	175004.00		2	59	114, 121	
174655.00		1/2	4	646	353	175024.00		2	92	370	
174656.00		1	4	691	353	175026.00		2	103	284	
174657.00		1 1/2	6	809	353	175026.00		2	103	284	
174658.00		2	6	877	353	175032.00		2	78	374	
174659.00		3	8	1050	353	175033.00		3	78	374	
174660.00		5	12	1304	353	175034.00		5	92	374	
174661.00		7 1/2	11	1754	353	175035.00		6	92	374	
174662.00		10	11	2213	353	175036.00		9	120	374	
174663.00		1	4	900	353	175037.00		9	120	374	
174664.00		2	6	1064	353	175038.00		13	148	374	
174665.00		3	6	1231	353	175039.00		15	148	374	
174666.00		5	12	1522	353	175040.00		17	227	374	
174667.00		7 1/2	12	1926	353	175041.00		18	227	374	
174668.00		10	11	2295	353	175042.00		21	246	374	
174671.00		1/2	4	773	353	175043.00		22	246	374	
174672.00		1	4	832	353	175044.00		31	325	374	
174673.00		1 1/2	6	900	353	175045.00		32	325	374	
174674.00		2	6	981	353	175046.00		44	429	374	
174675.00		3	6	1118	353	175047.00		45	429	374	
174676.00		5	12	1386	353	175048.00		60	771	374	
174677.00		7 1/2	12	1745	353	175049.00		61	771	374	
174678.00		10	11	2086	353	175050.60		12	309	369	
174693.00			2	152	363	175051.60		18	415	369	
174694.00			1	162	340	175052.60		22	727	369	
174695.00			1	162	340	175053.60		29	759	369	
174696.00			1	281	340	175054.60		39	1133	369	
174697.00			2	157	363	175055.60		49	1235	369	
174698.00			2	162	363	175056.60		59	1398	369	
174709.00			8	1138	338	175058.60		42	381	367	
174729.00		3	12	1939	348	175059.60		57	494	367	
174730.00		5	11	2401	346	175060.60		75	826	367	
174732.00		5	11	3165	347	175061.60		42	381	367	
174734.00		7 1/2	27	3331	346	175061.60		42	381	367	



Leeson Catalog Number Index

Motors, Sub-FHP Gearmotors, Drives and Accessories

Catalog No.	Model Number	HP	Weight	List \$	Page #	Catalog No.	Model Number	HP	Weight	List \$	Page #
175062.60			57	494	367	175583.00			58	3272	263
175063.60			49	826	367	175584.00			58	4230	263
175066.60			15	179	367	175585.00			58	3421	263
175067.60			25	274	367	175586.00			58	4312	263
175068.60			15	179	367	175587.00			60	3755	263
175075.00			2	65	365	175588.00			60	4472	263
175076.00			2	65	365	175589.00			62	4156	263
175077.00			2	65	365	175590.00			62	4995	263
175080.00				36	283	175593.00			2	173	165, 173, 297
175082.00				47	283	175594.00			3	208	165, 173, 297
175088.00			68	955	374	175595.00			5	325	165, 173, 297
175089.00			73	955	374	175596.00			1	131	165, 173, 297
175090.00			92	1054	374	175597.00			1	131	165, 173, 297
175091.00			2	79	374	175598.00			1	358	165, 173, 297
175092.00			3	115	374	175599.00			2	325	165, 173, 297
175093.00			5	135	374	175601.60			75	826	367
175094.00			8	190	374	175602.60			72	1199	364
175095.00			10	253	374	175603.60			75	826	367
175097.00			13	321	374	175604.60			72	1199	364
175098.00			22	429	374	175605.60			60	1087	367
175101.00			13	253	364	175606.60			115	1189	367
175106.00			2	77	276, 290	175607.60			106	1544	364
175107.00			1	77	276, 290	175608.60			106	1544	364
175108.00			3	77	276, 290	175614.00			3	75	119, 121
175109.00			1	77	276, 290	175615.00			10	678	261
175114.60			14	414	364	175616.00	3 Ft.Lbs.	1	24	1311	138
175115.60			14	414	364	175617.00	6 Ft.Lbs	2	36	1382	138
175116.60			25	531	364	175618.00	10 Ft.Lbs	3	43	1456	138
175118.60			42	635	364	175619.60				64	270
175119.60			52	635	364	175641.00			2	2342	372
175120.60			57	814	364	175642.00			2	2342	372
175121.60			57	814	364	175643.00			2	2342	372
175127.00			24	549	374	175644.00			2	2342	372
175129.00			1	77	276, 290	175645.00			2	2342	372
175130.00			2	188	276, 290	175646.00			2	55	365
175137.00			5	188	276, 290	175647.00			2	55	365
175142.00				63	276, 290	175649.00			2	91	373
175143.00				63	276, 290	175657.60			72	960	364
175144.00				69	276, 290	175658.60			12	281	364
175145.00				75	276, 290	175661.00			2	55	365
175146.00				48	276, 290	175663.60			10	212	369
175156.00			5	275	283	175664.60			115	1189	367
175157.00			8	290	283	175664.60			115	1189	367
175158.00			5	564	283	175665.60			5	95	373
175159.00			8	644	283	175666.60			4	61	373
175180.00			2	55	365	175667.60			3	40	373
175181.00			2	65	365	175668.60			2	36	373
175182.00				47	283	175674.00			10	914	371
175191.60			25	274	367	175675.00			11	955	371
175192.60			25	531	364	175676.00			17	1026	371
175199.60			60	1087	367	175677.00			24	1233	371
175290.00			2	521	340	175678.00			28	1314	371
175291.00			4	635	340	175684.00			1	1422	372
175292.00			4	635	340	175685.00			1	1422	372
175294.00			5	79	365	175686.00			2	2296	372
175297.00			2	55	365	175687.00			2	2296	372
175298.00			2	52	114	175691.00			3	79	365
175302.00			95	1054	374	175693.00			2	150	365
175303.00			15	141	365	175694.00			12	265	364
175304.00			15	141	365	175695.00			3	179	121
175305.00				106	119, 121	175696.00			12	1667	261
175310.00		1/2	3	486	343	175697.00			12	1889	261
175311.00		1	4	615	343	175698.00			12	1667	261
175318.00		1/4	2	371	343	175699.00			12	1889	261
175320.00		1/4	3	383	343	175710.60			30	308	261
175321.00		1/2	3	383	343	175711.60			40	438	261
175322.00		1/2	4	475	343	175720.00			8	1242	339
175323.00		1	4	470	343	175721.00			2	801	339
175324.00			2	121	343	175722.00			2	139	339
175325.00		1/6 - 1	1	29	343	175755.00			2	103	373
175326.00			3	375	343	175762.00			10	678	261
175396.60			14	281	364	175763.00			10	780	261
175454.60			57	494	367	175765.00			10	678	261
175455.60			57	1102	364	175766.00			10	780	261
175558.00			55	3464	371	175767.00			10	893	261
175563.00			13	670	263	175768.00			12	678	261
175564.00			13	670	263	175769.00			12	780	261
175565.00			13	670	263	175770.00			12	893	261
175566.00	3 Ft. Lbs	1	13	1179	138, 263	175771.00	3 Ft.Lbs.	1	24	1311	138, 262
175567.00	3 Ft. Lbs	1	13	1179	138, 263	175772.00	6 Ft.Lbs	2	36	1382	138, 262
175568.00	3 Ft. Lbs	1	13	1179	138, 263	175773.00	10 Ft.Lbs	3	43	1456	138, 262
175569.00			14	768	263	175775.00			4	816	371
175570.00			14	768	263	175778.00			2	92	370
175571.00			14	768	263	175784.00				75	276, 290
175572.00	6 Ft.Lbs	2	14	1269	138, 263	175787.00			7	189	368
175573.00	6 Ft.Lbs	2	14	1269	138, 263	175788.00			10	282	368
175574.00	6 Ft.Lbs	2	14	1269	138, 263	175789.00			16	338	368
175575.00			15	805	263	175790.00			35	400	368
175576.00			15	805	263	175791.00			47	522	368
175577.00			15	805	263	175792.00			2	59	370
175578.00			15	1343	263	175794.00			89	604	368
175579.00			15	1343	263	175795.00			95	1373	368
175580.00			15	1343	263	175796.00			91	834	368
175581.00			16	919	263	175797.00			129	1062	368
175582.00			16	1562	263	175802.00			1	47	283

DC Motors

Gearmotors

Ac / DC Controls

Accessories / Kits

Mods / Factory Options

X-Ref / Index

Tech Information

Terms / Warnings

Other Products



Leeson Catalog Number Index

Motors, Sub-FHP Gearmotors, Drives and Accessories

Catalog No.	Model Number	HP	Weight	List \$	Page #	Catalog No.	Model Number	HP	Weight	List \$	Page #
175805.60			12	167	367	191476.00	C6C34WK19	3/4	32	740	155
175805.60			12	167	367	191477.00	C6C17WK15	3/4	39	876	155
175810.60			13	133	270	191478.00	C6C34WK20	1	39	870	155
175811.60			16	142	270	191479.00	C6C17WK16	1	43	913	155
175812.60			20	189	270	191480.00	C6K34WK2	1 1/2	43	957	155
175817.60			8	133	270	191481.00	C6K17WK1	1 1/2	53	954	155
175818.60			8	133	270	191482.00	C145K34WK2	2	65	1235	155
175819.60			12	179	270	191483.00	C145K17WK3	2	65	1210	155
175827.60				142	270	191486.00	C143T34WK10	1	42	1060	156
175828.60				189	270	191487.00	C143T17WK14	1	48	1114	156
175830.60				443	270	191488.00	C143T34WK12	1 1/2	49	1172	156
175832.60				133	270	191489.00	C145T17WK35	1 1/2	49	1161	156
175833.60				179	270	191490.00	C145T34WK26	2	50	1403	156
175834.60				343	270	191491.00	C145T17WK37F	2	53	1378	156
175844.00			15	150	365	191492.00	C145T34WK21	3	62	1505	156
175845.00			19	150	365	191528.00	C6T11NK6	1	49	978	156
175846.00			12	106	119	191742.00	M4P17DJ21	1/3	18	491	237
175847.00			11	111	373	191743.00	M4P17DJ22	1/2	24	552	237
175849.00			12	106	121	191868.00	A4S17DR55	1/4	15	254	194
175850.00			1	69	270	191869.00	A4S17DR56	1/3	17	273	194
175851.00			1	64	270	191870.00	A4S17DR57	1/2	19	316	194
175852.00			1	82	270	191871.00	A4P17NZ65	1/3	15	278	196
175853.00			1	79	270	191872.00	A4P17NZ63	1/4	14	254	196
175854.00			2	90	270	191873.00	A4P17NZ67	1/2	24	321	196
175855.00			1	87	270	191875.00	A4P17NZ68	1/2	24	321	196
175856.00			2	93	270	191891.00	A4P11NZ26	1/4	22	281	196
175857.00			1	87	270	191892.00	A4P11NZ28	1/3	23	315	196
175869.60			15	179	367	191893.00	A4P11NZ30	1/2	26	365	196
175871.00			1	233	369	191908.00	A4P17NZ64	1/4	14	254	196
175872.00			1	129	369	191909.00	A4P11NZ27	1/4	25	281	196
175873.60			2	335	369	191910.00	A4P17NZ66	1/3	15	278	196
175874.60			3	335	369	191911.00	A4P11NZ29	1/3	26	315	196
175875.60			4	786	369	191912.00	A4P11NZ31	1/2	26	365	196
175876.00			4	816	371	191949.00	C6T17NK76		34	744	156
175879.00			35	2728	371	191950.00	C6T17NK47	3/4	39	856	156
175880.00			45	3027	371	192010.00	C63T34FZ1	1/4-0.18	10	257	266
175881.00			1	17	373	192011.00	C63T17FZ1	1/4-0.18	11	267	266
175890.60			43	443	270	192012.00	C71T11FZ1	1/4-0.18	12	456	266
175891.60			112	1398	369	192014.00	C63T34FZ5	1/4-0.18	10	295	267
175892.00			2	76	373	192015.00	C63T17FZ3	1/4-0.18	11	305	267
175893.00				42	332	192016.00	C71T11FZ3	1/4-0.18	12	522	267
175894.60			5	786	369	192017.00	C63T34FZ3	1/4-0.18	10	289	268
175895.00			4	914	371	192018.00	C63T17FZ2	1/4-0.18	11	300	268
175896.00			5	955	371	192019.00	C71T11FZ2	1/4-0.18	12	522	268
175897.00			1	1661	372	192020.00	C63T34FZ2	1/3-0.25	11	295	266
175898.00			1	1661	372	192021.00	C71T17FZ1	1/3-0.25	13	312	266
175900.00				59	271	192022.00	C80T11FZ1	1/3-0.25	17	487	266
175901.00				66	271	192024.00	C63T34FZ6	1/3-0.25	11	340	267
175902.00				76	271	192025.00	C71T17FZ5	1/3-0.25	13	352	267
175903.00				79	271	192026.00	C80T11FZ7	1/3-0.25	17	563	267
175932.00				32	119	192027.00	C63T34FZ4	1/3-0.25	11	338	268
175933.00			2	36	119	192028.00	C71T17FZ3	1/3-0.25	13	341	268
175933.00				36	119, 121	192029.00	C80T11FZ4	1/3-0.25	17	563	268
175955.60			72	960	364	192030.00	C71T34FZ1	1/2-0.37	13	321	266
175956.60			90	1333	364	192031.00	C71T17FZ2	1/2-0.37	14	325	266
175957.60			90	1333	364	192032.00	C80T11FZ2	1/2-0.37	19	510	266
175958.60			112	1315	367	192034.00	C71T34FZ5	1/2-0.37	13	351	267
175959.60			14	414	364	192035.00	C71T17FZ6	1/2-0.37	14	362	267
175960.00			1	1147	372	192036.00	C80T11FZ8	1/2-0.37	19	583	267
175961.00			3	69	370	192037.00	C71T34FZ3	1/2-0.37	13	342	268
175962.00			4	106	121	192038.00	C71T17FZ4	1/2-0.37	14	356	268
175963.00			7	135	121	192039.00	C80T11FZ5	1/2-0.37	19	583	268
175969.00			2	55	365	192040.00	C71T34FZ2	3/4-0.55	15	335	266
175990.60			36	356	270	192041.00	C80T17FZ1	3/4-0.55	18	353	266
175991.60			25	343	270	192042.00	C80T11FZ3	3/4-0.55	22	546	266
175994.60			58	577	270	192044.00	C71T34FZ6	3/4-0.55	15	370	267
175995.60				738	270	192045.00	C80T17FZ5	3/4-0.55	18	393	267
191200.00	C6T34NK26	1/3	29	645	156	192046.00	C80T11FZ9	3/4-0.55	22	619	267
191201.00	C6T17NK29	1/3	30	722	156	192047.00	C71T34FZ4	3/4-0.55	15	362	268
191202.00	C6T17NC328	1/3	30	716	157	192048.00	C80T17FZ3	3/4-0.55	18	388	268
191203.00	C6T34NK27	1/2	32	660	156	192049.00	C80T11FZ6	3/4-0.55	22	619	268
191204.00	C6T17NK30		33	744	156	192050.00	C80T34FZ1	1-0.75	21	379	266
191205.00	C6T17NC329	1/2	33	733	157	192051.00	C80T17FZ2	1-0.75	26	387	266
191206.00	C6T34NK28	3/4	33	725	156	192054.00	C80T34FZ5	1-0.75	21	408	267
191207.00	C6T17NK31	3/4	38	856	156	192055.00	C80T17FZ6	1-0.75	26	427	267
191208.00	C6T17NC298	3/4	38	854	157	192057.00	C80T34FZ3	1-0.75	21	397	268
191209.00	C6T34FK85	1	41	851	156	192058.00	C80T17FZ4	1-0.75	26	416	268
191211.00	C6T17FK81	1	47	893	156	192060.00	C80T34FZ2	1 1/2-1.1	27	420	266
191213.00	C6T17FC177	1	47	890	157	192064.00	C80T34FZ6	1 1/2-1.1	30	463	267
191215.00	C6T34FK86	1 1/2	48	938	156	192067.00	C80T34FZ4	1 1/2-1.1	27	453	268
191217.00	C6T17FK82	1 1/2	48	931	156	192088.00	C63T34FZ7	1/4-0.18	10	257	269
191219.00	C6T17FC178	1 1/2	48	929	157	192089.00	C63T17FZ4	1/4-0.18	11	267	269
191221.00	C6T34FK87	2	49	1039	156	192097.00	C63T34FZ10	1/3-0.25	11	300	269
191223.00	C6T17FK83	2	52	1063	156	192098.00	C71T17FZ7	1/3-0.25	13	312	269
191225.00	C6T17FC179	2	52	1058	157	192106.00	C71T34FZ7	1/2-0.37	13	321	269
191290.00	C6T17NC310	1	45	890	157	192107.00	C71T17FZ10	1/2-0.37	14	325	269
191291.00	C6T17NK38	1	46	893	156	192115.00	C71T34FZ10	3/4-0.56	15	335	269
191414.00	C6T11NK4	1/2	36	809	156	192116.00	C80T17FZ7	3/4-0.56	18	353	269
191415.00	C6T11NK5	3/4	49	931	156	192124.00	C80T34FZ7	1-0.75	21	379	269
191417.00	C6T11NK6	1	49	974	156	192125.00	C80T17FZ10	1-0.75	26	387	269
191419.00	C6T11NC42	1/2	35	799	157	192133.00	C80T34FZ10	1 1/2-1.1	27	420	269
191420.00	C6T11NC43	3/4	47	929	157	192200.00	C90T11FZ13	1-0.75	33	655	266
191421.00	C6T11NC44	1	47	971	157	192201.00	C90T11FZ14	1-0.75	35	750	267
191474.00	C6C34WK18	1/2	30	673	155	192202.00	C90T17FZ13	1 1/2-1.1	37	495	266
191475.00	C6C17WK14	1/2	32	759	155	192203.00	C90T17FZ14	1 1/2-1.1	37	543	267



Leeson Catalog Number Index

Motors, Sub-FHP Gearmotors, Drives and Accessories

Catalog No.	Model Number	HP	Weight	List \$	Page #	Catalog No.	Model Number	HP	Weight	List \$	Page #
192204.00	C90T17FZ15	1 1/2-1.1	37	532	268	193380.60	C100T34FZ23	4-3	71	919	269
192205.00	C90T17FZ16	2-1.5	38	533	266	193381.60	C100T17FZ48	4-3	84	936	269
192206.00	C90T17FZ17	2-1.5	38	609	267	193382.60	C112T34FZ27	5 1/2-4	104	1181	269
192207.00	C90T17FZ18	2-1.5	38	592	268	193383.60	C112T17FZ24	5 1/2-4	104	1138	269
192208.00	C90T34FZ13	2-1.5	33	516	266	193384.60	C132T34FZ51	7 1/2-5.5	152	1481	269
192209.00	C90T34FZ14	3-2.2	39	743	266	193385.60	C132T17FZ49	7 1/2-5.5	150	1481	269
192210.00	C90T34FZ15	2-1.5	33	592	267	193386.60	C132T34FZ52	10-7.5	163	1585	269
192211.00	C90T34FZ16	3-2.2	39	838	267	193387.60	C132T17FZ50	10-7.5	174	1757	269
192212.00	C80T11FZ15	1-0.75	35	750	268	193388.60	C160T34FZ68	15-11	260	2567	269
192213.00	C90T34FZ17	2-1.5	33	579	268	193389.60	C160T17FZ49	15-11	264	2567	269
192214.00	C90T34FZ18	3-2.2	39	838	268	193390.60	C160T34FZ69	20-15	269	3011	269
192230.00	C90T17FZ19	1 1/2-1.1	37	430	269	193391.60	C160T17FZ50	20-15	311	3175	269
192231.00	C90T34FZ19	2-1.5	33	448	269	193392.60	C160T34FZ70	25-18.5	319	3666	269
192232.00	C90T17FZ20	2-1.5	38	463	269	193393.60	C180T17FZ45	25-18.5	381	4034	269
192233.00	C90T34FZ20	3-2.2	39	645	269	193394.60	C180T34FZ21	30-22	355	4356	269
193300.60	C100T11FZ20	2-1.5	82	889	266	193395.60	C180T17FZ46	30-22	427	4535	269
193301.60	C100T17FZ41	3-2.2	84	862	266	193396.60	C200T34FZ39	40-30	522	6202	269
193302.60	C112T11FZ21	3-2.2	100	1250	266	193397.60	C200T17FZ22	40-30	531	6677	269
193303.60	C100T34FZ20	4-3	71	919	266	193398.60	C200T34FZ40	50-37	546	8134	269
193304.60	C100T17FZ42	4-3	84	936	266	193399.60	C225T17FZ22	50-37	632	9262	269
193305.60	C132T11FZ58	4-3	154	1516	266	194000.00	C182T34FK1	3	78	1605	156
193306.60	C112T34FZ24	5 1/2-4	104	1181	266	194001.00	C182T17FK1	3	80	1615	156
193307.60	C112T17FZ21	5 1/2-4	104	1138	266	194002.00	C184T34FK1	5	85	1675	156
193308.60	C132T11FZ59	5 1/2-4	176	1752	266	194003.00	C184T17FK1	5	86	1690	156
193309.60	C132T34FZ45	7 1/2-5.5	152	1481	266	194004.00	C213T34FK1	7 1/2	130	1956	156
193310.60	C132T17FZ43	7 1/2-5.5	150	1481	266	194005.00	C213T17FK1	7 1/2	121	1970	156
193311.60	C132T11FZ60	7 1/2-5.5	180	2106	266	194006.00	C215T34FK1	10	145	2237	156
193312.60	C132T34FZ46	10-7.5	163	1585	266	194007.00	C215T17FK1	10	135	2245	156
193313.60	C132T17FZ44	10-7.5	174	1757	266	194008.00	C254T34FK1	15	225	5179	156
193314.60	C160T11FZ39	10-7.5	251	2732	266	194009.00	C254T17FK1	15	241	5190	156
193315.60	C160T34FZ59	15-11	260	2567	266	194010.00	C256T34FK1	20	265	5413	156
193316.60	C160T17FZ43	15-11	264	2567	266	194011.00	C256T17FK1	20	282	5425	156
193317.60	C160T11FZ40	15-11	330	3507	266	194012.00	C284T34FK1	25	347	6671	156
193318.60	C160T34FZ60	20-15	269	3011	266	194013.00	C284T17FK1	25	363	6690	156
193319.60	C160T17FZ44	20-15	311	3175	266	194014.00	C286T34FK1	30	381	6905	156
193320.60	C180T11FZ20	20-15	385	4917	266	194015.00	C286T17FK1	30	386	6925	156
193321.60	C160T34FZ61	25-18.5	319	3666	266	810001.00	286THFPA8090	20	450	10615	78
193322.60	C180T17FZ41	25-18.5	381	4034	266	810003.00	324THFPA8090	25	620	12487	78
193323.60	C200T11FZ39	25-18.5	517	6168	266	810005.00	326THFPA8090	30	700	13742	78
193324.60	C180T34FZ19	30-22	355	4356	266	810007.00	256THTNA8070	20	435	5716	78
193325.60	C180T17FZ42	30-22	427	4535	266	810011.00	284THFPA8060	25	438	7124	78
193326.60	C200T11FZ40	30-22	467	6987	266	810015.00	286THFPA8040	30	520	7845	78
193327.60	C200T34FZ37	40-30	522	6202	266	810019.00	324THFPA8050	40	620	9922	78
193328.60	C200T17FZ21	40-30	531	6677	266	810023.00	326THFPA8040	50	640	11704	78
193329.60	C225T11FZ21	40-30	633	10495	266	810027.00	364THFS8059	60	975	15063	78
193330.60	C200T34FZ38	50-37	546	8134	266	810031.00	365THFS8074	75	1050	18063	78
193331.60	C225T17FZ21	50-37	632	9262	266	810066.00	254THTNA8060	15	320	4195	78
193332.60	C250T11FZ19	50-37	655	14712	266	810068.00	284THPA7090	15	440	8860	78
193333.60	C100T11FZ21	2-1.5	82	1022	267	810087.00	405THFS8329	100	1400	22006	78
193334.60	C100T17FZ43	3-2.2	84	991	267	810096.00	364THFS18079	40	975	16572	78
193335.60	C112T11FZ22	3-2.2	100	1399	267	810097.00	365THFS8397	50	1029	19866	78
193336.60	C100T34FZ21	4-3	71	1051	267	810098.00	404THFS8378	60	1322	22040	78
193337.60	C100T17FZ44	4-3	84	1066	267	810099.00	405THFS8386	75	1350	26853	78
193338.60	C132T11FZ61	4-3	154	1710	267	810140.00	215THTS8070	10	290	3499	77
193339.60	C112T34FZ25	5 1/2-4	104	1323	267	810157.00	213THTS8070	7 1/2	180	2967	77
193340.60	C112T17FZ22	5 1/2-4	104	1281	267	810503.00	445THFN8335	200	2450	37271	78
193341.60	C132T11FZ62	5 1/2-4	176	1949	267	810546.00	145THTN8045	2	70	1663	77
193342.60	C132T34FZ47	7 1/2-5.5	152	1671	267	810547.00	145THTN8044	1 1/2	68	1592	77
193343.60	C132T17FZ45	7 1/2-5.5	150	1671	267	810548.00	143THTN8037	1	61	1445	77
193344.60	C132T11FZ63	7 1/2-5.5	180	2305	267	811320.00	182THTS8051	3	110	1987	77
193345.60	C132T34FZ48	10-7.5	163	1784	267	811322.00	184THTS8058	5	118	2202	77
193346.60	C132T17FZ46	10-7.5	174	1955	267	811367.00	444THFN8389	100	2050	30531	78
193347.60	C160T11FZ41	10-7.5	251	3105	267	811369.00	444THFN8050	125	2000	27752	78
193348.60	C160T34FZ62	15-11	260	2942	267	811371.00	445THFN8334	150	2321	31487	78
193349.60	C160T17FZ45	15-11	264	2942	267	811516.00	449THFS328BE	250	3210	49380	78
193350.60	C160T11FZ42	15-11	330	3882	267	811529.00	449THFS8329	300	3410	62594	78
193351.60	C160T34FZ63	20-15	269	3173	267	811530.00	449THFS8330BE	350	3520	76351	78
193352.60	C160L17FZ46	20-15	311	3347	267	811541.00	143THTN9026	1	55	888	89
193353.60	C180T11FZ21	20-15	385	5090	267	811542.00	145THTN9005	1 1/2	58	1101	89
193354.60	C160T34FZ64	25-18.5	319	3815	267	811543.00	145THTN9026	1 1/2	65	1020	89
193355.60	C180T17FZ43	25-18.5	381	4260	267	811544.00	145THTN9001	2	68	1156	89
193356.60	C180T34FZ20	30-22	355	4561	267	811545.00	145THTN9027	2	68	1068	89
193357.60	C180T17FZ44	30-22	427	4732	267	811546.00	182THTS19005	3	105	1674	89
193358.60	C100T11FZ22	2-1.5	82	1022	268	811547.00	182THTS19041	3	100	1419	89
193359.60	C100T17FZ45	3-2.2	84	991	268	811548.00	184THFS19010	5	142	1798	89
193360.60	C112T11FZ23	3-2.2	84	1399	268	811549.00	184THFS19045	5	130	1657	89
193361.60	C100T34FZ22	4-3	71	1051	268	811550.00	213THTS19008	7 1/2	200	2123	89
193362.60	C100T17FZ46	4-3	84	1066	268	811551.00	213THFS19044	7 1/2	200	2010	89
193363.60	C132T11FZ64	4-3	154	1710	268	811552.00	215THFS19011	10	218	2482	89
193364.60	C112T34FZ26	5 1/2-4	104	1323	268	811553.00	215THFS19051	10	225	2434	89
193365.60	C112T17FZ23	5 1/2-4	104	1281	268	811554.00	254THFNA19014	15	345	3076	89
193366.60	C132T11FZ65	5 1/2-4	176	1949	268	811555.00	254THFNA19052	15	350	2924	89
193367.60	C132T34FZ49	7 1/2-5.5	152	1671	268	811556.00	256THFNA19004	20	375	3800	89
193368.60	C132T17FZ47	7 1/2-5.5	150	1671	268	811557.00	256THFNA19050	20	425	3636	89
193369.60	C132T11FZ66	7 1/2-5.5	180	2305	268	811558.00	284TSHFNA19009	25	481	4717	89
193370.60	C132T34FZ50	10-7.5	163	1784	268	811559.00	284TSHFNA19043	25	478	4309	89
193371.60	C132T17FZ48	10-7.5	174	1955	268	811560.00	286TSHFNA19002	30	500	5792	89
193372.60	C160T11FZ43	10-7.5	251	3105	268	811561.00	286THFNA19051	30	525	5249	89
193373.60	C160T34FZ65	15-11	260	2942	268	811562.00	324TSHFS19007	40	656	7691	89
193374.60	C160T17FZ47	15-11	264	2942	268	811563.00	324TSHFS19045	40	700	7186	89
193375.60	C160T11FZ44	15-11	330	3882	268	811564.00	326TSHFS19005	50	725	9911	89
193376.60	C160T34FZ66	20-15	269	3363	268	811565.00	326TSHFS19057	50	775	8605	89
193377.60	C160T17FZ48	20-15	311	3548	268	811566.00	364TSHFS19006	60	925	11920	89
193378.60	C160T34FZ67	25-18.5	319								

Leeson Catalog Number Index

Motors, Sub-FHP Gearmotors, Drives and Accessories

Catalog No.	Model Number	HP	Weight	List \$	Page #	Catalog No.	Model Number	HP	Weight	List \$	Page #
811569.00	365THFS19052	75	1100	14575	89	EXG120014.00		1	31	490	253
811570.00	405TSHFS19006	100	1295	20360	89	EXG120015.00		1 1/2	36	496	253
811571.00	405THFS19060	100	1330	17776	89	EXG120016.00		2	46	524	253
825071.00	184TTGN16537	5	130	1849	102	EXG120086.00		1 1/2	45	541	253
825072.00	213TTGN16507	7 1/2	143	2776	102	EXG120088.00		2	45	622	253
825073.00	213TTGN16526	7 1/2	143	2749	102	EXG120185.00		3	42	712	253
825074.00	215TTGN16505	10	160	2916	102	EXG120276.00		2	45	602	254
825075.00	215TTGN16526	10	160	2894	102	EXG121286.00		1	35	576	254
825076.00	254TTGN16507	15	245	3689	102	EXG121287.00		1 1/2	37	575	254
825077.00	254TTGN16540	15	246	4323	102	EXG130008.00		3	68	620	253
825078.00	256TTGN16513	20	271	4956	102	EXG130027.00		5	80	715	253
825079.00	256TTGN16543	20	273	4929	102	EXG130099.00		3	60	763	253
825080.00	284TSGN16506	25	373	5131	102	EXG130101.00		5	73	878	253
825081.00	284TTGN16540	25	375	5075	102	EXG130103.00		7 1/2	101	1004	253
825082.00	286TTGN16538	30	395	5766	102	EXG130326.00		3	68	747	254
825083.00	324TTGS1603	40	563	7494	102	EXG130328.00		5	81	857	254
825084.00	326TTGS16031	50	585	9223	102	EXG131082.00		7 1/2	91	978	253
825085.00	182TTGN16026	3	107	1644	103	EXG140147.00		10	162	1201	254
825086.00	184TTGN16504	5	117	1733	103	EXG140183.00		7 1/2	153	1026	254
825087.00	184TTGN16032	5	161	1703	103	EXG140489.00		10	167	1037	253
825088.00	213TTGN16527	7 1/2	183	2658	103	EXG140578.00		7 1/2	144	957	253
825089.00	213TTGN16527	7 1/2	228	2628	103	EXG140686.00		10	126	1287	253
825090.00	215TTGN16504	10	200	2789	103	EXG140687.00		15	140	1615	253
825091.00	215TTGN16526	10	273	2776	103	EXG150007.60		20	321	2152	253
825092.00	254TTGN16506	15	333	3761	103	EXG150011.60		25	370	2532	253
825093.00	254TTGN16539	15	383	3745	103	EXG150015.60		30	428	3080	253
825094.00	256TTGS16514	20	383	3941	103	EXG150019.60		40	528	3976	253
825095.00	256TTGN16539	20	420	3911	103	EXG150023.60		50	561	4902	253
825096.00	284TSGN16505	25	413	5085	103	EXG150027.60		60	687	7158	253
825097.00	284TTGN16538	25	374	4567	103	EXG150031.60		75	723	8264	253
825098.00	286TSTN16504	30	464	5188	103	EXG150033.60		20	296	2310	253
825099.00	286TTGN16033	30	464	5146	103	EXG150035.60		25	349	2791	253
825100.00	324TTGS16002	40	515	7176	103	EXG150062.60		15	260	1699	253
825101.00	324TTGS16037	40	535	6912	103	EXG150066.60		15	284	1749	253
825102.00	326TSTGS16503	50	585	9027	103	EXG150080.60		20	321	2236	254
825103.00	326TTGS16540	50	585	8969	103	EXG150081.60		25	387	2883	254
825104.00	364TSTGS16504	60	890	12897	103	EXG150082.60		30	433	3188	254
825105.00	364TTGS16035	60	992	12349	103	EXG150083.60		40	572	4351	254
825106.00	365TSTGS16507	75	1025	14904	103	EXG150084.60		50	631	5043	254
825107.00	365TTGS16541	75	1053	14712	103	EXG150085.60		60	699	7607	254
825108.00	405TSTGS16002	100	1168	20161	103	EXG150086.60		75	757	9648	254
825109.00	405TTGS16034	100	1322	17927	103	EXG150087.60		100	1050	11102	253
825110.00	444TSGN16503	125	1768	27831	103	EXG150102.60		15	268	1832	254
825111.00	444TTGN16032	125	1822	23385	103	EXG150140.60		10	176	1109	253
825112.00	445TSGN16002	150	2072	32575	103	EXG150157.60		7 1/2	153	985	253
825113.00	445TTGN16035	150	2072	27255	103	EXG150158.60		7 1/2	150	1092	253
825114.00	445TSGN16003	200	2332	39751	103	EXG150159.60		1	167	1270	253
825115.00	445TTGN16036	200	2275	32213	103	EXG150165.60		7 1/2	156	1085	254
825125.00	182TTGN16508	3	95	1733	102	EXG150167.60		10	178	1277	254
825126.00	182TTGN16529	3	96	1733	102	EXG150299.60		5	100	827	253
825127.00	184TTGN16503	5	130	1849	102	EXG150352.60		200	2053	21083	253
900282.01			1	48	341	EXG151317.60		15	168	1697	253
6439191250	6439191250	1/2	23	415	239	EXG151318.60		25	307	2722	253
6439191251	6439191251	3/4	26	449	239	EXG151320.60		3	94	799	253
6439191252	6439191252	1	33	489	239	EXG151322.60		5	101	848	253
6439191253	6439191253	1 1/2	47	570	239	EXG151369.60		125	1920	14739	253
6439191260	6439191260	1/2	22	403	239	EXG151371.60		150	1900	16538	253
6439191261	6439191261	3/4	24	438	239	EXG151563.60		3	93	819	253
6439191262	6439191262	1	32	477	239	EXG151565.60		3	94	866	254
6439191263	6439191263	1 1/2	46	557	239	EXG151566.60		5	101	950	254
6439191264	6439191264	2	48	628	239	EXG151680.60		100	1100	12068	254
1175764.00		10	10	893	261	EXG151696.60		1	49	526	253
100704.00*	M4P17DC7	1/2	16	542	238	EXG151698.60		1 1/2	45	581	253
E175921.00		3	3	2059	79	EXG151702.60		1 1/2	53	531	253
E175922.00		3	3	2059	79	EXG151703.60		2	56	564	253
E175923.00		3	3	2059	79	EXG151704.60		2	49	667	253
E175924.00		3	3	2059	79	G120024.00	C143T17FC23	1	34	579	66
E175925.00		3	3	2059	79	G120032.00	C145T17FB88	1 1/2	35	553	222
E175927.00		3	3	3206	79	G120034.00	C145T17FB89	2	38	585	222
E175928.00		3	3	2059	79	G120035.00	C145T17DC41	2	39	616	60
E175929.00		3	3	2059	79	G120037.00	C145T17FC62	1 1/2	36	604	66
E175930.00		3	3	2059	79	G120038.00	C145T17FC105	2	44	621	66
E175931.00		3	3	2059	79	G120047.00	C143T17FB28	1	32	545	222
ECB175926.00		3	3	229	79	G120061.00	C145T34FC38	2	44	686	66
EX120024.00		1	26	476	254	G120081.00	C145T17DC42	1 1/2	37	571	59
EX120037.00		1 1/2	32	489	254	G120082.00	C145T11DC5	1	35	735	59
EX120038.00		2	35	524	254	G120098.00	C145T11FC9	1	35	718	66
EX121035.00		3	44	694	254	G120105.00	C143T34FC18	1 1/2	27	622	66
EX131491.00		3	52	665	254	G120172.00	C143T17DC13	1	30	533	59
EX131492.00		5	64	762	254	G120176.00	C143T17FC22	1	32	535	213
EX131528.00		7 1/2	102	979	254	G120177.00	C145T17FC61	1 1/2	31	580	213
EX131606.00		7 1/2	66	979	254	G120178.00	C145T17FC60	2	45	618	213
EX140109.00		10	141	1173	254	G120329.00	C145T17FB72	1 1/2	44	1514	258
EX151346.60		7 1/2	162	1060	254	G120330.00	C145T17FB73	2	53	1550	258
EX151348.60		10	185	1249	254	G120370.00	C145T17DB64	11/2	44	1382	257
EX151350.60		15	284	1773	254	G120371.00	C145T17DB65	2	45	1568	257
EX151352.60		20	270	2236	254	G120762.00	C145T17WC27	2	47	1057	134
EX151507.60		25	390	2817	254	G120987.00	C145T34WC15	3	44	1248	134
EX151508.60		30	411	3386	254	G120993.00	C145T34FC39	3	60	776	67
EX151509.60		40	548	4332	254	G121050.00	C145T11FB18	1	45	1925	258
EX151510.60		50	594	4998	254	G121051.00	C145T17FK41	1 1/2	45	1586	259
EX151516.60		250	2425	25212	253	G121052.00	C145T17FK42	2	59	1633	259
EX151519.60		60	778	7511	254	G121053.00	C145T17DK15	11/2	42	1430	258
EX151529.60		300	2558	28356	253	G121054.00	C145T17DK14	2	51	1608	258
EX151530.60		350	2710	29547	253	G121178.00	A145T17XC4	2	55	1291	101



Leeson Catalog Number Index

Motors, Sub-FHP Gearmotors, Drives and Accessories

Catalog No.	Model Number	HP	Weight	List \$	Page #	Catalog No.	Model Number	HP	Weight	List \$	Page #
G121187.00	C145T34DC10	3	45	661	60	G131968.00	C184T34WK12	5	81	1899	137
G121350.00	CZ145T17WC29	1 1/2	45	991	153	G131969.00	C184T17WK17	5	95	1722	137
G121351.00	CZ145T17WC30	2	52	1125	153	G131970.00	C184T34WK13	7 1/2	110	2081	137
G121525.00	CZ145T17WC39	11/2	55	1466	161	G131996.00	C182T17WK16	3	85	2262	162
G121527.00	CZ145T17WC40	2	60	1778	161	G131997.00	C184T34WK14	5	90	2494	162
G121557.00	C143T17FK16	1	43	1416	259	G131998.00	C184T17WK18	5	96	2508	162
G121560.00	CZ143T34WC7	11/2	52	1439	161	G132027.00	C184T34FK41	7 1/2	121	1348	122
G121561.00	CZ145T34WC20	2	54	1765	161	G132059.00	C184T11DC5	2	81	788	60
G121562.00	CZ145T34WC21	3	55	2123	161	G132249.00	C182T11FC4	1 1/2	82	839	66
G121579.00	C143T17WK16	1	41	1094	137	G132250.00	C182T11DC4	1 1/2	60	768	59
G121580.00	C143T34WK9	1 1/2	33	1181	137	G140004.00	C215T17DB33	10	138	1162	221
G121581.00	C145T17WK38	1 1/2	47	1212	137	G140013.00	C215T17FB29	10	168	1223	223
G121582.00	C145T34WK22	2	50	1334	137	G140108.00	C215T17DC8	10	132	1237	60
G121583.00	C145T17WK39	2	49	1251	137	G140109.00	C215T17FC10	10	158	1272	67
G121584.00	C145T34WK23	3	54	1431	137	G140465.00	C215T17WC3	10	180	2264	134
G121617.00	C145T17WK22	11/2	50	2313	138, 260	G140467.00	C213T17WC3	7 1/2	145	1992	134
G121618.00	C145T17WK21	2	62	2399	138, 260	G140516.00	C213T8FB3	2	114	2114	45
G121626.00	CZ143T17WK18	1	55	1496	162	G140535.00	C215T11FC3	5	142	1500	67
G121627.00	CZ143T34WK11	11/2	55	1497	162	G140580.00	C213T17DC11	7 1/2	144	1005	60
G121628.00	CZ145T17WK45	11/2	56	1527	162	G140601.00	C213T11FB2	3	147	3839	258
G121629.00	CZ145T34WK24	2	56	1778	162	G140603.00	C213T17FB11	7 1/2	162	3377	258
G121630.00	CZ145T17WK46	2	57	1797	162	G140605.00	C213T17FK10	7 1/2	163	3537	259
G121631.00	CZ145T34WK25	3	57	2138	162	G140610.00	C213T17DK5	7 1/2	115	3162	258
G121652.00	C143T17WC8	1	33	819	134	G140611.00	C213T17DB7	7 1/2	130	2975	257
G121655.00	C145T17WC28	11/2	45	855	134	G140618.00	C213T17DK13	7 1/2	147	1187	121
G121659.00	CZ143T17WC13	1	51	1438	161	G140619.00	C215T17DK11	10	135	1357	121
G121664.00	C145T34DC11	5	47	698	60	G140622.00	C213T17FK23	7 1/2	127	1423	122
G121668.00	C143T34DC5	1 1/2	35	572	59	G140623.00	C215T17FK18	10	145	1755	122
G121670.00	C145T34DC12	2	45	642	60	G140635.00	C215T17DB23	10	138	3767	257
G121679.00	C143T17FB22	1	40	1350	258	G140636.00	C215T17FB25	10	174	3874	258
G121739.00	CZ145T34WK10	2	56	1959	168	G140638.00	C215T17DK4	10	125	3953	258
G121740.00	CZ145T17WK25	2	57	1981	168	G140639.00	C215T17FK6	10	175	4541	259
G121748.00	CZ143T34WK4	11/2	54	1697	168	G140655.00	C213T34DK2	10	140	1322	119
G121749.00	CZ143T17WK8	11/2	56	1690	168	G140656.00	C215T34DK2	15	147	1635	119
G121846.00	C145T17DK16	11/2	38	545	119	G140667.00	C213T17DK14	7 1/2	146	1404	119
G121847.00	C145T17DK17	2	46	568	119	G140668.00	C215T17DK12	10	134	1604	119
G121849.00	C145T34DK12	3	46	715	119	G140688.00	213T34DC1	10	138	1219	60
G121850.00	C143T17DK3	1	44	556	121	G140689.00	215T34DC2	15	145	1689	60
G121851.00	C145T17DK18	1 1/2	44	602	121	G140690.00	C215T34FC4	10	112	1408	67
G121852.00	C145T17DK19	2	48	625	121	G140691.00	C215T34FC5	15	158	1891	68
G121853.00	C145T34DK13	2	44	696	121	G140733.00	C213T17WK13	7 1/2	135	2322	137
G121854.00	C145T34DK14	3	45	771	121	G140734.00	C215T34WK5	10	142	2861	137
G121855.00	C143T17FK19	1	35	618	122	G140735.00	C215T17WK12	10	150	2702	137
G121856.00	C145T17FK53	11/2	46	676	122	G140736.00	C215T34WK6	15	160	3270	137
G121857.00	C145T17FK54	2	50	672	122	G140737.00	C215T34WC2	10	170	2566	134
G121858.00	C143T34FK14	11/2	37	623	122	G140738.00	C215T34WC4	10	140	3159	134
G121859.00	C145T34FK37	2	38	765	122	G140740.00	C213T34WK5	7 1/2	160	3799	162
G121860.00	C145T34FK38	3	49	811	122	G140741.00	C213T17WK14	7 1/2	162	3882	162
G131465.00	C182T17FB51	3	82	682	222	G140742.00	C215T34WK12	10	165	3932	162
G131466.00	C184T17FB63	5	63	787	222	G140743.00	C215T17WK13	10	173	4003	162
G131478.00	C182T8FB9	1	57	1288	44	G140764.00	C215T34FK10	15	139	1955	122
G131479.00	C184T8FB6	1 1/2	68	1530	44	G140765.00	C213T11DC5	3	140	1038	60
G131489.00	C182T17DC28	3	57	722	60	G141113.00	C213T17FC9	7 1/2	144	1101	67
G131490.00	C184T17DC27	5	69	759	60	G141114.00	C213T11FC1	3	133	1300	67
G131491.00	C182T17FC35	3	67	770	67	G141121.00	C213T34DK5	10	130	1319	121
G131492.00	C184T17FC46	5	80	887	67	G141122.00	C213T34FK2	7 1/2	130	1630	122
G131498.00	C182T17FC36	3	68	711	213	G141123.00	C213T17FB19	7 1/2	144	1006	223
G131499.00	C184T17FC47	5	76	858	213	G141124.00	C213T17DB15	7 1/2	133	950	221
G131500.00	C184T17DB78	5	62	667	221	G150261.22	G150261.22	15	480	5614	47
G131510.00	C184T34FC22	7 1/2	90	1115	67	G150263.22	C324T8FB3	20	640	6751	47
G131513.00	C182T34FC6	3	55	856	67	G150265.22	C326T8FB2	25	700	7872	48
G131514.00	C184T34FC23	5	79	908	67	G150282.22	C284T8FB2	10	346	4752	47
G131525.00	C184T11FC10	2	75	914	66	G151345.60	C213T34FC43	7 1/2	150	1224	67
G131558.00	C182T17DK14	3	84	2227	258	G151346.60	C213T17FC42	7 1/2	153	1151	67
G131559.00	C184T17DK21	5	97	2713	258	G151347.60	C215T34FC43	10	160	1437	67
G131562.00	C182T17DK19	3	64	825	121	G151348.60	C215T17FC42	10	173	1354	67
G131563.00	C184T17DK28	5	71	951	121	G151349.60	C215T34FC44	15	240	2005	68
G131574.00	C182T34DK12	5	66	1016	121	G151350.60	C254T17FC5	15	262	1942	68
G131576.00	C184T34DK18	7 1/2	108	1116	121	G151351.60	C256T34FC5	20	252	2546	68
G131579.00	C182T17FK26	3	75	823	122	G151352.60	C256T17FC4	20	315	2390	68
G131580.00	C184T34FK39	5	82	1101	122	G151355.22	C254T8FB5	5	188	3407	46
G131581.00	C184T17FK33	5	97	1071	122	G151356.22	C256T8FB42	7 1/2	300	3702	46
G131582.00	C184T34FK40	7 1/2	104	1221	122	G151361.60	C254T17DK7	15	268	2040	121
G131594.00	C184T34WC6	7 1/2	102	2160	134	G151362.60	C256T17DK5	20	310	2148	121
G131595.00	C184T34WC7	5	75	1742	134	G151380.60	C215T34DK9	15	175	1891	121
G131596.00	C182T17WC9	3	81	1392	134	G151381.60	C254T34DK5	20	261	2057	121
G131597.00	C184T17WC8	5	95	1571	134	G151382.60	C256T34DK5	25	295	2572	121
G131613.00	C182T17FB43	3	78	2116	258	G151417.60	C256T34FK8	25	311	3082	122
G131614.00	C184T17FB52	5	102	2624	258	G151418.60	C284T17FK6	25	373	3030	122
G131617.00	C182T17FK17	3	79	2218	259	G151420.60	C284T34FK12	30	378	3656	122
G131618.00	C184T17FK19	5	117	2771	259	G151422.60	C286T17FK11	30	431	3597	122
G131620.00	C184T11FB16	2	80	2587	258	G151424.60	C286T34FK16	40	499	4557	122
G131626.00	C182T17DB46	3	65	1936	257	G151426.60	C324T17FK12	40	531	4413	122
G131627.00	C184T17DB63	5	95	2434	257	G151507.60	C284T17FC5	25	355	3048	68
G131779.00	C182T34DC11	5	64	732	60	G151508.60	C286T17FC5	30	422	3637	68
G131780.00	C184T34DC9	7 1/2	78	1069	60	G151509.60	C324T17FC5	40	562	4643	68
G131882.00	C182T17DK20	3	58	743	119	G151510.60	C326T17FC5	50	620	5375	68
G131883.00	C184T17DK29	5	70	853	119	G151516.60	C449T17FB3	250	2425	26952	51
G131884.00	C182T34DK13	5	65	858	119	G151518.60	N445T17DB9	350	2041	21745	38
G131885.00	C184T34DK19	7 1/2	80	1028	119	G151519.60	C364T17FC10	60	689	8104	68
G131912.00	C184T34FC24	7 1/2	91	1145	67	G151524.60	C445T17DB10	250	1940	17175	38
G131923.00	C182T17WC10	3	88	2139	161	G151525.60	C445T17DB11	300	1962	19703	38
G131924.00	C184T17WC9	5	102	2441	161	G151529.60	C449T17FB9	300	2558	30313	52
G131949.00	C184T34WC8	5	98	2424	161	G151530.60	C449T17FB10	350	2710	31586	52
G131967.00	C182T17WK15	3	79	1591	137	G151540.60	C254T17DB12	15	265	1548	175, 201



DC Motors

Gearmotors

Ac / DC Controls

Accessories / Kits

Motors / Factory Options

X-Ref / Index

Tech Information

Terms / Warnings

Other Products

Leeson Catalog Number Index

Motors, Sub-FHP Gearmotors, Drives and Accessories

Catalog No.	Model Number	HP	Weight	List \$	Page #	Catalog No.	Model Number	HP	Weight	List \$	Page #
G151541.60	C256T17DB7	20	307	1925	175	LM03189	SB4H25T61Q15	25	350	7249	81
G151541.60	C256T17DB7	20	307	1925	201	LM03204	SB6H25T61Q10	25	490	11369	78
G151542.60	C286T17DB12	30	434	2681	175,201	LM03205	SB6H25T61Q15	25	490	13043	81
G151567.60	C254T34FK11	15	171	2281	122	LM03236	SB4H30T61Q10	30	420	6410	78
G151568.60	A254T17FK12	15	287	2219	122	LM03237	SB4H30T61Q15	30	420	8082	81
G151569.60	C254T34FK12	20	299	2489	122	LM03252	SB6H30T61Q10	30	550	12636	78
G151570.60	C256T17FK5	20	324	2692	122	LM03253	SB6H30T61Q15	30	550	14309	81
G151682.60	C254T17DC3	15	265	1811	60	LM03284	SB4H40T61Q10	40	420	8635	78
G151683.60	C254T34DC3	20	258	2149	60	LM03285	SB4H40T61Q15	40	550	10308	81
G151684.60	C256T17DC5	20	307	2213	60	LM03300	SB6H40T61YQ10	40	670	15127	78
G151685.60	C256T34DC2	25	292	2499	60	LM03301	SB6H40T61Q15	40	670	16798	81
G151686.60	C256T34DC2	25	388	2698	60	LM03332	SB4H50T61Q10	50	490	9697	78
G151687.60	C283T34DC3	30	373	2914	60	LM03333	SB4H50T61Q15	50	550	11371	81
G151736.60	C145T17FK60	1 1/2	54	571	123	LM03348	SB6H50T61YQ10	50	740	18496	78
G151737.60	C145T17FK61	2	57	589	123	LM03349	SB6H50T61YQ15	50	740	20167	81
G151738.60	C182T34FK12	3	91	1071	123	LM03376	SB4H60T61Q10	60	670	11372	78
G151739.60	C182T17FK24	3	95	982	123	LM03377	SB4H60T61YQ15	60	690	13046	81
G151740.60	C184T34FK35	5	103	1099	123	LM03396	SB6H60T61Q10	60	880	19417	78
G151741.60	C184T17FK31	5	103	1086	123	LM03397	SB6H60T61YQ15	60	1000	21092	81
G151742.60	C184T34FK38	7 1/2	156	1322	123	LM03424	SB4H75T61YQ10	75	740	13402	78
G151743.60	C213T17FK17	7 1/2	158	1242	123	LM03425	SB4P75T61YQ15	75	740	15077	81
G151744.60	C213T34FK4	10	166	1541	123	LM03444	SB6H75T61YQ10	75	1000	24439	78
G151745.60	C215T17FK13	10	179	1499	123	LM03445	SB6H75T61YQ15	75	1000	26114	81
G151746.60	C215T34FK14	15	249	2159	123	LM03472	SB4H100T61YQ10	100	1000	20265	78
G151747.60	C254T17FK10	15	281	2292	123	LM03473	SB4H100T61YQ15	100	1000	21937	81
G151748.60	C254T34FK10	20	260	2860	123	LM03490	SB6H100T64YQ10	100	1290	25873	78
G151749.60	C256T17FK10	20	324	2709	123	LM03491	SB6H100T64YQ15	100	1290	27548	81
G151750.60	C256T34FK7	25	366	3412	123	LM03517	SB4H125T64YQ15	125	1290	28618	81
G151751.60	C284T17FK8	25	391	3426	123	LM03536	SB6H125T64YQ10	125	1780	32979	78
G151752.60	C286T34FK7	30	380	3715	123	LM03537	SB6H125T64YQ15	125	1480	34654	81
G151753.60	C286T17FK7	30	438	3599	123	LM03564	SB4H150T64YQ10	150	1480	32117	78
G151754.60	C324T34FK9	40	580	4700	123	LM03565	SB4H150T64YQ15	150	1490	33792	81
G151755.60	C324T17FK8	40	583	4479	123	LM03596	SB4H200T64YQ10	200	3000	33961	78
G151756.60	C326T34FK7	50	610	5782	123	LM03597	SB4H200T64YQ15	200	1500	35631	81
G151809.22	C215T8FB1	3	171	3300	45	LM03516	SB4H125T64YQ10	125	1290	26947	78
G151828.60	C215T17DB54	10	168	1052	175	LM03614	MD6S15T61	15	280	3312	93
G151829.60	C284T17DB11	25	388	2105	175,201	LM03615	MD6S15TSC61	15	287	3515	95
G191214.00	143T17WC12	1	47	916	157	LM03616	MD6S15TC61	15	287	3515	95
G191220.00	C145T17WC37	11/2	48	956	157	LM03618	MD4S25T61	25	296	3384	93
G191226.00	145T17WC38	2	52	1090	157	LM03619	MD4S25TSC61	25	303	3442	95
G801028.00	284TDDP14049	25	391	3188	121	LM03623	MD4S25TC61	25	303	3442	95
G801029.00	286TDDP14053	30	437	3344	121	LM03624	MD4S25TCTMC61	25	310	4055	96
G801030.00	324TDDP14055	40	531	4368	121	LM03625	MD4S25TSC61	25	310	3898	96
G801040.00	284TDDP14013	30	376	3225	121	LM03627	MD2S30T61	30	306	4026	93
G801041.00	286TDDP14011	40	429	3702	121	LM03628	MD2S30T61	30	306	4026	93
G801042.00	324TDDP14013	50	514	5031	121	LM03631	MD6S20T61	20	328	3657	93
G801051.00	254TDX14067	15	170	1983	119	LM03632	MD6S20TSC61	20	335	3859	95
G801052.00	256TDX14054	20	222	2396	119	LM03633	MD6S20TC61	20	335	3859	95
G801053.00	284TDDP14048	25	332	3222	119	LM03634	MD6S20TSC61	20	342	4316	96
G801054.00	286TDDP14052	30	342	3344	119	LM03636	MD4S30T61	30	334	3564	93
G801056.00	254TDX14305	20	175	2060	119	LM03637	MD4S30T61	30	334	3564	93
G801057.00	256TDX14019	25	181	2427	119	LM03639	MD4S30TSC61	30	343	3495	95
G801058.00	284TDDP14012	30	336	3234	119	LM03643	MD4S30TC61	30	343	3495	95
G801059.00	286TDDP14012	40	385	3564	119	LM03644	MD4S30TCTMC61	30	348	4225	96
G801060.00	324TDDP14014	50	472	4735	119	LM03645	MD4S30TSC61	30	348	4225	96
G825071.00	449TSGS14004	250	2490	39883	103	LM03650	MD2S40T61	40	350	4644	93
G825072.00	449TSGS14041	250	2625	32957	103	LM03651	MD2S40T61	40	350	4644	93
G825116.00	182TGS14057	3	96	1680	101	LM03665	MD6S25T61	25	422	4804	93
G825128.00	184TGN14030	5	116	1925	101	LM03666	MD6S25TC61	25	432	5144	95
G825188.00	213TGN14005	7 1/2	241	2700	101	LM03667	MD6S25TCTMC61	25	442	5548	96
G825190.00	184TGN4013	5	133	1797	101	LM03668	MD6S25TSC61	25	442	5548	96
G825192.00	213TGN4050	7 1/2	194	2671	101	LM03669	MD4S40T61	40	420	4660	93
G825193.00	215TGN4031	10	271	2834	101	LM03670	MD4S40T61	40	420	4660	93
G825194.00	215TGN4051	10	216	2813	101	LM03671	MD4S40TSC61	40	439	5000	95
G825195.00	254TGP14014	15	301	3586	101	LM03673	MD4S40TC61	40	439	5000	95
G825196.00	T254T17XC1	15	370	4202	101	LM03674	MD4S40TCTMC61	40	440	5405	96
G825197.00	256TGN14013	20	340	4817	101	LM03675	MD4S40TSC61	40	440	5405	96
G825198.00	256TGN14046	20	315	4791	101	LM03681	MD2S50T61	50	425	5576	93
LM02005	SF4P0T62	40	479	4048	223	LM03682	MD2S50T61	50	425	5576	93
LM02010	SF4P50T62	50	532	4593	223	LM03683	MD4S50T61	50	476	4952	93
LM02159	SF2P50T62	50	479	5322	223	LM03684	MD4S50T61	50	476	4952	93
LM02323	SF2P40T62	40	396	4295	223	LM03685	MD4S50TSC61	50	486	5290	95
LM02386	SF4P60T62	60	724	6373	223	LM03686	MD4S50TC61	50	486	5290	95
LM02394	SF4P75T62	75	775	7054	223	LM03687	MD4S50TCTMC61	50	496	5697	96
LM02444	SF4P100T62	100	898	9545	223	LM03691	MD2S60T61	60	484	6441	94
LM02460	SF6P50T62	50	775	6946	223	LM03692	MD2S60T61	60	484	6441	94
LM02578	SF6P40T62	40	724	7712	223	LM03703	MD6S40T61	40	655	9587	93
LM02579	SF2P60T62	60	532	7712	223	LM03705	MD6S40TC61	40	667	7990	95
LM02676	SRF450.5T62	1/3	28	378	222	LM03706	MD6S40TCTMC61	40	679	7596	96
LM02679	SRF650.5T62	1/2	28	586	222	LM03707	MD6S40TSC61	40	679	7596	96
LM02682	SRF450.5T62	1/2	28	463	222	LM03708	MD4S60T61	60	627	6730	94
LM02688	SRF650.75T62	3/4	28	598	222	LM03709	MD4S60T61	60	627	6730	94
LM02691	SRF450.75T62	3/4	30	475	222	LM03711	MD4S60TC61	60	639	7720	95
LM02694	SRF250.75T62	3/4	28	475	222	LM03713	MD4S60TSC61	60	639	7720	95
LM02697	SRF6S1T62	1	36	606	222	LM03714	MD4S60TCTMC61	60	651	7855	96
LM02700	SRF4S1T62	1	28	495	222	LM03715	MD4S60TSC61	60	651	7856	96
LM02703	SRF2S1T62	1	28	475	222	LM03718	MD2S75T61	75	644	9814	94
LM02706	SRF4S1.5T62	1 1/2	72	520	222	LM03719	MD2S75T61	75	644	9814	94
LM02712	SRF4S2T62	2	36	615	222	LM03720	MD6S50T61	50	690	7490	93
LM02715	SRF2S1T62	2	36	575	222	LM03724	MD6S50TC61	50	702	8714	95
LM02921	SF2P75T62	75	724	8387	223	LM03725	MD6S50TCTMC61	50	714	9751	96
LM03140	SB6H15T61Q10	15	350	8791	78	LM03726	MD6S50TSC61	50	714	9751	96
LM03156	SB6H20T61Q10	20	420	9893	78	LM03728	MD4S75T61	75	697	7152	94
LM03157	SB6H20T61Q15	20	420	11563	81	LM03729	MD4S75T61	75	707	7152	94
LM03188	SB4H25T61Q10	25	350	5577	78	LM03730	MD4S75TC61	75	709	8658	95



Leeson Catalog Number Index

Motors, Sub-FHP Gearmotors, Drives and Accessories

Catalog No.	Model Number	HP	Weight	List \$	Page #	Catalog No.	Model Number	HP	Weight	List \$	Page #
LM03733	MD4S75TSC61	75	709	8658	95	LM10349	SRN4S0.75TC61Q15	3/4	54	2231	80
LM03735	MD4S75TCTMC61	75	721	8276	96	LM10350	SRN4S1TC61Q15	1	54	3042	80
LM03736	MD4S75TSC61	75	721	8276	96	LM10636	MD6S15TS61	15	280	3312	93
LM03739	MD2S100TS61	100	712	9239	94	LM10637	MD6S20TS61	20	328	3656	93
LM03740	MD2S100T61	100	712	9239	94	LM10638	MD4S25TS61	25	296	3384	93
LM03752	MD6S100T64PY	100	1213	14432	94	LM10639	MD6S25TS61	25	422	4804	93
LM03753	MD6S100TS64PY	100	1213	14432	94	LM10640	MD6S30TS61	30	482	5262	93
LM03755	MD6S100TSC64PY	100	1234	15233	95	LM10641	MD6S40TS61	40	655	9587	93
LM03757	MD6S100TCTMC64PY	100	1234	16104	96	LM10642	MD6S50TS61	50	690	7490	93
LM03758	MD6S100TSC64PY	100	1234	16106	96	LM10643	MD6S60TS61	60	855	10454	94
LM03760	MD4S150TS64PY	150	1230	14268	94	LM10644	MD2S125T61	125	875	13193	94
LM03761	MD4S150T64PY	150	1230	14268	94	LM10645	MD6S125TS64PY	125	1377	16854	94
LM03763	MD4S150TSC64PY	150	1251	15069	95	LM10725	MD6S15TCTMC61	15	295	3972	96
LM03764	MD4S150TCTSC64PY	150	1272	15942	96	LM10726	MD6S15TCTSC61	15	295	3972	96
LM03768	MD6S125T64PY	125	1377	16854	94	LM10727	MD6S20TCTMC61	20	342	4316	96
LM03770	MD6S125TSC64PY	125	1398	17655	95	LM10730	MD6S30TCTMC61	30	502	6008	96
LM03771	MD6S125TCTSC64PY	125	1419	18527	96	LM10741	MD4S100TCTMC61	100	897	10715	96
LM03772	MD4S200TS64PY	200	1440	17412	94	LM10744	SE4S125TCTMC61	125	1004	12003	96
LM03773	MD4S200T64PY	200	1440	17412	94	LM10745	MD6S125TCTMC64PY	125	1419	18527	96
LM03776	MD4S200TSC64PY	200	1435	18214	95	LM10748	MD4S150TCTMC64PY	150	1272	15941	96
LM03777	MD4S200TCTSC64PY	200	1482	19086	96	LM10749	MD4S200TCTMC64PY	200	1482	19086	96
LM03779	MD4S250TS64PY	250	1500	18200	94	LM10750	MD4S250TCTMC64PY	250	1600	19874	96
LM03780	MD4S250T64PY	250	1500	18200	94	LM10751	MD4S250TCTSC64PY	250	1600	19874	96
LM03785	MD6S60T61	60	855	10454	94	LM12429			2	223	375
LM03787	MD6S60TCTMC61	60	887	11651	96	LM12430			2	672	375
LM03788	MD6S60TCTSC61	60	887	11651	96	LM12454			35	1085	375
LM03790	MD4S100TS61	100	865	9519	94	LM12463			40	1403	375
LM03791	MD4S100T61	100	865	9519	94	LM12479			40	1403	375
LM03792	MD4S100TC61	100	881	10169	95	LM13556	SF2P250TS64Y	250	1812	31733	51
LM03794	MD4S100TSC61	100	881	10164	95	LM13557	SF4P250T64Y	250	1812	27278	51
LM03795	MD4S100TCTSC61	100	897	10715	96	LM13559	SF2P300TS64Y	300	2185	38784	52
LM03797	MD2S125TS61	125	875	13193	94	LM13560	SF4P300T64Y	300	2185	28519	52
LM03799	MD6S75T61	75	948	10599	94	LM13562	SF2350TS64Y	350	2185	43013	52
LM03800	MD6S75TS61	75	948	10599	94	LM13563	SF4P350T64Y	350	2185	29538	52
LM03804	MD6S75TC61	75	964	11248	95	LM13564	SF2P400TS64Y	400	2185	52538	52
LM03805	MD6S75TCTMC61	75	980	11795	96	LM13565	SF4P400T64Y	400	2185	39066	52
LM03806	MD6S75TCTSC61	75	980	11796	96	LM13582	SF2P250TSC64Y	250	1833	32593	74
LM03808	MD4S125TS61	125	972	10808	94	LM13583	SF4P250TC64Y	250	1833	28177	74
LM03809	MD4S125T61	125	972	10808	94	LM13585	SF2P300TSC64Y	300	2206	39644	74
LM03810	MD4S125TC61	125	988	11455	95	LM13588	SF2P350TSC64Y	350	2206	43875	74
LM03812	MD4S125TSC61	125	988	11455	95	LM13590	SF2P400TSC64Y	400	2206	53397	74
LM03813	MD4S125TCTSC61	125	1004	12004	96	LM13591	SF4P400TC64Y	400	2206	39988	74
LM03815	MD2S150TS61	150	978	13271	94	LM13696	SF6B25T61Y	25	519	6864	48
LM03816	MD2S150T61	150	978	13271	94	LM13697	SF6B30T61Y	30	558	6901	48
LM03865	MD6S30T61	30	482	5262	93	LM13698	SF2B40TS61Y	40	504	7036	49
LM03866	MD6S30TCTSC61	30	502	6009	96	LM13699	SF4B40T61Y	40	504	7490	49
LM03973	AAN6S1TC61Q15	1	98	3725	80	LM13700	SF2B50TS61Y	50	558	7346	49
LM03975	AAN8S1TC61Q15	1	110	3654	80	LM13701	SF4B50T61Y	50	585	7012	49
LM03981	AAN6S1.5TC61Q15	1 1/2	110	3393	80	LM13702	SF6B100T64Y	100	1351	19723	50
LM03983	AN8S1.5TC61Q15	1 1/2	141	4431	80	LM13703	SF2B125TS64Y	125	1351	21148	50
LM03987	AAN4S2TC61Q15	2	98	3367	80	LM13704	SF4B125T64Y	125	1351	18241	50
LM03989	AN6S2TC61Q15	2	141	4017	80	LM13705	SF6B125T64Y	125	1531	23932	50
LM03991	AAN8S2TC61Q15	2	141	4777	80	LM13706	SF2B150TS64Y	150	1531	26176	51
LM03995	AAN4S3TC61Q15	3	110	3643	80	LM13707	SF4B150T64Y	150	1531	21158	51
LM03997	AN6S3TC61Q15	3	155	4796	80	LM13709	SF2B200TS64Y	200	1531	33170	51
LM03999	AN8S3TC61Q15	3	206	7175	80	LM13710	SF4B200T64Y	200	1531	26167	51
LM04003	AAN4S5TC61Q15	5	115	3929	80	LM13711	SF6B200T64Y	200	1812	32055	51
LM04005	AN6S5TC61Q15	5	220	6666	80	LM13712	SF2B250TS64Y	250	1812	40073	51
LM04007	AN8S5TC61Q15	5	239	8104	80	LM13713	SF4B250T64Y	250	1812	32944	51
LM04013	AN6S7.5TC61Q15	7 1/2	239	7401	80	LM13715	SF2B300TS64Y	300	2185	49885	52
LM05332	RD2S0.75T62	3/4	26	367	221	LM13716	SF4B300T64Y	300	2185	36064	52
LM05342	RD2S1T62	1	26	423	221	LM13719	SF6B350TS64Y	350	2185	54320	52
LM05345	RD6S0.75T62	3/4	26	555	221	LM13720	SF4B350T64Y	350	2185	44525	52
LM06103	AAN6S1TC61Q10	1	78	1567	77	LM13721	SF2B400TS64Y	400	2185	66339	52
LM06105	AAN8S1TC61Q10	1	100	1955	77	LM13722	SF4B400T64Y	400	2185	51201	52
LM06109	AAN6S1.5TC61Q10	1 1/2	90	1690	77	LM13723	SF6B25TC61Y	25	514	6576	72
LM06111	AN8S1.5TC61Q10	1 1/2	121	2731	77	LM13724	SF6B30TC61Y	30	568	7241	73
LM06113	AAN4S2TC61Q10	2	74	1669	77	LM13725	SF2B40TSC61Y	40	514	7519	73
LM06115	AN6S2TC61Q10	2	121	2313	77	LM13726	SF4B40TC61Y	40	514	7294	73
LM06117	AN8S2TC61Q10	2	121	3077	77	LM13727	SF2B50TSC61Y	50	568	7686	73
LM06119	AAN4S3TC61Q10	3	94	1941	77	LM13728	SF4B59TC61Y	50	568	7018	73
LM06121	AN5S3TC61Q10	3	135	3096	77	LM13729	SF6B100TC64Y	100	1372	20527	74
LM06123	AN8S3TC61Q10	3	186	5475	77	LM13730	SF2B125TSC64Y	125	1372	21951	74
LM06125	AN4S5TC61Q10	5	115	2227	77	LM13731	SF4B125TC64Y	125	1372	19183	74
LM06127	AN6S5TC61Q10	5	200	4966	77	LM13732	SF6B125TC64Y	125	1552	24733	74
LM06129	AN8S5TC61Q10	5	219	6400	77	LM13733	SF2B150TSC64Y	150	1552	27095	74
LM06131	AN4S7.5TC61Q10	7 1/2	115	2970	77	LM13733	SF6B125TC64Y	125	1552	27095	74
LM06133	AN6S7.5TC61Q10	7 1/2	219	5698	77	LM13734	SF4B150TC64Y	150	1552	22092	74
LM06135	AN4S10TC61Q10	10	263	3212	77	LM13735	SF6B150TC64Y	150	1552	28853	74
LM08476		2	203	375		LM13736	SF2B200TSC64Y	200	1552	33972	74
LM08478		2	203	375		LM13737	SF4B200TC64Y	200	1525	27128	74
LM08582		2	293	375		LM13739	SF8250TSC64Y	250	1833	40929	74
LM08664		5	293	375		LM13740	SF4B250TC64Y	250	1833	33805	74
LM08665		2	293	375		LM13742	SF2B300TSC64Y	300	2206	53282	74
LM08709		2	293	375		LM13743	SF4B300TC64Y	300	1833	36923	74
LM08720		2	334	375		LM13745	SF2B350TSC64Y	350	2206	55179	74
LM08738		2	334	375		LM13746	SF4B350TC64Y	350	2206	45383	74
LM08827		40	1006	375		LM13747	SF2B400TSC64Y	400	2206	67197	74
LM10336	SFR4S0.33TC61Q20	1/3	26	547	77	LM13748	SF4B400TC64Y	400	2206	52062	74
LM10338	SFR6S0.5TC61Q20	1/2	41	748	77	LM13761	SD2P250TS64Y	250	1438	21793	38
LM10339	SFR4S0.75TC61Q20	3/4	25	710	77	LM13762	SD4P250T64Y	250	1438	20100	38
LM10340	SFR4S1TC61Q20	1	62	1367	77	LM13764	SD2P300TS64Y	300	1745	25422	38
LM10346	SRN4S0.33TC61Q15	1/3	43	2065	80	LM13765	SD4P300T64Y	300	1745	21221	38
LM10347	SRN4S0.5TC61Q15	1/2	43	2157	80	LM13767	SD2P350TS64Y	350	1745	28776	38
LM10348	SRN6S0.5TC61Q15	1/2	43	2265	80	LM13768	SD4P350T64Y	350	1745	24420	38



DC Motors

Gearmotors

Ac / DC Controls

Accessories / Kits

Motors / Factory Options

X-Ref / Index

Tech Information

Terms / Warnings

Other Products

Leeson Catalog Number Index

Motors, Sub-FHP Gearmotors, Drives and Accessories

Catalog No.	Model Number	HP	Weight	List \$	Page #	Catalog No.	Model Number	HP	Weight	List \$	Page #
LM13770	SD2P400TS64Y	400	2112	32553	38	LM14556	SD4P40TC65Y	40	479	4517	220
LM13771	SD4P400T64Y	400	2112	30508	38	LM14559	SD4P50TC65Y	50	535	5059	220
LM13787	SD2P250TSC64Y	250	1459	22618	64	LM14561	SF2B40TSC65Y	40	514	6128	215
LM13788	SD4P250TC64Y	250	1449	20900	64	LM14562	SF4B40TC65Y	40	514	5904	215
LM13790	SD2P300TSC64Y	300	1766	26307	64	LM14563	SF6B25TC65Y	25	514	6578	215
LM13791	SD5B100TC64Y	100	1298	16055	63	LM14564	SF2B50TSC65Y	50	568	7685	215
LM13792	SD6B125C64Y	125	1459	17339	63	LM14565	SF4B50TC65Y	50	568	7018	215
LM13793	SD4B150TC64Y	150	1298	15057	63	LM14566	SF6B30TC65Y	30	568	7240	215
LM13794	SD6B150TC64Y	150	1459	20545	63	LM14642	CCS4P300T64Y	300	2572	34803	100
LM13795	SD8B200TSC64Y	200	1298	21255	64	LM14643	CCS4P250T64Y	250	2572	32477	100
LM13796	SD4B200TC64Y	200	1459	17448	64	LM14644	CCS4P400T64Y	400	2883	49127	100
LM13797	SD6B200TC64Y	200	1766	24274	64	LM14645	CCS4P350T64Y	350	2883	38525	100
LM13798	SD2B250TSC64Y	250	1459	28067	64	LM14751	SF4P250TS64Y	250	1812	27278	51
LM13799	SD4B250TC64Y	250	1459	26953	64	LM14808	SF2B60TS61Y	60	765	10683	49
LM13802	SD2P350TSC64Y	350	1766	29693	64	LM14809	SF4B60T61Y	60	765	9856	49
LM13803	SD4P350TC64Y	350	1766	25330	64	LM14810	SF2B75TS61Y	75	822	11592	50
LM13805	SD2P400TSC64Y	400	2133	32516	64	LM14811	SF4B75T61Y	75	822	11295	50
LM13806	SD4P400TC64Y	400	2133	31394	64	LM14812	SD2B75TS61Y	75	712	10466	37
LM13809	SD6B25T61Y	25	469	5031	36	LM14813	SD4B60T61Y	60	712	9518	36
LM13810	SD6B30T61Y	30	522	6990	36	LM14814	SD2B100TS61Y	100	763	10945	37
LM13811	SD4B40T61Y	40	469	5925	36	LM14815	SD4B75T61Y	75	763	9742	37
LM13812	SD2B50TS61Y	50	469	6392	36	LM15061	SD4P300T65Y	300	1745	21221	219
LM13813	SD4B50T61Y	50	522	6966	36	LM15078	SF2P125TS65Y	125	1351	16750	212
LM13814	SD2B60TS61Y	60	522	6481	36	LM15079	SF4P125T65Y	125	1351	15931	212
LM13815	SD6B100T64Y	100	1277	15227	37	LM15080	SF6P100T65Y	100	1351	15865	212
LM13816	SD6B125T64Y	125	1438	16509	37	LM15081	SF2P200TS65Y	200	1504	26270	212
LM13817	SD4B150T64Y	150	1277	15178	37	LM15082	SF4P200T65Y	200	1531	22854	212
LM13818	SD6B150T64Y	150	1438	20309	37	LM15083	SF6P150T65Y	150	1504	22212	212
LM13819	SD2B200TS64Y	200	1277	20436	37	LM15084	SF2P150TS65Y	150	1504	20730	212
LM13820	SD4B200T64Y	200	1438	18668	37	LM15085	SF4P150T65Y	150	1531	18479	212
LM13822	SD2B250TS64Y	250	1438	27250	38	LM15086	SF6P125T65Y	125	1504	18951	212
LM13823	SD4B250T64Y	250	1438	26140	38	LM15087	SF2P250TS65Y	250	1812	31733	213
LM13825	SD2B300TS64Y	300	1745	32102	38	LM15089	SF4P300T65Y	300	1800	28519	213
LM13826	SD4B300T64Y	300	1745	27056	38	LM15091	SF6P200T65Y	200	1812	25387	212
LM13828	SD2B350TS64Y	350	1745	36340	38	LM15092	SF4P250T65Y	250	1812	27278	213
LM13829	SD4B350T64Y	350	1745	33980	38	LM15093	SF2P400TS65Y	400	2185	52538	213
LM13831	SD2B400TS64Y	400	2112	42003	38	LM15094	SF4P400T65Y	400	2185	39066	213
LM13832	SD4B400T64Y	400	2112	40761	38	LM15096	SF2P350TS65Y	350	2185	43013	213
LM13836	SD6B30TC61Y	30	532	6232	63	LM15097	SF4P350T65Y	350	2185	31015	213
LM13837	SD4B40TC61Y	40	479	5099	63	LM15098	S449F2P300TS65Y	300	2185	38785	213
LM13838	SD2B50TSC61Y	50	479	6369	63	LM15099	SF6P250T65Y	250	2185	31733	213
LM13839	SD2P50TSC61Y	50	479	6755	63	LM15100	SD2P200TS65Y	200	1277	16342	219
LM13840	SD2B60TSC61Y	60	535	6707	63	LM15101	SD4P150T65Y	150	1277	12381	219
LM13841	SD6B250TC64Y	250	1766	32068	64	LM15103	SD2P250TS65Y	250	1438	21793	219
LM13842	SD8B300TSC64Y	300	1766	32986	64	LM15104	SD4P250T65Y	250	1438	20100	219
LM13843	SD4B300TC64Y	300	1766	27939	64	LM15106	SD4P200T65Y	200	1449	14497	219
LM13845	SD2B350TSC61Y	350	1766	37250	64	LM15108	SD2P350TS65Y	350	1745	27965	219
LM13846	SD4B350TSC61Y	350	1766	34890	64	LM15109	SD4P350T65Y	350	1745	24420	219
LM13848	SD2B400TSC64Y	400	2133	41702	64	LM15111	SD2P300TS65Y	300	1745	25422	219
LM13849	SD4B400TC64Y	400	2133	40492	64	LM15116	SD2P400TS65Y	400	2112	31631	219
LM13918	SF6B40T61Y	40	765	9359	49	LM15117	SD4P400T65Y	400	2112	30508	219
LM13921	SF6B50T61Y	50	822	10118	49	LM15119	SF2B125TS65Y	125	1351	21148	212
LM13924	SD8A0T61Y	40	712	7998	36	LM15120	SF4B125T65Y	125	1351	19587	212
LM13927	SD6B50T61Y	50	763	9029	36	LM15121	SF6B100T65Y	100	1351	19723	212
LM13938	SF6B60T61Y	60	918	11890	49	LM15122	SF2B200TS65Y	200	1531	33170	212
LM13939	SF2B100TS61Y	100	1002	16494	50	LM15123	SF4B200T65Y	200	1531	27606	212
LM13940	SF4B100T61Y	100	1052	13646	50	LM15124	SF6B150T65Y	150	1531	28048	212
LM13941	SF6B75T61Y	75	1002	15433	50	LM15125	SF2B150TS65Y	150	1531	26176	212
LM13942	SD2B125TS61Y	125	882	12474	37	LM15126	SF4B150T65Y	150	1531	22932	212
LM13943	SD4B100T61Y	100	882	10004	37	LM15127	SF6B125T65Y	125	1531	23932	212
LM13944	SD6B60T61Y	60	882	10359	36	LM15128	SF2B250TS65Y	250	1812	40073	213
LM13945	SD2B150TS61Y	150	958	16674	37	LM15129	SF4B300T65Y	300	1812	36064	213
LM13946	SD4B125T61Y	125	958	10303	37	LM15130	SF4B250T65Y	250	1812	32944	213
LM13947	SD6B75T61Y	75	958	13282	37	LM15131	SF6B200T65Y	200	1812	32055	212
LM13960	AF2B25TS61Y	25	385	4376	48	LM15132	SF2B400TS65Y	400	2185	66339	213
LM13961	AF4B25T61Y	25	495	3713	48	LM15133	SF4B400T65Y	400	2185	51201	213
LM13962	AF6B15T61Y	15	363	4166	47	LM15135	SF2B350TS65Y	350	2185	54320	213
LM13963	AF2B30TS61Y	30	602	4766	48	LM15136	SF4B350T65Y	350	2185	44525	213
LM13964	AF4B30T61Y	30	426	4263	48	LM15137	SF6B250T65Y	250	2185	40062	213
LM13965	AF6B20T61Y	20	485	4916	47	LM15138	S449F2B300TS65Y	300	2185	49885	213
LM13966	SD2B30TS61Y	30	348	5973	36	LM15159	SD4P350T64Y	350	1745	24420	38
LM13969	SD2B40TS61Y	40	389	6328	36	LM15263	SF4B100TC61Y	100	1018	14407	74
LM14395	SF2P40TS65Y	40	504	5005	211	LM15308	SF4P300TC64Y	300	1833	29442	74
LM14396	SF4P40T65Y	40	504	4813	211	LM15312	SD4P300TC64Y	300	1766	22097	64
LM14397	SF6P25T65Y	25	504	5352	211	LM15400	SF4P350TC64Y	350	2206	30460	74
LM14398	SF2P50TS65Y	50	558	6352	211	LM15466	SD4P250TS64Y	250	1438	20100	38
LM14399	SF4P50T65Y	50	558	5405	211	LM15562	SF2B60TSC61Y	60	777	10257	73
LM14400	SF6P30T65Y	30	570	6306	211	LM15563	SF4B60TC61Y	60	777	9592	73
LM14401	SD2P50TS65Y	50	469	5677	218	LM15565	SF6B40TC61Y	40	777	9553	73
LM14402	SD4P40T65Y	40	469	4170	218	LM15566	SF2B75TSC61Y	75	834	12284	73
LM14404	SD2P60TS65Y	60	522	5903	219	LM15567	SF4B75TC61Y	75	834	11919	73
LM14405	SD4P50T65Y	50	522	4710	218	LM15568	SF6B50TC61Y	50	834	10664	73
LM14407	SF2B40TS65Y	40	504	5788	211	LM15569	SD2B75TSC61Y	75	724	10095	63
LM14408	SF4B40T65Y	40	504	5565	211	LM15570	SD4B60TC61Y	60	724	9454	63
LM14409	SF6B25T65Y	25	504	6237	211	LM15571	SD6B40TC61Y	40	724	8641	63
LM14410	SF2B50TS65Y	50	558	7346	211	LM15572	SD2B100TSC61Y	100	775	11507	63
LM14411	SF4B50T65Y	50	558	6678	211	LM15573	SD4B75TSC61Y	75	775	9675	63
LM14412	SF6B30T65Y	30	558	6901	211	LM15574	SD6B50TC61Y	50	775	9681	63
LM14535	SD6B25TC61Y	25	479	5429	63	LM15599	SD2P40TS65Y	40	389	4164	218
LM14549	SF2P40TSC65Y	40	514	5344	215	LM15646	AAF2B3T61	3	83	1283	45
LM14550	SF4P40TC65Y	40	518	5155	215	LM15647	AAF4B3T61	3	83	928	45
LM14551	SF6P25TC65Y	25	500	5693	215	LM15648	AAF6B1.5T61	1 1/2	83	972	44
LM14552	SF2P50TSC65Y	50	568	6694	215	LM15649	AAF2B1T61	5	89	1376	46
LM14553	SF4P50TC65Y	50	568	5755	215	LM15650	AAF4B5T61	5	104	1086	46
LM14554	SF6P30TC65Y	30	580	6308	215	LM15651	AAF6B2T61	2	92	1081	45



Leeson Catalog Number Index

Motors, Sub-FHP Gearmotors, Drives and Accessories

Catalog No.	Model Number	HP	Weight	List \$	Page #	Catalog No.	Model Number	HP	Weight	List \$	Page #
LM15670	AAF2B15T61	15	209	2467	47	LM16600	AF6P10TC65	10	200	2844	215
LM15671	AAF4B15T61	15	209	2211	47	LM16601	AF2P15TC65	15	185	2404	215
LM15672	AF6B7.5T61	7 1/2	209	2648	46	LM16602	AF4P15TC65	15	260	2090	215
LM15673	AF2B0T61	20	325	2876	47	LM16603	AF6P15TC65	15	500	3778	215
LM15674	AAF4B20T61	20	295	2775	47	LM16604	AF2P20TC65	20	248	2612	215
LM15675	AF6B10T61	10	236	3111	47	LM16605	AF4P20TC65	20	300	2460	215
LM15717	CCS2P250TS64Y	250	2572	39512	100	LM16606	AF6P20TC65	20	415	4412	215
LM15720	CCS2P350TS64Y	350	2883	53564	100	LM16607	AF2P25TSC65	25	370	3530	215
LM15721	CCS2P300TS64Y	300	2883	48297	100	LM16608	AF4P25TC65	25	370	3334	215
LM15722	CCS6P300T64Y	300	2883	50566	100	LM16644	CCS4B3T61T5	3	104	1168	91
LM15723	CCS6P250T64Y	250	2883	39513	100	LM16650	CCS4B5T61T5	5	138	1277	91
LM15791	CCF2B25TS61Y	25	461	4148	48	LM16656	CCS6B7.5T61YT5	7 1/2	249	2885	91
LM15792	CCF4B25T61Y	25	495	3795	48	LM16716	SF6B60TC61Y	60	834	12536	73
LM15793	CCF6B15T61Y	15	483	4554	47	LM16717	SF6B75TC61Y	75	1018	16078	73
LM15794	CCF2B30TS61Y	30	496	4909	48	LM16719	SF2B100TSC61Y	100	1018	17140	74
LM15795	CCF4B30T61Y	30	519	4479	48	LM16728	AAF6B1.5TC61	1 1/2	95	1048	70
LM15796	CCF6B20T61Y	20	515	5312	47	LM16739	AAF6B2TC61	2	104	1158	70
LM15854	CCF2B1.5T61	1 1/2	54	1012	44	LM16741	AAF2B3TC61	3	95	1147	71
LM15857	CCN2B2T61	2	71	1116	45	LM16742	AAF4B3TC61	3	75	1007	71
LM15866	CCN2B3T61	3	107	1167	45	LM16744	SSF653TC61	3	90	1648	71
LM15868	CCF6B1.5T61	1 1/2	112	1060	44	LM16745	AAF2B5TC61	5	104	1298	71
LM15869	CCF2BT61	5	108	1315	46	LM16747	AAF4BT61	5	104	1167	71
LM15871	CCN6B2T61	2	126	1368	45	LM16748	AF655TC61	5	149	1889	71
LM15878	CCF2B7.5T61	7 1/2	192	1368	46	LM16750	AAF2B7.5TC61	7 1/2	138	1569	71
LM15880	CCF6B3T61	3	173	1791	45	LM16752	AF4B7.5TC61	7 1/2	138	1535	71
LM15881	CCF2B10T61	10	218	1945	47	LM16753	AAF5B7.5TC61	7 1/2	221	2585	71
LM15883	CCF6BT61	5	203	2000	46	LM16755	AF2B10TC61	10	149	1889	72
LM15890	CCF2B15T611AP21	15	384	2729	47	LM16757	AF4B10TC61	10	149	1888	72
LM15892	CCF6B7.5T61	7 1/2	223	2699	46	LM16759	AF6B10TC61	10	248	3231	72
LM15893	CCF2B20T61	20	385	3342	47	LM16761	AF2B15TC61	15	221	2585	72
LM15895	CCF6B10T61	10	368	3342	47	LM16762	AF4B15TC61	15	221	2660	72
LM15919	AF4B20T65	20	236	2340	211	LM16764	AF6B15TC61Y	15	370	4371	72
LM15921	SF4P75TC65Y	75	835	10410	216	LM16766	AF2B20TC61	20	248	3253	72
LM16029	AF4B7.5T61	7 1/2	127	1427	46	LM16767	AF4B20TC61	20	248	2892	72
LM16030	AF6B3T61	3	127	1553	45	LM16769	AF6B20TC61Y	20	415	5673	72
LM16031	AF2B10T61	10	138	1799	47	LM16770	AF2B25TSC61Y	25	370	4277	72
LM16032	AF4B10T61	10	138	1591	47	LM16772	AF4B25TC61Y	25	370	3878	72
LM16033	AF6B5T61	5	138	1801	46	LM16773	AF2B30TSC61Y	30	415	5035	73
LM16222	SF2P250TS64Y	250	2185	33318	51	LM16774	AF4B30TC61Y	30	415	5039	73
LM16223	SF4P250T64Y	250	2185	28644	51	LM16824	AAF4B3TCN61	3	95	1007	67
LM16226	SD2P350TS64Y	350	2112	30218	38	LM16825	AAF4B5TCN61	5	104	1167	67
LM16227	SD4P300T64Y	300	2112	22752	38	LM16826	AF4B7.5TCN61	7 1/2	138	1598	67
LM16229	SF2B200TS64Y	200	1812	34830	51	LM16827	AF4B10TCN61	10	149	1889	67
LM16230	SF4B200T64Y	200	1812	28985	51	LM16828	AF4B15TCN61	15	221	2586	68
LM16231	SF6B150T64Y	150	1812	29450	51	LM16829	AF4B20TCN61	20	248	3099	68
LM16232	SF2B250TS64Y	250	2185	42075	51	LM16919	CCS4B10T61	10	213	2105	91
LM16233	SF4B250T64Y	250	2185	34594	51	LM17059	AF6B1.5T65	1 1/2	83	972	209
LM16235	SD4B250T64Y	250	1745	26648	38	LM17062	AF6B2T65	2	92	1080	209
LM16237	SD2B350TS64Y	350	2112	38155	38	LM17063	AF2B3T65	3	83	1101	210
LM16238	SD4B300T64Y	300	2112	28408	38	LM17064	AF4B3T65	3	83	928	210
LM16239	SDB200T64Y	200	2112	20930	37	LM17065	AF6B3T65	3	127	1298	210
LM16298	AAF4P3TCN61	3	91	823	67	LM17066	AF2BT65	5	92	1220	210
LM16299	AAF4P5TCN61	5	104	941	67	LM17067	AF4B5T65	5	87	1086	210
LM16300	AF4P7.5TCN61	7 1/2	138	1191	67	LM17068	AF6B5T65	5	90	1801	210
LM16301	AF4P10TCN61	10	149	1427	67	LM17069	AF2B7.5T65	7 1/2	127	1482	210
LM16302	AF4P15TCN61	15	221	2090	68	LM17070	AF4B7.5T65	7 1/2	127	1427	210
LM16303	AF4P20TCN61	20	248	2460	68	LM17071	AF6B7.5T65	7 1/2	209	2467	210
LM16379	AF6P1.5T65	1 1/2	86	822	209	LM17072	AF2B10T65	10	138	1799	210
LM16382	AF6P2T65	2	102	898	209	LM17073	AF4B10T65	10	138	1800	210
LM16383	AF2P3T65	3	72	830	210	LM17074	AF6B10T65	10	236	3111	210
LM16384	AF4P3T65	3	77	748	210	LM17075	AF2B15T65	15	209	2467	211
LM16385	AF6P3T65	3	127	1221	210	LM17076	AF4B15T65	15	209	2212	211
LM16386	AF2P5T65	5	174	1010	210	LM17077	AF6B15T65	15	363	4166	211
LM16387	AF4P5T65	5	88	864	210	LM17078	AF2B20T65	20	236	2938	211
LM16388	AF6P5T65	5	155	1567	210	LM17079	AF4P20T65	20	275	2775	211
LM16389	AF2P7.5T65	7 1/2	143	1605	210	LM17080	AF6B20T65	20	408	5470	211
LM16391	AF4P7.5T65	7 1/2	160	1333	210	LM17081	AF2B25TS65	25	363	4073	211
LM16392	AF6P7.5T65	7 1/2	209	2160	210	LM17082	AF4B25T65	25	363	3674	211
LM16394	AF2P10T65	10	138	1894	210	LM17175	AF6B1.5TC65	1 1/2	95	1048	214
LM16395	AF4P10T65	10	138	1376	210	LM17179	AF6B2TC65	2	104	1158	214
LM16397	AF6P10T65	10	386	2725	210	LM17180	AF2B3TC65	3	95	1136	214
LM16398	AF2P15T65	15	209	2102	211	LM17181	AF4B3TC65	3	95	1006	214
LM16400	AF4P15T65	15	240	1974	211	LM17182	AF6B3TC65	3	138	1384	214
LM16401	AF6P15T65	15	369	3572	211	LM17183	AF2B5TC65	5	104	1296	214
LM16403	AF2P20T65	20	290	2495	211	LM17184	AF4B5TC65	5	104	1167	214
LM16404	AF6P20T65	20	408	4207	211	LM17185	AF6B5TC65	5	149	1889	214
LM16406	AF2P25TS65	25	410	3450	211	LM17186	AF2B7.5TC65	7 1/2	138	1570	215
LM16407	AF4P25T65	25	320	3324	211	LM17187	AF4B7.5TC65	7 1/2	138	1514	215
LM16564	SE4S250TSC64PY	250	1600	19000	95	LM17188	AF6B7.5TC65	7 1/2	221	2585	215
LM16572			2	286	375	LM17189	AF2B10TC65	10	149	1961	215
LM16574			40	834	375	LM17190	AF4B10TC65	10	149	1888	215
LM16577			40	1175	375	LM17191	AF6B10TC65	10	248	3231	215
LM16582	AF6P1.5TC65	1 1/2	95	899	214	LM17192	AF2B15TC65	15	221	2586	215
LM16587	AF6P2TC65	2	104	977	214	LM17193	AF4B15TC65	15	221	2329	215
LM16589	AF2P3TC65	3	95	909	214	LM17194	AF6B15TC65	15	370	4373	215
LM16590	AF4P3TC65	3	95	823	214	LM17195	AF2B20TC65	20	248	3055	215
LM16591	AF6P3TC65	3	138	1244	214	LM17196	AF4B20TC65	20	248	2892	215
LM16592	AF2P5TC65	5	104	1086	214	LM17197	AF6B20TC65	20	415	5673	215
LM16593	AF4P5TC65	5	104	941	214	LM17198	AF2B25TSC65	25	370	4279	215
LM16594	AF6P5TC65	5	149	1657	214	LM17199	AF4B25TC65	25	370	3878	215
LM16595	AF2P7.5TC65	7 1/2	175	1374	215	LM17382	SDB30TSC61Y	30	355	4091	63
LM16596	AF4P7.5TC65	7 1/2	127	1357	215	LM17384	SD2B40TSC61Y	40	406	6409	63
LM16597	AF6P7.5TC65	7 1/2	221	2279	215	LM17385	SD6B60TC61Y	60	898	10723	63
LM16598	AF2P10TC65	10	210	1793	215	LM17386	SD6B75TC61Y	75	974	13695	63
LM16599	AF4P10TC65	10	200	1439	215	LM17387	SD4B100TC61Y	100	898	9867	63



DC Motors

Gearmotors

Ac / DC Controls

Accessories / Kits

Motors / Factory Options

X-Ref / Index

Tech Information

Terms / Warnings

Other Products

Leeson Catalog Number Index

Motors, Sub-FHP Gearmotors, Drives and Accessories

Catalog No.	Model Number	HP	Weight	List \$	Page #	Catalog No.	Model Number	HP	Weight	List \$	Page #
LM17388	SD2B125TSC61Y	125	898	14735	63	LM19577	CCF2P350TSC64Y	350	3050	48695	52
LM17389	SD4B125TSC61Y	125	974	11248	63	LM19578	CCF4P350T64Y	350	3218	35023	52
LM17390	SD2B150TSC614	150	974	17342	63	LM19580	CCF4P400T64Y	400	3263	44661	52
LM17594	CCS4P250T64	250	2572	32476	100	LM19594	AF2P30TSC65Y	30	408	3916	211
LM17597	CCS6P250T64	250	2883	39513	100	LM19595	AF4P30T65Y	30	585	3739	211
LM17598	CCS6P300T64	300	2883	50566	100	LM19596	AF2P30TSC65Y	30	415	4120	215
LM17599	CCS4P350T64	350	2883	38525	100	LM19597	AF4P30T65Y	30	415	3945	215
LM17600	CCS4P400T64	400	2883	49127	100	LM19598	SF6P40TSC65Y	40	777	7474	215
LM17601	CCS2P300TSC64	300	2883	48297	100	LM19599	SF6P50TSC65Y	50	834	9211	215
LM17602	CCS2P350TSC64	350	2883	53565	100	LM19600	SF2P60TSC65Y	60	777	8344	216
LM17685	SF4P200TSC65Y	200	1537	23692	216	LM19601	SF6P60TSC65Y	60	934	10591	216
LM17701	CC449S4P250T64PYRBT1	250	2760	35788	242	LM19602	SF2P75TSC65Y	75	834	10597	216
LM17702	CCS6P250T64PYRBT1	250	3408	42664	242	LM19603	SF4P60TSC65Y	60	778	8378	216
LM17704	CCS6P300T64PYRBT1	300	3500	53499	242	LM19604	SF6P75TSC65Y	75	1018	13551	216
LM17705	CCS4P350T64PYRBT1	350	3218	44099	242	LM19605	SF2P100TSC65Y	100	1018	14400	216
LM17706	CCS4P400T64PYRBT1	400	3400	51555	242	LM19606	SF4P100TSC65Y	100	1018	12582	216
LM17714	SF4P250T64PYRBT1	250	1812	30043	242	LM19607	SF6P100TSC65Y	100	1372	16669	216
LM17715	SF6P250T64PYRBT1	250	2185	35685	242	LM19608	SF2P125TSC65Y	125	1372	17551	216
LM17716	SF4P300T64PYRBT1	300	1812	30519	242	LM19609	SF4P125TSC65Y	125	1372	16753	216
LM17718	SF4P350T64PYRBT1	350	2185	31469	242	LM19610	SF6P125TSC65Y	125	1525	19751	216
LM17719	SF4P400T64PYRBT1	400	2185	40343	242	LM19611	SF2P150TSC65Y	150	1525	21534	216
LM17733	SF6B100T64PYRBT1	100	1351	22636	242	LM19612	SF4P150TSC65Y	150	1525	19294	216
LM17734	SF4B125T64PYRBT1	125	1351	22504	242	LM19613	SF6P150TSC65Y	150	1525	23016	216
LM17735	SF6B125T64PYRBT1	125	1531	27404	242	LM19614	SF2P200TSC65Y	200	1525	27071	216
LM17736	SF4B150T64PYRBT1	150	1531	26401	242	LM19615	SF6P200TSC65Y	200	1833	26246	216
LM17737	SF6B150T64PYRBT1	150	1531	31521	242	LM19616	SF2P250TSC65Y	250	1833	32593	216
LM17738	SF4B200T64PYRBT1	200	1531	31078	242	LM19617	SF4P250TSC65Y	250	1833	28177	216
LM17740	SF6B200T64PYRBT1	200	1812	35751	242	LM19619	S449F2P300TSC65Y	300	2206	39644	217
LM17741	SF4B250T64PYRBT1	250	1812	36641	242	LM19620	SF4P300TSC65Y	300	1833	29441	217
LM17742	SF6B250T64PYRBT1	250	2185	43766	242	LM19623	SF2P350TSC65Y	350	2206	43875	217
LM17743	SF4B300T64PYRBT1	300	1812	39759	242	LM19624	SF4P350TSC65Y	350	2206	30460	217
LM17744	SF6B300T64PYRBT1	300	2185	54897	242	LM19625	SF2P400TSC65Y	400	2206	53397	217
LM17745	SF4B350T64PYRBT1	350	2185	48219	242	LM19626	SF4P400TSC65Y	400	2206	39988	217
LM17746	SF4B400T64PYRBT1	400	2185	55455	242	LM19713	SD4P60TSC65Y	60	724	6386	220
LM17953	SF4P300T64Y	300	1812	28519	52	LM19716	SD4P75TSC65Y	75	771	6889	220
LM17954	SD4P350T64Y	350	2112	26135	38	LM19719	SD4P100TSC65Y	100	898	8656	220
LM17956	SF4B300T64Y	300	2185	36064	52	LM19722	SD4P125TSC65Y	125	974	9867	220
LM17957	SD4B350T64Y	350	2112	35680	38	LM19725	SD4P150TSC65Y	150	1292	13207	220
LM17958	SD6B250T64Y	250	2112	32745	38	LM19728	SD4P200TSC65Y	200	1470	15306	220
LM18288	SF6P60T65Y	60	918	9943	212	LM19731	SD4P250TSC65Y	250	1459	20900	220
LM18289	SF6B60T65Y	60	918	11890	212	LM19734	SD4P300TSC65Y	300	1766	22097	220
LM18290	SF2P100TSC65Y	100	1002	13753	212	LM19747	CCF6B25T61Y	25	637	6638	48
LM18291	SF2B100TSC65Y	100	1002	16494	212	LM19748	CCF6B30T61Y	30	689	7535	48
LM18292	SF4P100T65Y	100	1002	11918	212	LM19749	CCF2B40TSC61Y	40	664	6262	49
LM18293	SF6B75T65Y	75	1002	15433	212	LM19750	CCF4B40T61Y	40	602	5766	49
LM18294	SF6P75T65Y	75	1002	12904	212	LM19751	CCF6B40T61Y	40	835	9709	49
LM18296	SD2P125TSC65Y	125	882	11138	219	LM19752	CCF2B50TSC61Y	50	732	8045	49
LM18298	SD4P100T65Y	100	882	7989	219	LM19753	CCF4B50T61Y	50	744	7200	49
LM18302	SD2P150TSC65Y	150	958	13318	219	LM19754	CCF6B50T61Y	50	955	11476	49
LM18306	SD4P125T65Y	125	958	9199	219	LM19755	CCF2B60TSC61Y	60	918	10360	49
LM18307	SF4B100T65Y	100	1002	14670	212	LM19756	CCF4B60T61Y	60	980	10550	49
LM18319	SF4P300TSC64Y	300	1812	28519	52	LM19757	CCF6B60T61Y	60	1156	10591	49
LM18347	SF4P300TSC64Y	300	2185	28519	52	LM19758	CCF2B75TSC61Y	75	1001	13128	50
LM18365	SF6P40T65Y	40	765	6929	211	LM19759	CCF4B75T61Y	75	1018	12598	50
LM18366	SF4P60T65Y	60	765	7821	212	LM19760	CCF6B75T61Y	75	1280	16421	50
LM18367	SF2P60TSC65Y	60	765	7797	212	LM19762	CCF4B100T61Y	100	1398	15937	50
LM18368	SF6B40T65Y	40	765	8094	211	LM19765	CCF4B125T64Y	125	1874	20338	50
LM18369	SF4B60T65Y	60	765	8905	212	LM19768	CCF4B150T64Y	150	2070	23781	51
LM18370	SF2B60TSC65Y	60	765	9110	212	LM19985			2	203	375
LM18371	SF6P50T65Y	50	822	8666	211	LM20028	CCF6P10U64	10	525	4322	107
LM18372	SF4P75T65Y	75	822	9865	212	LM20029	CCF4P20U64	20	525	4968	108
LM18373	SF2P75TSC65Y	75	822	10052	212	LM20030	CCF4P30U64	30	748	7262	108
LM18374	SF6B50T65Y	50	822	10119	211	LM20031	CCF6P20U64	20	750	7106	108
LM18375	SF4B75T65Y	75	822	11636	212	LM20035	SF6B40TSC65Y	40	777	8641	215
LM18376	SF2B75TSC65Y	75	822	11737	212	LM20036	SF6B50TSC65Y	50	834	10664	215
LM18378	SD4P60T65Y	60	712	5967	219	LM20037	SF2B60TSC65Y	60	777	9653	216
LM18379	SD2P75TSC65Y	75	712	7896	219	LM20038	SF4B60TSC65Y	60	778	10057	216
LM18384	SD4P75T65Y	75	763	7518	219	LM20039	SF6B60TSC65Y	60	934	12536	216
LM18385	SD2P100TSC65Y	100	763	9171	219	LM20040	SF2B75TSC65Y	75	834	12284	216
LM18757	S449F4P300T64PYRBT1	300	2185	31847	242	LM20041	SF4B75TSC65Y	75	834	12180	216
LM18759	SF4B100T64PYRBT1	100	1002	17139	242	LM20042	SF6B75TSC65Y	75	1018	16078	216
LM18864		2	203	375		LM20043	SF2B100TSC65Y	100	1018	17140	216
LM18865		2	203	375		LM20044	SF4B100TSC65Y	100	1001	15320	216
LM18866		3	293	375		LM20045	SF6B100TSC65Y	100	1372	20527	216
LM18866		3	293	375		LM20046	SF2B125TSC65Y	125	1372	21950	216
LM18867		3	334	375		LM20047	SF4B125TSC65Y	125	1372	20392	216
LM18868		35	738	375		LM20048	SF6B125TSC65Y	125	1552	24733	216
LM18869		3	334	375		LM20049	SF2B150TSC65Y	150	1552	27095	216
LM18870		4	445	375		LM20050	SF4B150TSC65Y	150	1552	23735	216
LM18871		40	1213	375		LM20051	SF6B150TSC65Y	150	1552	28853	216
LM18872		2	159	375		LM20052	SF2B200TSC65Y	200	1552	33972	216
LM18873		2	203	375		LM20053	SF4B200TSC65Y	200	1552	28408	216
LM18874		1	203	375		LM20054	SF6B200TSC65Y	200	1833	32915	216
LM18876		1	293	375		LM20055	SF2B250TSC65Y	250	1833	40929	216
LM19193	SF4P300TSC64Y	300	2206	30868	74	LM20056	SF4B250TSC65Y	250	1833	33805	216
LM19530	CCF4P50U64	50	1063	11235	108	LM20058	S449F2B300TSC65Y	300	2206	50744	217
LM19531	CCF6P30U64	30	1160	9711	108	LM20059	SF4B300TSC65Y	300	1833	36923	217
LM19532	CCF2P60U64	60	1130	11233	108	LM20061	SF2B350TSC65Y	350	2206	55179	217
LM19533	CCF6P50U64	50	1110	14446	108	LM20062	SF4B350TSC65Y	350	2206	45383	217
LM19534	CCF4P100U64	100	1787	21386	108	LM20063	SF2B400TSC65Y	400	2206	67197	217
LM19535	CCF6P75U64	60	1787	20112	108	LM20064	SF4B400TSC65Y	400	2206	52061	217
LM19571	CCF2P250TSC64Y	250	2685	35921	51	LM20081	SD2P30TSC65Y	30	348	3222	218
LM19572	CCF4P250T64Y	250	2760	29525	51	LM20085	AF2B30TSC65Y	30	485	4577	211
LM19574	CCF2P300TSC64Y	300	2850	43907	52	LM20086	AF4B30T65Y	30	408	4838	211
LM19575	CCF4P300T64Y	300	2980	31639	52	LM20087	AF2B30TSC65Y	30	415	4779	215



Leeson Catalog Number Index

Motors, Sub-FHP Gearmotors, Drives and Accessories

Catalog No.	Model Number	HP	Weight	List \$	Page #	Catalog No.	Model Number	HP	Weight	List \$	Page #
LM20088	AF4B30TC65Y	30	415	5039	215	LM21174	SD4P25T61YQ40	25	355	1732	85
LM20116			28	357	369	LM21177	SD4P30T61YQ40	30	504	2474	85
LM20389	CCF6P7.5U64	7 1/2	332	3526	107	LM21180	SD4P40T61YQ40	40	469	4538	85
LM20390	CCF4P10U64	10	260	2943	107	LM21188	AAF6P1.5T61Q40	1 1/2	83	1033	82
LM20391	CCF6P3U64	3	170	1982	107	LM21189	AAF2P3T61Q40	3	83	1057	82
LM20392	CCF4P5U64	5	170	1844	107	LM21190	AAF4P3T61Q40	3	83	975	82
LM20393	CCF2P7.5U64	7 1/2	170	1786	107	LM21191	AAF6P2T61Q40	2	92	1107	82
LM20394	CCF2P15U64	15	260	2724	107	LM21192	AAF2P5T61Q40	5	92	1229	82
LM20488	SE6S30TC61	30	482	5602	95	LM21193	AAF4P5T61Q40	5	92	1086	82
LM20655	SREW4S0.5T61	1/2	26	1016	139	LM21194	AF6P3T61Q40	3	127	1269	82
LM20656	SREW4S0.5TC61	1/2	35	1068	140	LM21195	AF2P7.5T61Q40	7 1/2	127	1662	82
LM20657	SREW4S0.5TCN61	1/2	35	1068	141	LM21196	AF4P7.5T61Q40	7 1/2	127	1431	82
LM20658	SREW4S0.75T61	3/4	24	1054	139	LM21197	AAF6P5T61Q40	5	138	1870	82
LM20659	SREW4S0.75TC61	3/4	35	1104	140	LM21198	AF2P10T61Q40	10	138	1724	82
LM20660	SREW4S0.75TCN61	3/4	35	1104	141	LM21199	AF4P10T61Q40	10	138	1600	82
LM20661	SREW4S1TC61	1	35	1152	140	LM21200	AAF6P7.5T61Q40	7 1/2	209	2380	82
LM20662	SREW4S1TCN61	1	35	1152	141	LM21201	AAF2P15T61Q40	15	209	2427	83
LM20663	SREW4S1.5TC61	1 1/2	35	1204	140	LM21202	AF4P15T61Q40	15	209	2300	83
LM20664	SREW4S1.5TCN61	1 1/2	35	1204	141	LM21203	AAF6P10T61Q40	10	236	3050	82
LM20665	SREW4S2TC61	2	40	1460	140	LM21204	AF2P20T61Q40	20	236	2785	83
LM20666	SREW4S2TCN61	2	40	1460	141	LM21205	AF4P20T61Q40	20	236	2665	83
LM20667	SREW4S1T61	1	35	1103	139	LM21206	AF6P15T61YQ40	15	363	3862	83
LM20668	SREW4S1TC61	1	40	1152	140	LM21207	AF2P25T61YQ40	25	363	3612	83
LM20669	SREW4S1TCN61	1	40	1152	141	LM21208	AF4P25T61YQ40	25	363	3500	83
LM20670	SREW4S1.5T61	1 1/2	35	1150	139	LM21209	AF6P20T61YQ40	20	408	4274	83
LM20671	SREW4S1.5TC61	1 1/2	40	1204	140	LM21210	AF2P30T61YQ40	30	408	4115	83
LM20672	SREW4S1.5TCN61	1 1/2	40	1204	141	LM21211	AF4P30T61YQ40	30	408	4094	83
LM20673	SREW4S2T61	2	35	1376	139	LM21212	SF6P25T61YQ40	25	504	5107	83
LM20674	SREW4S2TC61	2	40	1427	140	LM21213	SF2P40T61YQ40	40	504	5374	83
LM20675	SREW4S2TCN61	2	40	1426	141	LM21214	SF4P40T61YQ40	40	504	5308	83
LM20676	SREW4S3T61	3	64	1796	139	LM21215	SF6P30T61YQ40	30	570	7138	83
LM20677	SREW4S3TC61	3	73	1874	140	LM21216	SF2P50T61YQ40	50	558	6848	83
LM20678	SREW4S3TCN61	3	73	1874	141	LM21217	SF4P50T61YQ40	50	558	5696	83
LM20679	SREW4S5T61	5	70	2043	139	LM21218	SF6P40T61YQ40	40	765	7483	83
LM20680	SREW4S5TC61	5	79	2120	140	LM21219	SF2P60T61YQ40	60	765	10207	83
LM20681	SREW4S5TCN61	5	79	2120	141	LM21220	SF4P60T61YQ40	60	765	8254	83
LM20695	SD4P250TSC64Y	250	1459	20900	64	LM21221	SF6P50T61YQ40	50	822	9282	83
LM20707	CCF2P3U64	3	120	1339	107	LM21222	SF2P75T61YQ40	75	822	10669	83
LM20708	CCF4P2U64	2	120	1209	107	LM21223	SF4P75T61YQ40	75	822	10485	83
LM20709	CCN6P1.5U64	1 1/2	99	1443	107	LM21224	SF6P60T61YQ40	60	918	10845	83
LM21031	SREW2S0.5T61	1/2	30	943	139	LM21225	SF6P75T61YQ40	75	1002	13227	83
LM21032	SREW2S0.5TC61	1/2	35	993	140	LM21226	SF2P100T61YQ40	100	1002	14527	83
LM21033	SREW2S0.5TCN61	1/2	35	993	141	LM21227	SF4P100T61YQ40	100	1002	13582	83
LM21034	SREW2S0.75T61	3/4	30	1000	139	LM21228	SF6P100T64YQ40	100	1351	17227	83
LM21035	SREW2S0.75TC61	3/4	35	1052	140	LM21229	SF2P125T64YQ40	125	1351	17878	83
LM21036	SREW2S0.75TCN61	3/4	35	1052	141	LM21230	SF4P125T64YQ40	125	1351	16873	83
LM21037	SREW2S1T61	1	30	1087	139	LM21231	SF6P125T64YQ40	125	1504	19885	83
LM21038	SREW2S1TC61	1	35	1141	140	LM21232	SF2P150T64YQ40	150	1504	21107	83
LM21039	SREW2S1TCN61	1	35	1138	141	LM21233	SF4P150T64YQ40	150	1504	19519	83
LM21040	SREW2S1.5T61	1 1/2	30	1160	139	LM21234	SF6P150T64YQ40	150	1504	22830	83
LM21041	SREW2S1.5TC61	1 1/2	35	1212	140	LM21235	SF2P200T64YQ40	200	1504	24700	83
LM21042	SREW2S1.5TCN61	1 1/2	35	1212	141	LM21236	SF4P200T64YQ40	200	1504	23220	83
LM21043	SREW2S2T61	2	34	1291	139	LM21237	SF6P200T64YQ40	200	1812	24806	83
LM21044	SREW2S2TC61	2	40	1342	140	LM21238	SF4P250T64YQ40	250	1812	27943	83
LM21045	SREW2S2TCN61	2	40	1342	141	LM21239	SF4P300T64YQ40	300	2315	30243	83
LM21046	SREW2S1.5T61	1 1/2	35	1206	139	LM21240	SF2P250T64YQ40	250	2185	29031	83
LM21047	SREW2S1.5TC61	1 1/2	40	1254	140	LM21242	SF2P300T64YQ40	300		27943	83
LM21048	SREW2S1.5TCN61	1 1/2	40	1254	141	LM21243	SF2B350T64YQ40	350		56666	83
LM21049	SREW2S2T61	2	35	1344	139	LM21244	SF4P350T64YQ40	350	2185	29860	83
LM21050	SREW2S2TC61	2	40	1394	140	LM21378	CCN4P1U64	1	110	1073	107
LM21051	SREW2S2TCN61	2	40	1394	141	LM21379	CCN6P0.75U64	3/4	89	1141	107
LM21052	SREW2S3T61	3	64	1605	139	LM21380	CCN4P1.5U64	1 1/2	108	1149	107
LM21053	SREW2S3TC61	3	73	1682	140	LM21381	CCN6P1U64	1	108	1312	107
LM21054	SREW2S3TCN61	3	73	1686	141	LM21382	CCF4P3U64	3	170	1391	107
LM21055	SREW2S5T61	5	70	2272	139	LM21383	CCF6P2U64	2	170	1600	107
LM21056	SREW2S5TC61	5	79	2348	140	LM21384	CCF4P7.5U64	7 1/2	260	2422	107
LM21057	SREW2S5TCN61	5	79	2354	141	LM21385	CCF6P5U64	5	260	2904	107
LM21061	SREW4S1T61	1	30	1103	139	LM21386	CCF4P25U64	25	748	6216	108
LM21062	SREW4S1.5T61	1 1/2	30	1150	139	LM21387	CCF6P15U64	15	750	5816	107
LM21063	SREW4S2T61	2	34	1410	139	LM21388	CCF4P40U64	40	977	9575	108
LM21084	CCN2P1.5U64	1 1/2	108	986	107	LM21389	CCF6P25U64	25	1160	8579	108
LM21085	CCF2P2U64	2	120	1087	107	LM21390	CCF6P40U64	40	1110	12506	108
LM21086	CCF2P5U64	5	170	1484	107	LM21391	CCF4P60U64	60	1110	13947	108
LM21087	CCF2P10U64	10	260	2138	107	LM21392	CCF4P75U64	60	1787	17203	108
LM21088	CCF2P20U64	20	525	3704	108	LM21393	CCF6P60U64	60	1787	16963	108
LM21089	CCF2P25U64	25	748	4751	108	LM21665	CCF4P15U64	15	525	4042	107
LM21090	CCF2P30U64	30	748	5730	108	LM21798	CCF2P40U64	40	908	7483	108
LM21091	CCF2P40U64	40	908	7483	108	LM21799	CCF2P50U64	50	980	9441	108
LM21092	CCF2P50U64	50	980	9441	108	LM21800	CCF2P60U64	60	1130	11233	108
LM21093	CCF2P75U64	60	1685	14761	108	LM21801	CCF2P75U64	60	1685	14761	108
LM21094	CCF2P100U64	100	1685	19507	108	LM21802	CCF2P100U64	100	1685	19507	108
LM21118	SD4P50T61YQ40	50	522	5067	85	LM21807	CCF2P25U64	25	748	4751	108
LM21121	SD4P60T61YQ40	60	595	5196	85	LM21808	CCF4P25U64	25	748	6216	108
LM21124	SD4P75T61YQ40	75	763	6634	85	LM21809	CCF6P15U64	15	750	5815	107
LM21127	SD4P100T61YQ40	100	882	8494	85	LM21810	CCF2P30U64	30	748	5730	108
LM21148	SSD4P1T61Q40	1	55	702	85	LM21811	CCF4P30U64	30	748	7263	108
LM21151	SSD4P1.5T61Q40	1 1/2	68	733	85	LM21812	CCF6P20U64	20	750	7106	108
LM21153	SSD4P2T61Q40	2	68	773	85	LM21813	CCF4P40U64	40	977	9576	108
LM21157	SSD4P3T61Q40	3	82	877	85	LM21814	CCF6P25U64	25	1160	8580	108
LM21159	SSD4P5T61Q40	5	71	1121	85	LM21815	CCF4P50U64	50	1063	11235	108
LM21162	SSD4P7.5T61Q40	7 1/2	141	1287	85	LM21816	CCF6P30U64	30	1160	9711	108
LM21165	SSD4P10T61Q40	10	168	1513	85	LM21817	CCF6P40U64	40	1110	12507	108
LM21168	SSD4P15T61Q40	15	245	2160	85	LM21818	CCF4P60U64	60	1110	13947	108
LM21170	SSD6P10T61Q40	10	255	2318	85	LM21819	CCF6P50U64	50	1110	14446	108
LM21171	SSD4P20T61Q40	20	255	2390	85	LM21821	CCF4P75U64	60	1787	17203	108



DC Motors

Gearmotors

Ac / DC Controls

Accessories / Kits

Motors / Factory Options

X-Ref / Index

Tech Information

Terms / Warnings

Other Products

Leeson Catalog Number Index

Motors, Sub-FHP Gearmotors, Drives and Accessories

Catalog No.	Model Number	HP	Weight	List \$	Page #	Catalog No.	Model Number	HP	Weight	List \$	Page #
LM21822	CCF6P60US64	60	1787	16963	108	LM22424	SSEW2S7.5TC61	7 1/2	121	2916	140
LM21823	CCF4P100US64	100	1787	21386	108	LM22425	SSEW2S7.5TCN61	7 1/2	121	2916	141
LM21824	CCF6P75US64	60	1787	20112	108	LM22426	SSEW2S10T61	10	125	3373	139
LM21826	CCN2P1.5UC64	1 1/2	120	1062	109	LM22427	SSEW2S10TC61	10	139	3461	140
LM21827	CCN4P1UC64	1	120	1149	109	LM22428	SSEW2S10TCN61	10	139	3461	141
LM21828	CCN6P0.75UC64	3/4	120	1215	109	LM22435	SSEW4S7.5T61	7 1/2	109	2600	139
LM21829	CCF2P3UC64	3	132	1394	109	LM22436	SSEW4S7.5TC61	7 1/2	121	2690	140
LM21831	CCF2P2UC64	2	132	1167	109	LM22437	SSEW4S7.5TCN61	7 1/2	121	2690	141
LM21832	CCF4P2UC64	2	132	1286	109	LM22438	SSEW4S10T61	10	125	2970	139
LM21833	CCN4P1.5UC64	1 1/2	120	1224	109	LM22439	SSEW4S10TC61	10	139	3059	140
LM21834	CCN6P1.5UC64	1 1/2	120	1521	109	LM22440	SSEW4S10TCN61	10	139	3059	141
LM21835	CCN6P1UC64	1	120	1384	109	LM22488	CC5011S4P500LX6024TD2	500	5500	100774	229
LM21836	CCF2P5UC64	5	181	1558	109	LM22489	CCS4P800LS64Y	600	5500	160625	100
LM21837	CCF4P3UC64	3	181	1479	109	LM22644	SRF4S0.33T61Q40	1/3	28	563	82
LM21838	CCF6P2UC64	2	181	1689	109	LM22645	SRF4S0.33TC61Q40	1/3	33	613	84
LM21839	CCF2P7.5UC64	7 1/2	181	1874	109	LM22646	SRF2S0.5T61Q40	1/2	28	543	82
LM21840	CCF4P5UC64	5	181	1934	109	LM22647	SRF2S0.5TC61Q40	1/2	33	594	84
LM21841	CCF6P3UC64	3	181	2071	109	LM22648	SRF4S0.5T61Q40	1/2	28	647	82
LM21842	CCF2P10UC64	10	272	2255	109	LM22649	SRF4S0.5TC61Q40	1/2	33	699	84
LM21843	CCF4P7.5UC64	7 1/2	272	2542	109	LM22650	SRF6S0.5T61Q40	1/2	28	772	82
LM21844	CCF6P5UC64	5	272	2873	109	LM22651	SRF6S0.5TC61Q40	1/2	33	823	84
LM21845	CCF2P15UC64	15	272	2840	109	LM22652	SRF2S0.75T61Q40	3/4	28	577	82
LM21846	CCF4P10UC64	10	272	3061	109	LM22653	SRF2S0.75TC61Q40	3/4	33	628	84
LM21847	CCF6P7.5UC64	7 1/2	344	3643	109	LM22654	SRF4S0.75T61Q40	3/4	28	659	82
LM21848	CCF4P15UC64	15	531	4248	109	LM22655	SRF4S0.75TC61Q40	3/4	33	709	84
LM21849	CCF6P10UC64	10	531	4523	109	LM22656	SRF6S0.75T61Q40	3/4	36	783	82
LM21850	CCF2P20UC64	20	531	3907	109	LM22657	SRF6S0.75TC61Q40	3/4	28	833	84
LM21851	CCF4P20UC64	20	531	5170	109	LM22658	SRF2S1T61Q40	1	28	659	82
LM21852	CCF2P25UC64	25	755	5847	109	LM22659	SRF2S1TC61Q40	1	33	709	84
LM21853	CCF4P25UC64	25	755	6555	109	LM22660	SRF4S1T61Q40	1	28	679	82
LM21854	CCF6P15UC64	15	757	6156	109	LM22661	SRF4S1TC61Q40	1	28	729	84
LM21855	CCF2P30UC64	30	755	6071	109	LM22662	SRF2S1.5T61Q40	1 1/2	28	706	82
LM21856	CCF4P30UC64	30	755	7600	109	LM22663	SRF2S1.5TC61Q40	1	28	755	84
LM21857	CCF6P20UC64	20	757	7447	109	LM22664	SRF4S1.5T61Q40	1 1/2	28	749	82
LM21858	CCF2P40UC64	40	917	8028	110	LM22665	SRF4S1.5TC61Q40	1	36	799	84
LM21859	CCF4P40UC64	40	986	10121	110	LM22666	SRF2S2T61Q40	2	36	759	82
LM21860	CCF6P25UC64	25	1169	9123	109	LM22667	SRF2S2TC61Q40	2	36	812	84
LM21861	CCF2P50UC64	50	989	9988	110	LM22758	SD4P300TS64Y	300	1745	21221	38
LM21862	CCF4P50UC64	50	1072	11781	110	LM22759	SD4P400TS64Y	400	2112	30508	38
LM21863	CCF6P30UC64	30	1169	10254	109	LM22822	AAF6P1.5TC61Q40	1	95	1110	84
LM21864	CCF6P40UC64	40	1123	13157	110	LM22825	AAF6P2TC61Q40	2	104	1184	84
LM21865	CCF2P60UC64	60	1143	11880	110	LM22826	AAF2P3TC61Q40	3	95	1135	84
LM21866	CCF4P60UC64	60	1123	14597	110	LM22827	AAF4P3TC61Q40	3	95	1054	84
LM21867	CCF6P50UC64	50	1123	15094	110	LM22828	AF6P3TC61Q40	3	138	1357	84
LM21868	CCF2P75UC64	75	1708	15563	110	LM22829	AAF2P5TC61Q40	5	104	1300	84
LM21869	CCF4P75UC64	75	1810	18005	110	LM22830	AAF4P5TC61Q40	5	104	1167	84
LM21870	CCF6P60UC64	60	1810	17764	110	LM22832	AF2P7.5TC61Q40	7 1/2	138	1498	84
LM21871	CCF2P100UC64	100	1708	20309	110	LM22833	AAF4P7.5TC61Q40	7 1/2	138	1460	84
LM21872	CCF4P100UC64	100	1810	22186	110	LM22834	AF6P7.5TC61Q40	7 1/2	221	2606	84
LM21873	CCF6P75UC64	75	1810	20915	110	LM22835	AF2P10TC61Q40	10	149	1877	84
LM21877	CCF2P75UC64	75	1708	15564	110	LM22836	AF4P10TC61Q40	10	149	1692	84
LM21878	CCF4P25UC64	25	755	6556	109	LM22837	AF6P10TC61Q40	10	248	2985	84
LM21879	CCF6P15UC64	15	757	6156	109	LM22838	AF2P15TC61Q40	15	221	2185	84
LM21880	CCF2P30UC64	30	755	6071	109	LM22839	AF4P15TC61Q40	15	221	2420	84
LM21881	CCF4P30UC64	30	755	7600	109	LM22840	AF2P20TC61Q40	20	248	3629	84
LM21882	CCF6P20UC64	20	757	7447	109	LM22841	AF4P20TC61Q40	20	248	2786	84
LM21883	CCF2P40UC64	40	917	8029	110	LM22908	CCS2P250TS64	250	2572	39512	100
LM21884	CCF4P40UC64	40	986	10121	110	LM22909	CCS4P300T64	300	2572	34803	100
LM21885	CCF6P25UC64	25	1169	9125	109	LM23769	CCN6G0.75UC64	3/4	108	961	109
LM21886	CCF2P50UC64	50	989	9988	110	LM23781	CCN4P1UCN64	1	108	1149	111
LM21887	CCF4P50UC64	50	1072	11779	110	LM23782	CCF4P2UCN64	2	132	1286	111
LM21888	CCF6P30UC64	30	1169	10254	109	LM23783	CCN4P1.5UCN64	1 1/2	120	1224	111
LM21889	CCF6P40UC64	40	1123	13156	110	LM23784	CCF4P7.5UCN64	7 1/2	385	2542	111
LM21890	CCF2P60UC64	60	1143	11879	110	LM23854	CCF4P3UCN64	3	175	1700	111
LM21891	CCF4P60UC64	60	1123	14597	110	LM23931	SSEW6S7.5T61	7 1/2	208	5623	139
LM21892	CCF6P50UC64	50	1123	15094	110	LM24037	CCN6P1UCN64	1	112	1384	111
LM21893	CCF2P25UC64	25	755	5094	109	LM24057			33	517	366
LM21894	CCF4P75UC64	75	1810	18005	110	LM24058			33	779	366
LM21895	CCF6P60UC64	60	1810	17765	110	LM24059			53	1026	366
LM21896	CCF2P100UC64	100	1708	20309	110	LM24060			98	1240	366
LM21897	CCF4P100UC64	100	1810	22186	110	LM24061			98	1240	366
LM21898	CCF6P75UC64	75	1810	20915	110	LM24062			20	357	366
LM22093				203	375	LM24063			47	465	366
LM22163	SREW6S0.75T61	3/4	33	1292	139	LM24064			53	779	366
LM22188				203	375	LM24065			55	1026	366
LM22207	CC449F4P250T6024	250	2920	73302	229	LM24066			80	1120	366
LM22210	CCS6P350LS64Y	350	5500	37043	100	LM24067			88	1120	366
LM22211	CCS6P400L64Y	400	5500	105955	100	LM24068			98	1240	366
LM22212	CCS4P450LS64Y	450	5500	100749	100	LM24069			98	1240	366
LM22213	CCS4P500LS64Y	500	5500	116926	100	LM24072	CCF4P5UCN64	5	181	2109	111
LM22214	CC5011S8P150LS6024	150	5500	102312	229	LM24073	SRF4S0.5T61	1/2	18	445	43
LM22215	CC5011S8P200LS6024	200	5500	108000	229	LM24074	SRF4S0.5TC61	1/2	18	494	69
LM22216	CC449F6P150T6024	150	2850	79813	229	LM24075	SRF4S0.75T61	3/4	30	478	43
LM22217	CC449F6P200T6024	200	2875	85955	229	LM24076	SRF4S0.75TC61	3/4	20	527	69
LM22218	CC447F4P150T6024	150	2850	63409	229	LM24077	SRF4S0.75TCN61	3/4	21	510	65
LM22219	CC447F4P200T6024	200	2875	67430	229	LM24078	SRF4S1T61	1	27	495	44
LM22220	CC449F4P300T6024	300	2970	82449	229	LM24079	SRF4S1TC61	1	28	546	69
LM22221	CC5011S6P250LS6025	250	5500	87509	229	LM24080	SRF3S1TCN61	1	27	545	66
LM22222	CC5011S6P300LS6024	300	5500	92859	229	LM24081	SRF4S2TC61	2	50	586	70
LM22223	CC5011S6P350LS6024	350	5500	100336	229	LM24083	SRF4S0.5TCN61	1/2	17	492	65
LM22224	CC5011S6P400LS6024TD2	400	5500	106937	229	LM24084	SRF4S2TCN61	2	39	616	66
LM22225	CC5011S4P350LS6024	350	5500	86638	229	LM24093	SRF4S0.33TCN61	1/3	15	403	65
LM22226	CC5011S4P400LX6024TD2	400	5500	89332	229	LM24094	SRF2S1T61	1	24	516	44
LM22227	CC5011S4P450LX6024TD2	450	5500	95055	229	LM24095	SRF4S1.5TC61	1 1/2	31	577	70
LM22423	SSEW2S7.5T61	7 1/2	109	2828	139	LM24096	SRF2S1.5TCN61	1 1/2	26	570	66



Leeson Catalog Number Index

Motors, Sub-FHP Gearmotors, Drives and Accessories

Catalog No.	Model Number	HP	Weight	List \$	Page #	Catalog No.	Model Number	HP	Weight	List \$	Page #
LM24097	SRF4S2T61	2	40	558	45	LM24444	SPA6S0.5TZRY1A6027AP10-1	1/2	19	679	175,200
LM24098	SRD4S0.5T61	1/2	17	391	33	LM24445	SPA4S0.25TZRY1A6027AP11-1	1/4	20	558	175,200
LM24099	SRD4S0.75T61	3/4	20	433	33	LM24446	SPA4S0.5TZRY1A6027AP11-1	1/2	23	679	175,200
LM24102	CCN3BIT61	1	56	799	44	LM24447	SPM4S0.25TZRY1A6027AP10-1	1/4	17	432	175,200
LM24103	SSF6S0.75T61	3/4	29	659	43	LM24448	SPA4S0.33TZRY1A6027AP10-1	1/3	17	475	175,200
LM24104	SRF6S0.5TC61	1/2	24	694	69	LM24449	SPA4S0.5TZRY1A6027AP10-1	1/2	21	526	175,200
LM24105	SRF6S0.5T61	1/2	24	644	43	LM24450	SPA4S0.33TZRY1A6027AP11-1	1/3	23	613	175,200
LM24106	SRD4S2T61	2	36	515	34	LM24457	SPD4S0.25T1C6028	1/4	17	353	7
LM24107	SRF4S0.33T61	1/3	16	389	43	LM24458	SPD4S0.25T1C6028TP1	1/4	17	356	7
LM24108	SSF4PT65	2	45	558	209	LM24462	SPA4S0.33TADN1C6027TP1	1/3	23	545	180
LM24109	SSF4P1T65	1	36	555	209	LM24463	SPA4S0.5TADN1C6027TP1	1/2	23	621	180
LM24110	SRE2S0.75T65	3/4	23	439	209	LM24465	SPD2S0.5T1C6028	1/2	18	321	7
LM24111	SRD4S1T61	1	22	450	33	LM24467	SPD2S0.33T1C6028	1/3	18	290	7
LM24112	SRF4S1.5TCN61	1 1/2	29	578	66	LM24486	SPA4S0.33TZRY1S6001TP2-1	1/3	21	477	185,206
LM24114	SRF4S0.33TC61	1/3	21	439	69	LM24487	SPA4S0.25TZRY1S6001TP2-1	1/4	17	424	185,206
LM24117	SRD4S1.5T61	1 1/2	28	478	34	LM24488	SPN4S0.25TZNY1S6001TP1-1	1/4	10	407	184,205
LM24118	SRF4S1.5T61	1 1/2	30	526	44	LM24491	SPA4/6/1S0.33/0.33TZNY1S6001TP2-1	1/3	18	477	184,205
LM24121	SRF2S2TC61	2	38	684	70	LM24492	SPA4/6/1S0.25/0.25TZNY1S6001TP2-1	1/4	17	424	184,205
LM24124	SSD4P2T65	2	44	566	218	LM24496	SRF6S0.5T1B6028	1/2	36	865	15
LM24125	SSF4P2TC61	2	39	683	66	LM24497	SRF6S0.75T1B6028	3/4	41	1000	16
LM24126	SRF2S1TC61	1	25	566	69	LM24502	SRD4S0.75T1B6028	3/4	26	502	7
LM24127	CCN4B2T61	2	64	897	45	LM24503	SRD4S0.75T1B6028TP2	3/4	25	580	7
LM24128	SRF6S0.5TCN61	1/2	23	663	65	LM24504	SRD4S0.75T1B6028TP1	3/4	18	629	7
LM24129	SRF2S0.51TC61	1/2	22	447	69	LM24505	SRD4S0.75TLCN1B6028	3/4	25	557	21
LM24130	SRF6S1TCN61	1	33	684	66	LM24507	SRD4S2TLCN1B6028	2	48	803	22
LM24131	SRD4S2TCN61	2	33	628	60	LM24513	SSF4S1.5T1B6028	1 1/2	41	702	16
LM24132	SRF2S2TCN61	2	29	650	66	LM24514	SRF3S1.5T1B6028TP2	1 1/2	41	877	16
LM24133	SEF2S0.75T61	3/4	23	439	43	LM24515	SRF3S1.5T1B6028TP1	1 1/2	41	807	16
LM24134	SRF2S0.75TC61	3/4	22	491	69	LM24521	SRF4S1.5TZ1B6028AP9-2	1 1/2	47	847	178
LM24135	SRF2S1.5TC61	1 1/2	41	616	70	LM24523	SRD2S1.5TLCN1B6028	1 1/2	26	610	22
LM24136	SRF6S0.75T61	3/4	28	659	43	LM24524	SRD2S1.5T1B6028	1 1/2	25	586	8
LM24137	SSF4P2TC65	2	47	609	214	LM24525	SRD2S1T1B6028	1	23	415	8
LM24138	SRF2S0.5TCN61	1/2	22	419	65	LM24526	SRD2S1TLCN1B6028	1	24	440	21
LM24139	SRF2S1TCN61	1	24	520	66	LM24527	SRD2S2TLCN1B6028	2	33	799	22
LM24140	SRF6S0.75TC61	3/4	26	709	69	LM24530	SRF2S2TLCN1B6038	2	40	650	25
LM24142	SSF4P1.5T65	1 1/2	48	530	209	LM24531	SRF2S1.5T1B6028	1 1/2	35	665	16
LM24144	SRF2S1.5T61	1 1/2	34	566	44	LM24532	SRF2S1.5T1B6028TP1	1 1/2	35	780	16
LM24146	SRD6S0.5T61	1/2	22	594	33	LM24533	SRF2S1B6028	2	40	869	17
LM24148	SSF4P1TCN61	1	28	629	66	LM24534	SRF2S2T1B6028TP1	2	40	914	17
LM24149	SSF4P1.5TCN61	1 1/2	31	447	66	LM24535	SRF2S1.5TLCN1B6028	1 1/2	35	570	25
LM24151	SRF2S0.75TCN61	3/4	22	439	65	LM24539	SRF2S1.5TLC1B6028	1 1/2	35	701	26
LM24152	SRD4S0.33T61	1/3	15	339	33	LM24540	SRD6S0.33T1C6028TP2	1/3	24	532	7
LM24153	SRF6S0.75TCN61	3/4	26	694	65	LM24542	SRD6S0.5T1C6028	1/2	30	805	7
LM24154	SRF4S.5T65	1/2	22	445	209	LM24543	SRD6S0.75T1C6028	3/4	38	909	7
LM24155	SRD2S1T61	1	24	464	33	LM24544	SRD6S0.5LCN1C6028	1/2	33	837	21
LM24156	SRD4S0.5T62	1/3	17	382	221	LM24545	SRF6S0.25T1C6028	1/4	25	580	15
LM24158	SSF4P1.5TC65	1 1/2	49	580	214	LM24546	SRF6S0.33T1C6028	1/3	28	608	15
LM24159	SRF6S1T61	1	35	665	44	LM24549	SRD4S0.33T1C6028TP2	1/3	18	416	7
LM24160	SRD4S1.5TCN61	1 1/2	27	586	59	LM24550	SRD4S0.33T1C6028TP1	1/3	18	420	7
LM24161	SRD4S0.5T65	1/2	17	391	218	LM24551	SRD4S0.5T1C6028	1/2	22	407	7
LM24162	SRD6S0.75T61	3/4	26	644	33	LM24552	SRD4S0.5T1C6028TP2	1/2	22	475	7
LM24163	SRD4S0.75T62	3/4	23	408	221	LM24553	SRD4S0.5T1C6028TP1	1/2	23	499	7
LM24165	SRF2S0.5T61	1/2	22	397	43	LM24555	SRDAS0.5TLCN1C6028	1/2	21	461	21
LM24169	SSD4B2T6	2	48	610	232	LM24569	SRD4S0.25TLCN1C6028	1/4	17	352	21
LM24169	SSD4BT61	2	48	610	34, 39	LM24570	SRD4S0.33T1C6028	1/3	18	370	7
LM24170	SSD4P1T65	1	34	469	218	LM24571	SRD4S0.33TLCN1C6028	1/3	17	403	21
LM24190	CCD4B15T61	15	300	2526	35	LM24580	SRD4S1T1C6028TP1	1	20	548	8
LM24193	SSD4B10T6	10	155	1403	35, 39, 232	LM24581	SRD4S1T1C6028TP2	1	29	616	8
LM24194	SSD4B7.5T61	7 1/2	121	1256	35, 39, 232	LM24582	SRD4S1T1C6028TP1	1	29	644	8
LM24195	CCF4B5T61	5	117	1227	46	LM24583	SRD4S1.5T1C6028	1 1/2	40	713	8
LM24199	CCD4B20T61	20	350	2415	35, 39, 232	LM24585	SRD4S1.5T1C6028TP1	1 1/2	40	779	8
LM24202	SSD4BT61	5	91	892	35, 39, 232	LM24586	SRD4S1TLCN1C6028	1	29	588	21
LM24207	CCF4B20T61	20	368	3037	47, 54, 232	LM24587	SRD4S1.5TLCN1C6028	1 1/2	39	713	22
LM24208	CCF4B15T61	15	322	2500	47, 54, 232	LM24597	SRF4S0.33T1C6028	1/3	19	397	15
LM24209	CCF4B7.5T61	7 1/2	104	1477	46	LM24598	SRF4S0.33TLCN1C6028	1/3	19	403	24
LM24213	CCF4B10T61	10	213	1922	47	LM24599	SRF4S0.5TLCN1C6028	1/2	24	478	24
LM24219	SSD4P15T65	15	215	1630	218	LM24600	SRF4S0.33T1C6028	1/3	23	440	26
LM24222	SSD4B3T61	3	56	796	35, 39, 232	LM24601	SRF4S0.33T1C6028TP2	1/3	19	464	15
LM24227	SSD4P3T65	3	83	584	218	LM24602	SRF3S0.33T1C6028TP1	1/3	20	453	15
LM24231	SSD4P10T65	10	138	1127	218	LM24603	SRF4S0.5T1C6038TP1	1/2	24	541	15
LM24232	SSD4P20T65	20	233	2048	218	LM24604	SRF2S0.5T1C6028TP1	1/2	24	532	15
LM24234	SSD4P5TCN61	5	93	816	60	LM24606	SRF4S0.25T1C6028	1/4	18	465	15
LM24258	SRN4H0.5T61	1/2	26	647	105	LM24607	SRF4S0.75T1C6028	3/4	30	538	16
LM24259	SRN4H0.5TCN61	1/2	26	702	106	LM24608	SRF4S0.75T1C6028TP2	3/4	30	659	16
LM24262	SRN4H0.75TCN61	3/4	25	772	106	LM24609	SRF4S0.75T1C6028TP1	3/4	30	626	16
LM24264	SRF4S0.5TC61Q20	1/2	24	630	77	LM24610	SRF4S1T1C6028	1	32	621	16
LM24265	SSF8S0.75TC61	3/4	49	1134	69	LM24611	SRF4S1T1C6028TP2	1	32	738	16
LM24266	SRN4H0.75T61	3/4	30	716	105	LM24612	SRF4S1T1C6028TP1	1	32	713	16
LM24267	SRD4S0.75TC61	3/4	20	485	61	LM24613	SRF4S0.75TLCN1C6028	3/4	30	510	24
LM24268	SRN6H0.5T61	1/2	42	848	105	LM24614	SRF4S1TLCN1C6028	1	32	545	25
LM24271	SRF4H1TCN61	1	26	619	106	LM24615	SRF2S0.75TLC1C6028	3/4	30	640	26
LM24273	SSF6S0.75TC61	3/4	28	709	69	LM24616	SRF4S1TLC6028	1	35	723	26
LM24276	SSF8S0.75T61	3/4	49	1084	43	LM24622	SRF4S1.5TLCN1B6028	1 1/2	41	578	25
LM24277	SRDAS0.33TC61	1/3	15	388	61	LM24624	SRD2S2T1B6028	2	35	779	8
LM24280	SSEW6S1T61	1	34	1425	139	LM24627	SRF4S0.5T1C6028	1/2	24	453	15
LM24291	SSF8S0.5T61	1/2	31	946	43	LM24628	SRF4S0.5TLC6028	1/2	24	533	26
LM24295	SRF6S0.5T65	1/2	24	644	209	LM24631				65	366
LM24345	SRD4S2TC61	2	36	626	61	LM24674	SRD2S0.75T1C6028	3/4	21	394	7
LM24346	SRD4S1TC61	1	22	500	61	LM24675	SSD4S1T1C6028	1	33	613	8, 11, 231
LM24347	SRF2S2T61	2	39	634	45	LM24676	SSD2S1.5T1C6028	1 1/2	30	586	8
LM24349	SRF6S1TC61	1		716	69	LM24677	SSD4S2T1B6028	2	49	807	8
LM24354	SRF4S0.75TC65	3/4	21	527	214	LM24678	SS182D4S2T1C6028	2	65	826	11, 231
LM24355	SRF4S0.5TC65	1/2	18	494	214						
LM24442	SPA6S0.25TZRY1A6027AP10-1	1/4	14	516	175,200						
LM24443	SPA6S0.33TZRY1A6027AP10-1	1/3	15	591	175,200						



DC Motors

Gearmotors

Ac / DC Controls

Accessories / Kits

Motors / Factory Options

X-Ref / Index

Tech Information

Terms / Warnings

Other Products

Leeson Catalog Number Index

Motors, Sub-FHP Gearmotors, Drives and Accessories

Catalog No.	Model Number	HP	Weight	List \$	Page #	Catalog No.	Model Number	HP	Weight	List \$	Page #
LM24680	SS184D4S3T1C6028	3	78	888	9,11,231	LM24804	SS215F4S7.5T21B66AP8TP1-1	7 1/2	125	2114	173
LM24681	SS184D2S5T1C6008	5	78	1121	9	LM24805	SSF4S10T1B66AP8TP1	10	150	2384	173
LM24682	SSD4S5T1B6008	5	87	1060	9,11,231	LM24806	SSD2S2T1B6038	2	40	833	8
LM24683	SS15D4S7.5T1B6008	7 1/2	118	1556	9,11	LM24807			2	65	366
LM24683	SS215D4S7.5T1B600	7 1/2	118	1556	231	LM24808			2	65	366
LM24684	SSD4S10T1B6008	10	140	2207	9,11,231	LM24809	SRA4S0.5TZR1S6027TP2-1	1/2	24	645	185, 206
LM24685	SRD4S1.5T1C6028TP1	2	50	895	8	LM24810			2	65	366
LM24687	SSD4S1.5T1C6028	1 1/2	41	678	8,11,231	LM24811			7	65	368
LM24688	SRD2S0.33TLCN1C6028	1/3	16	306	21	LM24812	SRF4S0.75TZADN1C6028TP1-1	3/4	31	644	180
LM24689	SRD2S0.5TLCN1C6028	1/2	17	321	21	LM24813	SRF4S1TZADN1C6028TP-1	1	32	801	180
LM24690	SRD2S0.75TLCN1C6028	3/4	19	416	21	LM24814	SRF4S1.5TZADN1C6028TP1-1	1 1/2	41	1348	180
LM24691	SRD6S0.75TLCN1C6028	3/4	37	935	21	LM24815			7	78	368
LM24692	SSD4S1TLCN1C6028	1	32	639	21	LM24858	SRF6S0.33TCN61	1/3	21	616	65
LM24693	SSD2S2TLCN1B6028	2	40	807	22	LM24866	SPD4S0.25T61	1/4	19	315	33
LM24694	SSD4S2TLCN1B6028	2	50	808	22	LM24867	SRD2S0.33T61	1/3	19	321	33
LM24695	SS184D4S3TLCN1C6028	3	78	918	22	LM24868	SRD6S0.33T61	1/3	22	539	33
LM24696	SSD4S5TLCN1B6008	5	94	1286	22	LM24869	SRD2S0.5T61	1/2	22	339	33
LM24697	SRD4S0.5TLC1C6028	1/2	22	502	23	LM24870	SRD2S0.75T61	3/4	21	400	33
LM24698	SSD4S2TLC1B6028	2	50	765	23	LM24871	SSD4B1T61	1	35	527	33, 39, 232
LM24699	SRD4S0.75TLC1B6028	3/4	26	583	23	LM24872	SRD6S1T61	1	29	613	33
LM24700	SRD4S1TLC1C6028	1	30	665	23	LM24875	SSD4B1.5T61	1 1/2	45	551	34, 39, 232
LM24701	SRD4S1.5TLC1C6028	1 1/2	40	711	23	LM24877	SRD2S2T61	2	25	608	34
LM24705	SRF2S0.33T1C6028	1/3	19	339	15	LM24878	SRD2S3T161	3	33	580	34
LM24706	SRF2S0.5T1C6028	1/2	23	389	15	LM24879	SRD2S0.5TC61	1/2	18	391	61
LM24707	SRF2S0.75T1C6028	3/4	28	432	16	LM24880	SRD4S0.5TC61	1/2	17	440	61
LM24708	SRF2S1TC6028	1	30	507	16	LM24881	SRD6S0.5TC61	1/2	33	645	61
LM24709	SSF4S1T1C6028	1	34	683	16	LM24882	SRD2S0.75TC61	3/4	21	451	61
LM24710	SRF4S1.5T1B6028	1 1/2	39	665	16	LM24883	SRD6S0.75TC61	3/4	26	694	61
LM24711	SSF4S1.5T1B6028	1 1/2	42	702	16	LM24884	SRD2S1TC61	1	24	516	61
LM24712	SRF2S1B6028	2	54	869	17	LM24885	SRD6S1TC61	1	29	663	61
LM24713	SS18F4S21B028	2	54	996	17	LM24887	SRD2S1.5TC61	1 1/2	23	570	61
LM24714	SS14F2S3T1B6008	3	48	936	17	LM24889	SRD4S1.5TC61	1 1/2	28	527	61
LM24715	SSF2S3T1B6028	3	69	1017	17	LM24891	SRD2S2TC61	2	25	629	61
LM24716	SS184F4S3T1C6028	3	99	1164	17	LM24894	SRD2S3TC61	3	33	1990	62
LM24717	SSF2S5T1B6008	5	98	1407	17	LM24909	SRD2S0.33TCN61	1/3	18	326	59
LM24718	SSF4S5T1B6008	5	98	1389	17	LM24910	SRD4S0.33TCN61	1/3	15	358	59
LM24719	DDF2S7.5T1B6008	7 1/2	120	1903	17	LM24911	SRD2S0.5TCN61	1/2	19	346	59
LM24720	SS215F4S7.5T1B6008	7 1/2	133	1837	17	LM24912	SRD4S0.5TCN61	1/2	17	415	59
LM24721	SSF2S10T1B6008	10	138	2335	17	LM24913	SRD6S0.5TCN61	1/2	21	602	59
LM24722	SSF4S10T1B66	10	155	2384	17	LM24914	SRD2S0.75TCN61	3/4	20	407	59
LM24723	SRF4S0.25TLC6028	1/4	17	415	26	LM24915	SRD4S0.75TCN61	3/4	20	463	59
LM24724	SRF2S0.33TLC1C6028	1/3	21	410	26	LM24916	SRD2S1TCN61	1	22	469	59
LM24725	SRF2S0.5TLC1C6028	1/2	23	416	26	LM24917	SRD4S1TCN61	1	22	500	59
LM24726	SRF2S0.75TLC1C6028	3/4	30	469	26	LM24919	SRD2S1.5TCN61	1 1/2	23	545	59
LM24727	SRF2S1TLC1C6028	1	32	539	26	LM24921	SRD2S2TCN61	2	25	628	60
LM24728	SRF2S1.5TLC1B6028	1 1/2	41	854	26	LM24923	SRD2S3TCN61	3	31	671	60
LM24729	SRF2S2TLC1B6028	2	40	920	27	LM24929	SPF4S0.25T61	1/4	17	348	43
LM24730	SSF2S2TLC1B6028	2	40	920	27	LM24930	SPF4S0.33T61	1/3	20	414	43
LM24731	SSF4S2TLC1B6028	2	52	1159	27	LM24931	SRF6S0.33T61	1/3	22	595	43
LM24733	SRN4S0.25TLCN1C6028	1/4	18	371	24	LM24932	SPF4S0.5T61	1/2	23	484	43
LM24734	SRN2S0.33TLCN1C6028	1/3	20	369	24	LM24935	SRF2S3T61	3	51	742	45
LM24735	SFR6S0.33TLCN1C6028	1/3	28	616	24	LM24946	SFR4S0.25TC61	1/4	21	397	69
LM24736	SRF2S0.5TLCN1C6028	1/2	23	419	24	LM24948	SFR6S0.33TC61	1/3	22	647	69
LM24737	SFR6S0.75TLCN1B6028	1/2	36	663	24	LM24949	SSF8S0.5TC61	1/2	31	996	69
LM24738	SRF2S0.75TLCN1C5028	3/4	30	439	24	LM24953	SRF2S3TC61	3	53	791	71
LM24739	SFR60.75TLCN1B6028	3/4	41	695	24	LM24964	SFR4S0.25TCN61	1/4	14	373	65
LM24740	SRF2S1TLCN1C6028	1	31	520	25	LM24965	SSF8S0.5TCN61	1/2	31	996	65
LM24741	SSF4S1TLCN1C6028	1	35	545	25	LM24966	SSF6S0.75TCN61	3/4	29	694	65
LM24742	SS14S2S3TLCN1B6008	3	48	742	25	LM24967	SSF8S0.75TCN61	3/4	49	1134	65
LM24743	SRF2S0.5T1C6028TP1	1/2	23	416	15	LM24975	SRF2S3TCN61	3	40	742	67
LM24744	SRF2S0.75T1C6028TP1	3/4	26	461	16	LM25042	SFR4S0.33TC65	1/3	21	439	214
LM24745	SRF2S1T1C6028TP1	1	31	570	16	LM25043	SRF2S0.5TC65	1/2	22	447	214
LM24746	SSF4S1.5T1B6028TP1	1 1/2	43	807	16	LM25044	SRF2S0.75TC65	3/4	24	491	214
LM24747	SSF2S2T1B6028TP1	2	40	914	17	LM25045	SRF2S1TC65	1	25	566	214
LM24748	SS14S2S3T1B6028TP1	3	48	936	17	LM25046	SFR4S1TC65	1	26	546	214
LM24776	SRN4S0.5T1B6027TP2-1	1/2	21	669	184, 204	LM25047	SRF2S1.5TC65	1 1/2	41	577	214
LM24777	SRA4S1T21B6027TP2-1	1	32	895	184, 204	LM25048	SFR4S1.5TC65	1 1/2	31	577	214
LM24778	SSD2S3-4.5T1Z1B66QS10-1	3-4.5	46	1159	177, 202	LM25049	SRF2S2TC65	2	31	684	214
LM24779	SS18D2S5-7T1Z1C66QS11-1	5-7	76	1430	177, 202	LM25050	SFR4S2TC65	2	50	586	214
LM24780	SSD2S7-10T1Z1B66QS11-1	7-10	102	1897	177, 202	LM25051	SSF4P1TC65	1	41	570	214
LM24781	SSD2S7-9T1Z1C66QS11-1	7-9	88	1536	177, 202	LM25052	SSF2P1.5TC65	1 1/2	41	650	214
LM24782	SS215D2S10-15T1Z1C66QS11-1	10-15	135	2410	177, 202	LM25053	SSF2P2TC65	2	40	741	214
LM24783	SS184D2S5-7T2Z029QS12-1	5-7.5	70	1207	177, 202	LM25054	SRD4S0.33T65	1/3	15	339	218
LM24784	SSD2S7-10T2Z029QS12-1	7.5-10	83	1281	202	LM25055	SRD2S0.5T65	1/2	22	341	218
LM24785	SS215D2S10-15T2Z029QS12-1	10-15	115	1689	177, 202	LM25056	SRD2S0.75T65	3/4	21	401	218
LM24786	SRA2S1T21C6027L10MB6TP2-1	1	29	518	185, 206	LM25057	SRD4S0.75T65	3/4	20	433	218
LM24787	SSA2S1.5T1C6027L10MB6TP2-1	1 1/2	35	588	185, 206	LM25058	SRD2S1T65	1	24	464	218
LM24788	SS145A2S3T1B66L10MB-6TP2-1	3	52	724	185, 206	LM25059	SRD4S1T65	1	22	450	218
LM24789	SFR4S0.33T1C6028AP7TP1	1/3	24	453	171	LM25060	SRD2S1.5T65	1 1/2	23	520	218
LM24790	SFR4S0.5T1C6028AP7TP1	1/2	25	532	171	LM25061	SRD4S1.5T65	1 1/2	28	478	218
LM24791	SFR4S0.75T1C6028AP7TP1	3/4	30	626	171	LM25062	SRD2S2T65	2	25	608	218
LM24792	SFR4S1T1C6028AP7TP1	1	32	715	171	LM25063	SRD4S2T65	2	36	589	218
LM24793	SSF4S1T1C6028AP7TP1	1	35	732	171	LM25064	SRD2S3T65	3	33	580	218
LM24794	SFR4S1.5T1B6028AP7TP1	1 1/2	41	807	171	LM25065	SSD2P1.5T65	1 1/2	28	560	218
LM24795	SSF4S1.5T1B6028AP7TP1	1 1/2	42	807	171	LM25066	SSD4P1.5T65	1 1/2	40	496	218
LM24796	SS182F4S2T1C6027AP7TP1	2	64	1149	171	LM25067	SSD2P2T65	2	28	660	218
LM24797	SS184F4S3T1C66AP7TP1	3	92	1237	171	LM25068	SSD2P3T65	3	33	606	218
LM24798	SSF4S5T1B66AP71TP1	5	90	1618	171	LM25069	SSD2P5T65	5	88	679	218
LM24799	SS215F4S7.5T1B66AP7TP1	7 1/2	130	1996	171	LM25070	SSD4P5T65	5	87	650	218
LM24800	SS182F-4S2T1C6027AP8TP-1	2	67	1134	173	LM25071	SSD2P7.5T65	7 1/2	88	936	218
LM24801	SS184F4S3T1C66AP8TP1	3	85	1299	173	LM25072	SRD4S0.33TC65	1/3	15	388	220
LM24802	SSF4S5TB6008AP8TP1	5	125	1561	173	LM25073	SRD2S0.5TC65	1/2	18	391	220
LM24803	SS213F4S5TZB66AP8TP1	5	126	1940	173	LM25074	SRD4S0.5TC65	1/2	17	440	220
						LM25075	SRD2S0.75TC65	3/4	21	451	220
						LM25076	SRD4S0.75TC65	3/4	20	485	220



Leeson Catalog Number Index

Motors, Sub-FHP Gearmotors, Drives and Accessories

Catalog No.	Model Number	HP	Weight	List \$	Page #	Catalog No.	Model Number	HP	Weight	List \$	Page #
LM25077	SRD2S1TC65	1	24	516	220	LM25738			12	149	366
LM25078	SRD4S1TC65	1	22	500	220	LM25739			20	149	368
LM25079	SRD2S1.5TC65	1 1/2	23	570	220	LM25740			13	192	366
LM25080	SRD4S1.5TC65	1 1/2	28	527	220	LM25962	SSF4P2TC61Q40	2	57	874	84
LM25081	SRD2S2TC65	2	25	629	220	LM25991	SSF4P2T61Q40	2	51	803	82
LM25082	SRD4S2TC65	2	36	626	220	LM26008	SSF4P1.5TC61Q40	1	57	821	84
LM25083	SRD2S3TC65	3	33	629	220	LM26081	SSF4P1TC61Q40	1	52	815	84
LM25084	SSD4P1TC65	1	34	557	220	LM26097	SSF4P1T61Q40	1	46	763	82
LM25085	SSD4P1.5TC65	1 1/2	40	586	220	LM26098	SSF4P1.5T61Q40	1 1/2	51	771	82
LM25086	SSD4P2TC65	2	44	626	220	LM26109	SSN4S1TC61Q15	1	82	3042	80
LM25087	SSD4P3TC65	3	83	734	220	LM26233	SSN4S1.5TC61Q10	1 1/2	65	1537	77
LM25088	SSD4P5TC65	5	93	838	220	LM26278	SSN4S1.5TC61Q15	1 1/2	85	3268	80
LM25089	SSD4P7.5TC65	7 1/2	115	1081	220	LM26285	AAF4P5T62	5	78	943	222
LM25090	SSD4P10TC65	10	138	1330	220	LM26323	SSF6P1TC61Q40	1	57	972	84
LM25091	SSD4P15TC65	15	215	1746	220	LM26334	SSD4P15T62	15	164	1781	221
LM25092	SSD4P20TC65	20	233	2165	220	LM26359	SSN4S1TC61Q10	1	62	1384	77
LM25093	SFR4S0.33T65	1/3	16	389	209	LM26383	SSF6P1T61Q40	1	51	918	82
LM25094	SFR2S0.5T65	1/2	22	397	209	LM26679			10	149	369
LM25095	SFR4S0.75T65	3/4	30	478	209	LM27283	CC5011S8P250LS6024	250	5500	111131	229
LM25096	SFR2S1T65	1	24	516	209	LM27284	CC5013S8P300LS6024	300	5500	128078	229
LM25097	SFR4S1T65	1	27	495	209	LM27285	CC5013S8P350LS6024	350	5500	141032	229
LM25098	SFR2S1.5T65	1 1/2	25	567	209	LM27286	CC5013S6P450LS6024TD2	450	7200	115301	229
LM25099	SFR4S1.5T65	1 1/2	30	526	209	LM27287	CC5013S6P500LS6024TD2	500	7200	122782	229
LM25100	SFR2S2T65	2	39	634	209	LM27288	CC5011S4P600LX6024TD2	600	5500	166951	229
LM25101	SFR4S2T65	2	40	558	209	LM27289	CC5013S4P700LS6024TD2	700	7200	171909	229
LM25102	SSF2P1.5T65	1 1/2	34	598	209	LM27292	CCS6P450LS64Y	450	5500	124119	100
LM25103	SSF2P2T65	2	39	690	209	LM27293	CCS6P500LS64Y	500	7200	143818	100
LM25112	SRN2H1TCN61	1	33	716	106	LM27295	CCS4P700LS64Y	700	7200	171787	92
LM25113	SFR4H1T61	1	28	563	105	LM27576			42	357	368
LM25114	SRN4H0.5TC61	1/2	26	702	106	LM27681			36	258	368
LM25115	SRN4H0.33T61	1/3	22	566	105	LM27884	MD4S50TSC61Y	50	496	5697	96
LM25116	SRN6H0.33T61	1/3	29	768	105	LM27971	SD6S30TCN61YET1	30	537	7988	249
LM25117	SFR4H1TC61	1	29	619	106	LM27976	SD6S30T61YET1	30	535	7459	247
LM25118	SFR6H1TCN61	1	31	766	106	LM28114	SD6P7.5T61ET1	7 1/2	221	3559	246
LM25119	SRN2H0.75TC61	3/4	34	644	106	LM28115	SD6P7.5T6006ET1	7 1/2	221	3559	246
LM25120	SFR2H1.5TCN61	1 1/2	31	671	106	LM28116	SD4P7.5T41ET1	7 1/2	200	3491	246
LM25121	SRN4H0.75TC61	3/4	30	772	106	LM28117	SD4P7.5T4006ET1	7 1/2	200	3491	246
LM25122	SRN6H0.5TCN61	1 1/2	33	902	106	LM28118	SD4P7.5T31ET1	7 1/2	278	3877	246
LM25123	SRN4H0.25T61	1/4	22	532	105	LM28119	SD4P7.5T3006ET1	7 1/2	278	3877	246
LM25124	SRN2H0.33T61	1/3	20	478	105	LM28120	SSD6P10T61ET1	10	214	3956	246
LM25125	SRN2H1TC61	1	41	716	106	LM28121	SD6P10T6006ET1	10	214	3956	246
LM25126	SRN2H0.5T61	1/2	23	514	105	LM28122	SD4P10T41ET1	10	232	3877	246
LM25127	SRN6H0.25T61	1/4	28	760	105	LM28123	SSD4P10T4006ET1	10	232	3877	246
LM25128	SRN4H0.33TCN61	1/3	21	622	106	LM28124	SD4P10T31ET1	10	280	4590	246
LM25129	SRN2H1T61	1	41	662	105	LM28125	SD4P10T3006ET1	10	280	4590	246
LM25130	SFR6H1T61	1	37	710	105	LM28126	SD6S15T61YET1	15	341	4754	246
LM25131	SRN4H0.25TC61	1/4	20	586	106	LM28127	SD6G15T6006YET1	15	338	4754	246
LM25132	SFR4H2TCN61	2	33	766	106	LM28128	SD4P15T41ET1	15	344	4590	246
LM25133	SRN2H0.75T61	3/4	34	588	105	LM28129	SD4P15T4006ET1	15	344	4590	246
LM25134	SRN6H0.5TC61	1 1/2	42	902	106	LM28131	SD4P15T3006ET1	15	392	5375	246
LM25135	SRN6H0.25TC61	1/4	24	816	106	LM28132	SD6S20T61YET1	20	390	5526	247
LM25136	SRN4H0.25TCN61	1/4	19	586	106	LM28133	SD6S20T6006YET1	20	400	5526	247
LM25137	SFR6H0.75TCN61	3/4	29	723	106	LM28134	SD4P20T41ET1	20	385	5375	247
LM25138	SRN6H0.25TCN61	1/4	23	816	106	LM28135	SD4P20T4006ET1	20	385	5375	247
LM25139	SRN2H0.75TCN61	3/4	26	642	106	LM28136	SD4P20T31ET1	20	480	6124	247
LM25140	SFR4H1.5TCN61	1 1/2	31	671	106	LM28137	SD4P20T3006ET1	20	471	6124	247
LM25141	SFR6H0.75TC61	3/4	30	724	106	LM28138	SD6S25T61YET1	25	505	6684	247
LM25142	SFR4H0.75T61	3/4	25	1149	105	LM28139	SD6P25T6006ET1	25	505	6684	247
LM25143	SFR4H1.5TC61	1 1/2	33	672	106	LM28140	SD4P25T41ET1	25	472	6124	247
LM25145	SFR2H2TC61	2	32	766	106	LM28141	SD4P25T4006ET1	25	472	6124	247
LM25146	SFR2H3TC61	3	45	852	106	LM28142	SD4P25T31ET1	25	538	6956	247
LM25147	SFR4H1.5T61	1 1/2	32	616	105	LM28143	SD4P25T3006YET1	25	525	6956	247
LM25148	SFR6H0.75T61	3/4	29	669	105	LM28144	SD6S30T6006YET1	30	552	7459	247
LM25149	SRN4H0.33TC61	1/3	22	622	106	LM28145	SD4P30T41ET1	30	516	6827	247
LM25150	SFR6H1TC61	1	37	766	106	LM28146	SD4P30T4006ET1	30	516	6827	247
LM25151	SRN2H0.5TC61	1/2	25	566	106	LM28147	SD4P30T31ET1	30	575	8356	247
LM25152	SFR2H3T61	3	44	796	105	LM28148	SD4P30T3006ET1	30	575	8356	247
LM25153	SRN2H0.33TC61	1/3	20	533	106	LM28149	SD6S40T61YET1	40	755	9429	247
LM25154	SRN2H0.5TCN61	1/2	23	566	106	LM28150	SD6S40T6006YET1	40	755	9429	247
LM25155	SRN6H0.33TCN61	1/3	26	823	106	LM28151	SD4P40T41ET1	40	715	8356	247
LM25156	SFR4H2TC61	2	46	766	106	LM28152	SD4P40T4006ET1	40	715	8356	247
LM25157	SFR2H3TCN61	3	39	852	106	LM28153	SD4P40T31ET1	40	783	9309	247
LM25158	SRN2H0.33TCN61	1/3	21	533	106	LM28154	SD4P40T3006ET1	40	783	9309	247
LM25159	SFR4H2T61	2	46	710	105	LM28155	SD6S50T61YET1	50	800	9686	247
LM25160	SFR2H1.5T61	1 1/2	27	616	105	LM28156	SD6S50T6006YET1	50	800	9686	247
LM25161	SFR2H2T61	2	31	710	105	LM28157	SD4P50T41ET1	50	765	9309	247
LM25163	SFR2H1.5TC61	1 1/2	27	672	106	LM28158	SD4P50T4006ET1	50	765	9309	247
LM25164	SRN6H0.33TC61	1/3	29	823	106	LM28159	SD4P50T31ET1	50	964	12374	247
LM25165	SFR2H2TCN61	2	33	766	106	LM28160	SD4S50T3006YET1	50	964	12374	247
LM25203	CCFP2P5UCN64	5	181	1558	111	LM28161	SD6P60T61YET1	60	888	10954	247
LM25419	SREW6S0.5T61	1/2	28	1261	139	LM28162	SD6P60T6006YET1	60	888	10954	247
LM25420	SREW6S1T61	1	34	1424	139	LM28163	SD4P60T41ET1	60	870	10517	247
LM25421	SSEW6S1.5T61	1 1/2	35	2078	139	LM28164	SD4P60T4006ET1	60	870	10517	247
LM25422	SSEW6S2T61	2	70	2295	139	LM28165	SD4P60T31ET1	60	1277	14971	247
LM25423	SSEW6S3T61	3	109	2881	139	LM28166	SD4P60T3006ET1	60	1277	14971	247
LM25424	SSEW6S5T61	5	125	3793	139	LM28167	SD6P75T61YET1	75	943	12900	247
LM25496	CCFP2P2UCN64	2	132	1167	111	LM28168	SD6P75T6006YET1	75	943	12900	247
LM25599	SRD6S0.5T62	1/2	22	547	221	LM28169	SD4P75T41ET1	75	960	12374	247
LM25632			2	203	375	LM28170	SD4P75T4006ET1	75	960	12374	247
LM25637	CCN4B1.5T61	1 1/2	62	852	44	LM28200	SD6P7.5TCN61ET1	7 1/2	150	3665	248
LM25638	CCF4B3T61	3	82	1119	45	LM28201	SD6P7.5TCN6006ET1	7 1/2	150	3665	248
LM25667	CCF6P3UCN64	3	181	2071	111	LM28202	SD4P7.5TCN31ET1	7 1/2	225	3981	248
LM25736			12	126	366	LM28203	SD4P7.5TCN3006ET1	7 1/2	225	3981	248
LM25737			15	149	366	LM28204	SSD6P10TCN61ET1	10	202	4061	248



DC Motors

Gearmotors

Ac / DC Controls

Accessories / Kits

Motors / Factory Options

X-Ref / Index

Tech Information

Terms / Warnings

Other Products

Leeson Catalog Number Index

Motors, Sub-FHP Gearmotors, Drives and Accessories

Catalog No.	Model Number	HP	Weight	List \$	Page #	Catalog No.	Model Number	HP	Weight	List \$	Page #
LM28205	SD6P10TCN6006ET1	10	202	4061	248	LM30098	SSD2P25/30T61YE2	30	235	2463	243, 245
LM28206	SD4P10TCN31ET1	10	355	4772	248	LM30099	CCD2P30/40T6006YE2	40	320	3172	244, 245
LM28207	SD4P10TCN3006ET1	10	355	4772	248	LM30100	CCD2P30/40T61YE2	40	322	3172	244, 245
LM28208	SD6P15TCN61ET1	15	330	4936	248	LM30101	CCD2P40/50T6006YE2	50	460	4052	244, 245
LM28209	SD6S15TCN6006YE1	15	330	4936	248	LM30102	CCD2P40/50T61YE2	50	462	4052	244, 245
LM28210	SD4P15TCN31ET1	15	388	5557	248	LM30138	CCD4P25TC65	25	350	2986	220
LM28211	SD4S15TCN3006ET1	15	388	5557	248	LM30139	CCD4P30TC65	30	396	3433	220
LM28212	SD6S20TCN61YE1	20	379	5924	248	LM30146			15	174	369
LM28213	SD6S20TCN6006YE1	20	379	5924	248	LM30147			26	258	369
LM28214	SD4P20TCN31ET1	20	480	6426	248	LM30273	CCD6B20T61Y	20	462	3795	35
LM28215	SD4S20TCN3006YE1	20	480	6426	248	LM30535	SD4S15T31YE1	15	392	5375	246
LM28216	SD6S25TC61YE1	25	499	7194	248	LM30561				738	249
LM28217	SD6P25TCN6006ET1	25	499	7194	248	LM30572	AN4S10TC61Q15	10	235	4914	80
LM28218	SD4P25TCN31ET1	25	533	7735	248	LM30647	SD4P50T61ET1	50	522	7059	247
LM28219	SD4P25TCN3006ET1	25	533	7735	248	LM30648	SD4P50T6006ET1	50	522	7059	247
LM28220	SD6S30TCN6006YE1	30	557	7988	249	LM30649	SD4P60T61ET1	60	715	8691	247
LM28221	SD4P30TCN31ET1	30	720	8844	249	LM30650	SD4P60T6006ET1	60	715	8691	247
LM28222	SD4P30TCN3006ET1	30	720	8844	249	LM30651	SD4P75T61ET1	75	765	9686	247
LM28223	SD6P40TCN61ET1	40	724	9698	249	LM30652	SD4P75T6006ET1	75	765	9686	247
LM28224	SD6P40TCN6006ET1	40	724	9698	249	LM30655	SD4P7.5TCN41ET1	7 1/2	145	3595	248
LM28225	SD4P40TCN31ET1	40	775	9980	249	LM30663	SD4P7.5TCN4006ET1	7 1/2	145	3595	248
LM28226	SD4P40TCN3006ET1	40	775	9980	249	LM30676	SD6P12.5T6006YE1	12 1/2	338	4725	246
LM28227	SD6P50TCN61ET1	50	775	10174	249	LM30677	SD4P12.5T31ET1	12 1/2	365	4983	246
LM28228	SD6P50TCN6006ET1	50	775	10174	249	LM30678	SD4P12.5T3006ET1	12 1/2	365	4983	246
LM28501			85	1026	368	LM30679	SD4P15T61ET1	15	233	3956	246
LM28624			78	517	368	LM30680	SD4P15T6006ET1	15	233	3956	246
LM28867	SSD4G10/15T6006YE2	15	128	1135	243	LM30681	SD4P20T61ET1	20	240	4356	246
LM28867	SSD4G10/15T6006YE2	10	128	1135	245	LM30682	SD4P20T6006ET1	20	240	4356	246
LM28868	SSD4S10/15T61YE2	15	124	1135	243, 245	LM30702	SD4S30TCN61YE1	30	397	5708	249
LM28869	SSD4P10/15T65YE2	15	128	1135	243, 245	LM30720	SD4P25T61ET1	25	350	4754	247
LM28873	SSD4G15/20T6006YE2	20	203	1548	243, 245	LM30721	SD4P25T62ET1	25	350	4754	247
LM28874	SSD4G15/20T61YE2	20	205	1548	243, 245	LM30722	SD4P30T61ET1	30	400	5526	247
LM28875	SSD4P15/20T65YE2	20	203	1548	243, 245	LM30723	SD4P30T62ET1	30	400	5526	247
LM28879	SSD4G20/25T6006YE2	25	233	1957	243, 245	LM30724	SD4P40T61ET1	40	470	6327	247
LM28880	SSD4G20/25T61YE2	25	233	1957	243, 245	LM30725	SD4P40T62ET1	40	470	6327	247
LM28881	SSD4P20/25T65YE2	25	233	1957	243, 245	LM30727	SD4P125T61YQ40	125	958	9704	85
LM28897	SD4G40/50T6006YE2	50	550	4013	244, 245	LM30732	SD4P10TCN41ET1	10	230	3981	248
LM28898	SD4G40/50T61YE2	50	552	4013	244, 245	LM30733	SD4P10TCN4006ET1	10	230	3981	248
LM28899	SD4G40/50T65YE2	50	550	4013	244, 245	LM30734	SD4P12.5TCN61ET1	12 1/2	305	4538	248
LM28903	SD4G50/60T6006YE2	60	519	4458	244, 245	LM30735	SD4P12.5TCN6006ET1	12 1/2	305	4538	248
LM28904	SD4G50/60T61YE2	60	530	4458	244, 245	LM30736	SD4P12.5TCN3006ET1	12 1/2	355	5164	248
LM28905	SD4G50/60T65YE2	60	519	4458	244, 245	LM30737	SD4P12.5TCN3006ET1	12 1/2	355	5164	248
LM28909	SD4G60/75T6006YE2	75	693	5519	244, 245	LM30739	SD4P20TCN41ET1	20	396	5557	248
LM28910	SD4S60/75T61YE2	75	709	5519	244, 245	LM30740	SD4P20TCN6006ET1	20	396	5557	248
LM28911	SD4G60/75T65YE2	75	709	5519	244, 245	LM30746	SD4P50TCN61ET1	50	532	7363	249
LM28914	SD4G75/100T61YE2	100	754	5780	244, 245	LM30747	SD4P50TCN6006ET1	50	532	7363	249
LM28915	SD4P75/100T65YE2	100	754	5780	244, 245	LM30748	SD4P15TCN61ET1	15	220	4061	248
LM28918	SSD4P5T6006YE1	5	68	580	244	LM30749	SD4P15TCN6006ET1	15	220	4061	248
LM28919	SSD4P5T61YE1	5	89	580	244	LM30750	SD4P15TCN41ET1	15	355	4772	248
LM28920	SSD4P5T65YE1	5	79	580	244	LM30751	SD4P15TCN4006ET1	15	355	4772	248
LM28921	SSD4S7.5T6006EH1	7 1/2	98	653	244	LM30752	SD4P20TCN61ET1	20	249	4461	248
LM28922	SSD4S7.5T61EH1	7 1/2	101	653	244	LM30753	SD4P20TCN6006ET1	20	249	4461	248
LM28923	SSD4S7.5T65YE1	7 1/2	98	653	244	LM30754	SD4P25TCN41ET1	25	480	6426	248
LM28924	SSD4S10T6006EH1	10	112	962	244	LM30755	SD4P25TCN4006ET1	25	480	6426	248
LM28925	SSD4S10T61EH1	10	115	962	244	LM30756	SD4P30TCN41ET1	30	532	7129	249
LM28926	SSD4S10T65YE1	10	112	962	244	LM30757	SD4P30TCN4006ET1	30	532	7129	249
LM28968	AF2B7.5T61	7 1/2	127	1481	46	LM30758	SD4P40TCN41ET1	40	715	8844	249
LM29441	SS145F2S3TLC1B6008TP1	3	48	1023	27	LM30760	SD4P25TCN6006ET1	25	355	5006	248
LM29576	CCD4B25T61Y	25	350	3083	36	LM30762	SD4P30TCN6006ET1	30	397	5708	249
LM29577	CCD4B30T61Y	30	400	3573	36	LM30763	SD4P40TCN61ET1	40	480	6631	249
LM29579	CCD4P25T61YQ40	25	350	3140	85	LM30764	SD4P40TCN6006ET1	40	480	6631	249
LM29581	CCD4P25T65Y	25	350	2777	218	LM30765	SD4P40TCN4006ET1	40	715	8844	249
LM29656	SD2S15Z6006YE3	15	110	1058	251	LM30826	CCF6P250T64Y	250	3408	35921	51
LM29657	SD2S15Z61YE3	15	110	1058	251	LM30881				872	249
LM29658	SD2S15Z65YE3	15	110	1058	251	LM31014			15	192	368
LM29659	SD2S20Z6006YE3	20	112	1085	251	LM31019			35	357	368
LM29660	SD2S20Z61YE3	20	112	1085	251	LM31049	CC449S4P300T64PYCR1	300	0	37518	242
LM29661	SD2S20Z65YE3	20	112	1085	251	LM31244	CCD6B15T61Y	15	420	3159	35
LM29662	SD2S25Z6006YE3	25	115	1181	251	LM31245	CCD4B25TC61Y	25	428	3380	63
LM29663	SD2S25Z61YE3	25	115	1181	251	LM31246	SD4B30TC61Y	30	400	4091	63
LM29664	SD2S25Z65YE3	25	115	1181	251	LM31247	CCD6B15T61Y	15	420	3365	62
LM29665	SD2S30Z6006YE3	30	119	1317	251	LM31248	CCD6B20TC61Y	20	462	3766	62
LM29666	SD2S30Z61YE3	30	119	1317	251	LM31393	SD6P12.5T61ET1	12 1/2	338	4725	246
LM29667	SD2S30Z65YE3	30	119	1317	251	LM31434	AF6P5TC61Q40	5	149	1958	84
LM29668	SD2S40Z6006YE3	40	132	1688	251	LM31463	AN4S7.5TC61Q15	7 1/2	155	4670	80
LM29669	SD2S40Z61YE3	40	132	1688	251	LM31607	SD4P25TCN61ET1	25	355	5006	248
LM29670	SD2S40Z65YE3	40	132	1688	251	LM31752				738	249
LM29671	SD2S50Z6006YE3	50	143	1925	251	LM31777			12	566	251
LM29672	SD2S50Z61YE3	50	143	1925	251	LM31961	CCB6S15T61Q15	15	490	10464	81
LM29673	SD2S50Z65YE3	50	143	1925	251	LM32284			78	779	368
LM29850	CCD4G25/30T6006YE2	30	300	2986	243, 245	LM32285			78	819	368
LM29851	CCD4G25/30T61YE2	30	318	2586	243, 245	LM32286			78	819	368
LM29852	CCD4G30/40T6006YE2	40	450	2999	244, 245	LM32288			85	1078	368
LM29853	CCD4G30/40T61YE2	40	600	2999	244, 245	LM32290			96	1112	368
LM29854	CCD4G25/30T65YE2	30	300	2586	243, 245	LM32291			96	1112	368
LM29855	CCD4G30/40T65YE2	40	653	2999	244, 245	LM32292			98	1229	368
LM29865	CCD4P30T65Y	30	400	3222	218	LM32293			98	1229	366
LM29936	CCD4P30T61YQ40	30	400	3573	85	LM32293			98	1229	366
LM30091	SSD2P10/15T6006YE2	15	114	1236	243, 245	LM32396			1	151	376
LM30092	SSD2P10/15T61YE2	15	149	1236	243, 245	LM32397			1	151	376
LM30093	SSD2P15/20T6006YE2	20	135	1615	243, 245	LM32398			1	151	376
LM30094	SSD2P15/20T61YE2	20	138	1615	243, 245	LM32399			1	176	376
LM30095	SSD2P20/25T6006YE2	25	128	2048	243, 245	LM32401			1	200	376
LM30096	SSD2P20/25T61YE2	25	134	2048	243, 245	LM32402			1	250	376
LM30097	SSD2P25/30T6006YE2	30	235	2463	243, 245	LM32403			1	302	376



Leeson Catalog Number Index

Motors, Sub-FHP Gearmotors, Drives and Accessories

Catalog No.	Model Number	HP	Weight	List \$	Page #	Catalog No.	Model Number	HP	Weight	List \$	Page #
LM32405			1	352	376	LM32785	CCD4B24TSC61Y	25	447	3380	63
LM32407			1	401	376	LM32786	CCD4B30TSC61Y	30	400	3914	63
LM32409			1	598	376	LM32787	SD4B60TSC61Y	60	724	9455	63
LM32411			1	1050	376	LM32788	SD4B100TSC1Y	100	898	9867	63
LM32649	SSD4B10TC61	10	138	1516	62	LM32789	SD4B150TSC64Y	150	1298	15057	63
LM32651	SD4B40/50T61YEH2	50	554	4595	244, 245	LM32790	SSD4P1TCN61	1	27	570	59
LM32652	SF4B40TSC61Y	40	574	7294	73	LM32791	SSD4P1.5TCN61	1 1/2	29	668	59
LM32653	SF4B75TC61Y	75	834	11919	73	LM32792	SSD4P2TCN61	2	35	715	60
LM32654	AF4B25TSC61Y	25	370	3855	72	LM32793	SSD2P3TCN61	3	33	765	60
LM32655	SPD4B50TSC61Y	50	532	6755	63	LM32794	SSD4P3TCN61	3	63	745	60
LM32656	SD4B75TSC61Y	75	775	9675	63	LM32796	SSF4B1T61	1	41	718	44
LM32657	SD4B125TSC61Y	125	974	11248	63	LM32798	AAF8P1.5T61	1 1/2	71	1428	44
LM32659	SF4B100TSC61Y	100	1372	14407	74	LM32799	AF8P2T61	2	101	1694	45
LM32660	SF4B200TSC64Y	200	1525	27128	74	LM32800	SSD4P7.5TCN61	7 1/2	95	1155	60
LM32661	SSD4B15/20T61YEH2	15	207	1772	245	LM32801	SSD4P10TCN61	10	128	1454	60
LM32662	AAF8P1T61	1	64	1205	44	LM32802	SSF6B2T61	5	140	1551	46
LM32663	SF4B50/60T61YEH2	60	535	5103	244, 245	LM32803	AF8P5T61	5	159	2521	46
LM32664	AF8P3T61	3	119	1795	45	LM32804	SSF2B7.5T61	7 1/2	109	1344	46
LM32665	SF4B60TSC61Y	60	777	9592	73	LM32805	SSF4B7.5T61	7 1/2	115	1158	46, 54, 232
LM32666	SSD4B7.5C61	7 1/2	115	1231	62	LM32806	S6B15TC61Y	15	355	3198	62
LM32669	SF2B50T61Y	50	558	7346	49	LM32807	AF8P7.5T61	7 1/2	195	2983	46
LM32670	SD4P30T62	30	325	3750	221	LM32808	SSF2B10T61	10	172	1709	47
LM32671	SF2B40T61Y	40	535	7036	49	LM32809	SSF4B10T61	10	135	1431	232
LM32672	SF4B75TS61Y	75	822	11295	50	LM32809	SSF4B10T61	10	135	1431	47, 54
LM32673	SD4P60/75T61YEH2	60	713	6320	245	LM32810	SSF2P1.5TCN61	1 1/2	27	648	66
LM32674	SD4B50T61Y	50	522	6966	36	LM32811	AFB25T61Y	25	433	4367	48
LM32675	SSD4P20T62	20	200	2126	221	LM32812	AF4B25T61Y	25	363	3713	48
LM32676	SF4B60TS61Y	60	765	9856	49	LM32813	AF2B30T61Y	30	438	4766	48
LM32677	SDB200TSC64Y	200	1470	17448	64	LM32814	AF4B30TS61Y	30	408	4263	48
LM32678	SSF2P2TCN61	2	45	745	66	LM32815	SF4B50T61Y	50	558	7012	49
LM32679	SF4B150TS64Y	150	1504	21158	51	LM32816	SF2B60T61Y	60	765	10683	49
LM32680	SD4P40T62	40	378	4086	221	LM32818	SF2B100T61Y	100	1002	16494	50
LM32681	SSD4P10T62	10	120	1252	221	LM32819	SF4B100TS61Y	100	1052	13646	50
LM32682	SDB60T61Y	60	522	6486	36	LM32820	SF4B125TS64Y	125	1351	18241	50
LM32683	SD2P30TS62	30	285	3784	221	LM32821	SF4B200TS64Y	200	1504	26167	51
LM32684	SD4B40TSC61Y	40	479	5099	63	LM32822	SSF4B1TC61	1	41	741	69
LM32685	CCS2B50TS61Y	50	732	8762	100	LM32823	SSF6B1TC61	1	48	884	69
LM32686	SF4B40TS61Y	40	504	7490	49	LM32824	SSF2B1.5TC61	1 1/2	41	745	70
LM32687	SD2B30T61Y	30	348	5973	36	LM32825	SSF4B1.5TC61	1 1/2	44	775	70
LM32688	SSD8P3T61	3	134	1763	34	LM32826	SSF6B1.5TC61	1 1/2	54	1043	70
LM32690	AF4P10T62	10	126	1457	223	LM32827	AAF8P1.5TC61	1 1/2	75	1525	70
LM32691	AF4P15T62	15	152	2344	223	LM32828	SSF2B2TC61	2	40	849	70
LM32692	AAF8P1TC61	1		1269	69	LM32829	SSF4B2TC61	2	46	841	70
LM32726	SSDB1T61	1	48	745	33	LM32830	SSF6B2TC61	2	56	1116	70
LM32727	SSD2B1.5T61	1 1/2	28	626	34	LM32831	AAF8P2TC61	2	107	1802	70
LM32728	SSD8P1.5T61	1 1/2	88	1128	34	LM32832	SSF2P15TCN61	15	125	2283	68
LM32729	SF2B75T61Y	75	822	11592	50	LM32833	SSF6B3TC61	3	90	1395	71
LM32730	SSD8P2T61	2	115	1482	34	LM32834	AF8P3TC61	3	125	1905	71
LM32731	SSD2B3T61	3	33	677	34	LM32835	SSF6B5TC61	5	149	1658	71
LM32733	SSD6B3T61	3	104	1222	34	LM32836	AF8P5TC61	5	167	2666	71
LM32734	SSD2B5T61	5	88	725	35	LM32837	SSF2B7.5TC61	7 1/2	110	1452	71
LM32735	SSD6B5T61	5	135	1329	35	LM32838	SSF4B7.5TC61	7 1/2	135	1378	71
LM32736	SSD8P5T61	5	175	2437	35	LM32839	AF8P7.5TC61	7 1/2	203	3133	71
LM32737	SSD2B7.5T61	7 1/2	88	1028	35	LM32840	SSF2B10TC1	10	125	1817	72
LM32738	SSD6B7.5T61	7 1/2	150	1641	35	LM32841	SSF4B10TC61	10	135	1522	72
LM32740	SSD2B10T61	10	138	1314	35	LM32842	AF430TSC61Y	30	415	5039	73
LM32741	SSF4B3T61	3	77	1261	45, 54, 232	LM32843	SF4B50TSC61Y	50	568	7018	73
LM32743	SSD2B15T61	15	135	1756	35	LM32844	SF4B125TSC64Y	125	1372	19183	74
LM32746	SSD4B20T61	20	233	2294	35	LM32845	SF4B150TSC64Y	150	1525	22092	74
LM32748	CCD4B25TS61Y	25	348	3083	36	LM32846	SSF6P1TCN61	1	33	783	66
LM32749	CCD4B39TS61Y	30	400	3573	36	LM32847	SSF6S1.5TCN61	1 1/2	69	924	66
LM32750	SD2B40T61Y	40	389	6328	36	LM32848	SSF2S3TCN61	3	40	850	67
LM32751	SD4B40TS61Y	40	469	5925	36	LM32850	SSF6P3TCN61	3	75	1292	67
LM32752	SD2B50T61Y	50	469	6392	36	LM32851	SSF6P5TCN61	5	80	1751	67
LM32753	SD4B60TS61Y	60	712	9518	36	LM32852	SSF2P7.5TCN61	7 1/2	80	1409	67
LM32754	SD2B75T61Y	75	712	1046	37	LM32853	SSF4P7.5TCN61	7 1/2	103	1237	67
LM32755	SD4B75TS61Y	75	763	9742	37	LM32854	SSF2P10TCN61	10	102	1817	67
LM32756	SD2B100T61Y	100	763	10945	37	LM32855	SSF4P10TCN61	10	135	1487	67
LM32757	SD4B100TS61Y	100	882	10004	37	LM32856	CCS4B1T61	1	59	863	91
LM32758	SD2B125T61Y	125	882	12474	37	LM32857	CCS6B1T61	1	57	1075	91
LM32759	SD4B125TS61Y	125	958	10303	37	LM32858	CCS2B1.5T61	1 1/2	56	1048	91
LM32760	SD4B150TS64Y	150	277	15178	37, 62	LM32859	CCS4B1.5T61	1 1/2	62	899	91
LM32761	SD4B200TS64Y	200	1449	18668	37	LM32860	CCS6B1.5T61	1 1/2	112	1107	91
LM32762	SSD4B1TC61	1	34	624	61	LM32861	CCS2B2T61	2	71	1115	91
LM32763	SSD6B1TC61	1	48	802	61	LM32862	CCS4B2T61	2	64	961	91
LM32764	SSD2B1.5TC61	1 1/2	28	683	61	LM32863	CCS6B2T61	2	126	1210	91
LM32765	SFD4S1.5TC61	1 1/2	40	656	61	LM32864	CCS2B3T61	3	107	1230	91
LM32766	SSD6B1.5TC61	1 1/2	80	1011	61	LM32865	CCS6B3T61	3	173	1549	91
LM32767	SSD2B2TC61	2	28	795	61	LM32866	CCS2B5T61	5	108	1460	91
LM32768	SSD4B2TC61	2	44	701	61	LM32867	CCS6B5T61	5	203	2117	91
LM32769	SSD6B2TC61	2	74	995	61	LM32868	CCS2B7.5T61	7 1/2	192	1765	91
LM32770	SSD2B3TC61	3	33	733	62	LM32869	CCS4P7.5T61	7 1/2	223	1666	91
LM32771	SSD4B3TC61	3	83	838	62	LM32870	CCS2B10T61	10	218	2054	91
LM32772	SSD6B3TC61	3	104	1207	62	LM32871	CCS6B10T61	10	368	3534	91
LM32773	SSD2B5TC61	5	83	881	62	LM32872	CCS2B15T61	15	384	2716	91
LM32774	SSD4BTC61	5	93	939	62	LM32873	CCS4B15T61	15	322	2637	91
LM32775	SSD6B5TC61	5	135	1454	62	LM32874	CCS6B15T61	15	483	4913	91
LM32776	SSDB7.5TC61	7 1/2	105	1303	62	LM32875	CCS2B20T61	20	385	3335	91
LM32777	SSD6B7.5TC61	7 1/2	150	1804	62	LM32876	CCS4B20T61	20	368	3400	91
LM32778	SSD2B10TC61	10	138	1440	62	LM32877	CCS6B20T61Y	20	515	5761	91
LM32780	SSD2B15TC61	15	135	1889	62	LM32878	CCS2B25TS61Y	25	461	4548	91
LM32781	CCD4B15TC61	15	326	2383	62	LM32879	CCS4B25T61Y	25	495	4002	91
LM32782	CCD2B20TC61	20	300	2383	62	LM32880	CCS6P25T61Y	25	637	7106	91
LM32783	SSD4B20TC61	20	233	2468	62	LM32881	CCS2B30TS61Y	30	496	5395	91
LM32784	CCD2B25TC61	25	420	2875	63	LM32882	CCS4B30T61Y	30	519	4729	91



DC Motors

Gearmotors

Ac / DC Controls

Accessories / Kits

Mods / Factory Options

X-Ref / Index

Tech Information

Terms / Warnings

Other Products

Leeson Catalog Number Index

Motors, Sub-FHP Gearmotors, Drives and Accessories

Catalog No.	Model Number	HP	Weight	List \$	Page #	Catalog No.	Model Number	HP	Weight	List \$	Page #
LM32883	CCS6B30T61Y	30	689	8207	91	LM33171	AF8P5T65	5	165	2543	210
LM32884	CCS2B40T561Y	40	664	6821	91	LM33247	SSD4P7.5T65	7 1/2	121	918	218, 221
LM32885	CCS4B40T61Y	40	602	6245	91	LM33262	SSF2B3T61	3	75	1008	45
LM32886	CCS6B40T61Y	40	835	10468	91	LM33263	SSF2B5TC61	5	83	1127	46
LM32887	CCS4B50T61Y	50	692	7272	100	LM33266	SSF4BT61	5	87	976	46, 54, 232
LM32888	CCS6B50T61Y	50	955	12375	100	LM33309	CCD2B25T61	25	310	2693	36
LM32889	CCS2B60T561Y	60	918	11171	100	LM33314	CCD8P7.5T61	7 1/2	281	3102	35
LM32890	CCS4B60T61Y	60	980	11758	100	LM33315	CCD2B20T61	20	296	2211	35
LM32891	CCS6B60T61Y	60	1156	14180	100	LM33337	SSF4P3TCN61	3	67	770	67
LM32892	CCS2B75T561Y	75	1001	14159	100	LM33484	AAF4B3TC61AP26	5	104	1167	71
LM32893	CCS4B75T61Y	75	1018	13340	100	LM33485	AAF4B3TC61AP26	3	75	1007	71
LM32894	CCS6B75T61Y	75	1280	17296	100	LM33486	AAF4B3T61AP26	3	83	928	45
LM32895	CCS2B100T561Y	100	1296	18796	100	LM33487	AAF4B5T61AP26	5	104	1086	46
LM32896	CCS4B100T61Y	100	1338	16134	100	LM33488	AAF4P5T65AP26	5	88	864	210
LM32897	CCS6B100T64Y	100	1874	22183	100	LM33489	AAF4P5TCN61AP26	5	104	941	67
LM32898	CCS2B125T564Y	125	1874	23177	100	LM33490	AAF4P5TC65AP26	5	104	941	214
LM32899	CCS4B125T64Y	125	1874	20545	100	LM33491	AAN4S3TC61Q15AP26	3	110	3643	80
LM32900	CCS6B125T64	125	2042	26750	100	LM33492	AAN4S3TC61Q10AP26	3	94	1941	77
LM32901	CCS2B150T564Y	150	2099	28148	100	LM33553	CCD6B250T64Y	250	2345	33205	38
LM32902	CCS4B150T64Y	150	2070	26673	100	LM33555	CCD6B10T61	10	310	2450	35
LM32903	CCS6B150T64Y	150	2042	30387	100	LM33560	AAF8P1T61AP26	1	64	1205	44
LM32904	CCS2B200T564Y	200	2332	35631	100	LM33561	AAF6B1.5T61AP26	1 1/2	83	972	44
LM32905	CCS4B200T64Y	200	2305	30347	100	LM33562	AAF8P1.5T61AP26	1 1/2	71	1428	44
LM32906	CCS6B200T64Y	200	3087	36293	100	LM33563	AAF6B2T61AP26	2	92	1081	45
LM33029	CCS4B100T64PYRBT1	100	1338	18990	242	LM33564	AAF2B3T61AP26	3	83	1283	45
LM33030	CCS6B100T64PYRBT1	100	1690	25194	242	LM33565	AAF2B6T61AP26	5	89	1376	46
LM33031	CCS4B125T64PYRBT1	125	1727	24443	242	LM33566	AAF8P1TC61AP26	1		1269	69
LM33032	CCS6B125T64PYRBT1	125	1960	30284	242	LM33567	AAF6B1.5TC61AP26	1 1/2	95	1048	70
LM33033	CCS4B150T64PYRBT1	150	2090	28412	242	LM33568	AAF8P1.5TC61AP26	1 1/2	75	1525	70
LM33034	CCS6B150T64PYRBT1	150	2458	33374	242	LM33569	AAF6B2TC61AP26	2	104	1158	70
LM33035	CC449B4P200T64PYCR1	200	2345	33629	242	LM33570	AAF2B3TC61AP26	3	95	1147	71
LM33036	CCS6B200T64PYRBT1	200	3087	40132	242	LM33571	AAF2B5TC61AP26	5	104	1298	71
LM33044	SSD4B20/25T61YEH2	20	235	2241	245	LM33573	AAF4B3TCN61AP26	3	95	1007	67
LM33046	CCD4B25/30T61YEH2	30	320	2960	243, 245	LM33574	AAF4P3TCN61AP26	3	91	823	67
LM33047	CCD2B30/40T61YEH2	40	325	3631	243, 245	LM33575	AAF4B5TCN61AP26	5	104	1167	67
LM33048	CCD4B30/40T61YEH2	40	610	3433	243, 245	LM33576	AAF6P1.5T61Q40AP26	1 1/2	83	1033	82
LM33053	SD4P1T62	1	32	529	221	LM33577	AAF6P2T61Q40AP26	2	92	1107	82
LM33054	SD6P1T62	1	36	637	221	LM33578	AAF2P3T61Q40AP26	3	83	1057	82
LM33055	SD2P1.5T62	1 1/2	32	556	221	LM33579	AAF4P3T61Q40AP26	3	83	975	82
LM33056	SSD4PT62	1 1/2	35	554	221	LM33580	AAF2P5T61Q40AP26	5	92	1229	82
LM33057	SSD4P2T62	2	48	568	221	LM33581	AAF4P5T61Q40AP26	5	92	1086	82
LM33058	SD2P3T62	3	38	687	221	LM33582	AAF6P1.5TC61Q40AP26	1	95	1110	84
LM33059	SSD4P3T62	3	75	646	221	LM33583	AAF6P2TC61Q40AP26	2	104	1184	84
LM33060	SD6P3T62	3	99	1025	221	LM33584	AAF2P3TC61Q40AP26	3	95	1135	84
LM33061	SD2P5T62	5	58	822	221	LM33585	AAF4P3TC61Q40AP26	3	95	1054	84
LM33062	SSD4P5T62	5	82	746	221	LM33586	AAF2P5TC61Q40AP26	5	104	1300	84
LM33063	SD6P5T62	5	115	1252	221	LM33587	AAF4P5TC61Q40AP26	5	104	1167	84
LM33064	SSD2P7.5T62	7 1/2	85	944	221	LM33588	AAN6S1TC61Q10AP26	1	78	1567	77
LM33065	SSD2P20T62	20	200	2178	221	LM33589	AAN8S1TC61Q10AP26	1	100	1955	77
LM33066	SSD2P25T62	25	250	2993	221	LM33590	AAN6S1.5TC61Q10AP26	1 1/2	90	1690	77
LM33067	SD4P25T62	25	278	3520	221	LM33591	AAN4S2TC61Q10AP26	2	74	1669	77
LM33068	SD2P40T562	40	325	4096	221	LM33592	AAN6S1TC61Q15AP26	1	98	3725	80
LM33069	SD2P50T562	50	410	5379	221	LM33593	AAN8S1TC61Q15AP26	1	110	3654	80
LM33070	SD4P60T62	50	444	4420	221	LM33594	AAN6S1.5TC61Q15AP26	1 1/2	110	3393	80
LM33071	SD2P60T562	60	462	5842	221	LM33595	AAN4S2TC61Q15AP26	2	98	3367	80
LM33072	SD4P60T62	60	575	6030	221	LM33596	AF6B1.5T65AP26	1 1/2	83	972	209
LM33073	SD2P75T562	75	618	7690	221	LM33597	AF6P1.5T65AP26	1 1/2	86	822	209
LM33074	SD4P75T62	75	660	6305	221	LM33598	AF6B2T65AP26	2	92	1080	209
LM33075	SD2P100T562	100	680	8752	221	LM33599	AF6P2T65AP26	2	102	898	209
LM33076	SD4P100T62	100	767	8382	221	LM33600	AF2B3T65AP26	3	83	1101	210
LM33077	SD4P125T62	125	910	9320	221	LM33601	AF2P3T65AP26	3	72	830	210
LM33078	SS4P1T62	1	32	594	222	LM33602	AF4B3T65AP26	3	83	928	210
LM33079	SRF6P1T62	1	36	726	222	LM33603	AF4P3T65AP26	3	77	748	210
LM33080	AF8S1T62	1	68	1210	222	LM33604	AF2B2T65AP26	5	92	1220	210
LM33081	SSF2P1.5T62	1 1/2	42	626	222	LM33605	AF2P5T65AP26	5	174	1010	210
LM33082	AF6P1.5T62	1 1/2	76	810	222	LM33606	AF4B5T65AP26	5	87	1086	210
LM33083	SF4P1.5T62	1 1/2	72	1435	222	LM33607	AF6B1.5TC65AP26	1 1/2	95	1048	214
LM33084	SSF4P2T62	2	42	662	222	LM33608	AF6P1.5TC65AP26	1 1/2	95	899	214
LM33085	AF6P2T62	2	76	1198	222	LM33609	AF6B2TC65AP26	2	104	1158	214
LM33086	AF8P2T62	2	107	1817	222	LM33610	AF6P2TC65AP26	2	104	977	214
LM33087	AF2P3T62	3	73	908	222	LM33611	AF2B3TC65AP26	3	95	1136	214
LM33088	AF4P3T62	3	78	830	222	LM33612	AF2P3TC65AP26	3	95	909	214
LM33089	AF6P3T62	3	100	1282	222	LM33613	AF4B3TC65AP26	3	95	1006	214
LM33090	AF8P3T62	3	125	1925	222	LM33614	AF4P3TC65AP26	3	95	823	214
LM33091	AF2P5T62	3	80	1096	222	LM33615	AF2B5TC65AP26	5	104	1296	214
LM33093	AF6P5T62	5	122	1496	222	LM33616	AF2P5TC65AP26	5	104	1086	214
LM33094	AF8P5T62	5	125	2705	222	LM33617	AF4B5TC65AP26	5	104	1167	214
LM33095	AF2P7.5T62	7 1/2	110	1473	223	LM33618	AF8S1T62AP26	1	68	1210	222
LM33096	AF4P7.5T62	7 1/2	108	1330	223	LM33619	AF6P1.5T62AP26	1 1/2	76	810	222
LM33097	AF6P7.5T62	7 1/2	165	2300	223	LM33620	AF6P2T62AP26	2	76	1198	222
LM33098	AF8P7.5T62	7 1/2	202	3201	223	LM33621	AF2P3T62AP26	3	73	908	222
LM33099	AF2P10T62	10	124	1787	223	LM33622	AF4P3T62AP26	3	78	830	222
LM33100	AF6P10T62	10	205	2612	223	LM33623	AF2P5T62AP26	5	80	1096	222
LM33101	AF2P15T62	15	172	2483	223	LM33624	AAF4P5T62AP26	5	78	943	222
LM33102	AF2P20T62	20	205	2886	223	LM60026	CCF4B3T61AP21	3	104	947	45
LM33103	AF4P20T62	20	202	2662	223	LM60027	CCF6B3T61AP21	3	170	1339	45
LM33104	SF6P25T62	25	479	6135	223	LM60029	CCF3B5T61AP21	5	109	983	46
LM33105	SF6P30T62	30	355	6671	223	LM60030	CCF6B5T61AP21	5	176	1493	46
LM33121	SSF6B1T61	1	35	824	44	LM60031	CCF2B7.5T61AP21	7 1/2	147	1366	46
LM33122	SSF2B1.5T61	1 1/2	32	742	44	LM60032	CCF4B7.5T61AP21	7 1/2	155	1317	46
LM33123	SSF4B1.5T61	1 1/2	45	754	44	LM60033	CCF6B7.5T61AP21	7 1/2	249	1947	46
LM33124	SSF2BT61	2	31	812	45	LM60034	CCF2B10T61AP21	10	181	1617	47
LM33125	SSF4BT61	2	41	679	45	LM60035	CCF4B10T61AP21	10	177	1570	47
LM33126	SSD8P1T61	1	55	929	33	LM60036	CCF6B10T61AP21	10	300	2784	47
LM33137	SSD2BT61	2	28	739	34	LM60037	CCF2B15T61AP21	15	282	2198	47



Leeson Catalog Number Index

Motors, Sub-FHP Gearmotors, Drives and Accessories

Catalog No.	Model Number	HP	Weight	List \$	Page #	Catalog No.	Model Number	HP	Weight	List \$	Page #
LM60038	CCF4515T61AP21	15	280	2126	47	LM80070	CCF2P20T62AP5	20	334	2610	127
LM60039	CCF6B15T61AP21	15	333	3767	47	LM80071	CCF2P20T61AP5	20	334	2610	127
LM60040	CCF2B20T61AP21	20	316	2685	47	LM80072	CCF4P20T62AP5	20	420	2072	127
LM60041	CCF4B20T61AP21	20	322	2660	47	LM80073	CCF4P20T61AP5	20	420	2072	127
LM60042	CCF6B20T61AP21	20	392	4712	47	LM80074	CCF2P25T62YAP5	25	384	3377	127
LM60043	CCF2B25T61AP21	25	383	3493	48	LM80075	CCF2P25T61YAP5	25	384	3377	127
LM60044	CCF4B25T61AP21	25	385	3299	48	LM80076	CCF4P25T62YAP5	25	440	2699	127
LM60045	CCF6B25T61AP21	25	545	5513	48	LM80077	CCF4P25T61YAP5	25	440	2699	127
LM60046	CCF2B30T61AP21	30	385	4124	48	LM80078	CCF2P30T62YAP5	30	428	4008	128
LM60047	CCF4B0T161AP21	30	432	3844	48	LM80079	CCF2P30T61YAP5	30	428	4008	128
LM60048	CCF6B30T61AP21	30	615	6188	48	LM80080	CCF4P30T62YAP5	30	494	3227	128
LM60049	CCF2B40T61AP21	40	504	5144	49	LM80081	CCF4P30T61YAP5	30	494	3227	128
LM60050	CCF4B40T61AP21	40	528	5106	49	LM80082	CC5011F-4P450L6011PYAP5	450	5500	58924	129
LM60051	CCF6B40T61AP21	40	636	8484	49	LM80083	CC5011F4P450L64PYAP5	450	5500	58924	129
LM60052	CCF2B50T61AP21	50	554	6247	49	LM80084	CCF2P40T62YAP5	40	520	5612	128
LM60053	CCF4B50T61AP21	50	587	6167	49	LM80085	CCF2P40T61YAP5	40	520	5612	128
LM60054	CCF6B50T61AP21	50	672	10181	49	LM80086	CCF4P40T61YAP5	40	575	4726	128
LM60055	CCF2B60T61AP21	60	735	9265	49	LM80087	CCF2P50T61YAP5	50	540	6552	128
LM60056	CCF4B60T61AP21	60	666	8772	49	LM80088	CCF4P50T61YAP5	50	675	5307	128
LM60057	CCF6B60T61AP21	60	870	12009	49	LM80089	CCF2P60T61YAP5	60	875	7896	128
LM60058	CCF2B75T61AP21	75	780	11350	50	LM80090	CCF4P60T61YAP5	60	975	7317	128
LM60059	CCF4B75T61AP21	75	733	10947	50	LM80091	CCF2P75T61YAP5	75	1000	9403	128
LM60060	CCF6B75T61AP21	75	975	12657	50	LM80092	CCF4P75T61YAP5	75	1025	9228	128
LM60061	CCF2B100T61AP21	100	955	13975	50	LM80093	CCF2P100T61YAP5	100	1239	12865	128
LM60062	CCF4B100T61AP21	100	1070	13613	50	LM80094	CCF4P100T61YAP5	100	1267	11150	128
LM60063	CCF6B100T61AP21	100	1457	18019	50	LM80095	CCF2P125T64PYAP5	125	1750	15669	128
LM60064	CCF2B125T64AP21	125	1950	16687	50	LM80096	CCF4P125T64PYAP5	125	1805	14903	128
LM60065	CCF4B125T64AP21	125	1950	18074	50	LM80098	CCF4P150T64PYAP5	150	2116	17286	129
LM60066	CCF6B125T64AP21	125	1316	20359	50	LM80100	CCF4P200T64PYAP5	200	2311	21378	129
LM60067	CCF2B150T64AP21	150	1627	20595	51	LM80102	CC449F4P250T64PYAP5	250	2600	25517	129
LM60068	CCF4B150T64AP21	150	2230	20678	51	LM80103	SSD2P25T62AP5	25	164	1710	124
LM60069	CCF6B150T64AP21	150	1445	22958	51	LM80104	SSD2P25T61AP5	25	164	1710	124
LM60070	CCF2B200T64AP21	200	2227	23720	51	LM80105	CCD4P25T62YAP5	25	420	2402	124
LM60071	CCF4B200T64AP21	200	2542	23684	51	LM80106	CCD4P25T61YAP5	25	420	2402	124
LM60072	CCF6B200T64AP21	200	1977	30070	51	LM80107	CCD2P30T62YAP5	30	318	2573	124
LM62016	CCF2B3T61AP21	3	97	1105	71	LM80108	CCD2P30T61YAP5	30	318	2573	124
LM62017	CCF4B3T61AP21	3	104	1086	71	LM80109	CCD4P30T62YAP5	30	364	2831	124
LM62019	CCF2B5T61AP21	5	105	1148	71	LM80110	CCD4P30T61YAP5	30	364	2831	124
LM62020	CCF4B5T61AP21	5	109	1128	71	LM80111	CCD2P40T62YAP5	40	360	2871	124
LM62024	CCF4B7.5T61AP21	7 1/2	160	1296	71	LM80112	CCD2P40T61YAP5	40	360	2871	124
LM62025	CCF2B10T61AP21	10	181	1585	72	LM80113	CCD4P40T62YAP5	40	465	3185	124
LM62026	CCF4B10T61AP21	10	181	1515	72	LM80114	CCD4P40T61YAP5	40	465	3185	124
LM62028	CCF2B15T61AP21	15	282	2432	72	LM80115	CCD4P40T62YAP5	40	465	3185	124
LM62029	CCF4B15T61AP21	15	280	2550	72	LM80116	CCD4P40T61YAP5	40	465	3185	124
LM62031	CCF2B20T61AP21	20	316	2988	72	LM80117	CCD2P50T62YAP5	50	415	3037	124
LM62032	CCF4B20T61AP21	20	332	3043	72	LM80118	CCD2P50T61YAP5	50	415	3037	124
LM62033	CCF6B20T61AP21	25	383	3754	72	LM80119	CCD4P50T62YAP5	50	515	3393	124
LM62035	CCF4B25T61AP21	25	385	3885	72	LM80120	CCD4P50T61YAP5	50	515	3393	124
LM62038	CCF4B30T61AP21	30	432	4680	73	LM80121	CCD4P50T62YAP5	50	515	3393	124
LM62041	CCF4B40T61AP21	40	530	6051	73	LM80122	CCD4P50T61YAP5	50	515	3393	124
LM62044	CCF4B0T61AP21	50	590	6646	73	LM80123	CCD2P60T62YAP5	60	340	3384	125
LM62047	CCF4B60T61AP21	60	666	10540	73	LM80124	CCD2P60T61YAP5	60	340	3384	125
LM62050	CCF2B75T61AP21	75	733	12128	73	LM80125	CCD4P60T62YAP5	60	805	6420	125
LM62053	CCF4B75T61AP21	100	733	14851	74	LM80126	CCD4P60T61YAP5	60	805	6420	125
LM62085	CCF2B7.5T61AP21	7 1/2	155	1352	71	LM80127	CCD4P60T62YAP5	60	805	6420	125
LM80018	CCF4P300T64PYAP5	300	3041	26678	129	LM80128	CCD4P60T61YAP5	60	805	6420	125
LM80020	CCF4P350T64PYAP5	350	3202	27630	129	LM80129	CCD2P75T62YAP5	75	950	6271	125
LM80022	CC5011F4P400L64PYAP5	400	5500	57320	129	LM80130	CCD2P75T61YAP5	75	950	6666	125
LM80027	CCF4P40T62YAP5	40	575	4726	128	LM80131	CCD4P75T62YAP5	75	766	6680	125
LM80028	CCF2P50T62YAP5	50	540	6552	128	LM80132	CCD4P75T61YAP5	75	766	6680	125
LM80029	CCF4P50T62YAP5	50	675	5307	128	LM80133	CCD4P75T62YAP5	75	766	6680	125
LM80030	CCF2P60T62YAP5	60	875	7896	128	LM80134	CCD4P75T61YAP5	75	766	6680	125
LM80031	CCF4P60T62YAP5	60	975	7317	128	LM80135	CCD2P100T62YAP5	100	730	6528	125
LM80032	CCF2P75T62YAP5	75	1000	9403	128	LM80136	CCD2P100T61YAP5	100	730	6528	125
LM80033	CCF4P75T62YAP5	75	1025	9228	128	LM80137	CCD4P100T62YAP5	100	1065	8214	125
LM80034	CCF2P100T62YAP5	100	1239	12865	128	LM80138	CCD4P100T61YAP5	100	1065	8214	125
LM80035	CCF4P100T62YAP5	100	1267	11150	128	LM80139	CCD4P100T62YAP5	100	1065	8214	125
LM80036	CCF2P125T6011PYAP5	125	1750	15669	128	LM80140	CCD4P100T61YAP5	100	1065	8214	125
LM80037	CCF4P125T6011PYAP5	125	1805	14903	128	LM80141	CCD2P125T62YAP5	125	949	7778	125
LM80039	CCF4P150T6011PYAP5	150	2116	17286	129	LM80142	CCD2P125T61YAP5	125	949	7778	125
LM80041	CCF4P200T6011PYAP5	200	2311	21378	129	LM80143	CCD4P125T62YAP5	125	1070	8785	125
LM80043	CC449F4P250T6011PYAP5	250	2600	25517	129	LM80144	CCD4P125T61YAP5	125	1070	8785	125
LM80045	CCF4P300T6011PYAP5	300	3041	26678	129	LM80145	CCD4P125T62YAP5	125	1070	8785	125
LM80047	CCF4P350T6011PYAP5	350	3202	27630	129	LM80146	CCD4P125T61YAP5	125	1070	8785	125
LM80049	CC5011F4P400L6011PYAP5	400	5500	57320	129	LM80147	CCD2P150T6011PYAP5	150	983	8018	125
LM80050	CCF2P3T62AP5	3	84	901	127	LM80148	CCD2P150T64PYAP5	150	983	8018	125
LM80051	CCF2P3T61AP5	3	84	901	127	LM80149	CCD4P150T6011PYAP5	150	1265	10269	125
LM80052	CCF4P3T62AP5	3	90	662	127	LM80150	CCD4P150T64PYAP5	150	1265	10269	125
LM80053	CCF4P3T61AP5	3	90	662	127	LM80151	CCD4P150T6011PYAP5	150	1265	10269	125
LM80054	CCF2P5T62AP5	5	108	1037	127	LM80152	CCD4P150T64PYAP5	150	1265	10269	125
LM80055	CCF2P5T61AP5	5	108	1037	127	LM80153	CCD2P200T6011PYAP5	200	1315	10378	125
LM80056	CCF4P5T62AP5	5	123	764	127	LM80154	CCD2P200T64PYAP5	200	1315	10378	125
LM80057	CCF4P5T61AP5	5	123	764	127	LM80155	CCD4P200T6011PYAP5	200	1412	11032	125
LM80058	CCF2P7.5T62AP5	7 1/2	188	1312	127	LM80156	CCD4P200T64PYAP5	200	1412	11032	125
LM80059	CCF2P7.5T61AP5	7 1/2	188	1312	127	LM80157	CCD4P200T6011PYAP5	200	1412	11032	125
LM80060	CCF4P7.5T62AP5	7 1/2	194	975	127	LM80158	CCD4P200T64PYAP5	200	1412	11032	125
LM80061	CCF4P7.5T61AP5	7 1/2	194	975	127	LM80159	CCD2P250T6011PYAP5	250	1387	10132	125
LM80062	CCF2P10T62AP5	10	217	1532	127	LM80160	CCD2P250T64PYAP5	250	1387	10132	125
LM80063	CCF2P10T61AP5	10	217	1532	127	LM80161	CCD4P250T6011PYAP5	250	1428	10976	125
LM80064	CCF4P10T62AP5	10	227	1186	127	LM80162	CCD4P250T64PYAP5	250	1428	10976	125
LM80065	CCF4P10T61AP5	10	227	1186	127	LM80163	CCD4P250T6011PYAP5	250	1428	10976	125
LM80066	CCF2P15T62AP5	15	370	2160	127	LM80164	CCD4P250T64PYAP5	250	1428	10976	125
LM80067	CCF2P15T61AP5	15	370	2160	127	LM80165	CCD2P300T6011PYAP5	300	2255	14882	126
LM80068	CCF4P15T62AP5	15	365	1749	127	LM80166	CCD2P300T64PYAP5	300	2255	14882	126
LM80069	CCF4P15T61AP5	15	365	1749	127						



DC

Leeson Catalog Number Index

Motors, Sub-FHP Gearmotors, Drives and Accessories

Catalog No.	Model Number	HP	Weight	List \$	Page #	Catalog No.	Model Number	HP	Weight	List \$	Page #
LM80167	CCD4P300TS6011PYAP5	300	1952	15637	126	M1115024.00	985.602	1/20	9	710	303
LM80168	CCD4P300TS64PYAP5	300	1952	15637	126	M1115025.00	985.603	1/20	9	710	303
LM80169	CCD4P300T6011PYAP5	300	1952	15637	126	M1115026.00	985.604	1/20	9	710	303
LM80170	CCD4P300T64PYAP5	300	1952	15637	126	M1115027.00	985.605	1/20	10	710	303
LM80171	CCD2P350TS6011PYAP5	350	2068	15503	126	M1115028.00	985.606	1/20	10	654	303
LM80172	CCD2P350TS64PYAP5	350	2068	15503	126	M1115029.00	985.601	1/20	10	654	303
LM80173	CCD4P350TS6011PYAP5	350	1950	15600	126	M1120013.00	M31D17NZ1	1/15	5	303	286
LM80174	CCD4P350TS64PYAP5	350	1950	15600	126	M1120014.00	M31D17NZ2	1/10	7	358	286
LM80175	CCD4P350T6011PYAP5	350	1950	15600	126	M1120027.00	M31D18NZ10	1/8	7	387	286
LM80176	CCD4P350T64PYAP5	350	1950	15600	126	M1120039.00	M31D17NZ5	1/15	7	303	286
LM80177	CCD2P400TS64PYAP5	400	2150	17901	126	M1120040.00	M31D17NZ6	1/14-1/7	4	303	294
LM80178	CCD4P400TS64PYAP5	400	2214	17457	126	M1120041.00	M31D17NZ7	1/10	7	358	286
LM80179	CCD2P450TS64PYAP5	450	2544	23143	126	M1120042.00	M31D17NZ8	1/6	9	391	286
LM80180	CCD4P450TS64PYAP5	450	2675	23161	126	M1120043.00	M31D17NZ9	1/6	11	391	286
LM80181	CCD2P500TS64PYAP5	500	2544	24762	126	M1120044.00	M31D17NZ10	1/7-1/4	9	400	294
LM80182	CCD4P500TS64PYAP5	500	2695	25284	126	M1120045.00	M31D17NZ11	1/8	7	387	286
LM80183	CCF4P40TS62YAP5	40	575	4726	128	M1120046.00	M31D17NZ26	1/6-1/3	8	423	294
LM80184	CCF4P40TS61YAP5	40	575	4726	128	M1120058.00	M31D35NZ6	1/6	9	387	286
LM80185	CCF4P60TS61YAP5	60	975	7317	128	M1120059.00	M31D35NZ3	1/8	6	358	286
LM80186	CCF4P50TS62YAP5	50	675	5307	128	M1120060.00	M31D35NZ4	1/10	5	303	286
LM80187	CCF4P50TS61YAP5	50	675	5307	128	M1120062.00	M31D35NZ5	1/4	9	409	286
LM80188	CCF4P60TS62YAP5	60	975	7317	128	M1120181.00	CM31D17VZ1	1/8	11	485	143, 287
LM80189	CCF4P75TS62YAP5	75	1025	9228	128	M1120182.00	CM31D17VZ2	1/8	7	505	143, 287
LM80190	CCF4P75TS61YAP5	75	1025	9228	128	M1120183.00	CM31D17VZ3	1/6	11	492	143, 287
LM80191	CCF4P100TS62YAP5	100	1267	11150	128	M1120184.00	M31D17VZ4	1/6	11	512	143, 287
LM80192	CCF4P100TS61YAP5	100	1267	11150	128	M1120185.00	M32D25VC1	1/4	13	535	143, 287
LM80193	CCF4P125TS6011PYAP5	125	1805	14903	128	M1120186.00	M32D25VC2	1/4	13	556	143, 287
LM80194	CCF4P125TS64PYAP5	125	1805	14903	128	M1125002.00	985.627	1/17	9	539	301
LM80195	CCF4P150TS6011PYAP5	150	2116	17286	129	M1125003.00	985.628	1/17	9	539	301
LM80196	CCF4P150TS64PYAP5	150	2116	17286	129	M1125004.00	985.628	1/17	10	539	301
LM80197	CCF4P200TS6011PYAP5	200	2311	21378	129	M1125005.00	985.629	1/17	7	512	301
LM80198	CCF4P200TS64PYAP5	200	2311	21378	129	M1125006.00	985.630	1/17	9	512	301
LM80199	CC449F4P250TS6011PYAP5	250	2600	25517	129	M1125003.00	985.632	1/17	9	512	301
LM80200	CC449F4P250TS64PYAP5	250	2600	25517	129	M1125034.00	985.633	1/17	9	512	301
LM80201	CCF4P300TS6011PYAP5	300	3041	26678	129	M1125035.00	985.631	1/17	9	539	301
LM80202	CCF4P300TS64PYAP5	300	3041	26678	129	M1125036.00	985.634	1/17	9	539	301
LM80203	CCF4P350TS6011PYAP5	350	3202	27630	129	M1125037.00	985.635	1/17	9	539	301
LM80204	CCF4P350TS64PYAP5	350	3202	27630	129	M1125038.00	985.617	1/8	14	729	303
M002256.00	M6C17FB142	1/3	24	435	182	M1125039.00	985.614	1/8	14	670	303
M002290.00	M6C17FC140	1/3	24	529	182	M1125040.00	985.618	1/8	13	670	303
M009086.00	M6C17FB143	1/2	27	514	182	M1125041.00	985.619	1/8	13	670	303
M009087.00	M6C17FB144	3/4	30	599	182	M1125046.00	985.623	1/40	9	496	301
M009088.00	M6C17FB145	1	34	630	182	M1125047.00	985.624	1/20	9	496	301
M009089.00	M6K17FB49	1 1/2	41	746	182	M1125048.00	985.625	1/20	8	496	301
M009090.00	M145K17FB27	2	48	1063	182	M1125050.00	M31P17NZ1	1/150	9	517	321
M009492.00	M6C17FC141	1/2	27	580	182	M1125069.00	985.611	1/8	14	729	303
M009493.00	M6C17FC142	3/4	30	654	182	M1125070.00	985.612	1/8	14	729	303
M009494.00	M6C17FC143	1	34	680	182	M1125071.00	985.615	1/8	12	670	303
M009580.00	A6K17NB21	1/2	27	475	183, 204	M1125072.00	985.610	1/8	12	670	303
M009581.00	A6K17NB15	3/4	30	503	183, 204	M1125073.00	985.613	1/8	12	670	303
M009594.00	A6K17NB16	1 1/2	39	625	183, 204	M1125074.00	985.616	1/8	12	670	303
M009595.00	M145K17NB	2	47	694	183, 204	M1125080.00	M31P17NZ19	1/15	8	637	330
M009644.00	M009644	1	45	754	193	M1125081.00	M31P17NZ18	1/15	10	637	330
M009782.00	A6K17NB17	1	37	524	183, 204	M1125082.00	M31P17NZ17	1/15	10	637	330
M064076.00		2	58	365		M1125083.00	M31P17NZ16	1/15	10	637	330
M090085.00	A4P17NZ58	1/3	24	449	193	M1125084.00	M31P17NZ15	1/15	10	637	330
M090086.00	A4P17NZ56	1/2	45	754	193	M1125092.00	985.607	1/20	11	729	303
M090253.00	A4P17NB54	1/3	22	342	174, 200	M1125093.00	985.609	1/20	11	670	303
M090405.00	A4K17DR9	1/3	19	316	195	M1125094.00	985.608	1/20	11	654	303
M090405.00	A4K17DR9	1/3	19	316	195	M1125127.00	M31P17FZ1	1/15	10	517	321
M090585.00	A4K17DR10	1/2	22	388	195	M1125128.00	M31P17FZ2	1/15	11	517	321
M090585.00	A4K17DR10	1/2	22	388	195	M1125129.00	M31P17FZ3	1/15	9	517	321
M090602.00	A4K17DR11	1/4	15	301	195	M1125130.00	M31P17FZ4	1/15	10	497	321
M090602.00	A4K17DR11	1/4	15	301	195	M1125131.00	M31P17FZ5	1/15	10	497	321
M099250.00	A4P8NZ1	1/2	45	771	193	M1125132.00	M31P17FZ6	1/15	10	481	321
M099251.00	A4P8NC2	1/2	24	449	193	M1125133.00	M31P17FZ7	1/15	8	481	321
M099260.00	A4P11NB23	1/4	21	346	174, 200	M1125213.00	985.653	1/20	6	549	301
M099261.00	A4P11NB24	1/3	21	409	174, 200	M1125214.00	985.654	1/17	9	583	301
M099460.00	A4P11NB25	1/4	21	354	183, 203	M1125215.00	985.655	1/17	7	583	301
M099461.00	A48P11NB26	1/3	22	379	183, 203	M1125217.00	985.657	1/20	9	729	303
M099462.00	A4P11NB27	1/2	25	413	183, 203	M1125218.00	985.658	1/8	14	746	303
M099799.00	A4P17NB55	1/4	19	332	174, 200	M1125219.00	985.659	1/8	12	686	303
M099800.00	A4P17NB56	1/3	22	376	174, 200	M1125220.00	985.660	1/8	12	686	303
M099801.00	A4P17NB57	1/2	29	405	174, 200	M1125247.00	985.688	1/8	10	615	305
M099836.00	A4P8NR1	1/2	24	466	174, 199	M1125248.00	985.689	1/8	10	615	305
M099847.00	A6P11NB4	3/4	36	654	174, 200	M1125249.00	985.690	1/8	10	615	305
M099899.00	A4P17NB58	1/4	18	328	183, 203	M1125250.00	985.691	1/20	8	599	305
M099900.00	A4P17NB59	1/3	19	350	183, 203	M1125251.00	985.692	1/20	8	599	305
M099901.00	A4P17NB60	1/2	22	388	183, 203	M1125252.00	985.693	1/8	10	629	305
M099946.00	A4P11NB28	1/2	26	423	174, 200	M1125253.00	985.694	1/8	10	629	305
M1110003.00	980.535	1/25	3	282	286	M1125254.00	985.695	1/8	10	629	305
M1110006.00	980.536	1/20-1/10	3	258	294	M1125255.00	985.696	1/20	8	615	305
M1110014.00	980.533	1/25	3	272	286	M1125256.00	985.697	1/20	8	615	305
M1110015.00	980.539	1/15	5	292	286	M1125261.00	CM31D17VZ5	1/20	14	825	145
M1110024.00	980.542	0.06/1/12	6	388	275, 289	M1125262.00	CM31D17VZ6	1/8	16	848	145
M1110025.00	980.543	0.06/1/12	5	354	278, 293	M1125263.00	CM31D17VZ7	1/8	12	784	145
M1110026.00	980.544	0.06/1/12	6	400	278, 293	M1125264.00	CM31D17VZ8	1/8	12	784	145
M1115000.00	985.622	1/20	6	496	301	M1125265.00	CM31D17VZ9	1/8	16	784	145
M1115001.00	985.621	1/20	6	496	301	M1125266.00	CM31D17VZ10	1/20	11	848	145
M1115002.00	985.620	1/40	7	496	301	M1125267.00	CM31D17VZ11	1/8	12	869	145
M1115018.00	985.504	1/17	6	556	311	M1125268.00	M31D25VZ1	1/8	12	854	147
M1115019.00	985.505	1/17	7	556	311	M1125269.00	M32D25VZ1	1/4	17	884	147
M1115020.00	985.506	1/17	7	556	311	M1125270.00	M32D25VZ2	1/4	17	861	147
M1115021.00	985.509	1/17	8	556	311	M1125271.00	M32D25VZ3	1/4	17	861	147
M1115022.00	985.507	1/17	6	556	311	M1125272.00	M32D25VZ4	1/4	17	861	147



Leeson Catalog Number Index

Motors, Sub-FHP Gearmotors, Drives and Accessories

Catalog No.	Model Number	HP	Weight	List \$	Page #	Catalog No.	Model Number	HP	Weight	List \$	Page #
M1125273.00	M31D25VZ2	1/8	12	876	147	M1135245.00	M34D25NZ156	1/4	16	768	307
M1125274.00	M32D25VZ5	1/4	17	925	147	M1135246.00	M34D25NZ157	1/4	16	729	307
M1125275.00	M31D25VZ3	1/8	11	854	149	M1135249.00	M34D25NZ158	1/8	11	654	311
M1125276.00	M31D25VZ4	1/8	11	854	149	M1135250.00	M34D25NZ159	1/8	11	654	311
M1125277.00	M32D25VZ6	1/4	17	861	149	M1135251.00	M34D25NZ160	1/4	14	700	311
M1125278.00	M32D25VZ7	1/4	17	861	149	M1135252.00	M34D25NZ161	1/4	14	700	311
M1125279.00	M32D25VZ8	1/4	17	861	149	M1135284.00	M34D17NZ28	1/8	10	681	313
M1125280.00	M32D25VZ9	1/4	14	818	149	M1135285.00	M34D17NZ29	1/8	10	681	313
M1125281.00	M32D25VZ10	1/4	14	818	149	M1135286.00	M34D17FZ3	1/4	13	692	313
M1125282.00	M31T17NZ26	1/15	10	662	334	M1135287.00	M34D17FZ4	1/4	13	692	313
M1125283.00	M31T17NZ27	1/15	10	597	334	M1135288.00	M34D17FZ5	1/4	13	692	313
M1125284.00	M31T17NZ28	1/15	9	549	334	M1135289.00	M34D17FZ6	1/4	13	692	313
M1125285.00	M31T17NZ29	1/15	9	549	334	M1135290.00	M34D17FZ7	1/4	14	692	313
M1130053.00	CM34D17NC5	1/8	8	402	286	M1135291.00	M34D17NZ30	1/8	10	655	313
M1130054.00	CM34D17NC6	1/6	11	410	286	M1135292.00	M34D17NZ31	1/8	10	655	313
M1130055.00	CM34D17FC2	1/4	13	424	286	M1135293.00	M34D17NZ32	1/4	13	713	313
M1130118.00	CM34D17NC8	1/8	7	402	286	M1135294.00	M34D17NZ33	1/4	13	713	313
M1130119.00	CM34D17NC9	1/6	11	410	286	M1135295.00	M34D17NZ34	1/4	13	713	313
M1130120.00	CM34D17FC4	1/4	13	424	286	M1135296.00	M34D17NZ35	1/4	13	713	313
M1130136.00	CIM34D18NC5	0.06/1/12	8	435	275, 289	M1135297.00	M34D17NZ36	1/4	13	713	313
M1130137.00	CIM34D18NC6	0.09/1/8	14	466	275, 289	M1140171.00	CM38T17NK1	1/15	7	340	57, 86
M1130138.00	CIM34D18FC1	0.12/1/6	8	533	275, 289	M1140172.00	CM38T17FK3	1/4	9	394	57, 86
M1130139.00	CIM34D18FC2	0.18/1/4	10	572	275, 289	M1140173.00	CM38T17NK2	1/6	7	367	57, 86
M1130140.00	CIM34D30NC1	0.09/1/8	9	435	275, 289	M1145023.00	M38P17NZ20	1/15	16	772	323
M1130141.00	CIM34D30NC2	0.12/1/6	10	450	275, 289	M1145024.00	M38P17NZ21	1/15	15	702	323
M1130142.00	CIM34D30NC3	0.18/1/4	10	492	275, 289	M1145025.00	M38P17NZ22	1/15	14	702	323
M1130143.00	CIM34D30FC1	0.25/1/3	10	546	275, 289	M1145026.00	M38P17NZ23	1/15	15	702	323
M1130146.00	CIM34D18ND1	0.06/1/12	8	435	274, 288	M1145027.00	M38P17NZ24	1/15	13	702	323
M1130147.00	CIM34D18ND2	0.09/1/8	10	466	274, 288	M1145028.00	M38P17NZ25	1/15	13	702	323
M1130148.00	CIM34D18FD1	0.12/1/6	7	533	274, 288	M1145029.00	M38P17NZ26	1/15	15	772	323
M1130149.00	CIM34D18FD2	0.18/1/4	13	572	274, 288	M1145030.00	M38P17FZ9	1/6	18	839	323
M1130150.00	CIM34D30ND1	0.09/1/8	9	435	274, 288	M1145031.00	M38P17FZ10	1/6	19	839	323
M1130151.00	CIM34D30ND2	0.12/1/6	9	450	274, 288	M1145032.00	M38P17FZ11	1/6	20	839	323
M1130152.00	CIM34D30ND3	0.18/1/4	11	492	274, 288	M1145033.00	M38P17FZ12	1/6	19	769	323
M1130153.00	CIM34D30FD1	0.25/1/3	11	546	274, 288	M1145034.00	M38P17FZ13	1/6	19	769	323
M1130206.00	CIM34D30FD2	0.18/1/4	13	451	278, 293	M1145035.00	M38P17FZ14	1/6	18	769	323
M1130207.00	CIM34D18FD6	0.18/1/4	13	517	278, 293	M1145037.00	M38P17FZ16	1/6	21	864	330
M1130296.00	CIM34D30FC7	0.18/1/4	9	451	278, 293	M1145038.00	M38P17FZ17	1/6	19	864	330
M1130297.00	CIM34D18FC10	0.18/1/4	9	517	278, 293	M1145039.00	M38P17FZ18	1/6	19	864	330
M1135038.00	M34D25NZ6	1/8	11	641	311	M1145040.00	M38P17FZ19	1/6	19	864	330
M1135039.00	M34D25NZ7	1/8	11	641	311	M1145041.00	M38P17FZ20	1/6	19	864	330
M1135040.00	M34D25NZ8	1/8	11	641	311	M1145082.00	M38P17FZ23	1/6	19	864	330
M1135041.00	M34D25NZ9	1/8	11	641	311	M1145122.00	M38T17FZ12	1/6	14	669	334
M1135042.00	M34D25NZ10	1/4	14	691	311	M1145123.00	M38T17FZ14	1/6	14	669	334
M1135043.00	M34D25NZ11	1/4	15	691	311	M1145124.00	M38T17FZ15	1/6	13	618	334
M1135044.00	M34D25NZ12	1/4	16	691	311	M1145125.00	M38T17FZ16	1/6	17	618	334
M1135045.00	M34D25NZ13	1/4	14	691	311	M1145126.00	M38T17FZ17	1/6	17	618	334
M1135046.00	M34D25NZ14	1/4	16	691	311	M1145127.00	M38T17FZ7	3/8	18	818	335
M1135053.00	M34D25NZ30	1/12	9	556	311	M1145128.00	M38T17FZ8	3/8	18	818	335
M1135054.00	M34D25NZ31	1/12	11	556	311	M1145129.00	M38T17FZ9	3/8	18	818	335
M1135055.00	CM34D25NZ32	1/12	11	556	311	M1145130.00	M38T17FZ10	3/8	18	818	335
M1135056.00	M34D25NZ47	1/12	11	556	311	M1145131.00	M38T17FZ11	3/8	18	818	335
M1135057.00	M34D25NZ48	1/12	11	556	311	M1145138.00	CM38P17FZ39	5/32	20	880	150
M1135058.00	M34D25NZ26	1/8	11	641	311	M1145139.00	CM38P17FZ40A	5/32	20	880	150
M1135059.00	M34D25NZ27	1/8	12	641	311	M1145140.00	CM38P17FZ41A	5/32	20	807	150
M1135060.00	M34D25NZ28	1/8	13	641	311	M1145141.00	CM38P17FZ42A	1/6	20	669	151
M1135061.00	M34D25NZ29	1/8	13	641	311	M1145142.00	CM38P17FZ43A	1/6	20	907	151
M1135062.00	M34D25NZ33	1/4	14	691	311	M1145143.00	CM38P17FZ44A	1/6	20	907	151
M1135063.00	M34D25NZ34	1/4	16	691	311	M1145144.00	CM38T17FZ20A	1/6	18	880	150
M1135064.00	M34D25NZ35	1/4	16	691	311	M1145145.00	CM38T17FZ21A	1/6	18	880	150
M1135065.00	M34D25NZ36	1/4	16	691	311	M1145146.00	CM38T17FZ22A	1/6	18	907	151
M1135066.00	M34D25NZ37	1/4	16	691	311	M1145147.00	CM38T17FZ23A	1/6	18	907	151
M1135069.00	M34D25NZ18	1/8	11	641	311	M1740005.00			5	418	339
M1135106.00	M34D25NZ62	1/8	12	718	307	M1740006.00			5	564	339
M1135107.00	M34D25NZ61	1/8	12	718	307	M1740007.00			1	232	339
M1135108.00	M34D25NZ53	1/4	17	752	307	M1740008.00			2	362	339
M1135109.00	M34D25NZ54	1/4	19	752	307	M1740009.00			1	270	339
M1135110.00	M34D25NZ55	1/4	18	752	307	M1760000.00			1	40	332
M1135111.00	M34D25NZ56	1/4	19	710	307	M1760003.00			1	51	332
M1135112.00	M34D25NZ58	1/4	19	710	307	M1760006.00			1	55	332
M1135113.00	M34D25NZ59	1/4	19	710	307	M1760007.00			1	40	332
M1135114.00	M34D25NZ57	1/4	19	710	307	M1760011.00			1	61	332
M1135115.00	M34D25NZ51	1/4	17	752	307	M1760012.00			1	179	332
M1135116.00	M34D25NZ60	1/4	15	710	307	M1760021.00			1	40	332
M1135117.00	M34D25NZ52	1/4	17	752	307	M1760029.00			1	64	332
M1135139.00	M34D25NZ71	1/8	15	718	307	M900195.00	48S17D1301	1/4	13	232	195
M1135140.00	M34D25NZ72	1/8	11	718	307	M900196.00	48S17D1303	1/3	15	272	195
M1135141.00	M34D25NZ73	1/4	15	752	307	M900197.00	48S17D1302	1/2	20	356	195
M1135142.00	M34D25NZ74	1/4	15	752	307	M900277.00	56S17D7208	1/3	20	446	195
M1135143.00	M34D25NZ75	1/4	17	752	307	M900599.00	56S17D5710	1/2	30	558	195
M1135144.00	M34D25NZ76	1/4	34	752	307						
M1135145.00	M34D25NZ77	1/4	10	752	307						
M1135146.00	M34D25NZ78	1/4	10	710	307						
M1135147.00	M34D25NZ79	1/4	17	710	307						
M1135148.00	M34D25NZ80	1/4	10	710	307						
M1135149.00	M34D25NZ81	1/4	10	710	307						
M1135150.00	M34D25NZ82	1/4	17	710	307						
M1135243.00	M34D25NZ154	1/8	14	733	307						
M1135244.00	M34D25NZ155	1/4	16	768	307						

DC Motors

Gearmotors

Ac / DC Controls

Accessories / Kits

Mods / Factory Options

X-Ref / Index

Tech Information

Terms / Warnings

Other Products



Leeson Model Number Index

Motors, Sub-FHP Gearmotors, Drives and Accessories

Model Number	Catalog Number	Page #	Model Number	Catalog Number	Page #	Model Number	Catalog Number	Page #
970.576	970.576	279	6439191261	6439191261	239	284TSTGN16506	825080.00	102
970.577	970.577	279	6439191262	6439191262	239	284TDDP14012	G801058.00	119
970.600	970.600	279	6439191263	6439191263	239	284TDDP14013	G801040.00	121
970.601	970.601	279	6439191264	6439191264	239	284TDDP14048	G801053.00	119
970.620	970.620	279	143T17WC12	G191214.00	157	284TDDP14049	G801028.00	121
970.621	970.621	279	143THTN8037	810548.00	77	284TTGN16538	825097.00	103
980.143	980.143	279	143THTN9026	811541.00	89	284TTGN16540	825081.00	102
980.159	980.159	279	145T17WC38	G191226.00	157	286THFNA19051	811561.00	89
980.533	M1110014.00	286	145THTN8044	810547.00	77	286THFPA8040	810015.00	78
980.535	M1110003.00	286	145THTN8045	810546.00	77	286THFPA8090	810001.00	78
980.536	M1110006.00	294	145THTN9001	811544.00	89	286TSHFNA19002	811560.00	89
980.539	M1110015.00	286	145THTN9005	811542.00	89	286TSTN16504	825098.00	103
980.542	M1110024.00	275	145THTN9026	811543.00	89	286TDDP14011	G801041.00	121
980.543	M1110025.00	278	145THTN9027	811545.00	89	286TDDP14012	G801059.00	119
980.544	M1110026.00	278	182D17FK2	108502.00	282	286TDDP14052	G801054.00	119
980.549	980.549	279	182THTS19005	811546.00	89	286TDDP14053	G801029.00	121
985.504	M1115018.00	311	182THTS19041	811547.00	89	286TTGN16033	825099.00	103
985.505	M1115019.00	311	182THTS8051	811320.00	77	286TTGN16538	825082.00	102
985.506	M1115020.00	311	182TTGN16026	825085.00	103	324THFPA8050	810019.00	78
985.507	M1115022.00	311	182TTGN16508	825125.00	102	324THFPA8090	810003.00	78
985.509	M1115021.00	311	182TTGN16529	825126.00	102	324THFS19045	811563.00	89
985.601	M1115029.00	303	182TTGS14057	G825116.00	101	324TSHFS19007	811562.00	89
985.602	M1115024.00	303	184TBDP7675	131851.00	9	324TSTGS16002	825100.00	103
985.603	M1115025.00	303	184THFS19010	811548.00	89	324TDDP14013	G801042.00	121
985.604	M1115026.00	303	184THFS19045	811549.00	89	324TDDP14014	G801060.00	119
985.605	M1115027.00	303	184THTS8058	811322.00	77	324TDDP14055	G801030.00	121
985.606	M1115028.00	303	184TTGN14030	G825128.00	101	324TTGS1603	825083.00	102
985.607	M1125092.00	303	184TTGN16032	825087.00	103	324TTGS16037	825101.00	103
985.608	M1125094.00	303	184TTGN16503	825127.00	102	326THFPA8040	810023.00	78
985.609	M1125093.00	303	184TTGN16504	825086.00	103	326THFPA8090	810005.00	78
985.610	M1125072.00	303	184TTGN16537	825071.00	102	326THFS19057	811565.00	89
985.611	M1125069.00	303	184TTGN4013	G825190.00	101	326TSHFS19005	811564.00	89
985.612	M1125070.00	303	213T34DC1	G140688.00	60	326TSTGS16503	825102.00	103
985.613	M1125073.00	303	213THFS19044	811551.00	89	326TTGS16031	825084.00	102
985.614	M1125039.00	303	213THTS19008	811550.00	89	326TTGS16540	825103.00	103
985.615	M1125071.00	303	213THTS8070	810157.00	77	364THFS18079	810096.00	78
985.616	M1125074.00	303	213TTGN14005	G825188.00	101	364THFS19047	811567.00	89
985.617	M1125038.00	303	213TTGN16507	825072.00	102	364THFS8059	810027.00	78
985.618	M1125040.00	303	213TTGN16526	825073.00	102	364TSHFS19006	811566.00	89
985.619	M1125041.00	303	213TTGN16527	825088.00	103	364TSTGS16504	825104.00	103
985.620	M1115002.00	301	213TTGN16527	825089.00	103	364TTGS16035	825105.00	103
985.621	M1115001.00	301	213TTGN4050	G825192.00	101	365THFS19052	811569.00	89
985.622	M1115000.00	301	215T34DC2	G140689.00	60	365THFS8074	810031.00	78
985.623	M1125046.00	301	215THFS19011	811552.00	89	365THFS8397	810097.00	78
985.624	M1125047.00	301	215THFS19051	811553.00	89	365TSHFS19005	811568.00	89
985.625	M1125048.00	301	215THTS8070	810140.00	77	365TSTGS16507	825106.00	103
985.626	M1125004.00	301	215TTGN16504	825090.00	103	365TTGS16541	825107.00	103
985.627	M1125002.00	301	215TTGN16505	825074.00	102	404THFS8378	810098.00	78
985.628	M1125003.00	301	215TTGN16526	825075.00	102	405THFS19060	811571.00	89
985.629	M1125005.00	301	215TTGN16526	825091.00	103	405THFS8329	810087.00	78
985.630	M1125006.00	301	215TTGN4031	G825193.00	101	405THFS8386	810099.00	78
985.631	M1125035.00	301	215TTGN4051	G825194.00	101	405TSHFS19006	811570.00	89
985.632	M1125033.00	301	254THFNA19014	811554.00	89	405TSTGS16002	825108.00	103
985.633	M1125034.00	301	254THFNA19052	811555.00	89	405TTGS16034	825109.00	103
985.634	M1125036.00	301	254THTNA8060	810066.00	78	42D17FC29	098377.00	283
985.635	M1125037.00	301	254TDDX14067	G801051.00	119	42D17FC30	098378.00	283
985.653	M1125213.00	301	254TDDX14305	G801056.00	119	42D17FC31	098379.00	283
985.654	M1125214.00	301	254TTGN16506	825092.00	103	42D17FC32	098380.00	283
985.655	M1125215.00	301	254TTGN16507	825076.00	102	42D18FK6	098381.00	292
985.657	M1125217.00	303	254TTGN16539	825093.00	103	42D18FK7	098382.00	292
985.658	M1125218.00	303	254TTGN16540	825077.00	102	444THFN8050	811369.00	78
985.659	M1125219.00	303	254TTGP14014	G825195.00	101	444THFN8389	811367.00	78
985.660	M1125220.00	303	256THFNA19004	811556.00	89	444TSGN16503	825110.00	103
985.688	M1125247.00	305	256THFNA19050	811557.00	89	444TTGN16032	825111.00	103
985.689	M1125248.00	305	256THTNA8070	810007.00	78	445THFN8334	811371.00	78
985.690	M1125249.00	305	256TDDX14019	G801057.00	119	445THFN8335	810503.00	78
985.691	M1125250.00	305	256TDDX14054	G801052.00	119	445TSTGN16002	825112.00	103
985.692	M1125251.00	305	256TTGN14013	G825197.00	101	445TSTGN16003	825114.00	103
985.693	M1125252.00	305	256TTGN14046	G825198.00	101	445TTGN16035	825113.00	103
985.694	M1125253.00	305	256TTGN16513	825078.00	102	445TTGN16036	825115.00	103
985.695	M1125254.00	305	256TTGN16539	825095.00	103	449THFS328BE	811516.00	78
985.696	M1125255.00	305	256TTGN16543	825079.00	102	449THFS8329	811529.00	78
985.697	M1125256.00	305	256TTGS16514	825094.00	103	449THFS8330BE	811530.00	78
6439191250	6439191250	239	284THFNA19043	811559.00	89	449TSTGS14004	G825071.00	103
6439191251	6439191251	239	284THFPA8060	810011.00	78	449TTGS14041	G825072.00	103
6439191252	6439191252	239	284THTPA7090	810068.00	78	48S17D1301	M900195.00	195
6439191253	6439191253	239	284TSGN16505	825096.00	103	48S17D1302	M900197.00	195
6439191260	6439191260	239	284TSHFNA19009	811558.00	89	48S17D1303	M900196.00	195



Leeson Model Number Index

Motors, Sub-FHP Gearmotors, Drives and Accessories

- DC Motors
- Gearmotors
- Ac / DC Controls
- Accessories / Kits
- Mods / Factory Options
- X-Ref / Index
- Tech Information
- Terms / Warnings
- Other Products

Model Number	Catalog Number	Page #	Model Number	Catalog Number	Page #	Model Number	Catalog Number	Page #
4C17FZ25	107000.00	329	4D17WC9	109089.00	164	A4C17FC35	102871.00	24
4C17FZ26	107001.00	329	4D17WK10	109070.00	164	A4C17FH29	102908.00	15
4C17FZ27	107002.00	329	4D17WK11	109071.00	165	A4C17FH32	102932.00	15
4C17FZ28	107003.00	329	4D17WK13	109072.00	164	A4C17NH10	102915.00	18
4C17FZ29	107004.00	329	4D17WK14	109073.00	164	A4C34DC1	100054.00	21
4C17FZ30	107005.00	329	4D17WK15	109074.00	165	A4C34DC12	100355.00	21
4C17FZ31	107006.00	329	4D17WK16	109075.00	164	A4C34DC2	100055.00	21
4C17FZ32	107007.00	329	4D17WK17	109076.00	164	A4C34DC21	100722.00	113
4C17FZ33	107008.00	329	4D17WK18	109077.00	165	A4C34DC22	100723.00	113
4C17FZ34	107009.00	329	4D17WK9	109069.00	164	A4C34DC4	100204.00	113
4C17FZ35	107010.00	329	4D18FK1	109101.00	292	A4C34DC5	100205.00	113
4C17FZ36	107011.00	329	4D18FK2	109102.00	292	A4C34DC7	100207.00	113
4C17FZ37	107012.00	329	4D18FK3	109103.00	292	A4C34DC8	100208.00	113
4C17FZ38	107013.00	329	4D18FK4	109104.00	292	A4C34DJ7	100603.00	13
4C17FZ39	107014.00	329	4D18FK5	109105.00	292	A4C34DJ7	100603.00	13
4C17FZ40	107015.00	329	4D18FK6	109106.00	292	A4C34DR10	101432.00	13
4C17FZ41	107016.00	329	4D18FK7	109107.00	292	A4C34DR11	101431.00	13
4C17NZ9	107037.00	329	4D18FK8	109108.00	292	A4C34DR8	101434.00	13
4D11FK5	109098.00	282	4D28FK11	108265.00	282	A4C34DR9	101433.00	13
4D11FK6	109099.00	282	4D28FK12	108266.00	282	A4K17DR10	M090585.00	195
4D11FK7	109100.00	282	4D28FK3	108016.00	282	A4K17DR10	M090585.00	195
4D17FC42	109096.00	283	4D28FK4	108017.00	282	A4K17DR11	M090602.00	195
4D17FC43	109097.00	283	4D28FK5	108020.00	282	A4K17DR11	M090602.00	195
4D17FK1	108014.00	282	4D28FK6	108021.00	282	A4K17DR5	101405.00	10
4D17FK10	108092.00	282	4D34FT1	108372.00	275	A4K17DR6	101585.00	10
4D17FK19	108262.00	282	4D34FT2	108373.00	275	A4K17DR7	101602.00	10
4D17FK2	108015.00	282	4D34FT5	108456.00	278	A4K17DR9	M090405.00	195
4D17FK28	108322.00	292	4D34FT6	108457.00	278	A4K17DR9	M090405.00	195
4D17FK3	108018.00	282	4D34FT7	108458.00	278	A4K17NH2	101176.00	174
4D17FK4	108019.00	282	4T17FZ39	107017.00	329	A4P11NB23	M099260.00	174
4D17FK5	108022.00	282	4T17FZ46	107036.00	329	A4P11NB24	M099261.00	174
4D17FK6	108023.00	282	4T17FZ48	107031.00	329	A4P11NB25	M099460.00	183
4D17FK7	108048.00	292	4T17FZ49	107032.00	329	A4P11NB27	M099462.00	183
4D17FK8	108052.00	292	4T17FZ50	107033.00	329	A4P11NB28	M099946.00	174
4D17FK9	108053.00	292	4T17FZ51	107034.00	329	A4P11NH1	100604.00	174
4D17FT1	108369.00	275	4T17FZ52	107035.00	329	A4P11NJ1	100805.00	174
4D17FT2	108370.00	275	4T17FZ53	107025.00	329	A4P11NJ2	100806.00	174
4D17FT3	108371.00	275	4T17FZ54	107026.00	329	A4P11NR2	100824.00	174
4D17FT6	108455.00	278	4T17FZ55	107027.00	329	A4P11NR3	100825.00	174
4D17FZ23	108707.00	309	4T17FZ56	107028.00	329	A4P11NR6	101645.00	174
4D17FZ24	108708.00	309	4T17FZ57	107029.00	329	A4P11NZ26	191891.00	196
4D17FZ25	108709.00	309	4T17FZ58	107030.00	329	A4P11NZ27	191909.00	196
4D17FZ26	108710.00	309	56S17D5710	M900599.00	195	A4P11NZ28	191892.00	196
4D17FZ27	108711.00	309	56S17D7208	M900277.00	195	A4P11NZ29	191911.00	196
4D17FZ28	108712.00	309	5KCP35JNC128Y	103460.00	237	A4P11NZ30	191893.00	196
4D17FZ52	108731.00	309	A143C17DB1	120000.00	8	A4P11NZ31	191912.00	196
4D17FZ53	108732.00	309	A143T134XB25	121914.00	101	A4P17NB27	101252.00	174
4D17NK10	108051.00	292	A145T17XB28	121915.00	101	A4P17NB28	101253.00	174
4D17NK5	108045.00	292	A145T17XC4	G121178.00	101	A4P17NB54	M090253.00	174
4D17NK6	108046.00	292	A145T134XB25	121916.00	101	A4P17NB55	M099799.00	174
4D17NK7	108047.00	292	A254T17FK12	G151568.60	122	A4P17NB56	M099800.00	174
4D17NK9	108050.00	292	A48P11NB26	M099461.00	183	A4P17NB57	M099801.00	174
4D17NZ17	108700.00	309	A4C17DB1	100115.00	7	A4P17NB58	M099899.00	183
4D17NZ18	108701.00	309	A4C17DB2	100116.00	7	A4P17NB59	M099900.00	183
4D17NZ19	108702.00	309	A4C17DC4	100020.00	21	A4P17NB60	M099901.00	183
4D17NZ20	108703.00	309	A4C17DC79	101521.00	21	A4P17NB7	100699.00	174
4D17NZ21	108704.00	309	A4C17DC80	101523.00	21	A4P17NB8	100700.00	174
4D17NZ22	108705.00	309	A4C17DC81	101522.00	21	A4P17NB9	100701.00	174
4D17NZ23	108706.00	309	A4C17DH1	100000.00	7	A4P17NJ1	100767.00	174
4D17NZ24	108729.00	309	A4C17DH2	100001.00	7	A4P17NJ2	100768.00	174
4D17NZ44	108730.00	309	A4C17DH3	100002.00	7	A4P17NR1	100803.00	174
4D17VC5	109078.00	164	A4C17DH4	100003.00	7	A4P17NR2	100804.00	174
4D17VC6	109079.00	164	A4C17DJ10	100064.00	13	A4P17NZ24	101341.00	181
4D17VC7	109080.00	164	A4C17DJ11	100065.00	13	A4P17NZ24	101341.00	181
4D17VC8	109081.00	165	A4C17DJ2	100010.00	13	A4P17NZ56	M090086.00	193
4D17VD1	108407.00	142	A4C17DJ3	100011.00	13	A4P17NZ58	M090085.00	193
4D17VK24	109065.00	164	A4C17DJ4	100012.00	13	A4P17NZ63	191872.00	196
4D17VK25	109066.00	164	A4C17DJ57	101611.00	13	A4P17NZ64	191908.00	196
4D17VK26	109067.00	164	A4C17DJ67	101839.00	13	A4P17NZ65	191871.00	196
4D17VK27	109068.00	165	A4C17DJ72	102964.00	13	A4P17NZ66	191910.00	196
4D17WC10	109090.00	165	A4C17DJ73	102966.00	13	A4P17NZ67	191873.00	196
4D17WC2	109082.00	164	A4C17DJ74	102965.00	13	A4P17NZ68	191875.00	196
4D17WC3	109083.00	164	A4C17DJ9	100063.00	13	A4P8NC2	M099251.00	193
4D17WC4	109084.00	165	A4C17DR1	100109.00	13	A4P8NR1	M099836.00	174
4D17WC5	109085.00	164	A4C17DR2	100110.00	13	A4P8NZ1	M099250.00	193
4D17WC6	109086.00	164	A4C17DR3	100111.00	13	A4S17DR55	191868.00	194
4D17WC7	109087.00	165	A4C17DR31	101015.00	13	A4S17DR56	191869.00	194
4D17WC8	109088.00	164	A4C17DR47	102963.00	13	A4S17DR57	191870.00	194



Leeson Model Number Index

Motors, Sub-FHP Gearmotors, Drives and Accessories

Model Number	Catalog Number	Page #	Model Number	Catalog Number	Page #	Model Number	Catalog Number	Page #
A4S17DR62	103520.00	118	A6P17NR2	111267.00	174	AAF2P5T61Q40	LM21192	82
A4S17DR63	103530.00	118	A6P17NR3	111323.00	174	AAF2P5T61Q40AP26	LM33580	82
A4S17DR64	103521.00	118	A6P17NR4	111324.00	174	AAF2P5TC61Q40	LM22829	84
A4S17DR65	103531.00	118	A6P17NZ1	111202.00	174	AAF2P5TC61Q40AP26	LM33586	84
A4S17DR66	103522.00	118	A6P17NZ6	111348.00	174	AAF4B15T61	LM15671	47
A4S17DR67	103523.00	118	A6P8NR2	111919.00	174	AAF4B20T61	LM15674	47
A4T17DJ10	100796.00	40	A6P8NR2	111919.00	174	AAF4B3T61	LM15647	45
A4T17DJ13	100908.00	40	A6P8NZ2	114620.00	193	AAF4B3T61AP26	LM33486	45
A4T17DJ18	101520.00	40	A6S46NR4	114102.00	181	AAF4B3TC61	LM16742	71
A4T34DJ3	101640.00	40	A6T11DB20	115778.00	194	AAF4B3TC61AP26	LM33485	71
A4T34DJ4	101639.00	40	A6T11DB21	115779.00	194	AAF4B3TC61	LM16824	67
A4T34DJ5	101641.00	40	A6T11DZ1	111147.00	194	AAF4B3TC61AP26	LM33573	67
A4T34DJ8	101773.00	40	A6T11DZ2	111148.00	194	AAF4B5T61	LM15650	46
A6C17DB1	110000.00	8	A6T11EB21	111940.00	101	AAF4B5T61AP26	LM33487	46
A6C17DR1	110007.00	13	A6T11OZ2	116773.00	194	AAF4B5TC61	LM16825	67
A6C17DR2	110054.00	13	A6T11OZ3	116772.00	194	AAF4B5TC61AP26	LM33575	67
A6C17DR54	116599.00	13	A6T11XB22	111938.00	101	AAF4BTC61	LM16747	71
A6C17EB20	111074.00	100	A6T17DB26	111309.00	34	AAF4BTC61AP26	LM33484	71
A6C17EC20	111075.00	100	A6T17DB27	111310.00	34	AAF4P3T61Q40	LM21190	82
A6C17FB4	110017.00	16	A6T17DR11	111311.00	40	AAF4P3T61Q40AP26	LM33579	82
A6C17FB5	110018.00	16	A6T17DR25	113846.00	40	AAF4P3TC61Q40	LM22827	84
A6C17FC8	110308.00	24	A6T17DR26	113847.00	40	AAF4P3TC61Q40AP26	LM33585	84
A6C17FR1	110025.00	19	A6T17DR30	113895.00	40	AAF4P3TC61	LM16298	67
A6C17FR10	111915.00	19	A6T17DR32	113897.00	40	AAF4P3TC61AP26	LM33574	67
A6C17FR2	110026.00	19	A6T17DR33	116593.00	40	AAF4P5T61Q40	LM21193	82
A6C17XB20	110961.00	100	A6T17EB21	111929.00	101	AAF4P5T61Q40AP26	LM33581	82
A6C17XB21	110934.00	100	A6T17EB22	111932.00	101	AAF4P5T62	LM26285	222
A6C17XB22	111084.00	100	A6T17EC22	111930.00	101	AAF4P5T62AP26	LM33624	222
A6C17XC20	110852.00	100	A6T17EC23	111931.00	101	AAF4P5TC61Q40	LM22830	84
A6C17XC21	111086.00	100	A6T17EK7	114626.00	102	AAF4P5TC61Q40AP26	LM33587	84
A6C17XC22	111085.00	100	A6T17EK8	114628.00	102	AAF4P5TC61	LM16299	67
A6C17XK29	116614.00	100	A6T17FC33	111304.00	179	AAF4P5TC61AP26	LM33489	67
A6C17XK30	116612.00	100	A6T17XB20	111922.00	101	AAF4P7.5TC61Q40	LM22833	84
A6C17XK31	116607.00	100	A6T17XB21	111923.00	101	AAF5B7.5TC61	LM16753	71
A6C17XK32	116609.00	100	A6T17XC22	111926.00	101	AAF6B1.5T61	LM15648	44
A6C17XK33	116606.00	100	A6T17XC23	111935.00	101	AAF6B1.5T61AP26	LM33561	44
A6C17XK34	116610.00	100	A6T17XC24	111941.00	101	AAF6B1.5TC61	LM16728	70
A6C34DC52	113336.00	22	A6T17XK11	114630.00	102	AAF6B1.5TC61AP26	LM33567	70
A6C34DC53	113337.00	21	A6T17XK12	114632.00	102	AAF6B2T61	LM15651	45
A6C34DR6	110478.00	13	A6T17XK13	114634.00	102	AAF6B2T61AP26	LM33563	45
A6C34DR7	110479.00	13	A6T34DR31	113896.00	40	AAF6B2TC61	LM16739	70
A6C34EC20	111095.00	100	A6T34EB22	111934.00	101	AAF6B2TC61AP26	LM33569	70
A6C34FC41	113639.00	114	A6T34EC22	111933.00	101	AAF6P1.5T61Q40	LM21188	82
A6C34FC42	113640.00	114	A6T34EC23	111944.00	101	AAF6P1.5T61Q40AP26	LM33576	82
A6C34FC44	113955.00	114	A6T34EC28	116187.00	101	AAF6P1.5TC61Q40	LM22822	84
A6C34FC45	113956.00	114	A6T34EK1	114625.00	102	AAF6P1.5TC61Q40AP26	LM33582	84
A6C34FK49	113637.00	114	A6T34EK2	114627.00	102	AAF6P10T61Q40	LM21203	82
A6C34FK50	113638.00	114	A6T34FC33	112991.00	179	AAF6P2T61Q40	LM21191	82
A6C34FK53	113957.00	114	A6T34XB20	111942.00	101	AAF6P2T61Q40AP26	LM33577	82
A6C34FK54	113958.00	114	A6T34XB21	111937.00	101	AAF6P2TC61Q40	LM22825	84
A6C34XC20	111096.00	100	A6T34XC20	111943.00	101	AAF6P2TC61Q40AP26	LM33583	84
A6C34XC21	111097.00	100	A6T34XC21	111936.00	101	AAF6P5T61Q40	LM21197	82
A6C34XC22	111098.00	100	A6T34XC25	111939.00	101	AAF6P7.5T61Q40	LM21200	82
A6C34XC26	114424.00	100	A6T34XC26	113971.00	101	AAF8P1.5T61	LM32798	44
A6C34XC27	114425.00	100	A6T34XC28	114419.00	101	AAF8P1.5T61AP26	LM33562	44
A6C34XC31	116188.00	100	A6T34XC29	116180.00	101	AAF8P1.5TC61	LM32827	70
A6C34XC32	116186.00	100	A6T34XC30	116182.00	101	AAF8P1.5TC61AP26	LM33568	70
A6C34XC33	116185.00	100	A6T34XC31	116184.00	101	AAF8P1T61	LM32662	44
A6C34XC34	116183.00	100	A6T34XK2	114629.00	102	AAF8P1T61AP26	LM33560	44
A6C34XC35	116181.00	100	A6T34XK3	114631.00	102	AAF8P1TC61	LM32692	69
A6C34XK2	116616.00	100	A6T34XK4	114633.00	102	AAF8P1TC61AP26	LM33566	69
A6C34XK3	116615.00	100	A6T34XK5	114635.00	102	AAF8P2TC61	LM32831	70
A6C34XK4	116613.00	100	A6T34XK6	114636.00	102	AAN4S2TC61Q10	LM06113	77
A6C34XK5	116611.00	100	AAF2B15T61	LM15670	47	AAN4S2TC61Q10AP26	LM33591	77
A6C34XK6	116608.00	100	AAF2B3T61	LM15646	45	AAN4S2TC61Q15	LM03987	80
A6C34XK7	116605.00	100	AAF2B3T61AP26	LM33564	45	AAN4S2TC61Q15AP26	LM33595	80
A6K17DR28	113608.00	13	AAF2B3TC61	LM16741	71	AAN4S3TC61Q10	LM06119	77
A6K17DR41	116600.00	13	AAF2B3TC61AP26	LM33570	71	AAN4S3TC61Q10AP26	LM33492	77
A6K17DR42	116601.00	13	AAF2B5TC61	LM16745	71	AAN4S3TC61Q15	LM03995	80
A6K17DR6	110579.00	13	AAF2B5TC61AP26	LM33571	71	AAN4S3TC61Q15AP26	LM33491	80
A6K17NB15	M009581.00	183	AAF2B7.5TC61	LM16750	71	AAN4S5TC61Q15	LM04003	80
A6K17NB16	M009594.00	183	AAF2BT61	LM15649	46	AAN6S1.5TC61Q10	LM06109	77
A6K17NB17	M009782.00	183	AAF2BT61AP26	LM33565	46	AAN6S1.5TC61Q10AP26	LM33590	77
A6K17NB21	M009580.00	183	AAF2P15T61Q40	LM21201	83	AAN6S1.5TC61Q15	LM03991	80
A6P11NB4	M099847.00	174	AAF2P3T61Q40	LM21189	82	AAN6S1.5TC61Q15AP26	LM33594	80
A6P11NR1	111321.00	174	AAF2P3T61Q40AP26	LM33578	82	AAN6S1TC61Q10	LM06103	77
A6P11NR2	111322.00	174	AAF2P3TC61Q40	LM22826	84	AAN6S1TC61Q10AP26	LM33588	77
A6P17NR1	111266.00	174	AAF2P3TC61Q40AP26	LM33584	84	AAN6S1TC61Q15	LM03973	80



Leeson Model Number Index

Motors, Sub-FHP Gearmotors, Drives and Accessories

DC Motors

Gearmotors

Ac / DC Controls

Accessories / Kits

Mods / Factory Options

X-Ref / Index

Tech Information

Terms / Warnings

Other Products

Model Number	Catalog Number	Page #	Model Number	Catalog Number	Page #	Model Number	Catalog Number	Page #
AAN8S1TC61Q15AP26	LM33592	80	AF4B10TC65	LM17190	215	AF6B10T61	LM15675	47
AAN8S1TC61Q10	LM06105	77	AF4B10TCN61	LM16827	67	AF6B10T65	LM17074	210
AAN8S1TC61Q10AP26	LM33589	77	AF4B15T65	LM17076	211	AF6B10TC61	LM16759	72
AAN8S1TC61Q15	LM03975	80	AF4B15TC61	LM16762	72	AF6B10TC65	LM17191	215
AAN8S1TC61Q15AP26	LM33593	80	AF4B15TC65	LM17193	215	AF6B15T61Y	LM13962	47
AAN8S2TC61Q15	LM03991	80	AF4B15TCN61	LM16828	68	AF6B15T65	LM17077	211
AF2B0T61	LM15673	47	AF4B20T65	LM15919	211	AF6B15TC61Y	LM16764	72
AF2B10T61	LM16031	47	AF4B20TC61	LM16767	72	AF6B15TC65	LM17194	215
AF2B10T65	LM17072	210	AF4B20TC65	LM17196	215	AF6B20T61Y	LM13965	47
AF2B10TC61	LM16755	72	AF4B20TCN61	LM16829	68	AF6B20T65	LM17080	211
AF2B10TC65	LM17189	215	AF4B25T61Y	LM13961	48	AF6B20TC61Y	LM16769	72
AF2B15T65	LM17075	211	AF4B25T65	LM17082	211	AF6B20TC65	LM17197	215
AF2B15TC61	LM16761	72	AF4B25TC61Y	LM16772	72	AF6B2T65	LM17062	209
AF2B15TC65	LM17192	215	AF4B25TC65	LM17199	215	AF6B2T65AP26	LM33598	209
AF2B20T65	LM17078	211	AF4B25TS61Y	LM32812	48	AF6B2TC65	LM17179	214
AF2B20TC61	LM16766	72	AF4B25TSC61Y	LM32654	72	AF6B2TC65AP26	LM33609	214
AF2B20TC65	LM17195	215	AF4B30T61Y	LM13964	48	AF6B3T61	LM16030	45
AF2B25TS61Y	LM13960	48	AF4B30T65Y	LM20086	211	AF6B3T65	LM17065	210
AF2B25TS65	LM17081	211	AF4B30TC61Y	LM16774	73	AF6B3TC65	LM17182	214
AF2B25TSC61Y	LM16770	72	AF4B30TC65Y	LM20088	215	AF6B5T61	LM16033	46
AF2B25TSC65	LM17198	215	AF4B30TS61Y	LM32814	48	AF6B5T65	LM17068	210
AF2B30T61Y	LM32813	48	AF4B3T65	LM17064	210	AF6B5TC65	LM17185	214
AF2B30TS61Y	LM13963	48	AF4B3T65AP26	LM33602	210	AF6B7.5T61	LM15672	46
AF2B30TS65Y	LM20085	211	AF4B3TC65	LM17181	214	AF6B7.5T65	LM17071	210
AF2B30TSC61Y	LM16773	73	AF4B3TC65AP26	LM33613	214	AF6B7.5TC65	LM17188	215
AF2B30TSC65Y	LM20087	215	AF4B5T65	LM17067	210	AF6P1.5T62	LM33082	222
AF2B3T65	LM17063	210	AF4B5T65AP26	LM33606	210	AF6P1.5T62AP26	LM33619	222
AF2B3T65AP26	LM33600	210	AF4B5TC65	LM17184	214	AF6P1.5T65	LM16379	209
AF2B3TC65	LM17180	214	AF4B5TC65AP26	LM33617	214	AF6P1.5T65AP26	LM33597	209
AF2B3TC65AP26	LM33611	214	AF4B7.5T61	LM16029	46	AF6P1.5TC65	LM16582	214
AF2B5TC65	LM17183	214	AF4B7.5T65	LM17070	210	AF6P1.5TC65AP26	LM33608	214
AF2B5TC65AP26	LM33615	214	AF4B7.5TC61	LM16752	71	AF6P10T62	LM33100	223
AF2B7.5T61	LM28968	46	AF4B7.5TC65	LM17187	215	AF6P10T65	LM16397	210
AF2B7.5T65	LM17069	210	AF4B7.5TCN61	LM16826	67	AF6P10TC61Q40	LM22837	84
AF2B7.5TC65	LM17186	215	AF4P10T61Q40	LM21199	82	AF6P10TC65	LM16600	215
AF2BT65	LM17066	210	AF4P10T62	LM32690	223	AF6P15T61YQ40	LM21206	83
AF2BT65AP26	LM33604	210	AF4P10T65	LM16395	210	AF6P15T65	LM16401	211
AF2P10T61Q40	LM21198	82	AF4P10TC61Q40	LM22836	84	AF6P15TC65	LM16603	215
AF2P10T62	LM33099	223	AF4P10TC65	LM16599	215	AF6P20T61YQ40	LM21209	83
AF2P10T65	LM16394	210	AF4P10TCN61	LM16301	67	AF6P20T65	LM16404	211
AF2P10TC61Q40	LM22835	84	AF4P15T61Q40	LM21202	83	AF6P20TC65	LM16606	215
AF2P10TC65	LM16598	215	AF4P15T62	LM32691	223	AF6P2T62	LM33085	222
AF2P15T62	LM33101	223	AF4P15T65	LM16400	211	AF6P2T62AP26	LM33620	222
AF2P15T65	LM16398	211	AF4P15TC61Q40	LM22839	84	AF6P2T65	LM16382	209
AF2P15TC61Q40	LM22838	84	AF4P15TC65	LM16602	215	AF6P2T65AP26	LM33599	209
AF2P15TC65	LM16601	215	AF4P15TCN61	LM16302	68	AF6P2TC65	LM16587	214
AF2P20T61Q40	LM21204	83	AF4P20T61Q40	LM21205	83	AF6P2TC65AP26	LM33610	214
AF2P20T62	LM33102	223	AF4P20T62	LM33103	223	AF6P3T61Q40	LM21194	82
AF2P20T65	LM16403	211	AF4P20T65	LM17079	211	AF6P3T62	LM33089	222
AF2P20TC61Q40	LM22840	84	AF4P20TC61Q40	LM22841	84	AF6P3T65	LM16385	210
AF2P20TC65	LM16604	215	AF4P20TC65	LM16605	215	AF6P3TC61Q40	LM22828	84
AF2P25TS61YQ40	LM21207	83	AF4P20TCN61	LM16303	68	AF6P3TC65	LM16591	214
AF2P25TS65	LM16406	211	AF4P25T61YQ40	LM21208	83	AF6P5T62	LM33093	222
AF2P25TSC65	LM16607	215	AF4P25T65	LM16407	211	AF6P5T65	LM16388	210
AF2P30TS61YQ40	LM21210	83	AF4P25TC65	LM16608	215	AF6P5TC61Q40	LM31434	84
AF2P30TS65Y	LM19594	211	AF4P30T61YQ40	LM21211	83	AF6P5TC65	LM16594	214
AF2P30TSC65Y	LM19596	215	AF4P30T65Y	LM19595	211	AF6P7.5T62	LM33097	223
AF2P3T62	LM33087	222	AF4P30TC65Y	LM19597	215	AF6P7.5T65	LM16392	210
AF2P3T62AP26	LM33621	222	AF4P3T62	LM33088	222	AF6P7.5TC61Q40	LM22834	84
AF2P3T65	LM16383	210	AF4P3T62AP26	LM33622	222	AF6P7.5TC65	LM16597	215
AF2P3T65AP26	LM33601	210	AF4P3T65	LM16384	210	AF8P2T61	LM32799	45
AF2P3TC65	LM16589	214	AF4P3T65AP26	LM33603	210	AF8P2T62	LM33086	222
AF2P3TC65AP26	LM33612	214	AF4P3TC65	LM16590	214	AF8P3T62	LM33090	222
AF2P5T62	LM33091	222	AF4P3TC65AP26	LM33614	214	AF8P3TC61	LM32834	71
AF2P5T62AP26	LM33623	222	AF4P5T65	LM16387	210	AF8P5T61	LM32803	46
AF2P5T65	LM16386	210	AF4P5T65AP26	LM33488	210	AF8P5T62	LM33094	222
AF2P5T65AP26	LM33605	210	AF4P5TC65	LM16593	214	AF8P5T65	LM33171	210
AF2P5TC65	LM16592	214	AF4P5TC65AP26	LM33490	214	AF8P5TC61	LM32836	71
AF2P5TC65AP26	LM33616	214	AF4P7.5T61Q40	LM21196	82	AF8P7.5T61	LM32807	46
AF2P7.5T61Q40	LM21195	82	AF4P7.5T62	LM33096	223	AF8P7.5T62	LM33098	223
AF2P7.5T62	LM33095	223	AF4P7.5T65	LM16391	210	AF8P7.5TC61	LM32839	71
AF2P7.5T65	LM16389	210	AF4P7.5TC65	LM16596	215	AF8S1T62	LM33080	222
AF2P7.5TC61Q40	LM22832	84	AF4P7.5TCN61	LM16300	67	AF8S1T62AP26	LM33618	222
AF2P7.5TC65	LM16595	215	AF655TC61	LM16748	71	AFB25T61Y	LM32811	48
AF430TSC61Y	LM32842	73	AF6B1.5T65	LM17059	209	AN4S10TC61Q10	LM06135	77
AF4B10T61	LM16032	47	AF6B1.5T65AP26	LM33596	209	AN4S10TC61Q15	LM30572	80
AF4B10T65	LM17073	210	AF6B1.5TC65	LM17175	214	AN4S5TC61Q10	LM06125	77
AF4B10TC61	LM16757	72	AF6B1.5TC65AP26	LM33607	214	AN4S7.5TC61Q10	LM06131	77



Leeson Model Number Index

Motors, Sub-FHP Gearmotors, Drives and Accessories

Model Number	Catalog Number	Page #	Model Number	Catalog Number	Page #	Model Number	Catalog Number	Page #
AN4S7.5TC61Q15	LM31463	80	C143C34NB1	120374.00	176	C145K17FK2	120274.00	27
AN5S3TC61Q10	LM06121	77	C143T11DC1	120063.00	59	C145K17WK3	191483.00	155
AN6S2TC61Q10	LM06115	77	C143T11FB2	121009.00	43	C145K28FB6	121070.00	225
AN6S2TC61Q15	LM03989	80	C143T11FC1	120097.00	65	C145K28FC2	120990.00	226
AN6S3TC61Q15	LM03997	80	C143T11FK2	120485.00	69	C145K34FB12	120728.00	236
AN6S5TC61Q10	LM06127	77	C143T14FB2	121096.00	227	C145K34FB16	120998.00	236
AN6S5TC61Q15	LM04005	80	C143T14FC2	121272.00	228	C145K34FB3	120341.00	17
AN6S7.5TC61Q10	LM06133	77	C143T17DB10	121003.00	33	C145K34FK9	121825.00	27
AN6S7.5TC61Q15	LM04013	80	C143T17DC12	121064.00	59	C145K34NB1	120376.00	176
AN8S1.5TC61Q10	LM06111	77	C143T17DC13	G120172.00	59	C145K34WK2	191482.00	155
AN8S1.5TC61Q15	LM03983	80	C143T17DC14	121678.00	257	C145T11DB7	121517.00	33
AN8S2TC61Q10	LM06117	77	C143T17DK3	G121850.00	121	C145T11DC5	G120082.00	59
AN8S3TC61Q10	LM06123	77	C143T17DK5	121674.00	61	C145T11FB18	G121050.00	258
AN8S3TC61Q15	LM03999	80	C143T17DK6	121935.00	61	C145T11FB20	121520.00	44
AN8S5TC61Q10	LM06129	77	C143T17FB13	120921.00	44	C145T11FB25	171643.60	44
AN8S5TC61Q15	LM04007	80	C143T17FB22	G121679.00	258	C145T11FB31	121938.00	209
C100T11FZ21	193333.60	267	C143T17FB28	G120047.00	222	C145T11FC9	G120095.00	66
C100T11FZ20	193300.60	266	C143T17FB29	121937.00	209	C145T11FK7	121936.00	69
C100T11FZ22	193358.60	268	C143T17FC16	121067.00	66	C145T14FB13	121093.00	227
C100T17FZ41	193301.60	266	C143T17FC22	G120176.00	213	C145T14FB14	121095.00	227
C100T17FZ42	193304.60	266	C143T17FC23	G120024.00	66	C145T14FC5	121277.00	228
C100T17FZ43	193334.60	267	C143T17FC30	121556.00	259	C145T14FC6	121275.00	228
C100T17FZ44	193337.60	267	C143T17FC36	121985.00	252	C145T17DB32	121004.00	34
C100T17FZ45	193359.60	268	C143T17FK16	G121557.00	259	C145T17DB33	121005.00	34
C100T17FZ46	193362.60	268	C143T17FK19	G121855.00	122	C145T17DB64	G120370.00	257
C100T17FZ47	193379.60	269	C143T17FK23	121982.00	252	C145T17DB65	G120371.00	257
C100T17FZ48	193381.60	269	C143T17FK24	121983.00	252	C145T17DC16	120372.00	257
C100T34FZ20	193303.60	266	C143T17FK9	121179.00	69	C145T17DC17	120373.00	257
C100T34FZ21	193336.60	267	C143T17NB6	121098.00	55	C145T17DC30	121063.00	59
C100T34FZ22	193361.60	268	C143T17VC1	120760.00	134	C145T17DC31	121071.00	60
C100T34FZ23	193380.60	269	C143T17VC8	121613.00	138	C145T17DC41	G120035.00	60
C112T11FZ21	193302.60	266	C143T17VK7	121616.00	138	C145T17DC42	G120081.00	59
C112T11FZ22	193335.60	267	C143T17WB4	121865.00	135	C145T17DK14	G121054.00	258
C112T11FZ23	193360.60	268	C143T17WC8	G121652.00	134	C145T17DK15	G121053.00	258
C112T17FZ21	193307.60	266	C143T17WK11	121867.00	136	C145T17DK16	121846.00	119
C112T17FZ22	193340.60	267	C143T17WK14	191487.00	156	C145T17DK17	G121847.00	119
C112T17FZ23	193365.60	268	C143T17WK16	G121579.00	137	C145T17DK18	G121851.00	121
C112T17FZ24	193383.60	269	C143T17XK3	121919.00	102	C145T17DK19	G121852.00	121
C112T34FZ24	193306.60	266	C143T28FC1	121274.00	228	C145T17DK21	121676.00	61
C112T34FZ25	193339.60	267	C143T34DB4	121514.00	34	C145T17DK22	121675.00	61
C112T34FZ26	193364.60	268	C143T34DC5	G121668.00	59	C145T17FB25	171640.60	44
C112T34FZ27	193382.60	269	C143T34FB1	121518.00	44	C145T17FB32	120923.00	45
C132T11FZ58	193305.60	266	C143T34FB5	171642.60	44	C145T17FB33	120922.00	44
C132T11FZ59	193308.60	266	C143T34FC18	G120105.00	66	C145T17FB72	G120329.00	258
C132T11FZ60	193311.60	266	C143T34FK14	G121858.00	122	C145T17FB73	G120330.00	258
C132T11FZ61	193338.60	267	C143T34FK15	121672.00	70	C145T17FB78	171646.60	44
C132T11FZ62	193341.60	267	C143T34NB2	120377.00	176	C145T17FB79	171647.60	45
C132T11FZ63	193344.60	267	C143T34WK10	191486.00	156	C145T17FB87	121934.00	181
C132T11FZ64	193363.60	268	C143T34WK12	191488.00	156	C145T17FB88	G120032.00	222
C132T11FZ65	193366.60	268	C143T34WK9	G121580.00	137	C145T17FB89	G120034.00	222
C132T11FZ66	193369.60	268	C143T48FB6	120944.00	197	C145T17FB90	121940.00	209
C132T17FZ43	193310.60	266	C143T48FB7	120945.00	197	C145T17FB91	121942.00	209
C132T17FZ44	193313.60	266	C143T48FB8	120942.00	198	C145T17FB92	121944.00	181
C132T17FZ45	193343.60	267	C143T48FB9	120943.00	198	C145T17FB98	121997.00	172
C132T17FZ46	193346.60	267	C145C17WB1	120590.00	133	C145T17FB99	121998.00	172
C132T17FZ47	193368.60	268	C145C34DB3	120106.00	8	C145T17FC105	G120038.00	66
C132T17FZ48	193371.60	268	C145C34DC4	121184.00	22	C145T17FC11	120331.00	259
C132T17FZ49	193385.60	269	C145C34DK3	121190.00	120	C145T17FC114	121986.00	252
C132T17FZ50	193387.60	269	C145C34FB1	120036.00	17	C145T17FC115	121987.00	252
C132T34FZ47	193342.60	267	C145C34FC2	120102.00	25	C145T17FC12	120332.00	259
C132T34FZ49	193367.60	268	C145C34FK2	121008.00	27	C145T17FC37	121066.00	66
C132T34FZ45	193309.60	266	C145C34NB1	120375.00	176	C145T17FC38	121065.00	66
C132T34FZ46	193312.60	266	C145D11FK1	128023.00	282	C145T17FC60	G120178.00	213
C132T34FZ48	193345.60	267	C145D17FK2	128000.00	282	C145T17FC61	G120177.00	213
C132T34FZ50	193370.60	268	C145D17FK3	128010.00	282	C145T17FC62	G120037.00	66
C132T34FZ51	193384.60	269	C145K11FB1	120043.00	16	C145T17FK26	121180.00	70
C132T34FZ52	193386.60	269	C145K17DB5	120042.00	8	C145T17FK27	121181.00	70
C143C17DB3	120044.00	8	C145K17DB9	120067.00	8	C145T17FK41	G121051.00	259
C143C17DC2	121002.00	21	C145K17DC4	120073.00	22	C145T17FK42	G121052.00	259
C143C17DK1	120996.00	120	C145K17DK7	120992.00	23	C145T17FK53	G121856.00	122
C143C17FB3	120025.00	16	C145K17DK8	120994.00	120	C145T17FK54	G121857.00	122
C143C17FC2	121001.00	25	C145K17DK9	120995.00	120	C145T17FK60	G151736.60	123
C143C17FK1	121680.00	26	C145K17FB24	121507.00	17	C145T17FK61	G151737.00	123
C143C34DB1	120107.00	8	C145K17FB3	120026.00	16	C145T17FK65	121984.00	252
C143C34FB1	120130.00	16	C145K17FC3	120017.00	25	C145T17NB9	121099.00	55
C143C34FB5	120925.00	236	C145K17FK13	121681.00	26	C145T17VC1	120761.00	134
C143C34FB6	120997.00	236	C145K17FK16	121816.00	257	C145T17WB22	121866.00	135
C143C34FC1	120101.00	25	C145K17FK17	121815.00	257	C145T17WB23	121869.00	135



Leeson Model Number Index

Motors, Sub-FHP Gearmotors, Drives and Accessories

DC Motors

Gearmotors

Ac / DC Controls

Accessories / Kits

Mods / Factory Options

X-Ref / Index

Tech Information

Terms / Warnings

Other Products

Model Number	Catalog Number	Page #	Model Number	Catalog Number	Page #	Model Number	Catalog Number	Page #
C145T17WC19	121615.00	138	C160T34FZ69	193390.60	269	C182T34WK1	132199.00	136
C145T17WC20	121614.00	138	C160T34FZ70	193392.60	269	C182T8FB9	G131478.00	44
C145T17WC27	G120762.00	134	C180T11FZ20	193320.60	266	C184C11FB2	131526.00	16
C145T17WC28	G121655.00	134	C180T11FZ21	193353.60	267	C184C14DB2	131554.00	224
C145T17WC37	G191220.00	157	C180T17FZ41	193322.60	266	C184C14FB6	131557.00	225
C145T17WK21	G121618.00	138	C180T17FZ42	193325.60	266	C184C17DB19	131534.00	9
C145T17WK22	G121617.00	138	C180T17FZ43	193355.60	267	C184C17DC5	131544.00	22
C145T17WK30	121868.00	136	C180T17FZ44	193357.60	267	C184C17FB12	131533.00	17
C145T17WK31	121871.00	136	C180T17FZ45	193393.60	269	C184C17FC4	131545.00	25
C145T17WK35	191489.00	156	C180T17FZ46	193395.60	269	C184K14DB9	131555.00	224
C145T17WK37	191491.00	156	C180T34FZ19	193324.60	266	C184K14FB5	131578.00	225
C145T17WK38	G121581.00	137	C180T34FZ20	193356.60	267	C184K17DB31	131537.00	9
C145T17WK39	G121583.00	137	C180T34FZ21	193394.60	269	C184K17DB32	131560.00	9
C145T17XB27	121917.00	101	C182C14DB3	131553.00	224	C184K17DC6	131539.00	22
C145T17XK6	121920.00	102	C182C14FB6	131556.00	225	C184K17DK14	131605.00	120
C145T17XK7	121921.00	102	C182C17DB8	131515.00	8	C184K17DK18	131853.00	23
C145T17XK8	121922.00	102	C182C17DK2	131604.00	120	C184K17FB15	131538.00	17
C145T28FB4	121097.00	227	C182C17DK3	132073.00	120	C184K17FC6	131540.00	25
C145T28FB5	121094.00	227	C182C17FB11	131509.00	17	C184K28FB2	131638.00	225
C145T28FC1	121276.00	228	C182C17FC3	131516.00	25	C184K34DB3	131616.00	9
C145T34DB15	121515.00	34	C182C17WB3	131571.00	133	C184K34DB8	132044.00	9
C145T34DB16	121516.00	34	C182C34DB2	131847.00	177	C184K34DC2	131777.00	22
C145T34DC10	G121187.00	60	C182D17FK3	128001.00	282	C184K34DK3	131641.00	120
C145T34DC11	G121664.00	60	C182K34DB3	131636.00	9	C184K34DK4	131781.00	23
C145T34DC12	G121670.00	60	C182K34DB4	131848.00	177	C184K34DK6	131881.00	119
C145T34DK12	G121849.00	119	C182K34DK1	131640.00	120	C184K34DK8	132043.00	23
C145T34DK13	G121853.00	121	C182K34DK2	132083.00	23	C184K34FB6	131549.00	17
C145T34DK14	G121854.00	121	C182K34FB2	131637.00	17	C184K34FC2	131778.00	25
C145T34DK16	121928.00	62	C182T11DB9	131971.00	34	C184T11DB9	131972.00	34
C145T34FB33	121519.00	45	C182T11DC4	G132250.00	59	C184T11FB16	G131620.00	258
C145T34FB37	171648.60	45	C182T11FB13	132251.00	209	C184T11FB20	131981.00	45
C145T34FB41	121939.00	209	C182T11FB9	131980.00	44	C184T11FB24	132246.00	181
C145T34FB42	121941.00	209	C182T11FC4	G132249.00	66	C184T11FB25	132247.00	181
C145T34FC38	G120061.00	66	C182T14FC3	131506.00	228	C184T11FB26	132252.00	209
C145T34FC39	G120993.00	67	C182T17DB37	131519.00	34	C184T11FC10	G131525.00	66
C145T34FK37	G121859.00	122	C182T17DB46	G131626.00	257	C184T11FK6	132243.00	70
C145T34FK38	G121860.00	122	C182T17DB57	132232.00	41	C184T14FC3	131508.00	228
C145T34FK39	121673.00	70	C182T17DC20	131518.00	60	C184T17DB44	131520.00	35
C145T34FK43	121929.00	71	C182T17DC21	131624.00	257	C184T17DB63	G131627.00	257
C145T34NB1	120378.00	176	C182T17DC28	G131489.00	60	C184T17DB77	132233.00	41
C145T34NB2	120379.00	176	C182T17DK14	G131558.00	258	C184T17DB78	G131500.00	221
C145T34VC1	121040.00	134	C182T17DK17	132081.00	62	C184T17DC16	131517.00	60
C145T34VK1	121039.00	136	C182T17DK19	G131562.00	121	C184T17DC18	131625.00	257
C145T34WK21	191492.00	156	C182T17DK20	G131882.00	119	C184T17DC27	G131490.00	60
C145T34WK22	G121582.00	137	C182T17FB42	171320.60	45	C184T17DK21	G131559.00	258
C145T34WK23	G121584.00	137	C182T17FB43	G131613.00	258	C184T17DK26	132082.00	62
C145T34WK26	191490.00	156	C182T17FB50	132237.00	56	C184T17DK28	G131563.00	121
C145T34WK28	121870.00	136	C182T17FB51	G131465.00	222	C184T17DK29	G131883.00	119
C145T48FB48	120940.00	197	C182T17FB52	132253.00	210	C184T17FB1	171623.60	90
C145T48FB59	120946.00	197	C182T17FB54	132328.00	172	C184T17FB1	171630.60	90
C145T48FB60	120941.00	197	C182T17FC26	131503.00	67	C184T17FB42	131464.00	46
C145T48FB61	120947.00	197	C182T17FC28	131610.00	259	C184T17FB43	171322.60	46
C145T8FB5	121199.00	43	C182T17FC35	G131491.00	67	C184T17FB52	G131614.00	258
C145T9FC3	121273.00	228	C182T17FC36	G131498.00	213	C184T17FB62	132236.00	56
C160L17FZ46	193352.60	267	C182T17FK1	194001.00	156	C184T17FB63	G131466.00	222
C160T11F240	193317.60	266	C182T17FK14	131504.00	71	C184T17FB64	132255.00	210
C160T11F239	193314.60	266	C182T17FK17	G131617.00	259	C184T17FB67	132329.00	172
C160T11F241	193347.60	267	C182T17FK24	G151739.60	123	C184T17FC29	131501.00	67
C160T11F242	193350.60	267	C182T17FK26	G131579.00	122	C184T17FC34	131611.00	259
C160T11F243	193372.60	268	C182T17FK27	171565.60	71	C184T17FC36	131612.00	259
C160T11F244	193375.60	268	C182T17WB10	132196.00	135	C184T17FC46	G131492.00	67
C160T17F244	193319.60	266	C182T17WC10	G131923.00	161	C184T17FC47	G131499.00	213
C160T17FZ43	193316.60	266	C182T17WC9	G131596.00	134	C184T17FK1	194003.00	156
C160T17FZ45	193349.60	267	C182T17WK13	132198.00	136	C184T17FK15	131502.00	71
C160T17FZ47	193374.60	268	C182T17WK15	G131967.00	137	C184T17FK19	G131618.00	259
C160T17FZ48	193377.60	268	C182T17WK16	G131996.00	162	C184T17FK31	G151741.60	123
C160T17FZ49	193389.60	269	C182T28FB3	131480.00	227	C184T17FK33	G131581.00	122
C160T17FZ50	193391.60	269	C182T28FC2	131505.00	228	C184T17FK35	171566.60	71
C160T34FZ59	193315.60	266	C182T34DC11	G131779.00	60	C184T17WB8	132197.00	135
C160T34FZ60	193318.60	266	C182T34DK12	G131574.00	121	C184T17WC8	G131597.00	134
C160T34FZ61	193321.60	266	C182T34DK13	G131884.00	119	C184T17WC9	G131924.00	161
C160T34FZ62	193348.60	267	C182T34FB7	171624.60	210	C184T17WK15	132201.00	136
C160T34FZ63	193351.60	267	C182T34FB72	131985.00	45	C184T17WK16	132208.00	160
C160T34FZ64	193354.60	267	C182T34FC6	G131513.00	67	C184T17WK17	G131969.00	137
C160T34FZ65	193373.60	268	C182T34FK1	194000.00	156	C184T17WK18	G131998.00	162
C160T34FZ66	193376.60	268	C182T34FK10	132079.00	71	C184T28FB14	131481.00	227
C160T34FZ67	193378.60	268	C182T34FK12	G151738.60	123	C184T28FC3	131507.00	228
C160T34FZ68	193388.60	269	C182T34FK14	171564.60	71	C184T34DB11	131986.00	35



Leeson Model Number Index

Motors, Sub-FHP Gearmotors, Drives and Accessories

Model Number	Catalog Number	Page #	Model Number	Catalog Number	Page #	Model Number	Catalog Number	Page #
C184T34DB12	131988.00	35	C213T17FC9	G141113.00	67	C215T17FK6	G140639.00	259
C184T34DB8	131849.00	177	C213T17FK1	194005.00	156	C215T17WB5	140820.00	135
C184T34DB9	131850.00	177	C213T17FK10	G140605.00	259	C215T17WC3	G140465.00	134
C184T34DC9	G131780.00	60	C213T17FK17	G151743.60	123	C215T17WK10	140828.00	160
C184T34DK18	G131576.00	121	C213T17FK23	G140622.00	122	C215T17WK12	G140735.00	137
C184T34DK19	G131885.00	119	C213T17FK7	140521.00	71	C215T17WK13	G140743.00	162
C184T34DK20	132242.00	62	C213T17FW1	171622.60	90	C215T17WK9	140821.00	136
C184T34DK21	132244.00	62	C213T17WB6	140819.00	135	C215T34DB3	140641.00	177
C184T34FB20	131987.00	46	C213T17WC3	G140467.00	134	C215T34DB3	170064.60	35
C184T34FB24	132254.00	210	C213T17WK10	140826.00	160	C215T34DB4	140754.00	35
C184T34FC22	G131510.00	67	C213T17WK13	G140733.00	137	C215T34DK2	G140656.00	119
C184T34FC23	G131514.00	67	C213T17WK14	G140741.00	162	C215T34DK3	141119.00	62
C184T34FC24	G131912.00	67	C213T17WK9	140822.00	136	C215T34DK9	170173.60	62
C184T34FK1	194002.00	156	C213T34DB4	140753.00	35	C215T34DK9	G151380.60	121
C184T34FK32	132080.00	71	C213T34DB45	170143.60	35	C215T34FB11	140755.00	47
C184T34FK35	G151740.60	123	C213T34DK2	G140655.00	119	C215T34FB13	170615.60	47
C184T34FK38	G151742.60	123	C213T34DK5	G141121.00	121	C215T34FB47	170159.60	47
C184T34FK39	G131580.00	122	C213T34DK6	141111.00	62	C215T34FB48	170197.60	210
C184T34FK40	G131582.00	122	C213T34FB1	140756.00	46	C215T34FC4	G140690.00	67
C184T34FK41	G132027.00	122	C213T34FB43	170196.60	210	C215T34FC43	G151347.60	67
C184T34FK44	171446.60	71	C213T34FC43	G151345.60	67	C215T34FC44	G151349.60	68
C184T34FK48	132313.00	71	C213T34FK1	140769.00	72	C215T34FC5	G140691.00	68
C184T34MB6	132204.00	135	C213T34FK1	194004.00	156	C215T34FK1	194006.00	156
C184T34WB5	132202.00	135	C213T34FK2	G141122.00	122	C215T34FK10	G140764.00	122
C184T34WB6	132306.00	135	C213T34FK4	G151744.60	123	C215T34FK11	140770.00	71
C184T34WC6	G131594.00	134	C213T34FK5	131454.00	227	C215T34FK14	G151746.60	123
C184T34WC7	G131595.00	134	C213T34FK5	170166.60	71	C215T34FK15	170168.60	72
C184T34WC8	G131949.00	161	C213T34FW1	171616.60	90	C215T34FW1	171617.60	90
C184T34WK10	132200.00	136	C213T34WK4	140825.00	160	C215T34WC2	G140737.00	134
C184T34WK11	132207.00	160	C213T34WK5	G140740.00	162	C215T34WC4	G140738.00	134
C184T34WK12	G131968.00	137	C213T34WK6	141120.00	136	C215T34WK11	140827.00	160
C184T34WK13	G131970.00	137	C213T3DK7	170171.60	62	C215T34WK12	G140742.00	162
C184T34WK14	G131997.00	162	C213T8FB3	G140516.00	45	C215T34WK5	G140734.00	137
C184T34WK17	132205.00	136	C215K11FB3	140747.00	17	C215T34WK6	G140736.00	137
C184T48FB61	131468.00	197	C215K17DB2	140155.00	9	C215T34WK9	140823.00	136
C184T48FB62	131469.00	197	C215K17DB4	140311.00	9	C215T48FB43	140445.00	198
C184T48FB63	131470.00	198	C215K17DB5	140806.00	23	C215T48FB44	140446.00	198
C184T48FB64	131471.00	198	C215K17DK1	140665.00	120	C215T48FB45	140443.00	197
C184T48FB65	131472.00	198	C215K17DK2	140666.00	120	C215T48FB46	140447.00	197
C184T48FB66	131473.00	198	C215K17FB12	140581.00	17	C215T48FB47	140444.00	197
C184T48FB67	131474.00	197	C215K17FK4	140678.00	27	C215T48FB48	140448.00	197
C184T48FB68	131475.00	197	C215K17FK6	140807.00	27	C215T8FB1	G151809.22	45
C184T8FB6	G131479.00	44	C215K34DB1	140681.00	9	C225T11FZ21	193329.60	266
C184T11DC5	G132059.00	60	C215K34DB2	140640.00	177	C225T17FZ21	193331.60	266
C185T17WK14	132206.00	160	C215K34DB3	141084.00	177	C225T17FZ22	193399.60	269
C200T11FZ39	193323.60	266	C215K34DK1	140647.00	119	C242C17FZ7	096052.00	327
C200T11FZ40	193326.60	266	C215K34DK2	140644.00	120	C250T11FZ19	193332.60	266
C200T17FZ21	193328.60	266	C215K34FB1	140685.00	17	C254T11FB3	170122.60	46
C200T17FZ22	193397.60	269	C215K34FK1	140695.00	27	C254T11FB9	170138.60	71
C200T34FZ37	193327.60	266	C215T11DB6	171575.60	35	C254T11FW1	171636.60	90
C200T34FZ38	193330.60	266	C215T11FB1	171379.60	46	C254T17DB12	G151540.60	175
C200T34FZ39	193396.60	269	C215T11FB11	131463.00	45	C254T17DB45	170540.60	175
C200T34FZ40	193398.60	269	C215T11FB11	171116.60	71	C254T17DB9	170065.60	35
C213K34DB1	140680.00	9	C215T11FB11	170158.60	46	C254T17DC3	G151682.60	60
C213K34DK1	140646.00	119	C215T11FC3	G140535.00	67	C254T17DK7	170175.60	62
C213K34DK2	140642.00	120	C215T11FK9	140834.00	71	C254T17DK7	G151361.60	121
C213K34FB1	140684.00	17	C215T11FW1	171635.60	90	C254T17FB10	170066.60	47
C213K34FK1	140694.00	27	C215T17DB15	140472.00	35	C254T17FB11	170116.60	211
C213T11DB2	171574.60	34	C215T17DB23	G140635.00	257	C254T17FC5	G151350.60	68
C213T11DC5	G140765.00	60	C215T17DB33	G140004.00	221	C254T17FK1	194009.00	156
C213T11FB1	171378.60	45	C215T17DB49	170144.60	35	C254T17FK10	G151747.60	123
C213T11FB2	G140601.00	258	C215T17DB54	G151828.60	175	C254T17FK8	171587.60	72
C213T11FC1	G141114.00	67	C215T17DC8	G140108.00	60	C254T17W1	171632.60	90
C213T11FW1	171634.60	90	C215T17DK11	G140619.00	121	C254T34DB5	170032.60	35
C213T17DB14	140831.00	41	C215T17DK12	G140668.00	119	C254T34DC3	G151683.60	60
C213T17DB15	G141124.00	221	C215T17DK13	170172.60	62	C254T34DK5	G151381.60	121
C213T17DB2	140470.00	35	C215T17DK4	G140638.00	258	C254T34DK6	170070.60	62
C213T17DB44	170142.60	35	C215T17DK6	140768.00	62	C254T34FB4	170062.60	47
C213T17DB7	G140611.00	257	C215T17FB1	171631.60	90	C254T34FB5	170198.60	211
C213T17DC11	G140580.00	60	C215T17FB18	140451.00	47	C254T34FK1	194008.00	156
C213T17DC5	140485.00	60	C215T17FB23	141146.00	172	C254T34FK10	G151748.60	123
C213T17DC7	140483.00	60	C215T17FB25	G140636.00	258	C254T34FK11	G151567.60	122
C213T17DK13	G140618.00	121	C215T17FB29	G140013.00	223	C254T34FK12	G151569.60	122
C213T17DK14	G140667.00	119	C215T17FB43	170140.60	47	C254T34FK8	171586.60	72
C213T17DK15	170170.60	62	C215T17FB44	170212.60	210	C254T34FW1	171620.60	90
C213T17DK5	G140610.00	258	C215T17FC10	G140109.00	67	C254T8FB5	G151355.22	46
C213T17DK7	140767.00	62	C215T17FC4	140484.00	67	C256T11DB45	170146.60	35
C213T17F43	170157.60	46	C215T17FC42	G151348.60	67	C256T11FB1	171637.60	90
C213T17FB11	G140603.00	258	C215T17FC8	140637.00	259	C256T11FB11	170139.60	72
C213T17FB18	140832.00	56	C215T17FK1	194007.00	156	C256T11FB4	170123.60	47
C213T17FB19	G141123.00	223	C215T17FK13	G151745.60	123	C256T17DB10	170541.60	175
C213T17FB20	141116.00	210	C215T17FK18	G140623.00	122	C256T17DB5	170006.60	35
C213T17FB22	141145.00	172	C215T17FK19	140833.00	178	C256T17DB7	G151541.60	175
C213T17FB6	140450.00	46	C215T17FK20	131459.00	227	C256T17DB7	G151541.60	175
C213T17FC42	G151346.60	67	C215T17FK20	170167.60	72	C256T17DC5	G151684.60	60
C213T17FC7	140486.00	67	C215T17FK3	140522.00	72	C256T17DK5	G151362.60	121



Leeson Model Number Index

Motors, Sub-FHP Gearmotors, Drives and Accessories

DC Motors

Gearmotors

Ac / DC Controls

Accessories / Kits

Mods / Factory Options

X-Ref / Index

Tech Information

Terms / Warnings

Other Products

Model Number	Catalog Number	Page #	Model Number	Catalog Number	Page #	Model Number	Catalog Number	Page #
C256T17DK6	170071.60	62	C326T17DK4	170379.60	63	C42T17FZ32	096069.00	335
C256T17FB4	170007.60	47	C326T17FB7	170023.60	49	C42T17FZ33	096070.00	335
C256T17FB5	170117.60	211	C326T17FB8	170121.60	211	C42T17FZ34	096065.00	335
C256T17FC4	G151352.60	68	C326T17FC5	G151510.60	68	C42T17NB1	092015.00	55
C256T17FK1	194011.00	156	C326T17FK5	171594.60	73	C42T34NB2	092014.00	55
C256T17FK10	G151749.60	123	C326T34DB5	170042.60	36	C42T34NB3	092016.00	55
C256T17FK5	G151570.60	122	C326T34FB4	170041.60	49	C444T11DB4	170255.60	37
C256T17FK8	171589.60	72	C326T34FK5	170112.60	73	C444T11FB6	170256.60	50
C256T17FW1	171633.60	90	C326T34FK7	G151756.60	123	C444T17DB2	171522.60	37
C256T34DB5	170034.60	36	C326T8FB2	G150265.22	48	C444T17FB5	170369.60	50
C256T34DC2	G151685.60	60	C364T11DB1	170147.60	36	C444T34FB8	171580.60	50
C256T34DK5	G151382.60	121	C364T11FB4	170096.60	49	C444T35DB1	171573.60	37
C256T34DK6	171688.60	63	C364T17DB7	170025.60	36	C445T11DB4	170259.60	37
C256T34FB10	170033.60	47	C364T17DK2	171689.60	63	C445T11DB5	171576.60	37
C256T34FB11	170199.60	211	C364T17FB6	170027.60	49	C445T11FB5	170260.60	50
C256T34FC5	G151351.60	68	C364T17FB7	170239.60	212	C445T17DB10	G151524.60	38
C256T34FK1	194010.00	156	C364T17FC10	G151519.60	68	C445T17DB11	G151525.60	38
C256T34FK3	171588.60	72	C364T17FK5	171595.60	73	C445T17DB14	171523.60	37
C256T34FK7	G151750.60	123	C364T34DB3	170044.60	37	C445T17FB8	170371.60	51
C256T34FK8	G151417.60	122	C364T34FB3	170043.60	49	C445T34FB3	171578.60	51
C256T34FW1	171621.60	90	C364T34FK3	170114.60	73	C447T11DB1	171577.60	37
C256T8FB42	G151356.22	46	C365T11DB1	170148.60	36	C447T11FB1	171315.60	51
C283T34DC3	G151687.60	60	C365T11FB5	170097.60	49	C447T17FB8	170352.60	51
C284T11FB4	170068.60	47	C365T17BK2	171690.60	63	C447T34FB3	171579.60	51
C284T11FB9	170104.60	72	C365T17DB5	170029.60	37	C449T11FB1	171316.60	51
C284T11FW1	171638.60	90	C365T17FB4	170031.60	50	C449T11FB1	170160.60	50
C284T17DB11	G151829.60	175	C365T17FB5	170244.60	212	C449T17FB10	G151530.60	52
C284T17DB7	170009.60	36	C365T17FK6	171596.60	73	C449T17FB3	G151516.60	51
C284T17DK4	170073.60	63	C365T34DB4	170151.60	37	C449T17FB9	G151529.60	52
C284T17FB5	170011.60	48	C365T34FB3	170045.60	50	C4C11FB3	102013.00	15
C284T17FB6	170118.60	211	C365T34FK3	171115.60	73	C4C11FB4	102015.00	15
C284T17FC5	G151507.60	68	C404T11DB5	170149.60	36	C4C11FB5	102019.00	15
C284T17FK1	194013.00	156	C404T11FB3	170098.60	49	C4C17DB12	100338.00	7
C284T17FK5	171591.60	72	C404T17DB5	170152.60	37	C4C17DC10	100026.00	21
C284T17FK6	G151418.60	122	C404T17DK2	171691.60	63	C4C17DC7	100023.00	21
C284T17FK8	G151751.60	123	C404T34DB1	170154.60	37	C4C17DC8	100024.00	21
C284T34DB4	170036.60	36	C405T11DB6	170150.60	37	C4C17DC9	100025.00	21
C284T34FB5	170035.60	48	C405T11FB5	170099.60	50	C4C17DH106	101781.00	236
C284T34FB6	170224.60	211	C405T17DB6	170155.60	37	C4C17DH7	100006.00	7
C284T34FK1	194012.00	156	C405T17FB4	170087.60	50	C4C17DH8	100007.00	7
C284T34FK12	G151420.60	122	C405T17FB5	170253.60	212	C4C17DH9	100008.00	7
C284T34FK5	171590.60	72	C405T17FK2	171597.60	74	C4C17DJ5	100014.00	13
C284T34FK8	170619.60	72	C405T34DB2	171449.60	37	C4C17DJ6	100015.00	13
C284T8FB2	G150282.22	47	C42C17FB1	092116.00	15	C4C17DJ7	100016.00	13
C286T11DB1	170000.60	33	C42C17FB2	092114.00	15	C4C17DK18	101651.00	23
C286T11FB6	170001.60	47	C42C17FB3	092111.00	15	C4C17DK19	101650.00	23
C286T11FW1	171639.60	90	C42C17FZ4	096049.00	327	C4C17DK32	103023.00	23
C286T17DB12	G151542.60	175	C42C17FZ5	096050.00	327	C4C17FB21	102014.00	15
C286T17DB13	170542.60	175	C42C17FZ6	096051.00	327	C4C17FB23	102012.00	15
C286T17DB8	170013.60	36	C42C17NB1	092012.00	18	C4C17FB3	100955.00	15
C286T17DK5	171377.60	63	C42C34FB3	092112.00	18	C4C17FB4	100956.00	15
C286T17DK5	170165.60	71	C42C34NB1	092011.00	18	C4C17FC10	101765.00	24
C286T17FB5	170015.60	48	C42C34NB2	092013.00	18	C4C17FC25	102661.00	24
C286T17FB6	170119.60	211	C42D17FK1	098000.00	18	C4C17FC26	102663.00	24
C286T17FC5	G151508.60	68	C42D17FK11	098069.00	18	C4C17FC27	102665.00	24
C286T17FK1	194015.00	156	C42D17FK2	098002.00	18	C4C17FC32	102862.00	24
C286T17FK11	G151422.60	122	C42D17FK3	098003.00	61	C4C17FC34	102866.00	24
C286T17FK4	171592.60	73	C42D17FK4	098004.00	44	C4C17FC9	101766.00	24
C286T17FK7	G151753.60	123	C42D17FK5	098005.00	66	C4C17FH28	102906.00	15
C286T34DB3	170038.60	36	C42D17FK6	098008.00	18	C4C17FH31	102931.00	15
C286T34FB4	170037.60	48	C42D17FK7	098032.00	18	C4C17FK4	102916.00	26
C286T34FB6	170228.60	211	C42D17VK1	098375.00	311	C4C17FK5	102907.00	26
C286T34FK1	194014.00	156	C42D17VK2	098376.00	18	C4C17FK6	102930.00	26
C286T34FK11	170620.60	73	C42D28FK1	098006.00	282	C4C17NB4	100361.00	18
C286T34FK14	170108.60	73	C42D28FK2	098007.00	282	C4C17NC25	102867.00	24
C286T34FK16	G151424.60	122	C42D28FK3	098009.00	282	C4C17NC26	102868.00	24
C286T34FK7	G151752.60	123	C42D28FK4	098010.00	282	C4C17NH9	102914.00	18
C324T11DB5	170002.60	34	C42P17FZ1	096004.00	327	C4C17NK2	102910.00	26
C324T11FB3	170003.60	18	C42P17FZ2	096005.00	327	C4C34DB1	100184.00	7
C324T17DB8	170017.60	18	C42P17FZ3	096006.00	327	C4C34DB15	101782.00	236
C324T17DK10	170378.60	18	C42P17FZ4	096007.00	327	C4C34DC11	100354.00	21
C324T17FB5	170019.60	18	C42P17FZ5	096008.00	327	C4C34DC13	100356.00	21
C324T17FB6	170120.60	18	C42P17FZ6	096009.00	327	C4C34DC14	100357.00	21
C324T17FC5	G151509.60	18	C42P17FZ7	096010.00	327	C4C34DH11	100336.00	7
C324T17FK12	G151426.60	18	C42P17FZ8	096011.00	327	C4C34DH12	100337.00	7
C324T17FK5	171593.60	61	C42P17NZ1	096000.00	327	C4C34DH13	100340.00	7
C324T17FK8	G151755.60	44	C42P17NZ2	096001.00	327	C4C34DK10	103024.00	23
C324T34DB3	170040.60	66	C42P17NZ3	096002.00	327	C4C34DK11	103025.00	23
C324T34FB3	170039.60	18	C42P17NZ4	096003.00	327	C4C34FB10	102016.00	15
C324T34FB4	170232.60	18	C42T17FZ14	096013.00	327	C4C34FB9	102020.00	15
C324T34FK8	170110.60	311	C42T17FZ15	096014.00	327	C4C34FC12	102864.00	24
C324T34FK9	G151754.60	18	C42T17FZ16	096015.00	327			
C326T11DB1	170004.60	36	C42T17FZ17	096016.00	327			
C326T11FB3	170005.60	48	C42T17FZ29	096066.00	335			
C326T17DB5	170021.60	36	C42T17FZ30	096067.00	335			
			C42T17FZ31	096068.00	335			



Leeson Model Number Index

Motors, Sub-FHP Gearmotors, Drives and Accessories

Model Number	Catalog Number	Page #	Model Number	Catalog Number	Page #	Model Number	Catalog Number	Page #
C4C34FC13	102870.00	24	C4T17NH12	102918.00	55	C6C17FK92	117701.00	29
C4C34FH8	102905.00	15	C4T17NH13	102920.00	55	C6C17FK93	117703.00	29
C4C34FK16	102929.00	26	C4T17NH8	101649.00	55	C6C17FK94	117702.00	29
C4C34FK17	102903.00	26	C4T17NK2	102919.00	69	C6C17NK19	114165.00	257
C4C34NB2	100362.00	18	C4T17NK3	102921.00	69	C6C17WB1	112431.00	133
C4C34NB3	100366.00	18	C4T28FB1	102690.00	227	C6C17WB2	112432.00	133
C4C34NC15	102873.00	24	C4T28FB2	102686.00	227	C6C17WB3	112626.00	133
C4D17VK1	108226.00	142	C4T28FC1	102691.00	228	C6C17WC2	114311.00	133
C4D17VK10	108424.00	142	C4T28FC2	102687.00	228	C6C17WC3	114313.00	133
C4D17VK2	108227.00	142	C4T34DB3	101447.00	33	C6C17WC4	114315.00	133
C4D17VK3	108228.00	142	C4T34DC1	100056.00	59	C6C17WC5	114317.00	133
C4D17VK4	108229.00	142	C4T34DC2	100375.00	59	C6C17WC6	114319.00	133
C4D17VK9	108423.00	142	C4T34DC20	101637.00	115	C6C17WK14	191475.00	155
C4D17WK1	108230.00	142	C4T34DC21	101638.00	115	C6C17WK15	191477.00	155
C4D17WK2	108231.00	142	C4T34DC25	102197.00	115	C6C17WK16	191479.00	155
C4D17WK3	108232.00	142	C4T34DC26	102198.00	115	C6C17WK2	112526.00	133
C4S46DJ1	101021.00	191	C4T34DC3	100378.00	59	C6C17WK3	112527.00	133
C4S46DR1	101020.00	191	C4T34DH7	101448.00	33	C6C17WK4	112528.00	133
C4T11NC1	101291.00	65	C4T34DH8	101449.00	33	C6C17WK5	112529.00	133
C4T14FB3	102692.00	227	C4T34DK1	100600.00	61	C6C17WK6	113300.00	133
C4T14FB4	102685.00	227	C4T34DK5	101776.00	115	C6C28DB24	113901.00	224
C4T14FB5	102688.00	227	C4T34DK6	101775.00	115	C6C28DB25	113902.00	224
C4T14FC2	102184.00	228	C4T34DK8	102199.00	115	C6C28DB26	113903.00	224
C4T14FC3	102694.00	228	C4T34DK9	102971.00	61	C6C28DB27	113904.00	224
C4T14FC4	102689.00	228	C4T34FB2	100905.00	43	C6C28DB28	113905.00	224
C4T14FH1	102183.00	227	C4T34FB3	100960.00	43	C6C28DR1	114222.00	226
C4T14FH2	102693.00	227	C4T34FB5	102684.00	43	C6C28DR2	114224.00	226
C4T17DB2	100446.00	33	C4T34NB3	101013.00	55	C6C28DR3	114226.00	226
C4T17DC1	100048.00	59	C4T34NC11	101965.00	65	C6C28DR4	114228.00	226
C4T17DC2	100049.00	59	C4T34NC4	100449.00	65	C6C28FB24	113928.00	225
C4T17DC3	100050.00	59	C63T17FZ1	192011.00	266	C6C28FB25	113916.00	225
C4T17DC39	102200.00	59	C63T17FZ2	192018.00	268	C6C28FB26	113917.00	225
C4T17DC45	102695.00	59	C63T17FZ3	192015.00	267	C6C28FB27	113918.00	225
C4T17DC47	103014.00	59	C63T17FZ4	192089.00	269	C6C28FB28	113919.00	225
C4T17DH1	100027.00	33	C63T34FZ1	192010.00	266	C6C28FB29	113920.00	225
C4T17DH2	100028.00	33	C63T34FZ10	192097.00	269	C6C28FC3	113912.00	226
C4T17DH3	100029.00	33	C63T34FZ2	192020.00	266	C6C28FC4	113913.00	226
C4T17DH39	103017.00	33	C63T34FZ3	192017.00	268	C6C28FC5	113914.00	226
C4T17DH4	100030.00	33	C63T34FZ4	192027.00	268	C6C28FC6	113915.00	226
C4T17DH40	103018.00	33	C63T34FZ5	192014.00	267	C6C34DB19	110360.00	8
C4T17DJ1	100145.00	40	C63T34FZ6	192024.00	267	C6C34DB20	110361.00	8
C4T17DJ1	100145.00	40	C63T34FZ7	192088.00	269	C6C34DB22	110363.00	8
C4T17DJ2	100146.00	40	C6C11DB1	110001.00	7	C6C34DB71	114216.00	236
C4T17DJ3	100210.00	40	C6C11DB2	110002.00	7	C6C34DC24	110384.00	21
C4T17DK1	100599.00	61	C6C11DB3	110003.00	7	C6C34DC26	110387.00	22
C4T17DK10	103022.00	61	C6C11DC2	110381.00	21	C6C34DC28	110390.00	22
C4T17DK2	100601.00	61	C6C11DC3	110382.00	21	C6C34DK6	116769.00	23
C4T17DK3	100602.00	61	C6C11FB1	110009.00	15	C6C34FB15	110276.00	16
C4T17DK9	103021.00	61	C6C11FB2	110011.00	15	C6C34FB21	110352.00	17
C4T17FB10	101647.00	43	C6C11FB7	114617.00	15	C6C34FB5	110059.00	16
C4T17FB4	100961.00	43	C6C11FC1	110411.00	24	C6C34FB6	110094.00	16
C4T17FB9	101646.00	43	C6C14DB5	110394.00	224	C6C34FC10	110416.00	25
C4T17FC10	101769.00	65	C6C14DB6	110395.00	224	C6C34FC12	110419.00	25
C4T17FC12	101780.00	65	C6C14DB7	110396.00	224	C6C34FC14	110422.00	25
C4T17FC19	101981.00	65	C6C14DB8	110397.00	224	C6C34FC8	110413.00	24
C4T17FC30	102664.00	65	C6C14DR16	114227.00	226	C6C34FK1	110180.00	26
C4T17FC31	102662.00	65	C6C14DR17	114229.00	226	C6C34FK19	110909.00	26
C4T17FC32	102666.00	65	C6C14DR18	114223.00	226	C6C34FK36	112135.00	26
C4T17FC33	102696.00	65	C6C14DR19	114225.00	226	C6C34FK52	113931.00	27
C4T17FC40	102860.00	65	C6C14FB1	110064.00	225	C6C34NB15	111332.00	176
C4T17FC9	101767.00	65	C6C14FB2	110065.00	225	C6C34NB16	111333.00	176
C4T17FH1	100913.00	43	C6C14FB3	110066.00	225	C6C34NB19	111949.00	176
C4T17FH12	103019.00	43	C6C14FB6	110423.00	225	C6C34WC2	114310.00	133
C4T17FH13	103020.00	43	C6C17DB2	110004.00	8	C6C34WC3	114312.00	133
C4T17FH16	103700.00	172	C6C17DC3	110220.00	21	C6C34WC4	114314.00	133
C4T17FH3	101051.00	209	C6C17DK11	113930.00	23	C6C34WC5	114316.00	133
C4T17FH6	101079.00	43	C6C17DR37	113027.00	13	C6C34WC6	114318.00	133
C4T17FK10	102917.00	69	C6C17FB17	110209.00	16	C6C34WK18	191474.00	155
C4T17FK11	102922.00	69	C6C17FB2	110013.00	16	C6C34WK19	191476.00	155
C4T17FK2	102024.00	69	C6C17FC175	117704.00	29	C6C34WK2	113580.00	133
C4T17FK5	102697.00	69	C6C17FC176	117705.00	29	C6C34WK20	191478.00	155
C4T17NB3	100123.00	55	C6C17FC177	117706.00	29	C6C34WK3	113581.00	133
C4T17NB5	100443.00	55	C6C17FC6	110057.00	24	C6C34WK4	113582.00	133
C4T17NC11	100486.00	65	C6C17FC7	110058.00	25	C6C34WK5	113584.00	133
C4T17NC28	101648.00	65	C6C17FK20	111950.00	257	C6C34WK6	113583.00	133
C4T17NC35	101966.00	65	C6C17FK4	110905.00	26	C6C34WK9	114637.00	133
C4T17NC46	102861.00	65	C6C17FK5	110908.00	26	C6C46DR2	111954.00	191
C4T17NC47	102863.00	65	C6C17FK50	114167.00	257	C6C46DR5	113672.00	191



Leeson Model Number Index

Motors, Sub-FHP Gearmotors, Drives and Accessories

- DC Motors
- Gearmotors
- Ac / DC Controls
- Accessories / Kits
- Mods / Factory Options
- X-Ref / Index
- Tech Information
- Terms / Warnings
- Other Products

Model Number	Catalog Number	Page #	Model Number	Catalog Number	Page #	Model Number	Catalog Number	Page #
C6D17EK1	118015.00	284	C6T17DB7	110430.00	34	C6T17FC8	110204.00	213
C6D17EK2	118016.00	284	C6T17DB77	115827.00	33	C6T17FC9	110451.00	66
C6D17EK3	118017.00	284	C6T17DB78	115826.00	34	C6T17FC91	113890.00	67
C6D17EK4	118018.00	284	C6T17DB79	115825.00	34	C6T17FK1	110679.00	259
C6D17EK5	118019.00	284	C6T17DB90	116595.00	34	C6T17FK100	117708.00	252
C6K11FB1	110400.00	16	C6T17DB91	116754.00	34	C6T17FK101	117709.00	252
C6K11FC2	110414.00	24	C6T17DB92	116752.00	33	C6T17FK102	117710.00	252
C6K14DB1	110398.00	224	C6T17DB95	116738.00	33	C6T17FK48	114155.00	259
C6K14DR12	114231.00	226	C6T17DB96	116756.00	34	C6T17FK49	114154.00	259
C6K14DR13	114233.00	226	C6T17DC1	110043.00	59	C6T17FK5	110916.00	69
C6K14FB1	110424.00	225	C6T17DC2	110044.00	59	C6T17FK58	114624.00	69
C6K17DB1	110005.00	8	C6T17DC53	114156.00	257	C6T17FK6	110912.00	69
C6K17DC4	110388.00	22	C6T17DC54	114166.00	257	C6T17FK7	110918.00	70
C6K17DK16	113932.00	23	C6T17DC55	114157.00	257	C6T17FK76	116106.00	70
C6K17FB9	110253.00	16	C6T17DC68	114934.00	59	C6T17FK77	116107.00	71
C6K17FC2	110420.00	25	C6T17DC77	115553.00	60	C6T17FK81	191211.00	156
C6K17FC9	112136.00	25	C6T17DC80	116740.00	59	C6T17FK82	191217.00	156
C6K17FK2	110910.00	26	C6T17DC81	116741.00	59	C6T17FK83	191223.00	156
C6K17FK21	111951.00	257	C6T17DC82	116742.00	60	C6T17FK90	116388.00	71
C6K17WK1	191481.00	155	C6T17DC83	116766.00	257	C6T17FK96	116746.00	70
C6K28DB5	113937.00	224	C6T17DK28	116630.00	61	C6T17FK97	116747.00	70
C6K28FB2	113936.00	225	C6T17DK29	116631.00	62	C6T17FK98	116745.00	69
C6K34DK19	116770.00	23	C6T17DK3	110901.00	61	C6T17FK99	117707.00	252
C6K34DK20	116771.00	23	C6T17DK30	116762.00	61	C6T17FR1	111918.00	53
C6K34WK2	191480.00	155	C6T17DK31	116765.00	61	C6T17NB4	110199.00	209
C6K46DR1	111955.00	191	C6T17DK32	116764.00	61	C6T17NB50	114150.00	258
C6K46DR3	113373.00	191	C6T17DK33	116763.00	61	C6T17NB51	114151.00	258
C6P34NK5	113939.00	179	C6T17DK4	110902.00	61	C6T17NB53	114309.00	55
C6S46DR1	111953.00	191	C6T17DK7	111326.00	258	C6T17NC10	110176.00	213
C6S46DR2	113643.00	191	C6T17DK8	111327.00	258	C6T17NC194	114158.00	259
C6T11DB1	110027.00	33	C6T17DK9	111328.00	258	C6T17NC298	191208.00	157
C6T11DB2	110028.00	33	C6T17DR1	110052.00	40	C6T17NC310	191290.00	157
C6T11DB3	110425.00	33	C6T17DR29	114197.00	40	C6T17NC328	191202.00	157
C6T11DC1	110434.00	59	C6T17DR4	110433.00	40	C6T17NC329	191205.00	157
C6T11DC11	116728.00	59	C6T17FB4	110433.00	40	C6T17NK1	110669.00	259
C6T11FB13	113933.00	44	C6T17FB1	110034.00	43	C6T17NK2	110670.00	259
C6T11FB15	114148.00	258	C6T17FB113	115751.00	135	C6T17NK29	191201.00	156
C6T11FB16	114149.00	258	C6T17FB119	115828.00	45	C6T17NK3	110671.00	259
C6T11FB17	114930.00	44	C6T17FB120	115830.00	44	C6T17NK30	191204.00	156
C6T11FB2	110353.00	44	C6T17FB121	115829.00	44	C6T17NK31	191207.00	156
C6T11FB24	116591.00	43	C6T17FB14	110444.00	44	C6T17NK38	191291.00	156
C6T11FB3	110275.00	43	C6T17FB144	116594.00	45	C6T17NK47	191950.00	156
C6T11FB5	110441.00	43	C6T17FB150	116759.00	44	C6T17NK76	191949.00	156
C6T11FB8	111394.00	209	C6T17FB151	116757.00	44	C6T17NR1	111917.00	53
C6T11FC1	110163.00	65	C6T17FB152	116739.00	43	C6T17VC1	113019.00	134
C6T11FC10	112378.00	65	C6T17FB153	116767.00	258	C6T17VC2	113020.00	134
C6T11FC11	112379.00	66	C6T17FB154	116761.00	45	C6T17VC3	113021.00	134
C6T11FC16	113311.00	65	C6T17FB160	117759.00	172	C6T17VC4	113473.00	134
C6T11FC18	113634.00	66	C6T17FB161	117760.00	172	C6T17VC42	116463.00	138
C6T11FC29	116749.00	66	C6T17FB162	117761.00	172	C6T17VC43	116462.00	138
C6T11FK1	110914.00	69	C6T17FB2	110035.00	44	C6T17VC44	116464.00	138
C6T11FK12	116340.00	69	C6T17FB3	110178.00	209	C6T17VC45	116465.00	138
C6T11FK15	116592.00	70	C6T17FB37	110893.00	209	C6T17VC5	113649.00	134
C6T11FK5	114152.00	259	C6T17FB4	110206.00	209	C6T17VC6	113954.00	134
C6T11FK6	114198.00	70	C6T17FB65	113026.00	45	C6T17VK1	113587.00	136
C6T11NC42	191419.00	157	C6T17FB79	114147.00	258	C6T17VK2	113586.00	136
C6T11NC43	191420.00	157	C6T17FB8	110255.00	222	C6T17VK27	116469.00	138
C6T11NC44	191421.00	157	C6T17FB80	114146.00	258	C6T17VK28	116466.00	138
C6T11NK4	191414.00	156	C6T17FC1	110047.00	65	C6T17VK29	116468.00	138
C6T11NK5	191415.00	156	C6T17FC110	114161.00	259	C6T17VK30	116467.00	138
C6T11NK6	191417.00	156	C6T17FC111	114159.00	259	C6T17WB6	112427.00	135
C6T11NK6	191528.00	156	C6T17FC112	114160.00	259	C6T17WB7	112428.00	135
C6T11VK1	115743.00	136	C6T17FC114	114213.00	65	C6T17WB8	112627.00	135
C6T11VK2	115744.00	136	C6T17FC132	114638.00	66	C6T17WC12	114616.00	134
C6T11WK3	115745.00	136	C6T17FC177	191213.00	157	C6T17WC23	116642.00	134
C6T11WK4	115746.00	136	C6T17FC178	191219.00	157	C6T17WC24	116644.00	134
C6T14FB7	114307.00	227	C6T17FC179	191225.00	157	C6T17WC25	116646.00	134
C6T14FB8	114888.00	227	C6T17FC2	110048.00	66	C6T17WC26	116647.00	134
C6T14FC4	114891.00	228	C6T17FC204	116645.00	134	C6T17WK1	112429.00	136
C6T14FC5	114889.00	228	C6T17FC209	116743.00	66	C6T17WK10	112524.00	136
C6T14FC6	114894.00	228	C6T17FC210	116744.00	66	C6T17WK11	112643.00	136
C6T14FC7	114896.00	228	C6T17FC212	116768.00	259	C6T17WK12	112644.00	136
C6T14NB1	114304.00	227	C6T17FC226	117711.00	252	C6T17WK2	112430.00	136
C6T17DB1	110029.00	33	C6T17FC227	117712.00	252	C6T17WK3	112483.00	136
C6T17DB40	113025.00	34	C6T17FC228	117713.00	252	C6T17WK4	112484.00	136
C6T17DB46	114162.00	257	C6T17FC3	110125.00	66	C6T17WK5	112520.00	136
C6T17DB47	114163.00	257	C6T17FC39	111444.00	213	C6T17WK6	112521.00	136
C6T17DB48	114164.00	257	C6T17FC7	110177.00	213	C6T17WK7	112522.00	136



Leeson Model Number Index

Motors, Sub-FHP Gearmotors, Drives and Accessories

Model Number	Catalog Number	Page #	Model Number	Catalog Number	Page #	Model Number	Catalog Number	Page #
C6T17WK8	112523.00	136	C6T34NB19	111335.00	176	C80T17FZ6	192055.00	267
C6T17WK9	112547.00	136	C6T34NB6	110714.00	209	C80T17FZ7	192116.00	269
C6T17XK23	116190.00	102	C6T34NC1	110144.00	65	C80T34FZ1	192050.00	266
C6T17XK24	116191.00	102	C6T34NC2	110446.00	65	C80T34FZ10	192133.00	269
C6T28FB4	114306.00	227	C6T34NK26	191200.00	156	C80T34FZ2	192060.00	266
C6T28FB5	114308.00	227	C6T34NK27	191203.00	156	C80T34FZ3	192057.00	268
C6T28FC1	114893.00	228	C6T34NK28	191206.00	156	C80T34FZ4	192067.00	268
C6T28FC3	114895.00	228	C6T34VC1	113022.00	134	C80T34FZ5	192054.00	267
C6T344NK1	110182.00	69	C6T34VC16	116640.00	134	C80T34FZ6	192064.00	269
C6T34DB1	110426.00	33	C6T34VC17	116643.00	134	C80T34FZ7	192124.00	267
C6T34DB16	113292.00	34	C6T34VC2	113023.00	134	C90T11FZ13	192200.00	266
C6T34DB17	113293.00	34	C6T34VC3	113024.00	134	C90T11FZ14	192201.00	267
C6T34DB2	110429.00	34	C6T34VC5	113593.00	134	C90T17FZ13	192202.00	266
C6T34DB30	116128.00	33	C6T34VK15	116641.00	136	C90T17FZ14	192203.00	267
C6T34DB31	116753.00	34	C6T34VK2	113589.00	136	C90T17FZ15	192204.00	268
C6T34DB32	116755.00	34	C6T34VK3	113588.00	136	C90T17FZ16	192205.00	266
C6T34DC12	110437.00	59	C6T34VK4	113590.00	136	C90T17FZ17	192206.00	267
C6T34DC63	113894.00	60	C6T34VK5	113591.00	136	C90T17FZ18	192207.00	268
C6T34DC64	113891.00	115	C6T34VK6	113592.00	136	C90T17FZ19	192230.00	269
C6T34DC65	113892.00	115	C6T34WC10	116778.00	117	C90T17FZ20	192232.00	269
C6T34DC66	113893.00	115	C6T34WC11	116777.00	117	C90T34FZ13	192208.00	266
C6T34DC68	114420.00	60	C6T34WC13	116776.00	117	C90T34FZ14	192209.00	266
C6T34DC7	110111.00	59	C6T34WC14	116774.00	117	C90T34FZ15	192210.00	267
C6T34DC92	116698.00	115	C6T34WC15	116775.00	117	C90T34FZ16	192211.00	267
C6T34DK16	116784.00	61	C6T34WC7	115976.00	134	C90T34FZ17	192213.00	268
C6T34DK17	116785.00	61	C6T34WK10	116782.00	117	C90T34FZ18	192214.00	268
C6T34DK18	116699.00	115	C6T34WK11	116781.00	117	C90T34FZ19	192231.00	269
C6T34DK5	114203.00	115	C6T34WK12	116779.00	117	C90T34FZ20	192233.00	269
C6T34DK6	114202.00	115	C6T34WK13	116780.00	117	CAC17NH7	102912.00	18
C6T34DK7	114201.00	115	C6T34WK9	116783.00	117	CAC34NB3	102911.00	18
C6T34DK8	114218.00	61	C6T46DR1	111956.00	191	CC447F4P150T6024	LM22218	229
C6T34DR35	114192.00	40	C6T46DR2	111957.00	191	CC447F4P200T6024	LM22219	229
C6T34DR36	114194.00	40	C6T46DR3	111958.00	191	CC449B4P200T64PYCR1	LM33035	242
C6T34DR37	114196.00	40	C6T46DR4	111959.00	191	CC449F4P250T6011PYAP5	LM80043	129
C6T34FB1	110145.00	44	C6T46DR5	111960.00	191	CC449F4P250T6024	LM22207	229
C6T34FB15	110715.00	209	C6T46DR6	111961.00	191	CC449F4P250T64PYAP5	LM80102	129
C6T34FB16	110745.00	44	C6T46DR7	111962.00	191	CC449F4P250T6011PYAP5	LM80199	129
C6T34FB2	110313.00	43	C6T46DR8	111963.00	191	CC449F4P250T64PYAP5	LM80200	129
C6T34FB24	111916.00	45	C6T8FB11	114618.00	43	CC449F4P300T6024	LM22220	229
C6T34FB35	114614.00	45	C6T8NC37	116201.00	193	CC449F6P150T6024	LM22216	229
C6T34FB49	116129.00	44	C6T8NC38	116202.00	193	CC449F6P200T6024	LM22217	229
C6T34FB50	116758.00	44	C6T9FC1	114892.00	228	CC449S4P250T64PYRBT1	LM17701	242
C6T34FB518	116760.00	45	C71T11FZ1	192012.00	266	CC449S4P300T64PYCR1	LM31049	242
C6T34FB8	110354.00	209	C71T11FZ2	192019.00	268	CC5011F4P400L6011PYAP5	LM80049	129
C6T34FC107	117714.00	252	C71T11FZ3	192016.00	267	CC5011F4P400L64PYAP5	LM80022	129
C6T34FC22	111273.00	66	C71T11FZ1	192021.00	266	CC5011F4P450L6011PYAP5	LM80082	129
C6T34FC26	111611.00	213	C71T11FZ10	192107.00	269	CC5011F4P450L64PYAP5	LM80083	129
C6T34FC28	111630.00	67	C71T11FZ2	192031.00	266	CC5011S4P350L6024	LM22225	229
C6T34FC37	114208.00	116	C71T11FZ3	192028.00	268	CC5011S4P400L6024TD2	LM22226	229
C6T34FC38	114207.00	116	C71T11FZ4	192038.00	268	CC5011S4P450L6024TD2	LM22227	229
C6T34FC39	114206.00	116	C71T11FZ5	192025.00	267	CC5011S4P500L6024TD2	LM22488	229
C6T34FC40	114205.00	116	C71T11FZ6	192035.00	267	CC5011S4P600L6024TD2	LM27288	229
C6T34FC41	114204.00	116	C71T11FZ7	192098.00	269	CC5011S6P250L6025	LM22221	229
C6T34FC42	114176.00	65	C71T34FZ1	192030.00	266	CC5011S6P300L6024	LM22222	229
C6T34FC49	114931.00	116	C71T34FZ10	192115.00	269	CC5011S6P350L6024	LM22223	229
C6T34FC5	110192.00	66	C71T34FZ2	192040.00	266	CC5011S6P400L6024TD2	LM22224	229
C6T34FC6	110112.00	66	C71T34FZ3	192037.00	268	CC5011S8P150L6024	LM22214	229
C6T34FC9	110448.00	65	C71T34FZ4	192047.00	268	CC5011S8P200L6024	LM22215	229
C6T34FC94	116751.00	66	C71T34FZ5	192034.00	267	CC5011S8P250L6024	LM27283	229
C6T34FC97	116748.00	66	C71T34FZ6	192044.00	267	CC5013S4P700L6024TD2	LM27289	229
C6T34FC98	116750.00	66	C71T34FZ7	192106.00	269	CC5013S6P450L6024TD2	LM27286	229
C6T34FK1	110181.00	69	C80T11FZ1	192022.00	266	CC5013S6P500L6024TD2	LM27287	229
C6T34FK34	113028.00	116	C80T11FZ15	192212.00	268	CC5013S8P300L6024	LM27284	229
C6T34FK35	113029.00	116	C80T11FZ2	192032.00	266	CC5013S8P350L6024	LM27285	229
C6T34FK36	113030.00	116	C80T11FZ3	192042.00	266	CCB6S15T61Q15	LM31961	81
C6T34FK37	113031.00	116	C80T11FZ4	192029.00	268	CCD2B20T61	LM33315	35
C6T34FK38	113032.00	116	C80T11FZ5	192039.00	268	CCD2B20TC61	LM32782	62
C6T34FK44	113927.00	70	C80T11FZ6	192049.00	268	CCD2B25T61	LM33309	36
C6T34FK46	114142.00	69	C80T11FZ7	192026.00	267	CCD2B25TC61	LM32784	63
C6T34FK55	114615.00	71	C80T11FZ8	192036.00	267	CCD2B30/406T61YEH2	LM33047	244
C6T34FK6	110915.00	69	C80T11FZ9	192046.00	267	CCD2P100T561YAP5	LM80136	125
C6T34FK7	110917.00	70	C80T17FZ1	192041.00	266	CCD2P100T562YAP5	LM80135	125
C6T34FK85	191209.00	156	C80T17FZ10	192125.00	269	CCD2P125T561YAP5	LM80142	125
C6T34FK86	191215.00	156	C80T17FZ2	192051.00	266	CCD2P125T562YAP5	LM80141	125
C6T34FK87	191221.00	156	C80T17FZ3	192048.00	268	CCD2P150T56011PYAP5	LM80147	125
C6T34NB1	110143.00	55	C80T17FZ4	192058.00	268	CCD2P150T564PYAP5	LM80148	125
C6T34NB18	111334.00	176	C80T17FZ5	192045.00	267	CCD2P200T56011PYAP5	LM80153	125



Leeson Model Number Index

Motors, Sub-FHP Gearmotors, Drives and Accessories

DC Motors

Gearmotors

Ac / DC Controls

Accessories / Kits

Motors / Factory Options

X-Ref / Index

Tech Information

Terms / Warnings

Other Products

Model Number	Catalog Number	Page #	Model Number	Catalog Number	Page #	Model Number	Catalog Number	Page #
CCD2P200TS64PYAP5	LM80154	125	CCD4P350T64PYAP5	LM80176	126	CCF2P15UC64	LM21845	109
CCD2P250TS6011PYAP5	LM80159	125	CCD4P350TS6011PYAP5	LM80173	126	CCF2P20T61AP5	LM80071	127
CCD2P250TS64PYAP5	LM80160	125	CCD4P350TS64PYAP5	LM80174	126	CCF2P20T62AP5	LM80070	127
CCD2P30/40T6006YEH2	LM30099	244	CCD4P400TS64PYAP5	LM80178	126	CCF2P20U64	LM21088	108
CCD2P30/40T61YEH2	LM30100	244	CCD4P40T61YAP5	LM80116	124	CCF2P20UC64	LM21850	109
CCD2P300TS6011PYAP5	LM80165	126	CCD4P40T62YAP5	LM80115	124	CCF2P25TS64Y	LM19571	51
CCD2P300TS64PYAP5	LM80166	126	CCD4P40TS61YAP5	LM80114	124	CCF2P25TS61YAP5	LM80075	127
CCD2P30TS61YAP5	LM80108	124	CCD4P40TS62YAP5	LM80113	124	CCF2P25TS62YAP5	LM80074	127
CCD2P30TS62YAP5	LM80107	124	CCD4P450TS64PYAP5	LM80180	126	CCF2P25U64	LM21089	108
CCD2P350TS6011PYAP5	LM80171	126	CCD4P500TS64PYAP5	LM80182	126	CCF2P25UC64	LM21852	109
CCD2P350TS64PYAP5	LM80172	126	CCD4P50T61YAP5	LM80122	124	CCF2P25US64	LM21807	108
CCD2P40/50T6006YEH2	LM30101	244	CCD4P50T62YAP5	LM80121	124	CCF2P25USC64	LM21893	109
CCD2P40/50T61YEH2	LM30102	244	CCD4P50TS61YAP5	LM80120	124	CCF2P2U64	LM21085	107
CCD2P400TS64PYAP5	LM80177	126	CCD4P50TS62YAP5	LM80119	124	CCF2P2UC64	LM21831	109
CCD2P40TS61YAP5	LM80112	124	CCD4P60T61YAP5	LM80128	125	CCF2P2UCN64	LM25496	111
CCD2P40TS62YAP5	LM80111	124	CCD4P60T62YAP5	LM80127	125	CCF2P300TS64Y	LM19574	52
CCD2P450TS64PYAP5	LM80179	126	CCD4P60TS61YAP5	LM80126	125	CCF2P30TS61YAP5	LM80079	128
CCD2P500TS64PYAP5	LM80181	126	CCD4P60TS62YAP5	LM80125	125	CCF2P30TS62YAP5	LM80078	128
CCD2P50TS61YAP5	LM80118	124	CCD4P75T61YAP5	LM80134	125	CCF2P30U64	LM21090	108
CCD2P50TS62YAP5	LM80117	124	CCD4P75T62YAP5	LM80133	125	CCF2P30UC64	LM21855	109
CCD2P60TS61YAP5	LM80124	125	CCD4P75TS61YAP5	LM80132	125	CCF2P30US64	LM21810	108
CCD2P60TS62YAP5	LM80123	125	CCD4P75TS62YAP5	LM80131	125	CCF2P30USC64	LM21880	109
CCD2P75TS61YAP5	LM80130	125	CCD6B10T61	LM33555	35	CCF2P350TS64Y	LM19577	52
CCD2P75TS62YAP5	LM80129	125	CCD6B15T61Y	LM31244	35	CCF2P3T61AP5	LM80051	127
CCD4B15T61	LM24190	35	CCD6B15TC61Y	LM31247	62	CCF2P3T62AP5	LM80050	127
CCD4B15TC61	LM32781	62	CCD6B20T61Y	LM30273	35	CCF2P3U64	LM20707	107
CCD4B20T61	LM24199	35	CCD6B20TC61Y	LM31248	62	CCF2P3UC64	LM21829	109
CCD4B24TSC61Y	LM32785	63	CCD6B25T64Y	LM33553	38	CCF2P40TS61YAP5	LM80085	128
CCD4B25/30T61YEH2	LM33046	243	CCD8P7.5T61	LM33314	35	CCF2P40TS62YAP5	LM80084	128
CCD4B25T61Y	LM29576	36	CCF2B1.5T61	LM15854	44	CCF2P40U64	LM21798	108
CCD4B25TC61Y	LM31245	63	CCF2B100TS61AP21	LM60061	50	CCF2P40UC64	LM21858	110
CCD4B25TS61Y	LM32748	36	CCF2B10T61	LM15881	47	CCF2P40US64	LM21091	108
CCD4B30/40T61YEH2	LM33048	244	CCF2B10T61AP21	LM60034	47	CCF2P40USC64	LM21883	110
CCD4B30T61Y	LM29577	36	CCF2B10TC61AP21	LM62025	72	CCF2P50TS61YAP5	LM80087	128
CCD4B30TSC61Y	LM32786	63	CCF2B125TS64AP21	LM60064	50	CCF2P50TS62YAP5	LM80028	128
CCD4B39TS61Y	LM32749	36	CCF2B150T64AP21	LM60067	51	CCF2P50U64	LM21799	108
CCD4G25/30T6006YEH2	LM29850	243	CCF2B15T611AP21	LM15890	47	CCF2P50UC64	LM21861	110
CCD4G25/30T61YEH2	LM29851	243	CCF2B15T61AP21	LM60037	47	CCF2P50US64	LM21092	108
CCD4G25/30T65YEH2	LM29854	243	CCF2B15TC61AP21	LM62028	72	CCF2P50USC64	LM21886	110
CCD4G30/40T6006YEH2	LM29852	244	CCF2B200T64AP21	LM60070	51	CCF2P5T61AP5	LM80055	127
CCD4G30/40T61YEH2	LM29853	244	CCF2B20T61	LM15893	47	CCF2P5T62AP5	LM80054	127
CCD4G30/40T65YEH2	LM29855	244	CCF2B20T61AP21	LM60040	47	CCF2P5U64	LM21086	107
CCD4P100T61YAP5	LM80140	125	CCF2B20TC61AP21	LM62031	72	CCF2P5UC64	LM21836	109
CCD4P100T62YAP5	LM80139	125	CCF2B25T61AP21	LM60043	48	CCF2P5UCN64	LM25203	111
CCD4P100TS61YAP5	LM80138	125	CCF2B25TC61AP21	LM62034	72	CCF2P60TS61YAP5	LM80089	128
CCD4P100TS62YAP5	LM80137	125	CCF2B25TS61Y	LM15791	48	CCF2P60TS62YAP5	LM80030	128
CCD4P125T61YAP5	LM80146	125	CCF2B30TS61AP21	LM60046	48	CCF2P60U64	LM21800	108
CCD4P125T62YAP5	LM80145	125	CCF2B30TS61Y	LM15794	48	CCF2P60UC64	LM21865	110
CCD4P125TS61YAP5	LM80144	125	CCF2B3TC61AP21	LM62016	71	CCF2P60US64	LM19532	108
CCD4P125TS62YAP5	LM80143	125	CCF2B40TS61AP21	LM60049	49	CCF2P60USC64	LM21890	110
CCD4P150T6011PYAP5	LM80151	125	CCF2B40TS61Y	LM19749	49	CCF2P7.5T61AP5	LM80059	127
CCD4P150T64PYAP5	LM80152	125	CCF2B50TS61AP21	LM60052	49	CCF2P7.5T62AP5	LM80058	127
CCD4P150TS6011PYAP5	LM80149	125	CCF2B50TS61Y	LM19752	49	CCF2P7.5U64	LM20393	107
CCD4P150TS64PYAP5	LM80150	125	CCF2B60TS61AP21	LM60055	49	CCF2P7.5UC64	LM21839	109
CCD4P200T6011PYAP5	LM80157	125	CCF2B60TS61Y	LM19755	49	CCF2P75TS61YAP5	LM80091	128
CCD4P200T64PYAP5	LM80158	125	CCF2B7.5T61	LM15878	46	CCF2P75TS62YAP5	LM80032	128
CCD4P200TS6011PYAP5	LM80155	125	CCF2B7.5T61AP21	LM60031	46	CCF2P75U64	LM21801	108
CCD4P200TS64PYAP5	LM80156	125	CCF2B7.5TC61AP21	LM62085	71	CCF2P75UC64	LM21868	110
CCD4P250T6011PYAP5	LM80163	125	CCF2B75TC61AP21	LM62050	73	CCF2P75US64	LM21093	108
CCD4P250T64PYAP5	LM80164	125	CCF2B75TS61AP21	LM60058	50	CCF2P75USC64	LM21877	110
CCD4P250TS6011PYAP5	LM80161	125	CCF2B75TS61Y	LM19758	50	CCF3B5T61AP21	LM60029	46
CCD4P250TS64PYAP5	LM80162	125	CCF2BT61	LM15869	46	CCF4515T61AP21	LM60038	47
CCD4P25T61YAP5	LM80106	124	CCF2P100TS61YAP5	LM80093	128	CCF4B0T161AP21	LM60047	48
CCD4P25T61YQ40	LM29579	85	CCF2P100TS62YAP5	LM80034	128	CCF4B0TC61AP21	LM62044	73
CCD4P25T62YAP5	LM80105	124	CCF2P100U64	LM21802	108	CCF4B100T61AP21	LM60062	50
CCD4P25T65Y	LM29581	218	CCF2P100UC64	LM21871	110	CCF4B100T61Y	LM19762	50
CCD4P25TC65	LM30138	220	CCF2P100US64	LM21094	108	CCF4B10T61	LM24213	47
CCD4P300T6011PYAP5	LM80169	126	CCF2P100USC64	LM21896	110	CCF4B10T61AP21	LM60035	47
CCD4P300T64PYAP5	LM80170	126	CCF2P10T61AP5	LM80063	127	CCF4B10TC61AP21	LM62026	72
CCD4P300TS6011PYAP5	LM80167	126	CCF2P10T61AP5	LM80062	127	CCF4B125T64Y	LM19765	50
CCD4P300TS64PYAP5	LM80168	126	CCF2P10U64	LM21087	107	CCF4B150T64AP21	LM60068	51
CCD4P30T61YAP5	LM80110	124	CCF2P10UC64	LM21842	109	CCF4B150T64Y	LM19768	51
CCD4P30T61YQ40	LM29936	85	CCF2P125TS6011PYAP5	LM80036	128	CCF4B15T61	LM24208	47
CCD4P30T62YAP5	LM80109	124	CCF2P125TS64PYAP5	LM80095	128	CCF4B15TC61AP21	LM62029	72
CCD4P30T65Y	LM29865	218	CCF2P15T61AP5	LM80067	127	CCF4B200T64AP21	LM60071	51
CCD4P30TC65	LM30139	220	CCF2P15T62AP5	LM80066	127	CCF4B20T61	LM24207	47
CCD4P350T6011PYAP5	LM80175	126	CCF2P15U64	LM20394	107	CCF4B20T61AP21	LM60041	47



Leeson Model Number Index

Motors, Sub-FHP Gearmotors, Drives and Accessories

Model Number	Catalog Number	Page #	Model Number	Catalog Number	Page #	Model Number	Catalog Number	Page #
CCF4B20TC61AP21	LM62032	72	CCF4P350TS6011PYAP5	LM80203	129	CCF6P20U64	LM20031	108
CCF4B25T61AP21	LM60044	48	CCF4P350TS64PYAP5	LM80204	129	CCF6P20UC64	LM21857	109
CCF4B25T61Y	LM15792	48	CCF4P3T61AP5	LM80053	127	CCF6P20US64	LM21812	108
CCF4B25TC61AP21	LM62035	72	CCF4P3T62AP5	LM80052	127	CCF6P20USC64	LM21882	109
CCF4B30T61Y	LM15795	48	CCF4P3U64	LM21382	107	CCF6P250T64Y	LM30826	51
CCF4B30TC61AP21	LM62038	73	CCF4P3UC64	LM21837	109	CCF6P25U64	LM21389	108
CCF4B3T61	LM25638	45	CCF4P3UCN64	LM23854	111	CCF6P25UC64	LM21860	109
CCF4B3T61AP21	LM60026	45	CCF4P400T64Y	LM19580	52	CCF6P25US64	LM21814	108
CCF4B3T61Y	LM60026	45	CCF4P40T61YAP5	LM80086	128	CCF6P25USC64	LM21885	109
CCF4B3TC6AP21	LM62017	71	CCF4P40T62YAP5	LM80027	128	CCF6P2U64	LM21383	107
CCF4B40T61AP21	LM60050	49	CCF4P40TS61YAP5	LM80184	128	CCF6P2UC64	LM21838	109
CCF4B40T61Y	LM19750	49	CCF4P40TS62YAP5	LM80183	128	CCF6P30U64	LM19531	108
CCF4B40TC61AP21	LM62041	73	CCF4P40U64	LM21388	108	CCF6P30UC64	LM21863	109
CCF4B50T61AP21	LM60053	49	CCF4P40UC64	LM21859	110	CCF6P30US64	LM21816	108
CCF4B50T61Y	LM19753	49	CCF4P40US64	LM21813	108	CCF6P30USC64	LM21888	109
CCF4B5T61	LM24195	46	CCF4P40USC64	LM21884	110	CCF6P3U64	LM20391	107
CCF4B5TC61AP21	LM62020	71	CCF4P50T61YAP5	LM80088	128	CCF6P3UC64	LM21841	109
CCF4B60T61AP21	LM60056	49	CCF4P50T62YAP5	LM80029	128	CCF6P3UCN64	LM25667	111
CCF4B60T61Y	LM19756	49	CCF4P50TS61YAP5	LM80187	128	CCF6P40U64	LM21390	108
CCF4B60TC61AP21	LM62047	73	CCF4P50TS62YAP5	LM80186	128	CCF6P40UC64	LM21864	110
CCF4B7.5T61	LM24209	46	CCF4P50U64	LM19530	108	CCF6P40US64	LM21817	108
CCF4B7.5T61AP21	LM60032	46	CCF4P50UC64	LM21862	110	CCF6P40USC64	LM21889	110
CCF4B7.5TC61AP21	LM62024	71	CCF4P50US64	LM21815	108	CCF6P50U64	LM19533	108
CCF4B75T61AP21	LM60059	50	CCF4P50USC64	LM21887	110	CCF6P50UC64	LM21867	110
CCF4B75T61Y	LM19759	50	CCF4P5T61AP5	LM80057	127	CCF6P50US64	LM21819	108
CCF4B75TC61AP21	LM62053	74	CCF4P5T62AP5	LM80056	127	CCF6P50USC64	LM21892	110
CCF4P100T61YAP5	LM80094	128	CCF4P5U64	LM20392	107	CCF6P5U64	LM21385	107
CCF4P100T62YAP5	LM80035	128	CCF4P5UC64	LM21840	109	CCF6P5UC64	LM21844	109
CCF4P100TS61YAP5	LM80192	128	CCF4P5UCN64	LM24072	111	CCF6P60U64	LM21393	108
CCF4P100TS62YAP5	LM80191	128	CCF4P60T61YAP5	LM80090	128	CCF6P60UC64	LM21870	110
CCF4P100U64	LM19534	108	CCF4P60T62YAP5	LM80031	128	CCF6P60US64	LM21822	108
CCF4P100UC64	LM21872	110	CCF4P60TS61YAP5	LM80185	128	CCF6P60USC64	LM21895	110
CCF4P100US64	LM21823	108	CCF4P60TS62YAP5	LM80188	128	CCF6P7.5U64	LM20389	107
CCF4P100USC64	LM21897	110	CCF4P60U64	LM21391	108	CCF6P7.5UC64	LM21847	109
CCF4P10T61AP5	LM80065	127	CCF4P60UC64	LM21866	110	CCF6P75U64	LM19535	108
CCF4P10T62AP5	LM80064	127	CCF4P60US64	LM21818	108	CCF6P75UC64	LM21873	110
CCF4P10U64	LM20390	107	CCF4P60USC64	LM21891	110	CCF6P75US64	LM21824	108
CCF4P10UC64	LM21846	109	CCF4P7.5T61AP5	LM80061	127	CCF6P75USC64	LM21898	110
CCF4P125T6011PYAP5	LM80037	128	CCF4P7.5T62AP5	LM80060	127	CCN2B2T61	LM15857	45
CCF4P125T64PYAP5	LM80096	128	CCF4P7.5U64	LM21384	107	CCN2B3T61	LM15866	45
CCF4P125TS6011PYAP5	LM80193	128	CCF4P7.5UC64	LM21843	109	CCN2P1.5U64	LM21084	107
CCF4P125TS64PYAP5	LM80194	128	CCF4P7.5UCN64	LM23784	111	CCN2P1.5UC64	LM21826	109
CCF4P150T6011PYAP5	LM80039	129	CCF4P75T61YAP5	LM80092	128	CCN3BIT61	LM24102	44
CCF4P150T64PYAP5	LM80098	129	CCF4P75T62YAP5	LM80033	128	CCN4B1.5T61	LM25637	44
CCF4P150TS6011PYAP5	LM80195	129	CCF4P75TS61YAP5	LM80190	128	CCN4B2T61	LM24127	45
CCF4P150TS64PYAP5	LM80196	129	CCF4P75TS62YAP5	LM80189	128	CCN4P1.5U64	LM21380	107
CCF4P15T61AP5	LM80069	127	CCF4P75U64	LM21392	108	CCN4P1.5UCN64	LM21833	109
CCF4P15T62AP5	LM80068	127	CCF4P75UC64	LM21869	110	CCN4P1.5UC64	LM23783	111
CCF4P15U64	LM21665	107	CCF4P75US64	LM21821	108	CCN4P1U64	LM21378	107
CCF4P15UC64	LM21848	109	CCF4P75USC64	LM21894	110	CCN4P1UC64	LM21827	109
CCF4P200T6011PYAP5	LM80041	129	CCF6B1.5T61	LM15868	44	CCN4P1UCN64	LM23781	111
CCF4P200T64PYAP5	LM80100	129	CCF6B100T64AP21	LM60063	50	CCN6B2T61	LM15871	45
CCF4P200TS6011PYAP5	LM80197	129	CCF6B10T61	LM15895	47	CCN6G0.75UC64	LM23769	109
CCF4P200TS64PYAP5	LM80198	129	CCF6B10T61AP21	LM60036	47	CCN6P0.75U64	LM21379	107
CCF4P20T61AP5	LM80073	127	CCF6B125T64AP21	LM60066	50	CCN6P0.75UC64	LM21828	109
CCF4P20T62AP5	LM80072	127	CCF6B150T64AP21	LM60069	51	CCN6P1.5U64	LM20709	107
CCF4P20U64	LM20029	108	CCF6B15T611Y	LM15793	47	CCN6P1.5UC64	LM21834	109
CCF4P20UC64	LM21851	109	CCF6B15T61AP21	LM60039	47	CCN6P1U64	LM21381	107
CCF4P250T64Y	LM19572	51	CCF6B200T64AP21	LM60072	51	CCN6P1UC64	LM21835	109
CCF4P25T61YAP5	LM80077	127	CCF6B20T61AP21	LM60042	47	CCN6P1UCN64	LM24037	111
CCF4P25T62YAP5	LM80076	127	CCF6B20T61Y	LM15796	47	CCS2B1.5T61	LM32858	91
CCF4P25U64	LM21386	108	CCF6B20T61Y	LM15796	47	CCS2B100TS61Y	LM32895	100
CCF4P25UC64	LM21853	109	CCF6B25T61AP21	LM60045	48	CCS2B10T61	LM32870	91
CCF4P25US64	LM21808	108	CCF6B25T61Y	LM19747	48	CCS2B125TS64Y	LM32898	100
CCF4P25USC64	LM21878	109	CCF6B30T61AP21	LM60048	48	CCS2B150TS64Y	LM32901	100
CCF4P2U64	LM20708	107	CCF6B30T61Y	LM19748	48	CCS2B15T61	LM32872	91
CCF4P2UC64	LM21832	109	CCF6B3T61	LM15880	45	CCS2B200TS64Y	LM32904	100
CCF4P2UCN64	LM23782	111	CCF6B3T61AP21	LM60027	45	CCS2B20T61	LM32875	91
CCF4P300T6011PYAP5	LM80045	129	CCF6B40T61AP21	LM60051	49	CCS2B25T61Y	LM32878	91
CCF4P300T64PYAP5	LM80018	129	CCF6B40T61Y	LM19751	49	CCS2B25TS61Y	LM32861	91
CCF4P300T64Y	LM19575	52	CCF6B50T61AP21	LM60054	49	CCS2B30TS61Y	LM32881	91
CCF4P300TS6011PYAP5	LM80201	129	CCF6B50T61Y	LM19754	49	CCS2B3T61	LM32864	91
CCF4P300TS64PYAP5	LM80202	129	CCF6B5T61AP21	LM60030	46	CCS2B40TS61Y	LM32884	91
CCF4P30T61YAP5	LM80081	128	CCF6B60T61AP21	LM60057	49	CCS2B50TS61Y	LM32685	100
CCF4P30T62YAP5	LM80080	128	CCF6B60T61Y	LM19757	49	CCS2B5T61	LM32866	91
CCF4P30U64	LM20030	108	CCF6B7.5T61	LM15892	46	CCS2B60TS61Y	LM32889	100
CCF4P30UC64	LM21856	109	CCF6B7.5T61AP21	LM60033	46	CCS2B7.5T61	LM32868	91
CCF4P30US64	LM21811	108	CCF6B75T61Y	LM60060	50	CCS2B75TS61Y	LM32892	100
CCF4P30USC64	LM21881	109	CCF6BT61	LM19760	50	CCS2P250TS64Y	LM22908	100
CCF4P350T6011PYAP5	LM80047	129	CCF6P10U64	LM20028	107	CCS2P250TS64Y	LM15717	100
CCF4P350T64PYAP5	LM80020	129	CCF6P10UC64	LM21849	109	CCS2P300TS64Y	LM17601	100
CCF4P350T64Y	LM19578	52	CCF6P15U64	LM21387	107	CCS2P300TS64Y	LM15721	100
			CCF6P15UC64	LM21854	109	CCS2P350TS64Y	LM17602	100
			CCF6P15US64	LM21809	107	CCS2P350TS64Y	LM15720	100
			CCF6P15USC64	LM21879	109	CCS4B1.5T61	LM32859	91



Leeson Model Number Index

Motors, Sub-FHP Gearmotors, Drives and Accessories

DC Motors
 Gearmotors
 Ac / DC Controls
 Accessories / Kits
 Mods / Factory Options
 X-Ref / Index
 Tech Information
 Terms / Warnings
 Other Products

Model Number	Catalog Number	Page #	Model Number	Catalog Number	Page #	Model Number	Catalog Number	Page #
CCS4B100T61Y	LM32896	100	CIM34D18FD2	M1130149.00	274	CZ145T34WK18	121876.00	160
CCS4B100T64PYRBT1	LM33029	242	CIM34D18FD6	M1130207.00	278	CZ145T34WK19	121881.00	168
CCS4B10T61	LM16919	91	CIM34D18NC5	M1130136.00	275	CZ145T34WK24	G121629.00	162
CCS4B125T64PYRBT1	LM33031	242	CIM34D18NC6	M1130137.00	275	CZ145T34WK25	G121631.00	162
CCS4B125T64Y	LM32899	100	CIM34D18ND1	M1130146.00	274	CZ145T34WK27	121878.00	160
CCS4B150T64PYRBT1	LM33033	242	CIM34D18ND2	M1130147.00	274	CZ182T34WK2	132203.00	135
CCS4B150T64Y	LM32902	100	CIM34D30FC1	M1130143.00	275	CZ4T17VC1	103413.00	168
CCS4B15T61	LM32873	91	CIM34D30FC7	M1130296.00	278	CZ4T17VC2	103418.00	168
CCS4B1T61	LM32856	91	CIM34D30FD1	M1130153.00	274	CZ4T17VC3	103394.00	161
CCS4B200T64Y	LM32905	100	CIM34D30FD2	M1130206.00	278	CZ4T17VC4	103389.00	161
CCS4B20T61	LM32876	91	CIM34D30NC1	M1130140.00	275	CZ4T17VC7	103393.00	161
CCS4B25T61Y	LM32879	91	CIM34D30NC2	M1130141.00	275	CZ4T17VC8	103417.00	168
CCS4B2T61	LM32862	91	CIM34D30NC3	M1130142.00	275	CZ4T17VK1	103411.00	168
CCS4B30T61Y	LM32882	91	CIM34D30ND1	M1130150.00	274	CZ4T17VK2	103387.00	160
CCS4B3T61T5	LM16644	91	CIM34D30ND2	M1130151.00	274	CZ4T17VZ13	103395.00	163
CCS4B40T61Y	LM32885	91	CIM34D30ND3	M1130152.00	274	CZ4T17VZ14	103397.00	163
CCS4B50T61Y	LM32887	100	CM31D17VZ10	M1125266.00	145	CZ4T17VZ15	103400.00	163
CCS4B5T61T5	LM16650	91	CM31D17VZ11	M1125267.00	145	CZ4T17VZ16	103403.00	163
CCS4B60T61Y	LM32890	100	CM31D17VZ15	M1125261.00	145	CZ4T17VZ17	103405.00	163
CCS4B75T61Y	LM32893	100	CM31D17VZ6	M1125262.00	145	CZ4T17VZ18	103408.00	163
CCS4P250T64	LM17594	100	CM31D17VZ7	M1125263.00	145	CZ4T17VZ3	103396.00	163
CCS4P250T64Y	LM14643	100	CM31D17VZ8	M1125264.00	145	CZ4T17VZ4	103398.00	163
CCS4P300T64	LM22909	100	CM31D17VZ9	M1125265.00	145	CZ4T17VZ5	103401.00	163
CCS4P300T64Y	LM14642	100	CM34D17FC2	M1130055.00	286	CZ4T17VZ6	103404.00	163
CCS4P350T64	LM17599	100	CM34D17FC4	M1130120.00	286	CZ4T17VZ7	103406.00	163
CCS4P350T64PYRBT1	LM17705	242	CM34D17NC5	M1130053.00	286	CZ4T17VZ8	103409.00	163
CCS4P350T64Y	LM14645	100	CM34D17NC6	M1130054.00	286	CZ4T17WC1	103390.00	161
CCS4P400T64	LM17600	100	CM34D17NC8	M1130118.00	286	CZ4T17WC2	103414.00	168
CCS4P400T64PYRBT1	LM17706	242	CM34D17NC9	M1130119.00	286	CZ4T17WK1	103388.00	160
CCS4P400T64Y	LM14644	100	CM34D25NZ32	M1135055.00	311	CZ4T17WK2	103412.00	168
CCS4P450LS64Y	LM22212	100	CM38P17FZ39	M1145138.00	150	CZ4T17WZ10	103410.00	163
CCS4P500LS64Y	LM22213	100	CM38P17FZ40A	M1145139.00	150	CZ4T17WZ7	103399.00	163
CCS4P600LS64Y	LM22489	100	CM38P17FZ41A	M1145140.00	150	CZ4T17WZ8	103402.00	163
CCS4P7.5T61	LM32869	91	CM38P17FZ42A	M1145141.00	151	CZ4T17WZ9	103407.00	163
CCS4P700LS64Y	LM27295	92	CM38P17FZ43A	M1145142.00	151	CZ6K17VC1	116352.00	161
CCS6B1.5T61	LM32860	91	CM38P17FZ44A	M1145143.00	151	CZ6K17VC2	116351.00	161
CCS6B100T64PYRBT1	LM33030	242	CM38T17FK3	M1140172.00	57	CZ6K34WK1	116482.00	161
CCS6B100T64Y	LM32897	100	CM38T17FZ20A	M1145144.00	150	CZ6T11VK5	117275.00	160
CCS6B10T61	LM32871	91	CM38T17FZ21A	M1145145.00	150	CZ6T11VK6	117276.00	160
CCS6B125T64	LM32900	100	CM38T17FZ22A	M1145146.00	151	CZ6T11WK7	117277.00	160
CCS6B125T64PYRBT1	LM33032	242	CM38T17FZ23A	M1145147.00	151	CZ6T11WK8	117278.00	160
CCS6B150T64PYRBT1	LM33034	242	CM38T17NK1	M1140171.00	57	CZ6T17VC10	114394.00	153
CCS6B150T64Y	LM32903	100	CM38T17NK2	M1140173.00	57	CZ6T17VC11	114395.00	153
CCS6B15T61Y	LM32874	91	CZ143T17VC2	121109.00	153	CZ6T17VC12	114437.00	153
CCS6B1T61	LM32857	91	CZ143T17VC9	121796.00	161	CZ6T17VC53	117127.00	168
CCS6B200T64PYRBT1	LM33036	242	CZ143T17VK2	121165.00	153	CZ6T17VC54	117129.00	168
CCS6B200T64Y	LM32906	100	CZ143T17VK8	121795.00	160	CZ6T17VC55	117131.00	168
CCS6B20T61Y	LM32877	91	CZ143T17WC11	121909.00	168	CZ6T17VC56	117270.00	161
CCS6B2T61	LM32863	91	CZ143T17WC13	G121659.00	161	CZ6T17VC57	117272.00	161
CCS6B30T61Y	LM32883	91	CZ143T17WC5	121751.00	168	CZ6T17VC58	117274.00	161
CCS6B3T61	LM32865	91	CZ143T17WK12	121873.00	160	CZ6T17VK3	114560.00	153
CCS6B40T61Y	LM32886	91	CZ143T17WK13	121880.00	168	CZ6T17VK31	116483.00	162
CCS6B50T61Y	LM32888	100	CZ143T17WK18	G121626.00	162	CZ6T17VK32	116484.00	162
CCS6B5T61	LM32867	91	CZ143T17WK8	G121749.00	168	CZ6T17VK4	114561.00	153
CCS6B60T61Y	LM32891	100	CZ143T34WC2	121750.00	168	CZ6T17VK43	117119.00	168
CCS6B7.5T61YT5	LM16656	91	CZ143T34WC6	121908.00	168	CZ6T17VK44	117121.00	168
CCS6B75T61Y	LM32894	100	CZ143T34WC7	G121560.00	161	CZ6T17VK45	117123.00	168
CCS6P250T64	LM17597	100	CZ143T34WK11	G121627.00	162	CZ6T17VK46	117266.00	160
CCS6P250T64PYRBT1	LM17702	242	CZ143T34WK4	G121748.00	168	CZ6T17VK47	117267.00	160
CCS6P250T64Y	LM15723	100	CZ143T34WK7	121874.00	160	CZ6T17VK5	114562.00	153
CCS6P25T61Y	LM32880	91	CZ143T34WK8	121879.00	168	CZ6T17VK52	117762.00	160
CCS6P300T64	LM17598	100	CZ145K17WC1	121633.00	161	CZ6T17VK8	115635.00	160
CCS6P300T64PYRBT1	LM17704	242	CZ145K17WC2	121624.00	161	CZ6T17WC11	114582.00	153
CCS6P300T64Y	LM15722	100	CZ145K17WK1	121632.00	161	CZ6T17WC14	114581.00	153
CCS6P350LS64Y	LM22210	100	CZ145K17WK2	121622.00	161	CZ6T17WC28	117282.00	161
CCS6P400L64Y	LM22211	100	CZ145K34WK1	121623.00	161	CZ6T17WC29	117283.00	161
CCS6P450LS64Y	LM27292	100	CZ145T14KW40	121912.00	153	CZ6T17WC30	117287.00	161
CCS6P500LS64Y	LM27293	100	CZ145T14WK41	121913.00	153	CZ6T17WC32	117297.00	168
CI42D17FT1	098014.00	275	CZ145T17WC22	121743.00	168	CZ6T17WC33	117298.00	168
CI42D17FT2	098015.00	275	CZ145T17WC29	G121350.00	153	CZ6T17WC44	117516.00	163
CI42D17FT6	098065.00	278	CZ145T17WC30	G121351.00	153	CZ6T17WC45	117518.00	163
CI42D17FT7	098067.00	278	CZ145T17WC36	121911.00	168	CZ6T17WC46	117517.00	163
CI42D17VD1	098040.00	142	CZ145T17WC39	G121525.00	161	CZ6T17WK26	117284.00	160
CI42D34FT1	098016.00	275	CZ145T17WC40	G121527.00	161	CZ6T17WK27	117285.00	160
CI42D34FT2	098017.00	275	CZ145T17WK25	G121740.00	168	CZ6T17WK28	117286.00	160
CI42D34FT7	098066.00	278	CZ145T17WK32	121875.00	160	CZ6T17WK29	117299.00	168
CI6D17FK1	118014.00	275	CZ145T17WK33	121877.00	160	CZ6T17WK30	117296.00	168
CI6D17FT1	118007.00	275	CZ145T17WK34	121882.00	168	CZ6T34VC19	117126.00	168
CI6D17FT2	118008.00	275	CZ145T17WK45	G121628.00	162	CZ6T34VC20	117128.00	168
CI6D34FT1	118009.00	275	CZ145T17WK46	G121630.00	162	CZ6T34VC21	117130.00	168
CI6D34FT2	118010.00	275	CZ145T34WC10	121742.00	168	CZ6T34VC22	117279.00	161
CIM34D18FC1	M1130138.00	275	CZ145T34WC18	121910.00	168	CZ6T34VC23	117280.00	161
CIM34D18FC10	M1130297.00	278	CZ145T34WC20	G121561.00	161	CZ6T34VC24	117281.00	161
CIM34D18FC2	M1130139.00	275	CZ145T34WC21	G121562.00	161	CZ6T34VK16	117118.00	168
CIM34D18FD1	M1130148.00	274	CZ145T34WK10	G121739.00	168	CZ6T34VK17	117120.00	168



Leeson Model Number Index

Motors, Sub-FHP Gearmotors, Drives and Accessories

Model Number	Catalog Number	Page #	Model Number	Catalog Number	Page #	Model Number	Catalog Number	Page #
CZ6T34VK18	117122.00	168	M34D25NZ10	M1135042.00	311	M4C14FZ6	101644.00	180
CZ6T34VK19	117269.00	160	M34D25NZ11	M1135043.00	311	M4C17DB33	101423.00	7
CZ6T34VK20	117271.00	160	M34D25NZ12	M1135044.00	311	M4C17DC2	100018.00	21
CZ6T34VK21	117273.00	160	M34D25NZ13	M1135045.00	311	M4C17DC3	100019.00	21
DDF2S7.51B6008	LM24719	17	M34D25NZ14	M1135046.00	311	M4C17DC5	100021.00	21
G150261.22	G150261.22	47	M34D25NZ154	M1135243.00	307	M4C17DH46	100588.00	7
M009644	M009644.00	193	M34D25NZ155	M1135244.00	307	M4C17DH5	100004.00	7
M143C17DB2	120003.00	8	M34D25NZ156	M1135245.00	307	M4C17DH6	100005.00	7
M143C17FB13	121569.00	171	M34D25NZ157	M1135246.00	307	M4C17DJ17	100045.00	13
M143C17FB2	120008.00	16	M34D25NZ158	M1135249.00	311	M4C17DJ18	100046.00	13
M143K17FB3	121973.00	172	M34D25NZ159	M1135250.00	311	M4C17DJ19	100047.00	13
M143K17FB4	121974.00	172	M34D25NZ160	M1135251.00	311	M4C17DK37	103083.00	23
M145K17FB2	120009.00	16	M34D25NZ161	M1135252.00	311	M4C17DK38	103084.00	23
M145K17FB27	M009090.00	182	M34D25NZ18	M1135069.00	311	M4C17DK39	103086.00	23
M145K17FB29	121975.00	172	M34D25NZ26	M1135058.00	311	M4C17FB10	101446.00	15
M145K17FC13	120855.00	173	M34D25NZ27	M1135059.00	311	M4C17FB22	102018.00	15
M145K17FK11	121625.00	173	M34D25NZ28	M1135060.00	311	M4C17FC33	102865.00	24
M145K17NB	M009595.00	184	M34D25NZ29	M1135061.00	311	M4C17FH30	102909.00	15
M184K17DK13	131630.00	23	M34D25NZ30	M1135053.00	311	M4C17FH33	102933.00	15
M31D17NZ1	M1120013.00	286	M34D25NZ31	M1135054.00	311	M4C17FK7	103082.00	26
M31D17NZ10	M1120044.00	294	M34D25NZ33	M1135062.00	311	M4C17FK8	103085.00	26
M31D17NZ11	M1120045.00	286	M34D25NZ34	M1135063.00	311	M4C17FZ16	101435.00	180
M31D17NZ2	M1120014.00	286	M34D25NZ35	M1135064.00	311	M4C17FZ17	101436.00	180
M31D17NZ26	M1120046.00	294	M34D25NZ36	M1135065.00	311	M4C17FZ18	101437.00	180
M31D17NZ5	M1120039.00	286	M34D25NZ37	M1135066.00	311	M4C17NC27	102869.00	24
M31D17NZ6	M1120040.00	294	M34D25NZ47	M1135056.00	311	M4C17NH8	102913.00	18
M31D17NZ7	M1120041.00	286	M34D25NZ48	M1135057.00	311	M4C34DH2	100052.00	7
M31D17NZ8	M1120042.00	286	M34D25NZ51	M1135115.00	307	M4C34DH3	100053.00	7
M31D17NZ9	M1120043.00	286	M34D25NZ52	M1135117.00	307	M4C34FC14	102872.00	24
M31D17VZ1	M1120181.00	143	M34D25NZ53	M1135108.00	307	M4C34FH7	102904.00	15
M31D17VZ2	M1120182.00	143	M34D25NZ54	M1135109.00	307	M4K17DH2	101544.00	7
M31D17VZ3	M1120183.00	143	M34D25NZ55	M1135110.00	307	M4P17DC29	102017.00	238
M31D17VZ4	M1120184.00	143	M34D25NZ56	M1135111.00	307	M4P17DC30	102021.00	238
M31D18NZ10	M1120027.00	286	M34D25NZ57	M1135114.00	307	M4P17DC7	100704.00	238
M31D25VZ1	M1125268.00	147	M34D25NZ58	M1135112.00	307	M4P17DJ21	191742.00	237
M31D25VZ2	M1125273.00	147	M34D25NZ59	M1135113.00	307	M4P17DJ22	191743.00	237
M31D25VZ3	M1125275.00	149	M34D25NZ6	M1135038.00	311	M4P17DJ7	100802.00	237
M31D25VZ4	M1125276.00	149	M34D25NZ60	M1135116.00	307	M6C14FB22	113908.00	225
M31D35NZ3	M1120059.00	286	M34D25NZ61	M1135107.00	307	M6C14FB23	113909.00	225
M31D35NZ4	M1120060.00	286	M34D25NZ62	M1135106.00	307	M6C14FB24	113910.00	225
M31D35NZ5	M1120062.00	286	M34D25NZ7	M1135039.00	311	M6C14FB25	113911.00	225
M31D35NZ6	M1120058.00	286	M34D25NZ71	M1135139.00	307	M6C14FC5	113921.00	226
M31P17FZ1	M1125127.00	321	M34D25NZ72	M1135140.00	307	M6C14FC6	113922.00	226
M31P17FZ2	M1125128.00	321	M34D25NZ73	M1135141.00	307	M6C14FC7	113923.00	226
M31P17FZ3	M1125129.00	321	M34D25NZ74	M1135142.00	307	M6C14FC8	113924.00	226
M31P17FZ4	M1125130.00	321	M34D25NZ75	M1135143.00	307	M6C14FZ8	113906.00	180
M31P17FZ5	M1125131.00	321	M34D25NZ76	M1135144.00	307	M6C17DB7	110167.00	8
M31P17FZ6	M1125132.00	321	M34D25NZ77	M1135145.00	307	M6C17DC1	110036.00	21
M31P17FZ7	M1125133.00	321	M34D25NZ78	M1135146.00	307	M6C17FB10	110088.00	171
M31P17NZ1	M1125050.00	321	M34D25NZ79	M1135147.00	307	M6C17FB11	110086.00	171
M31P17NZ15	M1125084.00	330	M34D25NZ8	M1135040.00	311	M6C17FB12	M002256.00	182
M31P17NZ16	M1125083.00	330	M34D25NZ80	M1135148.00	307	M6C17FB13	M009086.00	182
M31P17NZ17	M1125082.00	330	M34D25NZ81	M1135149.00	307	M6C17FB14	M009087.00	182
M31P17NZ18	M1125081.00	330	M34D25NZ82	M1135150.00	307	M6C17FB15	M009088.00	182
M31P17NZ19	M1125080.00	330	M34D25NZ9	M1135041.00	311	M6C17FB66	113256.00	171
M31T17NZ26	M1125282.00	334	M38P17FZ10	M1145031.00	323	M6C17FB7	110022.00	16
M31T17NZ27	M1125283.00	334	M38P17FZ11	M1145032.00	323	M6C17FB8	110023.00	16
M31T17NZ28	M1125284.00	334	M38P17FZ12	M1145033.00	323	M6C17FB9	110087.00	171
M31T17NZ29	M1125285.00	334	M38P17FZ13	M1145034.00	323	M6C17FC12	110492.00	173
M32D25VC1	M1120185.00	143	M38P17FZ14	M1145035.00	323	M6C17FC13	110493.00	173
M32D25VC2	M1120186.00	143	M38P17FZ16	M1145037.00	330	M6C17FC14	110494.00	173
M32D25VZ1	M1125269.00	147	M38P17FZ17	M1145038.00	330	M6C17FC140	M002290.00	182
M32D25VZ10	M1125281.00	149	M38P17FZ18	M1145039.00	330	M6C17FC141	M009492.00	182
M32D25VZ2	M1125270.00	147	M38P17FZ19	M1145040.00	330	M6C17FC142	M009493.00	182
M32D25VZ3	M1125271.00	147	M38P17FZ20	M1145041.00	330	M6C17FC143	M009494.00	182
M32D25VZ4	M1125272.00	147	M38P17FZ23	M1145082.00	330	M6C17FC2	110040.00	24
M32D25VZ5	M1125274.00	147	M38P17FZ9	M1145030.00	323	M6C17FC3	110041.00	25
M32D25VZ6	M1125277.00	149	M38P17NZ20	M1145023.00	323	M6C17FC59	113290.00	173
M32D25VZ7	M1125278.00	149	M38P17NZ21	M1145024.00	323	M6C17FK78	116488.00	173
M32D25VZ8	M1125279.00	149	M38P17NZ22	M1145025.00	323	M6C17FK79	116487.00	28
M32D25VZ9	M1125280.00	149	M38P17NZ23	M1145026.00	323	M6C17FK80	116486.00	28
M34D17FZ3	M1135286.00	313	M38P17NZ24	M1145027.00	323	M6C17FK81	115879.00	26
M34D17FZ4	M1135287.00	313	M38P17NZ25	M1145028.00	323	M6C17FK82	116485.00	28
M34D17FZ5	M1135288.00	313	M38P17NZ26	M1145029.00	323	M6C17FK86	116922.00	26
M34D17FZ6	M1135289.00	313	M38T17FZ10	M1145130.00	335	M6C17FZ31	113302.00	180
M34D17FZ7	M1135290.00	313	M38T17FZ11	M1145131.00	335	M6C34DB11	110232.00	11
M34D17NZ28	M1135284.00	313	M38T17FZ12	M1145122.00	334	M6C34DB13	110222.00	11
M34D17NZ29	M1135285.00	313	M38T17FZ14	M1145123.00	334	M6C34DB3	110097.00	8
M34D17NZ30	M1135291.00	313	M38T17FZ15	M1145124.00	334	M6C34DB4	110110.00	8
M34D17NZ31	M1135292.00	313	M38T17FZ16	M1145125.00	334	M6C34DB6	110160.00	11
M34D17NZ32	M1135293.00	313	M38T17FZ17	M1145126.00	334	M6C34DB75	116706.00	9
M34D17NZ33	M1135294.00	313	M38T17FZ7	M1145127.00	335	M6C34DK5	116707.00	23
M34D17NZ34	M1135295.00	313	M38T17FZ8	M1145128.00	335	M6C34FB2	110142.00	16
M34D17NZ35	M1135296.00	313	M38T17FZ9	M1145129.00	335	M6C34FB63	113627.00	235
M34D17NZ36	M1135297.00	313	M4C14FZ5	101643.00	180	M6C34FB7	110108.00	16



Leeson Model Number Index

Motors, Sub-FHP Gearmotors, Drives and Accessories

DC Motors

Gearmotors

Ac / DC Controls

Accessories / Kits

Motors / Factory Options

X-Ref / Index

Tech Information

Terms / Warnings

Other Products

Model Number	Catalog Number	Page #	Model Number	Catalog Number	Page #	Model Number	Catalog Number	Page #
M6C34FB8	110109.00	16	MD4S30TCTMC61	LM03644	96	NZ6C34VK1	116347.00	161
M6C34FC11	110418.00	25	MD4S30TS61	LM03637	93	NZ6C34VK2	116344.00	161
M6C34FC7	110412.00	24	MD4S30TSC61	LM03639	95	NZ6K17VK1	116348.00	161
M6C34FC9	110415.00	25	MD4S30TSC61	LM03645	96	NZ6K17VK2	116346.00	161
M6C34FK78	115877.00	26	MD4S40T61	LM03669	93	P145C34FB5	120395.00	17
M6K17DB30	113266.00	8	MD4S40TC61	LM03673	95	P145K17DB3	120004.00	8
M6K17DB33	113630.00	8	MD4S40TCTMC61	LM03674	96	P145K17DB32	120879.00	8
M6K17DK15	113700.00	23	MD4S40TS61	LM03670	93	P145K17FB28	120867.00	17
M6K17FB3	110089.00	171	MD4S40TSC61	LM03671	95	P145K17FC2	120060.00	25
M6K17FB32	113333.00	16	MD4S40TSC61	LM03675	96	P145K17FK10	121465.00	27
M6K17FB33	113765.00	15	MD4S50T61	LM03683	93	P145K34DB1	120554.00	11
M6K17FB34	113766.00	15	MD4S50TC61	LM03686	95	P145K34FC6	120824.00	25
M6K17FB35	113767.00	16	MD4S50TCTMC61	LM03687	96	P145K34FK4	121060.00	27
M6K17FB36	113768.00	16	MD4S50TS61	LM03684	93	P14K17FK14	131857.00	27
M6K17FB37	113769.00	16	MD4S50TSC61	LM03685	95	P182C14FB5	131600.00	225
M6K17FB38	113770.00	17	MD4S50TSC61Y	LM27884	96	P182C14FC2	131599.00	226
M6K17FB39	113938.00	171	MD4S60T61	LM03709	94	P182C17DB10	131536.00	8
M6K17FB4	110090.00	171	MD4S60TC61	LM03711	95	P182C17FB12	131541.00	171
M6K17FB49	M009089.00	182	MD4S60TCTMC61	LM03714	96	P184C14FB7	131601.00	225
M6K17FB56	117689.00	172	MD4S60TS61	LM03708	94	P184C17DB21	131561.00	9
M6K17FB57	117690.00	172	MD4S60TSC61	LM03713	95	P184C17DK3	131629.00	23
M6K17FB58	117692.00	172	MD4S60TSC61	LM03715	96	P184C17FB13	131542.00	171
M6K17FB59	117693.00	172	MD4S75T61	LM03729	94	P184C17FC5	131603.00	173
M6K17FB60	117691.00	172	MD4S75TC61	LM03730	95	P184C17FK10	131994.00	173
M6K17FC1	110042.00	25	MD4S75TCTMC61	LM03735	96	P184C17FK9	131631.00	27
M6K17FC3	110495.00	173	MD4S75TS61	LM03728	94	P184K17DB33	131622.00	9
M6K17FK47	116489.00	173	MD4S75TSC61	LM03733	95	P184K17FB16	131543.00	171
M6K17FK50	116703.00	26	MD4S75TSC61	LM03736	96	P184K17FB25	131856.00	17
M6K17FZ7	113301.00	180	MD6S100T64PY	LM03752	94	P184K17FB26	131855.00	17
M6K34DB15	113631.00	8	MD6S100TCTMC64PY	LM03757	96	P184K17FC7	131602.00	173
M6K34DK8	114214.00	23	MD6S100T64PY	LM03753	94	P184K17FK11	131633.00	27
M6K34FK16	115024.00	26	MD6S100TSC64PY	LM03755	95	P184K17FK13	131995.00	173
M6K34FK16	115024.00	26	MD6S100TSC64PY	LM03758	96	P184K34FB9	132042.00	17
M6P17DR4	113642.00	237	MD6S125T64PY	LM03768	94	P184K34FK2	131632.00	27
M6T17FB49	111329.00	178	MD6S125TCTMC64PY	LM10745	96	P213K14FB1	140475.00	225
MD2S100T61	LM03740	94	MD6S125T64PY	LM10645	94	P215K17FB15	140707.00	171
MD2S100TS61	LM03739	94	MD6S125TSC64PY	LM03770	95	P215K17FB16	140706.00	171
MD2S125T61	LM10644	94	MD6S125TCTMC64PY	LM03771	96	P215K17FB2	140130.00	173
MD2S125TS61	LM03797	94	MD6S15T61	LM03614	93	P215K17FB3	140203.00	173
MD2S150T61	LM03816	94	MD6S15TC61	LM03616	95	P215K17FB4	140209.00	173
MD2S150TS61	LM03815	94	MD6S15TCTMC61	LM10725	96	P215K17FB5	140223.00	173
MD2S30T61	LM03628	93	MD6S15TS61	LM10636	93	P215K17FB6	140414.00	173
MD2S30TS61	LM03627	93	MD6S15TSC61	LM03615	95	P215K17FK5	140705.00	178
MD2S40T61	LM03651	93	MD6S15TCTSC61	LM10726	96	P4C17FZ11	101159.00	180
MD2S40TS61	LM03650	93	MD6S20T61	LM03631	93	P4C17FZ6	101119.00	180
MD2S50T61	LM03682	93	MD6S20TC61	LM03633	95	P4C17FZ7	101120.00	180
MD2S50TS61	LM03681	93	MD6S20TCTMC61	LM10727	96	P6C17FB112	114933.00	238
MD2S60T61	LM03692	94	MD6S20TS61	LM10637	93	P6C17FB113	114932.00	238
MD2S60TS61	LM03691	94	MD6S20TSC61	LM03632	95	P6C17FZ27	112615.00	180
MD2S75T61	LM03719	94	MD6S20TCTSC61	LM03634	96	P6C34DB21	110362.00	8
MD2S75TS61	LM03718	94	MD6S25T61	LM03665	93	P6C34DB7	110161.00	11
MD4S100T61	LM03791	94	MD6S25TC61	LM03666	95	P6C34DC50	113334.00	22
MD4S100TC61	LM03792	95	MD6S25TCTMC61	LM03667	96	P6C34FB23	110402.00	17
MD4S100TCTMC61	LM10741	96	MD6S25TS61	LM10639	93	P6C34FC13	110421.00	25
MD4S100TS61	LM03790	94	MD6S25TCTSC61	LM03668	96	P6C34FK79	115878.00	27
MD4S100TSC61	LM03794	95	MD6S30T61	LM03865	93	P6K14FB9	113929.00	225
MD4S100TSC61	LM03795	96	MD6S30TCTMC61	LM10730	96	P6K14FC4	113925.00	226
MD4S125T61	LM03809	94	MD6S30TS61	LM10640	93	P6K14FZ2	113907.00	180
MD4S125TC61	LM03810	95	MD6S30TCTSC61	LM03866	96	P6K17DB2	110006.00	8
MD4S125TS61	LM03808	94	MD6S40T61	LM03703	93	P6K17DB47	116704.00	8
MD4S125TSC61	LM03812	95	MD6S40TC61	LM03705	95	P6K17DC1	110037.00	22
MD4S125TCTSC61	LM03813	96	MD6S40TCTMC61	LM03706	96	P6K17DK12	113281.00	23
MD4S150T64PY	LM03761	94	MD6S40TS61	LM10641	93	P6K17FB18	111330.00	178
MD4S150TCTMC64PY	LM10748	96	MD6S40TCTSC61	LM03707	96	P6K17FZ6	113280.00	180
MD4S150TS64PY	LM03760	94	MD6S50T61	LM03720	93	P6K34DB16	113632.00	8
MD4S150TSC64PY	LM03763	95	MD6S50TC61	LM03724	95	P6K34DB22	116523.00	11
MD4S150TCTSC64PY	LM03764	96	MD6S50TCTMC61	LM03725	96	P6K34DB26	116708.00	9
MD4S200T64PY	LM03773	94	MD6S50TS61	LM10642	93	P6K34DB27	116789.00	11
MD4S200TCTMC64PY	LM10749	96	MD6S50TCTSC61	LM03726	96	P6K34DB5	111275.00	11
MD4S200TS64PY	LM03772	94	MD6S60T61	LM03785	94	P6K34DB5	111275.00	11
MD4S200TSC64PY	LM03776	95	MD6S60TCTMC61	LM03787	96	P6K34DK18	116709.00	23
MD4S200TCTSC64PY	LM03777	96	MD6S60TS61	LM10643	94	P6K34DK9	114215.00	23
MD4S250T64PY	LM03780	94	MD6S60TCTSC61	LM03788	96	P6K34FB31	116705.00	17
MD4S250TCTMC64PY	LM10750	96	MD6S75T61	LM03799	94	P6K34FK15	114995.00	27
MD4S250TS64PY	LM03779	94	MD6S75TC61	LM03804	95	P6K34FK17	115048.00	27
MD4S250TCTSC64PY	LM10751	96	MD6S75TCTMC61	LM03805	96	RD2S0.75T62	LM05332	221
MD4S25T61	LM03618	93	MD6S75TS61	LM03800	94	RD2S1T62	LM05342	221
MD4S25TC61	LM03623	95	MD6S75TCTSC61	LM03806	96	RD6S0.75T62	LM05345	221
MD4S25TCTMC61	LM03624	96	N143C17WB1	120589.00	133	S449F2B300TS65Y	LM15138	213
MD4S25TS61	LM10638	93	N215K17FB1	140120.00	17	S449F2B300TSC65Y	LM20058	217
MD4S25TSC61	LM03619	95	N445T17DB9	G151518.60	38	S449F2P300TS65Y	LM15098	213
MD4S25TCTSC61	LM03625	96	NZ6C17VC1	116349.00	161	S449F2P300TSC65Y	LM19619	217
MD4S30T61	LM03636	93	NZ6C17VC2	116350.00	161	S449F4P300T64PYRBT1	LM18757	242
MD4S30TC61	LM03643	95	NZ6C17VK1	116343.00	161	S6B15TC61Y	LM32806	62
			NZ6C17VK2	116345.00	161	SB4H100T61YQ10	LM03472	78



Leeson Model Number Index

Motors, Sub-FHP Gearmotors, Drives and Accessories

Model Number	Catalog Number	Page #	Model Number	Catalog Number	Page #	Model Number	Catalog Number	Page #
SB4H100T61YQ15	LM03473	81	SD2P350TSC64Y	LM13802	64	SD4P100T62	LM33076	221
SB4H125T64YQ10	LM03516	78	SD2P3T62	LM33058	221	SD4P100T65Y	LM18298	219
SB4H125T64YQ15	LM03517	81	SD2P400TS64Y	LM13770	38	SD4P100TC65Y	LM19719	220
SB4H150T64YQ10	LM03564	78	SD2P400TS65Y	LM15116	219	SD4P10T3006ET1	LM28125	246
SB4H150T64YQ15	LM03565	81	SD2P400TSC64Y	LM13805	64	SD4P10T31ET1	LM28124	246
SB4H200T64YQ10	LM03596	78	SD2P40TS62	LM33068	221	SD4P10T41ET1	LM28122	246
SB4H200T64YQ15	LM03597	81	SD2P40T65Y	LM15599	218	SD4P10TCN3006ET1	LM28207	248
SB4H25T61Q10	LM03188	78	SD2P50T62	LM33069	221	SD4P10TCN31ET1	LM28206	248
SB4H25T61Q15	LM03189	81	SD2P50T65Y	LM14401	218	SD4P10TCN4006ET1	LM30733	248
SB4H30T61Q10	LM03236	78	SD2P50TSC61Y	LM13839	63	SD4P10TCN41ET1	LM30732	248
SB4H30T61Q15	LM03237	81	SD2P5T62	LM33061	221	SD4P12.5T3006ET1	LM30678	246
SB4H40T61Q10	LM03284	78	SD2P60T62	LM33071	221	SD4P12.5T31ET1	LM30677	246
SB4H40T61Q15	LM03285	81	SD2P60T65Y	LM14404	219	SD4P12.5TCN3006ET1	LM30736	248
SB4H50T61Q10	LM03332	78	SD2P75T62	LM33073	221	SD4P12.5TCN3006ET1	LM30737	248
SB4H50T61Q15	LM03333	81	SD2P75T65Y	LM18379	219	SD4P12.5TCN6006ET1	LM30735	248
SB4H60T61Q10	LM03376	78	SD2S15Z6006YEH3	LM29656	251	SD4P12.5TCN61ET1	LM30734	248
SB4H60T61YQ15	LM03377	81	SD2S15Z61YEH3	LM29657	251	SD4P125T61YQ40	LM30727	85
SB4H75T61YQ10	LM03424	78	SD2S15Z65YEH3	LM29658	251	SD4P125T62	LM33077	221
SB4P75T61YQ15	LM03425	81	SD2S20Z6006YEH3	LM29659	251	SD4P125T65Y	LM18306	219
SB6H100T64YQ10	LM03490	78	SD2S20Z61YEH3	LM29660	251	SD4P125TC65Y	LM19722	220
SB6H100T64YQ15	LM03491	81	SD2S20Z65YEH3	LM29661	251	SD4P150T65Y	LM15101	219
SB6H125T64YQ10	LM03536	78	SD2S25Z6006YEH3	LM29662	251	SD4P150TC65Y	LM19725	220
SB6H125T64YQ15	LM03537	81	SD2S25Z61YEH3	LM29663	251	SD4P15T3006ET1	LM28131	246
SB6H15T61Q10	LM03140	78	SD2S25Z65YEH3	LM29664	251	SD4P15T4006ET1	LM28129	246
SB6H20T61Q10	LM03156	78	SD2S30Z6006YEH3	LM29665	251	SD4P15T41ET1	LM28128	246
SB6H20T61Q15	LM03157	81	SD2S30Z61YEH3	LM29666	251	SD4P15T6006ET1	LM30680	246
SB6H25T61Q10	LM03204	78	SD2S30Z65YEH3	LM29667	251	SD4P15T61ET1	LM30679	246
SB6H25T61Q15	LM03205	81	SD2S40Z6006YEH3	LM29668	251	SD4P15TCN31ET1	LM28210	248
SB6H30T61Q10	LM03252	78	SD2S40Z61YEH3	LM29669	251	SD4P15TCN4006ET1	LM30751	248
SB6H30T61Q15	LM03253	81	SD2S40Z65YEH3	LM29670	251	SD4P15TCN41ET1	LM30750	248
SB6H40T61Q15	LM03301	81	SD2S50Z6006YEH3	LM29671	251	SD4P15TCN6006ET1	LM30749	248
SB6H40T61YQ10	LM03300	78	SD2S50Z61YEH3	LM29672	251	SD4P15TCN61ET1	LM30748	248
SB6H50T61YQ10	LM03348	78	SD2S50Z65YEH3	LM29673	251	SD4P1T62	LM33053	221
SB6H50T61YQ15	LM03349	81	SD48125TS61Y	LM32759	37	SD4P200T65Y	LM15106	219
SB6H60T61Q10	LM03396	78	SD48150TS64Y	LM32760	37	SD4P200TC65Y	LM19728	220
SB6H60T61YQ15	LM03397	81	SD4B100T61Y	LM13943	37	SD4P20T3006ET1	LM28137	247
SB6H75T61YQ10	LM03444	78	SD4B100TC61Y	LM17387	63	SD4P20T31ET1	LM28136	247
SB6H75T61YQ15	LM03445	81	SD4B100TS61Y	LM32757	37	SD4P20T4006ET1	LM28135	247
SD2B100T61Y	LM32756	37	SD4B100TSC1Y	LM32788	63	SD4P20T41ET1	LM28134	247
SD2B100TS61Y	LM14814	37	SD4B125T61Y	LM13946	37	SD4P20T6006ET1	LM30682	246
SD2B100TSC61Y	LM15572	63	SD4B125TC61Y	LM17389	63	SD4P20T61ET1	LM30681	246
SD2B125T61Y	LM32758	37	SD4B125TSC61Y	LM32657	63	SD4P20TCN31ET1	LM28214	248
SD2B125TS61Y	LM13942	37	SD4B150T64Y	LM13817	37	SD4P20TCN41ET1	LM30739	248
SD2B125TSC61Y	LM17388	63	SD4B150TC64Y	LM13793	63	SD4P20TCN6006ET1	LM30740	248
SD2B150TS61Y	LM13945	37	SD4B150TSC64Y	LM32789	63	SD4P20TCN6006ET1	LM30753	248
SD2B150TSC614	LM17390	63	SD4B200T64Y	LM13820	37	SD4P20TCN61ET1	LM30752	248
SD2B200T64Y	LM13819	37	SD4B200TC64Y	LM13796	64	SD4P250T64Y	LM13762	38
SD2B250T64Y	LM13822	38	SD4B200TS64Y	LM32761	37	SD4P250T65Y	LM15104	219
SD2B250TSC64Y	LM13798	64	SD4B250T64Y	LM13823	38	SD4P250TC64Y	LM13788	64
SD2B300T64Y	LM13825	38	SD4B250TC64Y	LM16235	38	SD4P250TC65Y	LM19731	220
SD2B30T61Y	LM32687	36	SD4B250TSC64Y	LM13799	64	SD4P250TS64Y	LM15466	38
SD2B30TSC61Y	LM13966	36	SD4B300T64Y	LM13826	38	SD4P250TSC64Y	LM20695	64
SD2B350TS64Y	LM13828	38	SD4B300TC64Y	LM16238	38	SD4P25T3006YET1	LM28143	247
SD2B350TSC64Y	LM16237	38	SD4B300T61Y	LM13843	64	SD4P25T31ET1	LM28142	247
SD2B350TSC61Y	LM13845	64	SD4B30TC61Y	LM31246	63	SD4P25T4006ET1	LM28141	247
SD2B400T64Y	LM13831	38	SD4B350T64Y	LM13829	38	SD4P25T41ET1	LM28140	247
SD2B400TSC64Y	LM13848	64	SD4B350TC64Y	LM17957	38	SD4P25T61ET1	LM30720	247
SD2B40T61Y	LM32750	36	SD4B350T61Y	LM13846	64	SD4P25T61YQ40	LM21174	85
SD2B40TSC61Y	LM13969	36	SD4B40/50T61YEH2	LM32651	244	SD4P25T62	LM33067	221
SD2B40TSC61Y	LM17384	63	SD4B400T64Y	LM13832	38	SD4P25T62ET1	LM30721	247
SD2B50T61Y	LM32752	36	SD4B400TC64Y	LM13849	64	SD4P25TCN3006ET1	LM28219	248
SD2B50TSC61Y	LM13812	36	SD4B40T61Y	LM13811	36	SD4P25TCN31ET1	LM28218	248
SD2B50TSC61Y	LM13838	63	SD4B40TC61Y	LM13837	63	SD4P25TCN4006ET1	LM30755	248
SD2B60TS61Y	LM13814	36	SD4B40TS61Y	LM32751	36	SD4P25TCN41ET1	LM30754	248
SD2B60TSC61Y	LM13840	63	SD4B40TSC61Y	LM32684	63	SD4P25TCN6006ET1	LM30760	248
SD2B75T61Y	LM32754	37	SD4B50T61Y	LM13813	36	SD4P25TCN61ET1	LM31607	248
SD2B75TS61Y	LM14812	37	SD4B50TC61Y	LM32674	36	SD4P300T64Y	LM13765	38
SD2B75TSC61Y	LM15569	63	SD4B60T61Y	LM14813	36	SD4P300T64Y	LM16227	38
SD2P1.5T62	LM33055	221	SD4B60TC61Y	LM15570	63	SD4P300T65Y	LM15061	219
SD2P100TS62	LM33075	221	SD4B60T61Y	LM15570	63	SD4P300TC64Y	LM15312	64
SD2P100TS65Y	LM18385	219	SD4B60TS61Y	LM32753	36	SD4P300TC65Y	LM19734	220
SD2P125TS65Y	LM18296	219	SD4B60TSC61Y	LM32787	63	SD4P300TS64Y	LM22758	38
SD2P150TS65Y	LM18302	219	SD4B75T61Y	LM14815	37	SD4P30T3006ET1	LM28148	247
SD2P200TS65Y	LM15100	219	SD4B75TS61Y	LM32755	37	SD4P30T31ET1	LM28147	247
SD2P250T64Y	LM13761	38	SD4B75TSC61Y	LM15573	63	SD4P30T4006ET1	LM28146	247
SD2P250T65Y	LM15103	219	SD4B75TSC61Y	LM32656	63	SD4P30T41ET1	LM28145	247
SD2P250TSC64Y	LM13787	64	SD4G40/50T6006YEH2	LM28897	244	SD4P30T61ET1	LM30722	247
SD2P300TS64Y	LM13764	38	SD4G40/50T61YEH2	LM28898	244	SD4P30T61YQ40	LM21177	85
SD2P300TS65Y	LM15111	219	SD4G40/50T65YEH2	LM28899	244	SD4P30T62	LM32670	221
SD2P300TSC64Y	LM13790	64	SD4G50/60T6006YEH2	LM28903	244	SD4P30T62ET1	LM30723	247
SD2P30TS62	LM32683	221	SD4G50/60T61YEH2	LM28904	244	SD4P30TCN3006ET1	LM28222	249
SD2P30TS65Y	LM20081	218	SD4G50/60T65YEH2	LM28905	244	SD4P30TCN31ET1	LM28221	249
SD2P350T64Y	LM13767	38	SD4G60/75T6006YEH2	LM28909	244	SD4P30TCN4006ET1	LM30757	249
SD2P350T64Y	LM16226	38	SD4G60/75T65YEH2	LM28911	244	SD4P30TCN41ET1	LM30756	249
SD2P350TS65Y	LM15108	219	SD4P100T61YQ40	LM21127	85	SD4P30TCN6006ET1	LM30762	249



Leeson Model Number Index

Motors, Sub-FHP Gearmotors, Drives and Accessories

DC Motors

Gearmotors

Ac / DC Controls

Accessories / Kits

Motors / Factory Options

X-Ref / Index

Tech Information

Terms / Warnings

Other Products

Model Number	Catalog Number	Page #	Model Number	Catalog Number	Page #	Model Number	Catalog Number	Page #
SD4P350T64Y	LM13768	38	SD6B50TC61Y	LM15574	63	SF2B400TS64Y	LM13721	52
SD4P350T64Y	LM15159	38	SD6B60T61Y	LM13944	36	SF2B400TS65Y	LM15132	213
SD4P350T64Y	LM17954	38	SD6B60TC61Y	LM17385	63	SF2B400TSC64Y	LM13747	74
SD4P350T65Y	LM15109	219	SD6B75T61Y	LM13947	37	SF2B400TSC65Y	LM20063	217
SD4P350TC64Y	LM13803	64	SD6B75TC61Y	LM17386	63	SF2B40T61Y	LM32671	49
SD4P400T64Y	LM13771	38	SD6G15T6006YET1	LM28127	246	SF2B40TS61Y	LM13698	49
SD4P400T65Y	LM15117	219	SD6P10T6006ET1	LM28121	246	SF2B40TS65Y	LM14407	211
SD4P400TC64Y	LM13806	64	SD6P10TCN6006ET1	LM28205	248	SF2B40TSC61Y	LM13725	73
SD4P400TS64Y	LM22759	38	SD6P12.5T6006YET1	LM30676	246	SF2B40TSC65Y	LM14561	215
SD4P40T3006ET1	LM28154	247	SD6P12.5T61ET1	LM31393	246	SF2B50T61Y	LM32669	49
SD4P40T31ET1	LM28153	247	SD6P15TCN61ET1	LM28208	248	SF2B50TS61Y	LM13700	49
SD4P40T4006ET1	LM28152	247	SD6P1T62	LM33054	221	SF2B50TS65Y	LM14410	211
SD4P40T41ET1	LM28151	247	SD6P25T6006ET1	LM28139	247	SF2B50TSC61Y	LM13727	73
SD4P40T61ET1	LM30724	247	SD6P25TCN6006ET1	LM28217	248	SF2B50TSC65Y	LM14564	215
SD4P40T61YQ40	LM21180	85	SD6P3T62	LM33060	221	SF2B60T61Y	LM32816	49
SD4P40T62	LM32680	221	SD6P40TCN6006ET1	LM28224	249	SF2B60TS61Y	LM14808	49
SD4P40T62ET1	LM30725	247	SD6P40TCN61ET1	LM28223	249	SF2B60TS65Y	LM18370	212
SD4P40T65Y	LM14402	218	SD6P50TCN6006ET1	LM28228	249	SF2B60TSC65Y	LM20037	216
SD4P40T65Y	LM14556	220	SD6P50TCN61ET1	LM28227	249	SF2B60TSC661Y	LM15562	73
SD4P40TCN3006ET1	LM28226	249	SD6P5T62	LM33063	221	SF2B75T61Y	LM32729	50
SD4P40TCN31ET1	LM28225	249	SD6P60T6006YET1	LM28162	247	SF2B75TS61Y	LM14810	50
SD4P40TCN4006ET1	LM30765	249	SD6P60T61YET1	LM28161	247	SF2B75TS65Y	LM18376	212
SD4P40TCN41ET1	LM30758	249	SD6P7.5T6006ET1	LM28115	246	SF2B75TSC61Y	LM15566	73
SD4P40TCN6006ET1	LM30764	249	SD6P7.5T61ET1	LM28114	246	SF2B75TSC65Y	LM20040	216
SD4P40TCN61ET1	LM30763	249	SD6P7.5TCN6006ET1	LM28201	248	SF2P100TS61YQ40	LM21226	83
SD4P50T31ET1	LM28159	247	SD6P7.5TCN61ET1	LM28200	248	SF2P100TS65Y	LM18290	212
SD4P50T4006ET1	LM28158	247	SD6P75T6006YET1	LM28168	247	SF2P100TSC61Y	LM19605	216
SD4P50T41ET1	LM28157	247	SD6P75T61YET1	LM28167	247	SF2P125TS64YQ40	LM21229	83
SD4P50T6006ET1	LM30648	247	SD6S15T61YET1	LM28126	246	SF2P125TS65Y	LM15078	212
SD4P50T61ET1	LM30647	247	SD6S15TCN6006YET1	LM28209	248	SF2P125TSC65Y	LM19608	216
SD4P50T61YQ40	LM21118	85	SD6S20T6006YET1	LM28133	247	SF2P150TS64YQ40	LM21232	83
SD4P50T65Y	LM14405	218	SD6S20T61YET1	LM28132	247	SF2P150TS65Y	LM15084	212
SD4P50TC65Y	LM14559	220	SD6S20TCN6006YET1	LM28213	248	SF2P150TSC65Y	LM19611	216
SD4P50TCN6006ET1	LM30747	249	SD6S20TCN61YET1	LM28212	248	SF2P200TS64YQ40	LM21235	83
SD4P50TCN61ET1	LM30746	249	SD6S25T61YET1	LM28138	247	SF2P200TS65Y	LM15081	212
SD4P60/75T61YEH2	LM32673	245	SD6S25TC61YET1	LM28216	248	SF2P200TSC65Y	LM19614	216
SD4P60T3006ET1	LM28166	247	SD6S30T6006YET1	LM28144	247	SF2P250TS64Y	LM13556	51
SD4P60T31ET1	LM28165	247	SD6S30T61YET1	LM27976	247	SF2P250TS64Y	LM16222	51
SD4P60T4006ET1	LM28164	247	SD6S30TCN6006YET1	LM28220	249	SF2P250TS64YQ40	LM21240	83
SD4P60T41ET1	LM28163	247	SD6S30TCN61YET1	LM27971	249	SF2P250TS65Y	LM15087	213
SD4P60T6006ET1	LM30650	247	SD6S40T6006YET1	LM28150	247	SF2P250TSC64Y	LM13582	74
SD4P60T61ET1	LM30649	247	SD6S40T61YET1	LM28149	247	SF2P250TSC65Y	LM19616	216
SD4P60T61YQ40	LM21121	85	SD6S50T6006YET1	LM28156	247	SF2P300TS64Y	LM13559	52
SD4P60T62	LM33070	221	SD6S50T61YET1	LM28155	247	SF2P300TS64YQ40	LM21242	83
SD4P60T62	LM33072	221	SDB200T64Y	LM16239	37	SF2P300TSC64Y	LM13585	74
SD4P60T65Y	LM18378	219	SDB200TSC64Y	LM13795	64	SF2P350TS65Y	LM15096	213
SD4P60TC65Y	LM19713	220	SDB200TSC64Y	LM32677	64	SF2P350TSC64Y	LM13588	74
SD4P7.5T3006ET1	LM28119	246	SDB300TSC64Y	LM13842	64	SF2P350TSC65Y	LM19623	217
SD4P7.5T31ET1	LM28118	246	SDB30TSC61Y	LM17382	63	SF2P400TS64Y	LM13564	52
SD4P7.5T4006ET1	LM28117	246	SDB40T61Y	LM13924	36	SF2P400TS65Y	LM15093	213
SD4P7.5T41ET1	LM28116	246	SDB60T61Y	LM32682	36	SF2P400TSC64Y	LM13590	74
SD4P7.5TCN3006ET1	LM28203	248	SE4S125TCTMC61	LM10744	96	SF2P400TSC65Y	LM19625	217
SD4P7.5TCN31ET1	LM28202	248	SE4S250TSC64PY	LM16564	95	SF2P40TS61YQ40	LM21213	83
SD4P7.5TCN4006ET1	LM30663	248	SE6S30TC61	LM20488	95	SF2P40TS62	LM02323	223
SD4P7.5TCN41ET1	LM30665	248	SED4S0.75T1B6028	LM24502	7	SF2P40TS65Y	LM14395	211
SD4P75/100T65YEH2	LM28915	244	SF2S20.75T61	LM24133	43	SF2P40TSC65Y	LM14549	215
SD4P75T4006ET1	LM28170	247	SF2350TS64Y	LM13562	52	SF2P50TS61YQ40	LM21216	83
SD4P75T41ET1	LM28169	247	SF2B100T61Y	LM32818	50	SF2P50TS62	LM02159	223
SD4P75T6006ET1	LM30652	247	SF2B100TS61Y	LM13939	50	SF2P50TS65Y	LM14398	211
SD4P75T61ET1	LM30651	247	SF2B100TS65Y	LM18291	212	SF2P50TSC65Y	LM14552	215
SD4P75T61YQ40	LM21124	85	SF2B100TSC61Y	LM16719	74	SF2P60TS61YQ40	LM21219	83
SD4P75T62	LM33074	221	SF2B100TSC65Y	LM20043	216	SF2P60TS62	LM02579	223
SD4P75T65Y	LM18384	219	SF2B125TS64Y	LM13703	50	SF2P60TS65Y	LM18367	212
SD4P75TC65Y	LM19716	220	SF2B125TS65Y	LM15119	212	SF2P60TSC65Y	LM19600	216
SD4S15T31YET1	LM30535	246	SF2B125TSC64Y	LM13730	74	SF2P75TS61YQ40	LM21222	83
SD4S15TCN3006ET1	LM28211	248	SF2B125TS65Y	LM20046	216	SF2P75TS62	LM02921	223
SD4S20TCN3006YET1	LM28215	248	SF2B150TS64Y	LM13706	51	SF2P75TS65Y	LM18373	212
SD4S30TCN61YET1	LM30702	249	SF2B150TS65Y	LM15125	212	SF2P75TSC65Y	LM19602	216
SD4S50T3006YET1	LM28160	247	SF2B150TSC64Y	LM13733	74	SF4B100T61Y	LM13940	50
SD4S60/75T61YEH2	LM28910	244	SF2B150TSC65Y	LM20049	216	SF4B100T64PYRBT1	LM18759	242
SD5B100TC64Y	LM13791	63	SF2B200TS64Y	LM13709	51	SF4B100T65Y	LM18307	212
SD6B100T64Y	LM13815	37	SF2B200TS64Y	LM16229	51	SF4B100TC61Y	LM15263	74
SD6B125C64Y	LM13792	63	SF2B200TS65Y	LM15122	212	SF4B100TC65Y	LM20044	216
SD6B125T64Y	LM13816	37	SF2B200TSC64Y	LM13736	74	SF4B100TS61Y	LM32819	50
SD6B150T64Y	LM13818	37	SF2B200TSC65Y	LM20052	216	SF4B100TSC61Y	LM32659	74
SD6B150TC64Y	LM13794	63	SF2B250TS64Y	LM13712	51	SF4B125T64PYRBT1	LM17734	242
SD6B200TC64Y	LM13797	64	SF2B250TS64Y	LM16232	51	SF4B125T64Y	LM13704	50
SD6B250T64Y	LM17958	38	SF2B250TS65Y	LM15128	213	SF4B125T65Y	LM15120	212
SD6B250TC64Y	LM13841	64	SF2B250TSC65Y	LM20055	216	SF4B125TC64Y	LM13731	74
SD6B25T61Y	LM13809	36	SF2B300TS64Y	LM13715	52	SF4B125TC65Y	LM20047	216
SD6B25TC61Y	LM14535	63	SF2B300TSC64Y	LM13742	74	SF4B125TS64Y	LM32820	50
SD6B30T61Y	LM13810	36	SF2B350TS64YQ40	LM21243	83	SF4B125TSC64Y	LM32844	74
SD6B30TC61Y	LM13836	63	SF2B350TS65Y	LM15135	213	SF4B150T64PYRBT1	LM17736	242
SD6B40TC61Y	LM15571	63	SF2B350TSC64Y	LM13745	74	SF4B150T64Y	LM13707	51
SD6B50T61Y	LM13927	36	SF2B350TSC65Y	LM20061	217	SF4B150T65Y	LM15126	212



Leeson Model Number Index

Motors, Sub-FHP Gearmotors, Drives and Accessories

Model Number	Catalog Number	Page #	Model Number	Catalog Number	Page #	Model Number	Catalog Number	Page #
SF4B150TC64Y	LM13734	74	SF4P300T65Y	LM15089	213	SF6P150T64YQ40	LM21234	83
SF4B150TC65Y	LM20050	216	SF4P300TC64Y	LM15308	74	SF6P150T65Y	LM15083	212
SF4B150TS64Y	LM32679	51	SF4P300TC64Y	LM19193	74	SF6P150TC65Y	LM19613	216
SF4B150TSC64Y	LM32845	74	SF4P300TC65Y	LM19620	217	SF6P200T64YQ40	LM21237	83
SF4B200T64PYRBT1	LM17738	242	SF4P300TS64Y	LM18319	52	SF6P200T65Y	LM15091	212
SF4B200T64Y	LM13710	51	SF4P300TS64Y	LM18347	52	SF6P200TC65Y	LM19615	216
SF4B200T64Y	LM16230	51	SF4P350T64PYRBT1	LM17718	242	SF6P250T64PYRBT1	LM17715	242
SF4B200T65Y	LM15123	212	SF4P350T64Y	LM13563	52	SF6P250T65Y	LM15099	213
SF4B200TC64Y	LM13737	74	SF4P350T64YQ40	LM21244	83	SF6P25T61YQ40	LM21212	83
SF4B200TC65Y	LM20053	216	SF4P350T65Y	LM15097	213	SF6P25T62	LM33104	223
SF4B200TS64Y	LM32821	51	SF4P350TC64Y	LM15400	74	SF6P25T65Y	LM14397	211
SF4B200TSC64Y	LM32660	74	SF4P350TC65Y	LM19624	217	SF6P25TC65Y	LM14551	215
SF4B250T64PYRBT1	LM17741	242	SF4P400T64PYRBT1	LM17719	242	SF6P30T61YQ40	LM21215	83
SF4B250T64Y	LM13713	51	SF4P400T64Y	LM13565	52	SF6P30T62	LM33105	223
SF4B250T64Y	LM16233	51	SF4P400T65Y	LM15094	213	SF6P30T65Y	LM14400	211
SF4B250T65Y	LM15130	213	SF4P400TC64Y	LM13591	74	SF6P30TC65Y	LM14554	215
SF4B250TC64Y	LM13740	74	SF4P400TC65Y	LM19626	217	SF6P40T61YQ40	LM21218	83
SF4B250TC65Y	LM20056	216	SF4P40T61YQ40	LM21214	83	SF6P40T62	LM02578	223
SF4B300T64PYRBT1	LM17743	242	SF4P40T62	LM02005	223	SF6P40T65Y	LM18365	211
SF4B300T64Y	LM13716	52	SF4P40T65Y	LM14396	211	SF6P40TC65Y	LM19598	215
SF4B300T64Y	LM17956	52	SF4P40TC65Y	LM14550	215	SF6P50T61YQ40	LM21221	83
SF4B300T65Y	LM15129	213	SF4P50T61YQ40	LM21217	83	SF6P50T62	LM02460	223
SF4B300TC64Y	LM13743	74	SF4P50T62	LM02010	223	SF6P50T65Y	LM18371	211
SF4B300TC65Y	LM20059	217	SF4P50T65Y	LM14399	211	SF6P50TC65Y	LM19599	215
SF4B350T64PYRBT1	LM17745	242	SF4P50TC65Y	LM14553	215	SF6P60T61YQ40	LM21224	83
SF4B350T64Y	LM13720	52	SF4P60T61YQ40	LM21220	83	SF6P60T65Y	LM18288	212
SF4B350T65Y	LM15136	213	SF4P60T62	LM02386	223	SF6P60TC65Y	LM19601	216
SF4B350TC64Y	LM13746	74	SF4P60T65Y	LM18366	212	SF6P75T61YQ40	LM21225	83
SF4B350TC65Y	LM20062	217	SF4P60TC65Y	LM19603	216	SF6P75T65Y	LM18294	212
SF4B400T64PYRBT1	LM17746	242	SF4P75T61YQ40	LM21223	83	SF6P75TC65Y	LM19604	216
SF4B400T64Y	LM13722	52	SF4P75T62	LM02394	223	SFB250TSC64Y	LM13739	74
SF4B400T65Y	LM15133	213	SF4P75T65Y	LM18372	212	SFB350TS64Y	LM13719	52
SF4B400TC64Y	LM13748	74	SF4P75TC65Y	LM15921	216	SPA4/6/150.25/0.25TZNY1S6	LM24492	184
SF4B400TC65Y	LM20064	217	SF6B100T64PYRBT1	LM17733	242	001TP2-1		
SF4B40T61Y	LM13699	49	SF6B100T64Y	LM13702	50	SPA4/6/150.33/0.33TZNY1S6	LM24491	184
SF4B40T65Y	LM14408	211	SF6B100T65Y	LM15121	212	001TP2-1		
SF4B40TC61Y	LM13726	73	SF6B100TC64Y	LM13729	74	SPA4S0.25TZRY1A6027AP10-1	LM24447	175
SF4B40TC65Y	LM14562	215	SF6B100TC65Y	LM20045	216	SPA4S0.25TZRY1A6027AP11-1	LM24445	175
SF4B40TS61Y	LM32686	49	SF6B125T64PYRBT1	LM17735	242	SPA4S0.25TZRY1S6001TP2-1	LM24487	185
SF4B40TSC61Y	LM32652	73	SF6B125T64Y	LM13705	50	SPA4S0.33TADN1C6027TP1	LM24462	180
SF4B50/60T61YE2	LM32663	244	SF6B125T65Y	LM15127	212	SPA4S0.33TZRY1A6027AP10-1	LM24448	175
SF4B50T61Y	LM13701	49	SF6B125TC64Y	LM13733	74	SPA4S0.33TZRY1A6027AP11-1	LM24450	175
SF4B50T65Y	LM14411	211	SF6B125TC65Y	LM20048	216	SPA4S0.33TZRY1S6001TP2-1	LM24486	185
SF4B50TC65Y	LM14565	215	SF6B150T64PYRBT1	LM17737	242	SPA4S0.5TADN1C6027TP1	LM24463	180
SF4B50TS61Y	LM32815	49	SF6B150T64Y	LM16231	51	SPA4S0.5TZRY1A6027AP10-1	LM24449	175
SF4B50TSC61Y	LM32843	73	SF6B150T65Y	LM15124	212	SPA4S0.5TZRY1A6027AP11-1	LM24446	175
SF4B59TC61Y	LM13728	73	SF6B150TC64Y	LM13735	74	SPA6S0.25TZRY1A6027AP10-1	LM24442	175
SF4B60T61Y	LM14809	49	SF6B150TC65Y	LM20051	216	SPA6S0.33TZRY1A6027AP10-1	LM24443	175
SF4B60T65Y	LM18369	212	SF6B200T64PYRBT1	LM17740	242	SPA6S0.5TZRY1A6027AP10-1	LM24444	175
SF4B60TC61Y	LM15563	73	SF6B200T64Y	LM13711	51	SPD2S0.33T1C6028	LM24467	7
SF4B60TC65Y	LM20038	216	SF6B200T65Y	LM15131	212	SPD2S0.5T1C6028	LM24465	7
SF4B60TS61Y	LM32676	49	SF6B200TC65Y	LM20054	216	SPD4B50TSC61Y	LM32655	63
SF4B60TSC61Y	LM32665	73	SF6B250T64PYRBT1	LM17742	242	SPD4S0.25T1C6028	LM24457	7
SF4B75T61Y	LM14811	50	SF6B250T65Y	LM15137	213	SPD4S0.25T1C6028TP1	LM24458	7
SF4B75T65Y	LM18375	212	SF6B25T61Y	LM13696	48	SPD4S0.25T61	LM24866	33
SF4B75TC61Y	LM15567	73	SF6B25T65Y	LM14409	211	SPF4S0.25T61	LM24929	43
SF4B75TC61Y	LM32653	73	SF6B25TC61Y	LM13723	72	SPF4S0.33T61	LM24930	43
SF4B75TC65Y	LM20041	216	SF6B25TC65Y	LM14563	215	SPF4S0.5T61	LM24932	43
SF4B75T61Y	LM32672	50	SF6B300T64PYRBT1	LM17744	242	SPN4S0.25TZNY1S6001TP1-1	LM24488	184
SF4P1.5T62	LM33083	222	SF6B30T61Y	LM13697	48	SRA2S1TZ1C6027L10MB-6TP2-1	LM24786	185
SF4P100T61YQ40	LM21227	83	SF6B30T65Y	LM14412	211	SRA4S0.5TZR1S6027TP2-1	LM24809	185
SF4P100T62	LM02444	223	SF6B30TC61Y	LM13724	73	SRA4S1TZ1B6027TP2-1	LM24777	184
SF4P100T65Y	LM18292	212	SF6B30TC65Y	LM14566	215	SRD2S0.33T61	LM24867	33
SF4P100TC65Y	LM19606	216	SF6B40T61Y	LM13918	49	SRD2S0.33TCN61	LM24909	59
SF4P125T64YQ40	LM21230	83	SF6B40T65Y	LM18368	211	SRD2S0.33TLCN1C6028	LM24688	21
SF4P125T65Y	LM15079	212	SF6B40TC61Y	LM15565	73	SRD2S0.5T61	LM24869	33
SF4P125TC65Y	LM19609	216	SF6B40TC65Y	LM20035	215	SRD2S0.5T65	LM25055	218
SF4P150T64YQ40	LM21233	83	SF6B50T61Y	LM13921	49	SRD2S0.5TC61	LM24879	61
SF4P150T65Y	LM15085	212	SF6B50T65Y	LM18374	211	SRD2S0.5TC65	LM25073	220
SF4P150TC65Y	LM19612	216	SF6B50TC61Y	LM15568	73	SRD2S0.5TCN61	LM24911	59
SF4P200T64YQ40	LM21236	83	SF6B50TC65Y	LM20036	215	SRD2S0.5TLCN1C6028	LM24689	21
SF4P200T65Y	LM15082	212	SF6B60T61Y	LM13938	49	SRD2S0.75T1C6028	LM24674	7
SF4P200TC65Y	LM17685	216	SF6B60T65Y	LM18289	212	SRD2S0.75T61	LM24870	33
SF4P250T64PYRBT1	LM17714	242	SF6B60TC61Y	LM16716	73	SRD2S0.75T65	LM25056	218
SF4P250T64Y	LM13557	51	SF6B60TC65Y	LM20039	216	SRD2S0.75TC61	LM24882	61
SF4P250T64Y	LM16223	51	SF6B75T61Y	LM13941	50	SRD2S0.75TC65	LM25075	220
SF4P250T64YQ40	LM21238	83	SF6B75T65Y	LM18293	212	SRD2S0.75TCN61	LM24914	59
SF4P250T65Y	LM15092	213	SF6B75TC61Y	LM16717	73	SRD2S0.75TLCN1C6028	LM24690	21
SF4P250TC64Y	LM13583	74	SF6B75TC65Y	LM20042	216	SRD2S1.5T1B6028	LM24524	8
SF4P250TC65Y	LM19617	216	SF6P100T64YQ40	LM21228	83	SRD2S1.5T65	LM25060	218
SF4P250TS64Y	LM14751	51	SF6P100T65Y	LM15080	212	SRD2S1.5TC61	LM24887	61
SF4P300T64PYRBT1	LM17716	242	SF6P100TC65Y	LM19607	216	SRD2S1.5TC65	LM25079	220
SF4P300T64Y	LM13560	52	SF6P125T64YQ40	LM21231	83	SRD2S1.5TCN61	LM24919	59
SF4P300T64Y	LM17953	52	SF6P125T65Y	LM15086	212	SRD2S1.5TLCN1B6028	LM24523	22
SF4P300T64YQ40	LM21239	83	SF6P125TC65Y	LM19610	216	SRD2S1T1B6028	LM24525	8



Leeson Model Number Index

Motors, Sub-FHP Gearmotors, Drives and Accessories

DC Motors

Gearmotors

Ac / DC Controls

Accessories / Kits

Motors / Factory Options

X-Ref / Index

Tech Information

Terms / Warnings

Other Products

Model Number	Catalog Number	Page #	Model Number	Catalog Number	Page #	Model Number	Catalog Number	Page #
SRD2S1T61	LM24155	33	SRD6S0.75TLCN1C6028	LM24691	21	SRF2S1T1C6028TP1	LM24745	16
SRD2S1T65	LM25058	218	SRD6S1T61	LM24872	33	SRF2S1T61	LM24094	44
SRD2S1TC61	LM24884	61	SRD6S1TC61	LM24885	61	SRF2S1T61Q40	LM22658	82
SRD2S1TC65	LM25077	220	SRDA50.33TC61	LM24277	61	SRF2S1T62	LM02703	222
SRD2S1TCN61	LM24916	59	SRDA50.5TLCN1C6028	LM24555	21	SRF2S1T65	LM25096	209
SRD2S1TLCN1B6028	LM24526	21	SREW2S0.5T61	LM21031	139	SRF2S1TC6028	LM24708	16
SRD2S2T1B6028	LM24624	8	SREW2S0.5TC61	LM21032	140	SRF2S1TC61	LM24126	69
SRD2S2T61	LM24877	34	SREW2S0.5TCN61	LM21033	141	SRF2S1TC61Q40	LM22659	84
SRD2S2T65	LM25062	218	SREW2S0.75T61	LM21034	139	SRF2S1TC65	LM25045	214
SRD2S2TC61	LM24891	61	SREW2S0.75TC61	LM21035	140	SRF2S1TCN61	LM24139	66
SRD2S2TC65	LM25081	220	SREW2S0.75TCN61	LM21036	141	SRF2S1TLC1C6028	LM24727	26
SRD2S2TCN61	LM24921	60	SREW2S1.5T61	LM21040	139	SRF2S1TLCN1C6028	LM24740	25
SRD2S2TLCN1B6028	LM24527	22	SREW2S1.5TC61	LM21041	140	SRF2S2T1B6028TP1	LM24534	17
SRD2S3T161	LM24878	34	SREW2S1.5TCN61	LM21042	141	SRF2S2T61	LM24347	45
SRD2S3T65	LM25064	218	SREW2S1T61	LM21037	139	SRF2S2T61Q40	LM22666	82
SRD2S3TC61	LM24894	62	SREW2S1TC61	LM21038	140	SRF2S2T65	LM25100	209
SRD2S3TC65	LM25083	220	SREW2S1TCN61	LM21039	141	SRF2S2TC61	LM24121	70
SRD2S3TCN61	LM24923	60	SREW2S2T61	LM21043	139	SRF2S2TC61Q40	LM22667	84
SRD3S0.75T62	LM24163	221	SREW2S2TC61	LM21044	140	SRF2S2TC65	LM25049	214
SRDA4S0.25TLCN1C6028	LM24569	21	SREW2S2TCN61	LM21045	141	SRF2S2TCN61	LM24132	66
SRDA4S0.33T1C6028TP1	LM24550	7	SREW4S0.5T61	LM20655	139	SRF2S2TLC1B6028	LM24729	27
SRDA4S0.33T1C6028TP2	LM24549	7	SREW4S0.5TC61	LM20656	140	SRF2S2TLCNB6038	LM24530	25
SRDA4S0.33T61	LM24152	33	SREW4S0.5TCN61	LM20657	141	SRF2S3T61	LM24935	45
SRDA4S0.33T65	LM25054	218	SREW4S0.75T61	LM20658	139	SRF2S3TC61	LM24953	71
SRDA4S0.33TC65	LM25072	220	SREW4S0.75TC61	LM20659	140	SRF2S3TCN61	LM24975	67
SRDA4S0.33TCN61	LM24910	59	SREW4S0.75TCN61	LM20660	141	SRF2S1B6028	LM24533	17
SRDA4S0.33TLC6028	LM24570	7	SREW4S1.5T61	LM21062	139	SRF2S1B6028	LM24712	17
SRDA4S0.33TLCN1C6028	LM24571	21	SREW4S1.5TC61	LM20663	140	SRF2S1T62	LM02715	222
SRDA4S0.5T1C6028	LM24551	7	SREW4S1.5TCN61	LM20664	141	SRF3S0.33T1C6028TP1	LM24602	15
SRDA4S0.5T1C6028TP1	LM24553	7	SREW4S1T61	LM21061	139	SRF3S1.5T1B6028TP1	LM24515	16
SRDA4S0.5T1C6028TP2	LM24552	7	SREW4S1TC61	LM20661	140	SRF3S1.5T1B6028TP2	LM24514	16
SRDA4S0.5T61	LM24098	33	SREW4S1TCN61	LM20662	141	SRF3S1TCN61	LM24080	66
SRDA4S0.5T62	LM24156	221	SREW4S2T61	LM21063	139	SRF4S2TC61	LM24081	70
SRDA4S0.5T65	LM24161	218	SREW4S2TC61	LM20665	140	SRF4H0.75T61	LM25142	105
SRDA4S0.5TC61	LM24880	61	SREW4S2TCN61	LM20666	141	SRF4H1.5T61	LM25147	105
SRDA4S0.5TC65	LM25074	220	SREW6S0.5T61	LM25419	139	SRF4H1.5TC61	LM25143	106
SRDA4S0.5TCN61	LM24912	59	SREW6S0.75T61	LM22163	139	SRF4H1.5TCN61	LM25140	106
SRDA4S0.5TLC1C6028	LM24697	23	SREW6S1T61	LM25420	139	SRF4H1T61	LM25113	105
SRDA4S0.75T1B6028TP1	LM24504	7	SRF2H1.5T61	LM25160	105	SRF4H1TC61	LM25117	106
SRDA4S0.75T1B6028TP2	LM24503	7	SRF2H1.5TC61	LM25163	106	SRF4H1TCN61	LM24271	106
SRDA4S0.75T61	LM24099	33	SRF2H1.5TCN61	LM25120	106	SRF4H2T61	LM25159	105
SRDA4S0.75T65	LM25057	218	SRF2H2T61	LM25161	105	SRF4H2TC61	LM25156	106
SRDA4S0.75TC61	LM24267	61	SRF2H2TC61	LM25145	106	SRF4H2TCN61	LM25132	106
SRDA4S0.75TC65	LM25076	220	SRF2H2TCN61	LM25165	106	SRF4S.5T65	LM24154	209
SRDA4S0.75TCN61	LM24915	59	SRF2H3T61	LM25152	105	SRF4S0.25T1C6028	LM24606	15
SRDA4S0.75TLC1B6028	LM24699	23	SRF2H3TC61	LM25146	106	SRF4S0.25TC61	LM24946	69
SRDA4S0.75TLCN1B6028	LM24505	21	SRF2H3TCN61	LM25157	106	SRF4S0.25TCN61	LM24964	65
SRDA4S1.5T1C6028	LM24583	8	SRF2S0.33T1C6028	LM24705	15	SRF4S0.25TLC6028	LM24723	26
SRDA4S1.5T1C6028TP1	LM24585	8	SRF2S0.33TLC1C6028	LM24724	26	SRF4S0.33T1C6028	LM24597	15
SRDA4S1.5T1C6028TP1	LM24685	8	SRF2S0.5T1C61	LM24129	69	SRF4S0.33T1C6028AP7TP1	LM24789	171
SRDA4S1.5T61	LM24117	34	SRF2S0.5T1C6028	LM24706	15	SRF4S0.33T1C6028TP2	LM24601	15
SRDA4S1.5T65	LM25061	218	SRF2S0.5T1C6028TP1	LM24604	15	SRF4S0.33T61	LM24107	43
SRDA4S1.5TC61	LM24889	61	SRF2S0.5T1C6028TP1	LM24743	15	SRF4S0.33T61Q40	LM22644	82
SRDA4S1.5TC61	LM32765	61	SRF2S0.5T61	LM24165	43	SRF4S0.33T62	LM02676	222
SRDA4S1.5TC65	LM25080	220	SRF2S0.5T61Q40	LM22646	82	SRF4S0.33T65	LM25093	209
SRDA4S1.5TCN61	LM24160	59	SRF2S0.5T65	LM25094	209	SRF4S0.33TC61	LM24114	69
SRDA4S1.5TLC1C6028	LM24701	23	SRF2S0.5TC61Q40	LM22647	84	SRF4S0.33TC61Q20	LM10336	77
SRDA4S1.5TLCN1C6028	LM24587	22	SRF2S0.5TC65	LM25043	214	SRF4S0.33TC61Q40	LM22645	84
SRDA4S1T1C6028TP1	LM24582	8	SRF2S0.5TCN61	LM24138	65	SRF4S0.33TC65	LM25042	214
SRDA4S1T61	LM24111	33	SRF2S0.5TLC1C6028	LM24725	26	SRF4S0.33TCN61	LM24093	65
SRDA4S1T65	LM25059	218	SRF2S0.5TLCN1C6028	LM24736	24	SRF4S0.33TLC1C6028	LM24600	26
SRDA4S1TC6028TP2	LM24581	8	SRF2S0.75T1C6028	LM24707	16	SRF4S0.33TLCN1C6028	LM24598	24
SRDA4S1TC61	LM24346	61	SRF2S0.75T1C6028TP1	LM24744	16	SRF4S0.5T1C6028	LM24627	15
SRDA4S1TC65	LM25078	220	SRF2S0.75T61Q40	LM22652	82	SRF4S0.5T1C6028AP7TP1	LM24790	171
SRDA4S1TCN61	LM24917	59	SRF2S0.75T62	LM02694	222	SRF4S0.5T1C6038TP1	LM24603	15
SRDA4S1TLC1C6028	LM24700	23	SRF2S0.75T65	LM24110	209	SRF4S0.5T61	LM24073	43
SRDA4S1TLCN1C6028	LM24586	21	SRF2S0.75TC61	LM24134	69	SRF4S0.5T61Q40	LM22648	82
SRDA4S2T61	LM24106	34	SRF2S0.75TC61Q40	LM22653	84	SRF4S0.5T62	LM02682	222
SRDA4S2T65	LM25063	218	SRF2S0.75TC65	LM25044	214	SRF4S0.5TC61	LM24074	69
SRDA4S2TC61	LM24345	61	SRF2S0.75TCN61	LM24151	65	SRF4S0.5TC61Q20	LM24264	77
SRDA4S2TC65	LM25082	220	SRF2S0.75TLC1C6028	LM24615	26	SRF4S0.5TC61Q40	LM22649	84
SRDA4S2TCN61	LM24131	60	SRF2S0.75TLC1C6028	LM24726	26	SRF4S0.5TC65	LM24355	214
SRDA4S2TLCN1B6028	LM24507	22	SRF2S0.75TLCN1C5028	LM24738	24	SRF4S0.5TCN61	LM24083	65
SRDA4S1TIC6028TP1	LM24580	8	SRF2S1.51B6028TP1	LM24532	16	SRF4S0.5TLC6028	LM24628	26
SRD6S0.33T1C6028TP2	LM24540	7	SRF2S1.51B6028	LM24531	16	SRF4S0.5TLCN1C6028	LM24599	24
SRD6S0.33T61	LM24868	33	SRF2S1.5T61	LM24144	44	SRF4S0.75T1C6028	LM24607	16
SRD6S0.5LNCN1C6028	LM24544	21	SRF2S1.5T61Q40	LM22662	82	SRF4S0.75T1C6028AP7TP1	LM24791	171
SRD6S0.5T1C6028	LM24542	7	SRF2S1.5T65	LM25098	209	SRF4S0.75T1C6028TP1	LM24609	16
SRD6S0.5T61	LM24146	33	SRF2S1.5TC61	LM24135	70	SRF4S0.75T1C6028TP2	LM24608	16
SRD6S0.5T62	LM25599	221	SRF2S1.5TC61Q40	LM22663	84	SRF4S0.75T61	LM24075	43
SRD6S0.5TC61	LM24881	61	SRF2S1.5TC65	LM25047	214	SRF4S0.75T61Q40	LM22654	82
SRD6S0.5TCN61	LM24913	59	SRF2S1.5TCN61	LM24096	66	SRF4S0.75T62	LM02691	222
SRD6S0.75T1C6028	LM24543	7	SRF2S1.5TLC1B6028	LM24539	26	SRF4S0.75T65	LM25095	209
SRD6S0.75T61	LM24162	33	SRF2S1.5TLC1B6028	LM24728	26	SRF4S0.75TC61	LM24076	69
SRD6S0.75TC61	LM24883	61	SRF2S1.5TLCN1B6028	LM24535	25	SRF4S0.75TC61Q20	LM10339	77



Leeson Model Number Index

Motors, Sub-FHP Gearmotors, Drives and Accessories

Model Number	Catalog Number	Page #	Model Number	Catalog Number	Page #	Model Number	Catalog Number	Page #
SRF4S0.75TC61Q40	LM22655	84	SRN2S0.33TLCN1C6028	LM24734	24	SSD2P25T61AP5	LM80104	124
SRF4S0.75TC65	LM24354	214	SRN4H0.25T61	LM25123	105	SSD2P25T62	LM33066	221
SRF4S0.75TCN61	LM24077	65	SRN4H0.25TC61	LM25131	106	SSD2P25T62AP5	LM80103	124
SRF4S0.75TLCN1C6028	LM24613	24	SRN4H0.25TCN61	LM25136	106	SSD2P2T65	LM25067	218
SRF4S0.75TZADN1C6028TP1-1	LM24812	180	SRN4H0.33T61	LM25115	105	SSD2P3T65	LM25068	218
SRF4S1.5T1B6028	LM24710	16	SRN4H0.33TC61	LM25149	106	SSD2P3TCN61	LM32793	60
SRF4S1.5T1B6028AP7TP1	LM24794	171	SRN4H0.33TCN61	LM25128	106	SSD2P5T65	LM25069	218
SRF4S1.5T61	LM24118	44	SRN4H0.5T61	LM24258	105	SSD2P7.5T62	LM33064	221
SRF4S1.5T61Q40	LM22664	82	SRN4H0.5TC61	LM25114	106	SSD2P7.5T65	LM25071	218
SRF4S1.5T62	LM02706	222	SRN4H0.5TCN61	LM24259	106	SSD2S1.5T1C6028	LM24676	8
SRF4S1.5T65	LM25099	209	SRN4H0.75T61	LM24266	105	SSD2S2T1B6038	LM24806	8
SRF4S1.5TC61	LM24095	70	SRN4H0.75TC61	LM25121	106	SSD2S2TLCN1B6028	LM24693	22
SRF4S1.5TC61Q40	LM22665	84	SRN4H0.75TCN61	LM24262	106	SSD2S3-	LM24778	177
SRF4S1.5TC65	LM25048	214	SRN4S0.25TLCN1C6028	LM24733	24	4.5TZ1B66QS10-1		
SRF4S1.5TCN61	LM24112	66	SRN4S0.33TC61Q15	LM10346	80	SSD2S7-10TZ-	LM24780	177
SRF4S1.5TLCN1B6028	LM24622	25	SRN4S0.5TC61Q15	LM10347	80	1B66QS11-1		
SRF4S1.5TZ1B6028AP9-2	LM24521	178	SRN4S0.5TZ1B6027TP2-1	LM24776	184	SSD2S7-	LM24784	177
SRF4S1.5TZADN1C6028TP1-1	LM24814	180	SRN4S0.75TC61Q15	LM10349	80	10TZ6029QS12-1		
SRF4S1T1C6028AP7TP1	LM24792	171	SRN4S1TC61Q15	LM10350	80	SSD2S7-9S1C-	LM24781	177
SRF4S1T1C6028TP1	LM24612	16	SRN6H0.25T61	LM25127	105	66QS11-1		
SRF4S1T1C6028TP2	LM24611	16	SRN6H0.25TC61	LM25135	106	SSD4B1.5T61	LM24875	34
SRF4S1T61	LM24078	44	SRN6H0.25TCN61	LM25138	106	SSD4B10T6	LM24193	35
SRF4S1T61Q40	LM22660	82	SRN6H0.33T61	LM25116	105	SSD4B10TC61	LM32649	62
SRF4S1T62	LM02700	222	SRN6H0.33TC61	LM25164	106	SSD4B15/20T61YEH2	LM32661	245
SRF4S1T65	LM25097	209	SRN6H0.33TCN61	LM25155	106	SSD4B1T61	LM24871	33
SRF4S1TC61	LM24079	69	SRN6H0.5T61	LM24268	105	SSD4B1TC61	LM32762	61
SRF4S1TC61Q20	LM10340	77	SRN6H0.5TC61	LM25134	106	SSD4B20/25T61YEH2	LM33044	245
SRF4S1TC61Q40	LM22661	84	SRN6H0.5TCN61	LM25122	106	SSD4B20T61	LM32746	35
SRF4S1TC65	LM25046	214	SRN6S0.5TC61Q15	LM10348	80	SSD4B20TC61	LM32783	62
SRF4S1TLC6028	LM24616	26	SS145A2S3TZ-	LM24788	185	SSD4B2T6	LM24169	34
SRF4S1TLCN1C6028	LM24614	25	1B66L10MB6TP2-1			SSD4B2TC61	LM32768	61
SRF4S1TZADN1C6028TP-1	LM24813	180	SS145F2S3T1B6028TP1	LM24748	17	SSD4B3T61	LM24222	34
SRF4S2T61	LM24097	45	SS145F2S3TL-	LM29441	27	SSD4B3TC61	LM32771	62
SRF4S2T62	LM02712	222	C1B6008TP1			SSD4B7.5C61	LM32666	62
SRF4S2T65	LM25101	209	SS145F2S3TLCN1B6008	LM24742	25	SSD4B7.5T61	LM24194	35
SRF4S2TC65	LM25050	214	SS14F2S3T1B6008	LM24714	17	SSD4BT61	LM24169	34
SRF4S2TCN61	LM24084	66	SS15D4S7.5T1B6008	LM24683	9	SSD4BT61	LM24202	35
SRF4SITC6028	LM24610	16	SS182D4S2T1C6028	LM24678	11	SSD4BTC61	LM32774	62
SRF60.75TLCN1B6028	LM24739	24	SS182F4S2T-	LM24796	171	SSD4G10/15T6006YEH2	LM28867	243
SRF6H0.75T61	LM25148	105	1C6027AP7TP1			SSD4G10/15T6006YEH2	LM28867	243
SRF6H0.75TC61	LM25141	106	SS182F-	LM24800	173	SSD4G15/20T6006YEH2	LM28873	243
SRF6H0.75TCN61	LM25137	106	4S2TZ1C6027AP8TP-1			SSD4G15/20T61YEH2	LM28874	243
SRF6H1T61	LM25130	105	SS184D2S5-	LM24783	177	SSD4G20/25T6006YEH2	LM28879	243
SRF6H1TC61	LM25150	106	7TZ6029QS12-1			SSD4G20/25T61YEH2	LM28880	243
SRF6H1TCN61	LM25118	106	SS184D2S5T1C6008	LM24681	9	SSD4P1.5T61Q40	LM21151	85
SRF6P1T62	LM33079	222	SS184D4S3T1C6028	LM24680	9	SSD4P1.5T65	LM25066	218
SRF6S0.25T1C6028	LM24545	15	SS184D4S3TLCN1C6028	LM24695	22	SSD4P1.5TC65	LM25085	220
SRF6S0.33T1C6028	LM24546	15	SS184F4S3T1C6028	LM24716	17	SSD4P1.5TCN61	LM32791	59
SRF6S0.33T61	LM24931	43	SS184F4S3T1C66AP7TP1	LM24797	171	SSD4P10/15T65YEH2	LM28869	243
SRF6S0.33TC61	LM24948	69	SS184F4S3T1C66AP8TP1	LM24801	173	SSD4P10T4006E1T	LM28123	246
SRF6S0.33TCN61	LM24858	65	SS18D2S5-7TZ1C66QS11-1	LM24779	177	SSD4P10T61Q40	LM21165	85
SRF6S0.33TLCN1C6028	LM24735	24	SS18F4S2T1B028	LM24713	17	SSD4P10T62	LM32681	221
SRF6S0.5T1B6028	LM24496	15	SS213F4S5TZ-	LM24803	173	SSD4P10T65	LM24231	218
SRF6S0.5T61	LM24105	43	B66AP8TP1-1			SSD4P10TC65	LM25090	220
SRF6S0.5T61Q40	LM22650	82	SS215D2S10-15TZ1C-	LM24782	177	SSD4P10TCN61	LM32801	60
SRF6S0.5T62	LM02679	222	66QS11-1			SSD4P15/20T65YEH2	LM28875	243
SRF6S0.5T65	LM24295	209	SS215D2S10-	LM24785	177	SSD4P15T61Q40	LM21168	85
SRF6S0.5TC61	LM24104	69	15TZ6029QS12-1			SSD4P15T62	LM26334	221
SRF6S0.5TC61Q20	LM10338	77	SS215D4S7.5T1B600	LM24683	9	SSD4P15T65	LM24219	218
SRF6S0.5TC61Q40	LM22651	84	SS215F4S7.5T1B6008	LM24720	17	SSD4P15TC65	LM25091	220
SRF6S0.5TCN61	LM24128	65	SS215F4S7.5T1B66AP7TP1	LM24799	171	SSD4P1T61Q40	LM21148	85
SRF6S0.5TLCN1B6028	LM24737	24	SS215F4S7.5TZ1B66AP8TP1-1	LM24804	173	SSD4P1T65	LM24170	218
SRF6S0.75T1B6028	LM24497	16	SS4P1T62	LM33078	222	SSD4P1TC65	LM25084	220
SRF6S0.75T61	LM24136	43	SSA2S1.5TZ1C6027L10MB6TP2-1	LM24787	185	SSD4P1TCN61	LM32790	59
SRF6S0.75T61Q40	LM22656	82	SSD2B1.5T61	LM32727	34	SSD4P20/25T65YEH2	LM28881	243
SRF6S0.75T62	LM02688	222	SSD2B1.5TC61	LM32764	61	SSD4P20T61Q40	LM21171	85
SRF6S0.75TC61	LM24140	69	SSD2B10T61	LM32740	35	SSD4P20T62	LM32675	221
SRF6S0.75TC61Q40	LM22657	84	SSD2B10TC61	LM32778	62	SSD4P20T65	LM24232	218
SRF6S0.75TCN61	LM24153	65	SSD2B15T61	LM32743	35	SSD4P20TC65	LM25092	220
SRF6S1T61	LM24159	44	SSD2B2TC61	LM32767	61	SSD4P2T61Q40	LM21153	85
SRF6S1T62	LM02697	222	SSD2B3T61	LM32731	34	SSD4P2T62	LM33057	221
SRF6S1TC61	LM24349	69	SSD2B3TC61	LM32770	62	SSD4P2T65	LM24124	218
SRF6S1TCN61	LM24130	66	SSD2B5T61	LM32734	35	SSD4P2TC65	LM25086	220
SRN2H0.33T61	LM25124	105	SSD2B5TC61	LM32773	62	SSD4P2TCN61	LM32792	60
SRN2H0.33TC61	LM25153	106	SSD2B7.5T61	LM32737	35	SSD4P3T61Q40	LM21157	85
SRN2H0.33TCN61	LM25158	106	SSD2BT61	LM33137	34	SSD4P3T62	LM33059	221
SRN2H0.5T61	LM25126	105	SSD2P1.5T65	LM25065	218	SSD4P3T65	LM24227	218
SRN2H0.5TC61	LM25151	106	SSD2P10/15T6006YEH2	LM30091	243	SSD4P3TC65	LM25087	220
SRN2H0.5TCN61	LM25144	106	SSD2P10/15T61YEH2	LM30092	243	SSD4P3TCN61	LM32794	60
SRN2H0.75T61	LM25133	105	SSD2P15/20T6006YEH2	LM30093	243	SSD4P5T6006YEH1	LM28918	244
SRN2H0.75TC61	LM25119	106	SSD2P15/20T61YEH2	LM30094	243	SSD4P5T61Q40	LM21159	85
SRN2H0.75TCN61	LM25139	106	SSD2P20/25T6006YEH2	LM30095	243	SSD4P5T61YEH1	LM28919	244
SRN2H1T61	LM25129	105	SSD2P20/25T61YEH2	LM30096	243	SSD4P5T62	LM33062	221
SRN2H1TC61	LM25125	106	SSD2P20T62	LM33065	221	SSD4P5T65	LM25070	218
SRN2H1TCN61	LM25112	106	SSD2P25/30T6006YEH2	LM30097	243	SSD4P5T65YEH1	LM28920	244
			SSD2P25/30T61YEH2	LM30098	243	SSD4P5TC65	LM25088	220



Leeson Model Number Index

Motors, Sub-FHP Gearmotors, Drives and Accessories

- DC Motors
- Gearmotors
- Ac / DC Controls
- Accessories / Kits
- Mods / Factory Options
- X-Ref / Index
- Tech Information
- Terms / Warnings
- Other Products

Model Number	Catalog Number	Page #	Model Number	Catalog Number	Page #	Model Number	Catalog Number	Page #
SSD4P5TCN61	LM24234	60	SSF2B1.5T61	LM33122	44	SSF6S0.75TC61	LM24273	69
SSD4P7.5T61Q40	LM21162	85	SSF2B1.5TC61	LM32824	70	SSF6S0.75TCN61	LM24966	65
SSD4P7.5T65	LM33247	218	SSF2B10T61	LM32808	47	SSF6S1.5TCN61	LM32847	66
SSD4P7.5TC65	LM25089	220	SSF2B10TC1	LM32840	72	SSF8S0.5T61	LM24291	43
SSD4P7.5TCN61	LM32800	60	SSF2B2TC61	LM32828	70	SSF8S0.5TC61	LM24949	69
SSD4PT62	LM33056	221	SSF2B3T61	LM33262	45	SSF8S0.5TCN61	LM24965	65
SSD4S1.5TC6028	LM24687	8	SSF2B5TC61	LM33263	46	SSF8S0.75T61	LM24276	43
SSD4S10/15T61YEH2	LM28868	243	SSF2B7.5T61	LM32804	46	SSF8S0.75TC61	LM24265	69
SSD4S10T1B6008	LM24684	9	SSF2B7.5TC61	LM32837	71	SSF8S0.75TCN61	LM24967	65
SSD4S10T6006EH1	LM28924	244	SSF2BT61	LM33124	45	SSN4S1.5TC61Q10	LM26233	77
SSD4S10T61EH1	LM28925	244	SSF2P1.5T62	LM33081	222	SSN4S1.5TC61Q15	LM26278	80
SSD4S10T65YEH1	LM28926	244	SSF2P1.5T65	LM25102	209	SSN4S1TC61Q10	LM26359	77
SSD4S11TC6028	LM24675	8	SSF2P1.5TC65	LM25052	214	SSN4S1TC61Q15	LM26109	80
SSD4S1TLCN1C6028	LM24692	21	SSF2P1.5TCN61	LM32810	66	SSSEW4S1.5TCN61	LM20672	141
SSD4S2T1B6028	LM24677	8	SSF2P10TCN61	LM32854	67	T254T17XC1	G825196.00	101
SSD4S2TLC1B6028	LM24698	23	SSF2P15TCN61	LM32832	68	U145K17DB1	120001.00	8
SSD4S2TLCN1B6028	LM24694	22	SSF2P2T65	LM25103	209	U145T34XB26	121918.00	101
SSD4S5T1B6008	LM24682	9	SSF2P2TC65	LM25053	214	U182C17DB9	131535.00	8
SSD4S5TLCN1B6008	LM24696	22	SSF2P2TCN61	LM32678	66	U182T17DB61	132234.00	41
SSD4S7.5T6006EH1	LM28921	244	SSF2P7.5TCN61	LM32852	67	U184C17DB20	131530.00	9
SSD4S7.5T61EH1	LM28922	244	SSF2S10T1B6008	LM24721	17	U184T17DB82	132235.00	41
SSD4S7.5T65YEH1	LM28923	244	SSF2S2T1B6028TP1	LM24747	17	U6C34DC18	110288.00	113
SSD6B1.5TC61	LM32766	61	SSF2S3T1B6028	LM24715	17	U6C34DC19	110289.00	113
SSD6B1TC61	LM32763	61	SSF2S3TCN61	LM32848	67	U6C34DC21	110292.00	113
SSD6B2TC61	LM32769	61	SSF2S5T1B6008	LM24717	17	U6C34DC22	110293.00	113
SSD6B3T61	LM32733	34	SSF2STLC1B6028	LM24730	27	U6C34DC51	113335.00	22
SSD6B3TC61	LM32772	62	SSF4B1.5T61	LM33123	44	U6C34DR21	113633.00	13
SSD6B5T61	LM32735	35	SSF4B1.5TC51	LM32825	70	U6C34DR21	113633.00	13
SSD6B5TC61	LM32775	62	SSF4B10T6	LM32809	47	U6C34FC34	113641.00	114
SSD6B7.5T61	LM32738	35	SSF4B10TC61	LM32809	47	U6C34FK55	113959.00	114
SSD6B7.5TC61	LM32777	62	SSF4B10TC61	LM32841	72	U6K17FB1	110019.00	16
SSD6P10T61ET1	LM28120	246	SSF4B1T61	LM32796	44	U6K34DC19	117715.00	113
SSD6P10T61Q40	LM21170	85	SSF4B1TC61	LM32822	69	U6K34DC20	117716.00	113
SSD6P10TCN61ET1	LM28204	248	SSF4B2T61	LM33125	45	U6T34DR33	113926.00	40
SSD8P1.5T61	LM32728	34	SSF4B2TC61	LM32829	70			
SSD8P2T61	LM32730	34	SSF4B3T61	LM32741	45			
SSD8P3T61	LM32688	34	SSF4B7.5T61	LM32805	46			
SSD8P5T61	LM32736	35	SSF4B7.5TC61	LM32838	71			
SSD8PIT61	LM33126	33	SSF4BT61	LM33266	46			
SSDB1T61	LM32726	33	SSF4P1.5T61Q40	LM26098	82			
SSDB7.5TC61	LM32776	62	SSF4P1.5T65	LM24142	209			
SSEW2S1.5T61	LM21046	139	SSF4P1.5TC61Q40	LM26008	84			
SSEW2S1.5TC61	LM21047	140	SSF4P1.5TC65	LM24158	214			
SSEW2S1.5TCN61	LM21048	141	SSF4P1.5TCN61	LM24149	66			
SSEW2S10T61	LM22426	139	SSF4P10TCN61	LM32855	67			
SSEW2S10TC61	LM22427	140	SSF4P1T61Q40	LM26097	82			
SSEW2S10TCN61	LM22428	141	SSF4P1T65	LM24109	209			
SSEW2S2T61	LM21049	139	SSF4P1TC61Q40	LM26081	84			
SSEW2S2TC61	LM21050	140	SSF4P1TC65	LM25051	214			
SSEW2S2TCN61	LM21051	141	SSF4P1TCN61	LM24148	66			
SSEW2S3T61	LM21052	139	SSF4P2T61Q40	LM25991	82			
SSEW2S3TC61	LM21053	140	SSF4P2T62	LM33084	222			
SSEW2S3TCN61	LM21054	141	SSF4P2TC61Q40	LM25962	84			
SSEW2S5T61	LM21055	139	SSF4P2TC65	LM24137	214			
SSEW2S5TC61	LM21056	140	SSF4P2TCN61	LM24125	66			
SSEW2S5TCN61	LM21057	141	SSF4P3TCN61	LM33337	67			
SSEW2S7.5T61	LM22423	139	SSF4P7.5TCN61	LM32853	67			
SSEW2S7.5TC61	LM22424	140	SSF4PT65	LM24108	209			
SSEW2S7.5TCN61	LM22425	141	SSF4S1.5T1B6028	LM24513	16			
SSEW4S1.5T61	LM20670	139	SSF4S1.5T1B6028	LM24711	16			
SSEW4S1.5TC61	LM20671	140	SSF4S1.5T1B6028AP7TP1	LM24795	171			
SSEW4S10T61	LM22438	139	SSF4S1.5T1B6028TP1	LM24746	16			
SSEW4S10TC61	LM22439	140	SSF4S10T1B66	LM24722	17			
SSEW4S10TCN61	LM22440	141	SSF4S10T1B66AP8TP1	LM24805	173			
SSEW4S1T61	LM20667	139	SSF4S1T1C6028	LM24709	16			
SSEW4S1TC61	LM20668	140	SSF4S1T1C6028AP7TP1	LM24793	171			
SSEW4S1TCN61	LM20669	141	SSF4S1TLCN1C6028	LM24741	25			
SSEW4S2T61	LM20673	139	SSF4S2TLC1B6028	LM24731	27			
SSEW4S2TC61	LM20674	140	SSF4S5T1B6008	LM24718	17			
SSEW4S2TCN61	LM20675	141	SSF4S5T1B66AP71TP1	LM24798	171			
SSEW4S3T61	LM20676	139	SSF4S5TB6008AP8TP1	LM24802	173			
SSEW4S3TC61	LM20677	140	SSF6S3TC61	LM16744	71			
SSEW4S3TCN61	LM20678	141	SSF6B1.5TC61	LM32826	70			
SSEW4S5T61	LM20679	139	SSF6B1T61	LM33121	44			
SSEW4S5TC61	LM20680	140	SSF6B1TC61	LM32823	69			
SSEW4S5TCN61	LM20681	141	SSF6B2TC61	LM32830	70			
SSEW4S7.5T61	LM22435	139	SSF6B3TC61	LM32833	71			
SSEW4S7.5TC61	LM22436	140	SSF6B5TC61	LM32835	71			
SSEW4S7.5TCN61	LM22437	141	SSF6BT61	LM32802	46			
SSEW6S1.5T61	LM25421	139	SSF6P1T61Q40	LM26383	82			
SSEW6S1T61	LM24280	139	SSF6P1TC61Q40	LM26323	84			
SSEW6S2T61	LM25422	139	SSF6P1TCN61	LM32846	66			
SSEW6S3T61	LM25423	139	SSF6P3TCN61	LM32850	67			
SSEW6S5T61	LM25424	139	SSF6P5TCN61	LM32851	67			
SSEW6S7.5T61	LM23931	139	SSF6S0.75T61	LM24103	43			



Technical Information

Application Information

AGENCY LISTINGS

UL and CSA

LEESON Electric and Lincoln Motors Fire Pump and Explosion Proof motors are UL Listed. Other motor types are UL Recognized, including models with inherent overheating protection as noted (i.e. thermally protected models). Leeson and Lincoln motors are also CSA Certified for both explosion proof and non-explosion proof enclosures.

AC Motors

Non-Explosion Proof	UL File No.	CSA File No.
NEMA 25-449 Frame	E49747	LR2025
NEMA 500 and 5000 Frame	—	LR2025*
IEC 63-90 Frame	E49747	LR2025
IEC 100-280 Frame	E49747	LR2025*
Thermally Protected motors	E6312	LR2025
Insulation Systems	E37900	LR2025

* Does not include coverage for use with VFD

Domestic product only

Explosion Proof	UL File No.	CSA File No.
NEMA 56-326 Frame	E12044	LR47504
NEMA 364-449 Frame	E12044	LR21839
Fire Pump Motors		
NEMA 143-510	EX5190	LR2025
Class I, Division 2/Zone 2		
NEMA 48-449, 5000 Frame	—	LR21839
European ATEX Zone 2		
NEMA 143-449, IEC 112-280	Intertek Certificate No. ITS06ATEX45370	

PMDC Motors + Gear Motors

Non-Explosion Proof	UL File No.	CSA File No.
NEMA 25-145	E49747	LR2025
AC Inverters	E161242	#
SpeedMaster SCR Controls	E132235	LR41380
FHP Speed Drives	E132235	—

- UL Certified for Canada under UL File E 1.67242

ATEX Directive (ATmospheres EXplosibles)

Mandatory by law, the European Union (EU) Directive 94/9/EC requires that electric motors for use in explosive atmospheres carry the CE mark, notified body identifier, Ex symbol, equipment group and category, plus the date code. See "European Installations" for additional details, located on the next page.

NEMA (National Electrical Manufacturers Ass'n)

LEESON Electric and Lincoln Motors' are manufactured in accordance with all applicable areas of NEMA standards in MG1-2006. When applied in accordance with the "Guidelines for Application of Three Phase Motors on Variable Frequency Drives", **LEESON Electric and Lincoln Motors' are in full compliance with NEMA MG1-2006, Part 31, Section 4.4.2**, as pertaining to voltage spikes. 460 volt motors must withstand voltage spikes of up to 1426 volts; 575 volt motors must withstand spikes up to 1788 volts. See "Insulation Systems" for additional detail on this subject. **Website: www.nema.org**

Commitment to RoHS and WEEE European Directives

European Directive 2002/95/EC "Restriction of Use of Certain

Hazardous Substances" (RoHS) and Directive 2002/96/EC "Directives on Waste Electrical and Electronic Equipment" (WEEE) were enacted to control the amount of certain hazardous substances contained in products shipped into the E.U. Restricted substances include lead, mercury, cadmium, hexavalent chromium, polybrominated biphenyls and polybrominated diphenyl ethers.

The scope of products covered, affecting motors, is:

- Large household appliances
- Small household appliances
- IT and telecommunications equipment
- Consumer equipment
- Electrical and electronic tools (except large scale stationary and industrial tools)
- Toys, leisure and sports equipment
- Automatic dispensers

The Directives do not currently apply to medical devices, monitoring and control instruments, spare parts for the repair or reuse of electrical and electronic equipment placed on the market before July 1, 2006, and most military and state security equipment.

Regal Beloit Corporation worked closely with suppliers to assure that product falling within the scope of these Directives meets the specified levels of these substances. The Directives took affect July 1st, 2006 however many products were converted in May and June. The products converted are motors in NEMA frame size 145 and below, both AC and DC motors with the following exceptions:

- Brakemotors in 56-145 frame **will have to be ordered specifically as RoHS compliant.**
- **Some motors with specialty electro-mechanical components.**

ISO QUALITY CERTIFICATION

Affiliate of The Regal Beloit corporation. We are ISO 9001:2008 and our registrar is NSF-ISR. The certificate number for the corporation is C0026928-IS2.

leeson.com/Technical Information

Continued on next page.



LEESON Electric and Lincoln Motors employ the use of Exxon POLYREX[®] EM grease, a specially formulated bearing grease designed for electric motors. POLYREX[®] EM provides superior lubricity, durability and resists corrosion, rust and washout. POLYREX[®] EM is a registered trademark of Mobil Corporation.

Maximum safe mechanical speed capability is a function of bearing size, type and grease selection, as well as rotor balance specifications. Consult the "Maximum Safe Mechanical Speed Limits" chart in the "Overspeed Capability" section.

Note that these values do not imply maximum constant horsepower RPM.

EFFICIENCY

The efficiency of a motor is the ratio of its useful power output to its total power input and is usually expressed in a percentage. LEESON Electric and Lincoln Motors offers standard, high efficient EPAct, and **NEMA Premium[®]** efficient ratings. Standard efficiency motors may only be used on applications that are exempt from legislated efficiencies. The high efficient motor line is in compliance with the Energy Policy Act of 1992 (EPAct) and/or Canadian efficiencies as set by NRCAN. The Energy Independence and Security Act of 2007 (**EISA07**) will become law on December 19, 2010, requiring current EPAct-compliant motors to meet NEMA Premium[®] efficiencies, and most EPAct-exempt motors to meet EPAct levels. Premium efficient motors in this catalog meet NEMA Premium[®] unless otherwise noted.

The LEESON WattSAVER[®] and Lincoln Ultimate-e[™] line is a premium efficiency line, which exceeds mandated efficiencies of EPAct and/or NRCAN. Unless otherwise noted, premium efficient motors in this catalog meet NEMA Premium[®] the newly promoted efficiency levels by NEMA and the Consortium for Energy Efficiency (CEE).

ELECTRICAL TYPE/STARTING METHOD

Motors in this catalog are capacitor start, split phase, permanent split capacitor, or three phase. Capacitor Start motors have high starting torque, high breakdown torque, and relatively low starting current. Split phase motors have medium starting torque and medium starting current. Permanent split capacitor motors have low starting torque and low starting current. Three phase motors have high starting, extra breakdown torque, and typically very low starting current. Single phase motors cannot be applied on variable frequency drives with three phase output.

ENCLOSURE AND METHOD OF COOLING

LEESON Electric and Lincoln Motors are available in various enclosures; Dripproof (DP), Dripproof Force Ventilated (DPFV), Totally Enclosed Fan Cooled (TEFC), Totally Enclosed Non-Ventilated (TENV), Totally Enclosed (TEAO) and Totally Enclosed Blower Cooled (TEBC). Application conditions will determine the type of motor enclosure required.

Dripproof motors have open enclosures and are suitable for indoor use and in relatively clean atmospheres. Dripproof motors have ventilating openings constructed so that drops of liquid or solid particles falling on the machine at an angle of not greater than 15 degrees from the vertical cannot enter the machine.

Totally enclosed motors are suitable for use in humid environments or dusty, contaminated atmospheres. Totally enclosed non-ventilated motors are NOT cooled by external means. Totally enclosed fan cooled motors are cooled by external means that are part of the motor but not in the internal workings of the motor. Totally enclosed air over motors are sufficiently cooled by external means, provided by the customer.

HAZARDOUS DUTY

Hazardous Duty motors are totally enclosed (fan cooled or non-ventilated) motors designed for applications in hazardous atmospheres containing explosive gases and/or combustible dusts.

North American installations

North American standards for electric motors generally fall into one of two divisions. Division 1 Explosion Proof motors are UL Listed in accordance with NFPA Class I (Flammable Gases) or Class II (Combustible Dusts) and Groups (gases or dusts), depending upon the atmosphere. Division 2 motors are CSA Certified and are marked similarly to Division 1 equipment. Inverter Duty motors through 449T frames are CSA Certified for use in Division 2 locations.

European installations

Motors for hazardous locations in Europe must meet a different set of standards and require different markings than those of North America. CENELEC sets the standards for equipment in hazardous locations for Europe. Motors for use in explosive atmospheres in Europe are often referred to as flameproof (Zone 1) or non-sparking (Zone 2) motors. These motors must comply with the ATEX Directive. The ATEX Directive covers all electrical equipment used in explosive atmospheres. To ensure compliance with the Directive, equipment must meet the essential ATEX requirements and carry the CE mark on the nameplate. Other information required on the nameplate includes the Ex symbol, group & category, Ex protection method, gas group, and temperature code, example (Ex)II 3 G Ex nA IIC T3).

The tables on the next page describe LEESON Electric and Lincoln Motors capabilities by Area Classification and by Temperature Code.

DC Motors

Geomotors

Ac / DC Controls

Accessories / Kits

Motors / Factory Options

X-Ref / Index

Tech Information

Terms / Warnings

Other Products



LEESON Electric and Lincoln Motors Hazardous Duty Motor Area Classification Chart

Class I Area Classification (Flammable Gases, Vapors or Mists)				Class II Area Classification (Combustible Dusts)			
North America		Europe - ATEX [ⓐ] (Category G - Gases)		North America		Europe - ATEX [ⓐ] (Category D - Dusts)	
Division 1 Explosion Proof	Division 2 TEFC & TENV	Zone 1 Flameproof	Zone 2 Non-Sparking	Division 1 Explosion Proof	Division 2	Zone 21 Flameproof	Zone 22 Non-Sparking
Group A [ⓑ]	Group A	N/A	N/A	-	-	-	-
Group B [ⓑ]	Group B	N/A	N/A	-	-	-	-
Group C	Group C	N/A	N/A	-	-	-	-
Group D	Group D	N/A	N/A	-	-	-	-
-	-	N/A	-	Group E [ⓑ]	-	N/A	N/A
-	-	N/A	-	Group F	Group F [ⓑ]	N/A	N/A
-	-	N/A	-	Group G	Group G [ⓑ]	N/A	N/A

- Group is not applicable to that Division or Zone, or is not defined.
- ⓑ Group is not available from LEESON Electric and Lincoln Motors.
- ⓑ Contact factory representative for availability.
- ⓑ Currently not available.

LEESON Electric and Lincoln Motors Hazardous Duty Motor Temperature Code Chart

	TEMPERATURE CODES		Division 1 Explosion Proof / Flameproof		Division 2 / Non-Sparking
	UL/CSA	ATEX	Class I Area Classification (Flammable Gases, Vapors or Mists)	Class II Area Classification* (Combustible Dusts)	Class I Area Classification (Flammable Gases, Vapors or Mists)
Temp.	UL/CSA	ATEX	Division 1/Zone 1	Division 1/Zone 21	Division 2/Zone 2
280°C	T2A	T2(280)	Explosion Proof - Class I, Group D (Group C as noted)		
260°C	T2B	T2(260)			Severe Duty & IEEE-841 @ 1.15 S.F., Class I, Groups A,B,C,D (Sine wave power)
215°C	T2D	T2(215)			
200°C	T3	T3			
165°C	T3B	T3(165)	Explosion Proof - Class I, Group D (Group C as noted), Sine wave or PWM power	Explosion Proof - Class II, Groups F & G, Sine wave or PWM power	
160°C	T3C	T3(160)			
135°C	T4	T4			

* Class II, Division 2 motors are not available from LEESON Electric and Lincoln Motors.

Division I & II ambient range is -25°C to +40°C

VARIABLE SPEED INFORMATION

LEESON Electric and Lincoln Motors Vector-Duty and Inverter Duty motors, unless otherwise stated, are rated for continuous operation in a 40°C ambient and for altitudes up to 3300 feet (1000 meters) above sea level. Special application considerations, such as high or low ambient, intermittent ratings, high altitude, duty cycle rated, extended constant horsepower range, special base speed, voltage or frequency, or any other special requirements, should be reviewed by a factory representative.

It is the responsibility of the startup personnel during commissioning of the VFD/motor system to properly tune the drive to the motor for the specific application. The correct voltage boost and volts/hertz settings are application dependent and unique to each motor design. Procedures for these adjustments should be in your VFD user manual. Many Vector Duty and Inverter Duty motors in this catalog are equipped with thermostats; warranty coverage may be denied if they are not properly utilized.

WARNING *Power factor correction capacitors should never be installed between the drive and the motor.*

INVERTER DUTY OR INVERTER RATED

“Inverter Duty” (often called “Inverter Rated”) motors are suitable for use with Variable Frequency Drives, as long as operation is within the application guidelines published in this catalog. In general, LEESON Electric and Lincoln Motors’ three phase, general purpose, NEMA Design B motors are considered “Inverter Duty”, and meet or exceed the requirements of NEMA MG1, Part 30. As required under Federal law, these motors comply with EISA2007 efficiencies when operating from utility power.

Inverter Duty (Rated) motors are most often used in 10:1 speed range, variable torque or constant torque applications. A vector control is usually required for operation beyond 10:1 CT.

Refer to “Guidelines for Application of General Purpose, Single Speed Three Phase Motors on Variable Frequency Drives” in this section of this catalog for the allowable speed range and cable length restrictions (from VFD to motor). Additional detail regarding a specific product’s capabilities is available on its catalog page, or by consulting your application engineer.

VECTOR DUTY – “Vector Duty” describes a class of motors that are used in conjunction with Open- (without encoder) or Closed-Loop (with encoder) Vector controls, that provide enhanced performance under low speed operating conditions, or in cases where torque (rather than speed) must be controlled. “Vector Duty” motors can be applied to Volts/Hertz (scalar) drives, as well.

LEESON Electric’s Speedmaster® motors and Lincoln Motors’ CTAC Motors, have been specifically designed for optimal operation on vector or volts/hertz controls. These motors feature a wide constant torque (up to 2000:1) and/or constant horsepower (up to 4:1) speed range and are performance-matched to all current technology IGBT drives. Vector

Duty motors meet or exceed the requirements of NEMA MG1, Part 31, and are equipped with an enhanced insulation system (IRIS or Ultimate Spike Defense) to provide many years of trouble-free service. Consult the catalog page for each product’s capabilities and features. As these motors are specifically designed for operation through an inverter, they are exempt from EISA2007.

VARIABLE TORQUE LOADS – Applications include fans, blowers and centrifugal pumps. Torque varies as the square of the speed, and horsepower as the cube of the speed. Operation below base speed significantly lightens the load on the motor. While most variable torque applications do not require the motor to operate below half speed, the motor is fully capable of operation to zero speed. Operation above base speed significantly adds to the load on the motor; therefore, a factory representative must review applications requiring variable torque above base speed. Refer to the application chart found on page 14 for use of general purpose three phase motors on variable frequency drives. A bypass circuit is often employed in Variable Torque applications. If this device is intended to be used, selection of a NEMA Design B motor is recommended, to withstand the inrush current during across-the-line starting.

CONSTANT TORQUE LOADS – Applications include conveyors, elevators, hoists, extruders, positive displacement pumps, mixers and converting equipment. Torque remains constant throughout the range of operation, and extra care should be taken in the proper application of motors, especially at very low speeds. Most constant torque applications don’t require operation below 10:1 (i.e. 6 Hz operation on a 60 Hz motor), but an increasing number of applications historically reserved for servo and/or stepper systems are being served with motors capable of operation beyond 20:1...even up to 2000:1 (zero speed, constant torque). Refer to the application chart found on page 14 for use of general purpose three phase motors on variable frequency drives.

Applications requiring greater than 20:1 C.T. are ideal for LEESON Speedmaster® Inverter Duty/Vector Duty and Lincoln Vector Duty CTAC® motors. These motors provide full rated torque within their listed speed range, without exceeding a Class F temperature rating while under inverter power (many operate at Class B). Ratings in this catalog have been developed, based on extensive testing on IGBT inverters, set at a minimum 3 KHz (or equivalent) carrier frequency.

Vector Duty and Inverter Duty motors from LEESON Electric and Lincoln Motors are designed for operation at 150% of rated load for one minute, up to the base speed of the motor (overload capability declines to 100% as the motor reaches maximum constant HP speed). These motors accommodate constant horsepower operation to 1-1/2 to 2 times base speed, subject to the motor’s maximum safe mechanical speed limit. Refer to the Maximum Safe Mechanical Speed Chart, as well as the performance section for each motor’s capability.

Motors rated for zero RPM continuous duty (1000:1 or 2000:1) must be powered by vector drives to produce rated torque without overheating. Optimum zero speed and low-speed full torque performance may require a closed loop vector drive (with encoder feedback).



Technical Information

Variable Speed Operation

CONSTANT HORSEPOWER LOADS – Applications include coil winders, band saws, grinders, and turret lathes. Operation requires the motor to deliver the same horsepower rating, regardless of shaft speed. Torque increases at low speed and decreases at higher speed. Most general purpose motors can deliver constant horsepower up to 1 1/2 times base speed (consult a factory representative to verify performance). However, many constant HP applications require operation to twice base speed, and some, such as coil winders, up to 4 times base speed.

MOTOR GROUNDING - Frames and accessories of all motors must be grounded in accordance with the National Electric Code (NEC) Article 430. Refer to NEC Article 250 for general information on grounding. Proper grounding of inverter-driven motors is essential to protect personnel and livestock from inverter-sourced common mode voltages, which may reach hazardous levels on the frame of ungrounded or poorly grounded motors.

LOW INPUT VOLTAGE – If, due to lower utility supply voltage, the input voltage from the VFD to the motor is lower than the motor's rated voltage, de-rating of the motor's base frequency, horsepower, full load RPM, and constant HP RPM is required. The revised values can be calculated by multiplying by the ratio of the voltage change. For example, to operate a 460 volt motor from an inverter fed by 50 or 60 HZ, 400 volt utility power, the multiplier is 400/460 or 0.87.

The VFD can be reprogrammed to match the new base point values, allowing the motor to provide rated torque at rated current from the new base speed down to its original minimum Constant torque speed. The motor's CHP range will begin at the new base frequency and will be shortened by the same ratio as described above.

OVERSPEED CAPABILITY – Maximum safe mechanical speed capability is a function of bearing size and type, lubrication, rotor balancing technique and specifications, air gap, enclosure, frame construction and connection to the driven load. In addition, consideration must be given to ambient noise levels, as operation above base speed will increase motor noise and vibration, and reduce bearing life. Under no circumstances should bearing hub temperature exceed 100° C. Belted loads should not exceed 60 Hz operating RPM by more than 25% (NEMA "TS" shafts are not suitable for belted loads). Due to external cooling fans, TEFC (and Explosion Proof Fan Cooled) motors are limited to 4000 RPM maximum speed.

**Maximum Safe Mechanical Speed Limits
(ODP, TENV, DPFV OR TEBC ENCLOSURES)
60 Hz base frequency**

Frame Size	2-Pole	4, 6 or 8-Pole
56-184	7200	5400
213-256	5400	4200
284-286	5400	3600
324-326	4000	3600
364-365	4000	2800
404-449	3600	2800
5000 Fr	N/A	CALL
6800 Fr	N/A	CALL



- DC Motors
- Gearmotors
- AC / DC Controls
- Accessories / Kits
- Mods / Factory Options
- X-Ref / Index
- Tech. Information
- Terms / Warnings
- Other Products

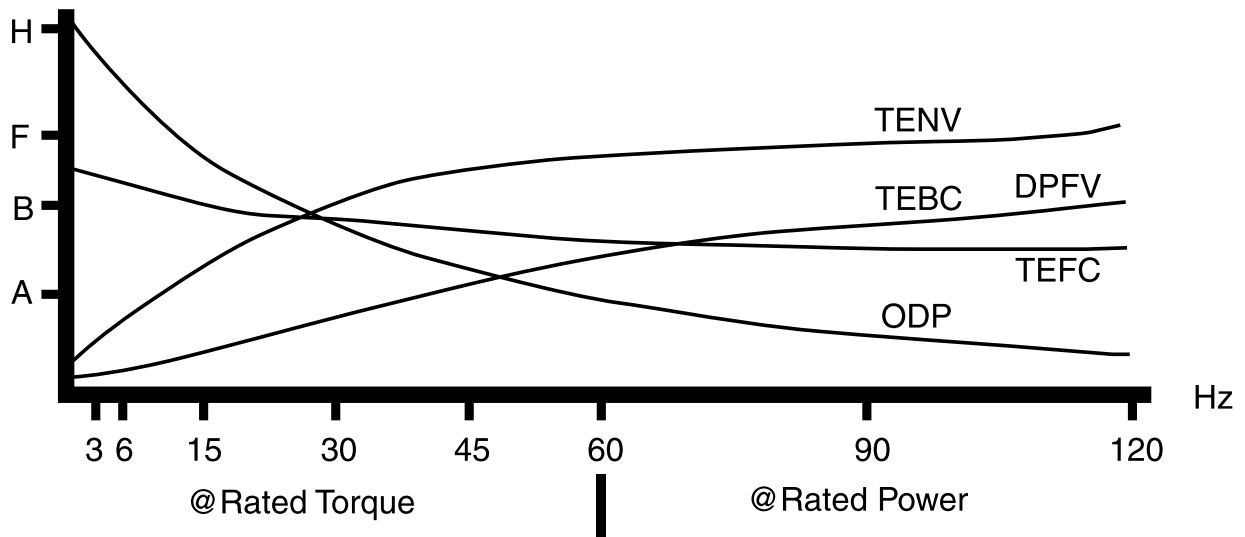
OTHER APPLICATION CONSIDERATIONS –

For proper selection, the following should be considered:

- Horsepower or torque requirements at various speeds.
- Desired speed range of the load and motor.
- Acceleration and deceleration rate requirements of the process being controlled.
- Starting requirements including the frequency of starting and a description of the load (reflected inertia at the motor, load torque during starting).
- Whether the application is a continuous process or duty cycle of starts, stops and speed changes.
- A general description of the type of application including the environment in which the VFD system components must operate (determines motor enclosure and/or explosion proof classification).
- Description of the available electrical power supply and wiring.
- Special performance requirements, if any.
- Whether the drive will be configured with a by-pass circuit. In case of its deployment, the motor will operate like its fixed speed counterpart and may require a NEMA B design which limits in-rush current, or selection of a larger motor starter or other protective circuitry.
- Load sharing
- Mounting and other mechanical considerations

Typical Temperature Rise Of Various Enclosures

Temp. Rise



MOTOR SELECTION

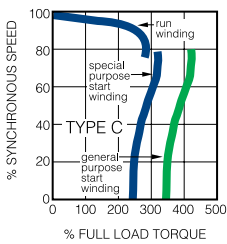
Electric motors are the workhorses of industry. Many applications exist where more than one motor can be used and/or the exact replacement is not available. LEESON makes every effort to maximize interchangeability, mechanically and electrically, where compromise does not interfere with reliability and safety standards. If you are not certain of a replacement condition, contact any LEESON Authorized Distributor or the LEESON District Sales Office.

SELECTION

Identifying a motor for replacement purposes or specifying a motor for new applications can be done easily if the following information is known:

1. Nameplate Data
2. Motor Type
3. Electrical and Performance Characteristics
4. Mechanical Construction

TYPICAL SPEED TORQUE CURVES



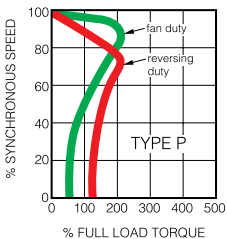
Capacitor Start/Induction Run

A single phase general purpose design, with an electrolytic capacitor in series with the start winding, offering maximum starting torque per ampere.

A centrifugal switch removes the auxiliary winding and capacitor when the motor approaches full load speed. The design is a heavy-duty unit which has approximately 300% (of full load) starting torque. Common applications include compressors, pumps, conveyors and other "hard-to-start" applications.

Capacitor Start/Capacitor Run

This design has two capacitors of different values. A centrifugal switch is used to remove the electrolytic capacitor when the motor approaches full load speed. A second run capacitor remains in series with the auxiliary winding during full load operation. This type of design has lower full-load amps as a result of the run capacitor and is consequently used on most higher horsepower single phase motors.



Permanent Split Capacitor (PSC)

This design has an auxiliary winding with a "run" capacitor, but unlike the capacitor start/induction run motor, the capacitor and auxiliary winding remain in the circuit under running conditions. (There is no centrifugal switch on this type motor.) A permanent split capacitor design has low starting torque and low starting current. They are generally used on direct-drive fans and blowers. They can also be designed for higher starting torque and intermittent applications, where rapid reversing is desired.

NAMEPLATE DATA

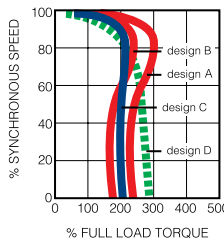
Nameplate data is the most important first step in determining motor replacement. Much of the information needed can generally be obtained from the nameplate of the motor to be replaced. Take time to record all the nameplate information because it can save time, avoid confusion and MISAPPLICATION.

MOTOR TYPE

Alternating current (AC) induction motors are divided into two electrical categories, based on power source—single phase and polyphase (three phase). Direct current (DC) motors are used in applications where precise speed control is required or when battery or generated direct current is the available power source.

Three Phase or Polyphase

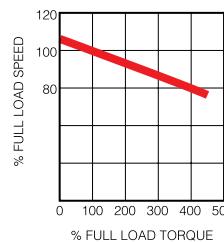
General purpose three phase motors have different electrical design classifications as defined by NEMA. NEMA Design A and B motors are of normal starting torque with normal starting current. NEMA Design C motors have higher starting torque with normal starting current. All three types have slip of less than 5%. ("Slip" being a term which expresses, as a percentage, the difference between synchronous motor speed and full load motor speed, for example, 1800 rpm synchronous versus a full load speed of



1740 rpm.

NEMA's Design B and C standards are minimum performance standards. In practice, some manufacturers (including LEESON) build small integral HP Design B motors with locked rotor and breakdown torque levels equaling NEMA Design C standards.

NEMA T frame motors 1 through 200 HP covered by EPACT (identified with a "G" catalog prefix) are labeled Design B, exceed NEMA Design B performance levels, and have efficiencies equal to EPACT mandated levels. EPACT exempt three phase, base-mounted motors are labeled Design C and have performance characteristics meeting NEMA's Design C standards, with standard motor efficiencies. Motors 250 HP and larger are exempt from EPACT legislation.



Permanent Magnet DC

This design has linear speed/torque characteristics over the entire speed range. SCR rated motor features include high starting torque for heavy load applications and dynamic braking, variable speed and reversing capabilities. Designs are also available for use on generated low voltage DC power or remote applications requiring battery power.

ELECTRICAL AND PERFORMANCE CHARACTERISTICS

One of the best ways to guarantee economical performance and long motor life is to make sure your motors operate at nameplate voltage. Applying too high a voltage may reduce the motor's efficiency and increase operating temperatures. The net result is shorter motor life.

Under-voltage can also shorten motor life. Operating on too low a voltage reduces the motor's effective horsepower. The motor will attempt to drive the load it was intended to drive, become overloaded, draw more current than normal, and overheat. Again, the result will be premature failure.

ENCLOSURES AND ENVIRONMENT

DRIP-PROOF: Venting in end frame and/or main frame located to prevent drops of liquid from falling into motor within a 15° angle from vertical. Designed for use in areas that are reasonably dry, clean, and well ventilated (usually indoors). If installed outdoors, it is recommended that the motor be protected with a cover that does not restrict the flow of air to the motor.

TOTALLY ENCLOSED AIR OVER (TEAO): Dust-tight fan and blower duty motors designed for shaft mounted fans or belt driven fans. The motor must be mounted within the airflow of the fan.

TOTALLY ENCLOSED NON-VENTILATED (TENV): No vent openings, tightly enclosed to prevent the free exchange of air, but not airtight. Has

no external cooling fan and relies on convection for cooling. Suitable for use where exposed to dirt or dampness, but not for hazardous (explosive) locations.

TOTALLY ENCLOSED FAN COOLED (TEFC): Same as the TENV except has external fan as an integral part of the motor, to provide cooling by blowing air around the outside frame of the motor.

TOTALLY ENCLOSED, HOSTILE AND SEVERE ENVIRONMENT MOTORS: Designed for use in extremely moist or chemical environments, but not for hazardous locations.

TOTALLY ENCLOSED BLOWER COOLED MOTORS (TEBC): Used to extend the safe speed range of inverter-fed motors. Similar to TEFC except a small, constant-speed fan provides uniform airflow regardless of the drive motor's operating speed.

EXPLOSION-PROOF MOTORS: These motors meet Underwriters Laboratories and Canadian Standards Association standards for use in hazardous (explosive) locations, as indicated by the UL label affixed to the motor. Locations are considered hazardous because the atmosphere does or may contain gas, vapor, or dust in explosive quantities.

NEMA SERVICE FACTORS

HP	ENCLOSURE	RPM		
		3600	1800	1200
1/4-1/3	Open	1.35	1.35	1.35
1/2-3/4	Open	1.25	1.25	1.25
1 & Larger	Open	1.15	1.15	1.15
All	Totally Enclosed	1.00	1.00	1.00

Most LEESON Totally Enclosed Motors have 1.15 Service Factor. Refer to the Service Factor information on each page to identify specific totally enclosed motors with NEMA 1.00 Service Factor or LEESON 1.15 Service Factor. All drip-proof motors have NEMA Service Factors of 1.15 or higher. **All three phase totally enclosed motors have NEMA Service Factors of 1.15 except when noted (□).**

SCR PM DC MOTORS ON PWM POWER SUPPLIES

Pulse width modulated DC controls have a voltage output similar to pure direct current which has a form factor of 1.00. SCR thyristor drives, such as the SPEEDMASTER® controls listed on page 117, have a form factor of 1.4.

LEESON stock SCR rated motors can also be used with PWM controls. In fact, the motor's HP rating can be increased because of less heating in the motor. In addition, the motor will operate quieter and the brush life will be extended.

Rated HP 1.40 FF	Rated RPM	Rated Volts	Catalog Number	Rated HP 1.05 FF
1/4	1750	90	098002	0.40
	1750	180	098003	0.50
1/3	1750	90	098004	0.50
	1750	90	108424	0.56
	1750	180	098005	0.50
1/2	2500	90	098006	0.75
	2500	180	098007	0.70
	1750	90	098000	0.70
	1750	90	108014	0.75
	1750	90	108226	0.75
	1750	180	098008	0.56
3/4	1750	180	108015	0.70
	1750	180	108227	0.70
	2500	90	098009	1.00
	2500	90	108016	1.00
	2500	180	098010	1.00
	2500	180	108017	0.86
	1750	90	098032	1.00
	1750	90	108018	1.00
	1750	90	108228	1.25
	1750	180	098069	1.00
	1750	180	108019	1.00
	1750	180	108229	1.25
1	2500	90	108020	1.50
	2500	180	108021	1.50
	1750	90	108022	1.25
	1750	90	108230	1.25
	1750	180	108023	1.25
1 1/2	1750	180	108231	1.25
	2500	180	108265	2.00
	1750	180	108092	1.75
	1750	180	108262	1.75
	1750	180	108232	1.75
2	1750	180	128000	--
	2500	180	108266	3.00
	1750	180	128001	--
	1750	180	128010	--
3	2500	180	128008	--
	1750	180	108502	--

METRIC (IEC) DESIGNATIONS

The International Electrotechnical Commission (IEC) is a European-based organization that publishes and promotes worldwide mechanical and electrical standards for motors, among other things. In simple terms, it can be said that IEC is the international counterpart to the National Electrical Manufacturers Association (NEMA), which publishes the motor standards used in the United States.

IEC standards are expressed in metric units.

IEC ENCLOSURE PROTECTION INDEXES

Like NEMA, IEC has designations indicating the protection provided by a motor's enclosure. However, where NEMA designations are word descriptive, such as Open Drip-Proof or Totally Enclosed Fan Cooled. IEC uses a two-digit Index of Protection (IP) designation. The first digit indicates how well-protected the motor is against the entry of solid objects, the second digit refers to water entry.

By way of general comparison, an IP22 motor relates to Open Drip-Proof, IP54 to totally enclosed.

Protection Against Solid Objects		Protection Against Liquids	
Number	Definition	Number	Definition
0	No protection	0	No protection
1	Protected against solid objects of over 50 mm (e.g. accidental hand contact)	1	Protected against water vertically dripping (condensation)
2	Protected against solid objects of over 12 mm (e.g. finger)	2	Protected against water dripping up to 15° from the vertical
3	Protected against solid objects of over 2.5 mm (e.g. tools, wire)	3	Protected against rain falling at up to 60° from the vertical
4	Protected against solid objects of over 1 mm (e.g. thin wire)	4	Protected against water splashes from all directions
5	Protected against dust	5	Protected against jets of water from all directions
6	Totally protected against dust.	6	Protected against jets of water comparable to heavy seas
		7	Protected against the effects of immersion to depths of between 0.15 and 1m
		8	Protected against the effects of prolonged immersion at depth

IEC DESIGN TYPES

The electrical performance characteristics of IEC Design N motors in general mirror those of NEMA Design B—the most common type of motor for industrial applications. By the same token, the characteristics of IEC Design H are nearly identical to those of NEMA Design C. There is no specific IEC equivalent to NEMA Design D.

MOTOR EFFICIENCY TEST METHODS

Performance data of single phase motors is determined by using I.E.E.E. Std. 114 (Method B), three phase motors by I.E.E.E. Std. 112 (Method B). Motor efficiency is calculated using CSA C390. These testing methods meet the requirements of EPACT of 1992 and most utility companies.

For complete performance data on all LEESON motors, please review the Find-A-Product section on www.leeson.com.

Technical Information

Motors Designed For Use In The Automotive Industry

Automotive Duty 56 frame and U Frame motors (pages 233-240) are designed to meet automotive industry specifications from General Motors (GM-7EQ, GM-7EH), Ford (EM1) and Chrysler (NPEM-100). Actual qualifications for individual ratings are indicated in the footnotes on the price pages.

Automotive Duty T Frame motors (pages 233-240) are designed to meet or exceed Ford EM1-1996 specification (see footnotes on the price pages).

UL Recognized Component Listing

Low voltage (< 600 V) motors in frames 48-449T and 182U-445U listed in this catalog (excludes REW, SREW, SEW, SSEW, MD and SE models) carry UL Recognized Component Listing (contact Lincoln for file number).

Web: www.ul.com

NAFTA

A NAFTA (North American Free Trade Agreement) Certificate of Origin can be supplied on request.

Canadian Standards Association (CSA)

Low voltage (< 600 V) motors in frames 48-449T and 182U-445U listed in this catalog have Canadian Standards Association approval (contact Lincoln for file number).

Web: www.csa-international.org



CE (Conformité Européenne)

Lincoln offers a variety of CE-compliant motors. Copies of Lincoln's Declaration of Conformity for the Low Voltage Directive and Manufacturer's Declaration for the Machinery Directive are available on request.

Motors for Hazardous Locations

NEMA defines an explosion-proof motor as follows: "a totally-enclosed machine designed and constructed to withstand an explosion of a specified gas or vapor which may occur within it and to prevent ignition of specified gas or vapor surrounding the machine by sparks, flashes or explosions of the specified gas or vapor which may occur within the machine casing".

Typical applications include petroleum and chemical plants or pipelines, gasoline pumps and natural gas compressors.

A **dust-ignition-proof** motor is "a totally enclosed machine whose enclosure is designed and constructed in a manner which will exclude ignitable amounts of dust or amounts which might affect performance or rating, and which will not permit arcs, sparks, or heat otherwise generated or liberated inside of the enclosure to cause ignition of exterior accumulations or atmospheric suspensions of a specific dust on or in the vicinity of the enclosure. Successful operation of this type of machine requires avoidance of overheating from such causes as excessive overloads, stalling, or accumulation of excessive quantities of dust on the machine".

Typical applications include grain elevators, coal handling equipment, feed and cereal mills, sugar refineries and chemical plants. Both types of motors are submitted to Underwriters Laboratories (UL) for approval.

The following is a brief description of the hazardous locations of both gaseous and dusty atmospheres as classified by the National Fire Protection Association's (NFPA) National Electrical Code (NEC) and printed from the 1996 Handbook. Consult the National Electrical Code for more information on explosion proof regulations.

Class 1 Group Classifications:

Class C - Atmospheres containing ethyl ether, ethylene, or gases or vapors of equivalent hazard.

Class D - Atmospheres such as acetone, ammonia, benzene, butane, cyclopropane, ethanol, gasoline, hexane, methanol, methane, natural gas, naphtha, propane, or gases or vapors of equivalent hazard.

Class 2 Group Classifications:

Group F - atmospheres containing carbonaceous dusts, including carbon black, charcoal, coal or coke dusts that have more than 8% total entrapped volatiles, or dusts that have been sensitized by other materials so that they present an explosion hazard.

Group G - atmospheres containing combustible dusts not included in Group E or F, including flour, grain, wood, plastic, and chemicals.

BAKING INDUSTRY SANITATION STANDARDS COMMITTEE

WASHGUARD II, stainless steel washdown duty motors, NEMA frames 56, 143T, 145T, 182T and 184T are certified to Standard No. 29 for Electric Motors and Accessory Equipment, authorization number 769. The WBMQ Series of gear reducers are BISSC certified to Standard No. 29 for Electric Motors and Accessory Equipment, authorization number 941.

SAUDI ARABIAN STANDARDS ORGANIZATION

SCCP Ref. No.: R-100157

U.S. DEPARTMENT OF ENERGY (DOE)

Compliance Certification (CC) number: CC005A

The CE Mark

CE is an acronym for the French phrase "Conformite Europeene" and is similar to the UL or CSA marks of North America. However, unlike UL or CSA which require independent laboratory testing, the CE mark can be applied by the motor manufacturer through "self certifying" that its products are designed to the appropriate standards. The European Union has issued 24 directives related to the CE mark. Three Directives apply to electric motors.

Low Voltage Directive (2006/95/EC) This directive applies to electrical equipment operating in the voltage range of 50-1000 volts AC or 75-1500 volts DC. Virtually all LEESON motors (except low voltage DC) are included in this directive.

Based on our testing to the applicable electrical and mechanical standards EN60034 and IEC 34, LEESON certifies conformity to this directive. All three phase 50 Hz stock motors comply with the nameplate designations, lead markings and connection diagrams required. A "Declaration of Conformity" accompanies these motors and a CE label is applied.

Machinery Directive (89/3392/EEC) This directive applies to machinery that may contain certain motors. This is an issue with equipment manufacturers and requires the use of a motor meeting the Low Voltage Directive and requires a "Declaration of Incorporation" document which means that only the motor complies with the requirements of the Low Voltage Directive. A CE label is applied to the motor but it remains the responsibility of the equipment manufacturer to obtain certification for the finished product.

Electromagnetic Compatibility (EMC) Directive (2004/108/EC) This directive addresses the final product and is again a concern for the equipment manufacturer. Since this Directive addresses electromagnetic interference (EMI) concerns, it does not affect three phase AC motors because they do not produce EMI. DC motors, however, do produce EMI. How much of the "noise" is emitted outside the machine depends on a host of factors. LEESON's Engineering Department can assist OEM's in applying DC motors in machinery destined for Europe and requiring certification to the EMC Directive.

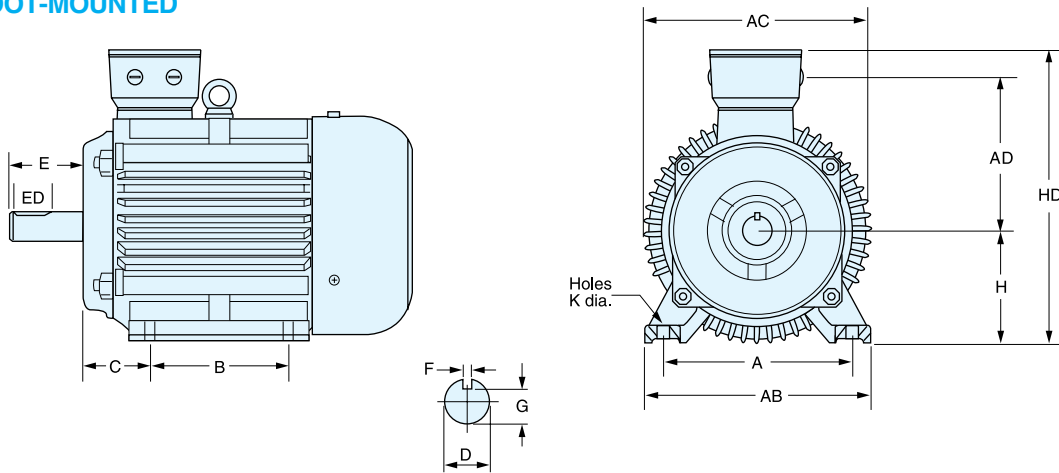


CONFORMITE
EUROPEENE

Technical Information

Dimensions - AC Metric (IEC) Motors

B3 FOOT-MOUNTED

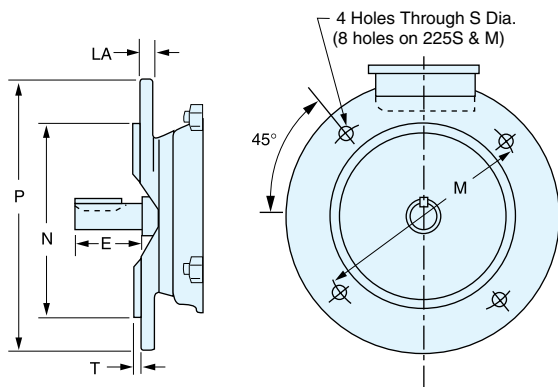


METRIC (IEC) FRAME DIMENSIONS (Millimeters)

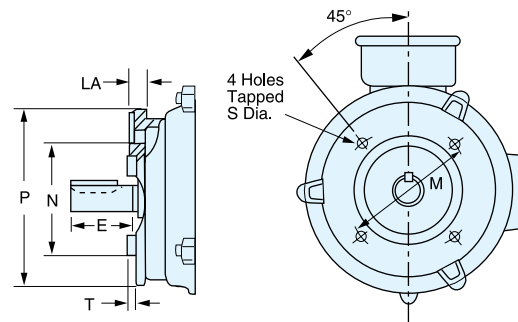
Frame	Mounting						Shaft						General			B5 Flange						B14 Face					
	A	B	C	H	AB	K	D	E	F	G	ED	DH	AC	AD	HD	M	N	P	S	T	LA	M	N	P	S	T	LA
D56	90	71	36	56	107	6	9	20	3	7.5	8	M3 x 8	-	-	-	100	80	120	7	2.5	7	65	50	80	M5	2.5	7
D63	100	80	40	63	122	7	11	23	4	8.5	10	M4 x 10	126	84	171	115	95	140	10	3.0	7	75	60	90	M5	2.5	7
D71	112	90	45	71	136	7	14	30	5	11.0	20	M5 x 12.5	141	94	191	130	110	160	10	3.5	7	85	70	105	M6	2.5	9
D80	125	100	50	80	154	10	19	40	6	15.5	25	M6 x 16	159	102	206	165	130	200	12	3.5	12	100	80	120	M6	3.0	9
D90S	140	100	56	90	172	10	24	50	8	20.0	32	M8 x 19	180	112	229	165	130	200	12	3.5	12	115	95	140	M8	3.0	9
D90L	140	125	56	90	172	10	24	50	8	20.0	32	M8 x 19	180	112	229	165	130	200	12	3.5	12	115	95	140	M8	3.0	9
DF100L	160	140	63	100	205	12	28	60	8	24.0	40	M10 x 22	205	130	270	215	180	250	15	4.0	11	130	110	160	M8	3.5	14
DF112M	190	140	70	112	230	12	28	60	8	24.0	40	M10 x 22	240	150	300	215	180	250	15	4.0	12	130	110	160	M8	3.5	11
DF132S	216	140	89	132	270	12	38	80	10	33.0	56	M12 x 28	275	180	345	265	230	300	15	4.0	12	165	130	200	M10	3.5	14
DF132M	216	178	89	132	270	12	38	80	10	33.0	56	M12 x 28	275	180	345	265	230	300	15	4.0	12	165	130	200	M10	3.5	14
DF160M	254	210	108	160	320	15	42	110	12	37.0	80	M16 x 36	330	210	420	300	250	350	19	5.0	13	215	180	250	M12	4.0	13
DF160L	254	254	108	160	320	15	42	110	12	37.0	80	M16 x 36	330	210	420	300	250	350	19	5.0	13	215	180	250	M12	4.0	13
DF180M	279	241	121	180	355	15	48	110	14	42.5	80	M16 x 36	360	236	455	300	250	350	19	5.0	15	-	-	-	-	-	-
DF180L	279	279	121	180	355	15	48	110	14	42.5	80	M16 x 36	360	236	455	300	250	350	19	5.0	15	-	-	-	-	-	-
DF200L	318	305	133	200	395	19	55	110	16	49.0	100	M20 x 42	420	260	505	350	300	400	19	5.0	18	-	-	-	-	-	-
DF225S	356	286	149	225	435	19	55*/60	110*/140	16*/18	49*/53	100*/125	M20 x 42	450	275	580	400	350	450	19	5.0	18	-	-	-	-	-	-
DF225M	356	311	149	225	435	19	55*/60*/65	110*/140*/140	16*/18*/18	49*/53*/53	100*/125	M20 x 42	450	275	580	400	350	450	19	5.0	18	-	-	-	-	-	-
DF250M	406	349	168	250		24	65	140	18	58	125	M20 x 42	508	300	625	-	-	-	-	-	-	-	-	-	-	-	-

* 2 Pole Dimensions

The overall length dimension for each catalog item is listed on pages 148-151 of this catalog.
Frames DF100L through DF132M, conduit box is located in the center of the frame.



B5 FLANGE

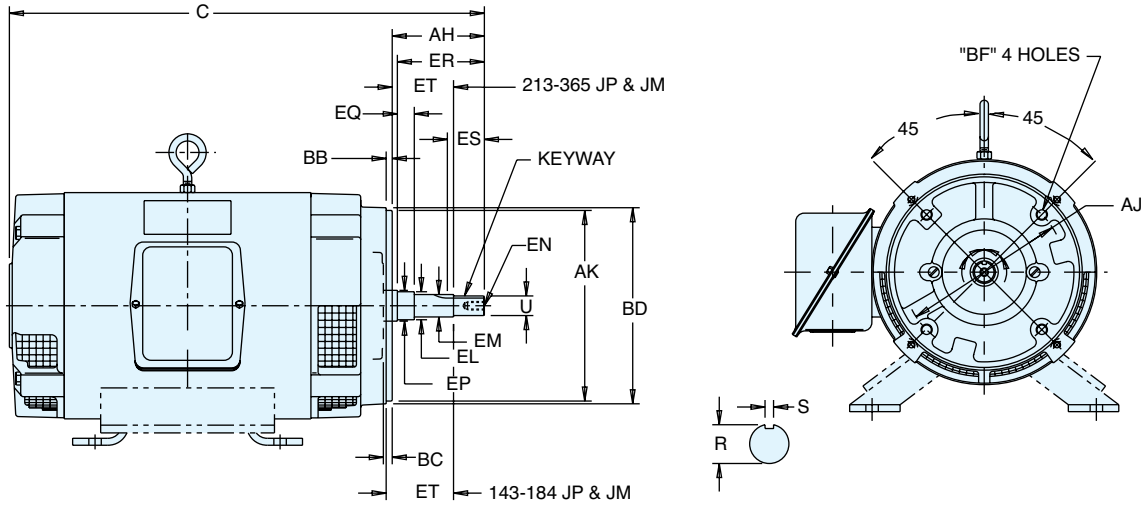


B14 FACE

Technical Information

Dimensions - Definite Purpose - Close Coupled Pump Motors

TYPICAL CLOSE COUPLED PUMP MOTOR



For standard NEMA base dimensions, see pages 280 and 282.

Dimensions for Type JM

Frame Desig.	U	AH	AJ	AK	BB	BD Max.	BF		EL	EM	Tap Size	EN Tap Drill Depth Max.	Bolt Pen. Allow.	EP Min.	EQ	ER Min.	Keyseat				
							No.	Tap Size									R	ES Min.	S	ET	
143 & 145JM	0.8745	4.15	5.890	4.500	0.150	6.62	4	3/8-16	0.56	1.156	1.0000	3/8-16	1.12	0.75	1.156	0.640	4.25	0.771	1.65	0.190	2.890
182 & 184JM	0.8745	4.13	5.89	4.500	0.16	6.62	4	3/8-16	0.56	1.250	1.0000	3/8-16	1.12	0.75	1.250	0.640	4.25	0.771	1.65	0.190	2.890
213 & 215JM	0.8750	4.25	7.265	8.500	0.312	9.00	4	1/2-13	0.75	1.250	1.0000	3/8-16	1.12	0.75	1.750	0.640	4.25	0.771	1.65	0.190	2.890
254 & 256JM	1.2495	5.25	7.250	8.500	0.312	10.00	4	1/2-13	0.75	1.750	1.3750	1/2-13	1.50	1.00	1.750	0.640	5.25	1.112	2.53	0.252	3.015
284 & 286JM	1.2495	5.281	11.00	12.500	0.312	14.00	4	5/8-11	0.94	1.750	1.3750	1/2-13	1.50	1.00	2.125	0.645	5.25	1.112	2.53	0.252	3.020
324 & 326JM	1.2495	5.219	11.00	12.495	0.250	14.00	4	5/8-11	0.94	1.748	1.3745	1/2-13	1.50	1.00	2.125	0.605	5.25	1.097	2.53	0.250	2.980
364JM	1.2490	5.219	12.495	0.250						1.478	1.3745					0.605	1.097	2.53	0.252	3.020	
365JM	1.2490	5.219	12.495	0.250						1.478	1.3745					0.605	1.097	2.53	0.250	2.980	

Dimensions for Type JP

Frame Desig.	U	AH	AJ	AK	BB	BD Max.	BF		EL	EM	Tap Size	EN Tap Drill Depth Max.	Bolt Pen. Allow.	EP Min.	EQ	ER Min.	Keyseat				
							No.	Tap Size									R	ES Min.	S	ET	
143 & 145JP	0.8745	7.19	5.890	4.500	0.156	6.62	4	3/8-16	0.56	1.156	1.0000	3/8-16	1.12	0.75	1.156	1.578	7.312	0.771	1.65	0.190	5.952
182 & 184JP	0.8745	7.21	5.890	4.500	0.156	6.62	4	3/8-16	0.56	1.250	1.0000	3/8-16	1.12	0.75	1.250	1.578	7.312	0.771	1.65	0.190	5.952
213 & 215JP	1.2495	8.12	7.250	8.500	0.312	9.00	4	1/2-13	0.75	1.750	1.3750	1/2-13	1.50	1.00	1.750	2.390	8.125	1.112	2.53	0.252	5.890
254 & 256JP	1.2495	8.156	7.250	8.500	0.312	10.00	4	1/2-13	0.75	1.750	1.3750	1/2-13	1.50	1.00	1.750	2.390	8.125	1.112	2.53	0.252	5.890
284 & 286JP	1.2495	8.094	11.00	12.500	0.312	14.00	4	5/8-11	0.94	1.750	1.3750	1/2-13	1.50	1.00	2.125	2.390	8.125	1.112	2.53	0.252	5.895
324JP & 326JP	1.2490	8.094	11.00	12.495	0.250	14.00	4	5/8-11	0.94	1.748	1.3745	1/2-13	1.50	1.00	2.125	2.360	8.125	1.097	2.53	0.250	5.860
364JP & 365JP	1.6245	8.12	11.00	12.500	0.312	14.00	4	5/8-11	0.94	2.125	1.7500	1/2-13	1.50	1.00	2.500	2.395	8.125	1.416	2.53	0.377	5.895
366JP	1.6240	8.12	11.00	12.495	0.250	14.00	4	5/8-11	0.94	2.13	1.7495	1/2-13	1.50	1.00	2.500	2.355	8.125	1.401	2.53	0.375	5.855

All dimensions are measured in inches. For "C" dimensions, refer to the appropriate catalog page. Certified drawings are available upon request - contact LEESON for details.



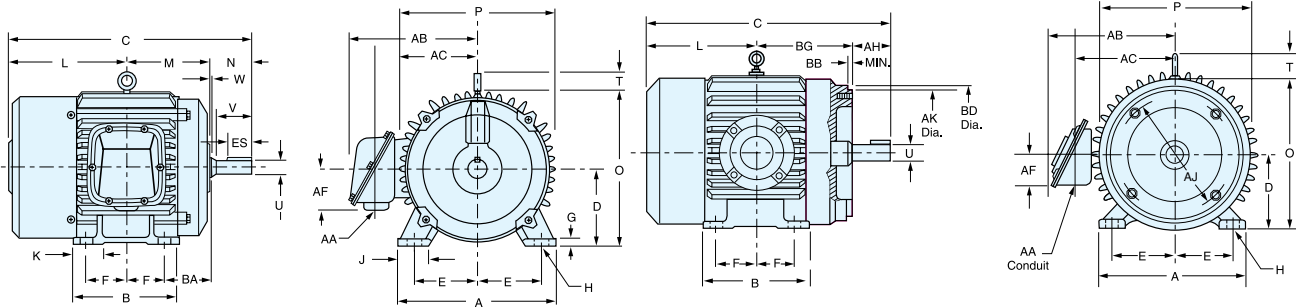
Technical Information

Dimensions - NEMA Explosion Proof - 158 Series

- DC Motors
- Gearmotors
- Ac / DC Controls
- Accessories / Kits
- Mods / Factory Options
- X-Ref / Index
- Tech Information
- Terms / Warnings
- Other Products

RIGID MOUNT 158 SERIES

C FACE 158 SERIES



NEMA EXPLOSION-PROOF • 158 SERIES • RIGID MOUNT DIMENSIONS (Inches)

Frame Size	A	B	D	E	F	G	H	J	K	L	M	N	O	P	T	U	V	N-W	ES	AA	AB	AC	AF	BA	KEY
182T	9	6	4 1/2	3 3/4	2 1/4	7/16	7/16	1 3/4	1 7/8	6 13/16	4 15/16	2 13/16	9 1/8	9 1/4	—	1.125	2 1/2	2 3/4	1 7/8	3/4	7 13/16	6 9/16	3 1/8	2 3/4	
184T		7			2 3/4					7 5/16	5 7/16	2 15/16													
213T	10 1/2	7	5 1/4	4 1/4	2 3/4	7/16	7/16	2	1 7/8	8 1/8	6 3/16	3 7/16	10 1/2	10 1/2	2 5/16	1.375	3 1/8	3 1/4	2 7/16	1	9 1/4	7 5/8	3 1/2	3 1/2	5/16
215T		8 1/2			3 1/2					8 7/8	6 15/16														
254T	12 1/2	10 1/4	6 1/4	5	4 1/8	5/8	9/16	2 1/2	2 5/8	10 3/8	8 5/16	4 1/8	12 1/2	12 1/2	2 5/16	1.625	3 3/4	3 3/8	2 15/16	1 1/4	10 1/4	8 7/8	3 7/8	4 1/4	
256T		12			5					11 1/4	9 3/16														
284T		11 1/2			4 3/4					11 13/16	9 7/16	4 11/16				1.875	4 3/8	4 1/2	3 1/4						1/2
284TS						5/8	9/16	2 1/2	2 3/4		3 5/16		14	14	2 7/16	1.625	3	3 3/8	1 15/16	1 1/2	12 1/8	10	4 7/16	4 3/4	3/8
286T	13 3/4	13	7	5 1/2	5 1/2					12 3/16	10 3/16	4 11/16				1.875	4 3/8	4 1/2	3 1/4						1/2
286TS											3 5/16					1.625	3	3 3/8	1 15/16						3/8
324T					5 1/4					13 3/16	10 7/16	5 7/16				2.125	5	5 1/8	4						
324TS											3 13/16		16	16	2 5/8	1.875	3 1/2	3 5/8	2	2	14 3/8	11 3/4	5 3/8	5 1/4	
326T	15 1/2	13 1/4	8	6 1/4	6	5/8	1 1/16	2 3/4	3 1/8	13 15/16	11 3/16	5 7/16				2.125	5	5 1/8	3						
326TS		14 3/4									3 13/16					1.875	3 1/2	3 5/8	2 1/16						
364T					5 5/8					16 1/16	11 3/8	6				2.375	5 5/8	5 3/4	4 1/4						5/8
364TS											3 7/8		18 1/2	19	12 7/16	1.875	3 1/2	3 5/8	2 1/16	3	16 1/16	13 5/16	6 7/8	5 7/8	1/2
365T	17	15	9	7	6 1/8	7/8	1 1/16	2 3/4	3 7/8	15 3/16	11 7/8	6				2.375	5 5/8	5 3/4	4 1/4						5/8
365TS											3 3/4					1.875	3 1/2	3 5/8	2 1/16						1/2
405T	19	16	10	8	6 7/8	1 1/8	1 3/16	3 1/4	3 1/4	17 3/16	13 1/8	7 5/8	21 5/16	22 5/16	2 15/16	2.875	7	7 1/8	5 11/16	4					3/4
405TS											4 5/8					2.125	4	4 1/8	2 7/8						1/2

NEMA EXPLOSION-PROOF • 158 SERIES • C FACE DIMENSIONS (Inches)

FRAME SIZE	A	B	D	E	F	H	L	O	P	T	U	V	AH	AJ		BB	AK	BD	BG	AA	AB	AC	AF	KEYWAY
														DIA.	BARR.									
182T	9	6	4 1/2	3 3/4	2 1/4	7/16	6 5/8	9 1/8	9 1/4	—	1.1250	2 1/2	2 5/8	7 1/4	4	9/32	8.500	8 3/4	5 7/8	3/4	9 3/8	7 1/8	2 1/2	1/4
184T		7			2 3/4		7 1/8												6 3/8					

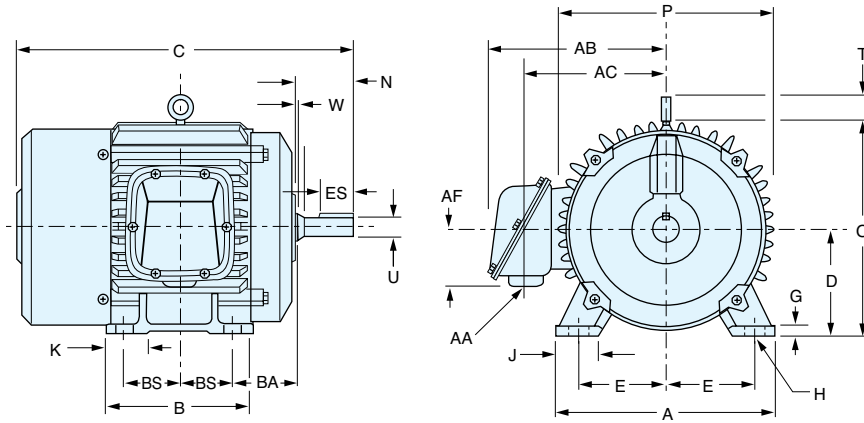
The condensed dimensions shown on these pages are for general reference only and are not for construction. The overall length or "C" dimension for each catalog item is included in this catalog. **Certified drawings of all ratings are available for construction purposes.**



Technical Information

Dimensions - NEMA Explosion Proof - G Series

RIGID MOUNT G-SERIES



NEMA EXPLOSION-PROOF • G-SERIES • RIGID MOUNT DIMENSIONS (Inches)

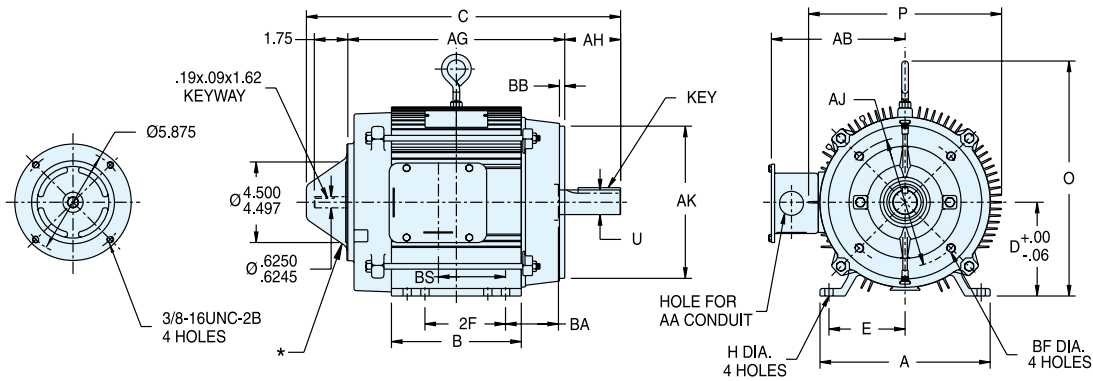
Frame Size	A	B	D	E	2F*	G	H	J	K	N	O	P	T	U	N-W	ES	AA	AB	AC	AF	BA	BS	KEY	C Dim
182T 184T	8.88	7.75	—	3.75	6.75	0.45	0.41-0.46	1.56	—	2.78	9.36	9.76	2.62	1.125	2.75	1.75	0.75	9.73	7.13	—	2.75	3.37	0.25	17.12
213T 215T	10.38	8.50	5.19 5.25	4.25	7.00	0.60	0.44	1.87	—	3.41	10.60	11.50	2.62	1.375	3.38	2.38	0.75	10.94	8.32	2.55	3.50	3.50	0.31	20.18
254T 256T	12.12	10.25	6.19 6.25	5.00	8.25 10.00	0.55	0.53-0.58	2.08	—	4.19	14.07	14.12	—	1.625	4.00	2.88	1.25	13.67	10.65	3.12	4.25	4.12 5.00	0.38	23.52 25.27
284T 284TS 286T 286TS	13.00	11.50	6.94	5.50	9.50	0.88	0.53-0.58	2.50	2.50	4.81	14.74	15.50	3.25	1.875	4.62	3.25	1.50	15.33	11.44	5.38	4.75	0.50	0.38	26.30
3.44		1.625	1.88		24.94																			
4.81		1.875	3.25		27.80																			
3.44		1.625	1.88		26.44																			
324T 324TS 326T 326TS	15.75	13.00	7.94	6.25	10.50	0.86	0.66-0.71	3.50	—	5.50	17.10	16.00	3.25	2.125	5.25	3.88	2.00	16.50	12.64	5.38	5.25	0.50	0.50	28.87
4.00		1.875	3.75		27.37																			
5.50		2.125	5.25		30.37																			
4.00		1.875	3.75		28.87																			
364T 364TS 365T 365TS	17.75	13.25	8.94	7.00	11.25	1.12	0.66-0.71	4.00	3.25	6.12	19.00	20.00	3.62	2.375	5.88	4.24	2.50	19.75	14.50	5.38	5.88	5.62	0.62	31.50
4.00		1.875	3.75		29.38																			
6.12		2.375	5.88		32.50																			
4.00		1.875	3.75		30.38																			
405T 405TS	19.25	16.25	—	8.00	13.75	1.12	0.81-0.86	4.25	3.75	7.50	20.87	21.75	3.62	2.875	7.25	5.62	2.50	21.50	16.38	5.38	6.62	6.88	0.75	37.12
4.50										2.125				4.25	2.75	0.50							34.12	
444T 444TS 445T 445TS 449T 449TS	21.50	18.00	10.94	9.00	14.50	1.25	0.81-0.86	3.75	5.12	8.75	23.12	24.25	3.62	3.375	8.50	6.88	2.50	22.75	17.50	5.38	7.50	7.25	0.88	41.25
5.00		2.375	4.75		3.00	0.62				37.50														
8.75		3.375	8.50		6.88	0.88				43.19														
5.00		2.375	4.75		3.00	0.62				39.44														
8.75		3.375	8.50		6.88	0.88				51.69														
5.00		2.375	4.75		3.00	0.62				47.97														

* 182-4T and 213-5T frames have eight-hole bases. 449T and TS frames have six-hole bases. Others have four-hole bases.

Technical Information

Dimensions - Speedmaster® Inverter Duty Motors

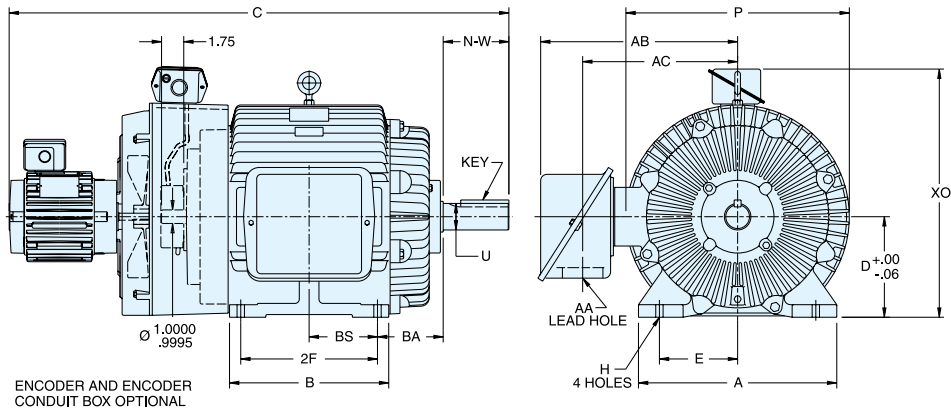
TENV—C FACE, RIGID BASE



TENV • C FACE • RIGID BASE • DIMENSIONS (Inches)

Frame Size	D	E	2F	H	O MAX.	P MAX.	U	AA	AB MAX.	AG MAX.	AH	AJ	AK	BA	BB	BF	BS	KEY
143TC	3.50	2.75	4.00	.38	7.45	7.98	.875	1.09	7.04	9.25	2.12	5.875	4.50	2.62	.13	3/8-16	2.81	.19 x .19 x 1.38
145TC	3.50	2.75	5.00	.35	7.45	7.98	.875	1.09	7.04	10.25	2.12	5.875	4.50	2.62	.13	3/8-16	3.81	.19 x .19 x 1.38
182TC	4.50	3.75	4.50	.41	9.36	9.76	1.125	1.09	8.08	11.75	2.62	7.250	8.50	3.50	.27	1/2-13	2.25	.25 x .25 x 1.75
184TC	4.50	3.75	5.50	.41	9.36	9.76	1.125	1.09	8.08	12.75	2.62	7.250	8.50	3.50	.27	1/2-13	2.75	.25 x .25 x 1.75
213TC	5.25	4.25	5.50	.44	10.97	11.50	1.375	1.09	9.31	15.12	3.12	7.250	8.50	4.25	.27	1/2-13	3.50	.31 x .31 x 2.38
215TC	5.25	4.25	7.00	.44	10.97	11.50	1.375	1.09	9.31	17.31	3.12	7.250	8.50	4.25	.27	1/2-13	6.18	.31 x .31 x 2.38
254TC	6.25	5.00	8.25	.53	14.09	14.27	1.625	1.25	9.83	19.06	3.75	7.250	8.50	4.75	.27	1/2-13	6.31	.38 x .38 x 2.88
256TC	6.25	5.00	10.00	.56	14.09	14.27	1.625	1.25	11.08	18.82	3.75	7.250	8.50	4.75	.27	1/2-13	5.00	.38 x .38 x 2.88
284TC	7.00	5.50	9.50	.56	14.16	14.32	1.875	1.50	12.31	20.57	4.38	9.000	10.50	4.75	.27	1/2-13	5.50	.50 x .50 x 3.25

TBEC—TOTALLY ENCLOSED BLOWER COOLED, RIGID BASE



TBEC • TOTALLY ENCLOSED BLOWER COOLED • RIGID BASE • DIMENSIONS (Inches)

Frame Size	D	E	2F	H	O MAX.	P MAX.	U	AA	AB MAX.	AC MAX.	BA	BS	FU	N-W	KEY
325T	8.00	6.25	10.50	.66	16.00	15.88	2.12	2.00	13.69	10.69	5.25	5.25	1.00	5.25	.50 x .50 x 3.88
326T	8.00	6.25	12.00	.66	16.00	15.88	2.12	2.00	13.69	10.69	5.25	6.00	1.00	5.25	.50 x .50 x 3.88
364T	9.00	7.00	11.25	.66	19.00	20.00	2.38	3.62	17.85	14.56	5.88	5.62	1.00	5.88	.62 x .62 x 4.25
365T	9.00	7.00	12.25	.66	19.00	20.00	2.38	3.62	17.85	14.56	5.88	6.12	1.00	5.88	.62 x .62 x 4.25
404T	10.00	8.00	12.25	.81	20.88	21.75	2.88	3.62	18.75	14.75	6.62	6.12	1.00	7.25	.75 x .75 x 5.62
405T	10.00	8.00	13.75	.81	20.88	21.75	2.88	3.62	19.75	16.25	6.62	6.88	1.00	7.25	.75 x .75 x 5.62
444T	11.00	9.00	14.50	.81	24.19	25.31	3.38	3.62	20.94	17.38	7.50	7.25	1.00	8.50	.88 x .88 x 6.88
445T	11.00	9.00	16.50	.81	24.19	26.31	3.38	3.62	20.94	17.38	7.50	8.25	1.00	8.50	.88 x .88 x 6.88
449T	11.00	9.00	25.00	.81	24.22	26.31	3.38	4.62	25.90	19.31	7.50	1.78	1.00	8.50	.88 x .88 x 6.88



DC Motors

Gearmotors

Ac / DC Controls

Accessories / Kits

Mods / Factory Options

X-Ref / Index

Tech Information

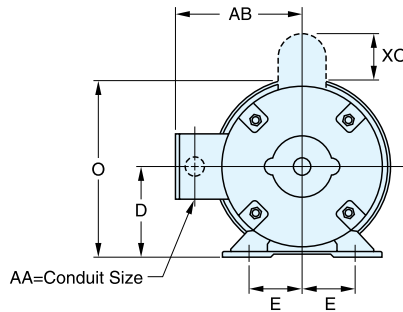
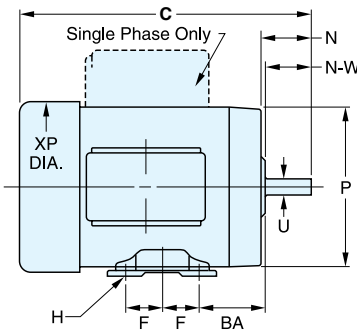
Terms / Warnings

Other Products

Technical Information

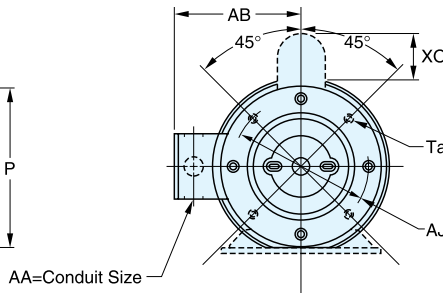
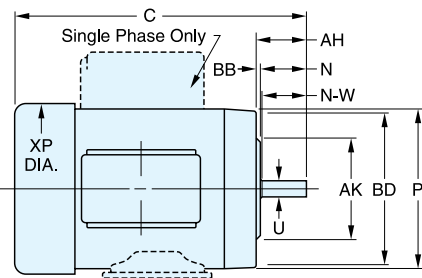
Dimensions - NEMA Steel Frame Motors

RIGID MOUNT



The condensed dimensions shown on these pages are for general reference only and are not for construction. The overall length or "C" dimension for each catalog item is included in this catalog. **Certified drawings of all ratings are available for construction purposes.**

C FACE



NEMA SHAFT AND KEYWAY DIMENSIONS (Inches)

NEMA SHAFT (U)	KEYWAY DIMENSIONS (R) (S)	NEMA SHAFT (U)	KEYWAY DIMENSIONS (R) (S)
3/8	21/64 FLAT	1-7/8	1-19/32 1/2
1/2	29/64 FLAT	2-1/8	1-27/32 1/2
5/8	33/64 3/16	2-3/8	2-1/64 5/8
7/8	49/64 3/16	2-1/2	2-3/16 5/8
1-1/8	63/64 1/4	2-7/8	2-29/64 3/4
1-3/8	1-13/64 5/16	3-3/8	2-7/8 7/8
1-5/8	1-13/32 3/8	3-7/8	3-5/16 1

■ S is keyway width.
U minus R is keyway depth.

NEMA STEEL FRAME DIMENSIONS (Inches)

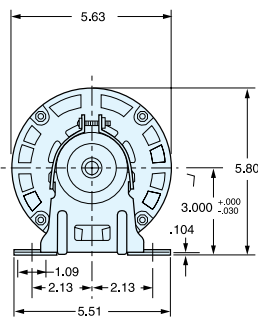
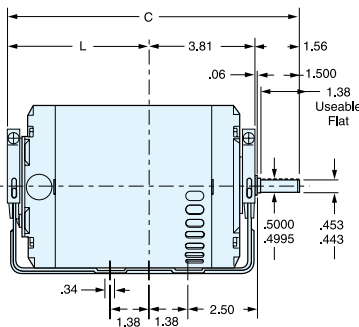
Frame Size ▲	D	E	F	H	N	O	P	U	N-W	AA	AB	AH	AJ	AK	BA	BB	BD	XO	XP	TAP **	KEY	
42	2 ⁵ / ₈	1 ³ / ₄	2 ⁷ / ₃₂	9 ³ / ₃₂ Slot	1 ³ / ₁₆	5 ¹ / ₁₆	4 ⁷ / ₈	3 ³ / ₈	1 ¹ / ₈	3 ³ / ₈	4 ¹ / ₂	1 ⁵ / ₁₆	3 ³ / ₄	3	2 ¹ / ₁₆	1 ¹ / ₈	4 ⁷ / ₈	1 ⁵ / ₈	5 ¹ / ₈	1 ¹ / ₄ -20	3 ³ / ₆₄ Flat	
48	3	2 ¹ / ₈	1 ³ / ₈	1 ¹ / ₃₂ Slot	1 ⁹ / ₁₆	5 ¹³ / ₁₆	5 ¹⁹ / ₃₂	1 ¹ / ₂	1 ¹ / ₂	1 ¹ / ₂	4 ⁷ / ₈	1 ¹¹ / ₁₆	3 ³ / ₄	3	2 ¹ / ₂	1 ¹ / ₈	5	2 ¹ / ₄	5 ⁷ / ₈	1 ¹ / ₄ -20	3 ³ / ₆₄ Flat	
S56	3 ¹ / ₂	2 ⁷ / ₁₆	1 ¹ / ₂	1 ¹ / ₃₂ Slot	1 ¹⁵ / ₁₆	6 ⁵ / ₁₆	5 ¹⁹ / ₃₂	5 ³ / ₈	1 ⁷ / ₈	1 ¹ / ₂	4 ⁷ / ₈	2 ¹ / ₁₆	5 ⁷ / ₈	4 ¹ / ₂	2 ³ / ₄	1 ¹ / ₈	6 ¹ / ₂	2 ¹ / ₄	5 ⁷ / ₈	3 ³ / ₈ -16	3 ¹ / ₁₆	
56						6 ¹³ / ₁₆	6 ¹⁹ / ₃₂				5 ⁵ / ₁₆								7 ⁵ / ₃₂			
143T	3 ¹ / ₂	2 ³ / ₄	2	1 ¹ / ₃₂	2 ³ / ₈	6 ¹³ / ₁₆	6 ¹⁹ / ₃₂	7 ¹ / ₈	2 ¹ / ₄	3 ³ / ₄	5 ⁵ / ₁₆	2 ¹ / ₈	5 ⁷ / ₈	4 ¹ / ₂	*2 ¹ / ₄	1 ¹ / ₈	6 ¹ / ₂	2 ¹ / ₄	7 ⁵ / ₃₂	3 ³ / ₈ -16	3 ¹ / ₁₆	
145T			2 ¹ / ₄																			
182T	4 ¹ / ₂	3 ³ / ₄	2 ³ / ₄	1 ³ / ₃₂	2 ⁷ / ₈	8 ³ / ₄	8 ¹⁵ / ₃₂	1 ¹ / ₈	2 ³ / ₄	3 ³ / ₄	6 ⁷ / ₁₆	2 ⁵ / ₈	7 ¹ / ₄	8 ¹ / ₂	*2 ³ / ₄	1 ¹ / ₄	8 ⁷ / ₈	2 ¹ / ₄	9 ⁷ / ₃₂	1 ¹ / ₂ -13	1 ¹ / ₄	
184T			2 ³ / ₄																			
S213T	5 ¹ / ₄	4 ¹ / ₄	2 ³ / ₄	1 ³ / ₃₂	3 ¹ / ₂	9 ²⁷ / ₃₂	8 ¹³ / ₃₂	1 ³ / ₈	3 ³ / ₈	3 ³ / ₄	7 ⁷ / ₃₂	3 ¹ / ₈	7 ¹ / ₄	8 ¹ / ₂	*3 ¹ / ₂	1 ¹ / ₄	8 ⁷ / ₈	2 ¹ / ₄	9 ⁷ / ₃₂	1 ¹ / ₂ -13	5 ¹ / ₁₆	
213T			2 ³ / ₄			10 ⁵ / ₈	9 ²¹ / ₃₂													10 ¹³ / ₁₆		
215T			3 ¹ / ₂																			

* 143-5TC NEMA C face BA dimension is 2³/₄". 182-4TC NEMA C face BA dimension is 3¹/₂". 213-5TC NEMA C face BA dimension is 4¹/₄".

** 326TC and smaller have 4 mounting holes in NEMA C face, 364TC and larger have 8 mounting holes.

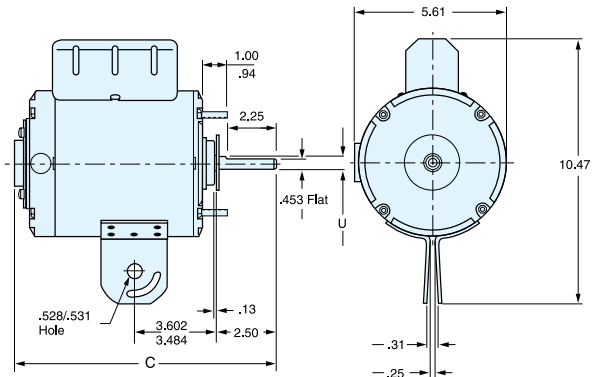
▲ Blue shading denotes dimensions established by NEMA standard MG1, others are unique to LEESON, and will vary with each manufacturer.

Split-Phase Motors - 191868, 191869 & 191870 (page 111)

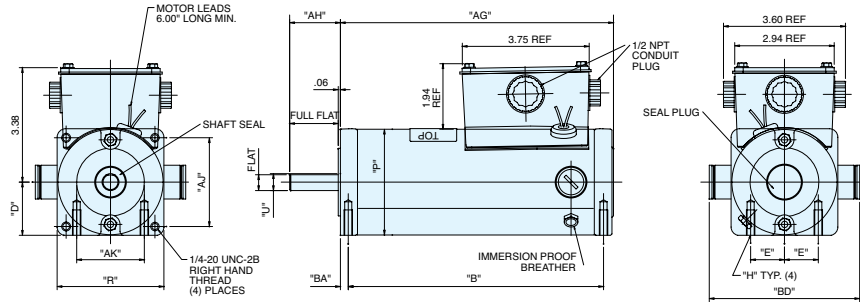


Pedestal Fan Motors (page 111)

Note: Motors with U = .625 have a 3/16" keyway.

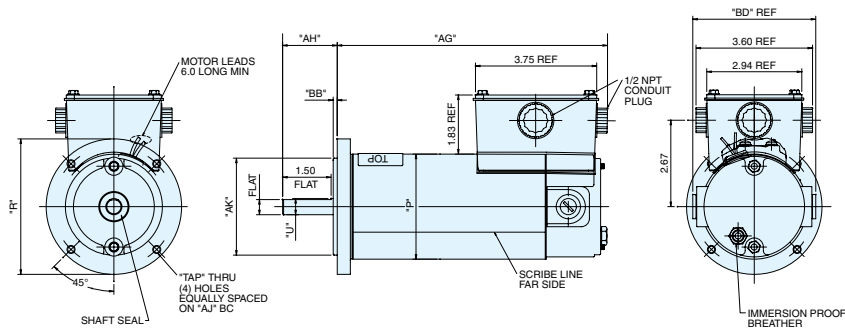


Dimensions - NEMA Steel Frame Motors



WASHGUARD 31 FRAME SQUARE FLANGE MOUNT STYLE DIMENSIONS (Inches)

Catalog Number	Frame	AG	P	BD	U	AH	AH-BB	AJ	Tap	R	AK	BB	D	BA	E	F	H
M1120181	31S	7.07	3.13	3.80	.50000	1.5	1.44	2.63	1/4-20	3.16	1.99	.07	1.57	.235	1.000	6.55	1/4-20
M1120182	31S	6.57	3.13	4.45	.50000	1.5	1.44	2.63	1/4-20	3.16	1.99	.07	1.57	.235	1.000	6.05	1/4-20
M1120183	31S	8.57	3.13	3.80	.50000	1.5	1.44	2.63	1/4-20	3.16	1.99	.07	1.57	.235	1.000	8.05	1/4-20
M1120184	31S	8.07	3.13	4.45	.50000	1.5	1.44	2.63	1/4-20	3.16	1.99	.07	1.57	.235	1.000	7.55	1/4-20



WASHGUARD 42C FACE MOUNT STYLE DIMENSIONS (Inches)

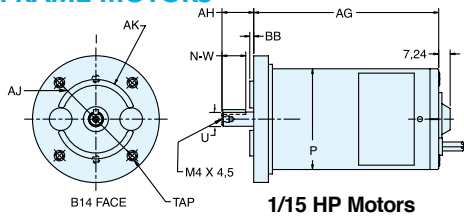
Catalog Number	Frame	AG	P	U	AH	AH-BB	KEY	AJ	TAP	AK	R	BD
M1120185	32F42CZ	8.36	3.25	.500	1.69	1.50	.13 SQ	3.750	1/4-20	3.00	4.19	3.80
M1120186	32F42CZ	7.86	3.25	.500	1.69	1.50	.13 SQ	3.750	1/4-20	3.00	4.19	4.43

ALL DIMENSIONS IN INCHES

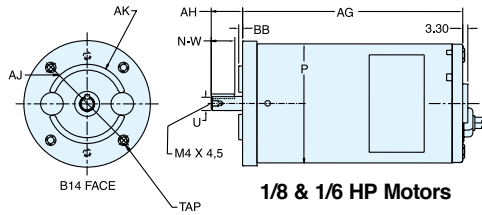
Technical Information

Dimensions

COMMERCIAL DUTY METRIC (IEC) FRAME MOTORS



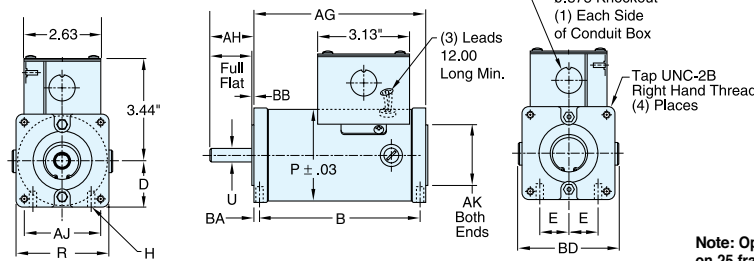
1/15 HP Motors



1/8 & 1/6 HP Motors

DIMENSIONS (Inches)

Frame Voltage	AG	P	U	AH	N-W	AJ	TAP	AK	BB
12	4.59	2.50	.35	.787	.591	2.56	M5x.8	1.97	.10
2.50	24	4.59	2.50	.35	.787	.591	2.56	M5x.8	1.97
90	4.59	2.50	.35	.787	.591	2.56	M5x.8	1.97	.10
12	5.53	3.00	.35	.787	.591	2.56	M5x.8	1.97	.10
3.00	24	5.53	3.00	.35	.787	.591	2.56	M5x.8	1.97
90	5.53	3.13	.35	.787	.591	2.56	M5x.8	1.97	.10
12	5.87	3.00	.35	.787	.591	2.56	M5x.8	1.97	.10
3.00	24	5.87	3.00	.35	.787	.591	2.56	M5x.8	1.97
90	5.87	3.13	.35	.787	.591	2.56	M5x.8	1.97	.10



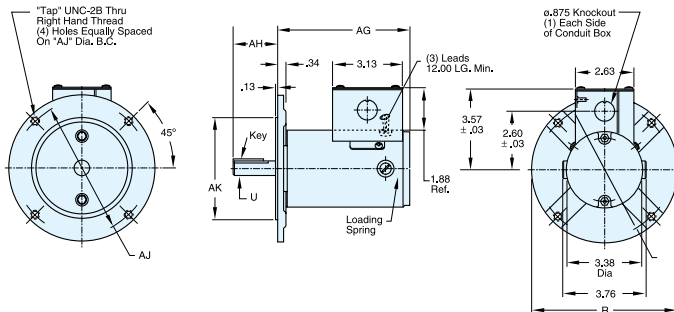
Note: Optional conduit box not included on 25 frame models.

Conduit box dimensions shown here are for 31 frame only.

25 & 31 FRAME SQUARE FLANGE MOUNT DIMENSIONS (Inches)

Frame & Type	AG	P	BD	U	AH	AH-BB	AJ	TAP	R	AK	BB	D	BA	E	B	H
25 AS	4.08	2.50	3.00	.312	1.5	1.00	1.73	8-32	2.62	.997	.03	1.28	.125	.625	3.83	8-32
25 CS	4.94	2.50	3.00	.312	1.5	1.00	1.73	8-32	2.62	.997	.03	1.28	.125	.625	4.69	8-32
31 BS	5.39	3.07	3.45	.5000	1.5	1.00	2.63	1/4-20	3.16	1.99	.07	1.57	.235	1.000	4.92	1/4-20
31 CS**	5.89	3.07	3.45	.5000	1.5	1.00	2.63	1/4-20	3.16	1.99	.07	1.57	.235	1.000	5.42	1/4-20
31 ES**	6.89	3.07	3.45	.5000	1.5	1.00	2.63	1/4-20	3.16	1.99	.07	1.57	.235	1.000	6.42	1/4-20
31 GS	7.89	3.07	3.45	.5000	1.5	1.00	2.63	1/4-20	3.16	1.99	.07	1.57	.235	1.000	7.42	1/4-20

**Catalog numbers M1120041 & M1120044 have an 'AG' & 'F' dimension that is .5" longer than stated in table.



42C FACE MOUNT DIMENSIONS (Inches)

Frame	AG	P	U	AH	AH-BB	KEY	AJ	TAP	AK	R
34D42C	6.43	3.38	.500	1.38	1.25	.13 SQ	3.750	1/4-20	3.00	4.25

56C FACE MOUNT DIMENSIONS (Inches)

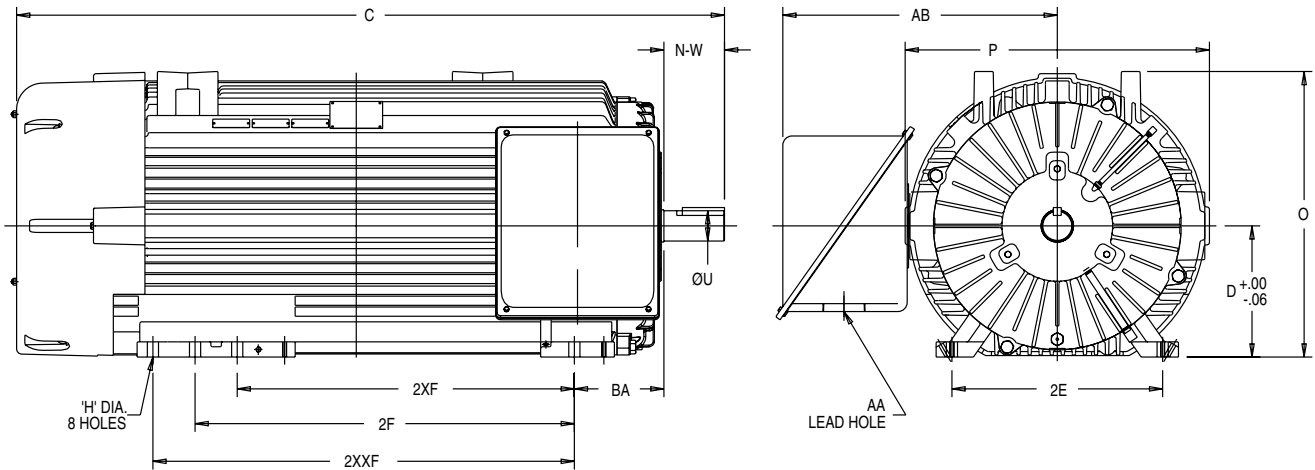
Frame	AG	P*	U	AH	AH-BB	KEY	AJ	TAP	AK	R
34E56C	6.87	3.38	.625	2.06	1.93	.19 SQ	5.875	3/8-16	4.50	6.50
34G56C	8.59	3.38	.625	2.06	1.93	.19 SQ	5.875	3/8-16	4.50	6.50

*For 1/4 HP 34 frame TEFC designs. Fan cover diameter is 3.88".



Technical Information

5000 Frame Motors



FRAME	H	BA	2XF	2F	2XXF	N-W	U	AB (MAX.)	P (MAX.)	Ø (MAX.)	D	2E	AA
5010LS	1.062 1.077	8.50	32.00	—	—	5.75	2.875 2.874	26.05	28.88	27.08	12.470 12.410	20.00	4.00 NPT
5011LS	1.062 1.077	8.50	—	36.00	—	5.75	2.875 2.874	26.05	28.88	27.08	12.470 12.410	20.00	4.00 NPT
5012LS	1.062 1.077	8.50	—	—	40.00	5.75	2.875 2.874	26.05	28.88	27.08	12.470 12.410	20.00	4.00 NPT
5013LS	1.062 1.077	8.50	45.00	—	—	5.75	2.875 2.874	26.05	28.88	27.08	12.470 12.410	20.00	4.00 NPT
5010LX	1.062 1.077	8.50	32.00	—	—	12.00	3.875 3.874	26.05	28.88	27.08	12.470 12.410	20.00	4.00 NPT
5011LX	1.062 1.077	8.50	—	36.00	—	12.00	3.875 3.874	26.05	28.88	27.08	12.470 12.410	20.00	4.00 NPT
5012LX	1.062 1.077	8.50	—	—	40.00	12.00	3.875 3.874	26.05	28.88	27.08	12.470 12.410	20.00	4.00 NPT
5013LX	1.062 1.077	8.50	45.00	—	—	12.00	3.875 3.874	26.05	28.88	27.08	12.470 12.410	20.00	4.00 NPT
5010L	1.062 1.077	8.50	32.00	—	—	9.50	4.000 3.999	26.05	28.88	27.08	12.470 12.410	20.00	4.00 NPT
5011L	1.062 1.077	8.50	—	36.00	—	9.50	4.000 3.999	26.05	28.88	27.08	12.470 12.410	20.00	4.00 NPT
5012L	1.062 1.077	8.50	—	—	40.00	9.50	4.000 3.999	26.05	28.88	27.08	12.470 12.410	20.00	4.00 NPT
5013L	1.062 1.077	8.50	45.00	—	—	9.50	4.000 3.999	26.05	28.88	27.08	12.470 12.410	20.00	4.00 NPT
5010S	1.062 1.077	8.50	32.00	—	—	5.75	2.625 2.624	26.05	28.88	27.08	12.470 12.410	20.00	4.00 NPT
5011S	1.062 1.077	8.50	—	36.00	—	5.75	2.625 2.624	26.05	28.88	27.08	12.470 12.410	20.00	4.00 NPT
5012S	1.062 1.077	8.50	—	—	40.00	5.75	2.625 2.624	26.05	28.88	27.08	12.470 12.410	20.00	4.00 NPT
5013S	1.062 1.077	8.50	45.00	—	—	5.75	2.625 2.624	26.05	28.88	27.08	12.470 12.410	20.00	4.00 NPT

All dimensions are measured in inches. For “C” dimensions, refer to the appropriate catalog page. Certified drawings are available upon request - contact LEESON Electric for details.



DC Motors

Gearmotors

Ac / DC Controls

Accessories / Kits

Mods / Factory Options

X-Ref / Index

Tech Information

Terms / Warnings

Other Products

Terms and Conditions

TERMS AND CONDITIONS OF SALES QUOTATIONS ARE MADE AND ORDERS ARE ACCEPTED BY SELLER ONLY TO THESE TERMS AND CONDITIONS. THE SELLER FOR THESE TERMS AND CONDITIONS APPLY TO BOTH LEESON ELECTRIC AND LINCOLN MOTORS PRODUCTS:

1. AGREEMENT AND MODIFICATION OF SALES TERMS.

The agreement between Seller and Buyer ("Sales Contract") is with respect to the sale of goods described on the other side hereof (the "Goods"). Any Terms and Conditions contained in any purchase order or other form of communication from Seller's customers, which are additional to or different from these Terms and Conditions, shall be deemed rejected by Seller unless expressly accepted in writing by Seller.

2. ACCEPTANCE OF ORDERS.

Acceptance by Seller of Buyer's purchase order(s) is expressly conditioned upon Buyer's assent to these Terms and Conditions. Buyer will be deemed to have assented to such Terms and Conditions unless Seller receives written notice of any objections within 10 days after Buyer's receipt of this form or in all events prior to any delivery or other performance by Seller of Buyer's order.

3. QUOTATIONS.

Quotations by Seller shall be deemed to be offers by Seller to sell the Goods described therein subject to these Terms and Conditions, and acceptance of such offers is expressly limited to acceptance by Buyer of all of these Terms and Conditions within 30 days from the date of the quotation or as specified. Purchase orders submitted by Buyer for the Goods quoted by Seller shall be subject to and will be deemed to constitute acceptance of these Terms and Conditions. All purchase orders will be subject to approval by Seller.

4. TERMINATION OR MODIFICATION.

The Sales Contract may be modified or terminated only upon Seller's express written consent, which consent will at all times be conditioned on Buyer's agreement to pay Seller's modification or termination charges including, but not limited to expenses and costs plus a reasonable profit, except that any Goods completed on or before Seller's acceptance of termination shall be accepted and paid in full by Buyer.

5. PRICES AND TERMS.

Fulfillment of Buyer's order is contingent upon the availability of materials. The price of the Goods sold pursuant to the Sales Contract shall be based upon Seller's prices in effect at the time of shipment and any acceptance of the order will be on the basis of the freight rates in effect at the time of shipment. In the event of an increase or decrease in the applicable freight charges before the material is shipped, such changes in freight charges will be for the account of Buyer. Price advances, discounts, extras and terms and conditions are subject to changes without notice. Unless otherwise provided on the front side hereof, price is F.O.B. Seller's point of shipment, and terms of payment shall be net 30 days from date of invoice. Seller may assess finance and service charges of 1-1/2 percent per month (or the highest rate allowed by state law) on invoices not paid within stated payment terms. Open account credit status is offered at the discretion of the Seller. Seller may discontinue open account status or change credit limit as warranted, in its opinion, by the financial condition and/or credit history of the Buyer. Seller may require full or partial payment or payment guarantees in advance of shipment whenever, in its opinion, the financial condition and/or credit history of Buyer so warrants. In addition, Seller may, at any time, suspend performance of any order or require payment in cash, security or other adequate assurance satisfactory to Seller when, in Seller's opinion, the financial condition and/or credit history of Buyer warrants such action.

6. TAXES.

Prices do not include sales, use or other similar federal, state or local taxes. Buyer shall either have a tax-exemption certificate on file with the Seller or pay to Seller, in addition to the price of the Goods, any and all applicable taxes, which may be invoiced separately at a later date.

7. DESIGN; EXTRA WORK; BUYER'S MATERIAL.

(a) If any order accepted by Seller contemplates the preparation of special designs by Seller, Buyer issuing such order will have a responsible representative specifically approve all designs prepared by Seller. (b) If Buyer requests extra work not included in the quotation or original order, Buyer will pay for the extra work at reasonable rates as determined by Seller. (c) In the event spoilage/damage occurs on orders where Buyer furnishes any material, Seller shall not be liable for replacement of or damage to such material.

8. RISK OF LOSS, SECURITY INTEREST.

Delivery shall occur, and risk of loss shall pass to Buyer, upon delivery of the Goods to a carrier at the F.O.B. point of shipment. Transportation shall be at Buyer's sole risk and expense, and any claims for losses or damage in transit shall be against the carrier only. Buyer agrees to perform all acts necessary to provide a fully perfected security interest in the Goods in favor of Seller. Seller may, at its option, repossess the same, upon Buyer's default in payment hereunder, and charge Buyer with any deficiency.

9. DELIVERIES AND QUANTITIES.

(a) Delivery dates are not guaranteed but are estimated on the basis of immediate receipt by Seller of all information to be furnished by Buyer and the absence of delay, direct or indirect, resulting from or contributed to by circumstances beyond Seller's reasonable control. If the Goods are non-catalog Goods, Seller may ship overages or underages to the extent of 10 percent of quantity ordered, and Buyer shall pay for such quantity based upon the unit price of the Goods. Seller shall not be required to maintain closer control of quantity, unless specifically agreed to by Seller in writing. Quantities of all Goods may

be determined by weight. Any claims for shortage must be within 10 days from the date of receipt of the Goods by Buyer, and in every case the weights found in any particular shipment, including tare, must be given and Seller advised as to the method used by Buyer in computing the count of Goods. (b) In the event that Buyer is unable to accept delivery of the Goods at time of shipment, Seller shall invoice Buyer for the full purchase price as if shipment had been made and: (i) if Seller is able to store such Goods in its own facilities, Buyer will pay Seller the reasonable handling and storage charges for the period of such storage, and (ii) if Seller is unable to store such Goods at its own facility, Seller reserves the right to arrange handling and storage in a suitable bonded warehouse for the Buyer at Buyer's expense. In cases where handling and storage become necessary, it shall be Buyer's responsibility to notify Seller when shipment is to be made. Seller will make necessary arrangements for shipment at Buyer's expense. Freight and handling charges by Seller may not reflect actual freight charges prepaid to the carrier by Seller due to incentive discounts earned by Seller based upon Seller's aggregate volume of freight tendered to a carrier or when a carrier must be used which charges a rate which is different than the rate upon which the Seller's freight and handling charges were based. When shipments are delivered in Seller's private trucks, Buyer will be charged an amount approximating the prevailing common carrier rate.

10. RETURNED GOODS.

Goods may not be returned. However, if Seller consents in writing or upon verbal authorization to the return of Goods for any reason, Buyer, who also shall assume all risk of loss of such returned Goods until actual receipt by Seller, must prepay transportation charges.

11. INSPECTION, ACCEPTANCE.

Buyer shall inspect the Goods immediately upon the receipt thereof. All claims by Buyer (including claims for shortages), except only those provided for under the WARRANTY AND LIMITATIONS OF LIABILITY and PATENTS clauses below, must be asserted in writing by Buyer within a 10-day period or they are waived. If this contract involves partial performances, all such claims must be asserted within a 10-day period for each partial performance. Rejection may be only for defects substantially impairing the value of the Goods. Buyer's remedy for lesser defects shall be those provided for under the Warranty and Limitations of Liability clauses. THERE SHALL BE NO REVOCATION OF ACCEPTANCE. If Buyer wrongfully rejects, revokes or delays acceptance of items or work tendered under this contract, or fails to make a payment due on or before delivery, or repudiates this contract, Seller shall, at its option, have the right to recover as damages, either the price as stated herein (upon recovery of the price, the Goods involved shall become the property of the Buyer) or the profit (including reasonable overhead) which the Seller would make from performance together with incidental damages and reasonable costs.

12. WARRANTIES, LIMITATIONS OF LIABILITY AND DISCLAIMER.

(a) Seller warrants to the Buyer that its motors, gear reducers, gearmotors, gearboxes, DC controllers, and AC drives are free from defects in workmanship and materials when operated under normal conditions and in accordance with nameplate characteristic limits. This warranty shall be in effect for a period of 12 months from date of installation, but in no event be in effect for more than 18 months from date of manufacture, with the following exceptions: i) EPACT motors ("G" prefix), which are warranted for a period of 24 months from date of installation but for not more than 30 months from date of manufacture, ii) Wattsaver Premium Efficiency three phase motors and Speedmaster Inverter-Duty motors are warranted for a period of 36 months from the date of installation but for not more than 42 months from the date of manufacture, & iii) Motor brakes provided as coupler brakes, brake kits, or as part of brakemotors are covered by the manufacturers' (Stearns or Dings) warranties. Certain Goods are warranted for different periods of time under specific conditions. Buyer must consult the current product catalog or internet site to confirm this warranty period.

(b) Seller's sole obligation under the foregoing warranties is limited to either, at Seller's option, replacing or repairing defective Goods (or defective parts thereof) within the warranty period. Seller shall not be liable under any circumstances, for consequential or incidental damages, including, but not limited to personal injury or labor costs. This warranty does not cover the cost of removal, installation, or re-testing of the new or repaired Goods or parts, or any other direct or incidental expenses incurred in shipping the Goods to or from Seller. Replacement Goods or parts are warranted for the remainder of the warranty period applicable to the Goods originally supplied by Seller. All claims for allegedly defective Goods must be made within 10 days after Buyer learns of such alleged defects. All claims not made in writing and received by Seller within such 10-day period shall be deemed waived. With prior approval from Seller, Buyer shall return a sample of the alleged defective part, freight prepaid, for Seller's inspection, and no other Goods shall be returned to Seller's District Office/Warehouse, nearest factory, or Authorized Service Center without Seller's written consent. This warranty shall not extend to Goods subjected to misuse, abuse, neglect, accident or improper installation or maintenance, incorrect lubrication, incorrect electrical connection, improper power supply, or Goods which have been altered or repaired by anyone other than Seller or its authorized representative.

(c) Under no circumstances will Seller be responsible for any expense in connection



with any repairs made by anyone other than Seller or an Authorized Service Center, unless such repairs have been specifically authorized in writing by the Seller Service and Warranty Department.

(d) In the case of motors, drives, gears and reducers manufactured or marketed by Seller, Seller warrants only that such Goods, when shipped, shall be capable of delivering the service rating as indicated in Seller's written documents, including quotations and catalogs or as noted on such Goods, providing such Goods are properly installed, connected, and maintained, correctly lubricated, operating under normal conditions with competent supervision, and within the load limits and voltage range for which it was sold, and provided further that the equipment is free from critical speed, torsional or other type vibration, no matter how induced.

(e) If any prototype or sample was provided to the Buyer, it was used merely to illustrate the general type and quality of Goods and not to warrant that Goods shipped would be of that type or quality.

(f) UNLESS AUTHORIZED IN WRITING BY A CORPORATE OFFICER OR VICE PRESIDENT, NO AGENT, EMPLOYEE OR REPRESENTATIVE OF SELLER HAS ANY AUTHORITY TO BIND SELLER TO ANY AFFIRMATION, REPRESENTATION OR WARRANTY CONCERNING THE GOODS SOLD UNDER THE SALES CONTRACT AND ANY SUCH AFFIRMATION, REPRESENTATION OR WARRANTY HAS NOT FORMED A PART OF THE BASIS OF THE BARGAIN AND SHALL BE UNENFORCEABLE.

(g) THE FOREGOING WARRANTIES ARE EXCLUSIVE AND IN LIEU OF ALL OTHER WARRANTIES OF MERCHANTABILITY, FITNESS FOR A PARTICULAR PURPOSE AND/OR ANY OTHER TYPE, WHETHER EXPRESS OR IMPLIED.

(h) Products not manufactured and work not performed by Seller are warranted only to the extent and in the manner that the same are warranted to Seller by Seller's vendors, and then only to the extent that Seller is reasonably able to enforce such warranty. In enforcing such warranty, it is understood Seller shall have no obligation to initiate litigation unless Buyer undertakes to pay all costs and expenses therefor, including but not limited to reasonable attorney's fees, and indemnifies Seller against any liability to Seller's vendors arising out of such litigation.

(i) THE FOREGOING IS SELLER'S ONLY OBLIGATION AND BUYER'S EXCLUSIVE REMEDY FOR BREACH OF WARRANTY. BUYER'S FAILURE TO SUBMIT A CLAIM AS PROVIDED ABOVE SHALL SPECIFICALLY WAIVE ALL CLAIMS FOR DAMAGES OR OTHER RELIEF INCLUDING BUT NOT LIMITED TO CLAIMS BASED ON LATENT DEFECTS. EVEN IF THE REPAIR OR REPLACEMENT REMEDY SHALL BE DEEMED TO HAVE FAILED OF ITS ESSENTIAL PURPOSE UNDER SECTION 2-719 OF THE UNIFORM COMMERCIAL CODE, SELLER SHALL HAVE NO LIABILITY TO BUYER FOR CONSEQUENTIAL DAMAGES, SUCH AS LOST PROFITS, LOST REVENUE, DAMAGE TO OTHER EQUIPMENT OR LIABILITY OR INJURY TO A THIRD PARTY. IN NO EVENT SHALL BUYER BE ENTITLED TO INCIDENTAL, CONSEQUENTIAL, OR SPECIAL DAMAGES, NOR SHALL SELLER'S LIABILITY EXCEED THE PURCHASE PRICE OF THE GOODS. ANY ACTION ARISING HEREUNDER OR RELATED HERETO MUST BE COMMENCED WITHIN ONE (1) YEAR AFTER THE CAUSE OF ACTION OCCURS OR IT SHALL BE BARRED, NOTWITHSTANDING ANY STATUTORY PERIOD OF LIMITATIONS TO THE CONTRARY.

(j) In the event of the resale of any of the Goods, in whatever form, Buyer will include the following language in a conspicuous place and in a conspicuous manner in a written agreement covering such resale: "THE MANUFACTURER MAKES NO WARRANTIES OR REPRESENTATIONS, EXPRESS OR IMPLIED, BY OPERATION OF LAW OR OTHERWISE, AS TO THE MERCHANTABILITY OR FITNESS FOR A PARTICULAR PURPOSE OF THE GOODS SOLD HEREUNDER. BUYER ACKNOWLEDGES THAT IT ALONE HAS DETERMINED THAT THE GOODS PURCHASED HEREUNDER WILL SUITABLY MEET THE REQUIREMENTS OF THEIR INTENDED USE. IN NO EVENT WILL MANUFACTURER BE LIABLE FOR CONSEQUENTIAL, INCIDENTAL OR OTHER DAMAGES."

(k) Nuclear Use Disclaimer - Goods sold by Seller are not intended for use in connection with any nuclear facility or activity. If so used, Seller disclaims all liability for any nuclear damage, injury or contamination, and Buyer shall indemnify and hold Seller, its officers, agents, employees, successors, assigns and customers harmless from and against any and all losses, damages or expenses of whatever form or nature (including attorneys' fees and other costs of defending any action) which they or any of them may sustain or incur, whether as a result of breach of contract, warranty, tort (including negligence) or otherwise, by reason of such use.

13. REMEDIES AND LIMITATIONS OF LIABILITY.

In the event Buyer claims Seller has breached any of its obligations under the Sales Contract, whether of warranty or otherwise, Seller may request the return of Goods and tender to Buyer, at Seller's option, a replacement shipment of Goods. If Seller so requests the return of the Goods, the Goods will be redelivered to Seller in accordance with Seller's instructions and at Buyer's expense. Except as herein provided, Seller shall have no further obligation under the Sales Contract. The remedies contained in this paragraph and paragraph 12 hereof shall constitute the sole recourse of Buyer against Seller for breach of any of Seller's obligations under the Sales Contract, whether warranty or otherwise.

14. TECHNICAL ADVICE.

Any technical advice furnished or recommendation made by Seller or any representative of Seller concerning any use or application of any of the Goods is believed to be reliable, but SELLER MAKES NO WARRANTY, EXPRESSED OR IMPLIED, ON RESULTS TO

BE OBTAINED. BUYER ASSUMES ALL RESPONSIBILITY FOR LOSS OR DAMAGE RESULTING FROM THE HANDLING OR USE OF ANY OF THE GOODS.

15. FORCE MAJEURE.

Seller shall not be liable for failure to perform its obligations under the Sales Contract in whole or in part caused by the occurrence of any contingencies beyond the reasonable control either of Seller or of suppliers of Seller. If any such contingency occurs, Seller may allocate Goods and deliveries among Seller's customers.

16. ASSIGNMENT AND DELEGATION.

No right or interest in the Sales Contract shall be assigned by Buyer without Seller's prior written consent, and no delegation of any obligation owed, or to the performance of any obligation by Buyer shall be made without Seller's prior written consent. Any attempt at assignment or delegation shall be wholly void and totally ineffective for all purposes unless made in conformity with this paragraph.

17. PATTERNS AND TOOLING.

Unless otherwise agreed to in writing with Buyer, Seller shall retain title to and possession of all special tooling, patterns and dies whether paid for by Buyer or not, but such special tooling, patterns and dies that are specifically paid for by Buyer will be held by Seller exclusively for the manufacture of Buyer's Goods for not more than 2 years after the date of Buyer's last order requiring their use. Seller will exercise reasonable care in handling and storing any tooling, patterns or dies specifically paid for by Buyer, but Seller shall not be liable for damage or loss thereof.

18. PATENTS. SELLER MAKES NO REPRESENTATION OR WARRANTY WITH RESPECT TO THE PATENTABILITY OF THE GOODS OR THAT ANY OF THE GOODS WILL BE FREE FROM CLAIMS OF INFRINGEMENT.

Buyer agrees to indemnify and defend Seller in any such suit, action or proceeding for any claim resulting from actual or alleged infringement of any domestic or foreign letters patent for (i) any feature, construction or design incorporated at Buyer's request in any Goods or to adapt such Goods to the particular use of Buyer or Buyer's customers or (ii) any additions, changes or adaptations made by Buyer or Buyer's customers after delivery of the Goods.

19. CONFIDENTIAL INFORMATION.

All drawings, diagrams, specifications, technical data and other materials furnished by Seller and identified by Seller as confidential are and shall remain the exclusive property of Seller and shall be returned to Seller upon request. Buyer agrees to treat such information and material as confidential and not to reproduce or disclose such information or materials without Seller's prior written consent. This paragraph does not apply to any information already known to and readily accessible in the trade or which may become so through no fault of Buyer.

20. CHANGES.

Seller may, at any time, without notice, make changes (whether in design, material, improvements or otherwise) in any catalog Goods, and may discontinue the manufacture of any catalog Goods, all in its sole discretion, without incurring any obligations of any kind as a result thereof, whether for failure to fill an order of Buyer or otherwise.

21. CANCELLATION.

The Buyer may not cancel purchase orders without the prior written consent of Seller. This consent will be conditioned on Buyer's agreement to pay Seller's cancellation charges. Purchase orders for Goods that are substantially complete, as judged by Seller, may not be cancelled and will be shipped and invoiced at the price on the order. For Goods that are not substantially complete, the cancellation charge shall amount to all costs and expenses incurred by Seller and arising out of or in connection with Buyer's order, net of recoverability, but in no event less than 10% of the total invoice price of the equipment or more than the total invoice price.

22. INSTALLATION.

Installation of the Goods shall be by Buyer unless otherwise specifically stated in the Sales Contract.

23. SEVERABILITY.

If any term or provision contained in the Sales Contract is declared or held invalid by a court of competent jurisdiction, such declaration or holding shall not affect the validity of any other term, clause or provision contained herein.

24. GOVERNING LAW AND LIMITATION.

(a) These Terms and Conditions, and the contract of sale between Seller and Buyer, shall be governed by and construed in accordance with the laws of the State of Wisconsin. Seller and Buyer hereby agree that any legal action deemed necessary by either party hereto shall be brought in the Circuit Court in and for Ozaukee County, Wisconsin and hereby consent to the personal jurisdiction of such court in any such action over the parties hereto. The rights and obligations of Seller and Buyer shall not be governed by the provisions of the United Nations Convention on Contracts for the International Sale of Goods.

(b) Attorney's Fees - Buyer agrees to pay all of Seller's costs and expenses of collection and litigation, including but not limited to attorneys' fees and costs.

(c) Applicability - The Terms and Conditions as stated herein are applicable as of the date of this printing and until such time as changed by Seller.

DC Motors

Gearmotors

Ac / DC Controls

Accessories / Kits

Mods / Factory Options

X-Ref / Index

Tech Information

Terms / Warnings

Other Products






Warnings and Cautions


Electrical

IMPORTANT INFORMATION PLEASE READ CAREFULLY

This catalog is not intended to provide operational instructions. Appropriate LEESON Electric instructions provided with the motor and precautions attached to the motor should be read carefully prior to installation, operation and/or maintenance of the equipment. Injury to personnel or motor failure may be caused by improper installation, maintenance or operation.

The following  **WARNING** and  **CAUTION** information is supplied to you for your protection and to provide you with many years of trouble free and safe operation of your LEESON Electric product:

-  **WARNING**
- Disconnect power and lock out driven equipment before working on a motor.
 - Always keep hands and clothing away from moving parts.
 - The lifting support on the motor is not to be used to lift the entire machine. Only the motor attached directly to the support may be safely lifted by the support.
 - Install and ground per local and national codes.
 - Discharge all capacitors before servicing a single phase motor.
 - Misapplication of a motor in hazardous environments can cause fire or an explosion and result in serious injury. Only the end user, local authority having jurisdiction, and/or insurance underwriter are qualified to identify the appropriate class(es), group(s), division and temperature code LEESON Electric personnel cannot evaluate or recommend what motors may be suitable for use in hazardous environments. If a motor is name plated for hazardous locations, do not operate the motor without all of the grease and drain plugs installed.
 - Never attempt to measure the temperature rise of a motor by touch. Temperature rise must be measured by thermometer, resistance, imbedded detector or thermocouple.
 - Motors with automatic reset thermal protectors will automatically restart when the protector temperature drops sufficiently. Do not use motors with automatic reset thermal protectors in applications where automatic restart will be hazardous to personnel or equipment.
 - Motors with manual reset thermal protectors may start unexpectedly after the protector trips when the surrounding air is at +20° Fahrenheit or lower. If the manual reset protector trips, disconnect motor from its power supply. After the protector cools (five minutes or more), it can be reset and power may be applied to the motor.
 - Connect all protective device leads, marked P1, P2, etc., per instructions supplied with the motor.
 - Operation of a motor at other than its nameplate rating may result in fire, damage to equipment or serious injury to personnel.
 - For safety, Buyer or User should provide protective guards over all shaft extensions and any moving apparatus mounted thereon. The User is responsible for checking all applicable safety codes in his area and providing suitable guards. Failure to do so may result in bodily injury and/or damage to equipment.

-  **CAUTION**
- Consult qualified personnel with questions and all electrical repairs must be performed by trained and qualified personnel only.
 - For motors nameplated as "belted duty only", do not operate the motor without belts properly installed.
 - Motors and/or driven equipment should not be operated faster than their rated speed.
 - For inverter applications, follow the inverter manufacturer's installation guidelines.
 - Make sure the motor is properly secured and aligned before operation.

In the event of the resale of any of the goods, in whatever form, Resellers/Buyers will include the following language in a conspicuous place and in a conspicuous manner in a written agreement covering such sale:

The manufacturer makes no warranty or representations, express or implied, by operation of law or otherwise, as to the merchantability or fitness for a particular purpose of the goods sold hereunder. Buyer acknowledges that it alone has determined that the goods purchased hereunder will suitably meet the requirements of their intended use. In no event will the manufacturer be liable for consequential, incidental or other damages. Even if the repair or replacement remedy shall be deemed to have failed of its essential purpose under Section 2-719 of the Uniform Commercial Code, the manufacturer shall have no liability to Buyer for consequential damages.

Resellers/Buyers agree to also include this entire document including the warnings and cautions above in a conspicuous place and in a conspicuous manner in writing to instruct users on the safe usage of the product.

This information should be read together with all other printed information supplied by LEESON Electric.

For more information contact: LEESON Electric, 2100 Washington Street, Grafton, Wisconsin 53024
Phone: 262-377-8810 or Fax: 262-377-3440



Continued On Next Page

DC Motors
Gearmotors
AC / DC Controls
Accessories / Kits
Mods / Factory Options
X-Ref / Index
Tech. Information
Terms / Warnings
Other Products

IMPORTANT INFORMATION

PLEASE READ CAREFULLY

The following  **WARNING** and  **CAUTION** information is supplied to you for your protection and to provide you with many years of trouble free and safe operation of your LEESON Electric product:

Read ALL instructions prior to operating reducer. Injury to personnel or reducer failure may be caused by improper installation, maintenance or operation.

 **WARNING**

- Written authorization from LEESON Electric is required to operate or use reducers in man lift or people moving devices.
- Check to make certain application does not exceed the allowable load capacities published in the current catalog.
- Buyer shall be solely responsible for determining the adequacy of the product for any and all uses to which Buyer shall apply the product. The application by Buyer shall not be subject to any implied warranty of fitness for a particular purpose.
- For safety, Buyer or User should provide protective guards over all shaft extensions and any moving apparatus mounted thereon. The User is responsible for checking all applicable safety codes in his area and providing suitable guards. Failure to do so may result in bodily injury and/or damage to equipment.
- Hot oil and reducers can cause severe burns. Use extreme care when removing lubrication plugs and vents.
- Make certain that the power supply is disconnected before attempting to service or remove any components. Lock out the power supply and tag it to prevent unexpected application of power.
- Reducers are not to be considered fail safe or self-locking devices. If these features are required, a properly sized, independent holding device should be utilized. Reducers should not be used as a brake.
- Any brakes that are used in conjunction with a reducer must be sized or positioned in such a way so as to not subject the reducer to loads beyond the catalog rating.
- Lifting supports including eyebolts are to be used for vertically lifting the gearbox only and no other associated attachments or motors.
- Use of an oil with an EP additive on units with backstops may prevent proper operation of the backstop. Injury to personnel, damage to the reducer or other equipment may result.
- Overhung loads subject shaft bearings and shafts to stress which may cause premature bearing failure and/or shaft breakage from bending fatigue, if not sized properly.

 **CAUTION**

- Test run unit to verify operation. If the unit tested is a prototype, that unit must be of current production.
- If the speed reducer cannot be located in a clear and dry area with access to adequate cooling air supply, then precautions must be taken to avoid the ingestion of contaminants such as water and the reduction in cooling ability due to exterior contaminants.
- Mounting bolts should be routinely checked to ensure that the unit is firmly anchored for proper operation.

In the event of the resale of any of the goods, in whatever form, Resellers/Buyers will include the following language in a conspicuous place and in a conspicuous manner in a written agreement covering such sale:

The manufacturer makes no warranties or representations, express or implied, by operation of law or otherwise, as to the merchantability or fitness for a particular purpose of the goods sold hereunder. Buyer acknowledges that it alone has determined that the goods purchased hereunder will suitably meet the requirements of their intended use. In no event will the manufacturer be liable for consequential, incidental or other damages. Even if the repair or replacement remedy shall be deemed to have failed of its essential purpose under Section 2-719 of the Uniform Commercial Code, the manufacturer shall have no liability to Buyer for consequential damages.

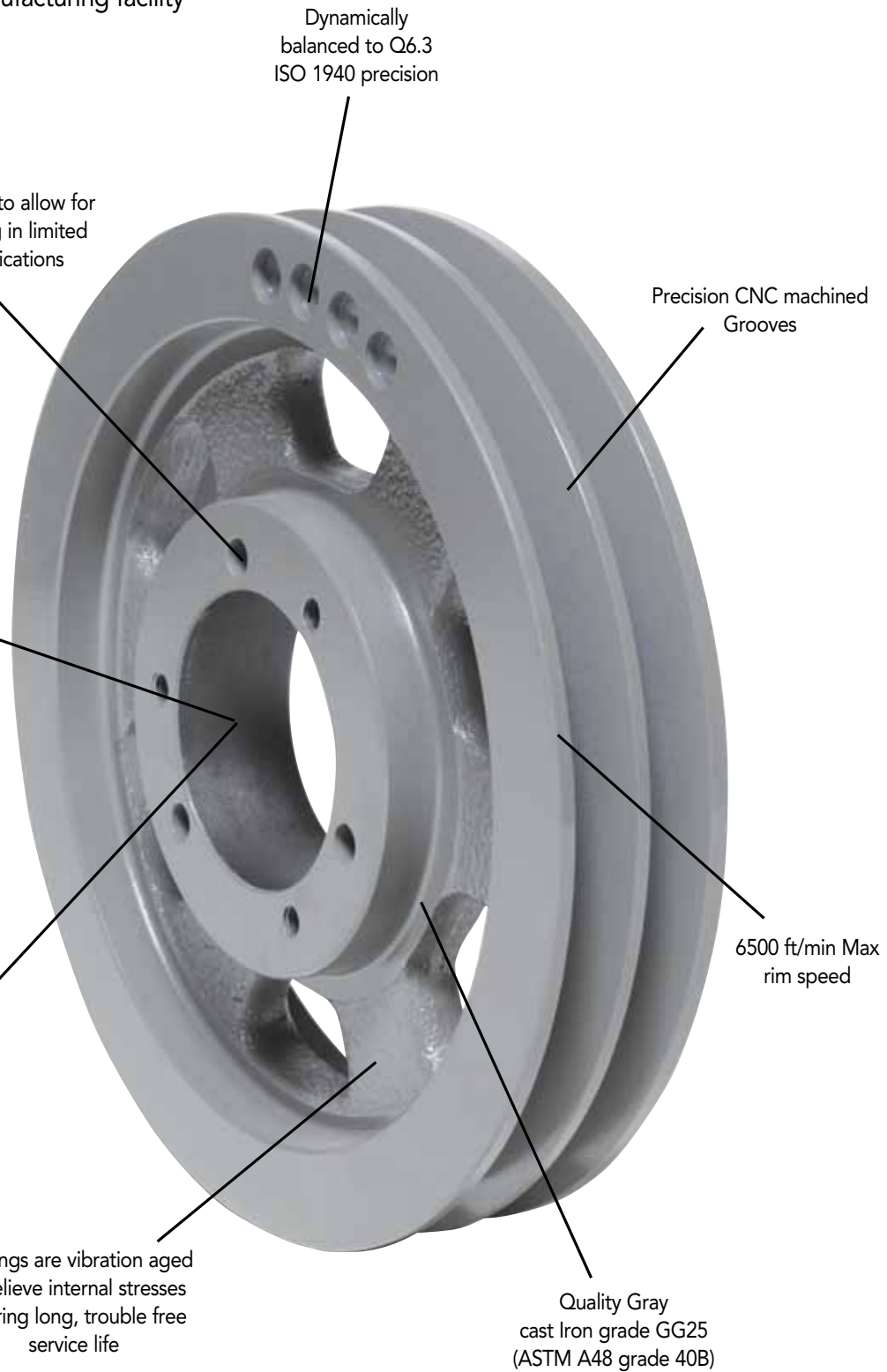
Resellers/Buyers agree to also include this entire document including the warnings and cautions above in a conspicuous place and in a conspicuous manner in writing to instruct users on the safe usage of the product.

This information should be read together with all other printed information supplied by LEESON Electric.



INDUSTRY STANDARD POWER TRANSMISSION SOLUTIONS!

ISO9001 certified manufacturing facility



DC Motors
Gearmotors
AC / DC Controls
Accessories / Kits
Mods / Factory Options
X-Ref / Index
Tech. Information
Terms / Warnings
Other Products

STANDARDIZED TAPER BUSHINGS & SHEAVES FOR ALL YOUR POWER TRANSMISSION NEEDS!

Full split allowing the bushing to compress evenly throughout the bushing length for a secure, even fit

Made from GGG40 ductile iron, precision machined and phosphate coated

Precision machined taper insuring a snug, concentric fit with the sheave. Powerplus+ bushings & sheaves run true.

Set screw over the key secures key in place. Especially helpful for vertical shaft down applications (Not available on smaller bushings, see catalog for detail)

Castings are vibration aged to relieve internal stresses insuring long, trouble free service life

2 sets of mounting holes to insure easy installation and removal. Use the thru holes to draw the bushing tight, use the threaded holes to push the bushing off the sheave.

Industry standard taper design insures interchangeability



Supplied with all necessary mounting hardware including 12.9 grade UNC bolts, Lock washers, set screws and shaft key

DC Motors
Gearmotors
Ac / DC Controls
Accessories / Kits
Mods / Factory Options
X-Ref / Index
Tech Information
Terms / Warnings
Other Products

LEESON University.
It's everything you need to know.

Subjects Covered:

One Regal Overview

AC Electric Motor Principles

DC Electric Motor Principles

PMAC Electric Motor Principles

Motor Applications

Power Transmission

Gear Reducer Principles

LEESON.com review

Manufacturing Plant Workshop

Contact your local LEESON Sales office for more information



District Sales Offices and Warehouses

LEESON District Sales Offices & Warehouses can provide complete information including price and availability on both standard stock and special motors.

United States

- ARKANSAS, Little Rock**
District Mgr.,
Kevin Springstead
972/245-2017
Fax: 972/245-2328
- **CALIFORNIA, Los Angeles**
Co-District Mgrs.,
Felix Wilson,
Oswald Aguirre
323/278-7979
Fax: 323/278-7955
- **CALIFORNIA, San Francisco**
District Mgr.,
Dave Richardson
925/371-8125
Fax: 925/371-5673
- **COLORADO, Denver**
District Mgr.,
Kevin Springstead
800/444-7609
Fax: 972/245-2328
- **CONNECTICUT, Hartford / Metro Boston, MA**
District Mgr.,
Dave Manning
888/479-7875
Fax: 508/987-1173
- **FLORIDA, Tampa**
District Mgr.,
Bill Taylor
813/740-2571
Fax: 813/663-9104
- **GEORGIA, Atlanta**
District Mgr.,
Walter Brooks
770/933-0453
Fax: 770/933-0549
- **ILLINOIS, Chicago**
Co District Mgrs.,
Mike Miller,
Robert Sheppard
630/458-9511
Fax: 630/458-1923
- **INDIANA, Indianapolis**
District Mgr.,
Matt Simko
800/331-2911
Fax: 440/975-3575
- **IOWA, Des Moines**
District Mgr.,
John Marshalla
952/935-8271
Fax: 952/935-8399
- **KANSAS, Kansas City**
District Mgr.,
Pat Donnelly
913/599-6983
Fax: 913/599-6987
- **MARYLAND/Baltimore**
District Mgr., Craig Brisbane
570/325-3684
Fax: 570/325-3870
- **MICHIGAN, Grand Rapids**
District Mgr.,
Greg Norris
616/249-8430
Fax: 616/249-8628
- **MINNESOTA, Minneapolis**
District Mgr., John Marshalla
952/935-8273
Fax: 952/935-8399
- **MISSOURI, St. Louis**
District Managers
Pat and Ken Anvender
314/714-1460
Fax: 314/714-1461
- NEW JERSEY/METRO NEW YORK/LONG ISLAND**
(Plainfield, NJ 18229)
Contact: Dave Beck
570/325-3684
Fax: 570/325-3870
- **NEW YORK, Syracuse**
District Mgr.,
Chris Brisbane
866/505-8796
Fax: 570/325-3870
- **NORTH CAROLINA, Charlotte**
District Mgrs.,
Steve McAbee
and Doug Landgraf
803/396-8200
Fax: 803/396-8208
- **OHIO, Cincinnati**
District Mgr., Ken Simko
513/755-1000
Fax: 513/755-1081
- **OHIO, Cleveland**
District Mgr., Matt Simko
440/951-5117
Fax: 440/975-3575
800/331-2911 (W.PA, WV)
- **PENNSYLVANIA, Allentown/Philadelphia**
District Mgr.,
Craig Brisbane
570/325-3684
Fax: 570/325-3870
- **TEXAS, Dallas**
District Mgr., Homer Rodden,
Kevin Springstead
972/245-2017
Fax: 972/245-2328
- **TEXAS, Houston**
Contact,
Donnie Heckler
713/952-5337
Fax: 972/245-2328
- **UTAH, Salt Lake City**
District Mgr.,
Kevin Springstead
800/444-7609
Fax: 972/245-2328
- **WASHINGTON, Seattle**
District Mgr.,
Amorette Gent
425/775-3504
Fax: 425/775-6706
- **WISCONSIN, Milwaukee**
Co-District Mgrs.,
Brian Birtic and Mark Ziegler
414/475-9222
Fax: 414/475-9267

International

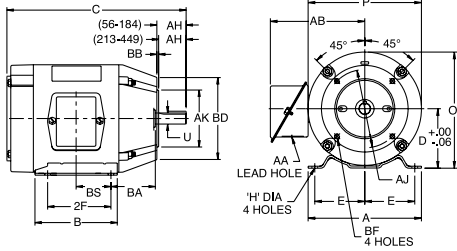
- International Sales Administrator,
Sue Kastner
WISCONSIN, Grafton
(+1) 262/377-8810
Fax: (+1) 262/377-3440
- **ASIA**
Mr. William Chua
12 Tuas Loop
Singapore 637346
(+65) 6863-3473
Fax: (+65) 6863-3476
- **CENTRAL AMERICA, SOUTH AMERICA & CARIBBEAN FLORIDA, Miami**
(+1) 305/220-4423
Fax: (+1) 305/220-5945
- **EUROPE**
Mr. Ole Bakker
Mors 1-5, Eibergen
Netherlands 7151MX
Mobile: (+31) 6-13-12-15-92
(+31) 545-46-46040
Fax: (+31) 545-47-50-65
ole.bakker@regalbeloit.com
- **MIDDLE EAST**
Mr. P. Mathivanan
PO Box No 1085, PC: 114
Muscat OMAN
(+968) 92192416
Fax: (+968) 24789519
- **UNITED KINGDOM**
Ms. Magda Bartosova
Rotor UK Ltd
16 Everitt Close
Denington Industrial Estate
Wellingborough UK NN8 2QF
(+44) 1933-230900
Fax: (+44) 1933-272152
- **ALBERTA, Edmonton**
Branch Mgr.,
Mike Strenkowski
780/437-3380
Fax: 780/434-3448
- **BRITISH COLUMBIA, Vancouver**
Branch Mgr.,
Keary Bott
9087A - 198 Street
888-599-1177
Fax: 604-888-0337
- **MANITOBA, Winnipeg**
Branch Mgr.,
Charlie Vogel
204/786-6802
Fax: 204/786-6934
- **NEW BRUNSWICK, Moncton**
Branch Mgr.,
Ken Sheehan
506/383-8883
Fax: 506/383-8887
- **ONTARIO, Toronto**
National Sales Mgr.,
Michael Tough
905/670-4770
Fax: 905/670-8971
- **ONTARIO, Hanover**
Branch Mgr.,
Doug Stafford
800/463-1797
Fax: 800/225-9007
- **QUEBEC, Candiac**
Branch Mgr.,
Michael Jenkins
275 Liberte
514/337-8020
Fax: 514/337-0773

Footnotes

S	Steel frame	26	Shaft is 1/2" Dia. X 1 1/2" long with flat
A	Aluminum frame	27	Shaft is 5/8" Dia. X 1.97" long with 3/16" keyway
C	Cast Iron frame	28	1/4" long extended through-bolts
US	Made in the USA	29	IEC Frame - See IEC dimension chart in back of catalog for dimension information
MX	Made in Mexico	30	CW rotation only, from lead end of motor
CA	Made in Canada	31	For motors having a "P" suffix letter in the date code
CN	Made in China	32	Motor has terminal board connection
2	These combination 56H base motors have mounting holes for 56 and 143-5T, and 1/2 diameter shaft with flat 1.5" long	33	Automatic overload - cannot use with VFD
3	Combination 56 H base has mounting holes for NEMA 56 and 143-5T and a standard NEMA 145T frame shaft of 7/8" Dia.	34	1" long extended through-bolts
4	These motors have a NEMA 215T base mounting pattern and shaft height of 5.25", with usable length of 3 3/8 and diameter of 1 1/8 with standard key	35	Terminal studs at 12:00
5	Combination 56 H base has mounting holes for NEMA 56, and has a standard NEMA 145T frame shaft of 7/8" Dia.	36	Special BA dimension 2.31 for belt guard clearance
6	Combination 56H base has mounting holes for NEMA 56 and NEMA 143-5T and a standard NEMA 56 shaft of 5/8"	37	Uses drip cover kit 175305.00
7	48YZ motors have std. 48-frame base with 1/2" dia. X 1 7/8 long shaft ext. with flat. Also includes sleeve to convert shaft to 5/8" dia. With 3/16" square key"	38	Uses drip cover kit 175004.00
8	NEMA 145TC shaft, 7/8" X 2 1/4" and NEMA 56 removable base	39	Uses drip cover kit 175932.00
9	S56CZ motors have mounting bases with NEMA 56 mounting holes, NEMA 56/143-5T C-face and a NEMA 143-5T shaft extension (7/8" dia x 2 1/4" long)	40	Uses drip cover kit 175933.00
10	Motor has mounting base with 182T mounting holes, shaft height is 4.5". Shaft is std. NEMA 56-5/8" dia. X 1 7/8 long	41	Uses drip cover kit 175846.00
11	TEBC totally enclosed blower cooled	42	Uses drip cover kit 175849.00
12	TENV totally enclosed non-vented	43	Uses drip cover kit 175962.00
13	TEFC totally enclosed fan cooled	44	Uses drip cover kit 175963.00
14	F1 mounting only	45	Uses drip cover kit 175614.00
15	Built-in conduit box located at 12:00	46	50 Hz operation at rated HP
16	1/2" diameter shaft - 2 1/4" long	47	Rated at 50Hz at full rated HP
17	5/8" diameter shaft - 2 5/8" long	48	190/380V, 50Hz at next lowest HP @1.15 S.F.
18	Shaft extension has keyway and flat 180° apart for ease of mounting	49	Class F insulated
19	Shaft is 5/8" Dia.by 2.0" long	50	Suitable for single speed operation only
20	Shaft is 5/8" Dia.by 2 5/8" long	51	Mechanical centrifugal starting switch with overspeed protection, others have electronic start switch
21	Shaft is 3/4" Dia.by 3 1/2" long	52	Extra high starting torque
22	Standard 5/8" diameter shaft with keyway plus 3/4" deep hole drilled and tapped to 1/4-20 UNC in end of shaft to facilitate mounting of some fan blades	53	Capacitor start/capacitor run design for reduced amperage, others are capacitor start/induction run
23	Standard 7/8" diameter shaft with keyway plus 3/4" deep hole drilled and tapped to 1/4-20 UNC in end of shaft to facilitate mounting of some fan blades	54	Split phase start, capacitor run is suitable for belt drive within the airflow of the fan
24	Motor's shaft is 1 inch longer than standard	55	Split phase start, capacitor run
25	Shaft extension has keyway and flat 180° apart for ease of mounting. Useable shaft is 1 1/2" long by 1/2 Dia., 1/8" keyway	56	Designed for inverter duty operation
		57	Rated for farm duty service
		58	Provision for belly band mount, no base
		59	Resilient base with provision for belly band mount
		60	Rigid base
		61	Nema 145TC face mounting with removable NEMA 182T rigid base
		62	Provision for belly band and pedestal fan mounting, no rigid base
		63	Resilient base

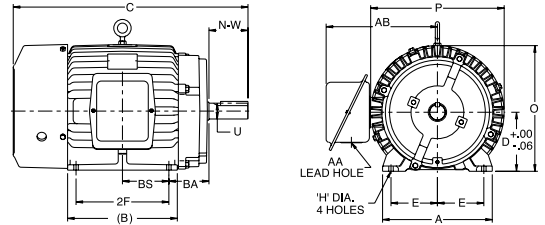
NEMA Quick Reference Dimensional Chart

Typical C-Face Motor



NEMA C-Face	BA Dimensions
143-5TC	2-3/4
182-4TC	3-1/2
213-5TC	4-1/4
254-6TC	4-3/4

Typical Rigid Base Motor



Contact your LEESON sales representative for "AB", "O", & "P" Dimensions.

Refer to your LEESON catalog for "C" Dimensions.

Frame	D	E	2F	H	U	N-W	AA	AH	AJ	AK	BA	BBk (MIN)	BD (MAX)	BF
48	3.00	2.12	2.75	.34 SLOT	.5000	1.50	1/2	1.69	3.750	3.000	2.50	.13	5.62	1/4-20
56	3.50	2.44	3.00	.34 SLOT	.6250	1.88	1/2	2.06	5.875	4.500	2.75	.13	6.50	3/8-16
56H	3.50	2.44	5.00	.34 SLOT	.6250	1.88	1/2	2.06	5.875	4.500	2.75	.13	6.50	3/8-16
143T	3.50	2.75	4.00	.34	.8750	2.25	3/4	2.12	5.875	4.500	2.25	.13	6.50	3/8-16
145T	3.50	2.75	5.00	.34	.8750	2.25	3/4	2.12	5.875	4.500	2.25	.13	6.50	3/8-16
182	4.50	3.75	4.50	.41	.8750	2.25	3/4	2.12	5.875	4.500	2.75	.13	6.50	3/8-16
184	4.50	3.75	5.50	.41	.8750	2.25	3/4	2.12	5.875	4.500	2.75	.13	6.50	3/8-16
182T	4.50	3.75	4.50	.41	1.125	2.75	3/4	2.62	7.250	8.500	2.75	.25	9.00	1/2-13
184T	4.50	3.75	5.50	.41	1.125	2.75	3/4	2.62	7.250	8.500	2.75	.25	9.00	1/2-13
213	5.25	4.25	5.50	.41	1.125	3.00	1	2.75	7.250	8.500	3.50	.25	9.00	1/2-13
215	5.25	4.25	7.00	.41	1.125	3.00	1	2.75	7.250	8.500	3.50	.25	9.00	1/2-13
213T	5.25	4.25	5.50	.41	1.375	3.38	1	3.12	7.250	8.500	3.50	.25	9.00	1/2-13
215T	5.25	4.25	7.00	.41	1.375	3.38	1	3.12	7.250	8.500	3.50	.25	9.00	1/2-13
254U	6.25	5.00	8.25	.53	1.375	3.75	1-1/4	3.50	7.250	8.500	4.25	.25	10.00	1/2-13
256U	6.25	5.00	10.00	.53	1.375	3.75	1-1/4	3.50	7.250	8.500	4.25	.25	10.00	1/2-13
254T	6.25	5.00	8.25	.53	1.625	4.00	1-1/4	3.75	7.250	8.500	4.25	.25	10.00	1/2-13
256T	6.25	5.00	10.00	.53	1.625	4.00	1-1/4	3.75	7.250	8.500	4.25	.25	10.00	1/2-13
284U	7.00	5.50	9.50	.53	1.625	4.88	1-1/2	4.62	9.000	10.500	4.75	.25	11.25	1/2-13
286U	7.00	5.50	11.00	.53	1.625	4.88	1-1/2	4.62	9.000	10.500	4.75	.25	11.25	1/2-13
284T	7.00	5.50	9.50	.53	1.875	4.62	1-1/2	4.38	9.000	10.500	4.75	.25	11.25	1/2-13
286T	7.00	5.50	11.00	.53	1.875	4.62	1-1/2	4.38	9.000	10.500	4.75	.25	11.25	1/2-13
284TS	7.00	5.50	9.50	.53	1.625	3.25	1-1/2	3.00	9.000	10.500	4.75	.25	11.25	1/2-13
286TS	7.00	5.50	11.00	.53	1.625	3.25	1-1/2	3.00	9.000	10.500	4.75	.25	11.25	1/2-13
324U	8.00	6.25	10.50	.66	1.875	5.62	2	5.38	11.000	12.500	5.25	.25	14.00	5/8-11
326U	8.00	6.25	12.00	.66	1.875	5.62	2	5.38	11.000	12.500	5.25	.25	14.00	5/8-11
324T	8.00	6.25	10.50	.66	2.125	5.25	2	5.00	11.000	12.500	5.25	.25	14.00	5/8-11
326T	8.00	6.25	12.00	.66	2.125	5.25	2	5.00	11.000	12.500	5.25	.25	14.00	5/8-11
324TS	8.00	6.25	10.50	.66	1.875	3.75	2	3.50	11.000	12.500	5.25	.25	14.00	5/8-11
326TS	8.00	6.25	12.00	.66	1.875	3.75	2	3.50	11.000	12.500	5.25	.25	14.00	5/8-11
364U	9.00	7.00	11.25	.66	2.125	6.38	2-1/2	6.12	11.000	12.500	5.88	.25	14.00	5/8-11
365U	9.00	7.00	12.25	.66	2.125	6.38	2-1/2	6.12	11.000	12.500	5.88	.25	14.00	5/8-11
364T	9.00	7.00	11.25	.66	2.375	5.88	2-1/2	5.62	11.000	12.500	5.88	.25	14.00	5/8-11
365T	9.00	7.00	12.25	.66	2.375	5.88	2-1/2	5.62	11.000	12.500	5.88	.25	14.00	5/8-11
364TS	9.00	7.00	11.25	.66	1.875	3.75	2-1/2	3.50	11.000	12.500	5.88	.25	14.00	5/8-11
365TS	9.00	7.00	12.25	.66	1.875	3.75	2-1/2	3.50	11.000	12.500	5.88	.25	14.00	5/8-11
404U	10.00	8.00	12.25	.81	2.375	7.12	3	6.88	11.000	12.500	6.62	.25	15.50	5/8-11
405U	10.00	8.00	13.75	.81	2.375	7.12	3	6.88	11.000	12.500	6.62	.25	15.50	5/8-11
404T	10.00	8.00	12.25	.81	2.875	7.25	3	7.00	11.000	12.500	6.62	.25	15.50	5/8-11
405T	10.00	8.00	13.75	.81	2.875	7.25	3	7.00	11.000	12.500	6.62	.25	15.50	5/8-11
404TS	10.00	8.00	12.25	.81	2.125	4.25	3	4.00	11.000	12.500	6.62	.25	15.50	5/8-11
405TS	10.00	8.00	13.75	.81	2.125	4.25	3	4.00	11.000	12.500	6.62	.25	15.50	5/8-11
444U	11.00	9.00	14.50	.81	2.875	8.62	3	8.38	14.000	16.000	7.50	.25	18.00	5/8-11
445U	11.00	9.00	16.50	.81	2.875	8.62	3	8.38	14.000	16.000	7.50	.25	18.00	5/8-11
444T	11.00	9.00	14.50	.81	3.375	8.50	3	8.25	14.000	16.000	7.50	.25	18.00	5/8-11
445T	11.00	9.00	16.50	.81	3.375	8.50	3	8.25	14.000	16.000	7.50	.25	18.00	5/8-11
444TS	11.00	9.00	14.50	.81	2.375	4.75	3	4.50	14.000	16.000	7.50	.25	18.00	5/8-11
445TS	11.00	9.00	16.50	.81	2.375	4.75	3	4.50	14.000	16.000	7.50	.25	18.00	5/8-11
447T	11.00	9.00	20.00	.81	3.375	8.50	3	8.25	14.000	16.000	7.50	.25	18.00	5/8-11
449T	11.00	9.00	25.00	.81	3.375	8.50	3	8.25	14.000	16.000	7.50	.25	18.00	5/8-11
447TS	11.00	9.00	20.00	.81	2.375	4.75	4 NPT	4.50	14.000	16.000	7.50	.25	18.00	5/8-11
449TS	11.00	9.00	25.00	.81	2.375	4.75	4 NPT	4.50	14.000	16.000	7.50	.25	18.00	5/8-11



LEESON Electric Corporation
Grafton, Wisconsin 53024-0241
PH: 262-377-8810
FAX: 262-377-9025

leeson.com



An American owned motor company

A Regal Brand

The logo for Regal, featuring the word "REGAL" in white, bold, italicized uppercase letters inside a dark gray trapezoidal shape.

REGAL

www.regalbeloit.com